

VIN PLATE DECODING INFORMATION

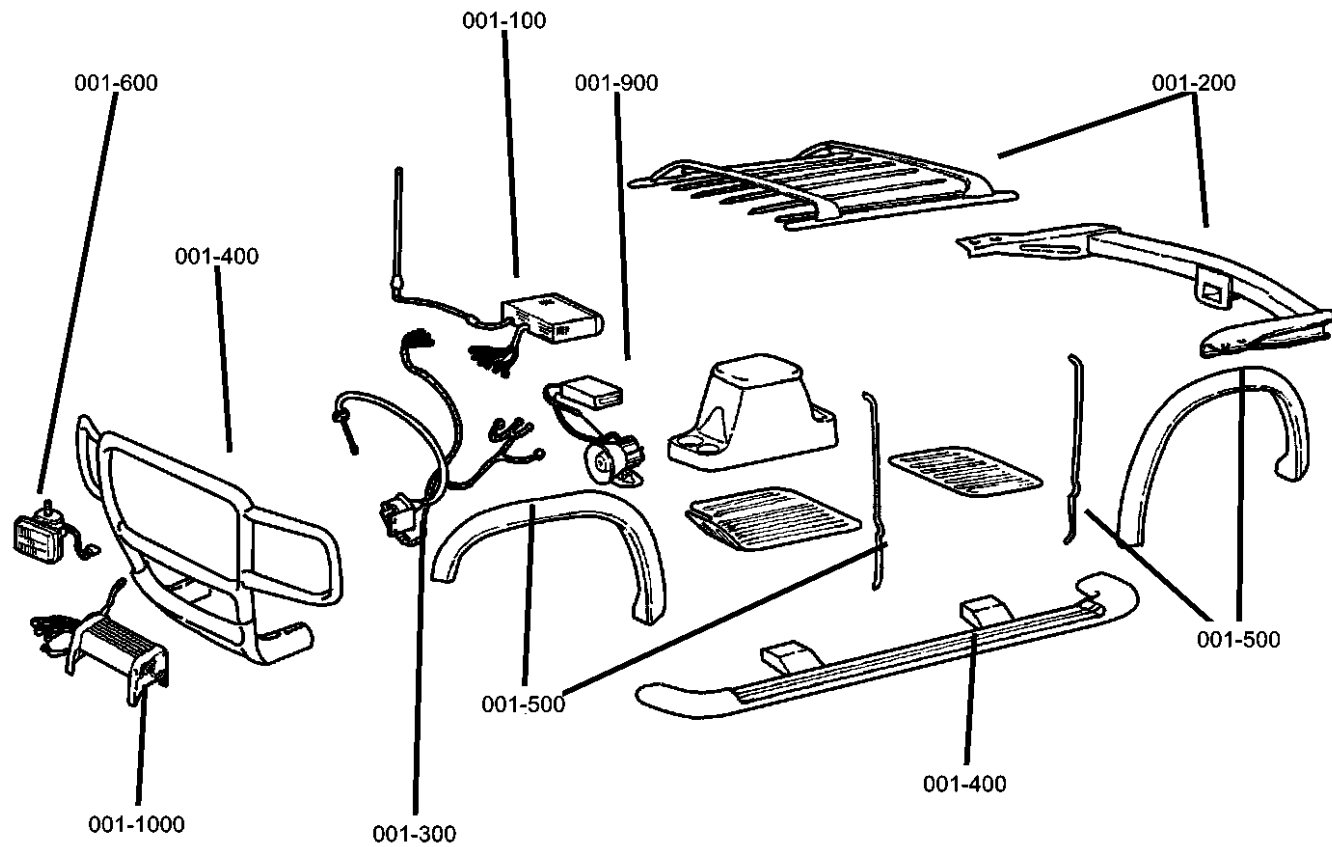
1	2	3	4	5	6	7	8	9	10	11	12 thru 17
Country	Make	Vehicle Type	Other	Line	Series	Body Style	Engine	Check Digit	Model Year	Assy. Plant	Sequence No.

The following table interprets the VIN Plate position shown above.

Position	Interpretation	Codes = Description
1	Country of Origin	1 = Manufactured By DaimlerChrysler Corporation 2 = Manufactured By DaimlerChrysler Canada Inc. 3 = Manufactured By DaimlerChrysler De Mexico
2	Assembler	J = Jeep
3	Vehicle Type	7 = Truck Less Sales Code "CGS" Side Air Bags
4	GVWR & Pass. Safety	D = 0001-3000 GVWR & Hyd. Brakes E = 3001-4000 GVWR & Hyd. Brakes F = 4001-5000 GVWR & Hyd. Brakes G = 5001-6000 GVWR & Hyd. Brakes L = 9001-10000 GVWR & Hyd. Brakes M = 10001-14000 GVWR & Hyd. Brakes H = 6001-7000 GVWR & Hyd. Brakes J = 7001-8000 GVWR & Hyd. Brakes K = 8001-9000 GVWR & Hyd. Brakes
5	Vehicle Line	G = Commander Left Hand Drive (4x4) H = Commander Left Hand Drive (4x2)
6	Series	4 = Commander 5 = Commander Limited
7	Body Style	8 = XK-74
8	Engine	K = 3.7L Magnum Gasoline N = 4.7L Magnum Gasoline 2 = 5.7L HEMI Multiple Displacement Gasoline
9	Check Digit	0 = Check Digit
10	Model Year	6 = 2006
11	Assembly Plant	C = Jefferson North Assembly
12 thru 17	Vehicle Build Sequence	Model Year Assembly Sequence

Group - 1

Component Parts for Mopar Accessories



Group - 1 Component Parts for Mopar Accessories

Illustration Title

Group-Fig. No.

Audio & Electronics

Satellite Receiver Kit.....	Fig. 1 - 110
Install Kit Satellite Receiver	Fig. 1 - 120
Navigation Kit.....	Fig. 1 - 130
Navus	Fig. 1 - 140
Rear Seat DVD Video System	Fig. 1 - 150
Backup Camera Kit	Fig. 1 - 160

Carriers & Cargo Hauling

Bike Carrier - Hitch Mount Four Bikes	Fig. 1 - 210
Bike Carrier, Hitch Mount Two Bikes.....	Fig. 1 - 220
Bike Carrier - Roof Mount- Fork.....	Fig. 1 - 230
Bike Carrier- Roof Mount -Upright	Fig. 1 - 240
Carrier Kit - Canoe	Fig. 1 - 250
Carrier Kit - Watersports	Fig. 1 - 260
Carrier Kit, Snowboard or Ski	Fig. 1 - 270
Luggage Carrier Roof Vinyl.....	Fig. 1 - 280
Carrier Kit / Luggage.....	Fig. 1 - 290

Driving Convenience


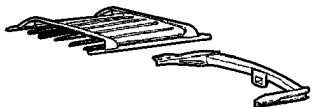

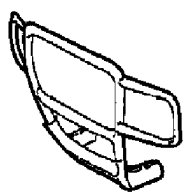

Remote Start - Installation Kit	Fig. 1 - 310
Hands Free Kit - Cellular Phone	Fig. 1 - 320

Exterior Appearance

Wheels and Caps	Fig. 1 - 410
-----------------------	--------------

Fog Lights & Electrical

Heater Kit	Fig. 1 - 610
------------------	--------------

<p>001-100 Audio & Electronics</p> 	<p>001-200 Carriers & Cargo Hauling</p> 	<p>001-300 Driving Convenience</p> 	<p>001-400 Exterior Appearance</p> 
<p>001-600 Fog Lights & Electrical</p> 			

**Satellite Receiver Kit
Figure 1-110**

ITEM	PART NUMBER	QTY	LINE	SERIES	BODY	ENGINE	TRANS	TRIM	DESCRIPTION
------	-------------	-----	------	--------	------	--------	-------	------	-------------

Note; For Warranty Repair On Item 3, Order Using Z Prefix

1	82208881AA	1							RECEIVER, Satelite
2	05091504AB	1							ANTENNA, Satelite
3	05064002AJ	1							RECEIVER, Satelite

NEW JEEP (XK)

SERIES	LINE	BODY	ENGINE	TRANSMISSION
H = HIGHLINE	T = JEEP - 2WD	74 = SPORT UTILITY 4-DR	EKG = 3.7L V6 Engine	DGQ = 5-Spd Automatic 5-45RFE
P = PREMIUM	J = JEEP - 4WD		EVA = 4.7L V8 MPI Engine	Transmission
			EZB = 5.7L Hemi Multi Displacement Engine	DGJ = 5-Speed Automatic MB Transmission

AR = use ase required - = Non illustrated part

2006 XK

**Install Kit Satellite Receiver
Figure 1-120**

ITEM	PART NUMBER	QTY	LINE	SERIES	BODY	ENGINE	TRANS	TRIM	DESCRIPTION
1	82209501	1							INSTALL KIT, Satelite Receiver
2	05159035AA	1							HARNESS, Overlay
3	05159035AA	1							BRACKET, Satellite Receiver, (NOT SERVICED)
4	05066207AB	1							CABLE, Antenna

NEW JEEP (XK)

SERIES LINE
H = HIGHLINE T = JEEP - 2WD
P = PREMIUM J = JEEP - 4WD

BODY
74 = SPORT UTILITY 4-DR

ENGINE
EKG = 3.7L V6 Engine
EVA = 4.7L V8 MPI Engine
EZB = 5.7L Hemi Multi
Displacement Engine

TRANSMISSION
DGQ = 5-Spd Automatic 5-45RFE
Transmission
DGJ = 5-Speed Automatic MB
Transmission

AR = use ase required - = Non illustrated part

2006 XK

**Navigation Kit
Figure 1-130**

ITEM	PART NUMBER	QTY	LINE	SERIES	BODY	ENGINE	TRANS	TRIM	DESCRIPTION
------	-------------	-----	------	--------	------	--------	-------	------	-------------

Note: For Warranty Repair on Item 2, Order Using Z Prefix

1	82208653AE	1							RADIO, AM/FM CD W/NAV/DVD & CD-CTRL
2	56038646AM	1							RADIO, AM/FM CD W/NAV/DVD & CD-CTRL
3	56038630AA	1							ANTENNA, GPS
4	05064033AC	1							DVD, Geographic Database
5	05161571AA	1							COVER, Radio

NEW JEEP (XK)

SERIES	LINE	BODY	ENGINE	TRANSMISSION
H = HIGHLINE	T = JEEP - 2WD	74 = SPORT UTILITY 4-DR	EKG = 3.7L V6 Engine	DGQ = 5-Spd Automatic 5-45RFE Transmission
P = PREMIUM	J = JEEP - 4WD		EVA = 4.7L V8 MPI Engine	DGJ = 5-Speed Automatic MB Transmission
			EZB = 5.7L Hemi Multi Displacement Engine	

AR = use ase required - = Non illustrated part

2006 XK

Navus
Figure 1-140

ITEM	PART NUMBER	QTY	LINE	SERIES	BODY	ENGINE	TRANS	TRIM	DESCRIPTION
1	82209521	1							NAVIGATION KIT, Vehicle
2	05175003AA	1							WIRING, Navigation Display
3	Z5175002AA	1							MODULE, Navigation Display
-4	05175839AA	1							COVER, Radio

NEW JEEP (XK)

SERIES LINE
H = HIGHLINE T = JEEP - 2WD
P = PREMIUM J = JEEP - 4WD

BODY
74 = SPORT UTILITY 4-DR

ENGINE
EKG = 3.7L V6 Engine
EVA = 4.7L V8 MPI Engine
EZB = 5.7L Hemi Multi
Displacement Engine

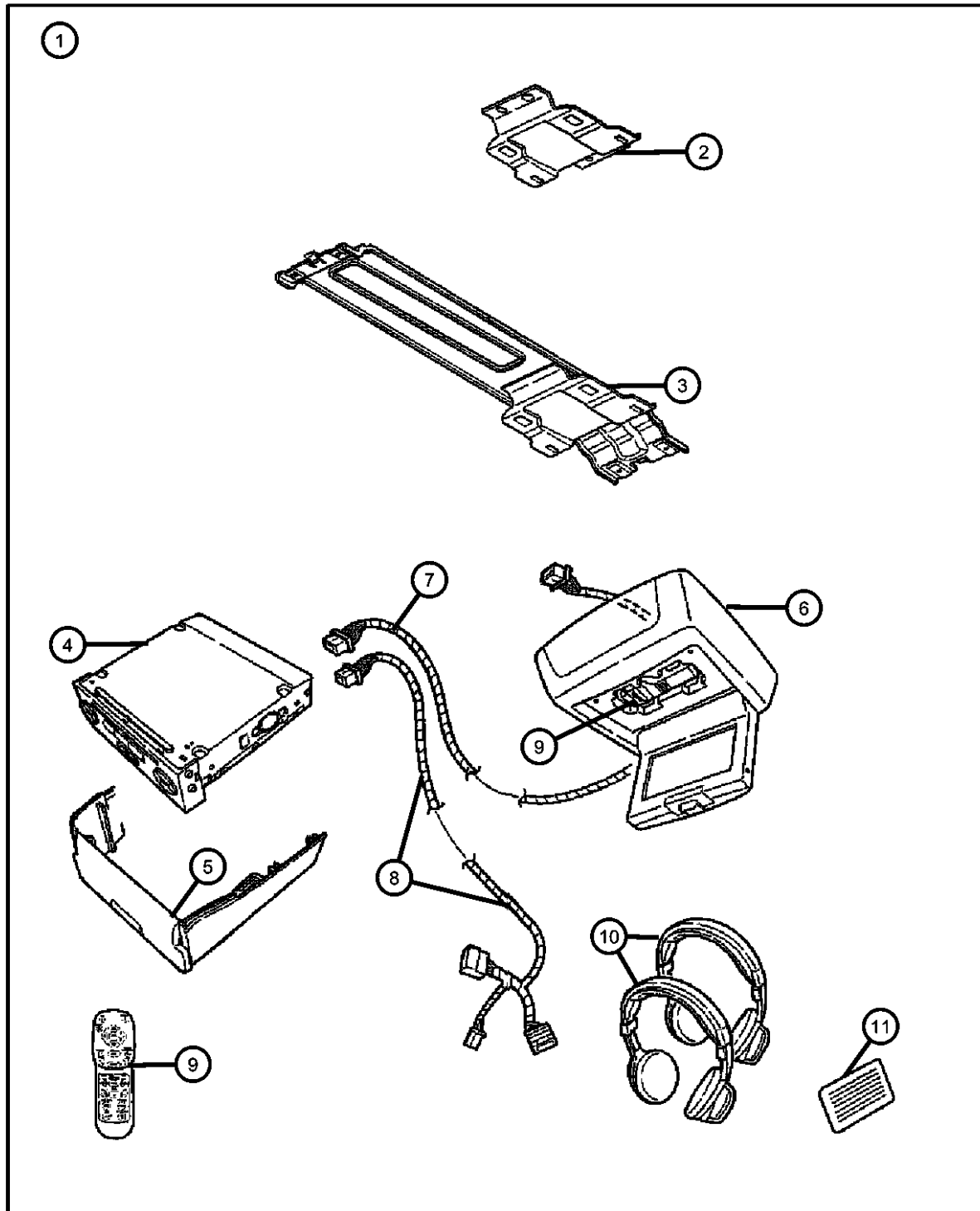
TRANSMISSION
DGQ = 5-Spd Automatic 5-45RFE
Transmission
DGJ = 5-Speed Automatic MB
Transmission

AR = use ase required - = Non illustrated part

2006 XK

**Rear Seat DVD Video System
Figure 1-150**

ITEM	PART NUMBER	QTY	LINE	SERIES	BODY	ENGINE	TRANS	TRIM	DESCRIPTION
------	-------------	-----	------	--------	------	--------	-------	------	-------------



Note; For Warranty Repair On Items 4&6, Order Using Z Prefix

1									MEDIA SYSTEM, Monitor with DVD With and Without Sunroof
	82209905AC	1							Without Sunroof
	82210259AB	1							
2	05064333AA	1							BRACKET ASSY, REAR SEAT VIDEO
3	05082098AC	1							BRACKET ASSY, REAR SEAT VIDEO
4	56038783AD	1							PLAYER, DVD
5									CAP, Floor Console End
	1BK64BD5AA	1							[D5]
	1BK64ZJ3AA	1							[J3]
	1BK64BD1AA	1							[J1]
6	56038784AF	1							MEDIA SYSTEM, Monitor with DVD
7	05166771AA	1							WIRING, DVD to Screen
8	05166772AA	1							WIRING, DVD Jumper
9	56043231AA	1							REMOTE, Wireless Infrared
10	05064037AA	1							HEADPHONES, Wireless
11	05164287AA	1							LABEL, Mercury Warning

NEW JEEP (XK)

SERIES LINE
H = HIGHLINE T = JEEP - 2WD
P = PREMIUM J = JEEP - 4WD

BODY
74 = SPORT UTILITY 4-DR

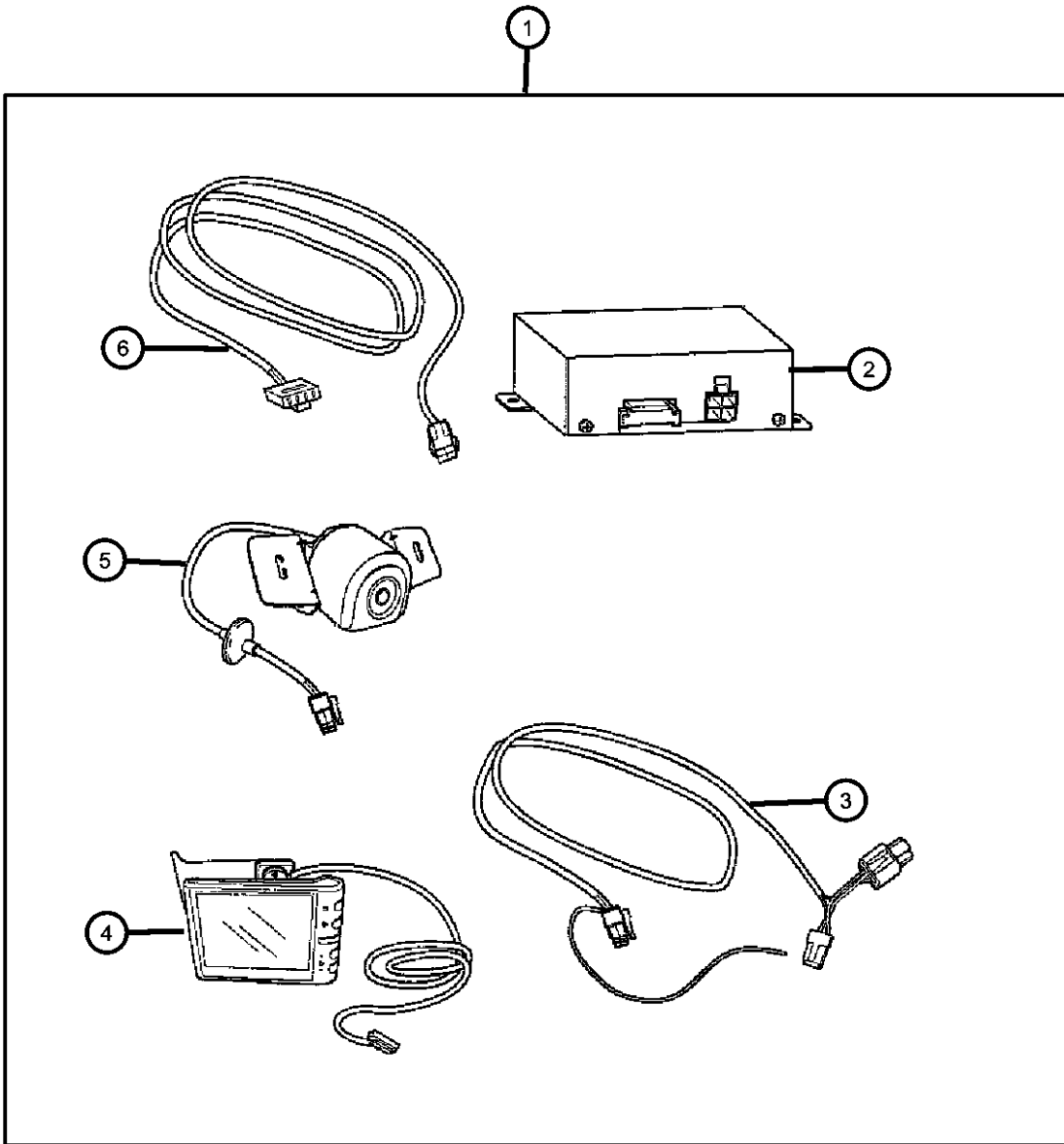
ENGINE
EKG = 3.7L V6 Engine
EVA = 4.7L V8 MPI Engine
EZB = 5.7L Hemi Multi Displacement Engine

TRANSMISSION
DGQ = 5-Spd Automatic 5-45RFE Transmission
DGJ = 5-Speed Automatic MB Transmission

AR = use ase required - = Non illustrated part

2006 XK

**Backup Camera Kit
Figure 1-160**



ITEM	PART NUMBER	QTY	LINE	SERIES	BODY	ENGINE	TRANS	TRIM	DESCRIPTION
1	82210147	1							CAMERA KIT, Back Up
2	05191903AA	1							CONTROL MODULE, Receiver
3	05191905AA	1							HARNESS, Wiring
4	05191907AA	1							MONITOR, Back Up Camera
5	05191906AA	1							CAMERA
6	05191904AA	1							HARNESS, Wiring

NEW JEEP (XK)

SERIES	LINE
H = HIGHLINE	T = JEEP - 2WD
P = PREMIUM	J = JEEP - 4WD

BODY
74 = SPORT UTILITY 4-DR

ENGINE
EKG = 3.7L V6 Engine
EVA = 4.7L V8 MPI Engine
EZB = 5.7L Hemi Multi Displacement Engine

TRANSMISSION
DGQ = 5-Spd Automatic 5-45RFE Transmission
DGJ = 5-Speed Automatic MB Transmission

AR = use ase required - = Non illustrated part

**Bike Carrier - Hitch Mount Four Bikes
Figure 1-210**

ITEM	PART NUMBER	QTY	LINE	SERIES	BODY	ENGINE	TRANS	TRIM	DESCRIPTION
Note; Requires 2 Inch Hitch Receiver									
1	82204328	1							CARRIER KIT, Bike
2	04762880	1							STRAP KIT, Velcro
3	05016775AA	1							STRAP KIT, Bike Carrier Latch
4	05016776AA	1							BOLT KIT, Security
5	05018825AA	1							HARDWARE KIT, Bike Carrier

NEW JEEP (XK)

SERIES	LINE	BODY	ENGINE	TRANSMISSION
H = HIGHLINE	T = JEEP - 2WD	74 = SPORT UTILITY 4-DR	EKG = 3.7L V6 Engine	DGQ = 5-Spd Automatic 5-45RFE
P = PREMIUM	J = JEEP - 4WD		EVA = 4.7L V8 MPI Engine	Transmission
			EZB = 5.7L Hemi Multi Displacement Engine	DGJ = 5-Speed Automatic MB Transmission

AR = use ase required - = Non illustrated part

**Bike Carrier, Hitch Mount Two Bikes
Figure 1-220**

ITEM	PART NUMBER	QTY	LINE	SERIES	BODY	ENGINE	TRANS	TRIM	DESCRIPTION
1	82204452	1							CARRIER KIT, Bike
2	04762880	1							STRAP KIT, Velcro
3	05016775AA	1							STRAP KIT, Bike Carrier Latch
4	05016776AA	1							BOLT KIT, Security
5	05018825AA	1							HARDWARE KIT, Bike Carrier

NEW JEEP (XK)

SERIES	LINE	BODY	ENGINE	TRANSMISSION
H = HIGHLINE	T = JEEP - 2WD	74 = SPORT UTILITY 4-DR	EKG = 3.7L V6 Engine	DGQ = 5-Spd Automatic 5-45RFE
P = PREMIUM	J = JEEP - 4WD		EVA = 4.7L V8 MPI Engine	Transmission
			EZB = 5.7L Hemi Multi Displacement Engine	DGJ = 5-Speed Automatic MB Transmission

AR = use ase required - = Non illustrated part

**Bike Carrier - Roof Mount- Fork
Figure 1-230**

ITEM	PART NUMBER	QTY	LINE	SERIES	BODY	ENGINE	TRANS	TRIM	DESCRIPTION
1	82207943	1							CARRIER KIT, Bike, Fork - Mount
2	05093779AA	1							HARDWARE KIT, Accessory, Contains: 2-Anchors, 1-Rr T-Slot Bar, 4-Screws, 2-Lockwashers and 4-Washers
3	05114532AA	1							STRAP, Cargo Tie Down

NEW JEEP (XK)

SERIES	LINE	BODY	ENGINE	TRANSMISSION
H = HIGHLINE	T = JEEP - 2WD	74 = SPORT UTILITY 4-DR	EKG = 3.7L V6 Engine	DGQ = 5-Spd Automatic 5-45RFE
P = PREMIUM	J = JEEP - 4WD		EVA = 4.7L V8 MPI Engine	Transmission
			EZB = 5.7L Hemi Multi Displacement Engine	DGJ = 5-Speed Automatic MB Transmission

AR = use ase required - = Non illustrated part

**Bike Carrier- Roof Mount -Upright
Figure 1-240**

ITEM	PART NUMBER	QTY	LINE	SERIES	BODY	ENGINE	TRANS	TRIM	DESCRIPTION
1	82207942	1							CARRIER KIT, Bike, Upright - Mount
2	05093779AA	1							HARDWARE KIT, Accessory, Contains: 2-Anchors, 1-RR T-Slot Bar, 4-Screws, 2- Lockwashers and 4-Washers
3	05114532AA	1							STRAP, Cargo Tie Down

NEW JEEP (XK)

SERIES	LINE	BODY	ENGINE	TRANSMISSION
H = HIGHLINE	T = JEEP - 2WD	74 = SPORT UTILITY 4-DR	EKG = 3.7L V6 Engine	DGQ = 5-Spd Automatic 5-45RFE
P = PREMIUM	J = JEEP - 4WD		EVA = 4.7L V8 MPI Engine	Transmission
			EZB = 5.7L Hemi Multi Displacement Engine	DGJ = 5-Speed Automatic MB Transmission

AR = use ase required - = Non illustrated part

**Carrier Kit - Canoe
Figure 1-250**

ITEM	PART NUMBER	QTY	LINE	SERIES	BODY	ENGINE	TRANS	TRIM	DESCRIPTION
Note; Requires Sport Utility Bar									
1	82204700	1							CARRIER KIT, Canoe
2	05093779AA	1							HARDWARE KIT, Accessory, Contains: 2-Anchor T-Slot, 1-RR T-Slot Bar, 4-Screws, 2-Lockwashers, 4-Washers
3	05166194AA	1							STRAP, Cargo Tie Down, Contains: 4 -Straps and 1-Bag

NEW JEEP (XK)

SERIES	LINE	BODY	ENGINE	TRANSMISSION
H = HIGHLINE	T = JEEP - 2WD	74 = SPORT UTILITY 4-DR	EKG = 3.7L V6 Engine	DGQ = 5-Spd Automatic 5-45RFE
P = PREMIUM	J = JEEP - 4WD		EVA = 4.7L V8 MPI Engine	Transmission
			EZB = 5.7L Hemi Multi Displacement Engine	DGJ = 5-Speed Automatic MB Transmission

AR = use ase required - = Non illustrated part

2006 XK

**Carrier Kit - Watersports
Figure 1-260**

ITEM	PART NUMBER	QTY	LINE	SERIES	BODY	ENGINE	TRANS	TRIM	DESCRIPTION
Note; Requires T-Slot Crossbar									
1	82205416	1							CARRIER KIT, Water Sports, Kayak, Surfboard, Sail Board HARDWARE KIT, Accessory, Contains: 8-Screws, 8-Washers, 4-T-Nuts STRAP, Cargo Tie Down
2	05016389AA	1							
3	05166194AA	1							

NEW JEEP (XK)

SERIES	LINE	BODY	ENGINE	TRANSMISSION
H = HIGHLINE	T = JEEP - 2WD	74 = SPORT UTILITY 4-DR	EKG = 3.7L V6 Engine	DGQ = 5-Spd Automatic 5-45RFE
P = PREMIUM	J = JEEP - 4WD		EVA = 4.7L V8 MPI Engine	Transmission
			EZB = 5.7L Hemi Multi Displacement Engine	DGJ = 5-Speed Automatic MB Transmission

AR = use ase required - = Non illustrated part

**Carrier Kit, Snowboard or Ski
Figure 1-270**

ITEM	PART NUMBER	QTY	LINE	SERIES	BODY	ENGINE	TRANS	TRIM	DESCRIPTION
1	82207308	1							CARRIER KIT, Ski
2	05093779AA	1							HARDWARE KIT, Accessory
-3	05066632AA	1							TOOL, Screw Driver

NEW JEEP (XK)

SERIES	LINE	BODY	ENGINE	TRANSMISSION
H = HIGHLINE	T = JEEP - 2WD	74 = SPORT UTILITY 4-DR	EKG = 3.7L V6 Engine	DGQ = 5-Spd Automatic 5-45RFE
P = PREMIUM	J = JEEP - 4WD		EVA = 4.7L V8 MPI Engine	Transmission
			EZB = 5.7L Hemi Multi Displacement Engine	DGJ = 5-Speed Automatic MB Transmission

AR = use ase required - = Non illustrated part

**Luggage Carrier Roof Vinyl
Figure 1-280**

ITEM	PART NUMBER	QTY	LINE	SERIES	BODY	ENGINE	TRANS	TRIM	DESCRIPTION
------	-------------	-----	------	--------	------	--------	-------	------	-------------

NOTE: Requires Roof Rack.

1	82207198	1							CARRIER KIT, Luggage
2	05066332AA	1							STRAP KIT, Luggage Carrier

NEW JEEP (XK)

SERIES	LINE	BODY	ENGINE	TRANSMISSION
H = HIGHLINE	T = JEEP - 2WD	74 = SPORT UTILITY 4-DR	EKG = 3.7L V6 Engine	DGQ = 5-Spd Automatic 5-45RFE
P = PREMIUM	J = JEEP - 4WD		EVA = 4.7L V8 MPI Engine	Transmission
			EZB = 5.7L Hemi Multi Displacement Engine	DGJ = 5-Speed Automatic MB Transmission

AR = use ase required - = Non illustrated part

2006 XK

**Carrier Kit / Luggage
Figure 1-290**

ITEM	PART NUMBER	QTY	LINE	SERIES	BODY	ENGINE	TRANS	TRIM	DESCRIPTION
Note; Requires Roof Rack									
1	82207341AB	1							CARRIER KIT, Luggage Requires Sport Bar and T-Slot Adapter
	82207353AB	1							
2	05086160AA	1							STRAP, Cargo Tie Down
3	05086159AA	1							HARDWARE KIT, Contains: 4-U-Bolts, Covers and Protective Sleeves

NEW JEEP (XK)

SERIES	LINE	BODY	ENGINE	TRANSMISSION
H = HIGHLINE	T = JEEP - 2WD	74 = SPORT UTILITY 4-DR	EKG = 3.7L V6 Engine	DGQ = 5-Spd Automatic 5-45RFE
P = PREMIUM	J = JEEP - 4WD		EVA = 4.7L V8 MPI Engine	Transmission
			EZB = 5.7L Hemi Multi Displacement Engine	DGJ = 5-Speed Automatic MB Transmission

AR = use ase required - = Non illustrated part

2006 XK

**Remote Start - Installation Kit
Figure 1-310**

ITEM	PART NUMBER	QTY	LINE	SERIES	BODY	ENGINE	TRANS	TRIM	DESCRIPTION
1	82209507AD	1							INSTALL KIT, REMOTE START
2	05140470AA	1							ANTENNA
3	05140471AA	1							ANTENNA
4	05140472AA	1							TRANSMITTER
5	05140473AD	1							SWITCH
6	05140474AA	1							LABEL
7	05140773AA	1							BATTERY, Transmitter
8	05179434AA	1							HARNESS, Wiring
9	82208859AB	1							MODULE KIT, REMOTE START
10	05140464AA	1							MODULE, Remote Start
11	05140468AA	1							MODULE

NEW JEEP (XK)

SERIES	LINE	BODY	ENGINE	TRANSMISSION
H = HIGHLINE	T = JEEP - 2WD	74 = SPORT UTILITY 4-DR	EKG = 3.7L V6 Engine	DGQ = 5-Spd Automatic 5-45RFE
P = PREMIUM	J = JEEP - 4WD		EVA = 4.7L V8 MPI Engine	Transmission
			EZB = 5.7L Hemi Multi Displacement Engine	DGJ = 5-Speed Automatic MB Transmission

AR = use ase required - = Non illustrated part

**Hands Free Kit - Cellular Phone
Figure 1-320**

ITEM	PART NUMBER	QTY	LINE	SERIES	BODY	ENGINE	TRANS	TRIM	DESCRIPTION
1	82207853AE	1							HANDS FREE KIT, Cellular Phone
2	05114359AD	1							MODULE, U Connect
3	05102026AA	1							SPEAKER, Front
4	05102025AA	1							MICROPHONE, Audio
5	05102027AA	1							CONTROLLER, Audio

NEW JEEP (XK)

SERIES LINE
H = HIGHLINE T = JEEP - 2WD
P = PREMIUM J = JEEP - 4WD

BODY
74 = SPORT UTILITY 4-DR

ENGINE
EKG = 3.7L V6 Engine
EVA = 4.7L V8 MPI Engine
EZB = 5.7L Hemi Multi
Displacement Engine

TRANSMISSION
DGQ = 5-Spd Automatic 5-45RFE
Transmission
DGJ = 5-Speed Automatic MB
Transmission

AR = use ase required - = Non illustrated part

2006 XK

**Wheels and Caps
Figure 1-410**

ITEM	PART NUMBER	QTY	LINE	SERIES	BODY	ENGINE	TRANS	TRIM	DESCRIPTION
1	52090401AA	1			74				CAP, Wheel Center
2	5KF60SZ0AA	4	J, T		74				WHEEL, Aluminum

NEW JEEP (XK)

SERIES	LINE	BODY	ENGINE	TRANSMISSION
H = HIGHLINE	T = JEEP - 2WD	74 = SPORT UTILITY 4-DR	EKG = 3.7L V6 Engine	DGQ = 5-Spd Automatic 5-45RFE
P = PREMIUM	J = JEEP - 4WD		EVA = 4.7L V8 MPI Engine	Transmission
			EZB = 5.7L Hemi Multi Displacement Engine	DGJ = 5-Speed Automatic MB Transmission

AR = use ase required - = Non illustrated part

2006 XK

**Heater Kit
Figure 1-610**

ITEM	PART NUMBER	QTY	LINE	SERIES	BODY	ENGINE	TRANS	TRIM	DESCRIPTION
1	82208937	1							HEATER PACKAGE, Engine Block
2	56044359AA	1							HEATER, Engine Block
3	04608805AC	1							CORD, Engine Block Heater
4	04641780	1							STRAP, Tie
5	06102001	1							BOLT AND WASHER, M6x12

NEW JEEP (XK)

SERIES LINE
H = HIGHLINE T = JEEP - 2WD
P = PREMIUM J = JEEP - 4WD

BODY
74 = SPORT UTILITY 4-DR

ENGINE
EKG = 3.7L V6 Engine
EVA = 4.7L V8 MPI Engine
EZB = 5.7L Hemi Multi
Displacement Engine

TRANSMISSION
DGQ = 5-Spd Automatic 5-45RFE
Transmission
DGJ = 5-Speed Automatic MB
Transmission

AR = use ase required - = Non illustrated part

2006 XK

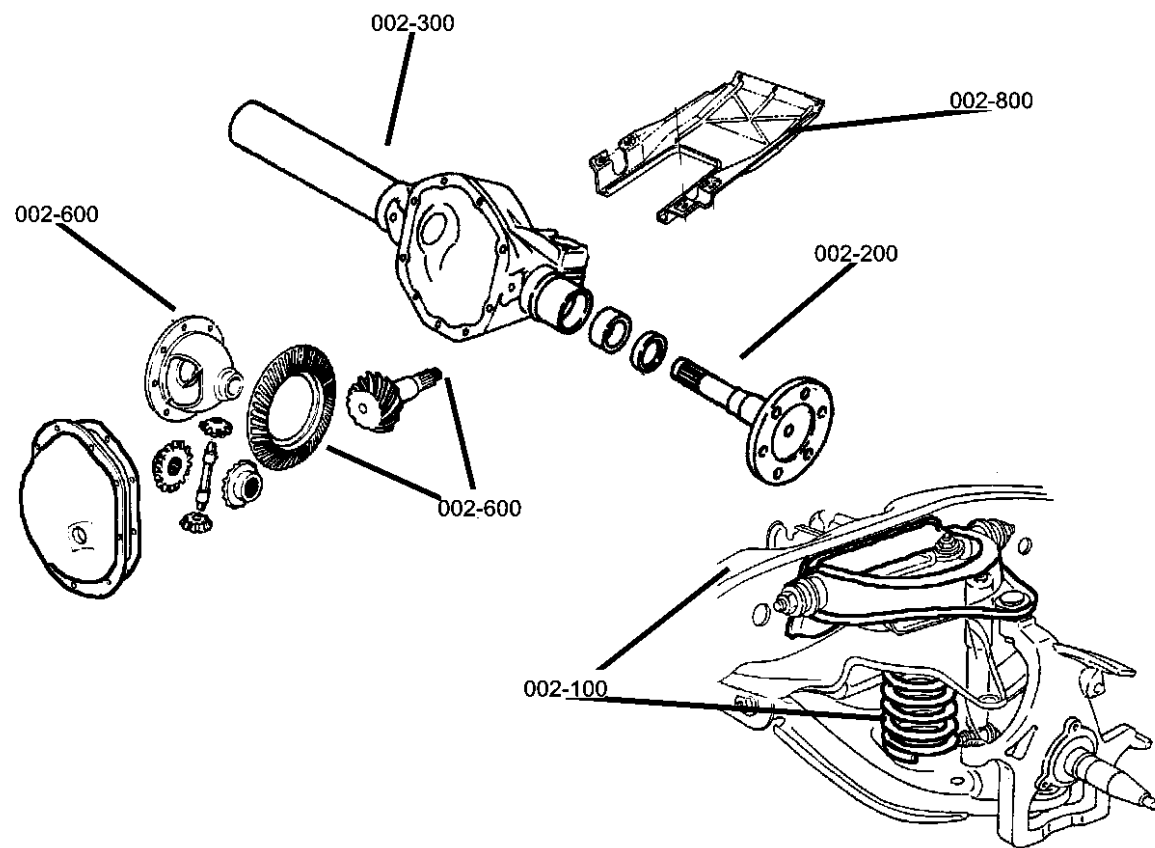
Group - 2

Front Suspension & Drive

Group - 2 Front Suspension & Drive

Illustration Title

Group-Fig. No.



Front Suspension

Suspension,Front,Springs,Control Arms and Shocks	Fig. 2 - 110
Front Stabilizer Bar.....	Fig. 2 - 120
Cradle,Front Suspension	Fig. 2 - 140

Front Axle Drive Shafts

Front Axle Shafts [DJA].....	Fig. 2 - 210
------------------------------	--------------

Front Axle Housing

Housing,Front Axle [DJA].....	Fig. 2 - 310
-------------------------------	--------------

Front Axle Assembly

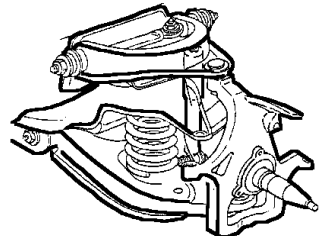
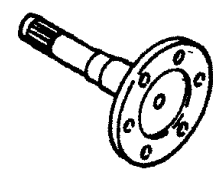
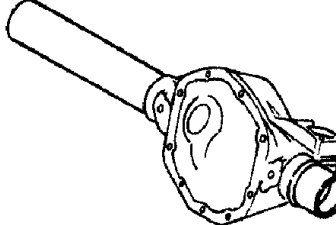
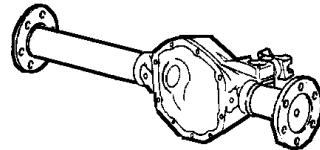
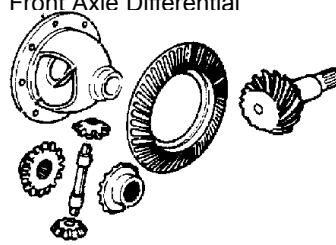
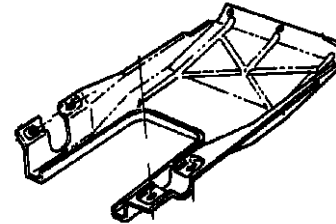
Front Axle Assembly,[DJA]	Fig. 2 - 410
---------------------------------	--------------

Front Axle Differential

Differential, Front Axle,[DJA]	Fig. 2 - 610
--------------------------------------	--------------

Front Axle Skid Plate

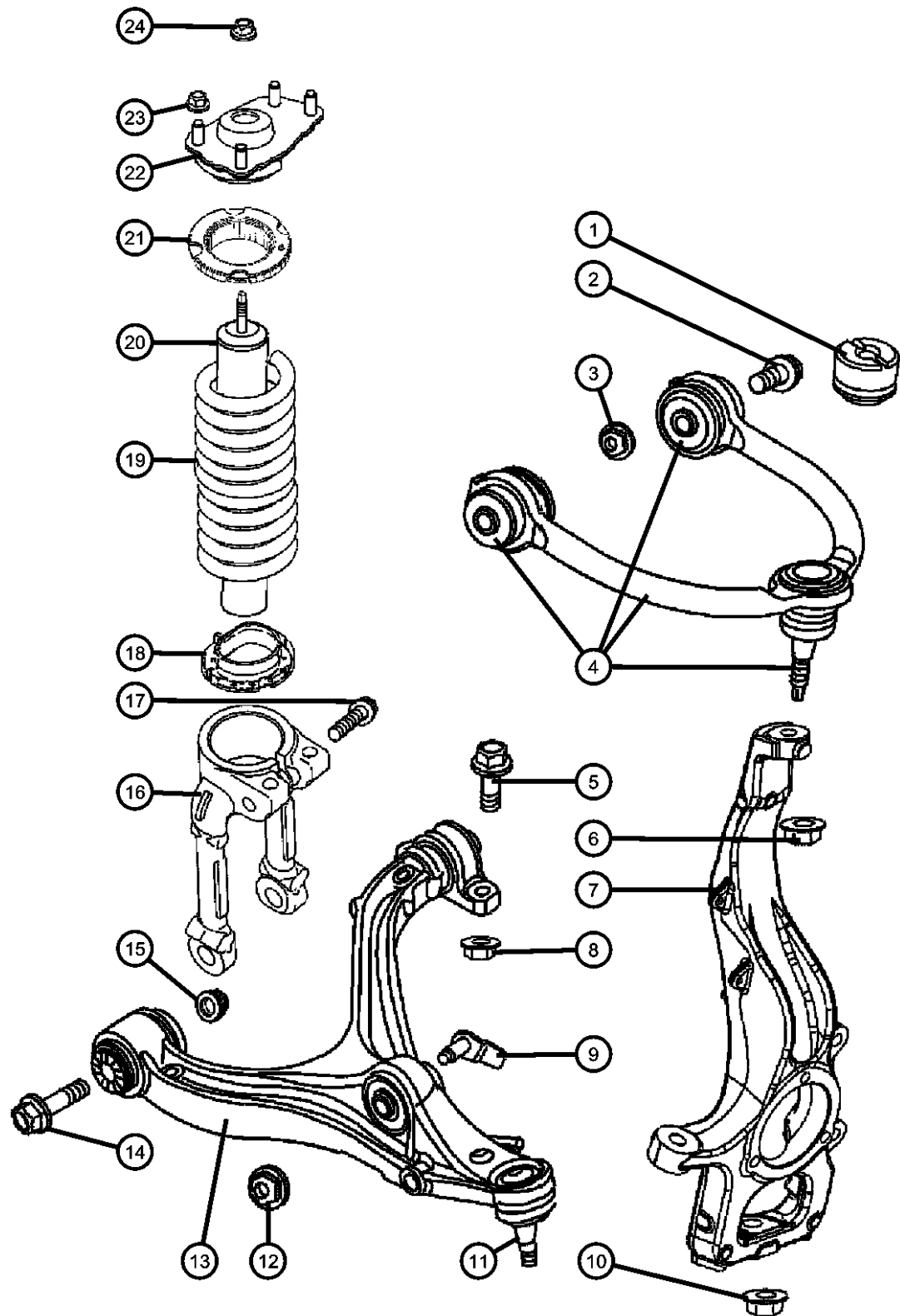
Skid Plate, Front Axle.....	Fig. 2 - 810
-----------------------------	--------------

<p>002-100 Front Suspension</p> 	<p>002-200 Front Axle Drive Shafts</p> 	<p>002-300 Front Axle Housing</p> 	<p>002-400 Front Axle Assembly</p> 
<p>002-600 Front Axle Differential</p> 	<p>002-800 Front Axle Skid Plate</p> 		

Suspension,Front,Springs,Control Arms and Shocks
Figure 2-110

ITEM	PART NUMBER	QTY	LINE	SERIES	BODY	ENGINE	TRANS	TRIM	DESCRIPTION
------	-------------	-----	------	--------	------	--------	-------	------	-------------

Note:Sales Codes;
[EK0]=Engines - All 3.7L 6 Cylinder Gas
[EV0]=Engines - ALL 4.7L Gas Engines
[ES0]=Engines - All 6 L Engines



1	52089347AA	2							BUMPER, Jounce
2	06507770AA	4							BOLT, Hex Head, UCA to Body, Mounting
3	06502697	4							NUT, Hex Flange Lock, M12x1.75, UCA to Body, Mounting
4	52090206AF	2							ARM, Control, Also Includes Item 6, Upper
5	06101984	4							BOLT, LCA to Cradle Rear, Mounting
6	06507676AA	2							NUT, Hex, UCA to Knuckle, Mounting
7									KNUCKLE, Front
	52090179AC	1							Left
	52090180AC	1							Right
8	06508257AA	4							NUT AND WASHER, LCA to Cradle Rear, Mounting
9	06503047	2							BOLT, Hex Flange Head, M16x2.00x135, Clevis, Mounting
10	06505623AA	2							NUT AND WASHER, LCA to Knuckle, Mounting
11	05135651AB	1							BALL JOINT PACKAGE, Lower Control Arm
12	06102252AA	2							NUT, Hex Flange Lock, Clevis, Mounting
13									ARM, Lower Control, Front
	52089980AD	1							Right
	52089981AD	1							Left
14	06503047	2							BOLT, Hex Flange Head, M16x2.00x135, LCA to Cradle Front, Mounting
15	06507869AA	2							NUT, Hex Flange Lock, LCA to Cradle Front
16									CLEVIS, Front
	52090476AA	1							Right
	52090477AA	1							Left
17	06502818	2							BOLT, Hex Flange Head, M14x2.00x80.00, Clevis Pinch Bolt, Mounting
18	52089330AB	2							ISOLATOR, Front Suspension SpringLower
19									SPRING, Front Coil

NEW JEEP (XK)

SERIES LINE
H = HIGHLINE T = JEEP - 2WD
P = PREMIUM J = JEEP - 4WD

BODY
74 = SPORT UTILITY 4-DR

ENGINE
EKG = 3.7L V6 Engine
EVA = 4.7L V8 MPI Engine
EZB = 5.7L Hemi Multi Displacement Engine

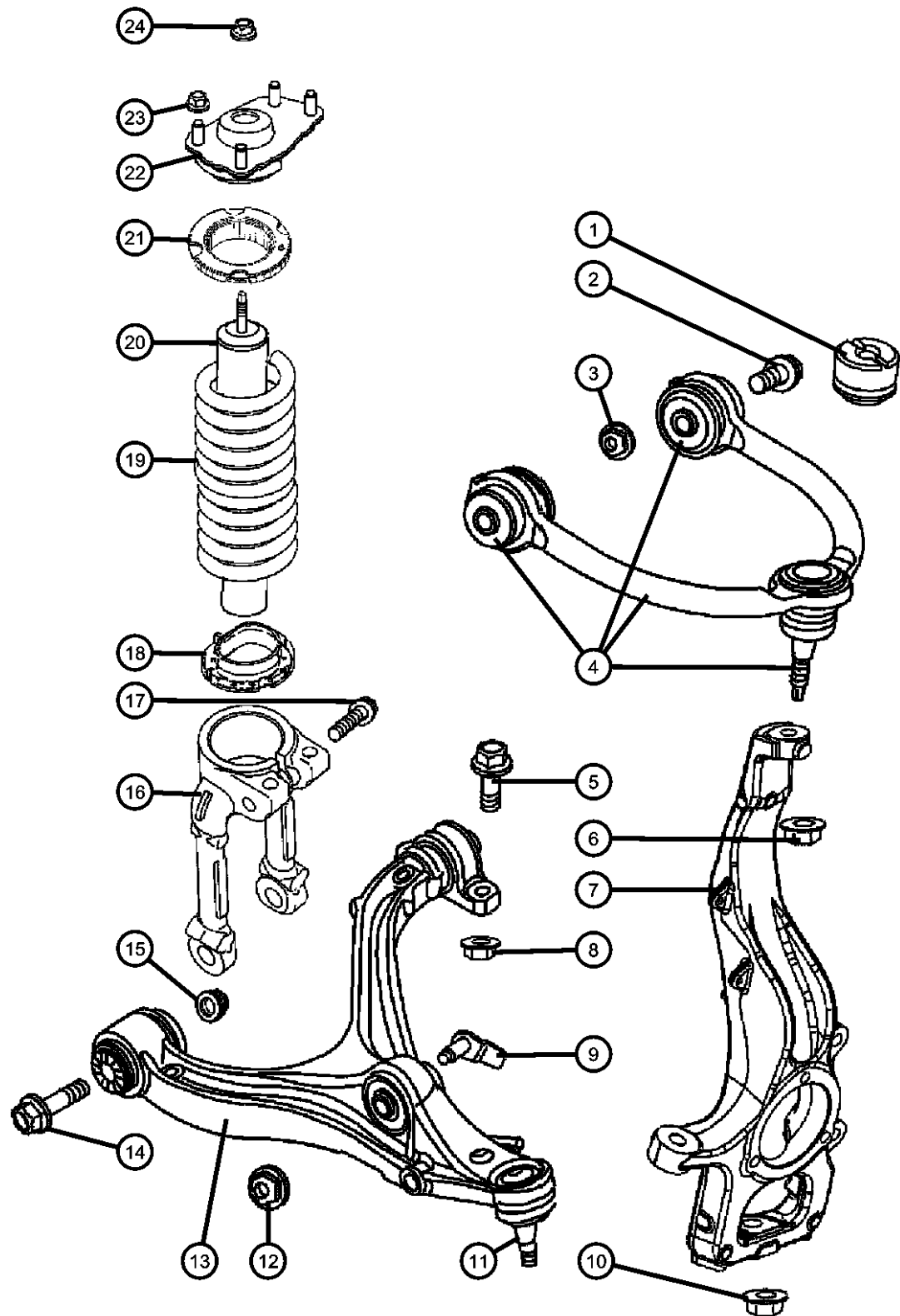
TRANSMISSION
DGQ = 5-Spd Automatic 5-45RFE Transmission
DGJ = 5-Speed Automatic MB Transmission

AR = use ase required - = Non illustrated part

2006 XK

Suspension,Front,Springs,Control Arms and Shocks
Figure 2-110

ITEM	PART NUMBER	QTY	LINE	SERIES	BODY	ENGINE	TRANS	TRIM	DESCRIPTION
	52124198AA	1							[ZDA,ZSA]
	52124199AA	1							[ZDB,ZSB]
	52124200AA	1							[ZDC,ZSC]
	52124201AA	1							[ZDD,ZSD]
	52124202AA	1							[ZDE,ZSE]
	52124203AA	1							[ZDF,ZSF]
	52124204AA	1							[ZDG,ZSG]
	52124205AA	1							[ZDH,ZSH]
	52124206AA	1							[ZDJ,ZSJ]
	52124207AA	1							[ZDK,ZSK]
	52124208AA	1							[ZDL,ZSL]
20									SHOCK ABSORBER PACKAGE, Suspension, Front
	05135577AC	2							[EV0,SDA]
	05166820AE	2							
21	52089328AC	2							ISOLATOR, Front Suspension SpringUpper
22	52089331AC	2							MOUNT, Shock Upper
23	06502697	8							NUT, Hex Flange Lock, M12x1.75
24	06507207AA	2							NUT, Shock Upper, Mounting



NEW JEEP (XK)
 SERIES LINE BODY ENGINE TRANSMISSION
 H = HIGHLINE T = JEEP - 2WD 74 = SPORT UTILITY 4-DR EKG = 3.7L V6 Engine DGQ = 5-Spd Automatic 5-45RFE
 P = PREMIUM J = JEEP - 4WD EVA = 4.7L V8 MPI Engine Transmission
 EZB = 5.7L Hemi Multi DGJ = 5-Speed Automatic MB
 Displacement Engine Transmission

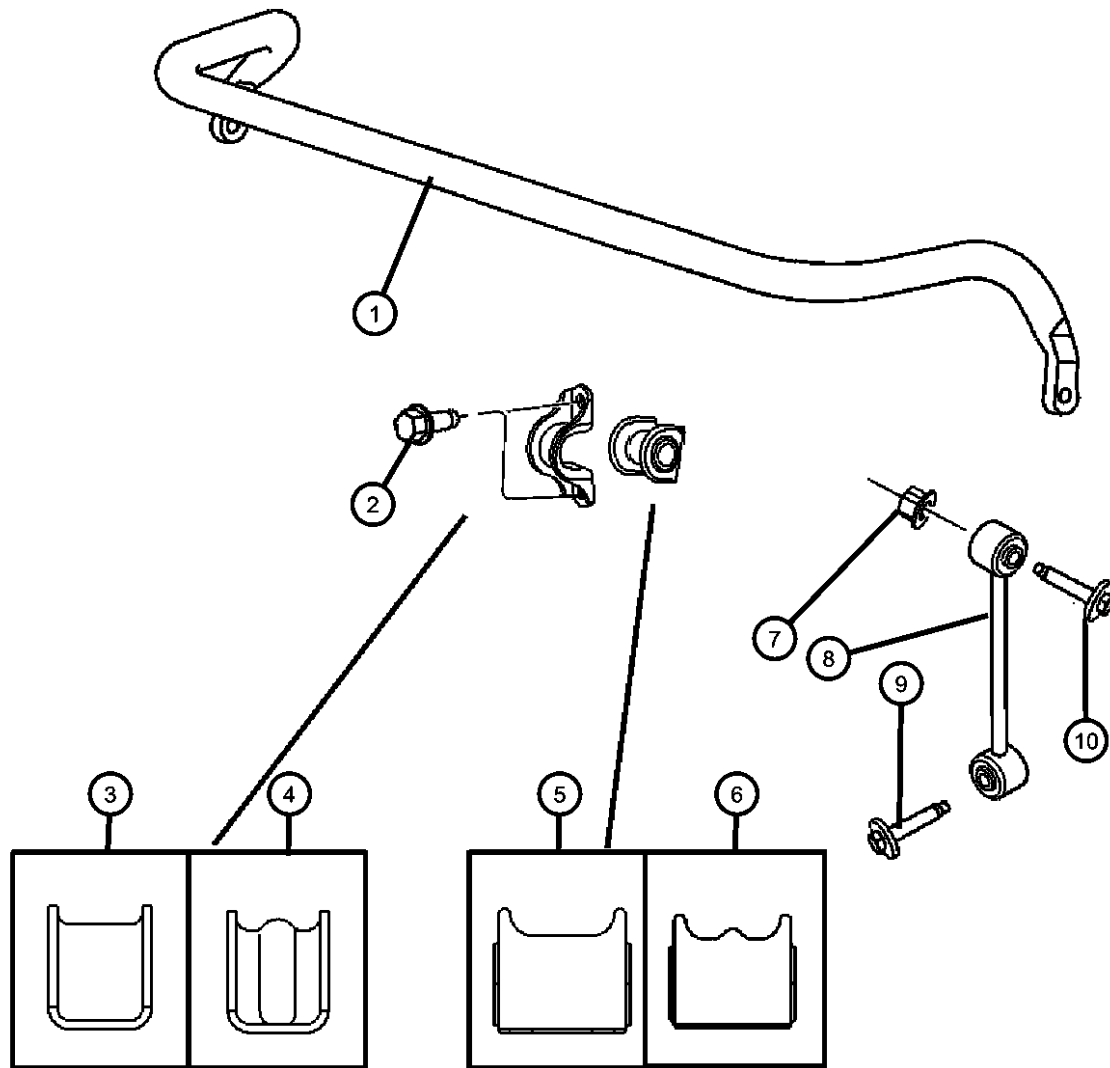
AR = use ase required - = Non illustrated part

**Front Stabilizer Bar
Figure 2-120**

ITEM	PART NUMBER	QTY	LINE	SERIES	BODY	ENGINE	TRANS	TRIM	DESCRIPTION
------	-------------	-----	------	--------	------	--------	-------	------	-------------

Note: Sales Codes:
[SDA]=Normal Duty Suspension

1	52090154AE	1							BAR, Front Sway
2	06508034AA	4							BOLT, [M14x2.00x45.0], Retainer Bracket to Cradle, Mounting
3	52090474AA	2							RETAINER, Stabilizer Bar Grommet, Without Center Bead
4	52090474AB	2							RETAINER, Stabilizer Bar Grommet, With Center Bead
5	52090155AF	2							BUSHING, Stabilizer Bar, Without Center Bead
6	52090155AG	2							BUSHING, Stabilizer Bar, With Center Bead
7	06502697	2							NUT, Hex Flange Lock, M12x1.75, Sway Bar to Link, Mounting
8	52089467AB	2							LINK, Sway Eliminator
9	06507772AA	2							BOLT, [M12x1.75x75.00], Sway Bar Link to LCA, Mounting
10	06507771AA	2							BOLT, [M12x1.75x80.00], Sway Bar to Link, Mounting



NEW JEEP (XK)

SERIES	LINE
H = HIGHLINE	T = JEEP - 2WD
P = PREMIUM	J = JEEP - 4WD

BODY
74 = SPORT UTILITY 4-DR

ENGINE
EKG = 3.7L V6 Engine
EVA = 4.7L V8 MPI Engine
EZB = 5.7L Hemi Multi Displacement Engine

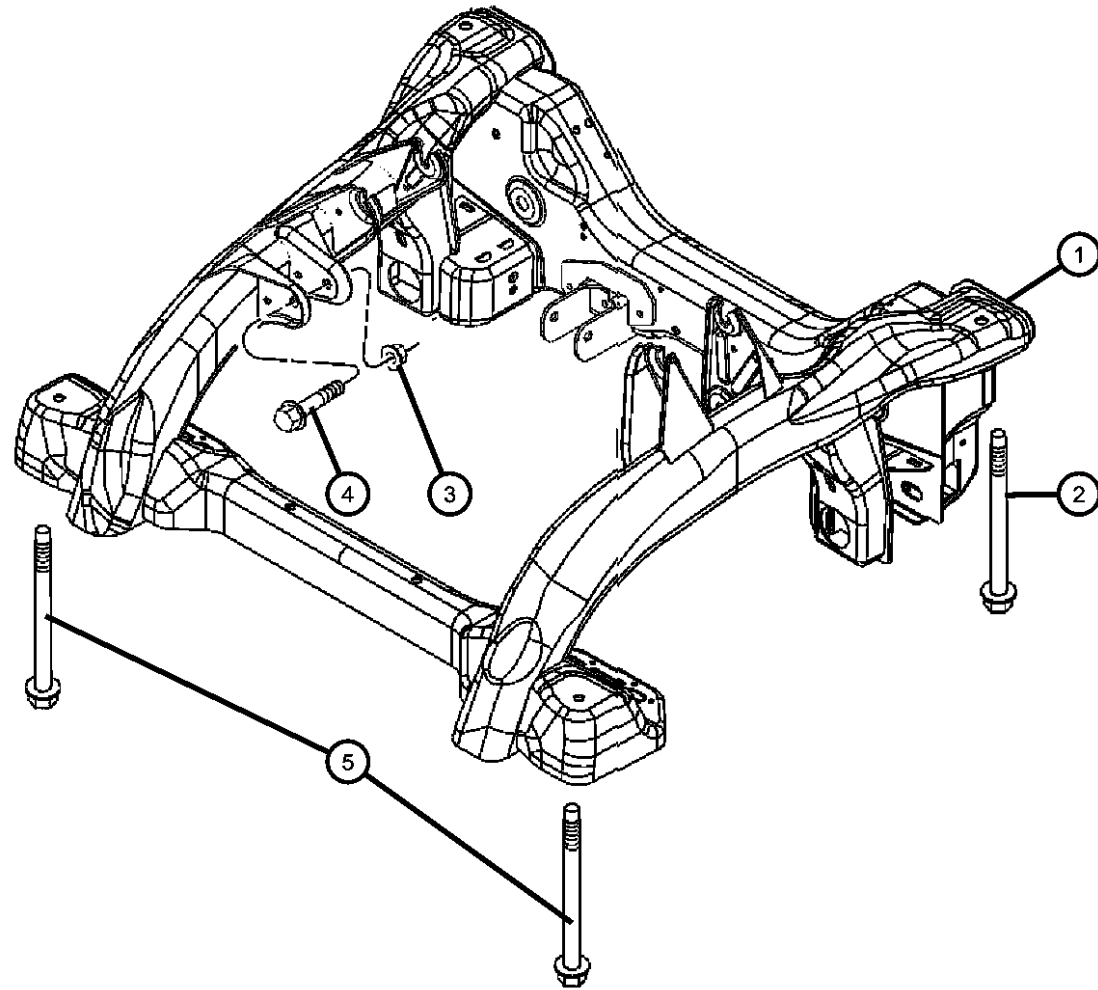
TRANSMISSION
DGQ = 5-Spd Automatic 5-45RFE Transmission
DGJ = 5-Speed Automatic MB Transmission

AR = use ase required - = Non illustrated part

2006 XK

**Cradle,Front Suspension
Figure 2-140**

ITEM	PART NUMBER	QTY	LINE	SERIES	BODY	ENGINE	TRANS	TRIM	DESCRIPTION
1	52089493AH	1							CRADLE, Front Suspension
2	06507957AA	2							BOLT, Cradle Front, Mounting
3	06502697	2	J						NUT, Hex Flange Lock, M12x1.75, Front Differential Bushing to Cradle, Mounting
4	06507770AA	2	J						BOLT, Hex Head, Front Differential Bushing to Cradle, Mounting
5	06507958AA	2							BOLT, Cradle Rear, Mounting



NEW JEEP (XK)

SERIES	LINE
H = HIGHLINE	T = JEEP - 2WD
P = PREMIUM	J = JEEP - 4WD

BODY
74 = SPORT UTILITY 4-DR

ENGINE
EKG = 3.7L V6 Engine
EVA = 4.7L V8 MPI Engine
EZB = 5.7L Hemi Multi Displacement Engine

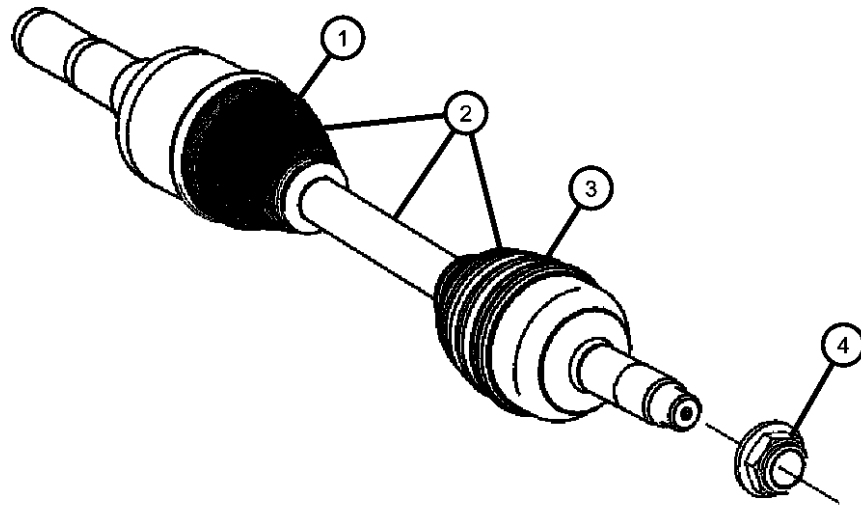
TRANSMISSION
DGQ = 5-Spd Automatic 5-45RFE Transmission
DGJ = 5-Speed Automatic MB Transmission

AR = use ase required - = Non illustrated part

2006 XK

**Front Axle Shafts [DJA]
Figure 2-210**

ITEM	PART NUMBER	QTY	LINE	SERIES	BODY	ENGINE	TRANS	TRIM	DESCRIPTION
Note:Sales Codes; [DJA]=Axle - Front,200MM [DSG]=Axle - Electric Limited Slip Differential,Front [DS7]=Conventional Differential Front Axle									
1	05140758AA	1	J						BOOT KIT, Half Shaft, InnerRight or Left
2									SHAFT, Axle Half
	52104590AA	1	J						Right
	52104591AB	1	J						Without [DSG], Left
	52104701AB	1	J						With [DSG], Left
3	05140759AA	1	J						BOOT KIT, Half Shaft, OuterRight or Left
4	06506454AA	2	J						NUT, Hex



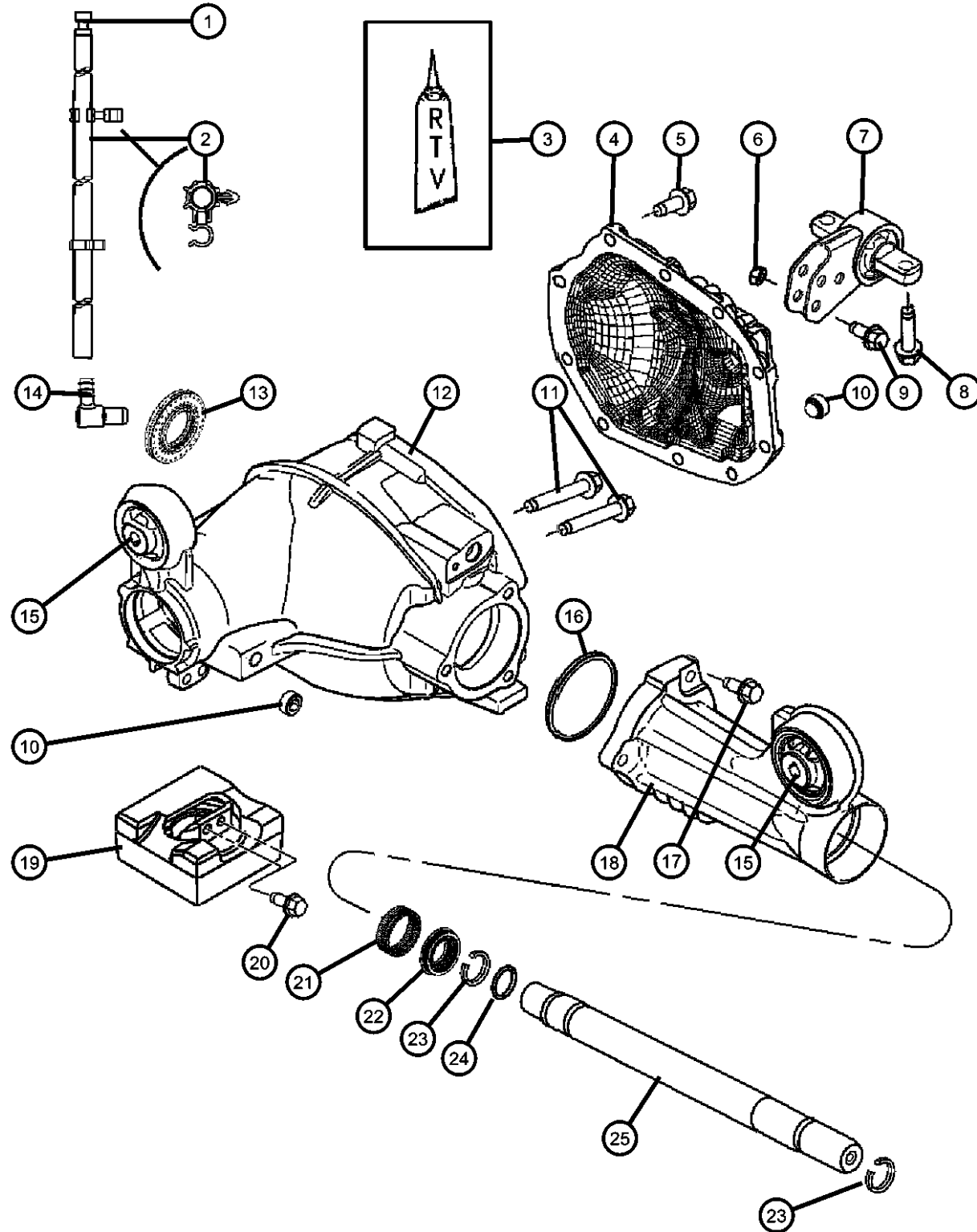
NEW JEEP (XK)

SERIES	LINE	BODY	ENGINE	TRANSMISSION
H = HIGHLINE	T = JEEP - 2WD	74 = SPORT UTILITY 4-DR	EKG = 3.7L V6 Engine	DGQ = 5-Spd Automatic 5-45RFE Transmission
P = PREMIUM	J = JEEP - 4WD		EVA = 4.7L V8 MPI Engine	DGJ = 5-Speed Automatic MB Transmission
			EZB = 5.7L Hemi Multi Displacement Engine	

AR = use ase required - = Non illustrated part

2006 XK

Housing,Front Axle [DJA]
Figure 2-310



ITEM	PART NUMBER	QTY	LINE	SERIES	BODY	ENGINE	TRANS	TRIM	DESCRIPTION
Note:Sales Codes; [DJA]=Axle - Front,200MM [DME]=Axle Ratio 3.73 [DMM]=Axle Ratio 3.07 [DSG]=Axle - Electric Limited Slip Differential,Front									
1	52104552AC	1	J						VENT, Axle
2	52114148AC	1	J						HOSE, Axle Vent
3	05010884AA	1	J						SEALANT, RTV
4	52111342AC	1	J						COVER, Differential Without [DSG]
	52111964AC	1	J						With [DSG]
5	06507903AA	10	J						BOLT, Differential Cover With [DSG], Mounting
		8	J						Without [DSG], Mounting
6	06104718AA	3	J						NUT, Axle Bracket, Mounting
7	52114354AA	1	J						BRACKET, Mounting, Axle
8	06508159AA	2	J						BOLT, Differential Dogbone to Cradle, Mounting
9	06104237AA	3	J						BOLT, Axle Bracket, Mounting
10	05097712AB	1	J						PLUG, Oil Drain
11	03432695	2	J						SCREW, Hex Head, .50-13x2.38, Carrier Cap-With [DSG] Only, Mounting
12	52114326AA	1	J						HOUSING, Axle With [DSG] Includes 9,10,14
	52114331AA	1	J						Without [DSG] Includes 9,13,14,
13	52111338AC	1	J						SEAL, Axle Drive Shaft
14	52114325AA	1	J						VENT, Axle
15	52089516AB	1	J						ISOLATOR, Axle Mounting
16	52114079AA	1	J						O RING, Axle Housing Tube to Axle Housing, Mounting
17	06507903AA	3	J						BOLT, Differential Cover, Axle Housing Tube to Axle Housing, Mounting
18	52111343AC	1	J						TUBE, Axle Housing Without [DSG]
	52111966AC	1	J						With [DSG]
19	52114554AB	1	J						DAMPER, Axle [DMD,DME]

NEW JEEP (XK)

SERIES LINE
H = HIGHLINE T = JEEP - 2WD
P = PREMIUM J = JEEP - 4WD

BODY
74 = SPORT UTILITY 4-DR

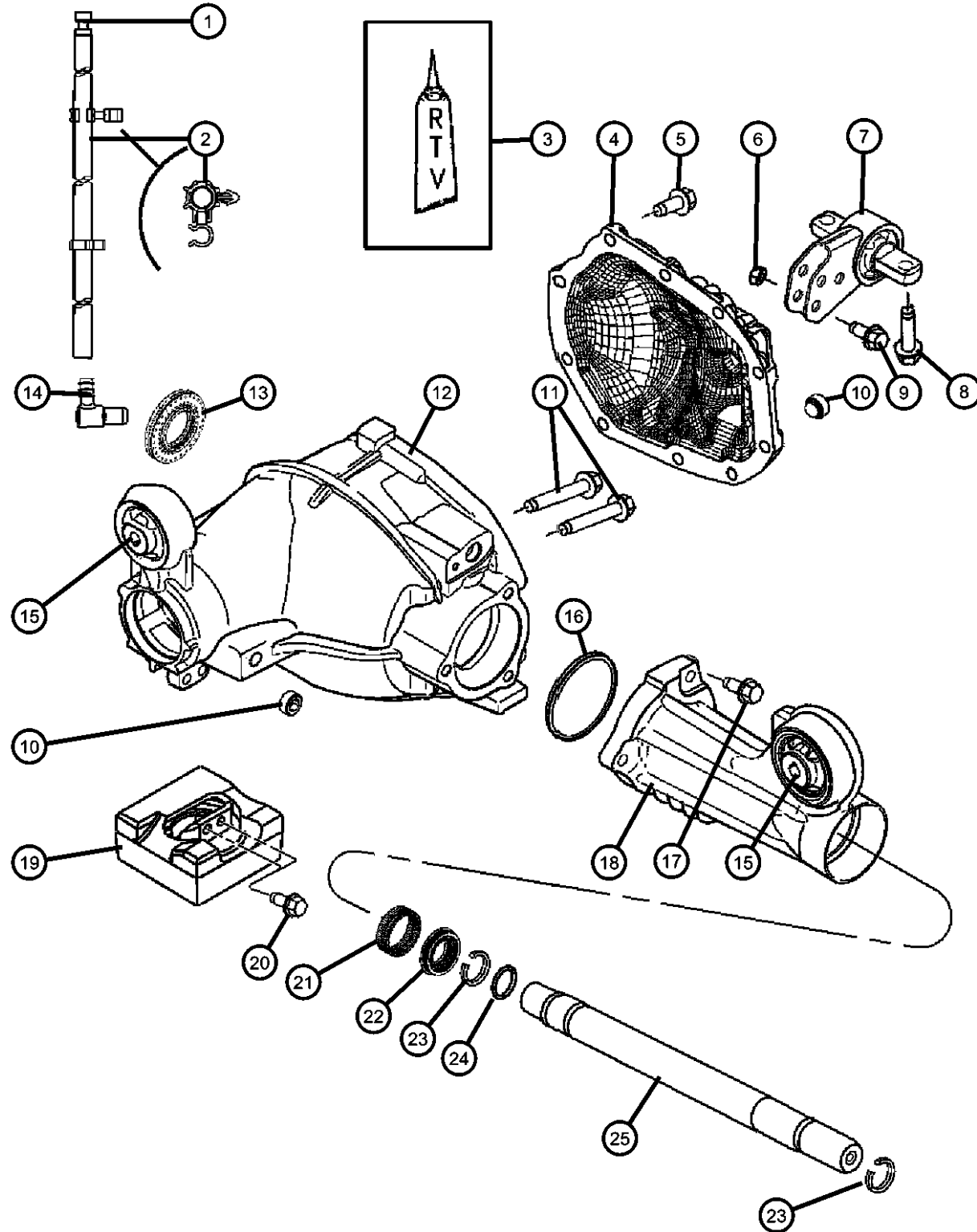
ENGINE
EKG = 3.7L V6 Engine
EVA = 4.7L V8 MPI Engine
EZB = 5.7L Hemi Multi
Displacement Engine

TRANSMISSION
DGQ = 5-Spd Automatic 5-45RFE
Transmission
DGJ = 5-Speed Automatic MB
Transmission

AR = use ase required - = Non illustrated part

2006 XK

Housing,Front Axle [DJA]
Figure 2-310



ITEM	PART NUMBER	QTY	LINE	SERIES	BODY	ENGINE	TRANS	TRIM	DESCRIPTION
	52114561AB	1	J						[DMM]
20	06508346AA	2	J						BOLT, Axle Damper, Mounting
21	52111167AA	1	J						BUSHING, Axle Shaft
22	52069706AB	1	J						SEAL, Axle Drive Shaft
23	52069710AB	2	J						SNAP RING, Axle Shaft
24	52069888AB	1	J						O RING, Shaft Disconnect
25									SHAFT, Axle
	52111347AB	1	J						Without [DSG]
	52111969AC	1	J						With [DSG]

NEW JEEP (XK)

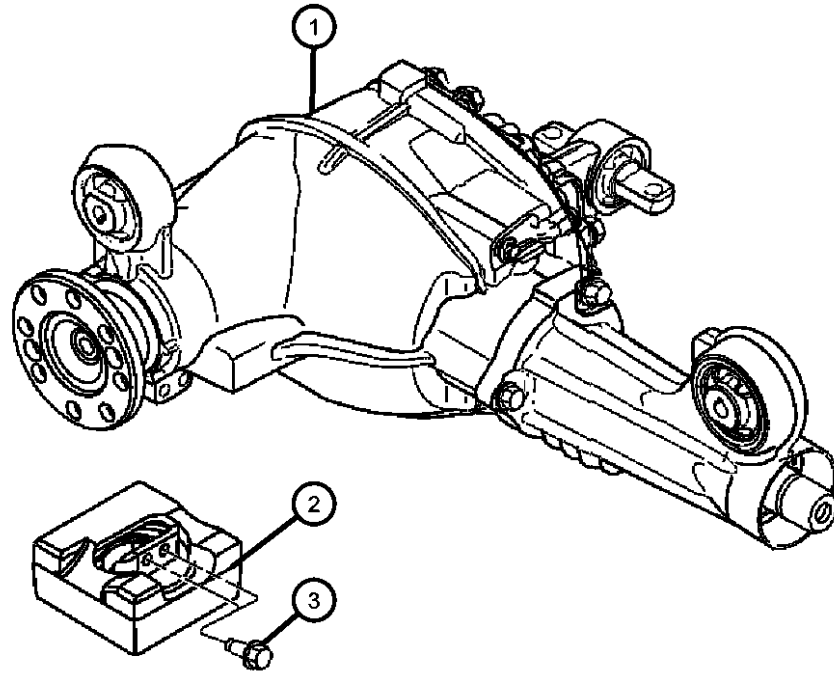
SERIES	LINE	BODY	ENGINE	TRANSMISSION
H = HIGHLINE	T = JEEP - 2WD	74 = SPORT UTILITY 4-DR	EKG = 3.7L V6 Engine	DGQ = 5-Spd Automatic 5-45RFE
P = PREMIUM	J = JEEP - 4WD		EVA = 4.7L V8 MPI Engine	Transmission
			EZB = 5.7L Hemi Multi Displacement Engine	DGJ = 5-Speed Automatic MB Transmission

AR = use ase required - = Non illustrated part

**Front Axle Assembly,[DJA]
Figure 2-410**

ITEM	PART NUMBER	QTY	LINE	SERIES	BODY	ENGINE	TRANS	TRIM	DESCRIPTION
------	-------------	-----	------	--------	------	--------	-------	------	-------------

Note:Sales Codes;
[DJA]=Axle - Front,200MM
[DMD]=Axle Ratio 3.55
[DME]=Axle Ratio 3.73
[DMM]=Axle Ratio 3.07
[DSG]=Axle - Electric Limited Slip Differential,Front
[DS7]=Axle-Conventional Differential,Front



1	52111369AC 04874469 68003055AA	1	J						AXLE, Service Front [DME,DS7] Mopar SAE 75W-140 Synthetic Gear and Axle Lube Quart Mopar SAE 75W-140 Synthetic Gear and Axle Lube 16 Gallon Keg
	52111936AC 04874469 68003055AA	1	J						[DME,DSG] Mopar SAE 75W-140 Synthetic Gear and Axle Lube Quart Mopar SAE 75W-140 Synthetic Gear and Axle Lube 16 Gallon Keg
	52111938AC 04874469 68003055AA	1	J						[DMM] Mopar SAE 75W-140 Synthetic Gear and Axle Lube Quart Mopar SAE 75W-140 Synthetic Gear and Axle Lube 16 Gallon Keg
	52114728AB 04874469 68003055AA	1	J						[DMD] Mopar SAE 75W-140 Synthetic Gear and Axle Lube Quart Mopar SAE 75W-140 Synthetic Gear and Axle Lube 16 Gallon Keg
2	52114554AB 52114561AB	1 1	J J						DAMPER, Axle [DME] [DMD,DMM]
3	06508346AA	2	J						BOLT, Axle Damper, Mounting

NEW JEEP (XK)

SERIES LINE
H = HIGHLINE T = JEEP - 2WD
P = PREMIUM J = JEEP - 4WD

BODY
74 = SPORT UTILITY 4-DR

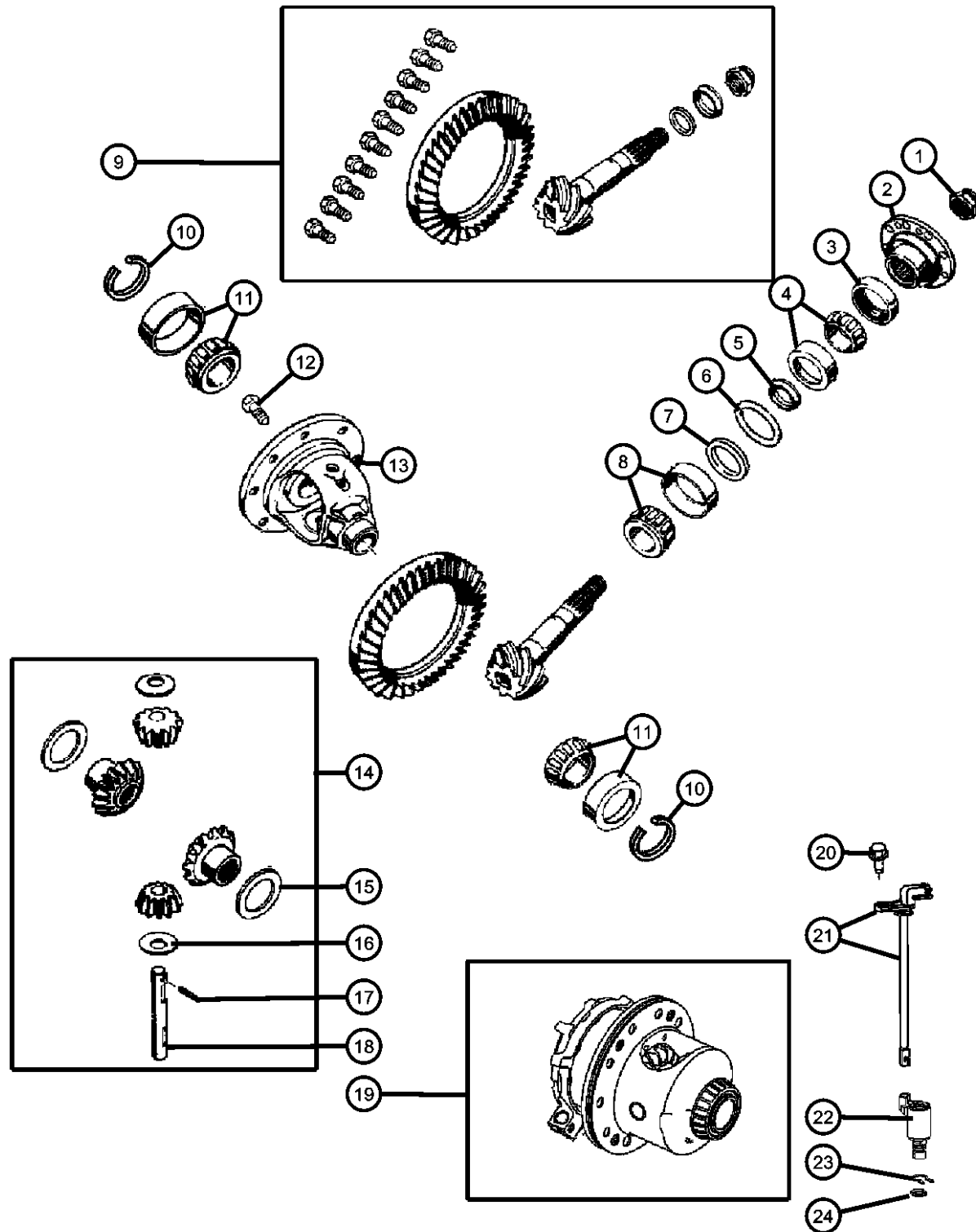
ENGINE
EKG = 3.7L V6 Engine
EVA = 4.7L V8 MPI Engine
EZB = 5.7L Hemi Multi Displacement Engine

TRANSMISSION
DGQ = 5-Spd Automatic 5-45RFE Transmission
DGJ = 5-Speed Automatic MB Transmission

AR = use ase required - = Non illustrated part

2006 XK

Differential, Front Axle,[DJA]
Figure 2-610



ITEM	PART NUMBER	QTY	LINE	SERIES	BODY	ENGINE	TRANS	TRIM	DESCRIPTION
------	-------------	-----	------	--------	------	--------	-------	------	-------------

Note:Sales Codes;
[DJA]=Axle - Front,200MM
[DMD]=Axle Ratio 3.55
[DME]=Axle Ratio 3.73
[DMM]=Axle Ratio 3.07
[DSG]=Axle - Electric Limited Slip Differential,Front
[DS7]=Axle-Conventional Differential,Front

1	06507901AA	1	J						NUT, Hex
2	52111954AB	1	J						FLANGE, Driveshaft Yoke
3	52111953AC	1	J						SEAL, Drive Pinion
4	05135674AA	1	J						BEARING, Drive Pinion, Bearing and Cup, Front
5	52111336AA	1	J						SPACER, Drive Pinion Bearing, Crush
6									SHIM, Drive Pinion Bearing
	52111254AA	1	J						[6.38MM]
	52111255AA	1	J						[6.36MM]
	52111256AA	1	J						[6.34MM]
	52111257AA	1	J						[6.32MM]
	52111258AA	1	J						[6.30MM]
	52111259AA	1	J						[6.28MM]
	52111260AA	1	J						[6.26MM]
	52111261AA	1	J						[6.24MM]
	52111262AA	1	J						[6.22MM]
	52111263AA	1	J						[6.20MM]
	52111264AA	1	J						[6.18MM]
	52111265AA	1	J						[6.16MM]
	52111266AA	1	J						[6.14MM]
	52111267AA	1	J						[6.12MM]
	52111270AA	1	J						[6.10MM]
	52111271AA	1	J						[6.08MM]
	52111272AA	1	J						[6.06MM]
	52111273AA	1	J						[6.04MM]
	52111274AA	1	J						[6.02MM]
	52111275AA	1	J						[6.00MM]
	52111276AA	1	J						[5.98MM]
	52111277AA	1	J						[5.96MM]
	52111278AA	1	J						[5.94MM]

NEW JEEP (XK)

SERIES LINE
H = HIGHLINE T = JEEP - 2WD
P = PREMIUM J = JEEP - 4WD

BODY
74 = SPORT UTILITY 4-DR

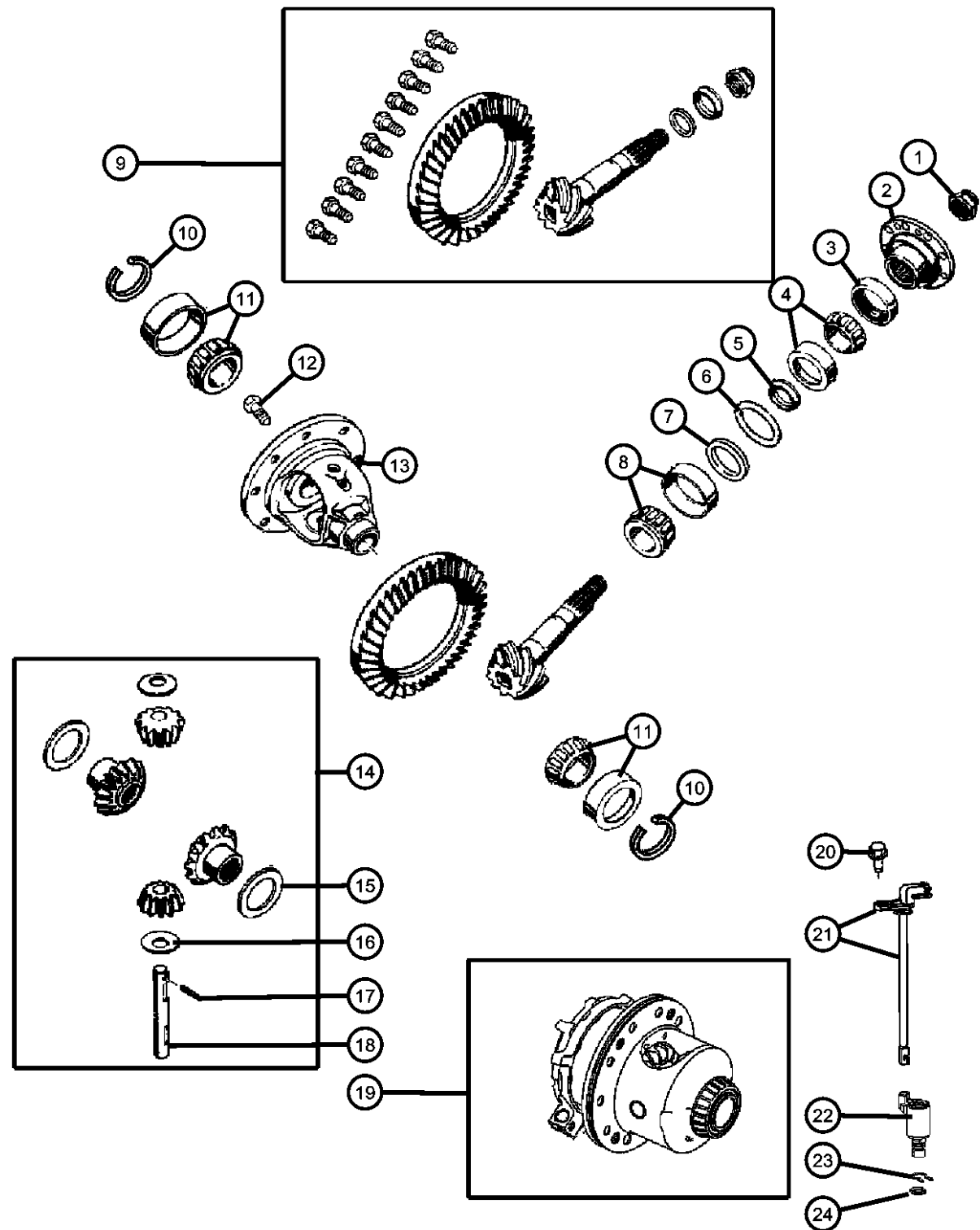
ENGINE
EKG = 3.7L V6 Engine
EVA = 4.7L V8 MPI Engine
EZB = 5.7L Hemi Multi Displacement Engine

TRANSMISSION
DGQ = 5-Spd Automatic 5-45RFE Transmission
DGJ = 5-Speed Automatic MB Transmission

AR = use ase required - = Non illustrated part

2006 XK

Differential, Front Axle,[DJA]
Figure 2-610



ITEM	PART NUMBER	QTY	LINE	SERIES	BODY	ENGINE	TRANS	TRIM	DESCRIPTION
	52111279AA	1	J						[5.92MM]
	52111280AA	1	J						[5.90MM]
	52111281AA	1	J						[5.88MM]
	52111282AA	1	J						[5.86MM]
	52111283AA	1	J						[5.84MM]
	52111284AA	1	J						[5.82MM]
	52111285AA	1	J						[5.80MM]
	52111286AA	1	J						[5.78MM]
	52111287AA	1	J						[5.76MM]
	52111288AA	1	J						[5.74MM]
	52111289AA	1	J						[5.72MM]
	52111290AA	1	J						[5.70MM]
	52111291AA	1	J						[5.68MM]
	52111292AA	1	J						[5.66MM]
	52111293AA	1	J						[5.64MM]
	52111294AA	1	J						[5.62MM]
	52111295AA	1	J						[5.60MM]
	52111296AA	1	J						[5.58MM]
	52111297AA	1	J						[5.56MM]
	52111298AA	1	J						[5.54MM]
	52111299AA	1	J						[5.52MM]
	52111300AA	1	J						[5.50MM]
	52111301AA	1	J						[5.48MM]
	52111302AA	1	J						[5.46MM]
	52111303AA	1	J						[5.44MM]
	52111304AA	1	J						[5.42MM]
	52111305AA	1	J						[5.40MM]
	52111306AA	1	J						[5.38MM]
	52111307AA	1	J						[5.36MM]
	52111308AA	1	J						[5.34MM]
	52111309AA	1	J						[5.32MM]
	52111310AA	1	J						[5.30MM]
	52111315AA	1	J						[5.28MM]
	52111316AA	1	J						[5.26MM]

NEW JEEP (XK)

SERIES LINE
H = HIGHLINE T = JEEP - 2WD
P = PREMIUM J = JEEP - 4WD

BODY
74 = SPORT UTILITY 4-DR

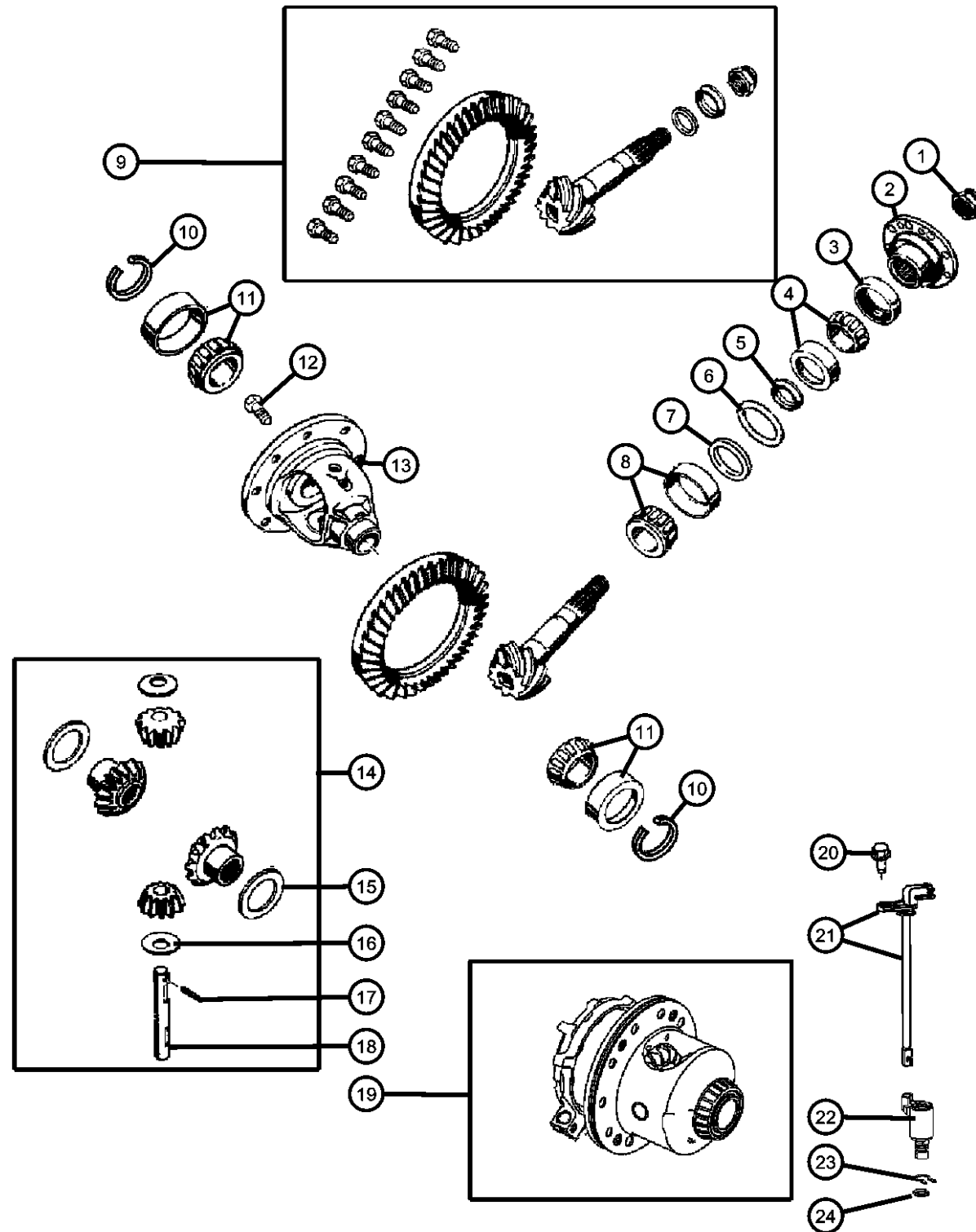
ENGINE
EKG = 3.7L V6 Engine
EVA = 4.7L V8 MPI Engine
EZB = 5.7L Hemi Multi
Displacement Engine

TRANSMISSION
DGQ = 5-Spd Automatic 5-45RFE
Transmission
DGJ = 5-Speed Automatic MB
Transmission

AR = use ase required - = Non illustrated part

2006 XK

Differential, Front Axle,[DJA]
Figure 2-610



ITEM	PART NUMBER	QTY	LINE	SERIES	BODY	ENGINE	TRANS	TRIM	DESCRIPTION
	52111317AA	1	J						[5.24MM]
	52111318AA	1	J						[5.22MM]
	52111319AA	1	J						[5.20MM]
	52111320AA	1	J						[5.18MM]
	52111321AA	1	J						[5.16MM]
	52111322AA	1	J						[5.14MM]
	52111323AA	1	J						[5.12MM]
	52111324AA	1	J						[5.10MM]
	52111325AA	1	J						[5.08MM]
	52111326AA	1	J						[5.06MM]
	52111327AA	1	J						[5.04MM]
	52111328AA	1	J						[5.02MM]
	52111330AA	1	J						[5.00MM]
	52111331AA	1	J						[4.98MM]
	52111332AA	1	J						[4.96MM]
	52111333AA	1	J						[4.94MM]
	52111334AA	1	J						[4.92MM]
	52111335AA	1	J						[4.90MM]
7	52111356AA	1	J						RING, Pinion Spacer
8	05135673AA	1	J						BEARING, Drive Pinion, Bearing and Cup, Rear
9									GEAR KIT, Ring And Pinion
	05135661AB	1	J						[DME]
	05135691AB	1	J						[DMM]
	05135939AB	1	J		74				[DMD]
10									RETAINING RING/SHIM, Differential Bearing
	52111230AA	1	J						[3.60MM]
	52111231AA	1	J						[3.62MM]
	52111232AA	1	J						[3.64MM]
	52111233AA	1	J						[3.66MM]
	52111234AA	1	J						[3.68MM]
	52111235AA	1	J						[3.70MM]
	52111236AA	1	J						[3.72MM]
	52111238AA	1	J						[3.76MM]
	52111239AA	1	J						[3.78MM]

NEW JEEP (XK)

SERIES LINE
H = HIGHLINE T = JEEP - 2WD
P = PREMIUM J = JEEP - 4WD

BODY
74 = SPORT UTILITY 4-DR

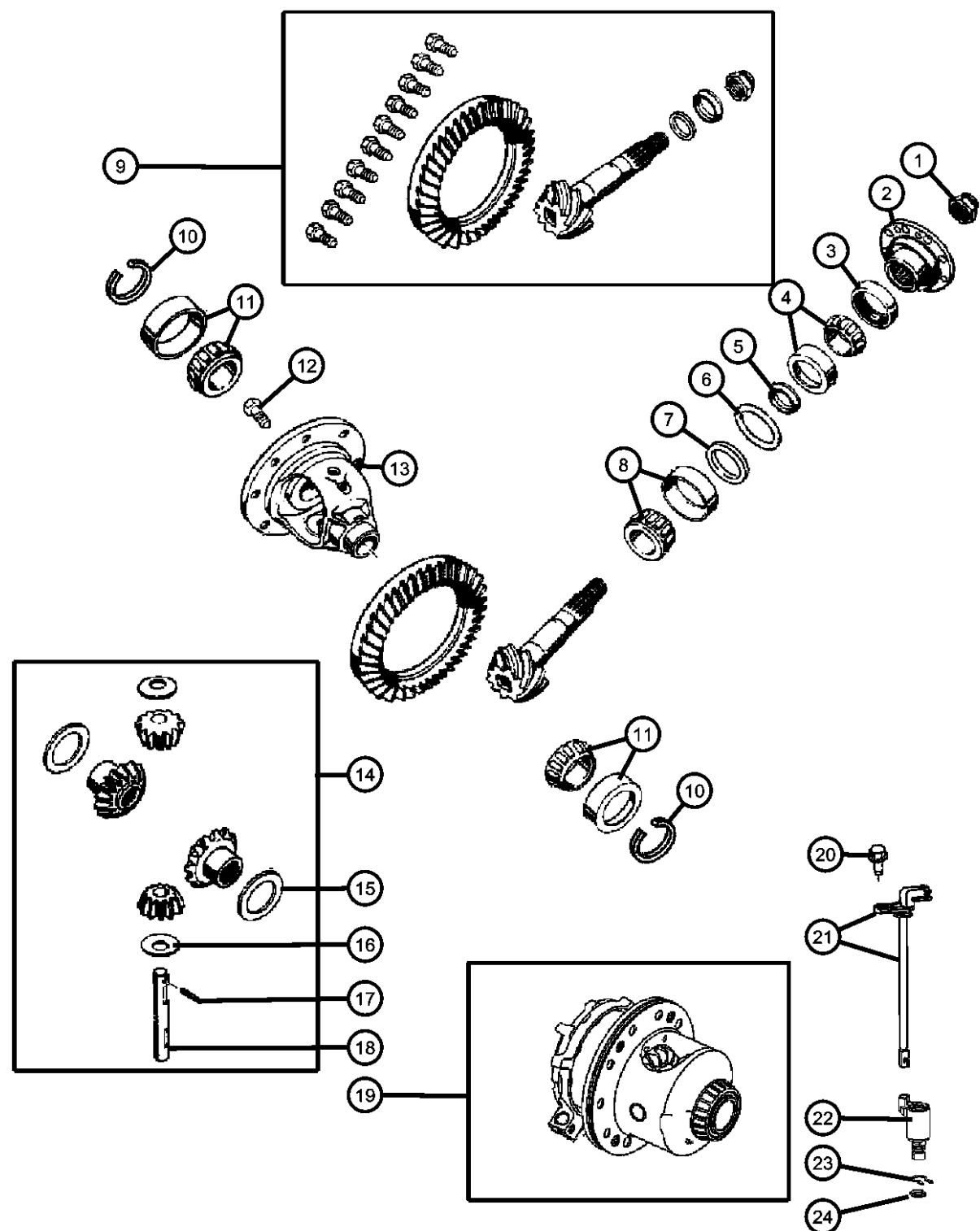
ENGINE
EKG = 3.7L V6 Engine
EVA = 4.7L V8 MPI Engine
EZB = 5.7L Hemi Multi Displacement Engine

TRANSMISSION
DGQ = 5-Spd Automatic 5-45RFE Transmission
DGJ = 5-Speed Automatic MB Transmission

AR = use ase required - = Non illustrated part

2006 XK

Differential, Front Axle,[DJA]
Figure 2-610



ITEM	PART NUMBER	QTY	LINE	SERIES	BODY	ENGINE	TRANS	TRIM	DESCRIPTION
	52111240AA	1	J						[3.80MM]
	52111241AA	1	J						[3.82MM]
	52111242AA	1	J						[3.84MM]
	52111243AA	1	J						[3.86MM]
	52111244AA	1	J						[3.88MM]
	52111245AA	1	J						[3.90MM]
	52114083AA	1	J						[3.92MM]
	52114084AA	1	J						[3.94MM]
	52114085AA	1	J						[3.96MM]
	52114086AA	1	J						[3.98MM]
	52114087AA	1	J						[4.00MM]
	52114088AA	1	J						[4.02MM]
	52114089AA	1	J						[4.04MM]
	52114090AA	1	J						[4.06MM]
	52114091AA	1	J						[4.08MM]
	52114092AA	1	J						[4.10MM]
	52114093AA	1	J						[4.12MM]
	52114094AA	1	J						[4.14MM]
	52114095AA	1	J						[4.16MM]
	52114096AA	1	J						[4.18MM]
	52114097AA	1	J						[4.20MM]
	52114098AA	1	J						[4.22MM]
	52114099AA	1	J						[4.24MM]
	52114100AA	1	J						[4.26MM]
	52114101AA	1	J						[4.28MM]
	52114102AA	1	J						[4.30MM]
	52114103AA	1	J						[4.32MM]
	52114104AA	1	J						[4.34MM]
	52114105AA	1	J						[4.36MM]
	52114106AA	1	J						[4.38MM]
	52114107AA	1	J						[4.40MM]
	52114108AA	1	J						[4.42MM]
	52114109AA	1	J						[4.44MM]
	52114110AA	1	J						[4.46MM]

NEW JEEP (XK)

SERIES LINE
H = HIGHLINE T = JEEP - 2WD
P = PREMIUM J = JEEP - 4WD

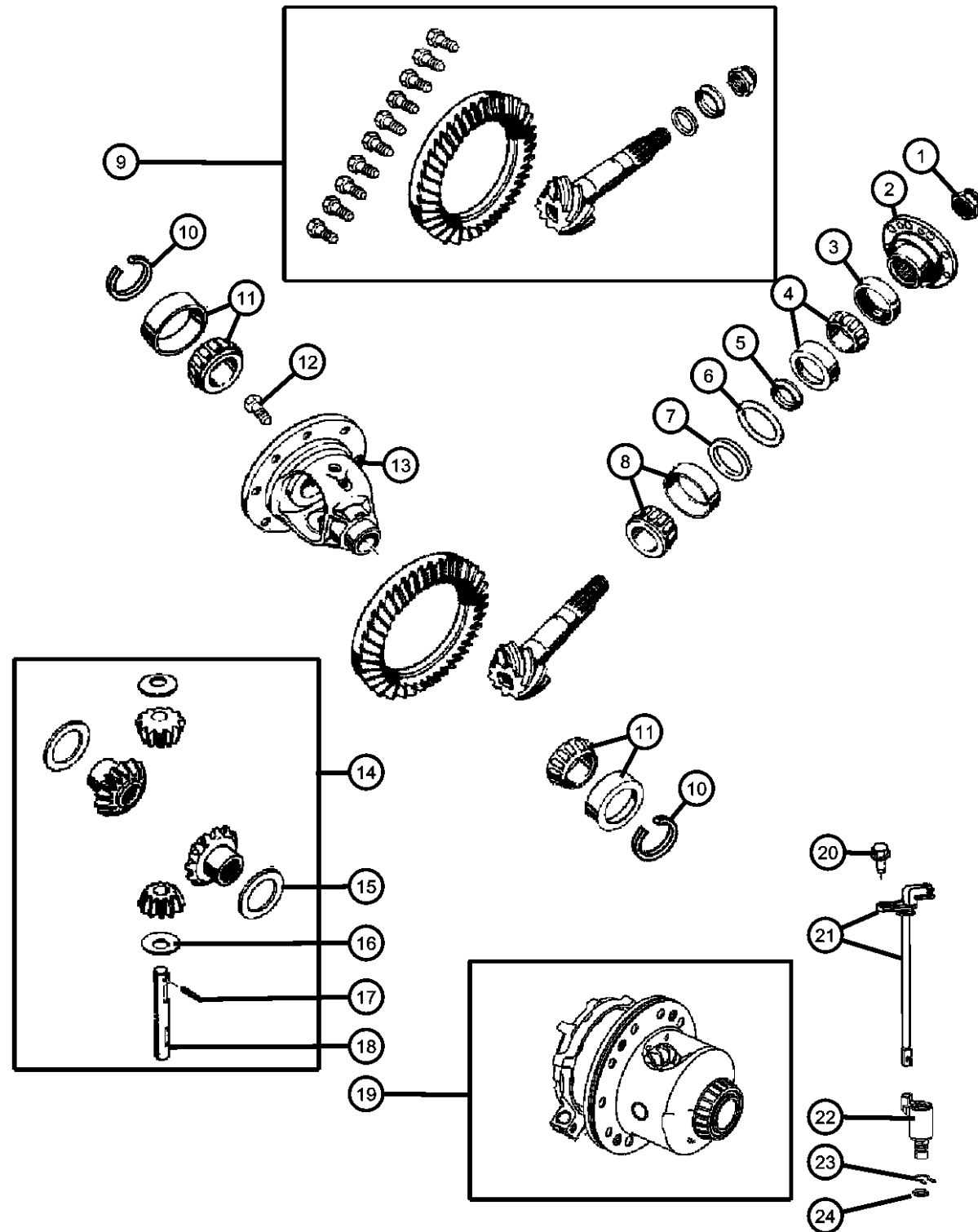
BODY
74 = SPORT UTILITY 4-DR

ENGINE
EKG = 3.7L V6 Engine
EVA = 4.7L V8 MPI Engine
EZB = 5.7L Hemi Multi
Displacement Engine

TRANSMISSION
DGQ = 5-Spd Automatic 5-45RFE
Transmission
DGJ = 5-Speed Automatic MB
Transmission

AR = use ase required - = Non illustrated part

Differential, Front Axle,[DJA]
Figure 2-610



ITEM	PART NUMBER	QTY	LINE	SERIES	BODY	ENGINE	TRANS	TRIM	DESCRIPTION
	52114111AA	1	J						[4.48MM]
	52114112AA	1	J						[4.50MM]
	52114113AA	1	J						[4.52MM]
	52114114AA	1	J						[4.54MM]
	52114115AA	1	J						[4.56MM]
	52114116AA	1	J						[4.58MM]
	52114117AA	1	J						[4.60MM]
	52114118AA	1	J						[4.62MM]
	52114119AA	1	J						[4.64MM]
	52114120AA	1	J						[4.66MM]
	52114121AA	1	J						[4.68MM]
	52114122AA	1	J						[4.70MM]
	52114123AA	1	J						[4.72MM]
	52114124AA	1	J						[4.74MM]
	52114125AA	1	J						[4.76MM]
	52114126AA	1	J						[4.78MM]
	52114127AA	1	J						[4.80MM]
	52114128AA	1	J						[4.82MM]
	52114129AA	1	J						[4.84MM]
	52114130AA	1	J						[4.86MM]
	52114131AA	1	J						[4.88MM]
	52114132AA	1	J						[4.90MM]
	52114133AA	1	J						[4.92MM]
	52114134AA	1	J						[4.94MM]
	52114135AA	1	J						[4.96MM]
	52114136AA	1	J						[4.98MM]
	52114137AA	1	J						[5.00MM]
	52114138AA	1	J						[5.02MM]
	52114139AA	1	J						[5.04MM]
	52114140AA	1	J						[5.06MM]
	52114141AA	1	J						[5.08MM]
	52114142AA	1	J						[5.10MM]
	52114143AA	1	J						[5.12MM]
	52114144AA	1	J						[5.14MM]

NEW JEEP (XK)

SERIES LINE
H = HIGHLINE T = JEEP - 2WD
P = PREMIUM J = JEEP - 4WD

BODY
74 = SPORT UTILITY 4-DR

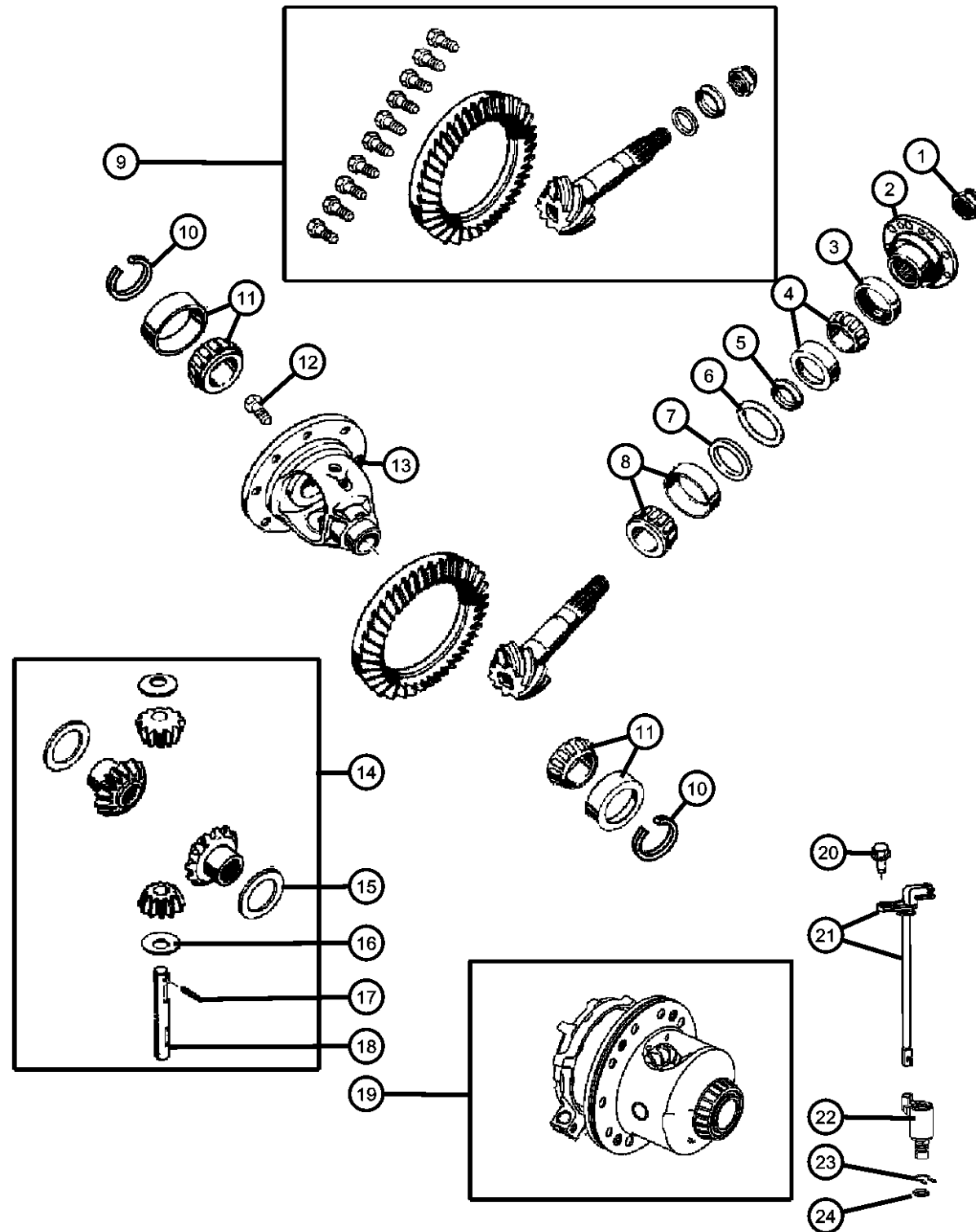
ENGINE
EKG = 3.7L V6 Engine
EVA = 4.7L V8 MPI Engine
EZB = 5.7L Hemi Multi
Displacement Engine

TRANSMISSION
DGQ = 5-Spd Automatic 5-45RFE
Transmission
DGJ = 5-Speed Automatic MB
Transmission

AR = use ase required - = Non illustrated part

2006 XK

Differential, Front Axle,[DJA]
Figure 2-610



ITEM	PART NUMBER	QTY	LINE	SERIES	BODY	ENGINE	TRANS	TRIM	DESCRIPTION
	52114145AA	1	J						[5.16MM]
	52114146AA	1	J						[5.18MM]
	52114147AA	1	J						[5.20MM]
	52114352AA	2	J						[3.74MM]
11	05135660AB	1	J						BEARING PACKAGE, Differential, Contains 2 Bearing and 2 Cups
12									BOLT, Ring Gear
	06507634AA	10	J						Hex Head, Mounting
	06508058AA	10	J						Torx Head, Mounting
13	52111226AC	1	J						CASE ASSEMBLY, Differential, Without [DSG] With Internal Parts
14	05072492AA	1	J						GEAR PACKAGE, Differential, Without [DSG]
15	05015864AA	1	J						WASHER PACKAGE, Side Gear Thrust, Contains 2 each .031,.036,.041,.046,Washers, Without [DSG]
16	02852912	2	J						WASHER, Pinion Gear, Without [DSG], Thrust
17	52070338AA	1	J						PIN, Differential Shaft, Without [DSG]
18	52069657	1	J						SHAFT, Differential Pinion, Without [DSG]
19	52104673AE	1	J						CASE ASSEMBLY, Differential, With [DSG] With Internal Parts
20	06501979	1	J						SCREW AND WASHER, Hex Head, M6x1x17, With [DSG]
21	52114327AD	1	J						HARNESS, Electronic Front Axle, With [DSG]
22	52114003AD	1	J						ACTUATOR, Axle Locker, With [DSG]
23	05135813AA	1	J						SNAP RING, With [DSG]
24	05135814AA	1	J						O RING, With [DSG]

NEW JEEP (XK)

SERIES LINE
H = HIGHLINE T = JEEP - 2WD
P = PREMIUM J = JEEP - 4WD

BODY
74 = SPORT UTILITY 4-DR

ENGINE
EKG = 3.7L V6 Engine
EVA = 4.7L V8 MPI Engine
EZB = 5.7L Hemi Multi Displacement Engine

TRANSMISSION
DGQ = 5-Spd Automatic 5-45RFE Transmission
DGJ = 5-Speed Automatic MB Transmission

AR = use ase required - = Non illustrated part

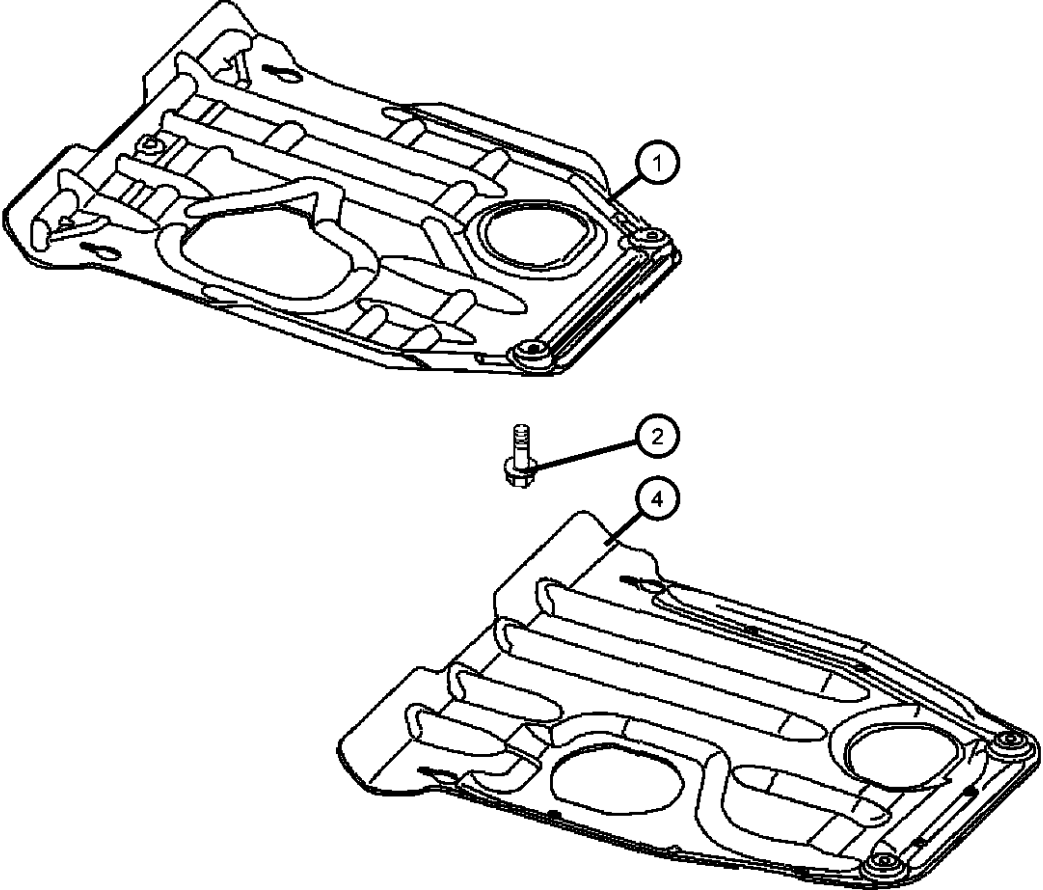
2006 XK

**Skid Plate, Front Axle
Figure 2-810**

ITEM	PART NUMBER	QTY	LINE	SERIES	BODY	ENGINE	TRANS	TRIM	DESCRIPTION
------	-------------	-----	------	--------	------	--------	-------	------	-------------

Note: Sales Codes;
[XEU]=Skid Plate - Front Suspension

1	55157121AB	1							COVER, Front Side Rail
2	06505269AA	4							SCREW AND WASHER, Head Head Lock, M8-1.25x30.00Mounting
-3	06101916	1							NUT, Hex Weld, M8x1.25, [M10x1.50]
4	52090316AF	1	J						SKID PLATE, Front, With [XEU]



NEW JEEP (XK)

SERIES	LINE	BODY	ENGINE	TRANSMISSION
H = HIGHLINE	T = JEEP - 2WD	74 = SPORT UTILITY 4-DR	EKG = 3.7L V6 Engine	DGQ = 5-Spd Automatic 5-45RFE Transmission
P = PREMIUM	J = JEEP - 4WD		EVA = 4.7L V8 MPI Engine	DGJ = 5-Speed Automatic MB Transmission
			EZB = 5.7L Hemi Multi Displacement Engine	

AR = use ase required - = Non illustrated part

2006 XK

Group - 3

Rear Axle

Group - 3 Rear Axle

Illustration Title

Group-Fig. No.

Rear Axle

Axle Assembly,Rear,Corporate 8.25/213MM [DRS] Fig. 3 - 110
 Axle Assembly,Rear,Dana 44/226MM,[DRK] Fig. 3 - 120

Differential and Housing

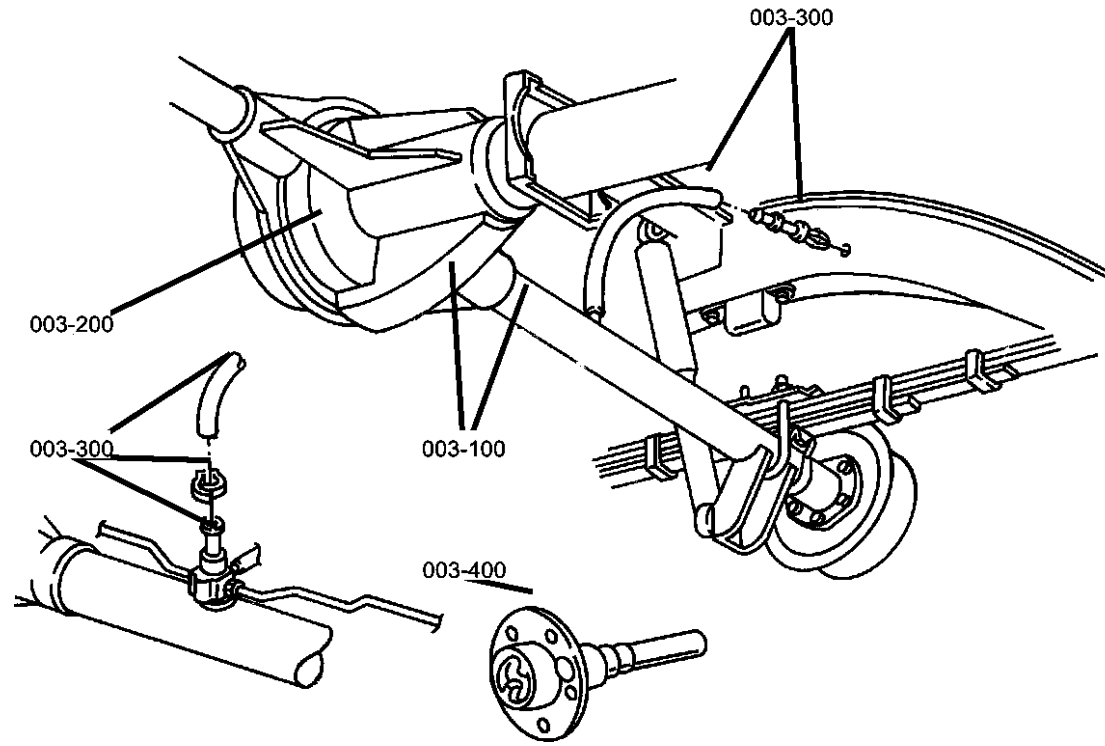
Axle,Rear,With Differential,Housing and Axle Shafts,[DRS] Fig. 3 - 210
 Axle,Rear,With Differential,Housing and Axle Shafts,[DRK],Dana 44/226MM Fig. 3 - 220

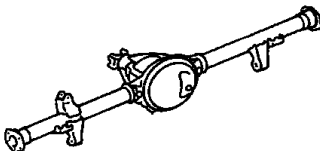
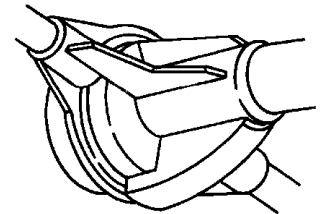
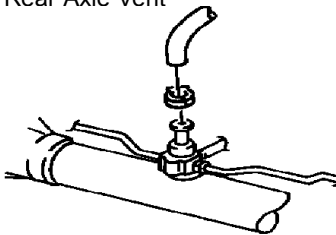
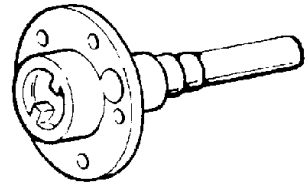
Rear Axle Vent

Rear Axle Vent Fig. 3 - 310

Rear Axle Shafts

Axle Shaft,Rear..... Fig. 3 - 410



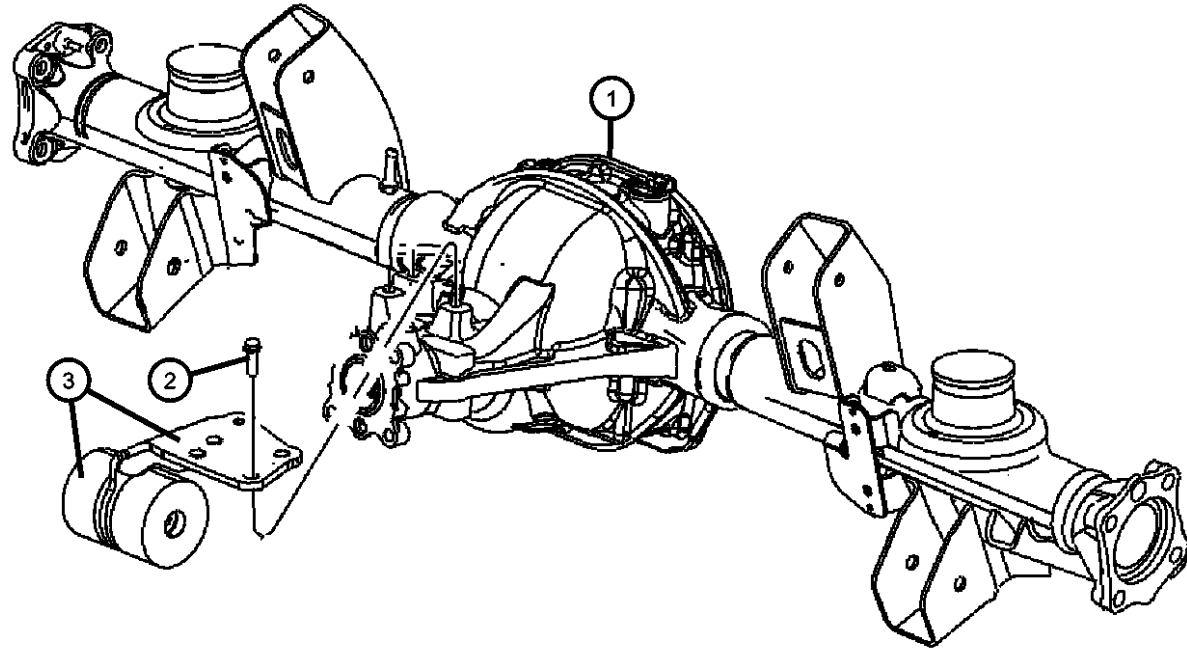
<p>003-100 Rear Axle</p> 	<p>003-200 Differential and Housing</p> 	<p>003-300 Rear Axle Vent</p> 	<p>003-400 Rear Axle Shafts</p> 
------------------------------------------------------------------------------------------------------------------------	----------------------------------------------------------------------------------------------------------------------------------------	-------------------------------------------------------------------------------------------------------------------------------	----------------------------------------------------------------------------------------------------------------------------------

**Axle Assembly,Rear,Corporate 8.25/213MM [DRS]
Figure 3-110**

ITEM	PART NUMBER	QTY	LINE	SERIES	BODY	ENGINE	TRANS	TRIM	DESCRIPTION
------	-------------	-----	------	--------	------	--------	-------	------	-------------

Note:Sales Codes;
 [DMD]=Axle Ratio 3.55
 [DME]=Axle Ratio - 3.73
 [DMM]=Axle Ratio - 3.07
 [DRS]=Axle - Rear,213MM
 [DSF]=Axle - Electric Limited Slip Differential Rear
 [DS8]=Axle - Conventional Differential Rear

1									AXLE, Service Rear
	05135772AE	1							[DMM,DS8]
	05135811AF	1							[DME,DSF]
	05135812AE	1							[DME,DS8]
	05179266AB	1							[DMD,DS8]
2	06105070AA	2	T						BOLT, Axle Damper and Cable Bracket, Mounting
3	52114861AA	1	T						DAMPER, Axle



NEW JEEP (XK)

SERIES LINE
 H = HIGHLINE T = JEEP - 2WD
 P = PREMIUM J = JEEP - 4WD

BODY
 74 = SPORT UTILITY 4-DR

ENGINE
 EKG = 3.7L V6 Engine
 EVA = 4.7L V8 MPI Engine
 EZB = 5.7L Hemi Multi
 Displacement Engine

TRANSMISSION
 DGQ = 5-Spd Automatic 5-45RFE
 Transmission
 DGJ = 5-Speed Automatic MB
 Transmission

AR = use ase required - = Non illustrated part

2006 XK

Axle Assembly,Rear,Dana 44/226MM,[DRK]

Figure 3-120

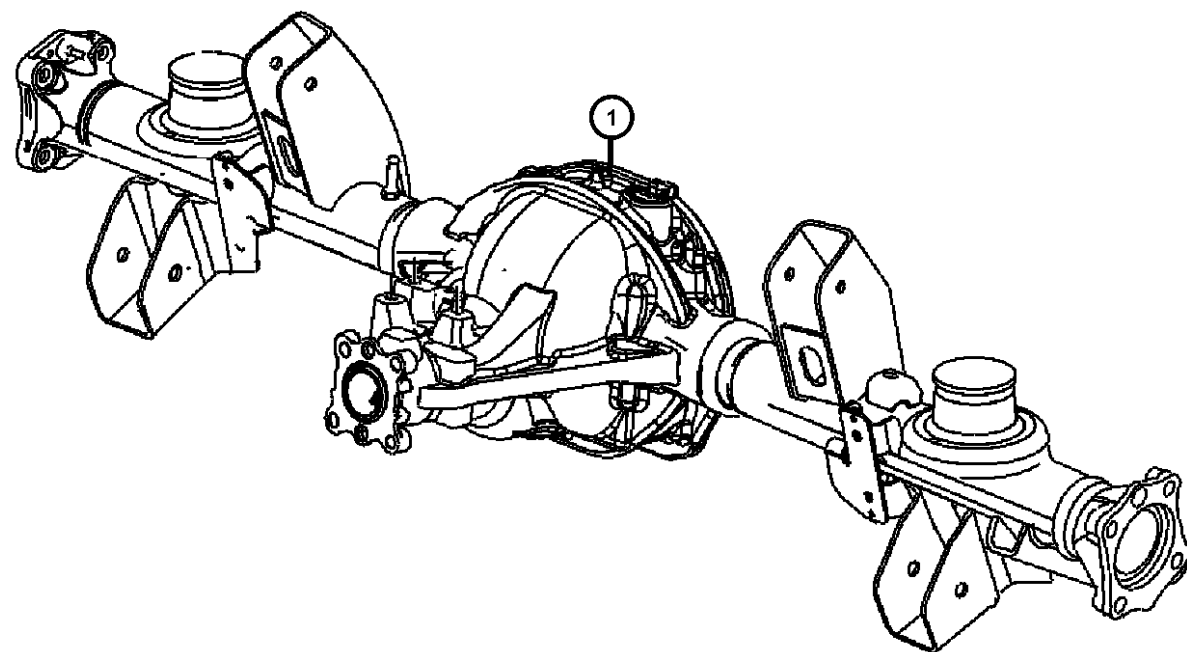
ITEM	PART NUMBER	QTY	LINE	SERIES	BODY	ENGINE	TRANS	TRIM	DESCRIPTION
------	-------------	-----	------	--------	------	--------	-------	------	-------------

Note:Sales Codes;
 [DME]=Axle Ratio - 3.73
 [DS8]=Axle - Conventional Differential Rear

1	05191214AA	1							
	04874469								
	68003055AA								

AXLE, Service Rear, [DME,DS8]

Mopar SAE 75W-140 Synthetic
 Gear and Axle Lube Quart
 Mopar SAE 75W-140 Synthetic
 Gear and Axle Lube 16 Gallon
 Keg



NEW JEEP (XK)

SERIES LINE
 H = HIGHLINE T = JEEP - 2WD
 P = PREMIUM J = JEEP - 4WD

BODY
 74 = SPORT UTILITY 4-DR

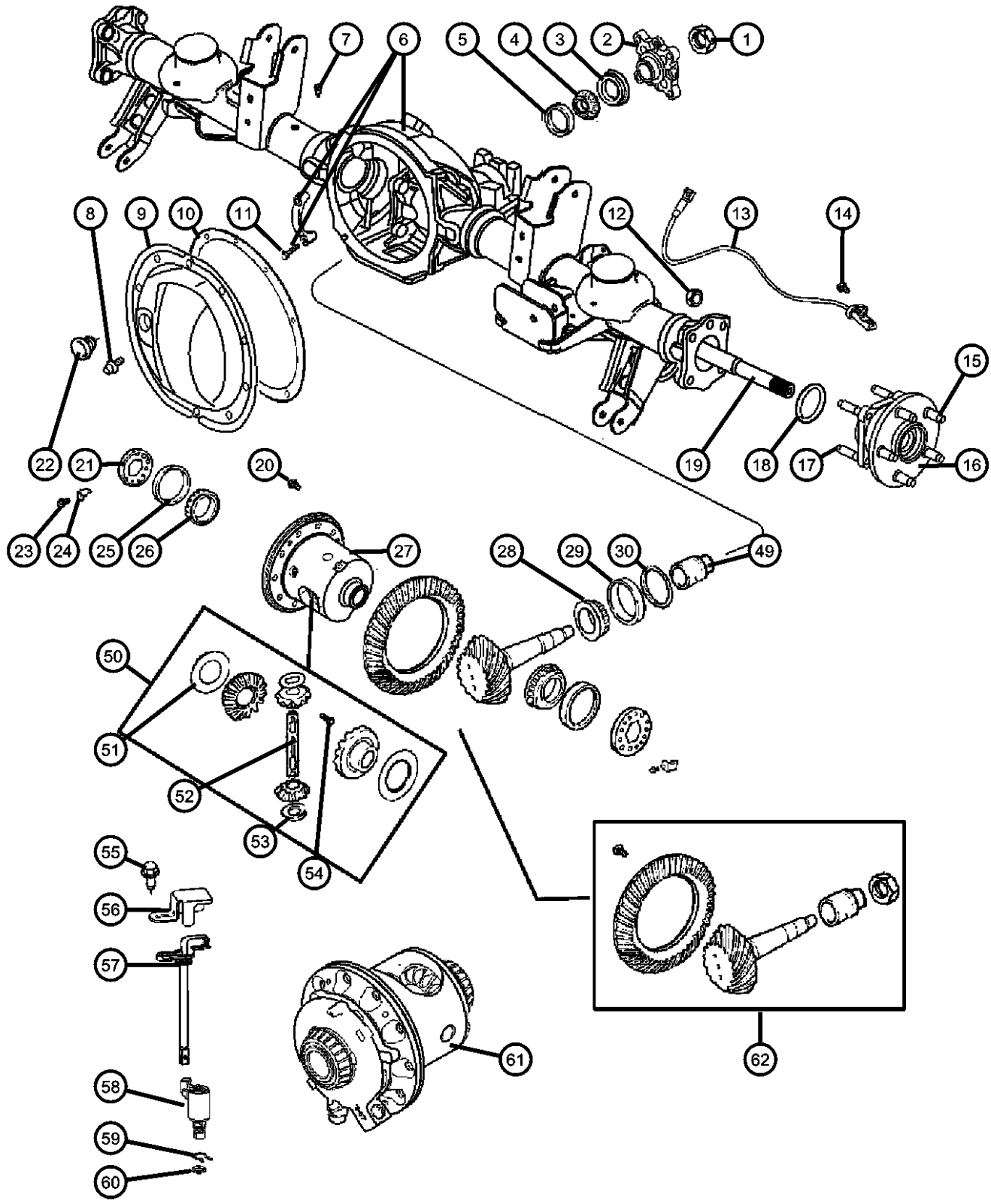
ENGINE
 EKG = 3.7L V6 Engine
 EVA = 4.7L V8 MPI Engine
 EZB = 5.7L Hemi Multi
 Displacement Engine

TRANSMISSION
 DGQ = 5-Spd Automatic 5-45RFE
 Transmission
 DGJ = 5-Speed Automatic MB
 Transmission

AR = use ase required - = Non illustrated part

2006 XK

Axle,Rear,With Differential,Housing and Axle Shafts,[DRS]
Figure 3-210



ITEM	PART NUMBER	QTY	LINE	SERIES	BODY	ENGINE	TRANS	TRIM	DESCRIPTION
------	-------------	-----	------	--------	------	--------	-------	------	-------------

Note:Sales Codes;
 [DMD]=Axle Ratio - 3.55
 [DME]=Axle Ratio - 3.73
 [DMM]=Axle Ratio - 3.07
 [DRS]=Axle - Rear,213MM
 [DSC]=Axles - Vari-Lok Progressive
 [DSF]=Axle - Electric Limited Slip Differential Rear
 [DS8]=Axle - Conventional Differential Rear

1	06036572AA	1							NUT, Pinion Yoke
2	52114046AC	1							FLANGE, Driveshaft Yoke
3	52070339AB	1							SEAL, Drive Pinion
4	02070316	1							BEARING, Drive PinionFront
5	02070317	1							CUP, Pinion BearingFront
6									HOUSING, Axle
	05135769AG	1							[DS8]
	05142347AD	1							[DSF]
7	52114267AB	1							VENT, Axle
8	06033043	12							SCREW AND WASHER, Hex Flange Head, .312-18x.562, Differential Cover, Mounting COVER, Differential
9									[DS8]
	03723681AC	1							[DSF]
	52114002AA	1							SEALANT, RTV
10	05010884AA	1							SCREW, Hex Head, .50-13x2.38, Carrier Bearing Cap, Mounting
11	03432695	4							NUT, Hex Lock, M12x1.75, Hub and Bearing to Axle Housing, Mounting
12	06101688	8							SENSOR, Wheel SpeedRight or Left
13	56044146AA	2							SCREW, Hex Head, M6 x 1.00 x 17.50, Wheel Speed Sensor
14	06506968AA	2							BOLT, Hub and Rotor
15	06036424AA	10							HUB AND BEARING, Wheel
16	52111884AA	2							STUD, Hub and Bearing to Axle Housing, Mounting
17	06508071AA	4							O RING, Hub and Bearing to Axle Housing, Mounting
18	52114079AA	2							SHAFT, Axle
19									[DSF], Right
	52111899AA	1							[DSF], Left
	52111913AA	1							

NEW JEEP (XK)		BODY	ENGINE	TRANSMISSION
SERIES	LINE	74 = SPORT UTILITY 4-DR	EKG = 3.7L V6 Engine EVA = 4.7L V8 MPI Engine EZB = 5.7L Hemi Multi Displacement Engine	DGQ = 5-Spd Automatic 5-45RFE Transmission DGJ = 5-Speed Automatic MB Transmission
H = HIGHLINE P = PREMIUM	T = JEEP - 2WD J = JEEP - 4WD			

AR = use ase required - = Non illustrated part

Axle,Rear,With Differential,Housing and Axle Shafts,[DRS]

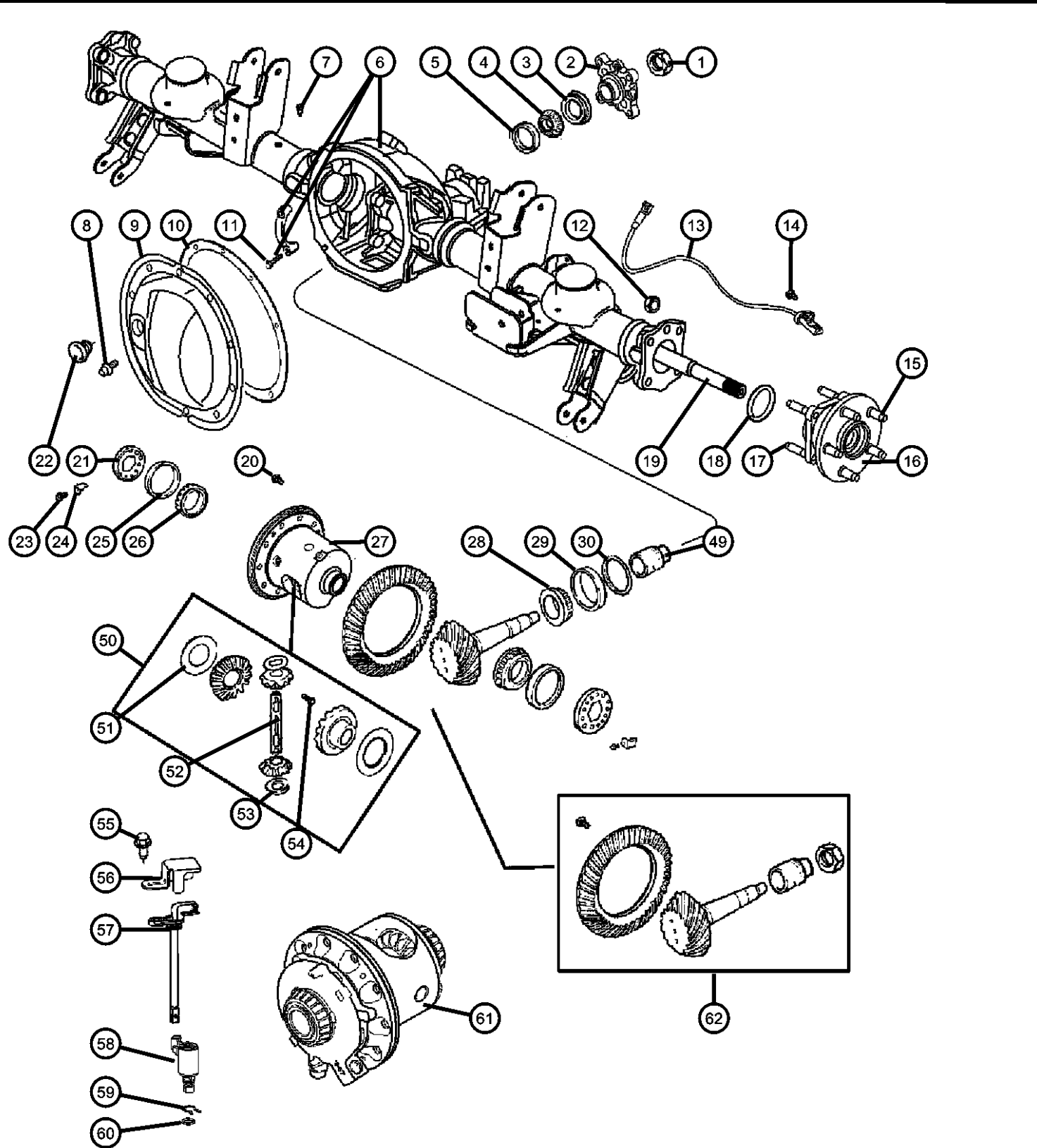
Figure 3-210

ITEM	PART NUMBER	QTY	LINE	SERIES	BODY	ENGINE	TRANS	TRIM	DESCRIPTION
	52114076AA	1							[DS8], Left
	52114077AA	1							[DS8], Right
20									BOLT, Ring Gear
	06507634AA	10							[DS8]
	06508058AA	10							[DSF]
21	03507876AB	2							ADJUSTER, Differential Bearing
22	52070428AA	1							PLUG, Differential Cover
23	06023092	2							SCREW AND WASHER, Hex Head, .25-20x.50
24	03723859	2							LOCK, Differential Bearing
25	03723569	2							CUP, Differential Side
26	01790541	2							BEARING, Differential
27	52114574AA	1							CASE, Differential, With Internal Parts
28	02800484	1							BEARING, Drive PinionRear
29	02800485	1							CUP, Pinion BearingRear
30	03723520	AR							SHIM, Drive Pinion Bearing, .020
-31	03723521	AR							SHIM, Drive Pinion Bearing, .021
-32	03723522	AR							SHIM, Drive Pinion Bearing, .022
-33	03723523	AR							SHIM, Drive Pinion Bearing, .023
-34	03723524	AR							SHIM, Drive Pinion Bearing, .024
-35	03723525	AR							SHIM, Drive Pinion Bearing, .025
-36	03723526	AR							SHIM, Drive Pinion Bearing, .026
-37	03723527	AR							SHIM, Drive Pinion Bearing, .027
-38	03723528	AR							SHIM, Drive Pinion Bearing, .028
-39	03723529	AR							SHIM, Drive Pinion Bearing, .029
-40	03723530	AR							SHIM, Drive Pinion Bearing, .030
-41	03723531	AR							SHIM, Drive Pinion Bearing, .031
-42	03723532	AR							SHIM, Drive Pinion Bearing, .032
-43	03723533	AR							SHIM, Drive Pinion Bearing, .033
-44	03723534	AR							SHIM, Drive Pinion Bearing, .034
-45	03723535	AR							SHIM, Drive Pinion Bearing, .035
-46	03723536	AR							SHIM, Drive Pinion Bearing, .036
-47	03723537	AR							SHIM, Drive Pinion Bearing, .037
-48	03723538	AR							SHIM, Drive Pinion Bearing, .038

NEW JEEP (XK)
 SERIES LINE BODY ENGINE TRANSMISSION
 H = HIGHLINE T = JEEP - 2WD 74 = SPORT UTILITY 4-DR EKG = 3.7L V6 Engine DGQ = 5-Spd Automatic 5-45RFE
 P = PREMIUM J = JEEP - 4WD EVA = 4.7L V8 MPI Engine Transmission
 EZB = 5.7L Hemi Multi DGJ = 5-Speed Automatic MB
 Displacement Engine Transmission

AR = use ase required - = Non illustrated part

Axle,Rear,With Differential,Housing and Axle Shafts,[DRS]
Figure 3-210

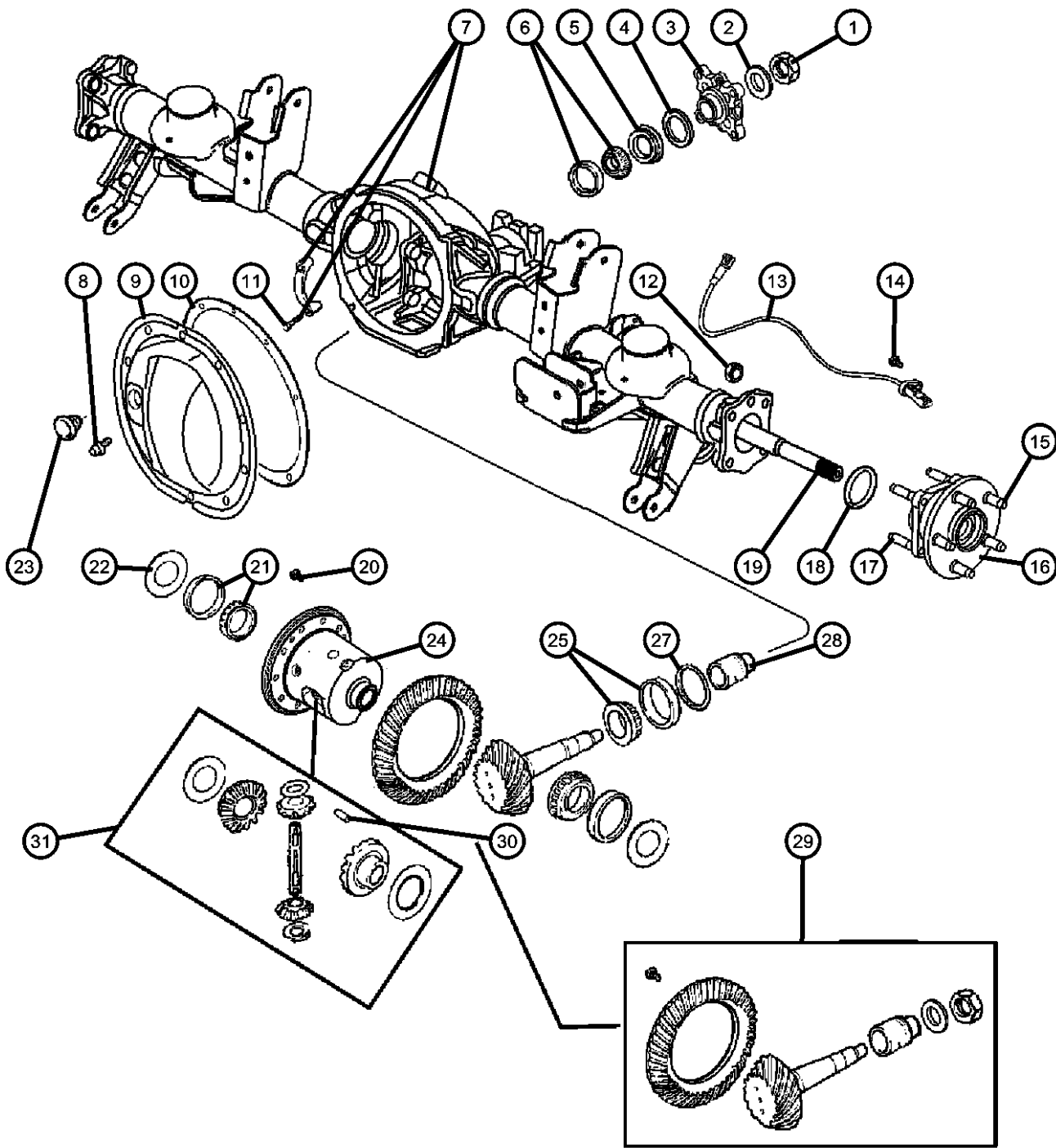


ITEM	PART NUMBER	QTY	LINE	SERIES	BODY	ENGINE	TRANS	TRIM	DESCRIPTION
49	03507575	1							SPACER, Drive Pinion Bearing, Crush
50	04883087AB	1							GEAR PACKAGE, Differential, [DS8] Only
51	04883085	1							WASHER PACKAGE, Side Gear Thrust, [DS8] Only
52	52069657	1							SHAFT, Differential Pinion, Also Serviced In Differential Gear Package, [DS8] Only
53	02852912	2							WASHER, Pinion Gear, [DS8] Only, Thrust
54	03507724	1							SCREW, Hex Head, .312-18x1.80, Also Serviced in Differential Gear Package, [DS8] Only
55	06501979	1							SCREW AND WASHER, Hex Head, M6x1x17, [DSF] Only
56	52114530AB	1							SHIELD, Wiring, [DSF] Only
57	52114328AC	1							HARNES, Electronic Rear Axle, [DSF] Only
58	52114003AD	1							ACTUATOR, Axle Locker, [DSF] Only
59	05135813AA	1							SNAP RING, [DSF] Only
60	05135814AA	1							O RING, [DSF] Only
61	52104674AD	1							CASE, Differential, [DSF] Only With internal Parts
62									GEAR KIT, Ring And Pinion
	05135768AB	1							[DMM]
	05175783AA	1							[DMD]
	05143812AA	1							[DME]

NEW JEEP (XK)		BODY	ENGINE	TRANSMISSION
SERIES	LINE			
H = HIGHLINE	T = JEEP - 2WD	74 = SPORT UTILITY 4-DR	EKG = 3.7L V6 Engine	DGQ = 5-Spd Automatic 5-45RFE Transmission
P = PREMIUM	J = JEEP - 4WD		EVA = 4.7L V8 MPI Engine	DGJ = 5-Speed Automatic MB Transmission
			EZB = 5.7L Hemi Multi Displacement Engine	

AR = use ase required - = Non illustrated part

Axle,Rear,With Differential,Housing and Axle Shafts,[DRK],Dana 44/226MM
Figure 3-220



ITEM	PART NUMBER	QTY	LINE	SERIES	BODY	ENGINE	TRANS	TRIM	DESCRIPTION
------	-------------	-----	------	--------	------	--------	-------	------	-------------

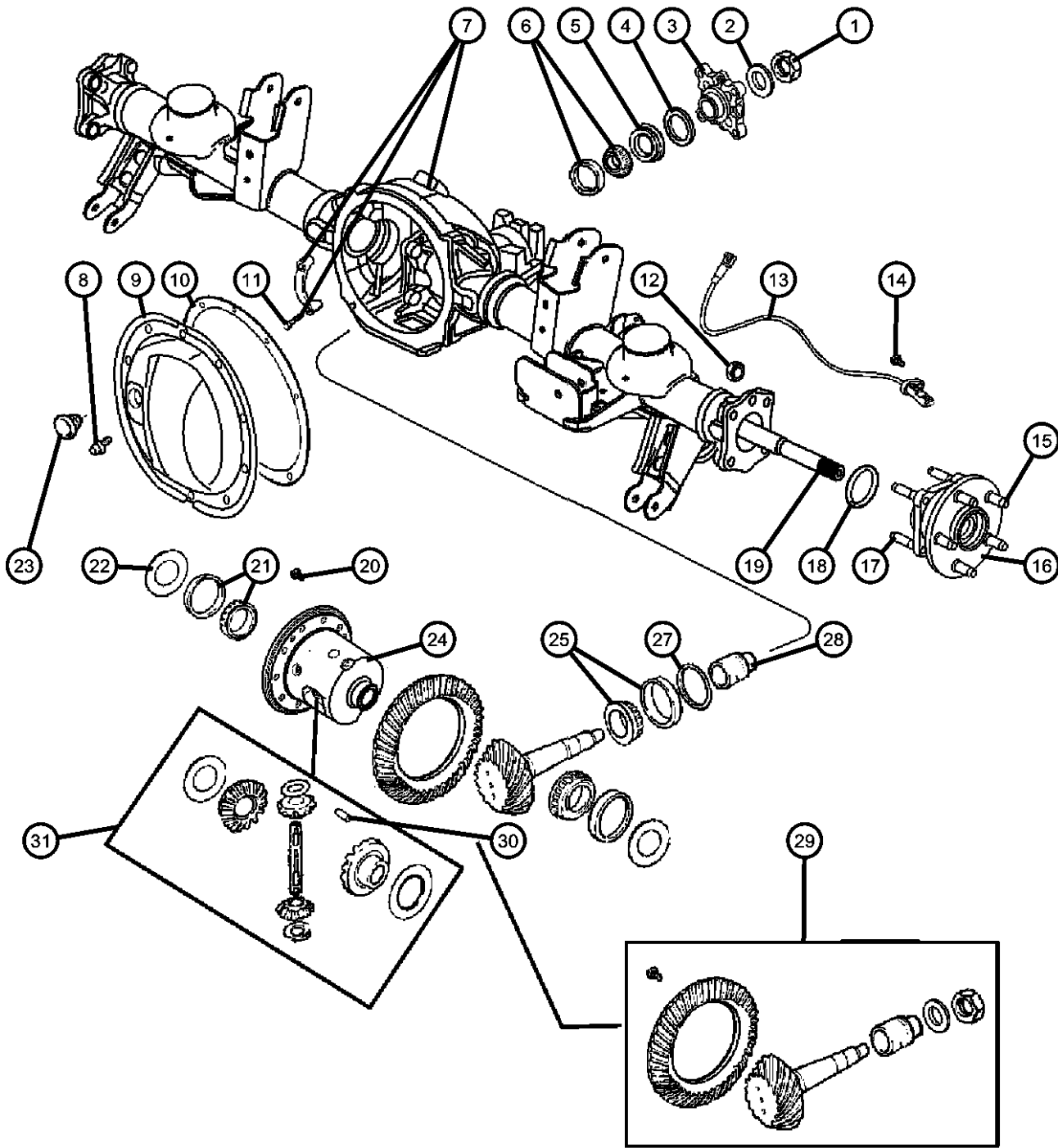
Note:Sales Codes;
[DME]=Axle Ratio - 3.73
[DMM]=Axle Ratio - 3.07
[DRK]=Rear Axle - Dana 44/226MM
[DS8]=Axle - Conventional Differential Rear

1	05191197AA	1							NUT, Pinion Yoke
2	01795175	1							WASHER, Pinion Yoke
3	05183523AA	1							FLANGE, Driveshaft Yoke
4	04746867	1							SLINGER, Drive Pinion
5	05183524AA	1							SEAL, Drive Pinion
6	04864210	1							BEARING, Drive Pinion, Bearing and Cup, Front
7	05191205AA	1							HOUSING, Axle
8	02954031	10							BOLT, Differential CoverMounting
9	05183507AA	1							COVER, Differential
10	05010884AA	1							SEALANT, RTV
11	05003648AA	4							BOLT, Differential, Carrier Bearing Cap, Mounting
12	06101688	8							NUT, Hex Lock, M12x1.75, Hub and Bearing to Axle Housing, Mounting
13	56044146AA	2							SENSOR, Wheel Speed
14	06508345AA	2							SCREW, Hex Head, Wheel Speed Sensor, Mounting
15	06036424AA	10							BOLT, Hub and Rotor
16	52111884AA	2							HUB AND BEARING, Wheel
17	06508071AA	8							STUD, Hub and Bearing to Axle Housing, Mounting
18	52114079AA	2							O RING, Hub and Bearing to Axle Housing, Mounting
19									SHAFT, Axle
	05183528AA	1							Right
	05183529AA	1							Left
20	05183517AA	1							BOLT KIT, Ring Gear, Mounting
21	05183508AA	1							BEARING, Differential, Contains 2 Bearings and 2 Cups
22	05183516AA	1							SHIM KIT, Differential
23	J4004751	1							PLUG, Differential Cover
24	05183518AA	1							CASE, Differential, With Internal Parts
25	05191196AA	1							BEARING, Drive Pinion, Bearing and Cup, Rear

NEW JEEP (XK)		BODY	ENGINE	TRANSMISSION
SERIES	LINE	74 = SPORT UTILITY 4-DR	EKG = 3.7L V6 Engine EVA = 4.7L V8 MPI Engine EZB = 5.7L Hemi Multi Displacement Engine	DGQ = 5-Spd Automatic 5-45RFE Transmission DGJ = 5-Speed Automatic MB Transmission
H = HIGHLINE P = PREMIUM	T = JEEP - 2WD J = JEEP - 4WD			

AR = use ase required - = Non illustrated part

Axle,Rear,With Differential,Housing and Axle Shafts,[DRK],Dana 44/226MM
Figure 3-220



ITEM	PART NUMBER	QTY	LINE	SERIES	BODY	ENGINE	TRANS	TRIM	DESCRIPTION
-26									SHIM KIT, Pinion Shaft
	04856368	1							Contains Shims [.035' to.039']
	04856369	1							Contains Shims [.040' to.044']
	04856370	1							Contains Shims [.045' to.049']
	04856371	1							Contains Shims [.050' to.054']
27									SHIM, Drive Pinion Bearing
	05017332AA	1							[.040"]
	05017333AA	1							[.041"]
	05017334AA	1							[.042"]
	05017335AA	1							[.043"]
	05017336AA	1							[.044"]
	05017337AA	1							[.045"]
	05017338AA	1							[.046"]
	05017339AA	1							[.047"]
	05017340AA	1							[.048"]
	05017341AA	1							[.049"]
	05017342AA	1							[.050"]
	05017343AA	1							[.051"]
	05017344AA	1							[.052"]
	05017345AA	1							[.053"]
	05017346AA	1							[.054"]
28	05183525AA	1							SPACER, Drive Pinion Bearing, Crush
29	05183522AA	1							GEAR KIT, Ring And Pinion, [DME]
30	01791563	1							PIN, Differential Shaft
31	05183520AA	1							GEAR KIT, Center Differential

NEW JEEP (XK)

SERIES LINE
H = HIGHLINE T = JEEP - 2WD
P = PREMIUM J = JEEP - 4WD

BODY
74 = SPORT UTILITY 4-DR

ENGINE
EKG = 3.7L V6 Engine
EVA = 4.7L V8 MPI Engine
EZB = 5.7L Hemi Multi Displacement Engine

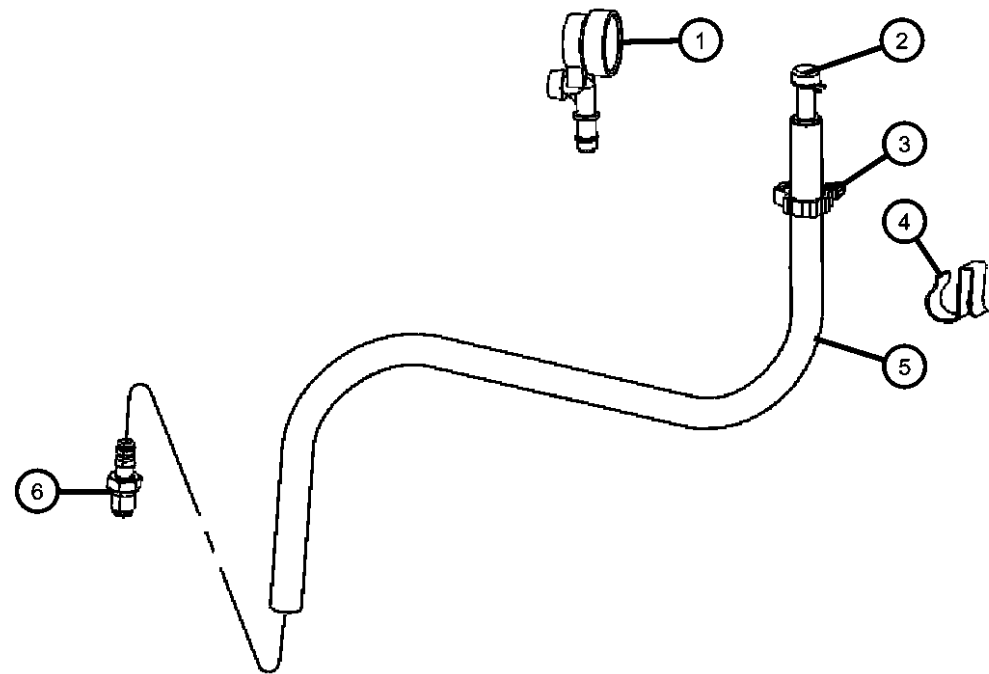
TRANSMISSION
DGQ = 5-Spd Automatic 5-45RFE Transmission
DGJ = 5-Speed Automatic MB Transmission

AR = use ase required - = Non illustrated part

2006 XK

Rear Axle Vent
Figure 3-310

ITEM	PART NUMBER	QTY	LINE	SERIES	BODY	ENGINE	TRANS	TRIM	DESCRIPTION
1	52104552AC	1							VENT, Axle
2	J5352955	1							VENT, Axle
3	06036291AA	1							CLIP, Vent Tube
4	06032633AB	1							CLIP, Vent Tube
5	HFV00516AB	1							HOSE, Fuel And Vapor, 25 Foot Roll 5/16"
6	52114267AB	1							VENT, Axle



NEW JEEP (XK)

SERIES LINE
H = HIGHLINE T = JEEP - 2WD
P = PREMIUM J = JEEP - 4WD

BODY
74 = SPORT UTILITY 4-DR

ENGINE
EKG = 3.7L V6 Engine
EVA = 4.7L V8 MPI Engine
EZB = 5.7L Hemi Multi Displacement Engine

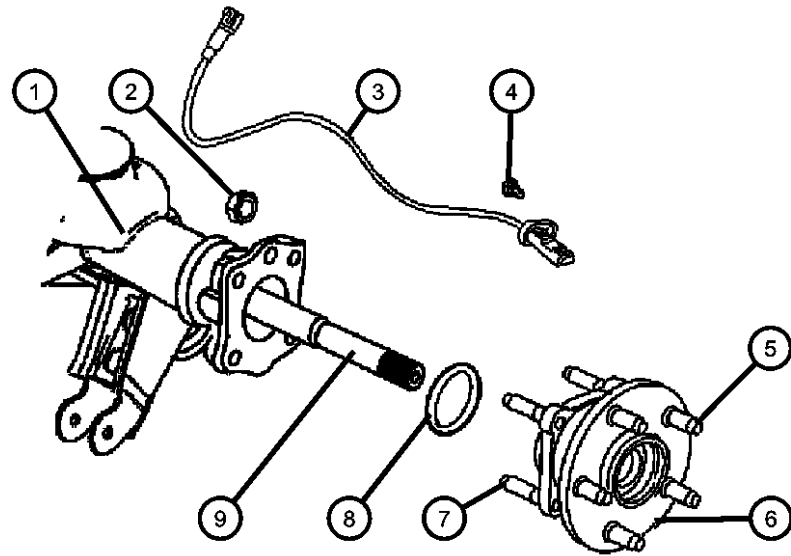
TRANSMISSION
DGQ = 5-Spd Automatic 5-45RFE Transmission
DGJ = 5-Speed Automatic MB Transmission

AR = use ase required - = Non illustrated part

2006 XK

**Axle Shaft,Rear
Figure 3-410**

ITEM	PART NUMBER	QTY	LINE	SERIES	BODY	ENGINE	TRANS	TRIM	DESCRIPTION
1	52114267AB	1							HOUSING, Axle, See 3-210 for part number, (NOT SERVICED)
2	06101688	8							NUT, Hex Lock, M12x1.75, Hub and Bearing to Axle Housing, Mounting
3	56044146AA	2							SENSOR, Wheel Speed
4	06506968AA	2							SCREW, Hex Head, M6 x 1.00 x 17.50, Wheel Speed Sensor
5	06036424AA	10							BOLT, Hub and Rotor
6	52111884AA	2							HUB AND BEARING, Wheel
7	06508071AA	8							STUD, Hub and Bearing to Axle Housing, Mounting
8	52114079AA	2							O RING, Hub and Bearing to Axle Housing, Mounting
9									SHAFT, Axle
	05183529AA	1							[DRK,DS8], Left
	05183528AA	1							[DRK,DS8], Right
	52111899AA	1							[DRS,DSF], Right
	52111913AA	1							[DRS,DSF], Left
	52114076AA	1							[DRS,DS8], Left
	52114077AA	1							[DRS,DS8], Right



NEW JEEP (XK)

SERIES LINE
H = HIGHLINE T = JEEP - 2WD
P = PREMIUM J = JEEP - 4WD

BODY
74 = SPORT UTILITY 4-DR

ENGINE
EKG = 3.7L V6 Engine
EVA = 4.7L V8 MPI Engine
EZB = 5.7L Hemi Multi Displacement Engine

TRANSMISSION
DGQ = 5-Spd Automatic 5-45RFE Transmission
DGJ = 5-Speed Automatic MB Transmission

AR = use ase required - = Non illustrated part

2006 XK

Group - 4

Parking Brake

Group - 4 Parking Brake

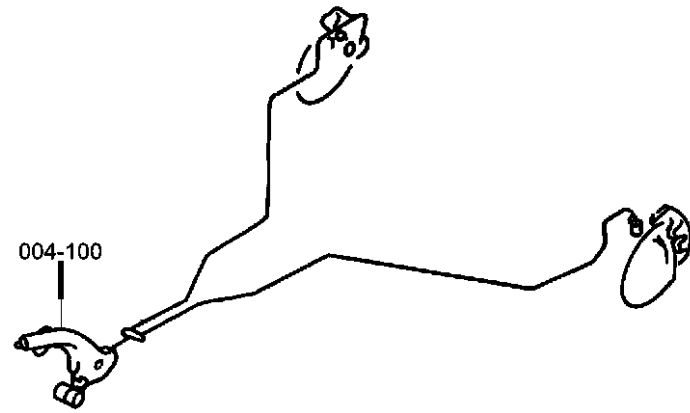
Illustration Title


Group-Fig. No.

Parking Brake Lever and Cables

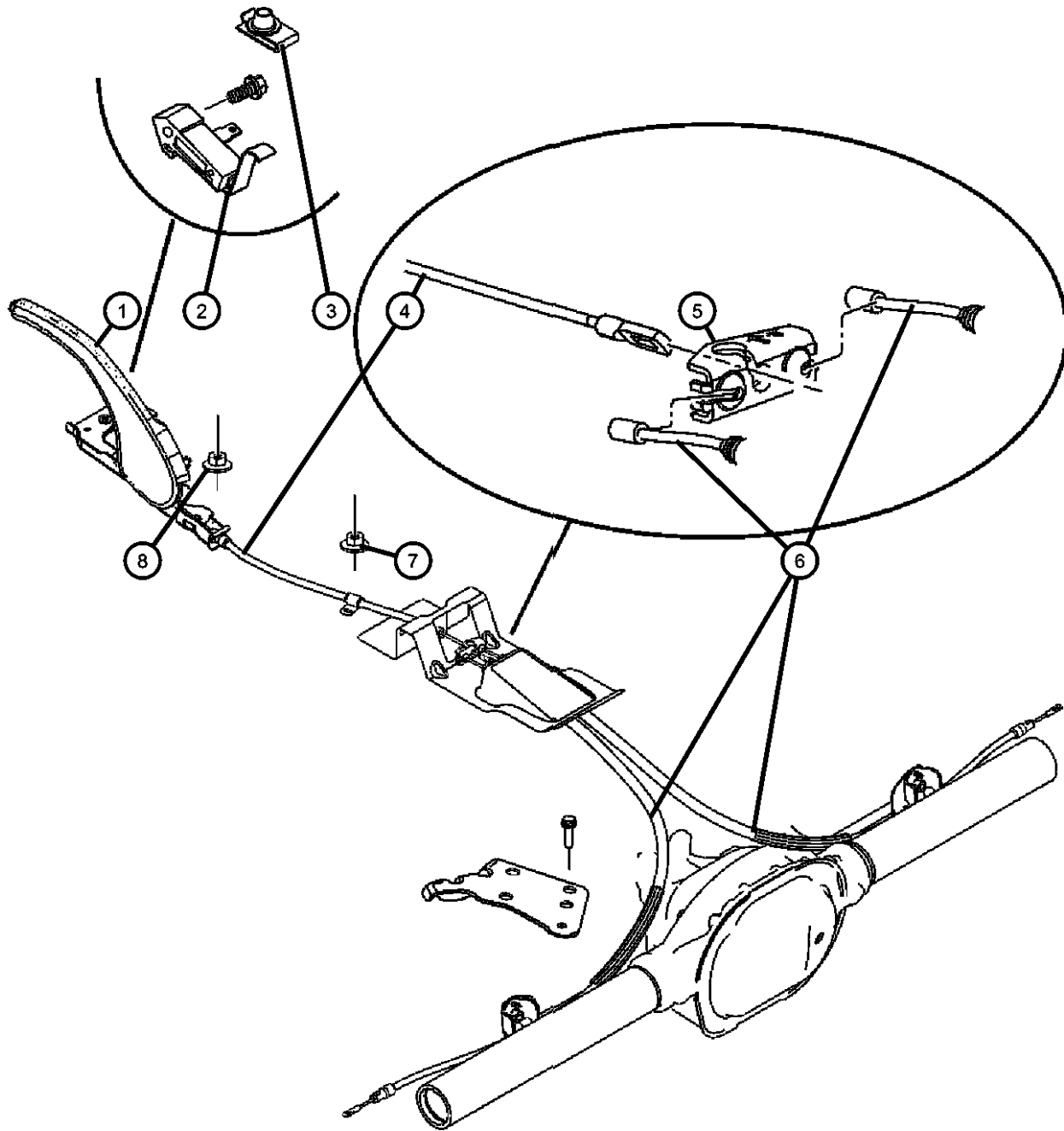
Lever And Cable - Parking Brake Fig. 4 - 110

Rear Disc Parking Brake Assembly..... Fig. 4 - 120



<p>004-100 Parking Brake Lever and Cables</p> 			
----------------------------------------------------------------------------------------------------------------------------------------------	--	--	--

Lever And Cable - Parking Brake
Figure 4-110



ITEM	PART NUMBER	QTY	LINE	SERIES	BODY	ENGINE	TRANS	TRIM	DESCRIPTION
1	5KD70BD1AC	1							LEVER, Park Brake [J1]
	5KD70BD5AC	1							[D5]
	5KD70ZJ3AC	1							[J3]
2	04671936AA	1							SWITCH, Parking Brake
3	06506035AA	1							NUT, U, M6x1
4	05134701AB	1							CABLE, Parking Brake
5	52124029AA	1							EQUALIZER, Parking Brake Cable
6	52124333AA	1							CABLE, Parking Brake Left
	52124334AA	1							Right
7	05096978AA	1							NUT, Hex, M6, Intermediate Cable, Mounting
8	05096978AA	2							NUT, Hex, M6
-9	52124158AA	1							INSULATOR, Parking brake cable, Cable to Unerbody Isolator

NEW JEEP (XK)

SERIES LINE
H = HIGHLINE T = JEEP - 2WD
P = PREMIUM J = JEEP - 4WD

BODY
74 = SPORT UTILITY 4-DR

ENGINE
EKG = 3.7L V6 Engine
EVA = 4.7L V8 MPI Engine
EZB = 5.7L Hemi Multi
Displacement Engine

TRANSMISSION
DGQ = 5-Spd Automatic 5-45RFE
Transmission
DGJ = 5-Speed Automatic MB
Transmission

AR = use ase required - = Non illustrated part

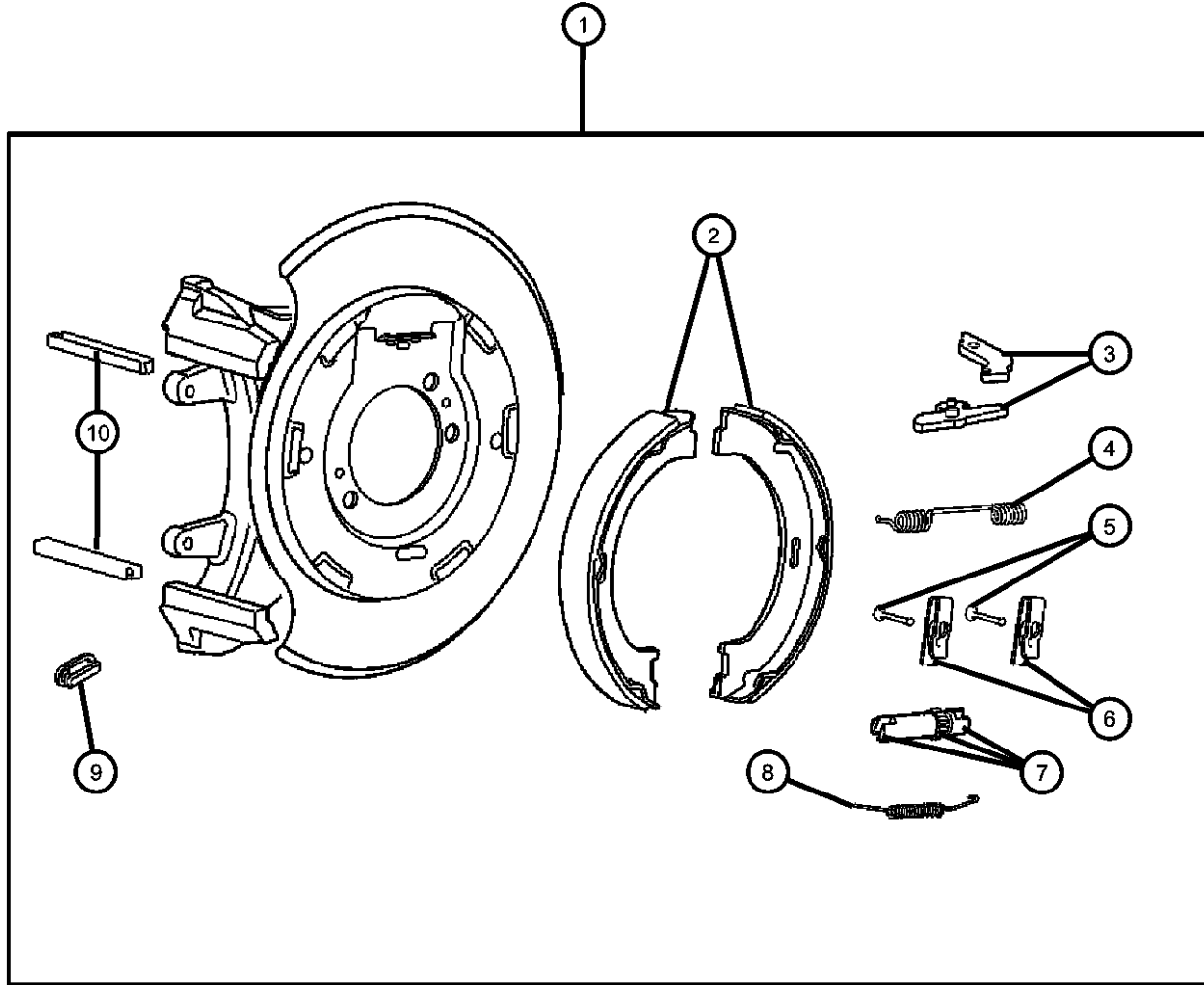
2006 XK

**Rear Disc Parking Brake Assembly
Figure 4-120**

ITEM	PART NUMBER	QTY	LINE	SERIES	BODY	ENGINE	TRANS	TRIM	DESCRIPTION
------	-------------	-----	------	--------	------	--------	-------	------	-------------

Note:Sales Codes;
[DRS]=Rear Axle - 8.25 [213MM]

1	52089418AA	2							ADAPTER, Parking Brake
2	05086930AA	1							SHOE AND LINING KIT, Drum, Complete
3	05143737AA	2							LEVER, Park Brake
4	05143732AA	2							SPRING, Park Brake Shoe Return
5	04762126	4							PIN, Brake Shoe Hold Down
6	04762125	4							CLIP, Parking Brake Hold Down
7	05143736AA	2							ADJUSTER, Parking Brake
8	04762116	2							SPRING, Park Brake Shoe Return
9	04762121	2							PLUG, Brake Adjusting Hole
10	05143705AA	1							SLIPPER KIT, Caliper, Contains 4 Slippers



NEW JEEP (XK)

SERIES	LINE
H = HIGHLINE	T = JEEP - 2WD
P = PREMIUM	J = JEEP - 4WD

BODY
74 = SPORT UTILITY 4-DR

ENGINE
EKG = 3.7L V6 Engine
EVA = 4.7L V8 MPI Engine
EZB = 5.7L Hemi Multi Displacement Engine

TRANSMISSION
DGQ = 5-Spd Automatic 5-45RFE Transmission
DGJ = 5-Speed Automatic MB Transmission

AR = use ase required - = Non illustrated part

2006 XK

Group - 5

Service Brakes

Group - 5 Service Brakes

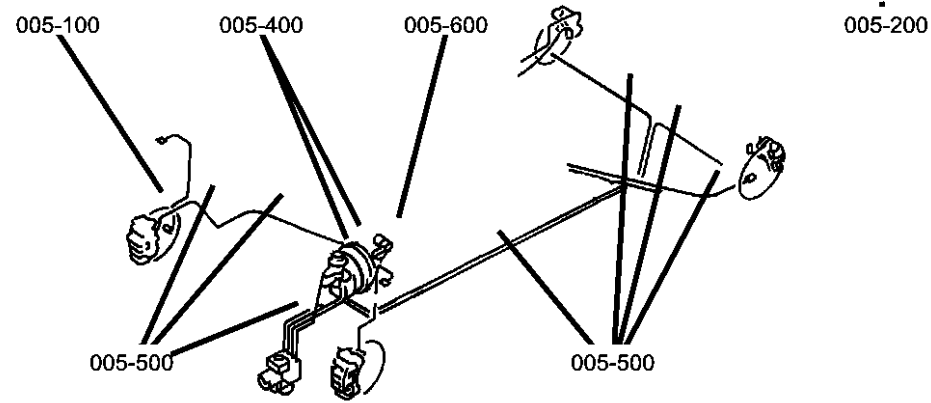


Illustration Title

Group-Fig. No.

Front Brakes

Front Disc Brakes Fig. 5 - 110

Rear Brakes

Rear Disc Brakes..... Fig. 5 - 210

Power Brake Booster

Power Brake Booster Fig. 5 - 310

Brake Master Cylinder

Master Cylinder,Brake Fig. 5 - 410

H C U and Brake Lines From HCU to Master Cylinder..... Fig. 5 - 420

Brake Lines and Hoses

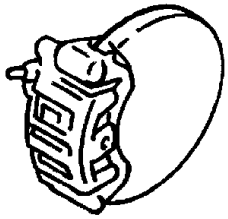
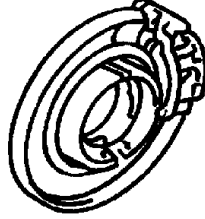
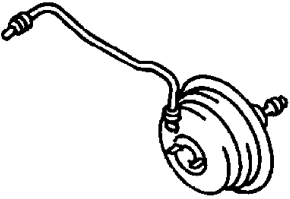
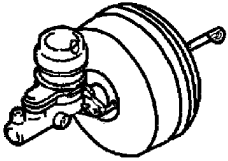
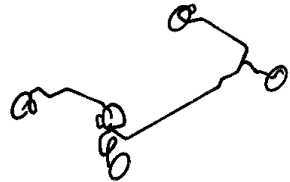

Brake Lines and Hoses,Front,2 Wheel Drive Fig. 5 - 510

Brake Lines and Hoses,Front,4 Wheel Drive Fig. 5 - 520

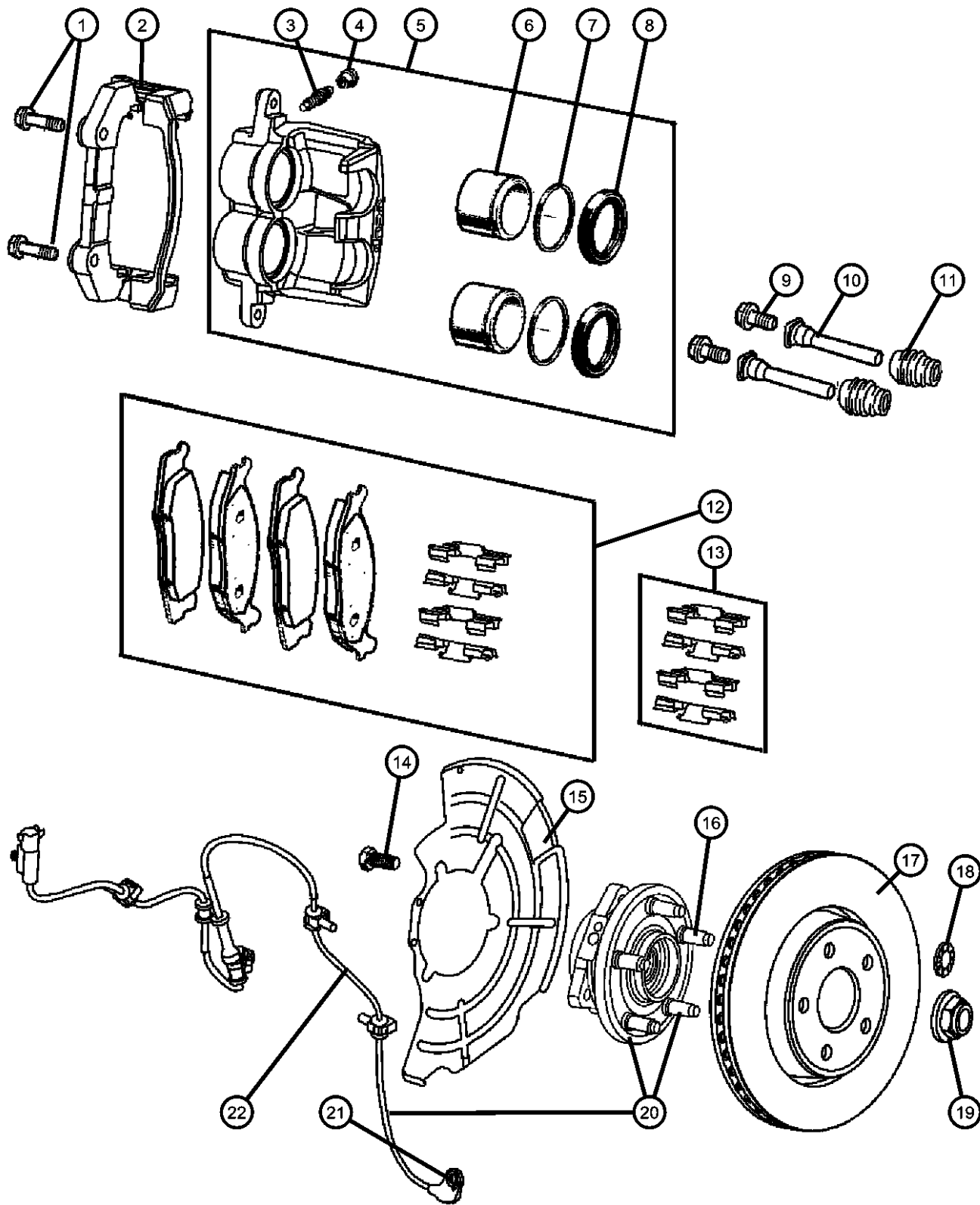
Brake Lines and Hoses,Rear and Chassis..... Fig. 5 - 530

Brake Pedals

Brake Pedals,Standard [XA8] and Adjustable [XAM,XAP]..... Fig. 5 - 610

<p>005-100 Front Brakes</p> 	<p>005-200 Rear Brakes</p> 	<p>005-300 Power Brake Booster</p> 	<p>005-400 Brake Master Cylinder</p> 
<p>005-500 Brake Lines and Hoses</p> 	<p>005-600 Brake Pedals</p> 		

Front Disc Brakes
Figure 5-110



ITEM	PART NUMBER	QTY	LINE	SERIES	BODY	ENGINE	TRANS	TRIM	DESCRIPTION
1	06507152AA	4							BOLT, Hex Flange Head, Caliper Bracket to Knuckle, Mounting BRACKET
2	05143699AB	1							BLEEDER SCREW, Brake
3	05093343AA	1							CAP, Bleeder
4	05093278AA	1							CALIPER, Disc Brake
5	05143692AA	1							Right
	05143693AA	1							Left
6	05143696AA	2							PISTON, Brake
7	05143694AA	2							SEAL, Caliper Piston
8	05143691AA	2							BOOT, Brake Piston
9	05093355AA	2							BOLT
10	05143697AA	2							PIN, Caliper
11	05103112AA	2							BOOT, Caliper Pin
12	05080868AC	1							PAD KIT, Front Disc Brake
	V1010868								Mopar V-Line Alternative Part
	V3010868								Mopar V-Line Alternative Part Ceramic
	VWKXK868AA								Make It New Brake Kits
13	05143700AA	1							SLIPPER KIT, Caliper
14	06505935AA	6							SCREW, Hub and Bearing to Knuckle, Mounting SHIELD, Splash
15	52090432AA	1							Right
	52090433AA	1							Left
16	06036424AA	5							BOLT, Hub and Rotor
17	52089269AB	2							ROTOR, Brake
18	52090051AA	2							RETAINER, Brake Rotor
19	06506454AA	2	J						NUT, Hex, Halfshaft to Hub Assembly, Mounting
20	52089434AB	2							HUB AND BEARING, Brake
21	05175374AA	2							BOLT, ABS Sensor, Mounting
22	56044144AB	2							SENSOR, Anti-Lock Brakes

NEW JEEP (XK)

SERIES LINE
H = HIGHLINE T = JEEP - 2WD
P = PREMIUM J = JEEP - 4WD

BODY
74 = SPORT UTILITY 4-DR

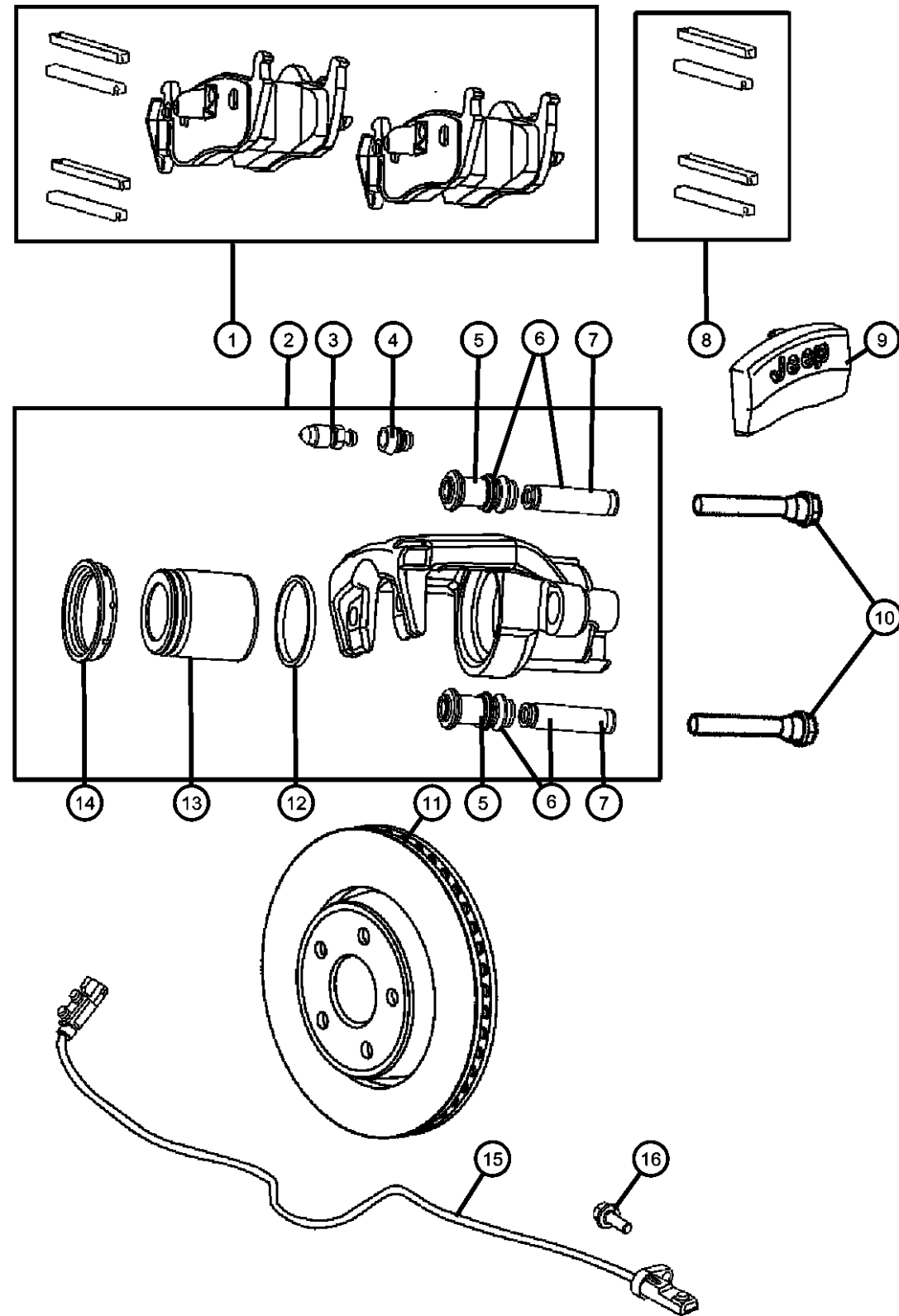
ENGINE
EKG = 3.7L V6 Engine
EVA = 4.7L V8 MPI Engine
EZB = 5.7L Hemi Multi Displacement Engine

TRANSMISSION
DGQ = 5-Spd Automatic 5-45RFE Transmission
DGJ = 5-Speed Automatic MB Transmission

AR = use ase required - = Non illustrated part

2006 XK

Rear Disc Brakes
Figure 5-210



ITEM	PART NUMBER	QTY	LINE	SERIES	BODY	ENGINE	TRANS	TRIM	DESCRIPTION
1	05080871AB V2010871 V4010871	1							PAD KIT, Rear Disc Brake Mopar V-Line Alternative Part Mopar V-Line Alternative Part Ceramic
2	05143702AA 05143703AA	1 1							CALIPER, Disc Brake Right Left
3	05093343AA	2							BLEEDER SCREW, Brake
4	05093278AA	2							CAP, Bleeder
5	04762105	4							SLEEVE, Brake Caliper
6	05103158AA	1							BUSHING AND SLEEVE KIT, Caliper, Contains 2 Pins and 2 Bushings
7	04762106	4							BUSHING, Caliper
8	05143705AA	1							SLIPPER KIT, Caliper
9	52090410AA	2							COVER, Brake Caliper
10	06507603AA	4							PIN, Caliper
11	52089275AB	2							ROTOR, Brake
12	05143694AA	2							SEAL, Caliper Piston
13	05143704AA	2							PISTON, Brake
14	05143691AA	2							BOOT, Brake Piston
15	56044146AA	2							SENSOR, Wheel Speed
16	06508345AA	2							SCREW, Hex Head, Wheel Speed Sensor, Mounting
-17	52090051AA	2							RETAINER, Brake Rotor

NEW JEEP (XK)

SERIES LINE
H = HIGHLINE T = JEEP - 2WD
P = PREMIUM J = JEEP - 4WD

BODY
74 = SPORT UTILITY 4-DR

ENGINE
EKG = 3.7L V6 Engine
EVA = 4.7L V8 MPI Engine
EZB = 5.7L Hemi Multi
Displacement Engine

TRANSMISSION
DGQ = 5-Spd Automatic 5-45RFE
Transmission
DGJ = 5-Speed Automatic MB
Transmission

AR = use ase required - = Non illustrated part

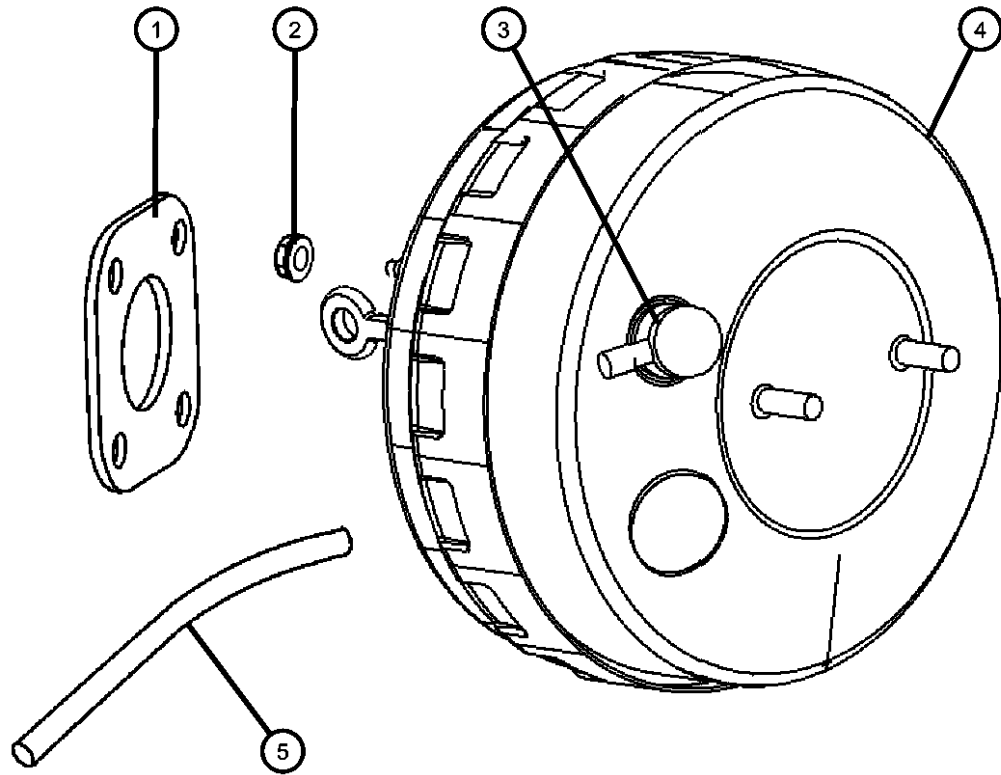
2006 XK

**Power Brake Booster
Figure 5-310**

ITEM	PART NUMBER	QTY	LINE	SERIES	BODY	ENGINE	TRANS	TRIM	DESCRIPTION
------	-------------	-----	------	--------	------	--------	-------	------	-------------

Note:Sales Codes;
 [EK0]=Engine - All 3.7L 6 Cylinder Gas
 [ES0]=Engines - All 6 L Engines
 [EV0]=Engines - All 4.7L Gas
 [EZ0]=Engines - All 5.7L 8 Cylinder Gas

1	05143281AA	1							GASKET, Booster to Dash, Mounting
2	06101695	4							NUT, Hex Flange Lock, Booster to Dash, Mounting
3	05143282AA	1							VALVE, Check, Elbow, With Grommet
4	05175731AA	1							BOOSTER, Power Brake
5									HOSE, Brake Vacuum
	52089263AB	1							[EV0]
	52089996AC	1							[EZ0]
	52124112AA	1							[EK0]



NEW JEEP (XK)

SERIES LINE
 H = HIGHLINE T = JEEP - 2WD
 P = PREMIUM J = JEEP - 4WD

BODY
 74 = SPORT UTILITY 4-DR

ENGINE
 EKG = 3.7L V6 Engine
 EVA = 4.7L V8 MPI Engine
 EZB = 5.7L Hemi Multi Displacement Engine

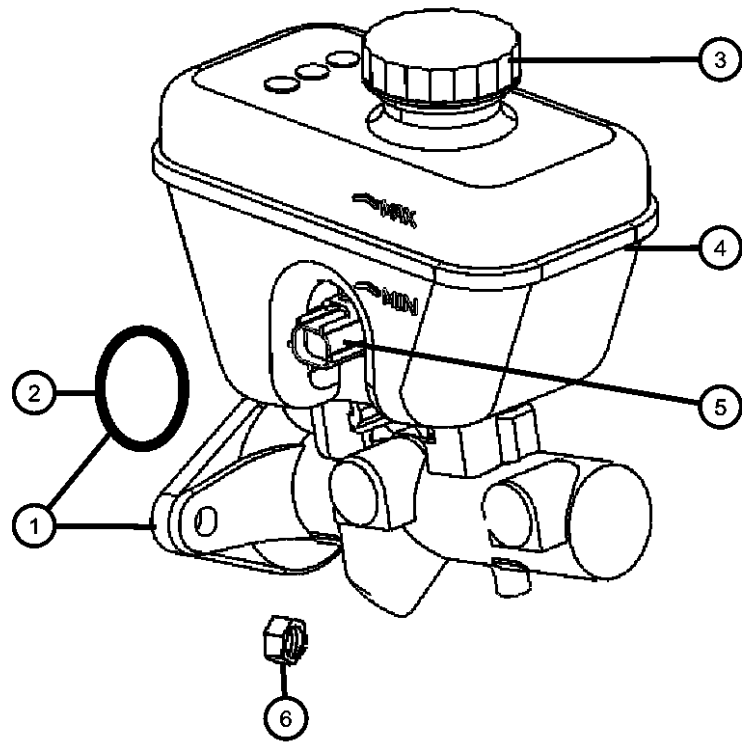
TRANSMISSION
 DGQ = 5-Spd Automatic 5-45RFE Transmission
 DGJ = 5-Speed Automatic MB Transmission

AR = use ase required - = Non illustrated part

2006 XK

**Master Cylinder, Brake
Figure 5-410**

ITEM	PART NUMBER	QTY	LINE	SERIES	BODY	ENGINE	TRANS	TRIM	DESCRIPTION
1	05175732AA	1							MASTER CYLINDER, Brake
2	68027828AA	1	J, T		74				O RING, Master Cylinder to Booster, Mounting
3	05014518AA	1							CAP, Master Cylinder Reservoir
4	05143283AA	1							RESERVOIR, Brake Master Cylinder
5	05013903AA	1							SENSOR, Brake Fluid Level
6	05179375AA	2							NUT, Master Cylinder to Booster, Mounting



NEW JEEP (XK)

SERIES LINE
H = HIGHLINE T = JEEP - 2WD
P = PREMIUM J = JEEP - 4WD

BODY
74 = SPORT UTILITY 4-DR

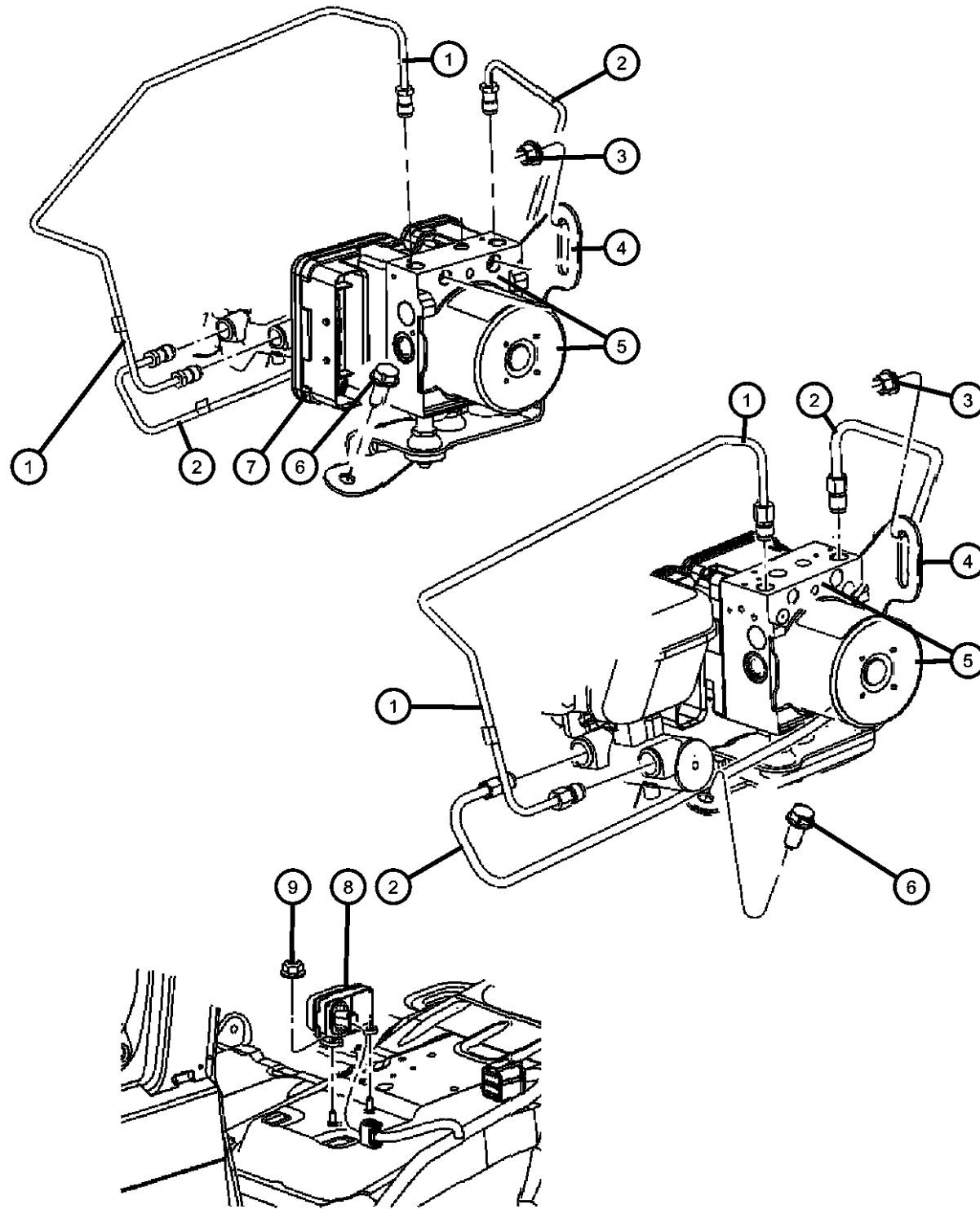
ENGINE
EKG = 3.7L V6 Engine
EVA = 4.7L V8 MPI Engine
EZB = 5.7L Hemi Multi
Displacement Engine

TRANSMISSION
DGQ = 5-Spd Automatic 5-45RFE
Transmission
DGJ = 5-Speed Automatic MB
Transmission

AR = use ase required - = Non illustrated part

2006 XK

**H C U and Brake Lines From HCU to Master Cylinder
Figure 5-420**



ITEM	PART NUMBER	QTY	LINE	SERIES	BODY	ENGINE	TRANS	TRIM	DESCRIPTION
------	-------------	-----	------	--------	------	--------	-------	------	-------------

Note:Sales Codes;
 [BNB]=Electronic Stability Program
 [DHB]=Quadra-Trac Active On Demand 4WD
 [DHX]=Quadra-Trac II Full-Time Active 4WD
 [DHZ]=Quadra-Trac k I Full-Time 4WD
 [EK0]=ALL 3.7L 6-CYL GAS ENGINES
 [ES0]=ALL 6 L ENGINES
 [EVO]=ALL 4.7L GAS ENGINES
 [EZ0]=ALL 5.7L 8CYL GAS ENGINES

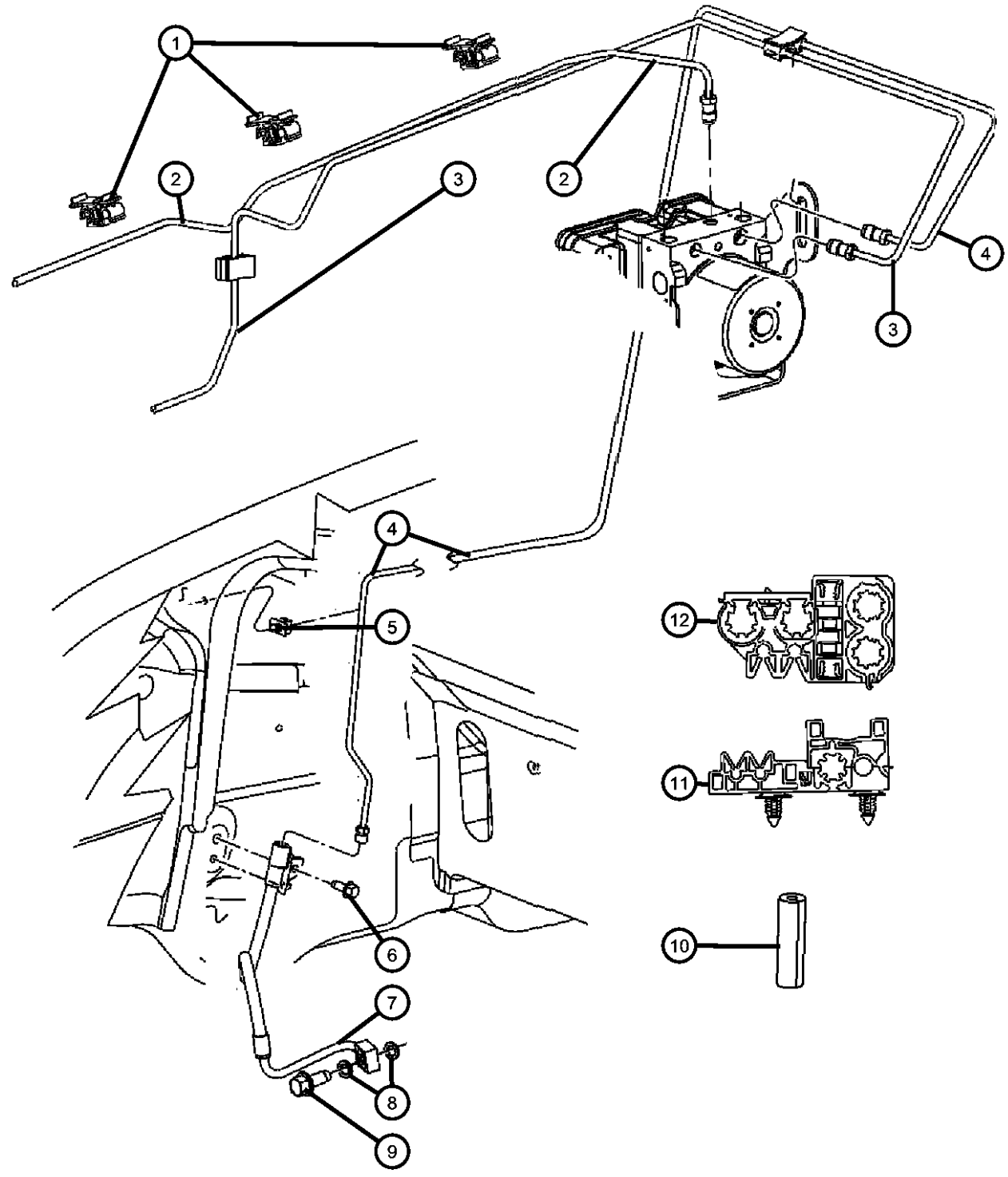
1	52090405AF	1							TUBE, BrakeSecondary
2	52124077AB	1							TUBE, BrakePrimary
3	34201711	1							NUT, Hex Flange, M8x1.25, HCU Bracket, Mounting
4	05179774AA	1							BRACKET, Hydraulic Control Unit
5	05179771AA	1							CONTROL UNIT, Anti-Lock Brake
6	06104024AA	1							SCREW, HCU Bracket, Mounting
7	05179776AA	1							MODULE, Anti-lock Brakes
8									MODULE, Electronic Stability
	56029328AB	1			T				[BNB]
		1			J				[BNB,DHZ]
9	06104715AA	2							NUT
-10	05159024AA	1							O RING

NEW JEEP (XK)

SERIES	LINE	BODY	ENGINE	TRANSMISSION
H = HIGHLINE	T = JEEP - 2WD	74 = SPORT UTILITY 4-DR	EKG = 3.7L V6 Engine	DGQ = 5-Spd Automatic 5-45RFE Transmission
P = PREMIUM	J = JEEP - 4WD		EVA = 4.7L V8 MPI Engine	DGJ = 5-Speed Automatic MB Transmission
			EZB = 5.7L Hemi Multi Displacement Engine	

AR = use ase required - = Non illustrated part

**Brake Lines and Hoses,Front,2 Wheel Drive
Figure 5-510**



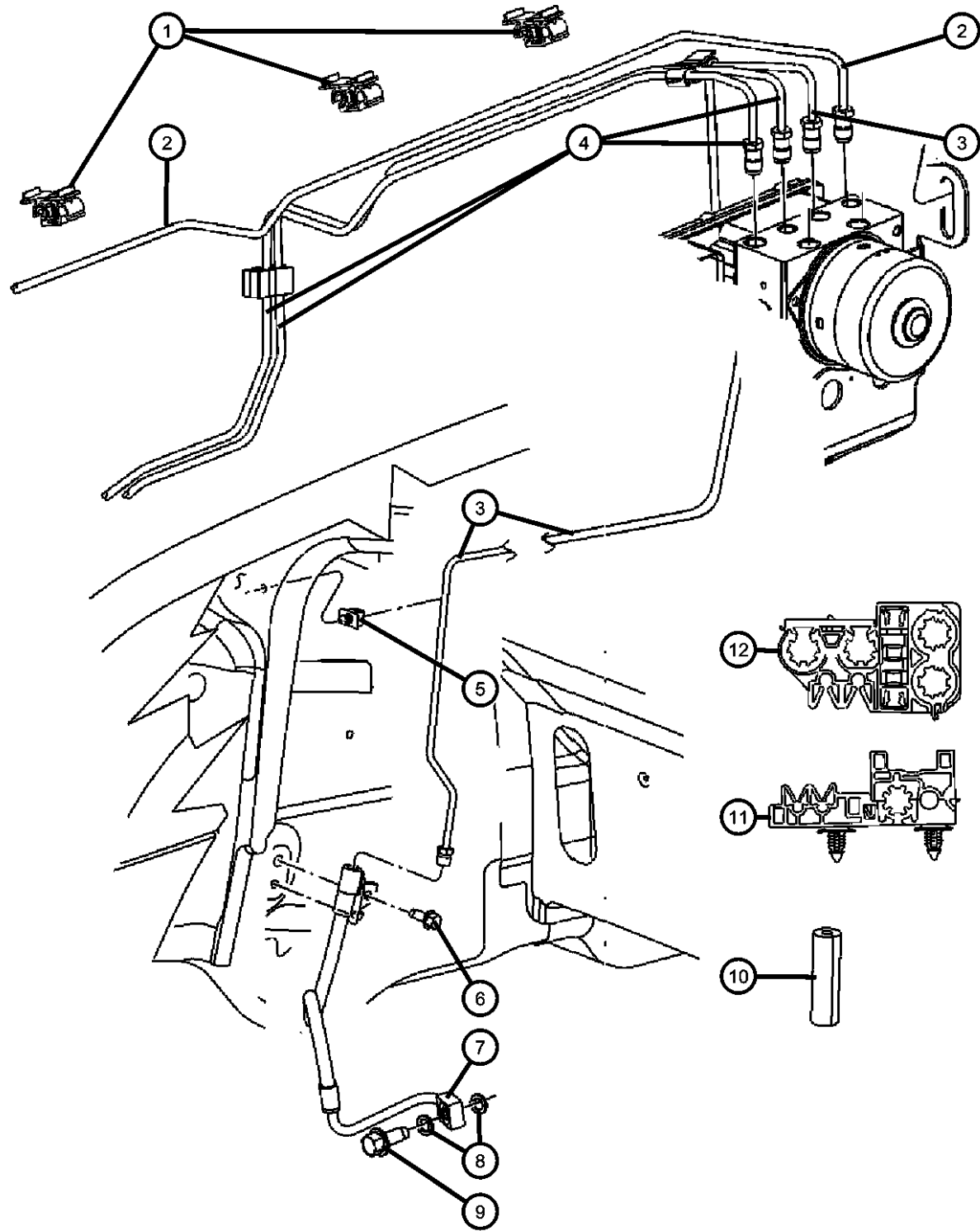
ITEM	PART NUMBER	QTY	LINE	SERIES	BODY	ENGINE	TRANS	TRIM	DESCRIPTION
1	52128214	3							CLIP, Brake Line, To Front of Plenum, Mounting
2	52124132AB	1							TUBE, Brake, HCU to Front Brake Hose, Right
3									BUNDLE, Fuel and Brake Tube [EK0,EV0]
	52124026AE	1							[EZ0]
	52124240AB	1							[EZ0]
4	52090403AD	1							TUBE, Brake, HCU to Front Brake Hose, Left
5	52009234	2							CLIP, Brake Line, Brake Tube to Sill, Mounting
6	52009234	2							SCREW AND WASHER, Hex Head, M6x1x18.5, Quantity 2, (NOT SERVICED)
7									HOSE, Brake
	52089256AC	1	J, T		74				Right
	52089258AC	1	J, T		74				Left
8	J3237672	8							GASKET, Brake Hose To CaliperMounting
9	06035832	4							BOLT, BanjoMounting
10	05189384AA	1							GROMMET, For Item 3, Mounting
11	05189383AA	2							CLIP, 4 Way, Fuel Bundle, For Item 3, Mounting
12	05189386AA	4							CLIP, 4 Way, Fuel Bundle, For Item 3, Mounting

NEW JEEP (XK)

SERIES	LINE	BODY	ENGINE	TRANSMISSION
H = HIGHLINE	T = JEEP - 2WD	74 = SPORT UTILITY 4-DR	EKG = 3.7L V6 Engine	DGQ = 5-Spd Automatic 5-45RFE
P = PREMIUM	J = JEEP - 4WD		EVA = 4.7L V8 MPI Engine	Transmission
			EZB = 5.7L Hemi Multi Displacement Engine	DGJ = 5-Speed Automatic MB Transmission

AR = use ase required - = Non illustrated part

**Brake Lines and Hoses,Front,4 Wheel Drive
Figure 5-520**



ITEM	PART NUMBER	QTY	LINE	SERIES	BODY	ENGINE	TRANS	TRIM	DESCRIPTION
------	-------------	-----	------	--------	------	--------	-------	------	-------------

Note:Sales Codes;
 [EK0]=Engine - All 3.7L 6 Cylinder Gas
 [ES0]=Engines - All 6 L Engines
 [EV0]=Engines - All 4.7L Gas
 [EZ0]=Engines - All 5.7L 8 Cylinder Gas

1	52128214	3							CLIP, Brake Line, To Front of Plenum, Mounting
2	52124132AB	1							TUBE, BrakeRight
3	52090403AD	1							TUBE, BrakeLeft
4									BUNDLE, Fuel and Brake Tube
	52124026AE	1							[EK0,EV0] To Rear Brake Hoses, Chassis
	52124240AB	1							[EZ0] To Rear Brake Hoses, Chassis
5	52009234	2							CLIP, Brake Line, Brake Tube to Sill, Mounting
6	52009234	2							SCREW AND WASHER, M6x1x18.50, (NOT SERVICED)
7									HOSE, Brake
	52089256AC	1	J, T			74			Right
	52089258AC	1	J, T			74			Left
8	J3237672	8							GASKET, Brake Hose To CaliperMounting
9	06035832	4							BOLT, BanjoMounting
10	05189384AA	1							GROMMET, For Item 4, Mounting
11	05189383AA	2							CLIP, 4 Way, Fuel Bundle, For Item 4, Mounting
12	05189386AA	4							CLIP, 4 Way, Fuel Bundle, For Item 4, Mounting

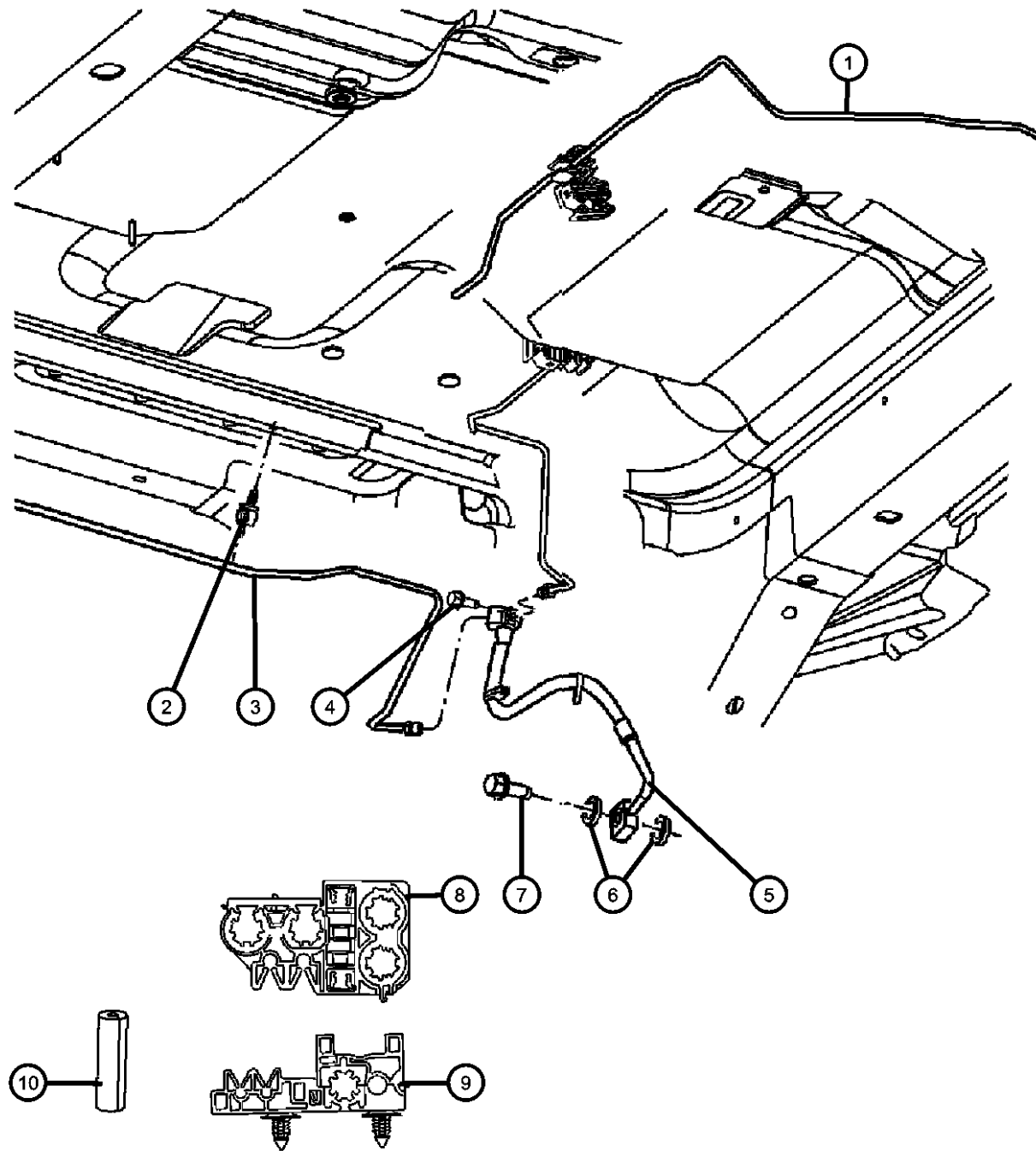
NEW JEEP (XK)

SERIES	LINE	BODY	ENGINE	TRANSMISSION
H = HIGHLINE	T = JEEP - 2WD	74 = SPORT UTILITY 4-DR	EKG = 3.7L V6 Engine	DGQ = 5-Spd Automatic 5-45RFE Transmission
P = PREMIUM	J = JEEP - 4WD		EVA = 4.7L V8 MPI Engine	DGJ = 5-Speed Automatic MB Transmission
			EZB = 5.7L Hemi Multi Displacement Engine	

AR = use ase required - = Non illustrated part

2006 XK

**Brake Lines and Hoses,Rear and Chassis
Figure 5-530**



ITEM	PART NUMBER	QTY	LINE	SERIES	BODY	ENGINE	TRANS	TRIM	DESCRIPTION
------	-------------	-----	------	--------	------	--------	-------	------	-------------

Note:Sales Codes:

- [EK0]=Engines - All 3.7L 6 Cylinder Gas
- [ESF]=Engine - 6.1L SRT Hemi SMPI V8 Engine
- [EV0]=Engines - All 4.7L Gas
- [EZ0]=Engines - All 5.7L 8 Cylinder Gas

1	52124026AE	1							BUNDLE, Fuel and Brake Tube [EK0,EV0], Chassis
	52124240AB	1							[EZ0], Chassis
2	06506087AA	1							CLIP, Brake Line, Brake Line to Sill, Mounting
3	52089995AE	1							TUBE, Brake, Left Hose to Right Hose
4	52089995AE	1							SCREW AND WASHER, Hex Head, M6x1x18.5, Quantity 2, (NOT SERVICED)
5									HOSE, Brake
	52089259AC	1							Right
	52089997AD	1							Left
6	06035886	8							GASKET, Brake Hose To CaliperMounting
7	06035832	2							BOLT, BanjoMounting
8	05189386AA	4							CLIP, 4 Way, Fuel Bundle, For Item 1, Mounting
9	05189383AA	2							CLIP, 4 Way, Fuel Bundle, For Item 1, Mounting
10	05189384AA	1							GROMMET, For Item 1, Mounting

NEW JEEP (XK)

SERIES LINE
H = HIGHLINE T = JEEP - 2WD
P = PREMIUM J = JEEP - 4WD

BODY
74 = SPORT UTILITY 4-DR

ENGINE
EKG = 3.7L V6 Engine
EVA = 4.7L V8 MPI Engine
EZB = 5.7L Hemi Multi
Displacement Engine

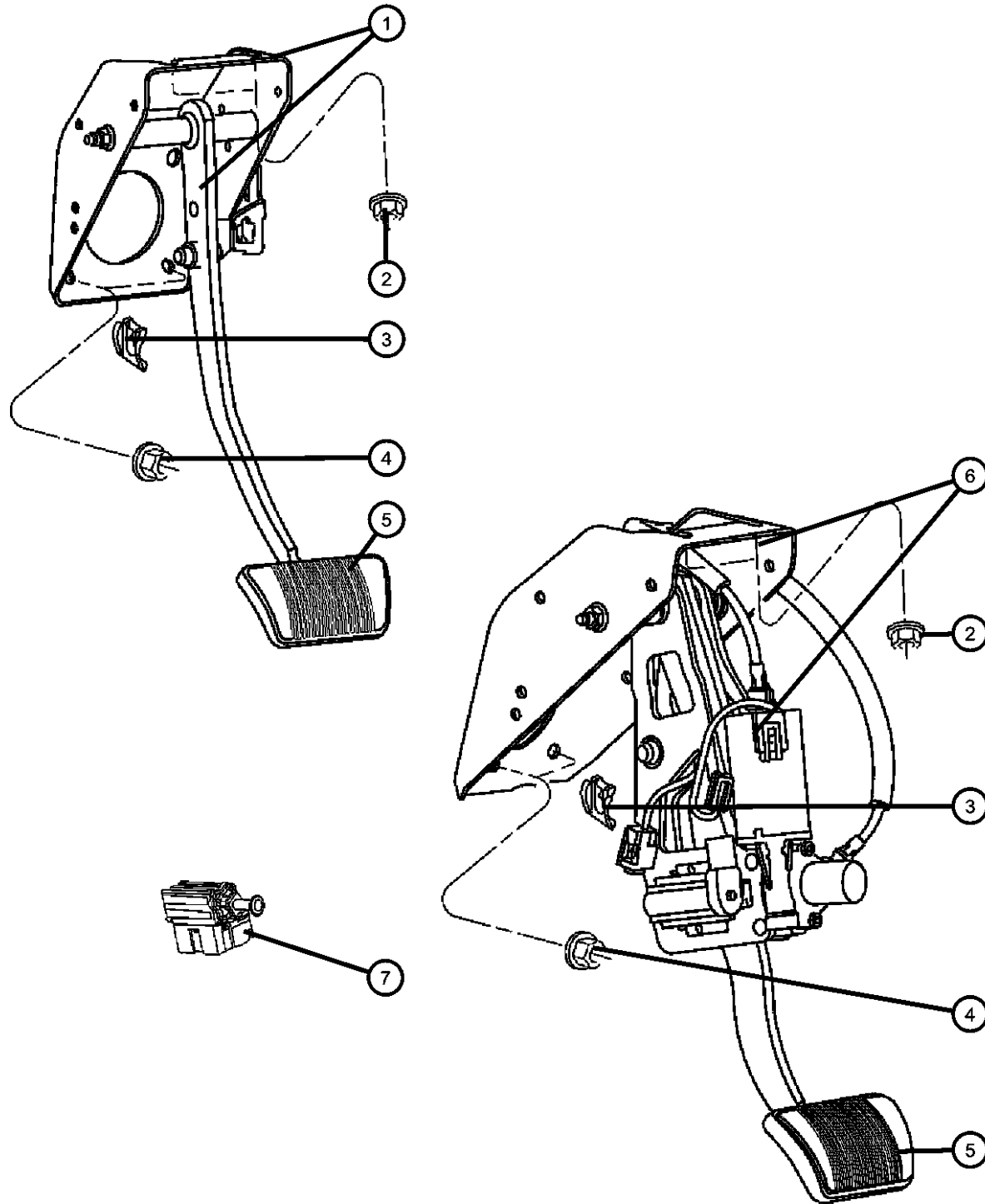
TRANSMISSION
DGQ = 5-Spd Automatic 5-45RFE
Transmission
DGJ = 5-Speed Automatic MB
Transmission

AR = use ase required - = Non illustrated part

2006 XK

**Brake Pedals, Standard [XA8] and Adjustable [XAM,XAP]
Figure 5-610**

ITEM	PART NUMBER	QTY	LINE	SERIES	BODY	ENGINE	TRANS	TRIM	DESCRIPTION
------	-------------	-----	------	--------	------	--------	-------	------	-------------



Note: Sales Codes;
[XAM]=Pedals - Power Adjustable with Memory
[XAP]=Pedals - Power Adjustable
[XA8]=Pedals - Non Adjustable

1	52089244AD	1							PEDAL, Brake, With [XA8]
2	06101695	2							NUT, Hex Flange Lock, Pedal Bracket, Mounting
3	06035334	1							CLIP, Booster Push Rod to Pedal Pin, Mounting
4	06101695	4							NUT, Hex Flange Lock, Booster To Sled, Mounting
5									PAD, Pedal
	04779027	1							With [XA8]
	05102023AB	1							With [XAM,XAP]
6	52089242AD	1							PEDAL, Brake, With [XAM,XAP]
7	56054001AA	1							SWITCH, Stop Lamp

NEW JEEP (XK)

SERIES	LINE
H = HIGHLINE	T = JEEP - 2WD
P = PREMIUM	J = JEEP - 4WD

BODY
74 = SPORT UTILITY 4-DR

ENGINE
EKG = 3.7L V6 Engine
EVA = 4.7L V8 MPI Engine
EZB = 5.7L Hemi Multi Displacement Engine

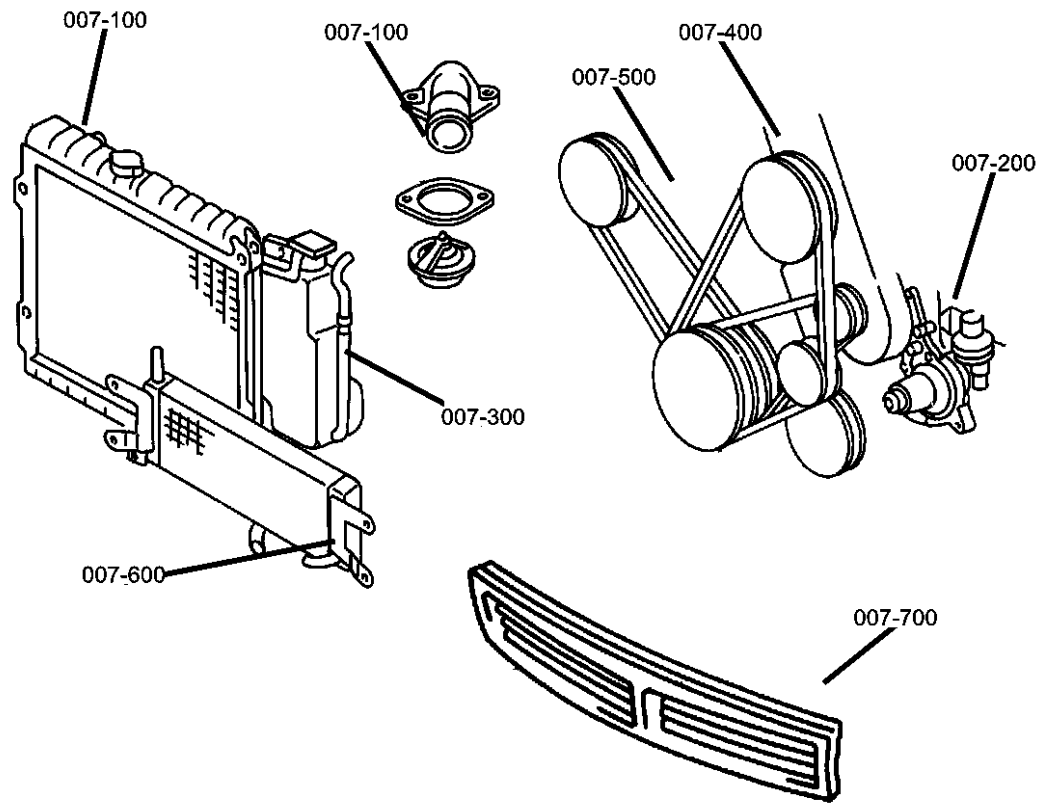
TRANSMISSION
DGQ = 5-Spd Automatic 5-45RFE Transmission
DGJ = 5-Speed Automatic MB Transmission

AR = use ase required - = Non illustrated part

2006 XK

Group - 7

Cooling



Group - 7 Cooling

Illustration Title

Group-Fig. No.

Radiator and Related Parts

Radiator and Related Parts 3.7, 4.7L Engines.....	Fig. 7 - 160
Radiator and Related Parts 5.7L Engine.....	Fig. 7 - 165
Radiator Upper Support.....	Fig. 7 - 170

Water Pump and Related Parts

Water Pump and Related Parts 3.7, 4.7L Engine.....	Fig. 7 - 220
Water Pump and Related Parts 5.7L Engine.....	Fig. 7 - 230

Tank, Coolant Engine

Coolant Tank.....	Fig. 7 - 310
-------------------	--------------

Pulleys and Related Parts

Drive Pulleys 3.7L,4.7L Engines.....	Fig. 7 - 430
Drive Pulleys 5.7L Engine.....	Fig. 7 - 440

Drive Belts

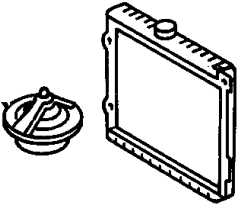
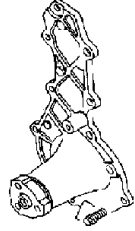
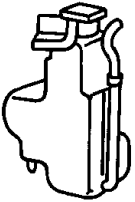
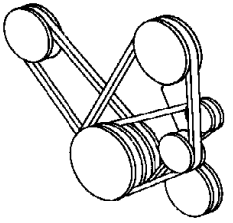
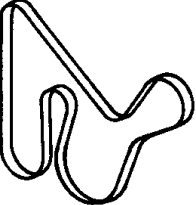
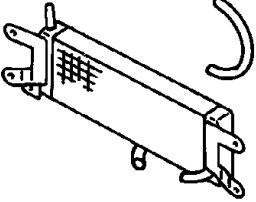
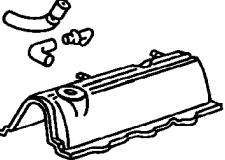
Drive Belts 3.7,4.7L Engines.....	Fig. 7 - 510
Drive Belts 5.7L Engine.....	Fig. 7 - 520

Lines, Transmission Oil Cooler

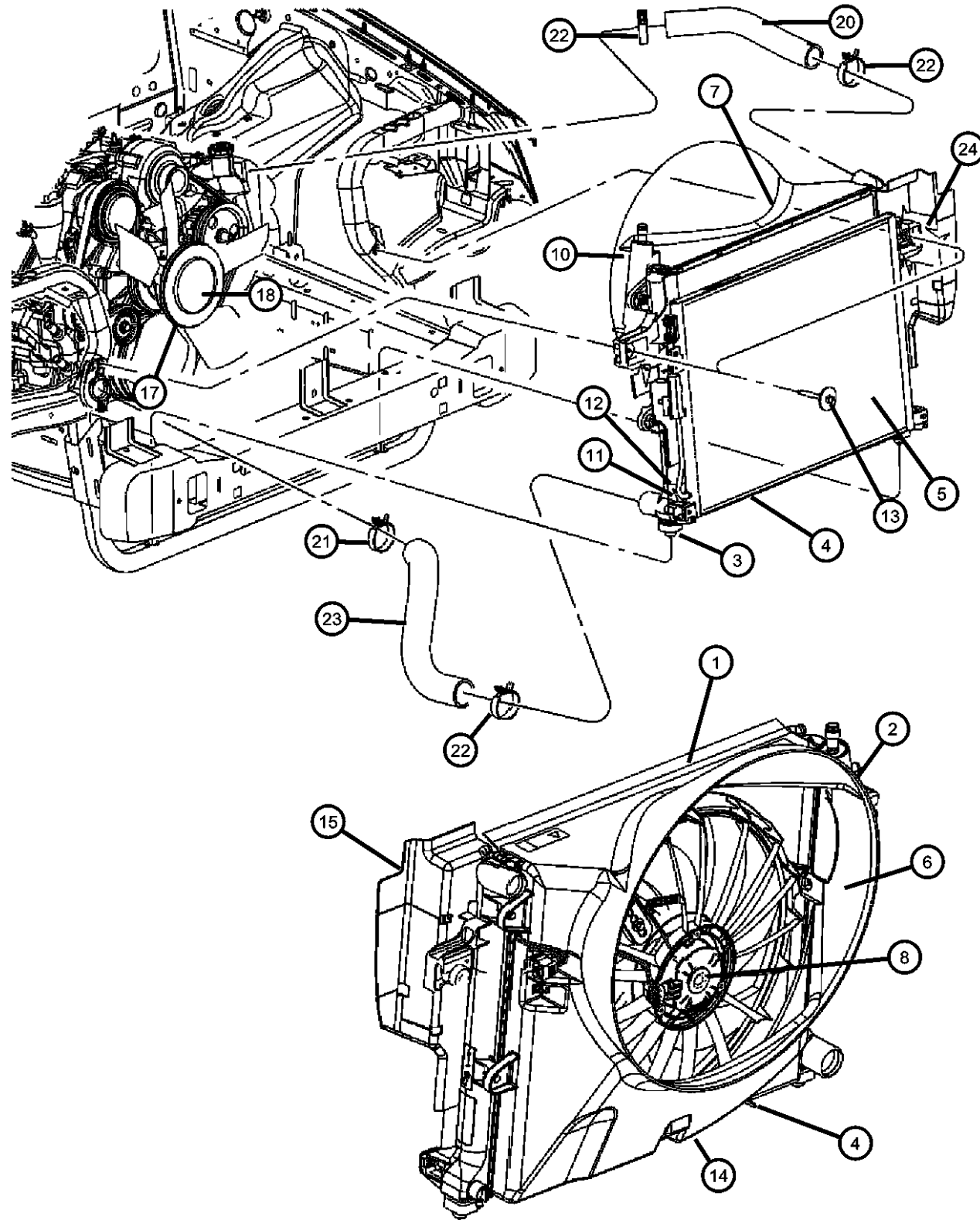
Oil Cooler and Lines.....	Fig. 7 - 620
---------------------------	--------------

Grilles

Grille and Related Parts.....	Fig. 7 - 720
-------------------------------	--------------

<p>007-100 Radiator and Related Parts</p> 	<p>007-200 Water Pump and Related Parts</p> 	<p>007-300 Tank, Coolant Engine</p> 	<p>007-400 Pulleys and Related Parts</p> 
<p>007-500 Drive Belts</p> 	<p>007-600 Lines, Transmission Oil Cooler</p> 	<p>007-700 Grilles</p> 	

**Radiator and Related Parts 3.7, 4.7L Engines
Figure 7-160**



ITEM	PART NUMBER	QTY	LINE	SERIES	BODY	ENGINE	TRANS	TRIM	DESCRIPTION
------	-------------	-----	------	--------	------	--------	-------	------	-------------

NOTES: Sales Codes:
 [DG0] = ALL AUTOMATIC TRANSMISSIONS
 [EK0] = ALL 3.7L 6-CYL GAS ENGINES
 [EV0] = ALL 4.7L GAS ENGINES

1	55116849AB	1				EK0, EV0	DG0		RADIATOR, Engine Cooling
2	55116897AA	1				EK0, EV0	DG0		CAP, Radiator
3									ISOLATOR, Radiator
	52079419	1				EK0, EV0	DG0		Upper
	52079884AA	1				EK0, EV0	DG0		Lower
4	04644269	1				EK0, EV0	DG0		DRAINCOCK, Radiator
5	55116928AA	1				EK0, EV0	DG0		CONDENSER, A/C
6	05143209AA	1				EK0, EV0	DG0		SHROUD, FanManual
7	55116955AB	1				EK0, EV0	DG0		LABEL, Belt Routing
8	05143208AA	1				EK0, EV0	DG0		FAN & MOTOR ASSY, FAN & MOTOR ASSY
-9	05166424AA	1				EK0, EV0	DG0		HARNESS, Wiring
10	55116723AC	1				EK0, EV0	DG0		DRIER, DRIER-RECEIVER
11									WASHER, Sealing
	05161784AA	1				EK0			
		1				EV0			
12	05179412AA	2							RETAINER
13	06101455	2							SCREW AND WASHER, Hex Head, M6x1x20
14	55116920AA	2				EK0, EV0	DG0		SEAL, Radiator Lower
15	55037711AA	1				EK0, EV0	DG0		SEAL, Radiator SideLeft
-16	55037711AA	1							SEAL, Radiator Side, right, (NOT SERVICED)
17	55116884AA	1				EV0			FAN, Cooling
18	55116882AA	1				EV0			VISCOUS CLUTCH, Fan Drive
-19	06034860	4				EV0			BOLT AND WASHER, Implement Attaching, Fan to Viscous Drive
20									HOSE, Radiator Inlet
	55116866AA	1				EV0			
	55116867AA	1				EK0			
21	06032277	1				EK0, EV0			CLAMP, Radiator, Pump Inlet Attach
22	06032277	1							CLAMP, Hose to Radiator, 52005580, (NOT SERVICED)
23									HOSE, Radiator Outlet

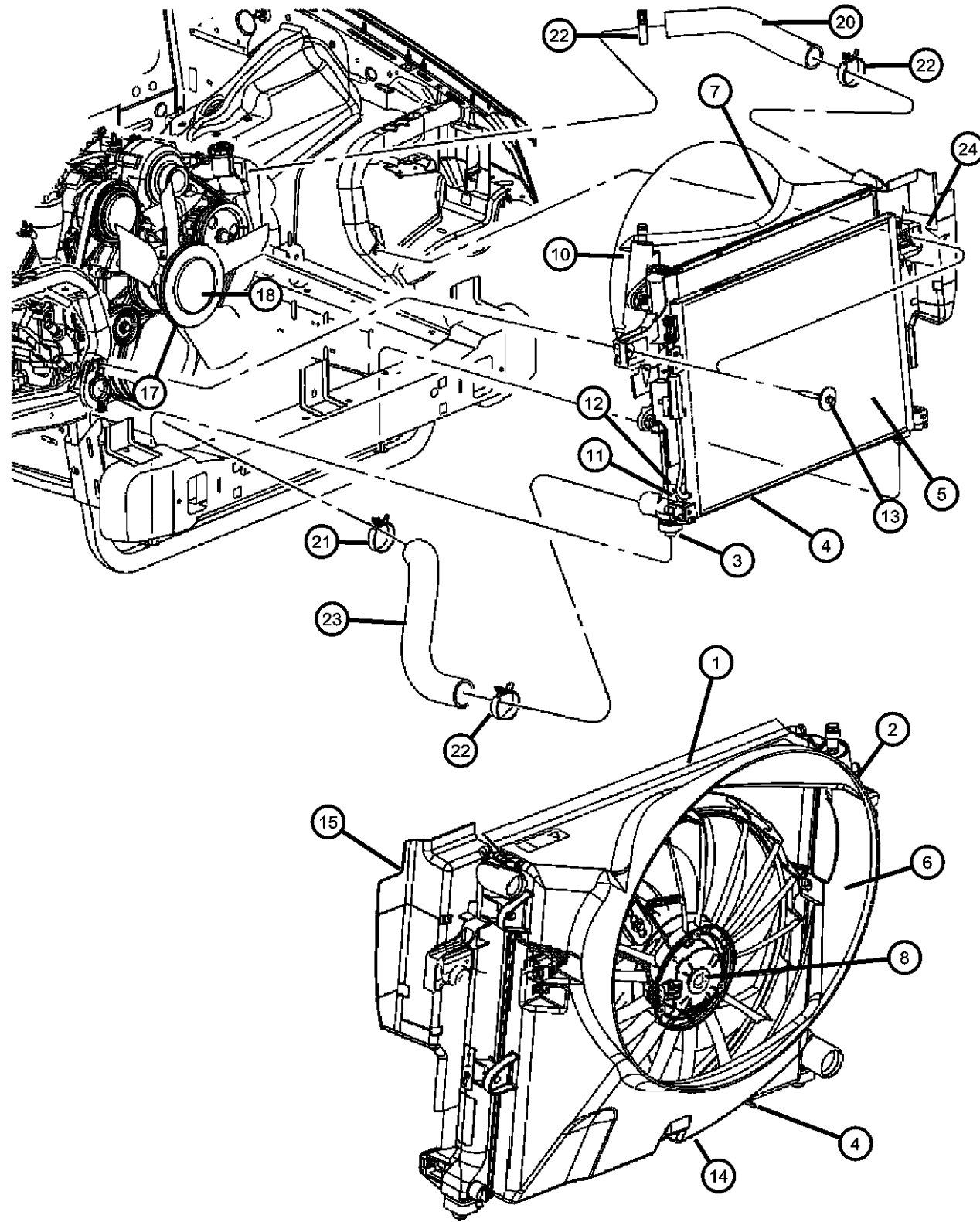
NEW JEEP (XK)

SERIES	LINE	BODY	ENGINE	TRANSMISSION
H = HIGHLINE	T = JEEP - 2WD	74 = SPORT UTILITY 4-DR	EKG = 3.7L V6 Engine	DGQ = 5-Spd Automatic 5-45RFE Transmission
P = PREMIUM	J = JEEP - 4WD		EVA = 4.7L V8 MPI Engine	DGJ = 5-Speed Automatic MB Transmission
			EZB = 5.7L Hemi Multi Displacement Engine	

AR = use ase required - = Non illustrated part

2006 XK

Radiator and Related Parts 3.7, 4.7L Engines
Figure 7-160



ITEM	PART NUMBER	QTY	LINE	SERIES	BODY	ENGINE	TRANS	TRIM	DESCRIPTION
	55116869AB	1				EVO			
	55116870AB	1				EKO			
24	06506293AA	2							PIN, Push, Radiator Side Seal to Support

NEW JEEP (XK)				
SERIES	LINE	BODY	ENGINE	TRANSMISSION
H = HIGHLINE	T = JEEP - 2WD	74 = SPORT UTILITY 4-DR	EKG = 3.7L V6 Engine	DGQ = 5-Spd Automatic 5-45RFE
P = PREMIUM	J = JEEP - 4WD		EVA = 4.7L V8 MPI Engine	Transmission
			EZB = 5.7L Hemi Multi Displacement Engine	DGJ = 5-Speed Automatic MB Transmission

AR = use ase required - = Non illustrated part

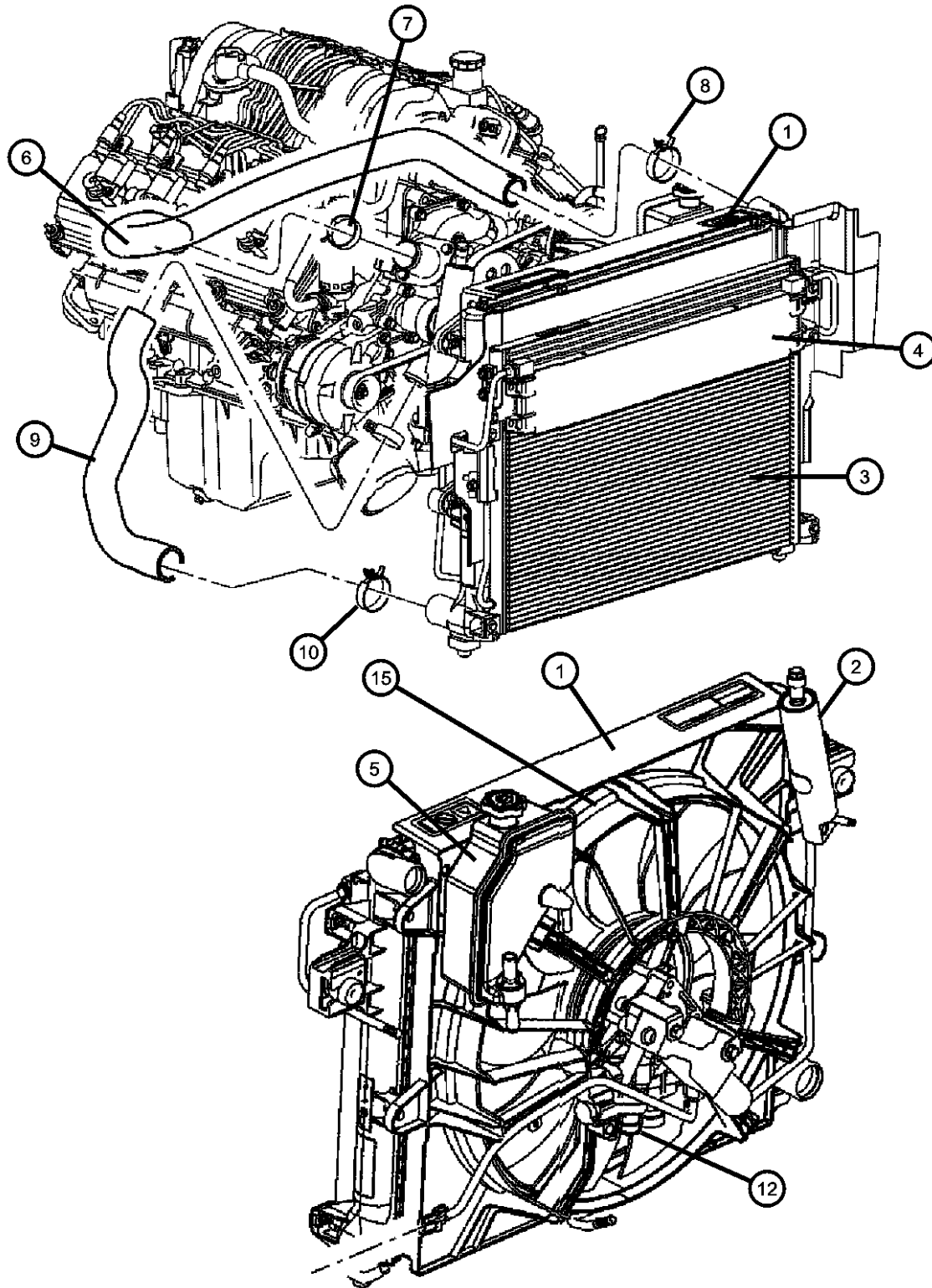
2006 XK

**Radiator and Related Parts 5.7L Engine
Figure 7-165**

ITEM	PART NUMBER	QTY	LINE	SERIES	BODY	ENGINE	TRANS	TRIM	DESCRIPTION
------	-------------	-----	------	--------	------	--------	-------	------	-------------

NOTES: Sales Codes:
[EZ0] = ALL 5.7L 8CYL GAS ENGINES

1	55116842AB	1				EZ0	DG0		RADIATOR, Engine Cooling
2	55116723AC	1				EZ0	DG0		DRIER, DRIER-RECEIVER
3	55116928AA	1				EZ0	DG0		CONDENSER, A/C
4	55116927AA	1				EZ0	DG0		COOLER, Power Steering
5	52089905AC	1				EZ0	DG0		RESERVOIR, Power Steering Fluid
6	55116865AC	1				EZ0			HOSE, Radiator Inlet
7	55116865AC	1							CLAMP, 06033135, (NOT SERVICED)
8	55116865AC	1							CLAMP, Hose to Radiator, 52005580, (NOT SERVICED)
9	55116868AB	1				EZ0			HOSE, Radiator Outlet
10	06032277	1							CLAMP, Radiator
-11	05143201AA	1				EZ0	DG0		SOLENOID, Hydraulic Fan Control
12	55037858AA	1				EZ0	DG0		FITTING, Quick Connect
-13	52028898AE	1				EZ0			THERMOSTAT, 195 Degrees
-14	06507071AA	2				EZ0			SCREW AND WASHER, Hex
15	05191827AA	1				EZ0	DG0		SHROUD MODULE, Fan, Complete Shroud Assy



NEW JEEP (XK)

SERIES LINE
H = HIGHLINE T = JEEP - 2WD
P = PREMIUM J = JEEP - 4WD

BODY
74 = SPORT UTILITY 4-DR

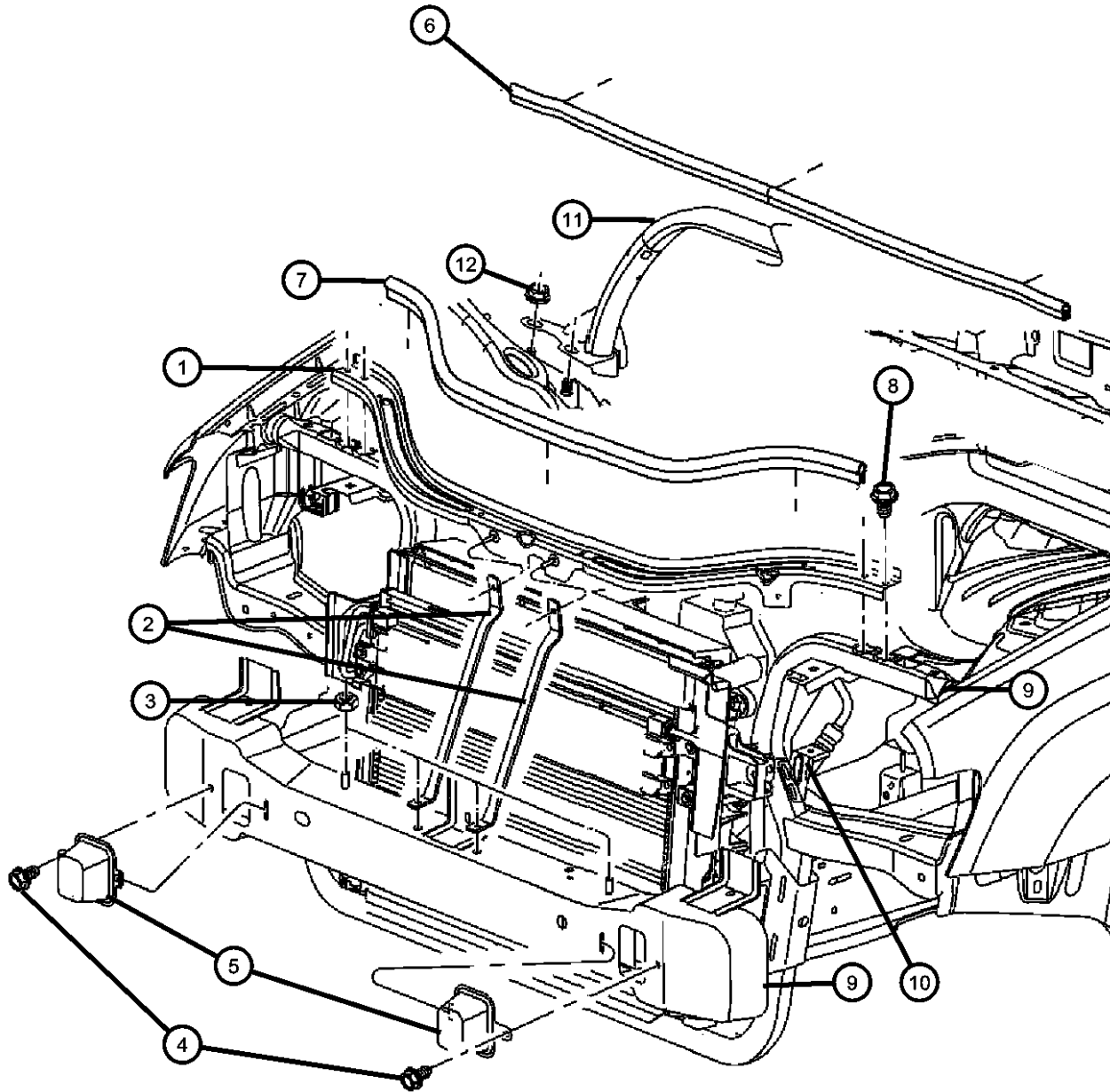
ENGINE
EKG = 3.7L V6 Engine
EVA = 4.7L V8 MPI Engine
EZB = 5.7L Hemi Multi Displacement Engine

TRANSMISSION
DGQ = 5-Spd Automatic 5-45RFE Transmission
DGJ = 5-Speed Automatic MB Transmission

AR = use ase required - = Non illustrated part

2006 XK

**Radiator Upper Support
Figure 7-170**



ITEM	PART NUMBER	QTY	LINE	SERIES	BODY	ENGINE	TRANS	TRIM	DESCRIPTION
1	55396487AD	1							CROSSMEMBER, RadiatorUpper
2	55396492AB	2							BRACE, Radiator Crossmember
3	06104726AB	2							NUT, Brace Attachment
4	06505903AA	2							SCREW AND WASHER, Self Tapping, M6x1x22
5	55360410AA	2							BUMPER, Suspension Jounce
6	55396671AB	1							SEAL, Hood To Plenum
7	55396672AA	1							WEATHERSTRIP, Hood
8	06104368AA	4							SCREW
9	05143322AC	1							CROSSMEMBER, RadiatorLower
10									BRACKET, Air Bag
	55396820AB	1							Right
	55396821AB	1							Left
11	55396886AB	1							BRACE, Suspension
12	06502697	8							NUT, Hex Flange Lock, M12x1.75

NEW JEEP (XK)

SERIES LINE
H = HIGHLINE T = JEEP - 2WD
P = PREMIUM J = JEEP - 4WD

BODY
74 = SPORT UTILITY 4-DR

ENGINE
EKG = 3.7L V6 Engine
EVA = 4.7L V8 MPI Engine
EZB = 5.7L Hemi Multi Displacement Engine

TRANSMISSION
DGQ = 5-Spd Automatic 5-45RFE Transmission
DGJ = 5-Speed Automatic MB Transmission

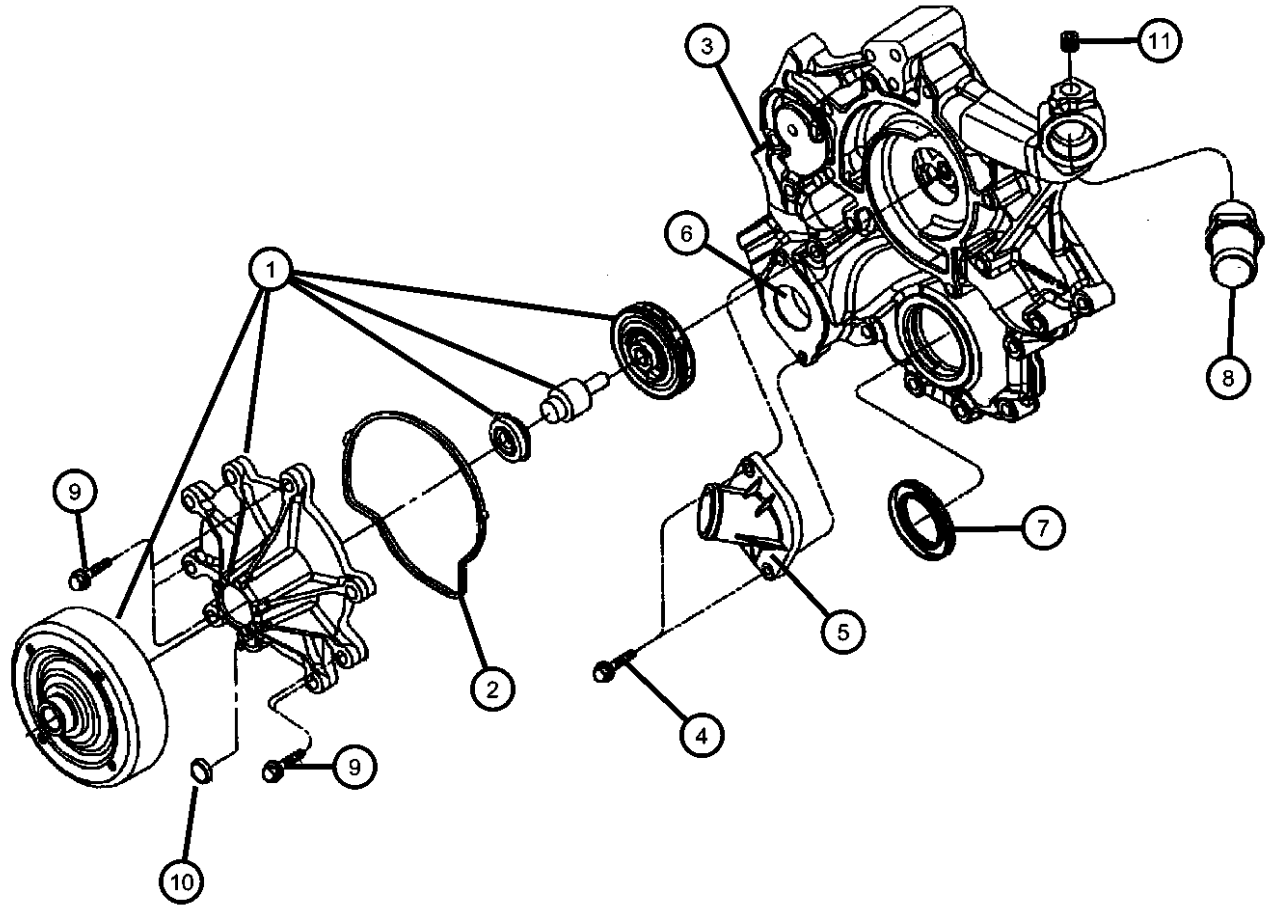
AR = use ase required - = Non illustrated part

**Water Pump and Related Parts 3.7, 4.7L Engine
Figure 7-220**

ITEM	PART NUMBER	QTY	LINE	SERIES	BODY	ENGINE	TRANS	TRIM	DESCRIPTION
------	-------------	-----	------	--------	------	--------	-------	------	-------------

NOTES: Sales Codes
[EK0] = ALL 3.7L 6-CYL GAS ENGINES
[EV0] = ALL 4.7L GAS ENGINES

1	53022189AA	1				EK0, EV0			PUMP, Water
2	53020865	1				EK0, EV0			GASKET, Water Pump
3									NIPPLE
	06035854	2				EK0			
		2				EV0			
4	06505502AA	2				EK0, EV0			SCREW
5	53020887AC	1				EK0, EV0			HOUSING, Thermostat
6	52079476AC	1				EK0, EV0			THERMOSTAT, with Seal
7									SEAL, Crankshaft Oil, Front
	53021313AA	1				EK0			
		1				EV0			
8		1							PIPE FITTING, Chain Case Cover, .375-18x2, (NOT SERVICED)
9		1							SCREW, M6x1x25, (NOT SERVICED)
10		1							PLUG, (NOT SERVICED)
11		1							PLUG, (NOT SERVICED)



NEW JEEP (XK)

SERIES	LINE
H = HIGHLINE	T = JEEP - 2WD
P = PREMIUM	J = JEEP - 4WD

BODY
74 = SPORT UTILITY 4-DR

ENGINE
EKG = 3.7L V6 Engine
EVA = 4.7L V8 MPI Engine
EZB = 5.7L Hemi Multi
Displacement Engine

TRANSMISSION
DGQ = 5-Spd Automatic 5-45RFE
Transmission
DGJ = 5-Speed Automatic MB
Transmission

AR = use ase required - = Non illustrated part

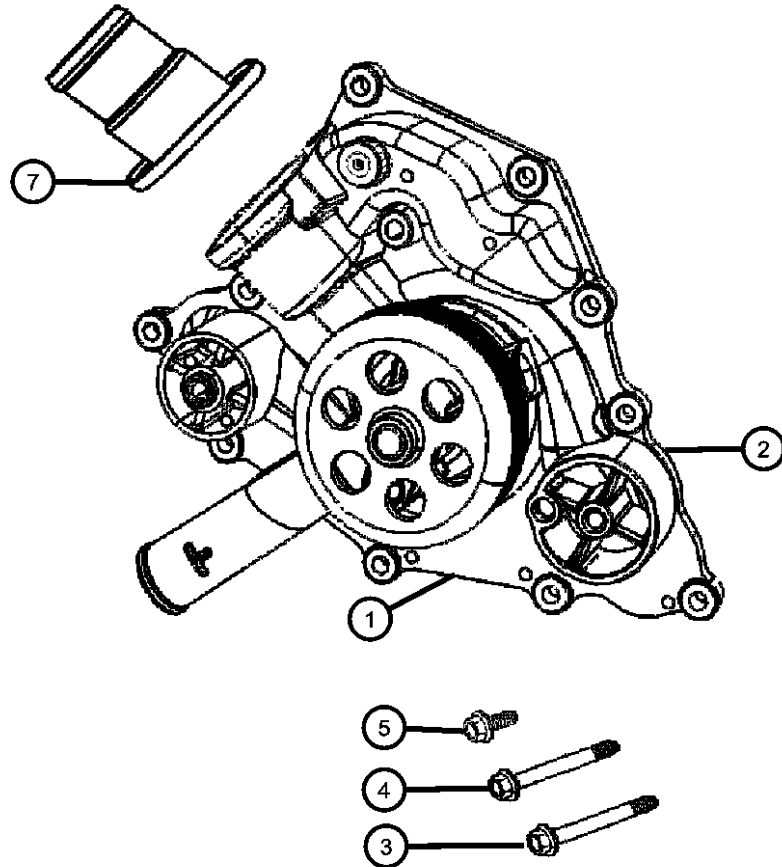
2006 XK

Water Pump and Related Parts 5.7L Engine
Figure 7-230

ITEM	PART NUMBER	QTY	LINE	SERIES	BODY	ENGINE	TRANS	TRIM	DESCRIPTION
------	-------------	-----	------	--------	------	--------	-------	------	-------------

NOTES: Sales Codes:
 [ESF] = 6.1L SRT HEMI SMPI V8 ENGINE
 [EZ0] = ALL 5.7L 8CYL GAS ENGINES

1	04792838AA	1				EZ0			PUMP, Water
2	04792922AA	1				EZ0			GASKET, Water Pump
3	06506270AA	3				EZ0			SCREW AND WASHER, Hex
4	06506269AA	5				EZ0			SCREW AND WASHER, Hex
5	06506270AA	3				EZ0			SCREW AND WASHER, Hex
-6	06506684AA	1				EZ0			STUD
7	53021536AC	1				EZ0			HOUSING, Thermostat



NEW JEEP (XK)

SERIES	LINE
H = HIGHLINE	T = JEEP - 2WD
P = PREMIUM	J = JEEP - 4WD

BODY
74 = SPORT UTILITY 4-DR

ENGINE
EKG = 3.7L V6 Engine
EVA = 4.7L V8 MPI Engine
EZB = 5.7L Hemi Multi Displacement Engine

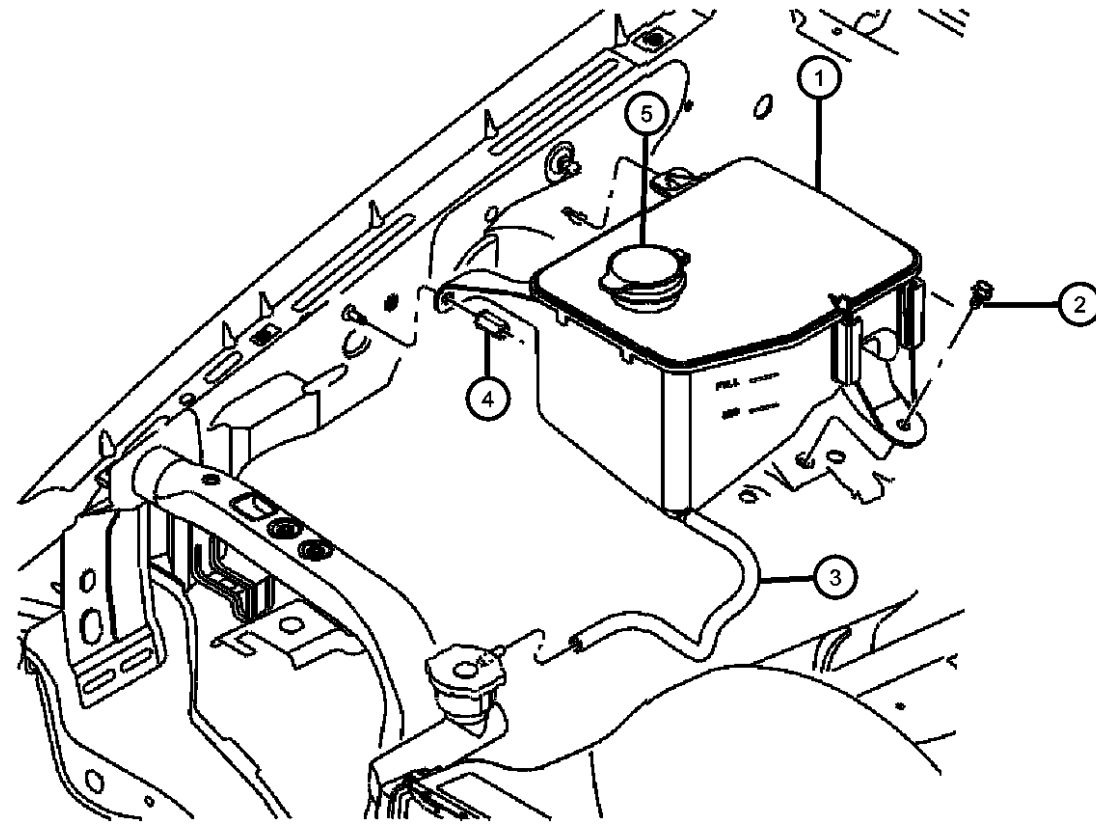
TRANSMISSION
DGQ = 5-Spd Automatic 5-45RFE Transmission
DGJ = 5-Speed Automatic MB Transmission

AR = use ase required - = Non illustrated part

2006 XK

**Coolant Tank
Figure 7-310**

ITEM	PART NUMBER	QTY	LINE	SERIES	BODY	ENGINE	TRANS	TRIM	DESCRIPTION
NOTES: Sales Codes: [EK0] = All 3.7L 6 Cylinder Gas Engines [EV0] = All 4.7L Gas Engines [EZ0] = All 5.7L 8 Cylinder Gas Engines									
1	55116874AD	1				EK0, EV0, EZ0			BOTTLE, Pressurized Coolant
2	55116874AD	1							SCREW, Tapping, M6x1x20, M6X1.00X25.00, (NOT SERVICED)
3	55116874AD	1							HOSE, Coolant Reserve Tank, 04026148, (NOT SERVICED)
4	55037857AA	1				EK0, EV0, EZ0			CAP, Coolant Recovery Bottle, Mounting
5	05174456AA	1				EK0, EV0, EZ0			CAP, Coolant Recovery Bottle



NEW JEEP (XK)

SERIES LINE
H = HIGHLINE T = JEEP - 2WD
P = PREMIUM J = JEEP - 4WD

BODY
74 = SPORT UTILITY 4-DR

ENGINE
EKG = 3.7L V6 Engine
EVA = 4.7L V8 MPI Engine
EZB = 5.7L Hemi Multi Displacement Engine

TRANSMISSION
DGQ = 5-Spd Automatic 5-45RFE Transmission
DGJ = 5-Speed Automatic MB Transmission

AR = use ase required - = Non illustrated part

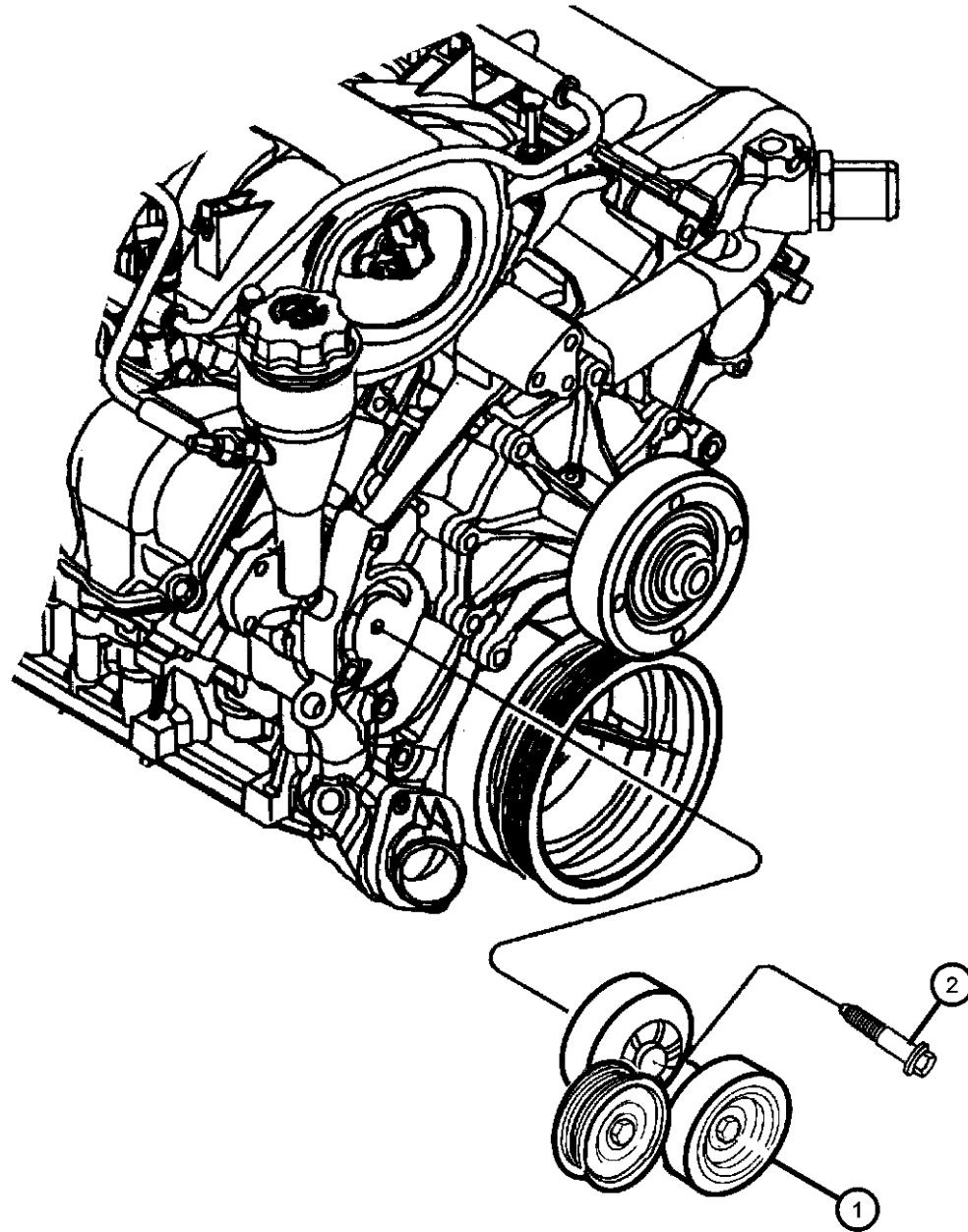
2006 XK

Drive Pulleys 3.7L,4.7L Engines
Figure 7-430

ITEM	PART NUMBER	QTY	LINE	SERIES	BODY	ENGINE	TRANS	TRIM	DESCRIPTION
------	-------------	-----	------	--------	------	--------	-------	------	-------------

NOTES: Sales Codes:
[EK0] = ALL 3.7L 6-CYL GAS ENGINES
[EVO] = ALL 4.7L GAS ENGINES

1									TENSIONER, Alternator Belt
	53030958AC	1				EVO			
	53030958AD	1				EK0			
2	06504930AA	1				EVO			SCREW AND WASHER, Hex Head, M10x1.5x70



NEW JEEP (XK)

SERIES	LINE
H = HIGHLINE	T = JEEP - 2WD
P = PREMIUM	J = JEEP - 4WD

BODY
74 = SPORT UTILITY 4-DR

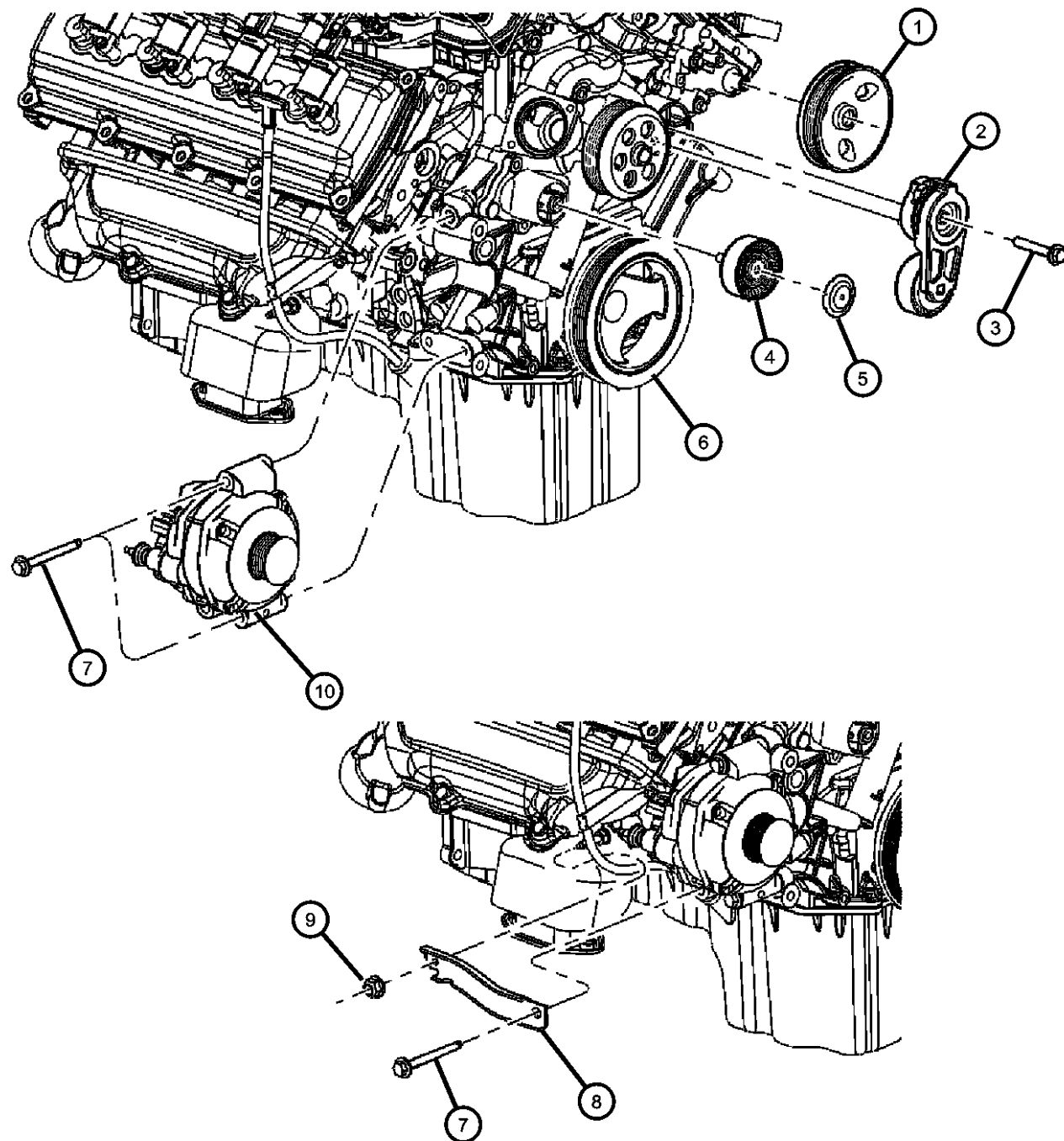
ENGINE
EKG = 3.7L V6 Engine
EVA = 4.7L V8 MPI Engine
EZB = 5.7L Hemi Multi Displacement Engine

TRANSMISSION
DGQ = 5-Spd Automatic 5-45RFE Transmission
DGJ = 5-Speed Automatic MB Transmission

AR = use ase required - = Non illustrated part

2006 XK

Drive Pulleys 5.7L Engine
Figure 7-440



ITEM	PART NUMBER	QTY	LINE	SERIES	BODY	ENGINE	TRANS	TRIM	DESCRIPTION
------	-------------	-----	------	--------	------	--------	-------	------	-------------

NOTES: Sales Codes:
[ESF] = 6.1L SRT HEMI SMPI V8 ENGINE
[EZ0] = ALL 5.7L 8CYL GAS ENGINES

1	53013677AB	1				EZ0			PULLEY, Power Steering Pump, Purchased in Assy. 52089883AC
2	04861660AA	1				EZ0			TENSIONER, Belt
3	06507479AA	3				EZ0			SCREW AND WASHER, Hex, Tensioner to Block
4	04792835AA	1				EZ0			PULLEY, Idler
5	04792875AA	1				EZ0			CAP, Pulley
6	04792815AB	1				EZ0			DAMPER, Crankshaft
7	06504344	1				EZ0			SCREW AND WASHER, Hex Head
8	06504344	1							STRUT, Alternator Bracket, (NOT REQUIRED)
9	06101695	2							NUT, Hex Flange Lock
10	56044380AC	1				EZ0			ALTERNATOR
-11	06506340AA	1				EZ0			SCREW AND WASHER, Damper and Pulley Assy. to Crankshaft

NEW JEEP (XK)

SERIES LINE
H = HIGHLINE T = JEEP - 2WD
P = PREMIUM J = JEEP - 4WD

BODY
74 = SPORT UTILITY 4-DR

ENGINE
EKG = 3.7L V6 Engine
EVA = 4.7L V8 MPI Engine
EZB = 5.7L Hemi Multi Displacement Engine

TRANSMISSION
DGQ = 5-Spd Automatic 5-45RFE Transmission
DGJ = 5-Speed Automatic MB Transmission

AR = use ase required - = Non illustrated part

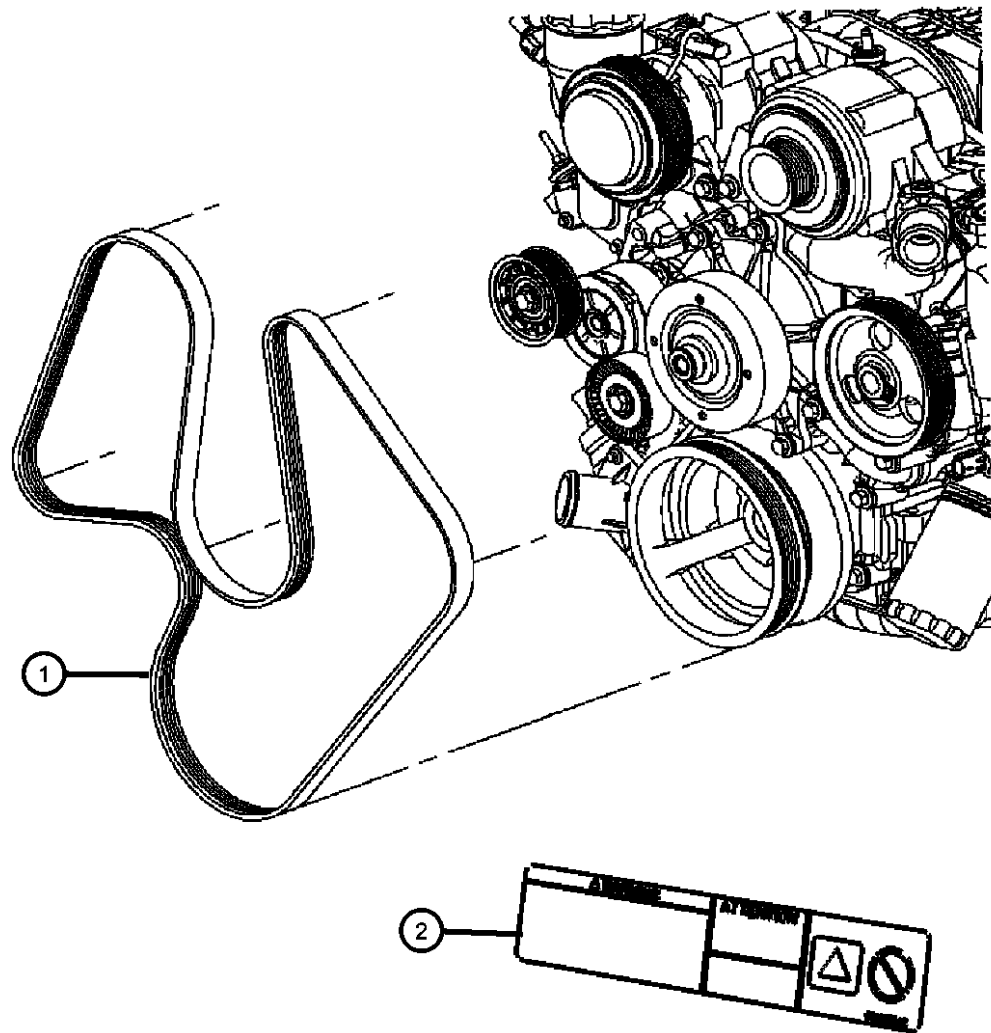
2006 XK

Drive Belts 3.7,4.7L Engines
Figure 7-510

ITEM	PART NUMBER	QTY	LINE	SERIES	BODY	ENGINE	TRANS	TRIM	DESCRIPTION
------	-------------	-----	------	--------	------	--------	-------	------	-------------

NOTES: Sales Codes:
[EK0] = ALL 3.7L 6-CYL GAS ENGINES
[EV0] = ALL 4.7L GAS ENGINES

1	53032037AJ	1				EK0, EV0			BELT, Accessory Drive
2	55116955AB	1				EK0, EV0	DG0		LABEL, Belt Routing



NEW JEEP (XK)

SERIES LINE
H = HIGHLINE T = JEEP - 2WD
P = PREMIUM J = JEEP - 4WD

BODY
74 = SPORT UTILITY 4-DR

ENGINE
EKG = 3.7L V6 Engine
EVA = 4.7L V8 MPI Engine
EZB = 5.7L Hemi Multi Displacement Engine

TRANSMISSION
DGQ = 5-Spd Automatic 5-45RFE Transmission
DGJ = 5-Speed Automatic MB Transmission

AR = use ase required - = Non illustrated part

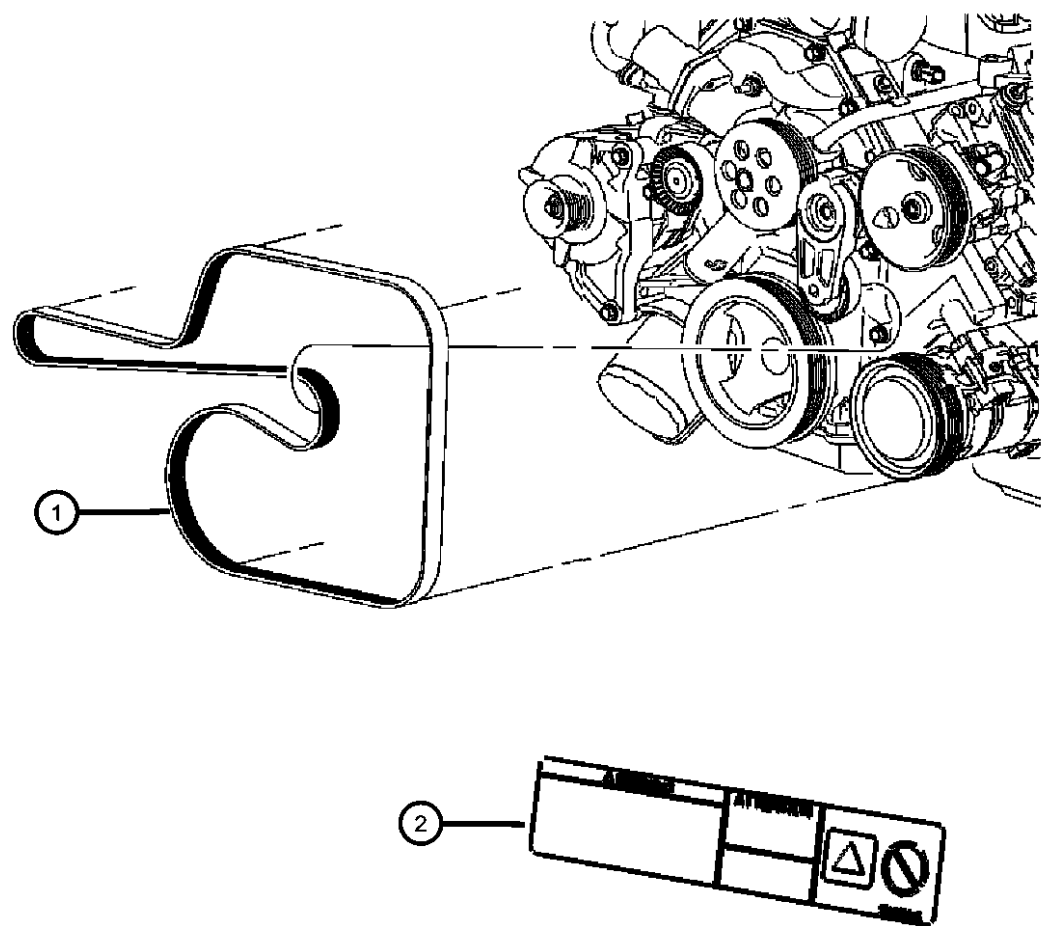
2006 XK

Drive Belts 5.7L Engine
Figure 7-520

ITEM	PART NUMBER	QTY	LINE	SERIES	BODY	ENGINE	TRANS	TRIM	DESCRIPTION
------	-------------	-----	------	--------	------	--------	-------	------	-------------

NOTES: Sales Codes:
[EZ0] = ALL 5.7L 8CYL GAS ENGINES

1	53013676AB	1				EZ0			BELT, Accessory Drive
2	55116955AB	1				EZ0	DG0		LABEL, Belt Routing



NEW JEEP (XK)

SERIES LINE
H = HIGHLINE T = JEEP - 2WD
P = PREMIUM J = JEEP - 4WD

BODY
74 = SPORT UTILITY 4-DR

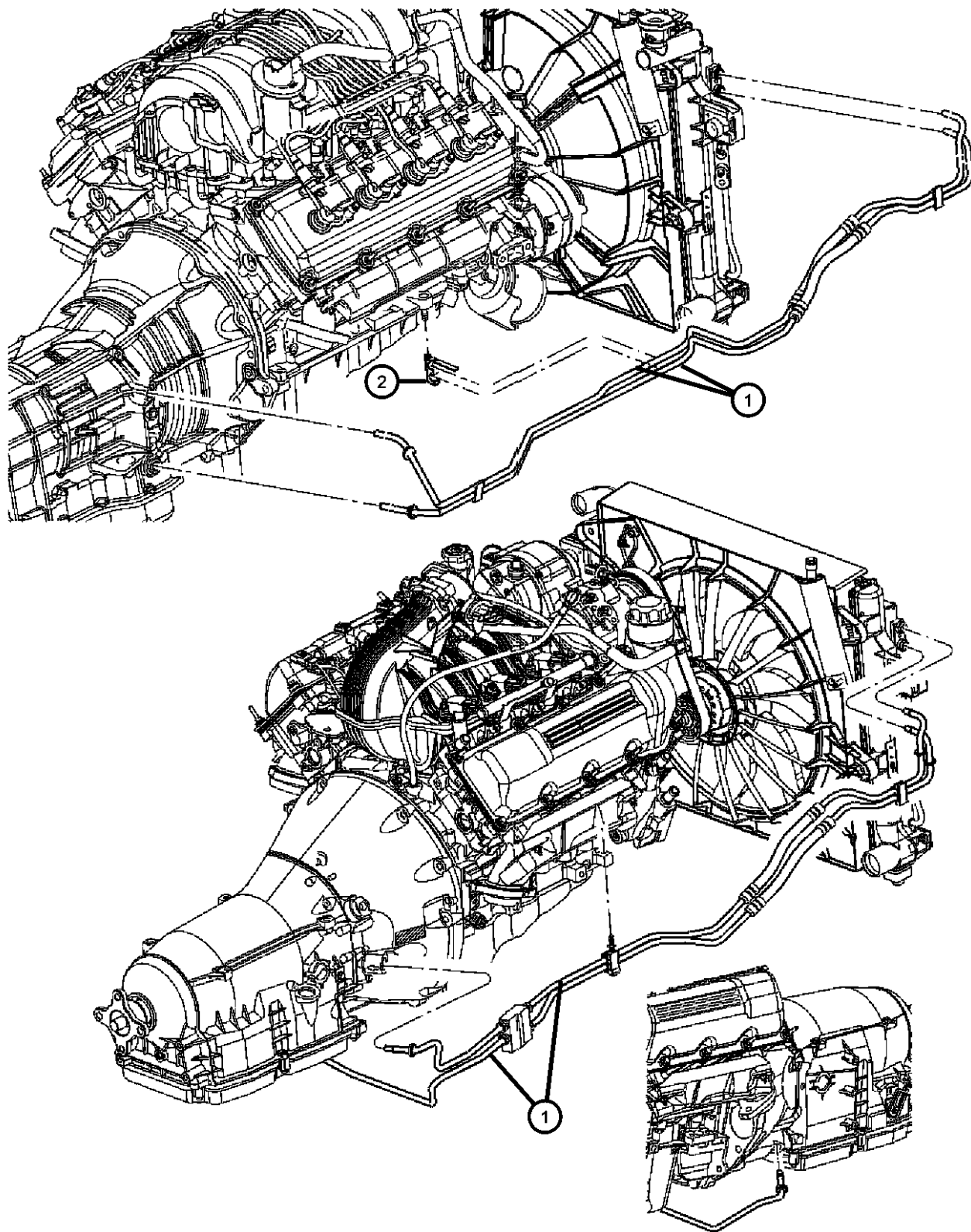
ENGINE
EKG = 3.7L V6 Engine
EVA = 4.7L V8 MPI Engine
EZB = 5.7L Hemi Multi Displacement Engine

TRANSMISSION
DGQ = 5-Spd Automatic 5-45RFE Transmission
DGJ = 5-Speed Automatic MB Transmission

AR = use ase required - = Non illustrated part

2006 XK

Oil Cooler and Lines
Figure 7-620



ITEM	PART NUMBER	QTY	LINE	SERIES	BODY	ENGINE	TRANS	TRIM	DESCRIPTION
------	-------------	-----	------	--------	------	--------	-------	------	-------------

NOTES: Sales Codes:
 [DG0] = All Automatic Transmissions
 [EK0] = All 3.7L 6 Cylinder Gas Engines
 [EV0] = All 4.7L Gas Engines

1	55116875AC	1				EV0, EZ0	DG0		TUBE & HOSE, Supply & Return
	55116877AE	1	J, T			EK0	DG0		
2	52079789AB	1				EV0, EZ0	DG0		CLIP, Cooler Lines

NEW JEEP (XK)

SERIES LINE
 H = HIGHLINE T = JEEP - 2WD
 P = PREMIUM J = JEEP - 4WD

BODY
 74 = SPORT UTILITY 4-DR

ENGINE
 EKG = 3.7L V6 Engine
 EVA = 4.7L V8 MPI Engine
 EZB = 5.7L Hemi Multi
 Displacement Engine

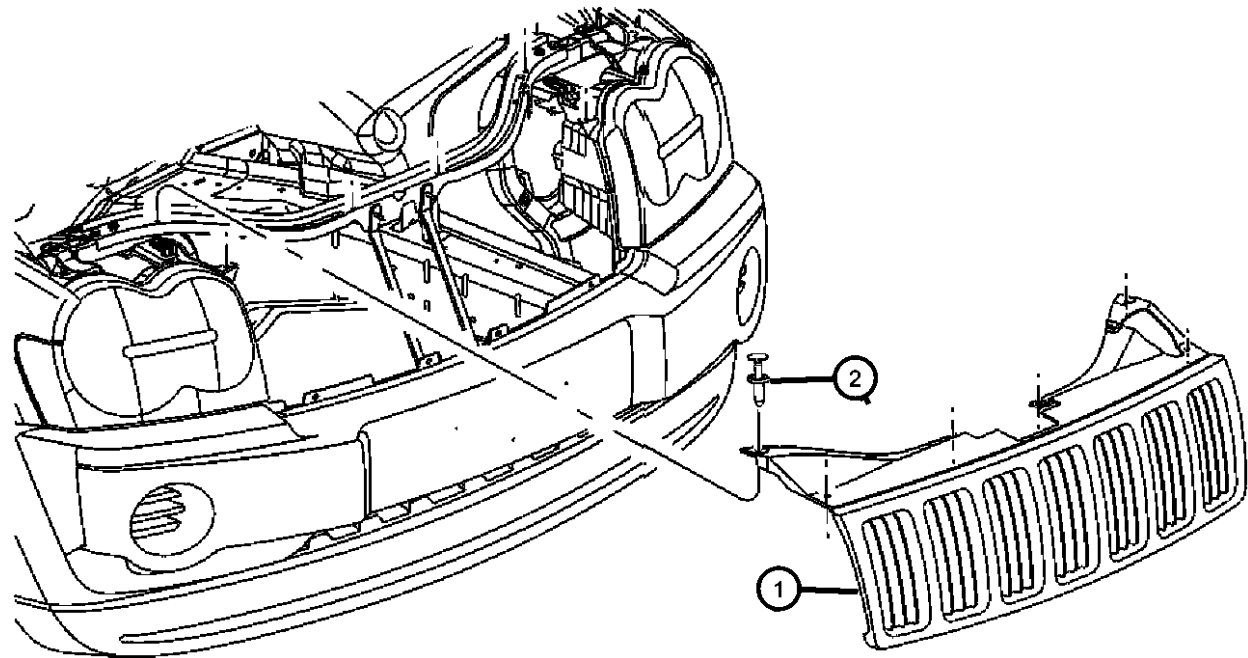
TRANSMISSION
 DGQ = 5-Spd Automatic 5-45RFE
 Transmission
 DGJ = 5-Speed Automatic MB
 Transmission

AR = use ase required - = Non illustrated part

2006 XK

**Grille and Related Parts
Figure 7-720**

ITEM	PART NUMBER	QTY	LINE	SERIES	BODY	ENGINE	TRANS	TRIM	DESCRIPTION
1									GRILLE, Radiator
	55156975AC	1							Bright, Front
	5JR621JCAC	1							[1JC],
	5JR621JTAC	1							[1JT]
	5JR621RJAC	1							[1JR]
	5JR621B8AC	1							[1B8]
	5JR621BMAC	1	J, T						[BM]
	5JR621GVAC	1							[1GV]
	5JR621SBAC	1							[1SB]
	5JR621W1AC	1							[1W1]
	5JR621X8AC	1							[1X8]
2	06503598	6							PIN, Push, M8x21, Grille to Crossmember



NEW JEEP (XK)

SERIES LINE
H = HIGHLINE T = JEEP - 2WD
P = PREMIUM J = JEEP - 4WD

BODY
74 = SPORT UTILITY 4-DR

ENGINE
EKG = 3.7L V6 Engine
EVA = 4.7L V8 MPI Engine
EZB = 5.7L Hemi Multi Displacement Engine

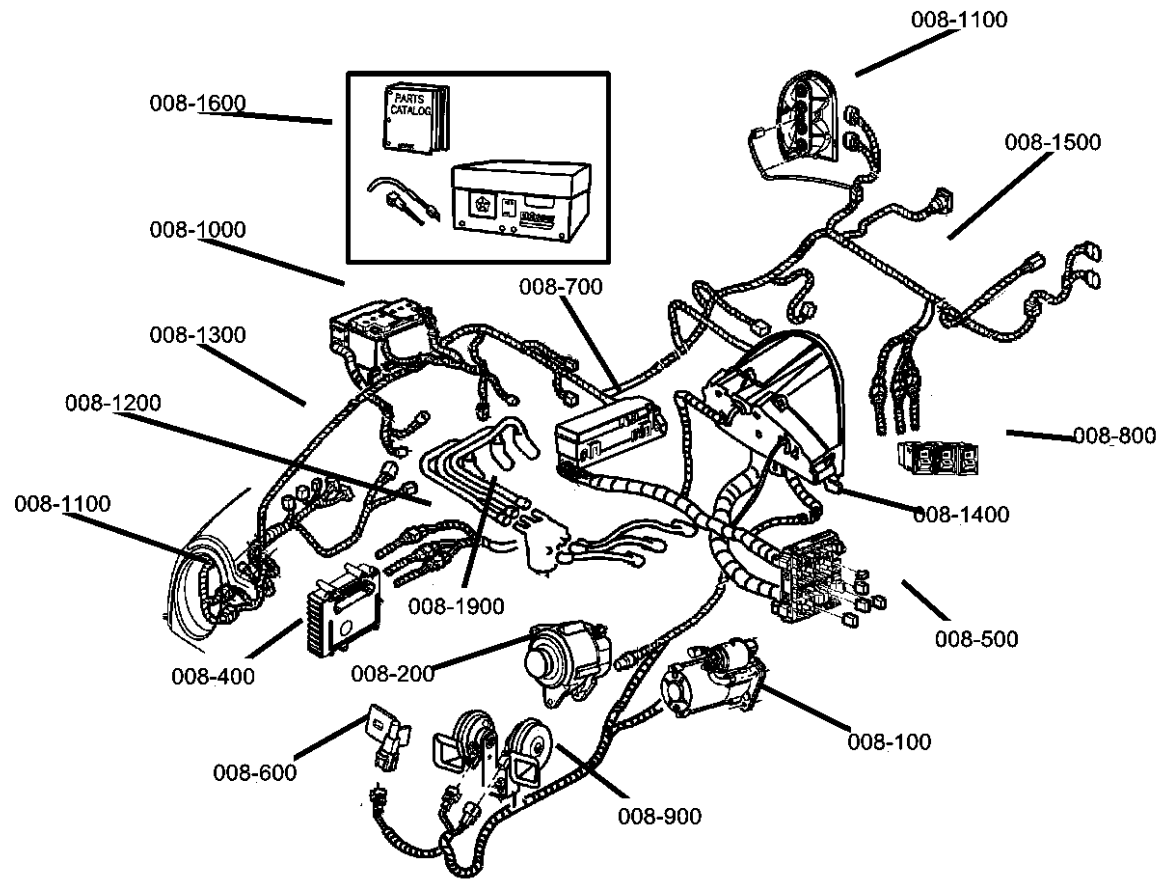
TRANSMISSION
DGQ = 5-Spd Automatic 5-45RFE Transmission
DGJ = 5-Speed Automatic MB Transmission

AR = use ase required - = Non illustrated part

2006 XK

Group - 8

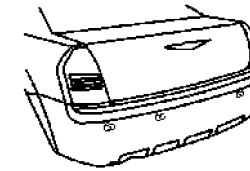
Electrical



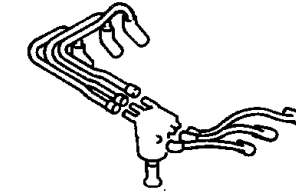
008-1700
Air Bag Systems



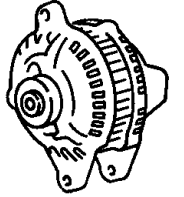
008-1800
Park Assist



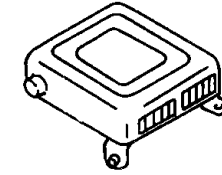
008-1900
Spark Plugs-Cables-Coils



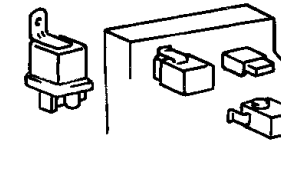
008-200
Alternators



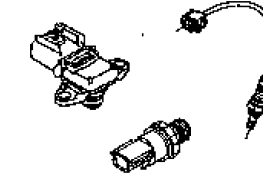
008-400
Modules



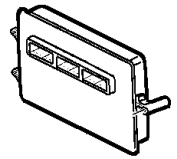
008-500
Relays



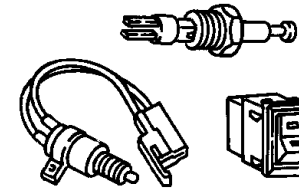
008-600
Sensors



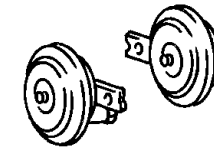
008-700
Single Board Engine Controllers

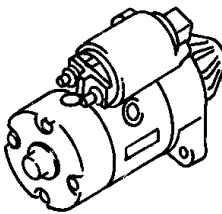
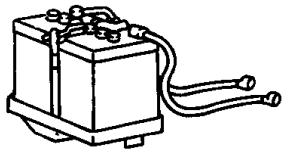
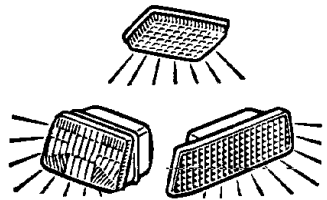
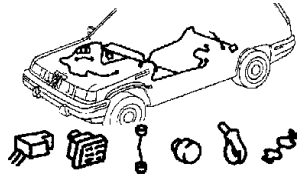


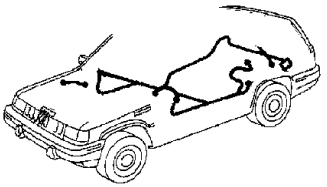


008-800
Switches



008-900
Horns



<p>008-100 Starters</p> 	<p>008-1000 Battery Tray and Cables</p> 	<p>008-1100 Lamps - Front, Rear and Courtesy</p> 	<p>008-1200 Wiring-Engine & Related Parts</p> 
<p>008-1300 Wiring-Headlamp to Dash</p> 	<p>008-1400 Wiring-Instrument Panel</p> 	<p>008-1500 Wiring-Body & Accessories</p> 	<p>008-1600 Wiring Repair</p> <p>WIRING REPAIR PKG.</p>

Group - 8 Electrical

Illustration Title	Group-Fig. No.
Starters	
Starters.....	Fig. 8 - 110
Alternators	
Alternator [3.7L Engine].....	Fig. 8 - 205
Alternator [4.7L Engine].....	Fig. 8 - 210
Alternator [5.7L Engine].....	Fig. 8 - 215
Modules	
Modules Floor Mounted.....	Fig. 8 - 405
Modules Under Hood	Fig. 8 - 410
Modules Body	Fig. 8 - 415
Relays	
Power Distribution Center Front.....	Fig. 8 - 505
Power Distribution Center Rear	Fig. 8 - 510
Junction Block, Relays, Circuit Breaker	Fig. 8 - 515
Sensors	
Sensors Engine [3.7L engine].....	Fig. 8 - 605
Sensors, Engine (4.7L) [EV0]	Fig. 8 - 610
Sensors Engine [5.7L Engine]	Fig. 8 - 615
Sensors Oxygen [3.7L engine]	Fig. 8 - 620
Sensors, Oxygen [4.7L Engine].....	Fig. 8 - 625
Sensors Oxygen [5.7L Engine].....	Fig. 8 - 630
Sensors Drivetrain	Fig. 8 - 635
Sensors Body.....	Fig. 8 - 640
Single Board Engine Controllers	
Powertrain Control Modules.....	Fig. 8 - 705
Switches	
Switches (Instrument Panel and Console)	Fig. 8 - 810
Switches, (Drive Train).....	Fig. 8 - 820
Switches, (Body)	Fig. 8 - 830
Horns	
Horns.....	Fig. 8 - 905
Battery Tray and Cables	
Battery Tray & Wiring [3.7L and 4.7L Engines]	Fig. 8 - 1005
Battery Tray and Wiring [5.7L Engine].....	Fig. 8 - 1010
Block Heaters [3.7L and 4.7L Engines].....	Fig. 8 - 1015
Block Heaters [5.7L Engine].....	Fig. 8 - 1020
Lamps - Front, Rear and Courtesy	
Lamp - Front End.....	Fig. 8 - 1110
Lamp - Rear End	Fig. 8 - 1120
Lamp - Courtesy - Dome - Reading.....	Fig. 8 - 1130
Bulbs	Fig. 8 - 1140
Wiring-Engine & Related Parts	
Wiring - Engine [3.7L and 4.7L Engine]	Fig. 8 - 1205
Wiring Engine [5.7L Engines]	Fig. 8 - 1210
Ground Straps.....	Fig. 8 - 1215
Wiring-Headlamp to Dash	
Wiring - Headlamp / Dash	Fig. 8 - 1305
Wiring-Instrument Panel	
Wiring - Instrument Panel.....	Fig. 8 - 1410
Wiring-Body & Accessories	

Wring Body	Fig. 8 - 1505
Wiring - Doors and Liftgate	Fig. 8 - 1510
Wiring Seats	Fig. 8 - 1515

Wiring Repair

Wiring Repair Packages	Fig. 8 - 1605
------------------------------	---------------

Air Bag Systems

Air Bag Modules and Sensors.....	Fig. 8 - 1705
Air Bags and Clock Spring.....	Fig. 8 - 1710

Park Assist

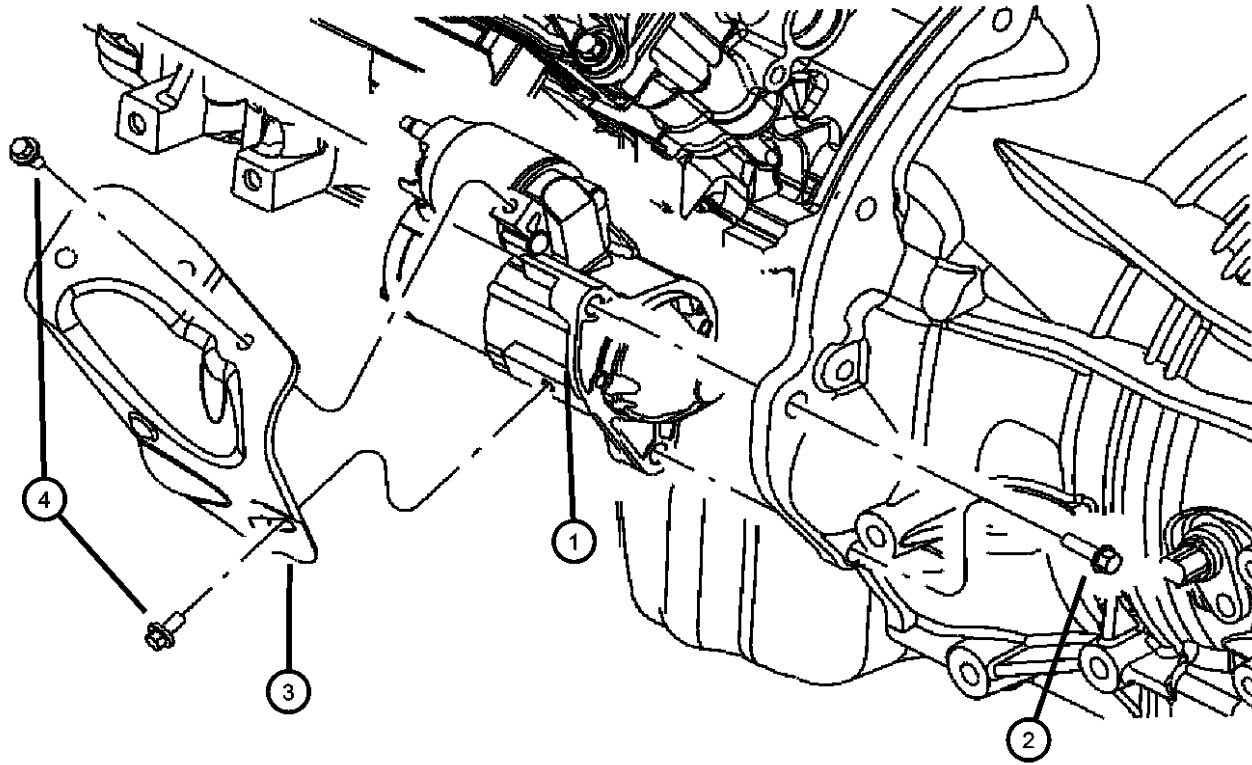
Park Assist Detection System.....	Fig. 8 - 1805
-----------------------------------	---------------

Spark Plugs-Cables-Coils

Spark Plugs and Coils [3.7L and 4.7L Engines]	Fig. 8 - 1905
Spark Plugs and Coil [5.7L Engine].....	Fig. 8 - 1910

Starters
Figure 8-110

ITEM	PART NUMBER	QTY	LINE	SERIES	BODY	ENGINE	TRANS	TRIM	DESCRIPTION
1									STARTER
	56044734AA	1				EK0			
	56044735AB	1				EVO			
	56044736AB	1				EZO			
2	06102120AA	2				EK0, EVO, EZO			SCREW AND WASHER, Hex Head
3	56044116AD	1				EVO, EZO			SHIELD, Starter
4	56044116AD	1							SCREW, Hex Flange Head, M6x1x12, (NOT SERVICED)



NEW JEEP (XK)

SERIES LINE
H = HIGHLINE T = JEEP - 2WD
P = PREMIUM J = JEEP - 4WD

BODY
74 = SPORT UTILITY 4-DR

ENGINE
EKG = 3.7L V6 Engine
EVA = 4.7L V8 MPI Engine
EZB = 5.7L Hemi Multi
Displacement Engine

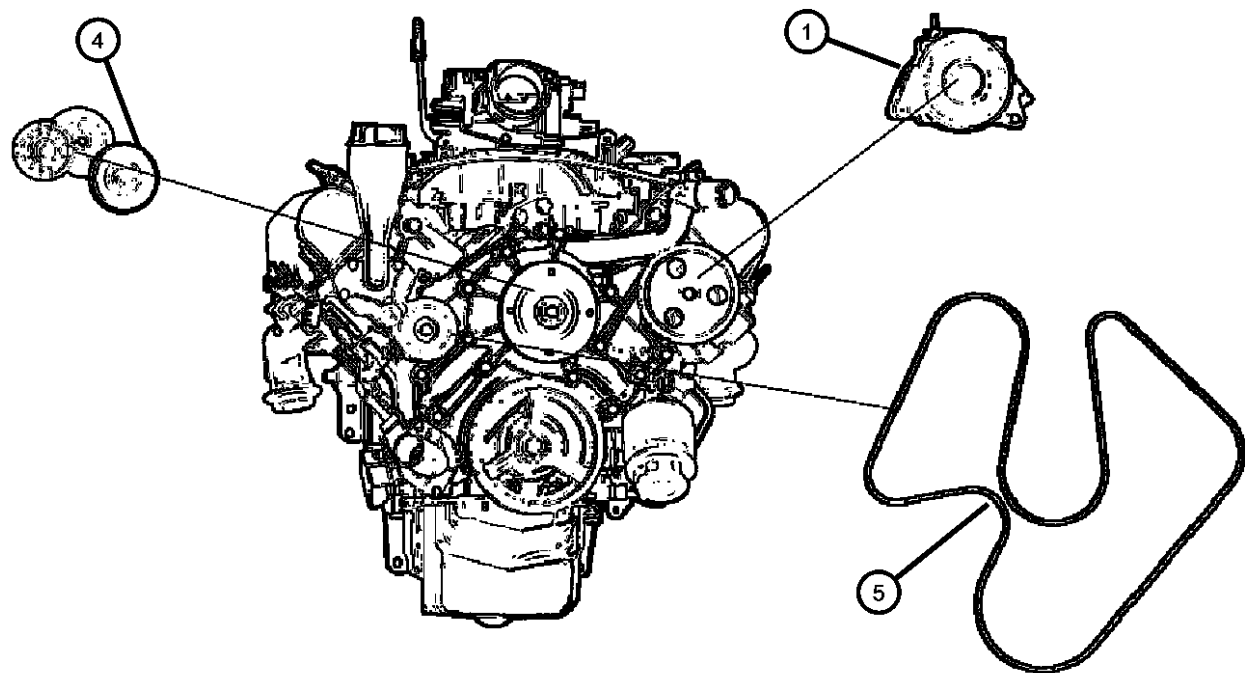
TRANSMISSION
DGQ = 5-Spd Automatic 5-45RFE
Transmission
DGJ = 5-Speed Automatic MB
Transmission

AR = use ase required - = Non illustrated part

2006 XK

**Alternator [3.7L Engine]
Figure 8-205**

ITEM	PART NUMBER	QTY	LINE	SERIES	BODY	ENGINE	TRANS	TRIM	DESCRIPTION
1	56029914AA	1				EK0, EVO			ALTERNATOR
-2	06504344	1				EK0			SCREW AND WASHER, Hex Head, Alternator to Front Cover Attaching
-3	06505482AA	1				EK0			SCREW AND WASHER, Hex Head, M8x1.25x50, Alternator to Cylinder Head
4	53030958AD	1				EK0			TENSIONER, Alternator Belt
5									BELT, Accessory Drive
	04892791AA	1				EK0, EVO			After 09/28/05
	53032037AJ	1				EK0, EVO			Up to 09/28/05
-6	06505488AA	1				EK0			SCREW AND WASHER, Hex, Alternator to Front Cover Attaching



NEW JEEP (XK)

SERIES LINE
H = HIGHLINE T = JEEP - 2WD
P = PREMIUM J = JEEP - 4WD

BODY
74 = SPORT UTILITY 4-DR

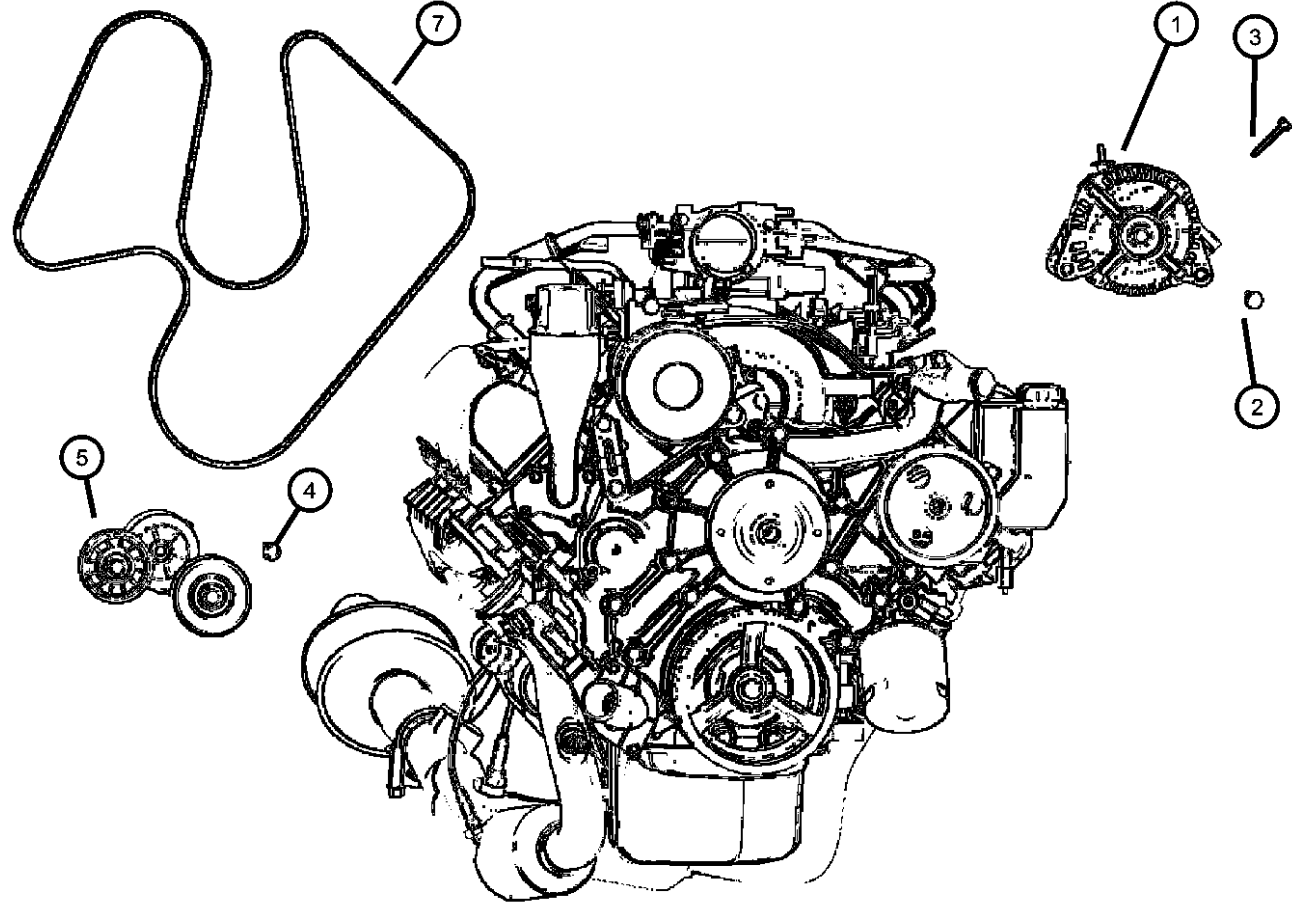
ENGINE
EKG = 3.7L V6 Engine
EVA = 4.7L V8 MPI Engine
EZB = 5.7L Hemi Multi Displacement Engine

TRANSMISSION
DGQ = 5-Spd Automatic 5-45RFE Transmission
DGJ = 5-Speed Automatic MB Transmission

AR = use ase required - = Non illustrated part

2006 XK

**Alternator [4.7L Engine]
Figure 8-210**



ITEM	PART NUMBER	QTY	LINE	SERIES	BODY	ENGINE	TRANS	TRIM	DESCRIPTION
1	05170748AA	1				EK0, EVO			ALTERNATOR
2	06505488AA	1				EVO			SCREW AND WASHER, Hex
3	06505482AA	1				EVO			SCREW AND WASHER, Hex
4	06504930AA	1				EVO			Head, M8x1.25x50
5	53030958AC	1				EVO			SCREW AND WASHER, Hex
-6	06506929AA	1							Head, M10x1.5x70
7									TENSIONER, Alternator Belt
									NUT, Hex Flange Lock, M8x1.25,
									B+ connection
									BELT, Accessory Drive
	04892791AA	1				EK0, EVO			After 09/2805
	53032037AJ	1				EK0, EVO			Up to 09/2805

NEW JEEP (XK)

SERIES LINE
H = HIGHLINE T = JEEP - 2WD
P = PREMIUM J = JEEP - 4WD

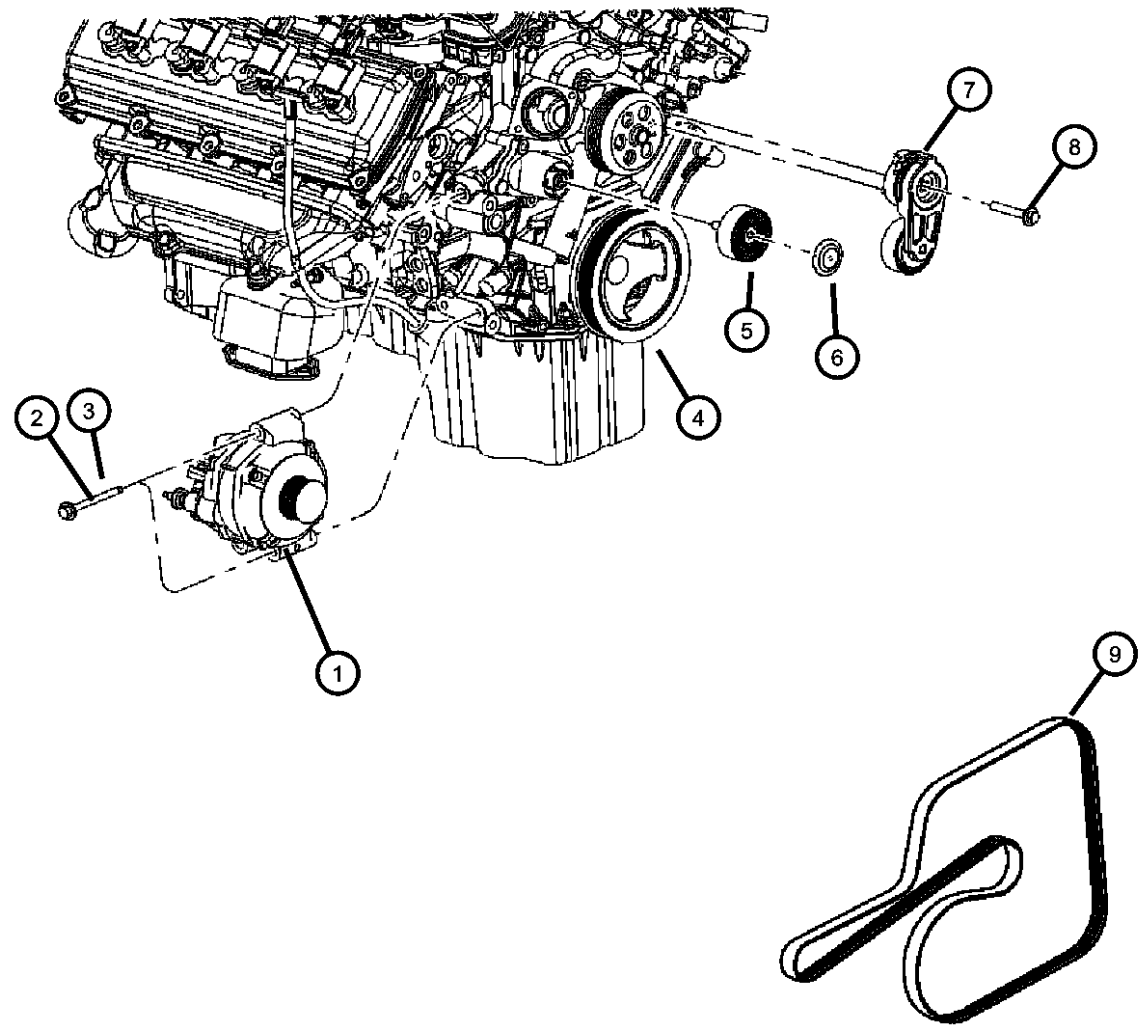
BODY
74 = SPORT UTILITY 4-DR

ENGINE
EKG = 3.7L V6 Engine
EVA = 4.7L V8 MPI Engine
EZB = 5.7L Hemi Multi
Displacement Engine

TRANSMISSION
DGQ = 5-Spd Automatic 5-45RFE
Transmission
DGJ = 5-Speed Automatic MB
Transmission

AR = use ase required - = Non illustrated part

Alternator [5.7L Engine]
Figure 8-215



ITEM	PART NUMBER	QTY	LINE	SERIES	BODY	ENGINE	TRANS	TRIM	DESCRIPTION
1	56044380AC	1				EZ0			ALTERNATOR
2	06101985	1				EZ0			SCREW AND WASHER, M10x1.50x45.00, Alternator to front cover lower
3	06504344	1				EZ0			SCREW AND WASHER, Hex Head, Alternator to front cover
4	04792815AB	1				EZ0			DAMPER, Crankshaft
5	04792835AA	1				EZ0			PULLEY, Idler
6	04792875AA	1				EZ0			CAP, Pulley
7	04861660AA	1				EZ0			TENSIONER, Belt
8	06102381AA	1				EZ0			SCREW, Hex Flange Head
9	53013676AB	1				EZ0			BELT, Accessory Drive

NEW JEEP (XK)

SERIES LINE
H = HIGHLINE T = JEEP - 2WD
P = PREMIUM J = JEEP - 4WD

BODY
74 = SPORT UTILITY 4-DR

ENGINE
EKG = 3.7L V6 Engine
EVA = 4.7L V8 MPI Engine
EZB = 5.7L Hemi Multi Displacement Engine

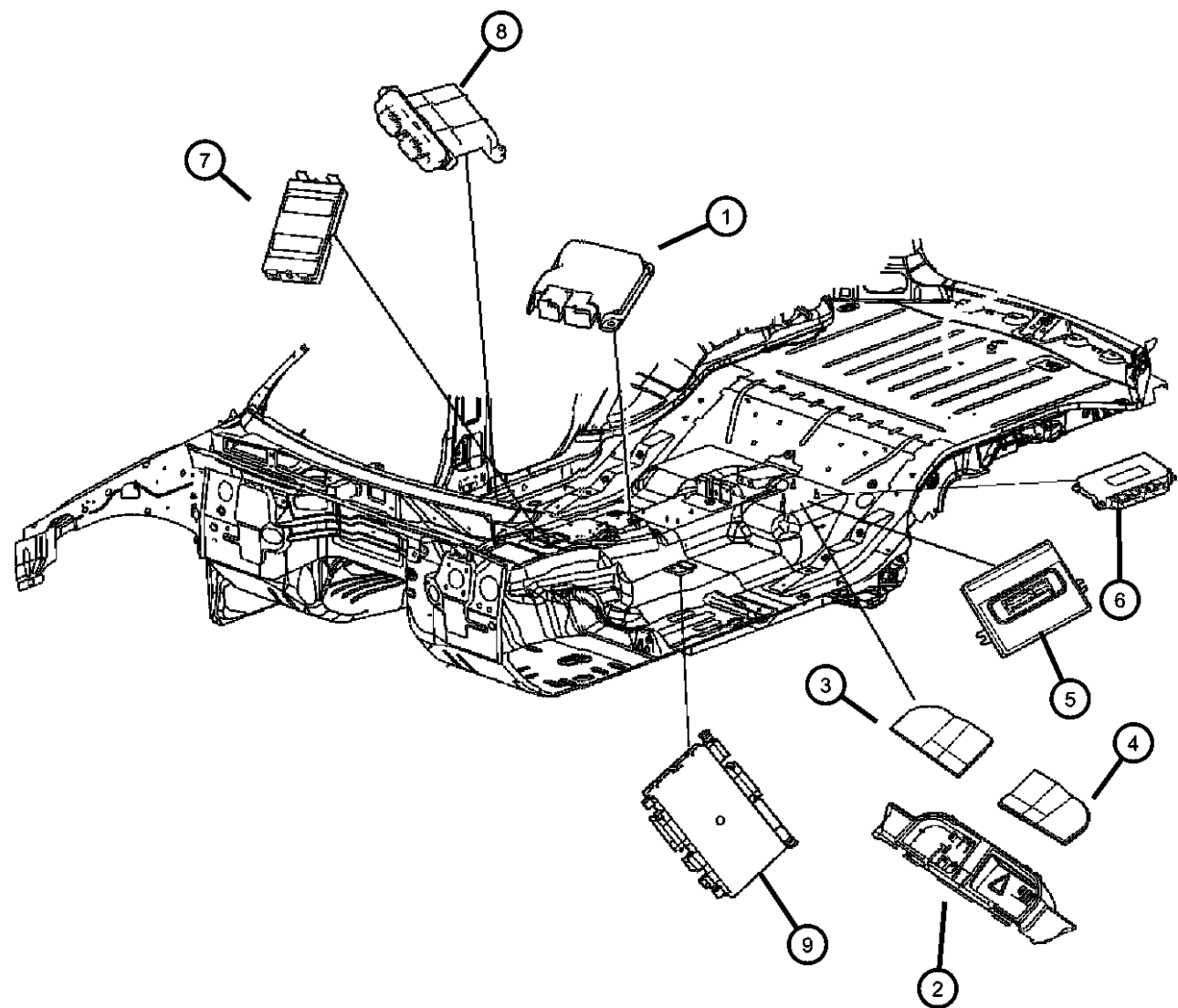
TRANSMISSION
DGQ = 5-Spd Automatic 5-45RFE Transmission
DGJ = 5-Speed Automatic MB Transmission

AR = use ase required - = Non illustrated part

2006 XK

Modules Floor Mounted
Figure 8-405

ITEM	PART NUMBER	QTY	LINE	SERIES	BODY	ENGINE	TRANS	TRIM	DESCRIPTION
1	56038801AD	1							MODULE, Occupant Restraint
2									SUPPORT, Module Housing
	5KC46BD1AD	1							[D1]
		1							[J1]
	5KC46BD5AD	1							[D5]
	5KC46ZJ3AD	1							[J3]
3									COVER, Module
	5KC48XD-HAC	1							[D5], Right
	5KC48XDVAC	1							[D1], Right
	5KC48ZJ8AC	1							[J1], Right
		1							[J3], Right
4									COVER, Module
	5KC49XD-HAC	1							[D5], Left
	5KC49XDVAC	1							[D1], Left
	5KC49ZJ8AC	1							[J1], Left
		1							[J3], Left
5									MODULE, Transfer Case Control
	56044129AK	1			J				[DXH,DS7]
	56044199AK	1			J				[DXH,DSG]
	56044204AF	1			J				[DHX,SNA]
6	05026016AC	1							MODULE, Parking Assist
7									MODULE, Heated Seat Control
	04602327AG	1							Up to 05/31/05
	04602327AI	1							After 05/31/05
8									MODULE, Occupant Classification
	05183712AA	1							Export
	56043195AZ	1							
9	04602441AN	1							MODULE, Seat Memory



NEW JEEP (XK)

SERIES LINE
H = HIGHLINE T = JEEP - 2WD
P = PREMIUM J = JEEP - 4WD

BODY
74 = SPORT UTILITY 4-DR

ENGINE
EKG = 3.7L V6 Engine
EVA = 4.7L V8 MPI Engine
EZB = 5.7L Hemi Multi
Displacement Engine

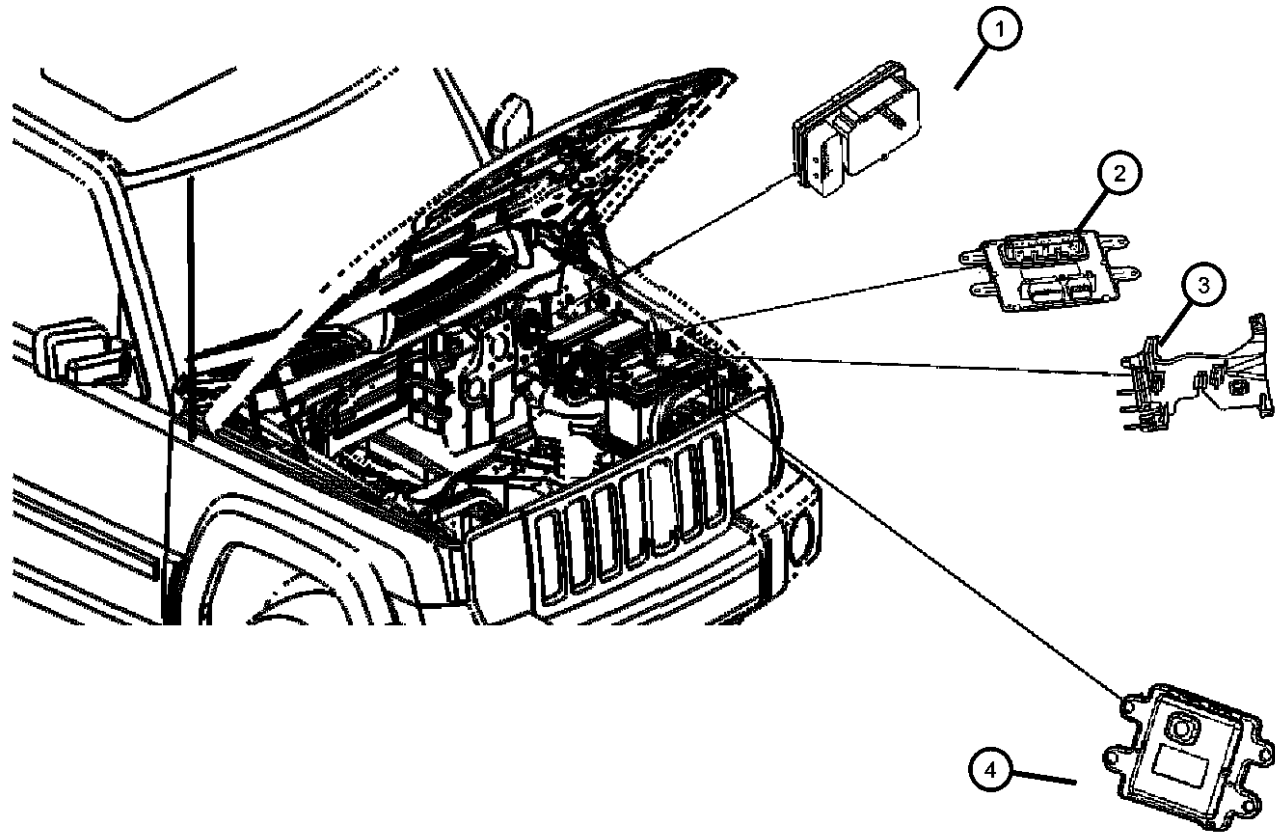
TRANSMISSION
DGQ = 5-Spd Automatic 5-45RFE
Transmission
DGJ = 5-Speed Automatic MB
Transmission

AR = use ase required - = Non illustrated part

2006 XK

**Modules Under Hood
Figure 8-410**

ITEM	PART NUMBER	QTY	LINE	SERIES	BODY	ENGINE	TRANS	TRIM	DESCRIPTION
1	05179776AA	1							MODULE, Anti-lock Brakes
2	04692024AG	1				EK0, EVO			MODULE, Front Control Up to 01/09/06
	04692024AI	1				EZ0			Up to 01/09/06
	04692024AI	1				EK0, EVO			After 01/09/06
		1				EZ0			After 01/09/06
3	56050148AG	1							BRACKET, Power Distribution Center
4	04692074AA	1				EZ0			COVER, Control Unit
		1				EK0, EVO			



NEW JEEP (XK)

SERIES LINE
H = HIGHLINE T = JEEP - 2WD
P = PREMIUM J = JEEP - 4WD

BODY
74 = SPORT UTILITY 4-DR

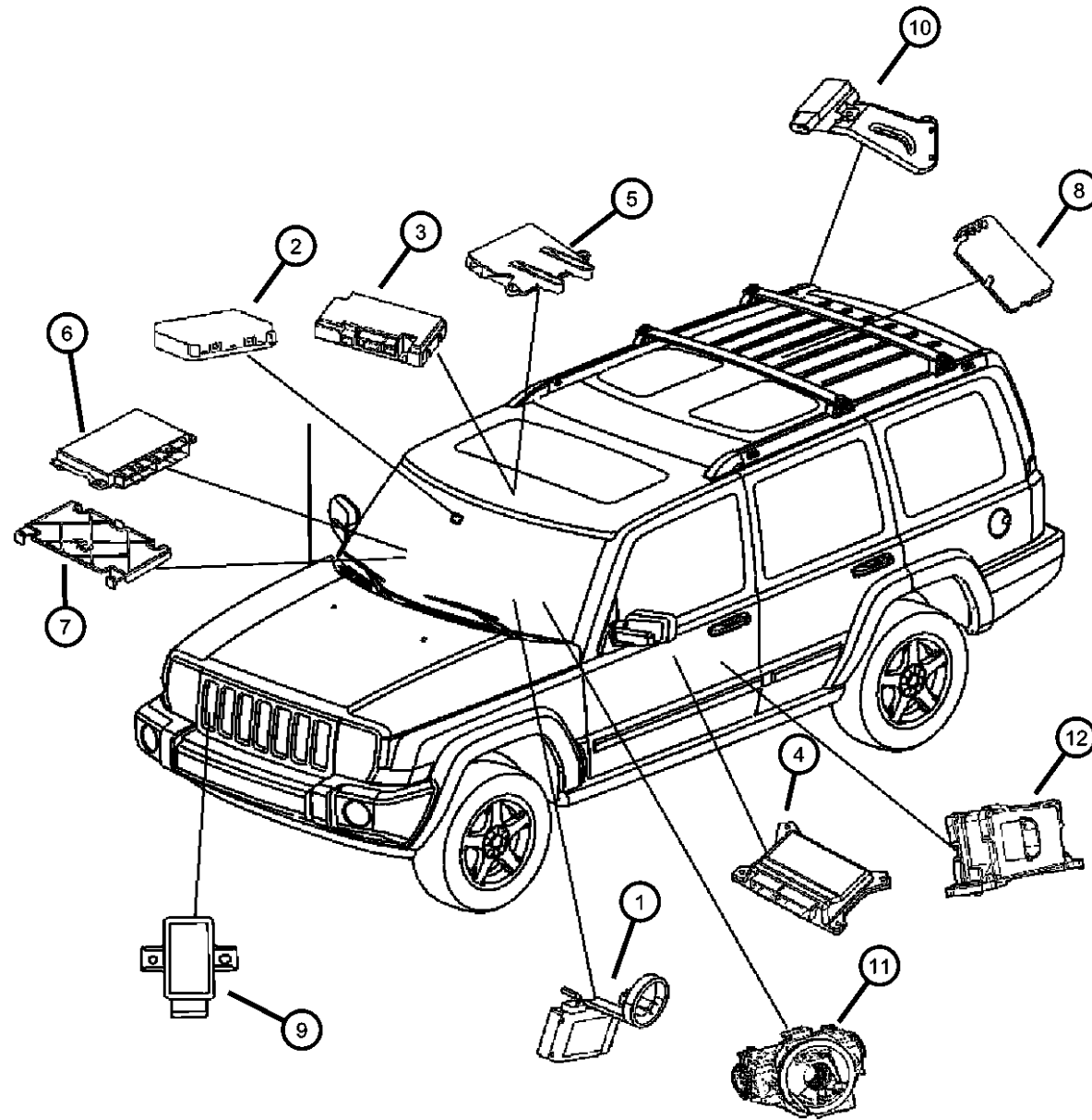
ENGINE
EKG = 3.7L V6 Engine
EVA = 4.7L V8 MPI Engine
EZB = 5.7L Hemi Multi
Displacement Engine

TRANSMISSION
DGQ = 5-Spd Automatic 5-45RFE
Transmission
DGJ = 5-Speed Automatic MB
Transmission

AR = use ase required - = Non illustrated part

2006 XK

Modules Body
Figure 8-415



ITEM	PART NUMBER	QTY	LINE	SERIES	BODY	ENGINE	TRANS	TRIM	DESCRIPTION
1	56040543AQ	1							RECEIVER, Control Module [XGM]
	56053016AN	1							[LAB] Up to 05/02/05
	56053016AO	1							[LAB] After 05/02/05
2	05026087AB	1							MODULE, Rain Sensor
3	05064013AM	1							MODULE, Telematics
4	04602620AC	2							MODULE, Door
	04602621AC	2							[LEW]
5	56054008AC	1							MODULE, Garage Door Opener
6	05150338AA	1	J, T		74		DGJ		MODULE, Transmission Control
7	56044171AC	1					DGJ		BRACKET, Control Unit, Trans module
8	05137557AB	1							MOTOR/MODULE, Sunroof
9	56053034AC	2							MODULE, Low Tire Pressure Warning, Wheel sensor trigger
10	56044729AC	1							MODULE, Low Tire Pressure Warning, Trigger
11	05143320AD	1							MODULE, Steering Control
12	56029328AB	1	J						MODULE, Electronic Stability [DHZ]
	56029349AA	1	T						[DHX]

NEW JEEP (XK)

SERIES LINE
H = HIGHLINE T = JEEP - 2WD
P = PREMIUM J = JEEP - 4WD

BODY
74 = SPORT UTILITY 4-DR

ENGINE
EKG = 3.7L V6 Engine
EVA = 4.7L V8 MPI Engine
EZB = 5.7L Hemi Multi Displacement Engine

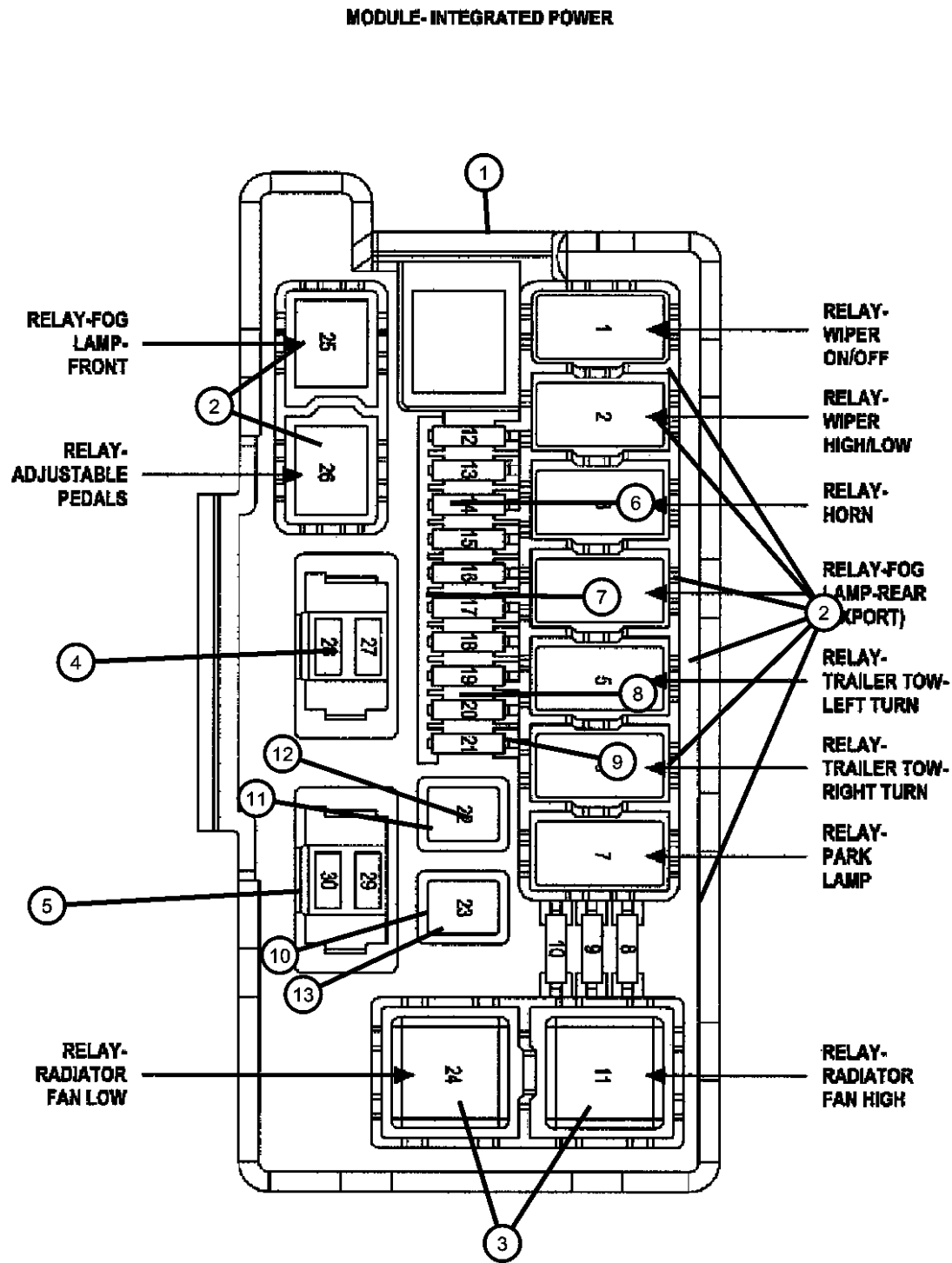
TRANSMISSION
DGQ = 5-Spd Automatic 5-45RFE Transmission
DGJ = 5-Speed Automatic MB Transmission

AR = use ase required - = Non illustrated part

2006 XK

**Power Distribution Center Front
Figure 8-505**

ITEM	PART NUMBER	QTY	LINE	SERIES	BODY	ENGINE	TRANS	TRIM	DESCRIPTION
1	04692085AA	1				EK0, EVO			POWER DISTRIBUTION CENTER Up to 09/09/05
	04692085AB	1				EK0, EVO			After 09/09/05
	04692086AA	1				EZ0			[AHX] Up to 09/09/05
	04692086AB	1				EZ0			[AHX] After 09/09/05
	04692087AA	1				EZ0			Up to 09/09/05
	04692087AB	1				EZ0			After 09/09/05
2	04671168	9				EK0, EVO			RELAY, Mini
		1				EZ0			
3	56006709	2				EK0, EVO			RELAY, Mini
		1				EZ0			
4	04868007AA	1				EK0, EVO			FUSE CARTRIDGE, 30 Amp
		1				EZ0			
5	06102078AA	1				EK0, EVO			FUSE CARTRIDGE, 50 Amp
		1				EZ0			
6	000ATM10	5				EK0, EVO			FUSE, Mini, 10 AMP, Red
		5				EZ0			
7	000ATM15	1				EK0, EVO			FUSE, Mini, 15 AMP, Light Blue
		1				EZ0			
8	000ATM20	11				EK0, EVO			FUSE, Mini, 20 AMP, Yellow
		11				EZ0			
9	000ATM25	AR							FUSE, Mini, 25 Amp, Natural
10	000ATM30	AR							FUSE, Mini, 30 AMP, Green
11	000MAX30	AR							FUSE, Maxi, 30 Amp, Green
12	000MAX40	AR							FUSE, Maxi, 40 AMP, Amber
13	000MAX50	AR							FUSE, Maxi, 50 AMP, Red
-14									COVER, Power Distribution Center



NEW JEEP (XK)

SERIES	LINE	BODY	ENGINE	TRANSMISSION
H = HIGHLINE	T = JEEP - 2WD	74 = SPORT UTILITY 4-DR	EKG = 3.7L V6 Engine	DGQ = 5-Spd Automatic 5-45RFE
P = PREMIUM	J = JEEP - 4WD		EVA = 4.7L V8 MPI Engine	Transmission
			EZB = 5.7L Hemi Multi Displacement Engine	DGJ = 5-Speed Automatic MB Transmission

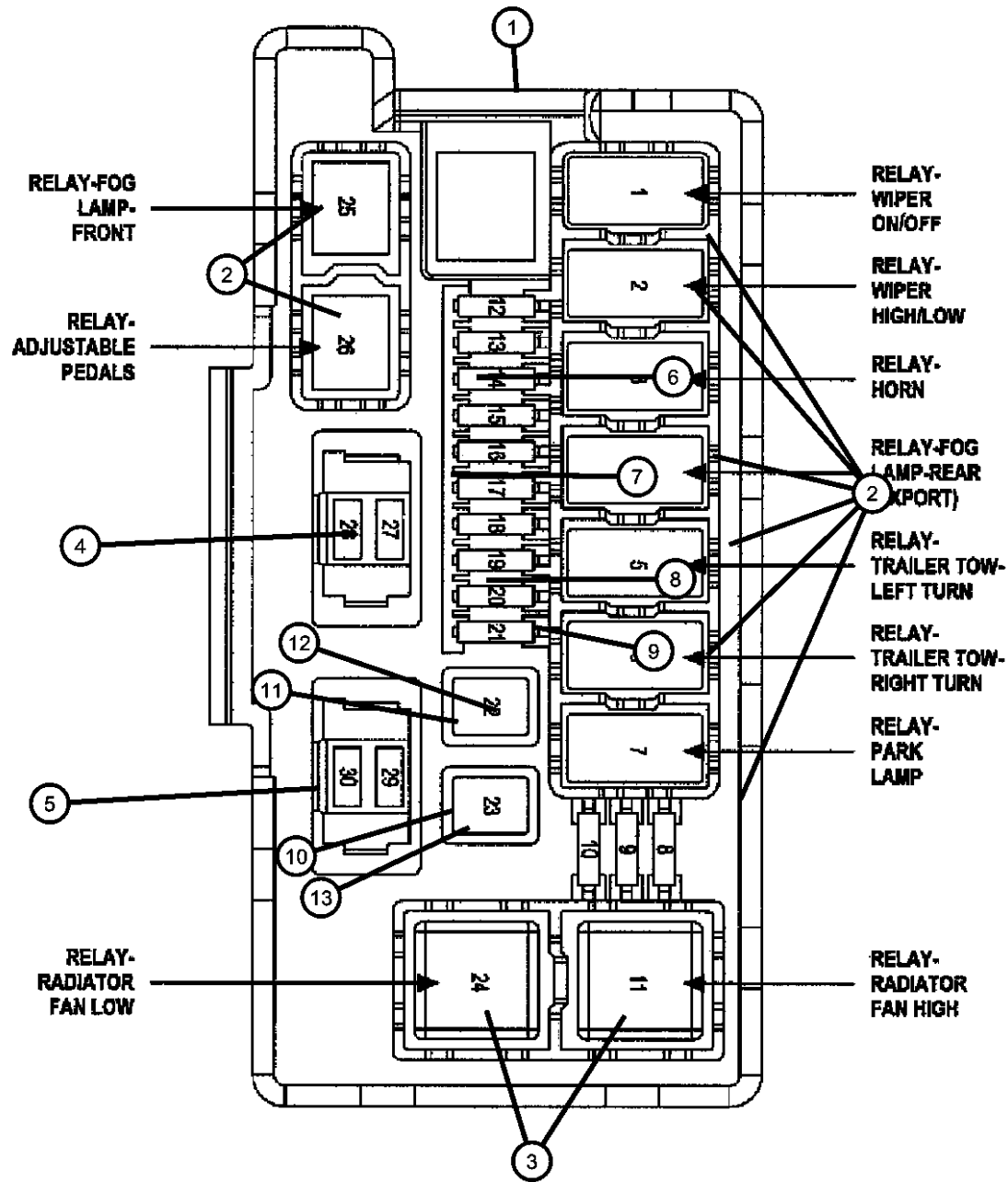
AR = use ase required - = Non illustrated part

Power Distribution Center Front
Figure 8-505

ITEM	PART NUMBER	QTY	LINE	SERIES	BODY	ENGINE	TRANS	TRIM	DESCRIPTION
------	-------------	-----	------	--------	------	--------	-------	------	-------------

MODULE-INTEGRATED POWER

05127783AB	1					EK0, EVO			
	1					EZ0			



NEW JEEP (XK)

SERIES LINE
H = HIGHLINE T = JEEP - 2WD
P = PREMIUM J = JEEP - 4WD

BODY
74 = SPORT UTILITY 4-DR

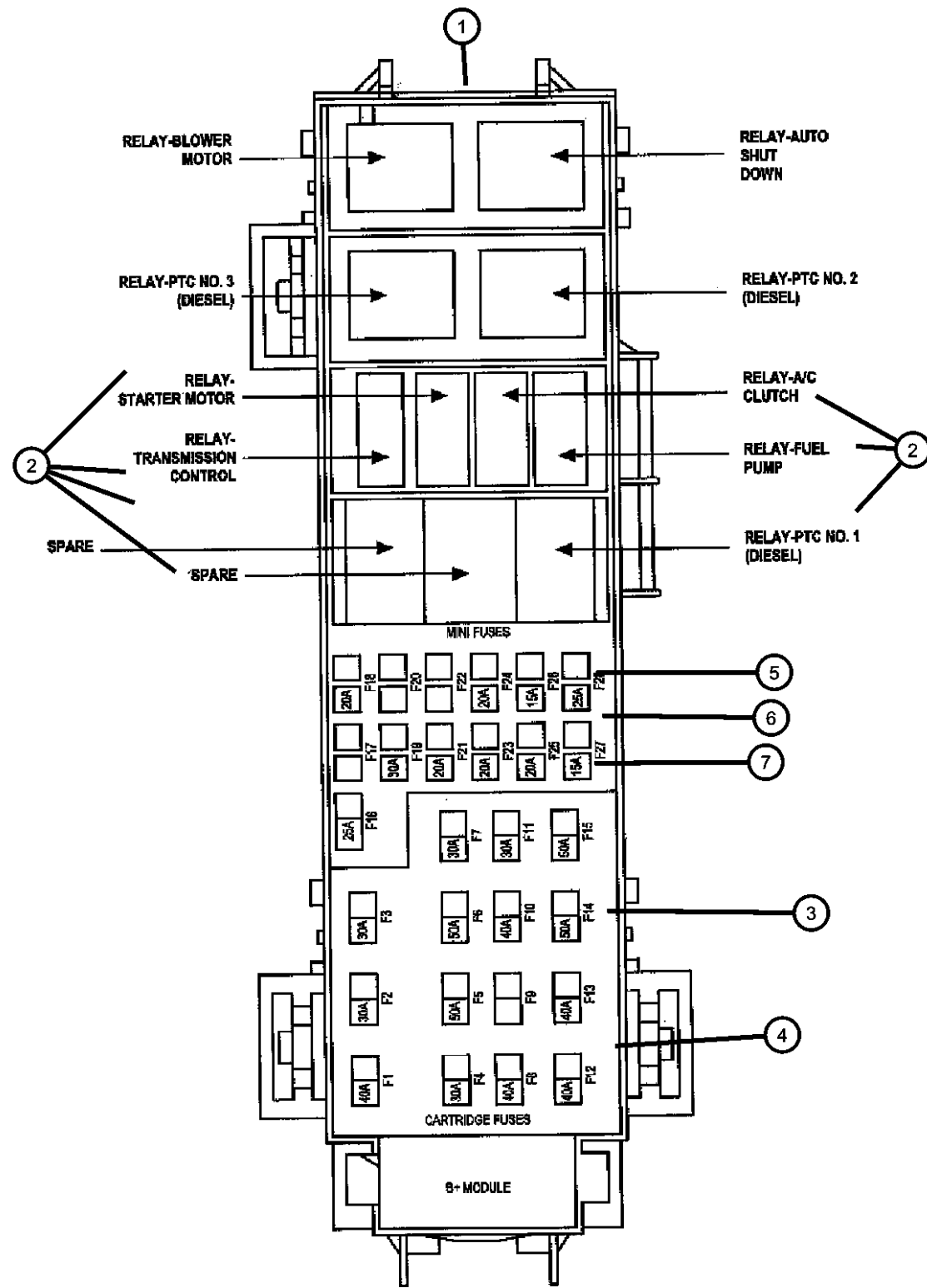
ENGINE
EKG = 3.7L V6 Engine
EVA = 4.7L V8 MPI Engine
EZB = 5.7L Hemi Multi Displacement Engine

TRANSMISSION
DGQ = 5-Spd Automatic 5-45RFE Transmission
DGJ = 5-Speed Automatic MB Transmission

AR = use ase required - = Non illustrated part

2006 XK

Power Distribution Center Rear
Figure 8-510



ITEM	PART NUMBER	QTY	LINE	SERIES	BODY	ENGINE	TRANS	TRIM	DESCRIPTION
1		1							POWER DISTRIBUTION CENTER, Serviced in Headlamp to Dash Wiring, (NOT SERVICED)
2	04671168	9				EK0, EVO			RELAY, Mini
		1				EZ0			
3	04868007AA	1				EK0, EVO			FUSE CARTRIDGE, 30 Amp
		1				EZ0			
4	06102078AA	1				EK0, EVO			FUSE CARTRIDGE, 50 Amp
		1				EZ0			
5	000ATM10	5				EK0, EVO			FUSE, Mini, 10 AMP, Red
		5				EZ0			
6	000ATM15	1				EK0, EVO			FUSE, Mini, 15 AMP, Light Blue
		1				EZ0			
7	000ATM20	11				EK0, EVO			FUSE, Mini, 20 AMP, Yellow
		11				EZ0			

NEW JEEP (XK)

SERIES LINE
H = HIGHLINE T = JEEP - 2WD
P = PREMIUM J = JEEP - 4WD

BODY
74 = SPORT UTILITY 4-DR

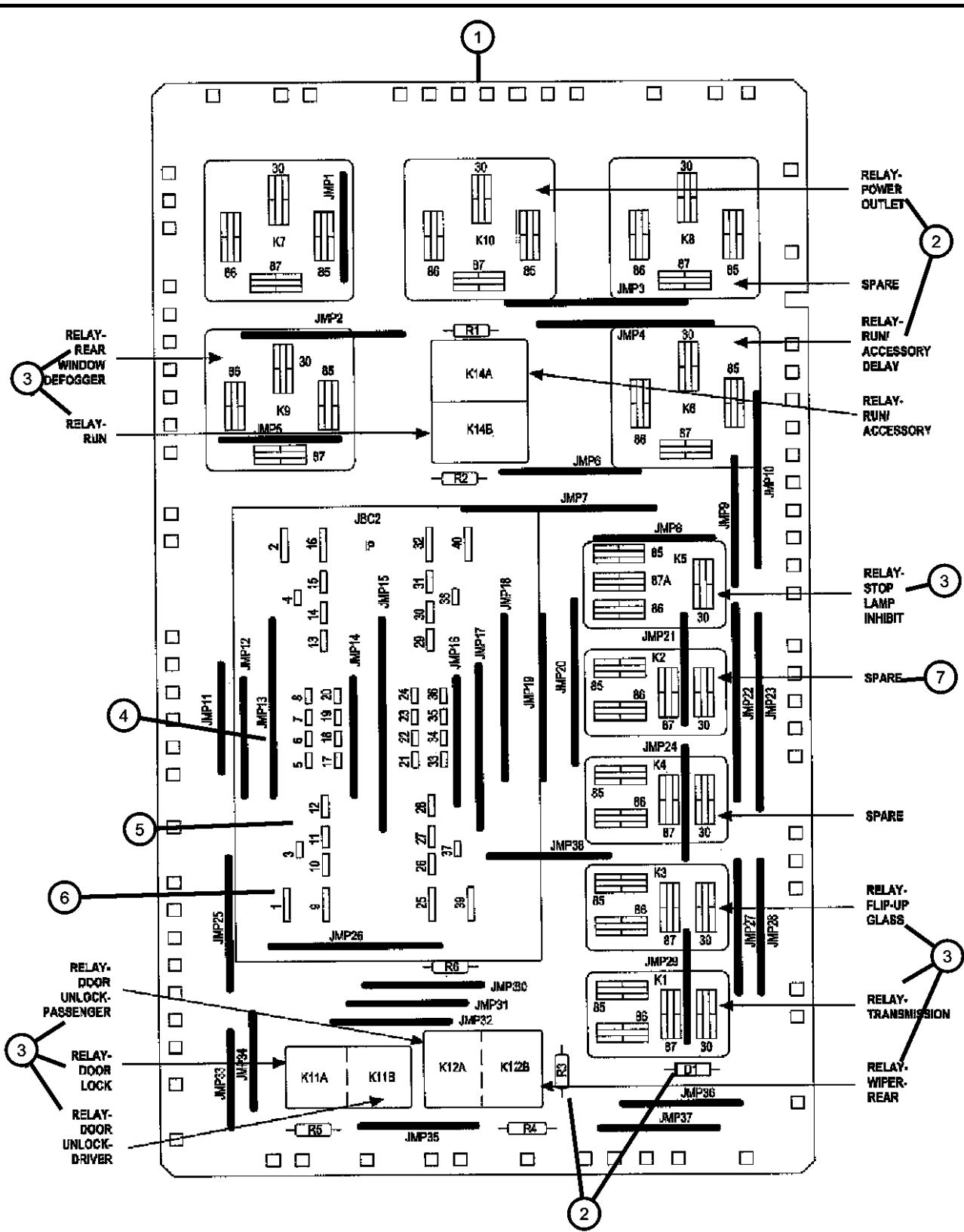
ENGINE
EKG = 3.7L V6 Engine
EVA = 4.7L V8 MPI Engine
EZB = 5.7L Hemi Multi Displacement Engine

TRANSMISSION
DGQ = 5-Spd Automatic 5-45RFE Transmission
DGJ = 5-Speed Automatic MB Transmission

AR = use ase required - = Non illustrated part

2006 XK

Junction Block, Relays, Circuit Breaker
Figure 8-515



ITEM	PART NUMBER	QTY	LINE	SERIES	BODY	ENGINE	TRANS	TRIM	DESCRIPTION
1	56050066AC	1							JUNCTION BLOCK, Relay [HB8]
	56050593AB	1							[HBB]
2	05143950AA	1							BREAKER, Circuit Silver
	05143953AA	1							Gold
3	04671168	9				EK0, EVO			RELAY, Mini
		1				EZ0			
4	000ATM10	5				EK0, EVO			FUSE, Mini, 10 AMP, Red
		5				EZ0			
5	000ATM15	1				EK0, EVO			FUSE, Mini, 15 AMP, Light Blue
		1				EZ0			
6	000ATM20	11				EK0, EVO			FUSE, Mini, 20 AMP, Yellow
		11				EZ0			
7	56006709	2				EK0, EVO			RELAY, Mini
		1				EZ0			

NEW JEEP (XK)			
SERIES	LINE	BODY	ENGINE
H = HIGHLINE	T = JEEP - 2WD	74 = SPORT UTILITY 4-DR	EKG = 3.7L V6 Engine
P = PREMIUM	J = JEEP - 4WD		EVA = 4.7L V8 MPI Engine
			EZB = 5.7L Hemi Multi Displacement Engine
			TRANSMISSION
			DGQ = 5-Spd Automatic 5-45RFE Transmission
			DGJ = 5-Speed Automatic MB Transmission

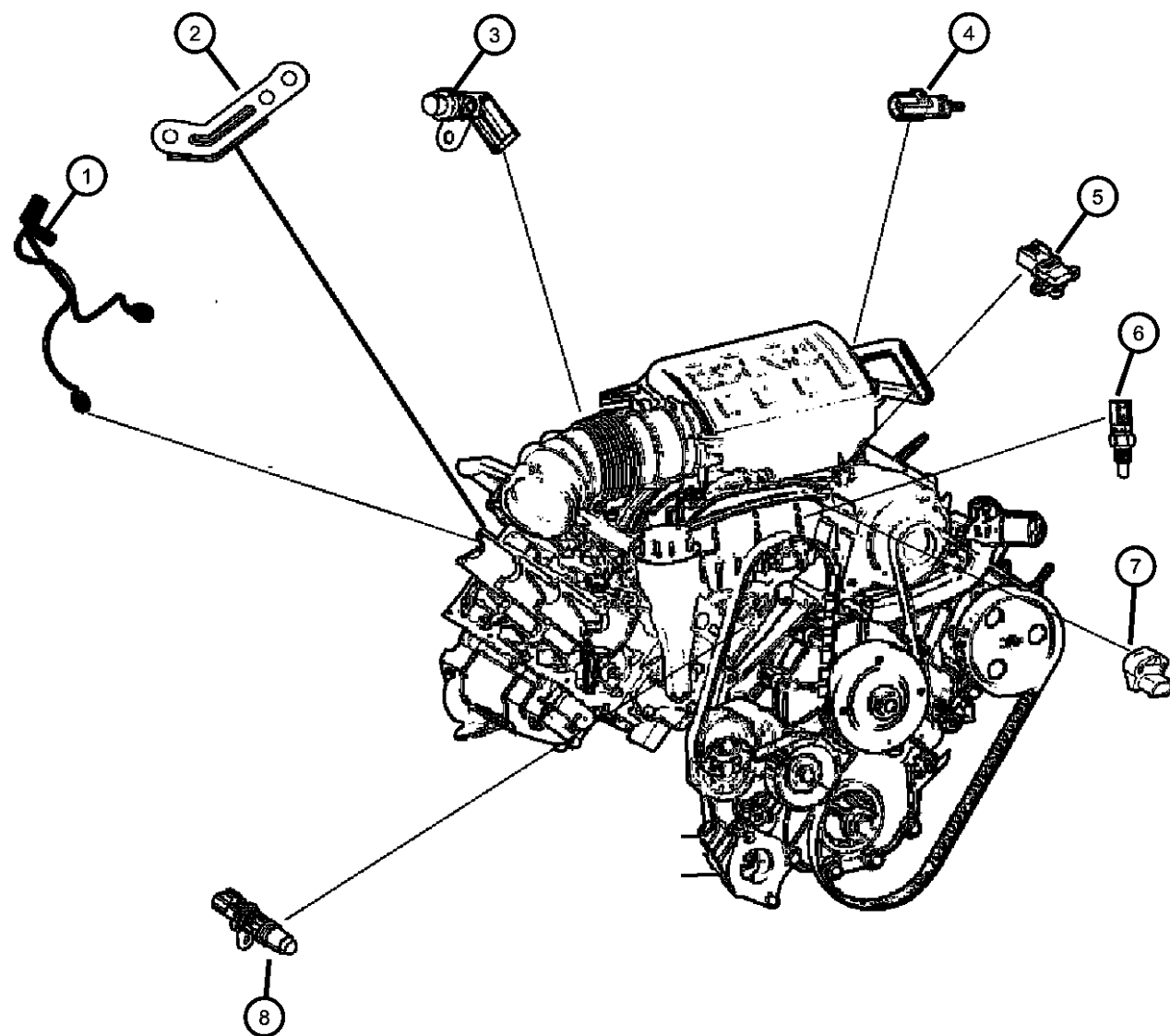
AR = use ase required - = Non illustrated part

Sensors Engine [3.7L engine]
Figure 8-605

ITEM	PART NUMBER	QTY	LINE	SERIES	BODY	ENGINE	TRANS	TRIM	DESCRIPTION
------	-------------	-----	------	--------	------	--------	-------	------	-------------

Notes:
[EK0]=3.7L V6 Engine

1	56041679AC	1				EK0			SENSOR, Knock
2	56041849AA	1				EK0			BRACKET, Knock Sensor
3	56044180AB	1				EK0			SENSOR, Crankshaft Position
4	56028364AA	1				EK0			SENSOR, Air Temperature
5	56041018AC	1				EK0			SENSOR, MAP
6	56027873	1				EK0, EVO			SENSOR, Coolant Temperature
7	05019411AC	1				EK0			SENSOR KIT, Throttle Position
8	56041584AE	1				EK0, EVO			SENSOR, Camshaft



NEW JEEP (XK)

SERIES LINE
H = HIGHLINE T = JEEP - 2WD
P = PREMIUM J = JEEP - 4WD

BODY
74 = SPORT UTILITY 4-DR

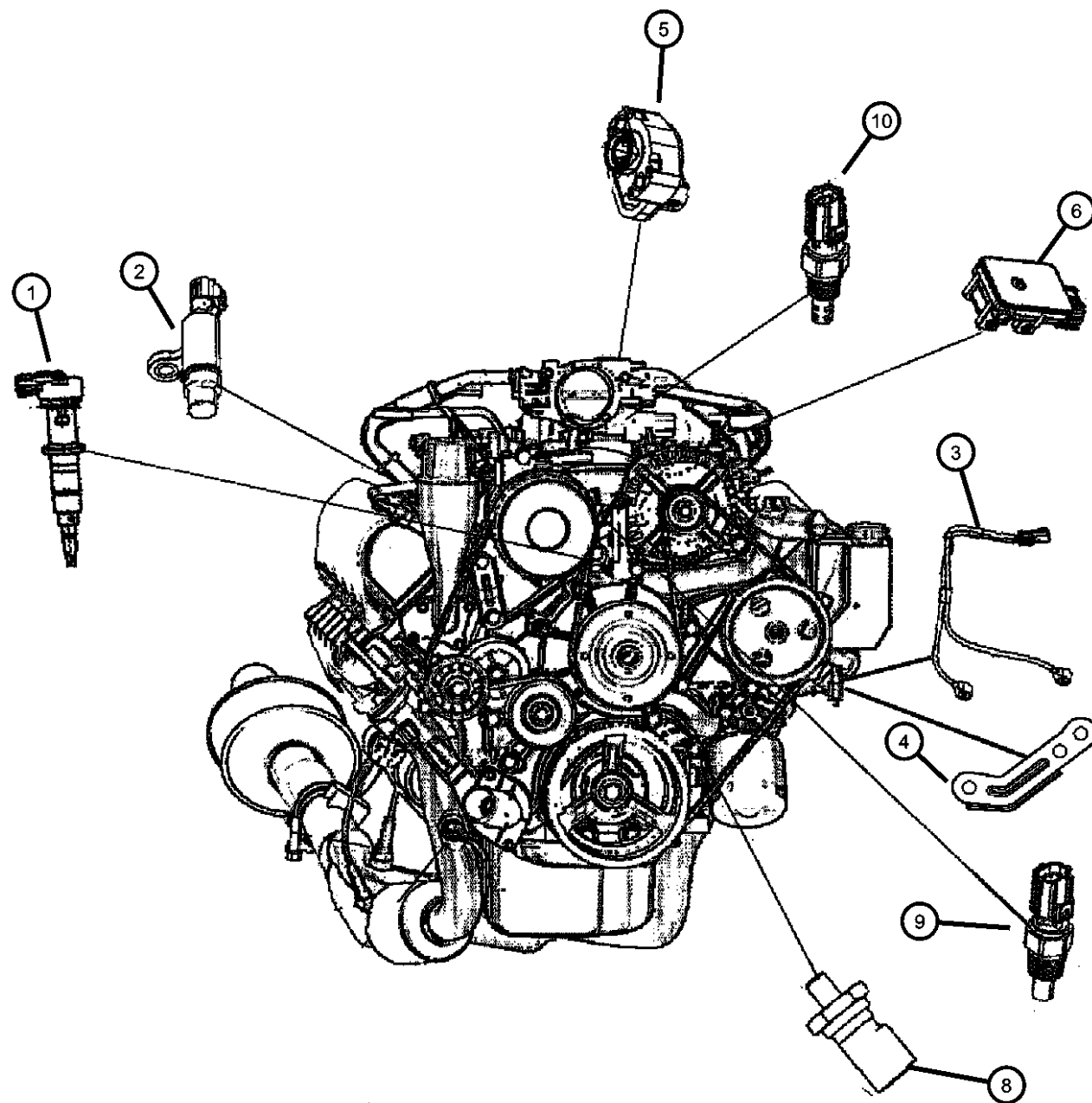
ENGINE
EKG = 3.7L V6 Engine
EVA = 4.7L V8 MPI Engine
EZB = 5.7L Hemi Multi Displacement Engine

TRANSMISSION
DGQ = 5-Spd Automatic 5-45RFE Transmission
DGJ = 5-Speed Automatic MB Transmission

AR = use ase required - = Non illustrated part

2006 XK

Sensors, Engine (4.7L) [EV0]
Figure 8-610



ITEM	PART NUMBER	QTY	LINE	SERIES	BODY	ENGINE	TRANS	TRIM	DESCRIPTION
1	56041584AE	1				EK0, EV0			SENSOR, Camshaft
2	56028666AA	1				EV0			SENSOR, Crankshaft Position
3	56041677AB	1				EV0			SENSOR, Knock
4	56041849AA	1				EV0			BRACKET, Knock Sensor
5	05017479AA	1				EV0			SENSOR KIT, Throttle Position
6	56041018AC	1				EV0			SENSOR, MAP
-7	06102192AA	1				EV0			SCREW, Intake Manifold, MAP sensor attaching
8	04868672AA	1				EK0, EV0			SWITCH, Oil Pressure
9	56027873	1				EK0, EV0			SENSOR, Coolant Temperature
10	56028364AA	1				EV0			SENSOR, Air Temperature

NEW JEEP (XK)

SERIES LINE
H = HIGHLINE T = JEEP - 2WD
P = PREMIUM J = JEEP - 4WD

BODY
74 = SPORT UTILITY 4-DR

ENGINE
EKG = 3.7L V6 Engine
EVA = 4.7L V8 MPI Engine
EZB = 5.7L Hemi Multi Displacement Engine

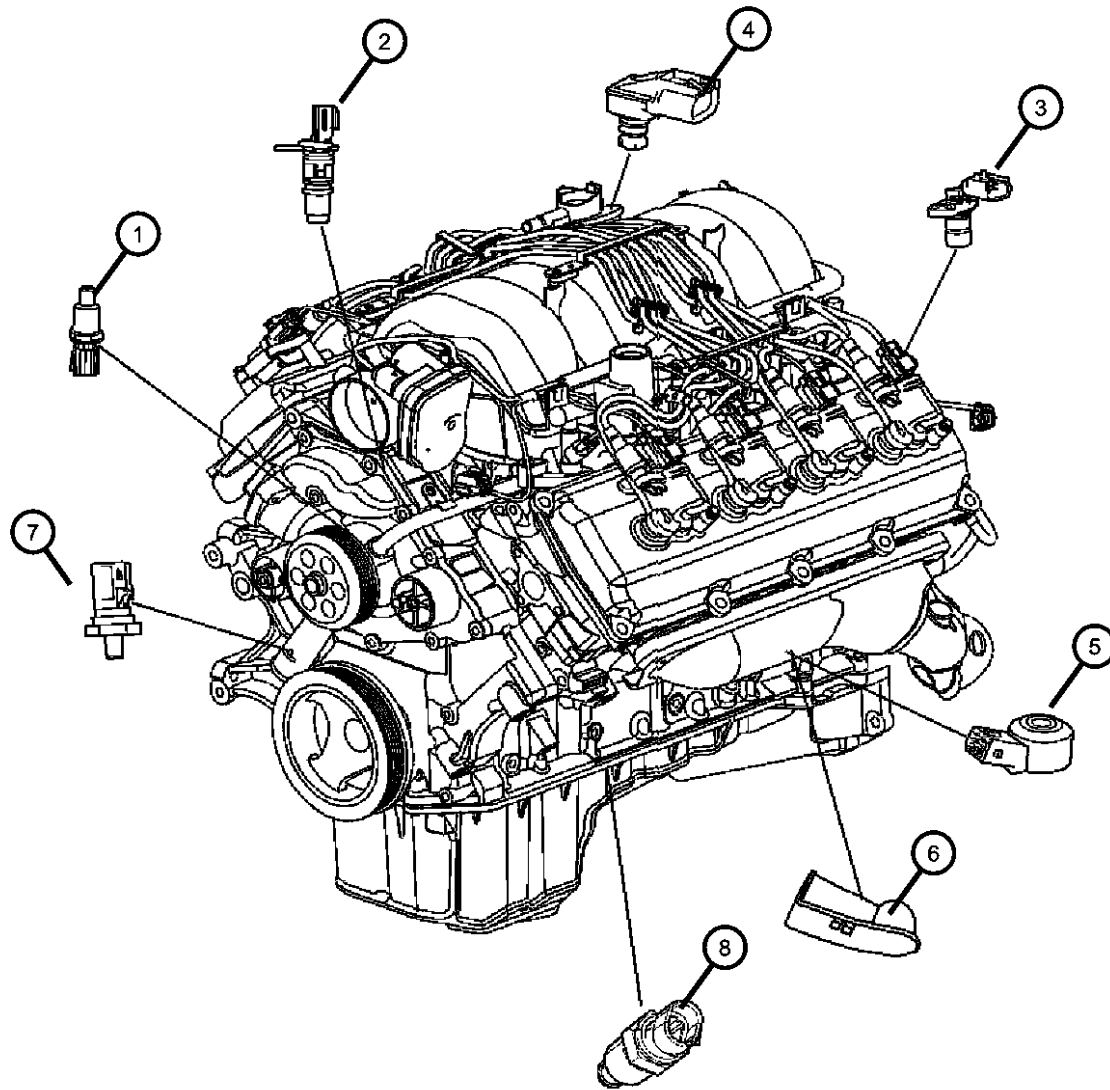
TRANSMISSION
DGQ = 5-Spd Automatic 5-45RFE Transmission
DGJ = 5-Speed Automatic MB Transmission

AR = use ase required - = Non illustrated part

2006 XK

Sensors Engine [5.7L Engine]
Figure 8-615

ITEM	PART NUMBER	QTY	LINE	SERIES	BODY	ENGINE	TRANS	TRIM	DESCRIPTION
1	05269870AB	1				EZ0			SENSOR, Coolant Temperature
2	56041584AE	1				EZ0			SENSOR, Camshaft
3	56028815AA	1				EZ0			SENSOR, Crankshaft Position
4	56028562AB	1				EZB			SENSOR, MAP
5	56028563AA	2				EZ0			SENSOR, Knock
6	55394453AA	1							SHIELD, Heat
7	56044777AA	1				EZ0			SENDING UNIT, Oil Pressure
8	05149008AA	1				EZB			SENSOR, Temperature, Oil temperature



NEW JEEP (XK)

SERIES LINE
H = HIGHLINE T = JEEP - 2WD
P = PREMIUM J = JEEP - 4WD

BODY
74 = SPORT UTILITY 4-DR

ENGINE
EKG = 3.7L V6 Engine
EVA = 4.7L V8 MPI Engine
EZB = 5.7L Hemi Multi Displacement Engine

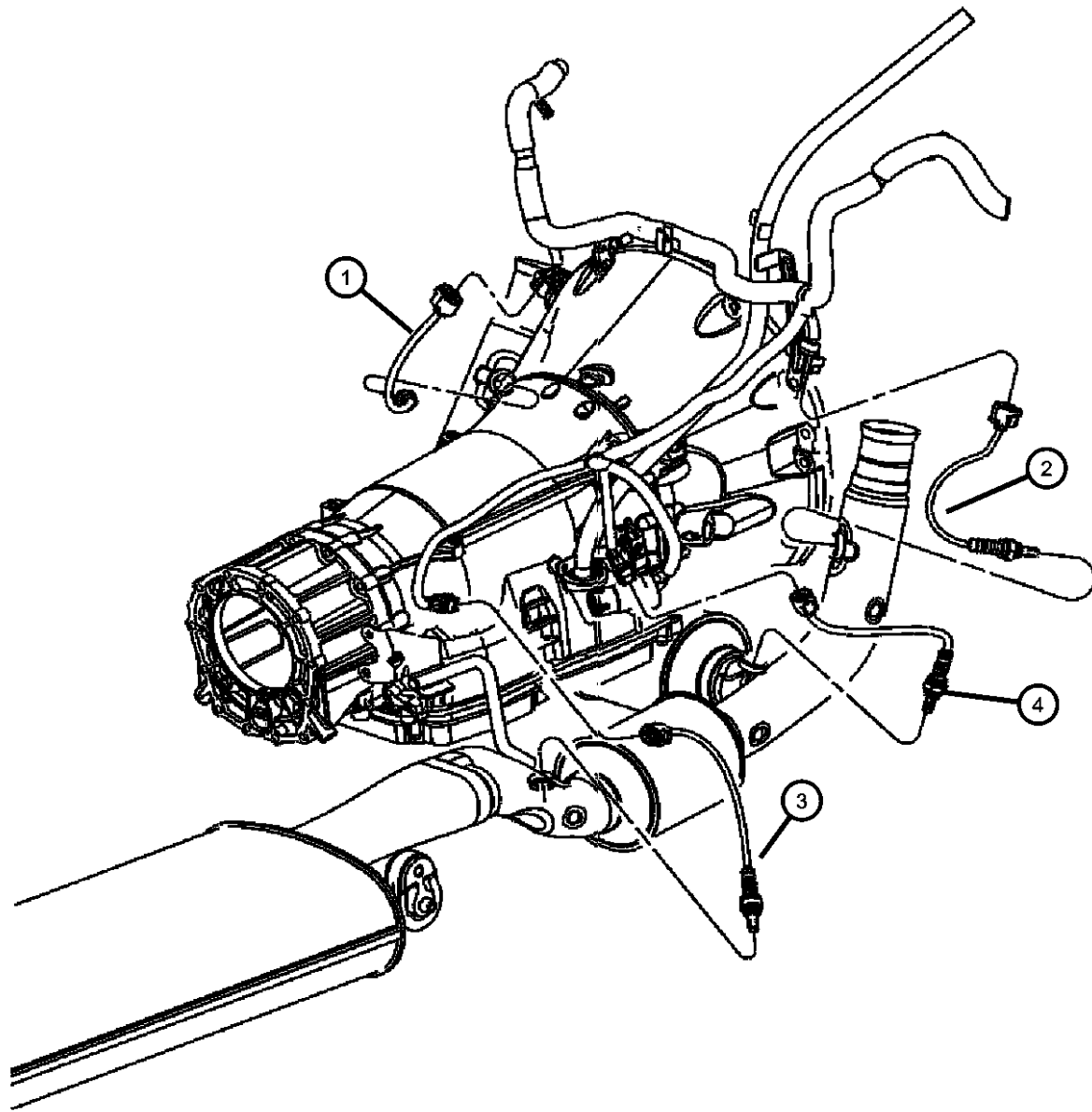
TRANSMISSION
DGQ = 5-Spd Automatic 5-45RFE Transmission
DGJ = 5-Speed Automatic MB Transmission

AR = use ase required - = Non illustrated part

2006 XK

Sensors Oxygen [3.7L engine]
Figure 8-620

ITEM	PART NUMBER	QTY	LINE	SERIES	BODY	ENGINE	TRANS	TRIM	DESCRIPTION
1	56028994AB	1				EK0			SENSOR, OxygenLeft, Before Catalyst
2	56028994AB	1				EK0			SENSOR, OxygenRight, Before Catalyst
3	56029049AA	1				EK0			SENSOR, OxygenLeft, After Catalyst
4	56029049AA	1				EK0			SENSOR, OxygenRight, After Catalyst



NEW JEEP (XK)

SERIES LINE
H = HIGHLINE T = JEEP - 2WD
P = PREMIUM J = JEEP - 4WD

BODY
74 = SPORT UTILITY 4-DR

ENGINE
EKG = 3.7L V6 Engine
EVA = 4.7L V8 MPI Engine
EZB = 5.7L Hemi Multi Displacement Engine

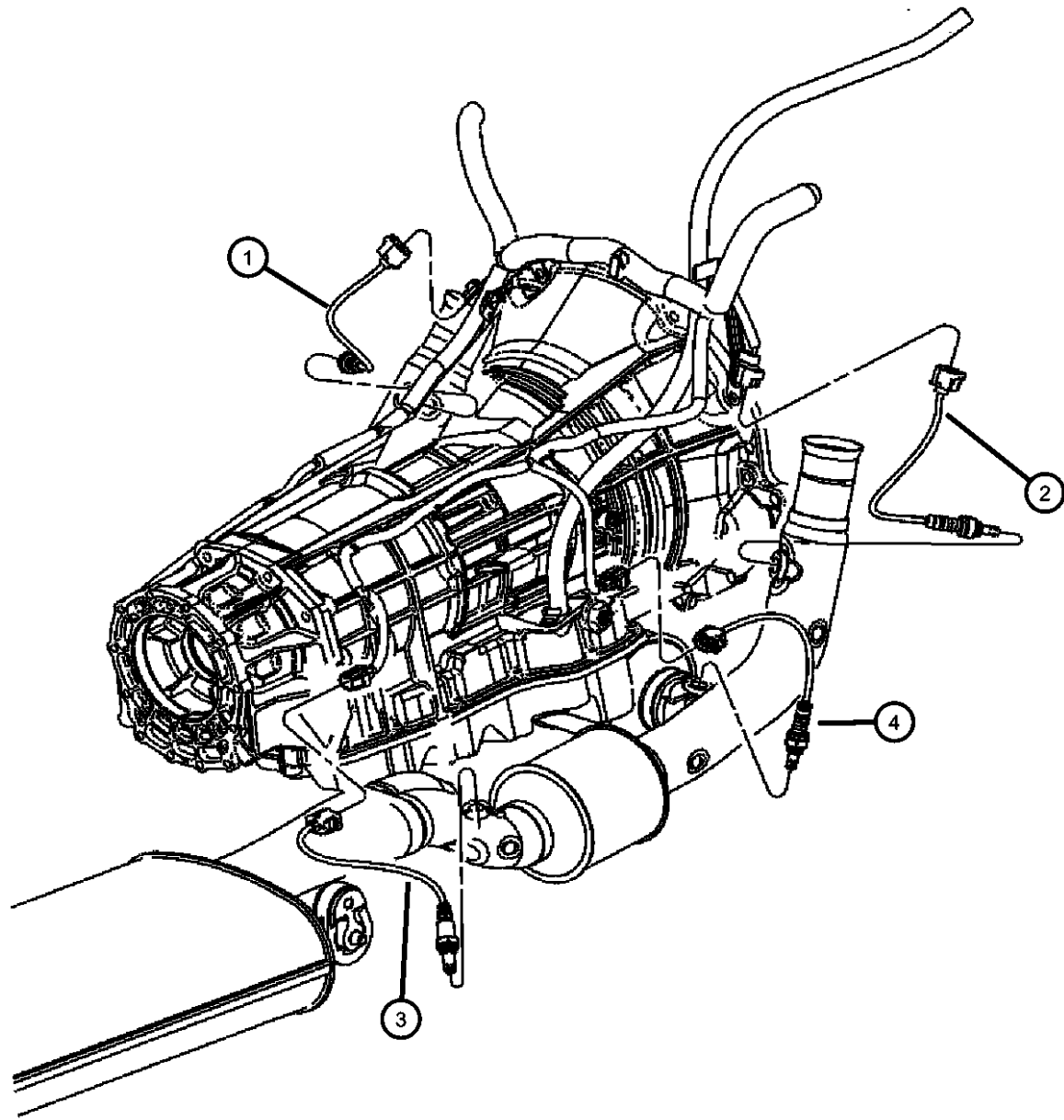
TRANSMISSION
DGQ = 5-Spd Automatic 5-45RFE Transmission
DGJ = 5-Speed Automatic MB Transmission

AR = use ase required - = Non illustrated part

2006 XK

Sensors, Oxygen [4.7L Engine]
Figure 8-625

ITEM	PART NUMBER	QTY	LINE	SERIES	BODY	ENGINE	TRANS	TRIM	DESCRIPTION
1	56028998AB	1				EVO			SENSOR, OxygenBefore Catalyst, Left
2	56028998AB	1				EVO			SENSOR, OxygenBefore Catalyst, Right
3	56028998AB	1				EVO			SENSOR, OxygenAfter Catalyst, Left
4	56028998AB	1				EVO			SENSOR, OxygenAfter Catalyst, Right



NEW JEEP (XK)

SERIES LINE
H = HIGHLINE T = JEEP - 2WD
P = PREMIUM J = JEEP - 4WD

BODY
74 = SPORT UTILITY 4-DR

ENGINE
EKG = 3.7L V6 Engine
EVA = 4.7L V8 MPI Engine
EZB = 5.7L Hemi Multi Displacement Engine

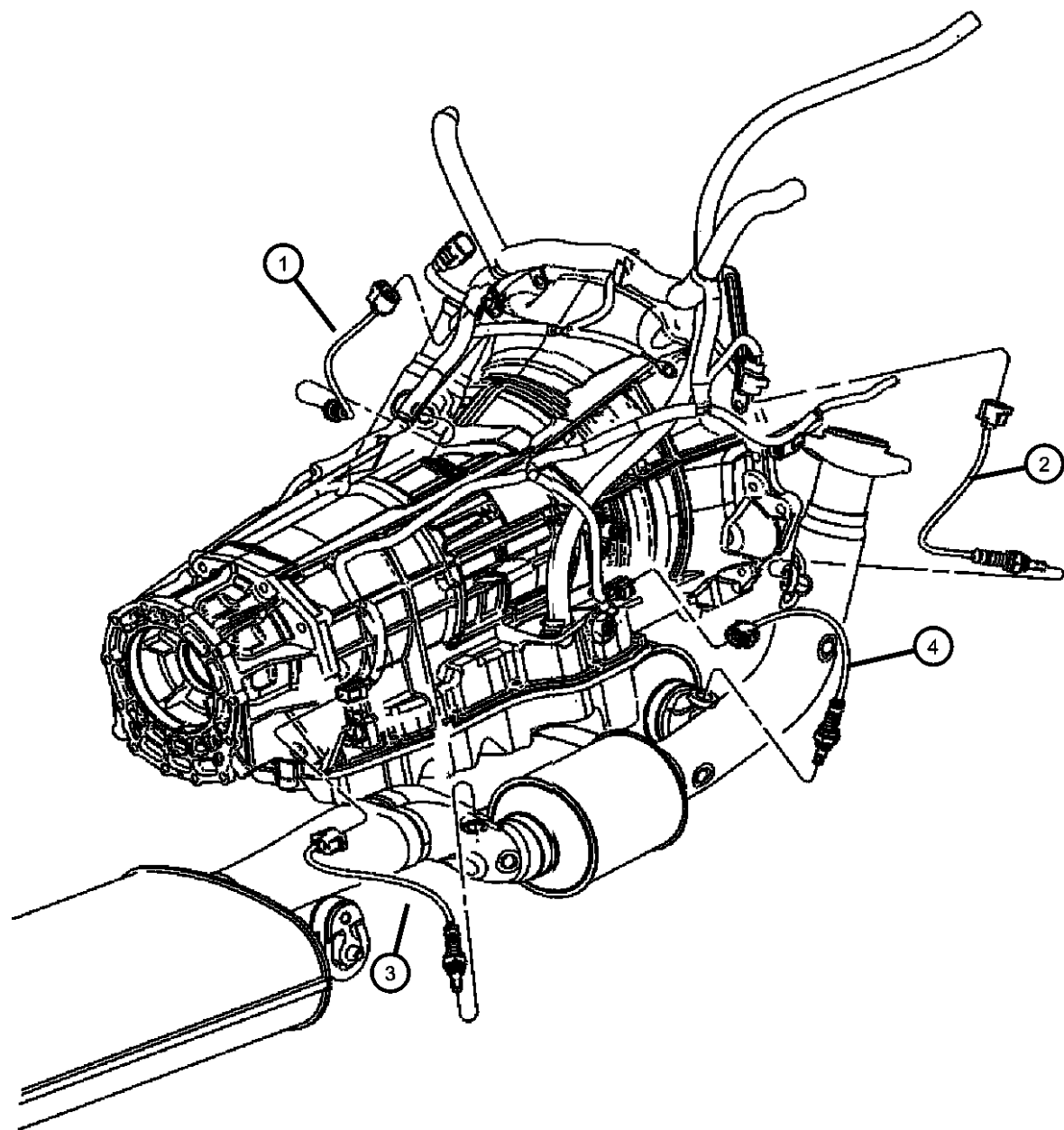
TRANSMISSION
DGQ = 5-Spd Automatic 5-45RFE Transmission
DGJ = 5-Speed Automatic MB Transmission

AR = use ase required - = Non illustrated part

2006 XK

Sensors Oxygen [5.7L Engine]
Figure 8-630

ITEM	PART NUMBER	QTY	LINE	SERIES	BODY	ENGINE	TRANS	TRIM	DESCRIPTION
1	56028994AB	1				EZ0			SENSOR, OxygenLeft, Before Catalyst
2	56028994AB	1				EZ0			SENSOR, OxygenRight, Before Catalyst
3	56029049AA	1				EZ0			SENSOR, OxygenLeft, After Catalyst
4	56029049AA	1				EZ0			SENSOR, OxygenRight, After Catalyst



NEW JEEP (XK)

SERIES LINE
H = HIGHLINE T = JEEP - 2WD
P = PREMIUM J = JEEP - 4WD

BODY
74 = SPORT UTILITY 4-DR

ENGINE
EKG = 3.7L V6 Engine
EVA = 4.7L V8 MPI Engine
EZB = 5.7L Hemi Multi Displacement Engine

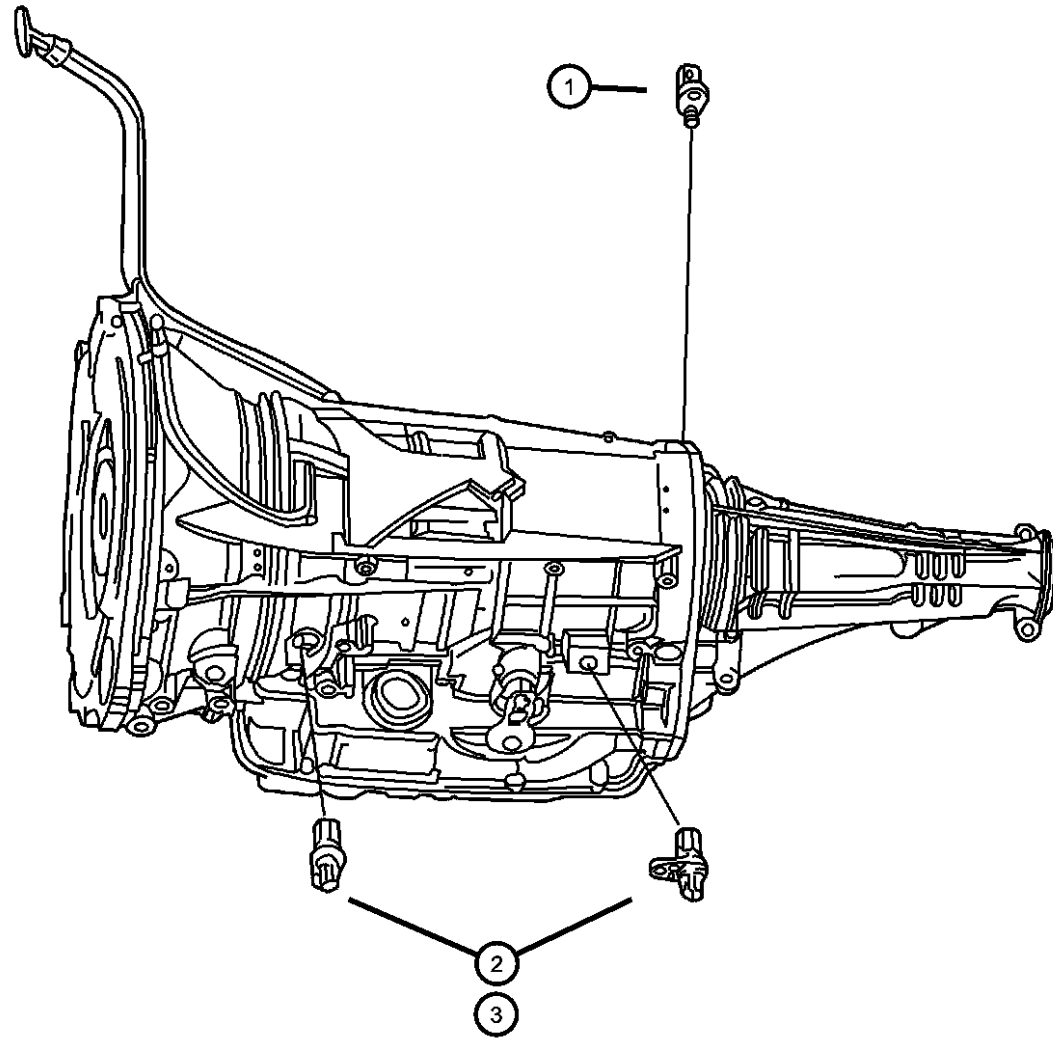
TRANSMISSION
DGQ = 5-Spd Automatic 5-45RFE Transmission
DGJ = 5-Speed Automatic MB Transmission

AR = use ase required - = Non illustrated part

2006 XK

Sensors Drivetrain
Figure 8-635

ITEM	PART NUMBER	QTY	LINE	SERIES	BODY	ENGINE	TRANS	TRIM	DESCRIPTION
1	04799758	1	T			EVO	DGQ		TRANSDUCER, Pressure Sensor
		1	J			EVO	DGQ		
2	04799061AB	2	T			EVO	DGQ		SENSOR, Transmission Input Speed
		2	J			EVO	DGQ		
3	52108308AB	1	T				DGJ		CONNECTOR Speed sensor
		1	J				DGJ		Speed sensor



NEW JEEP (XK)

SERIES LINE
H = HIGHLINE T = JEEP - 2WD
P = PREMIUM J = JEEP - 4WD

BODY
74 = SPORT UTILITY 4-DR

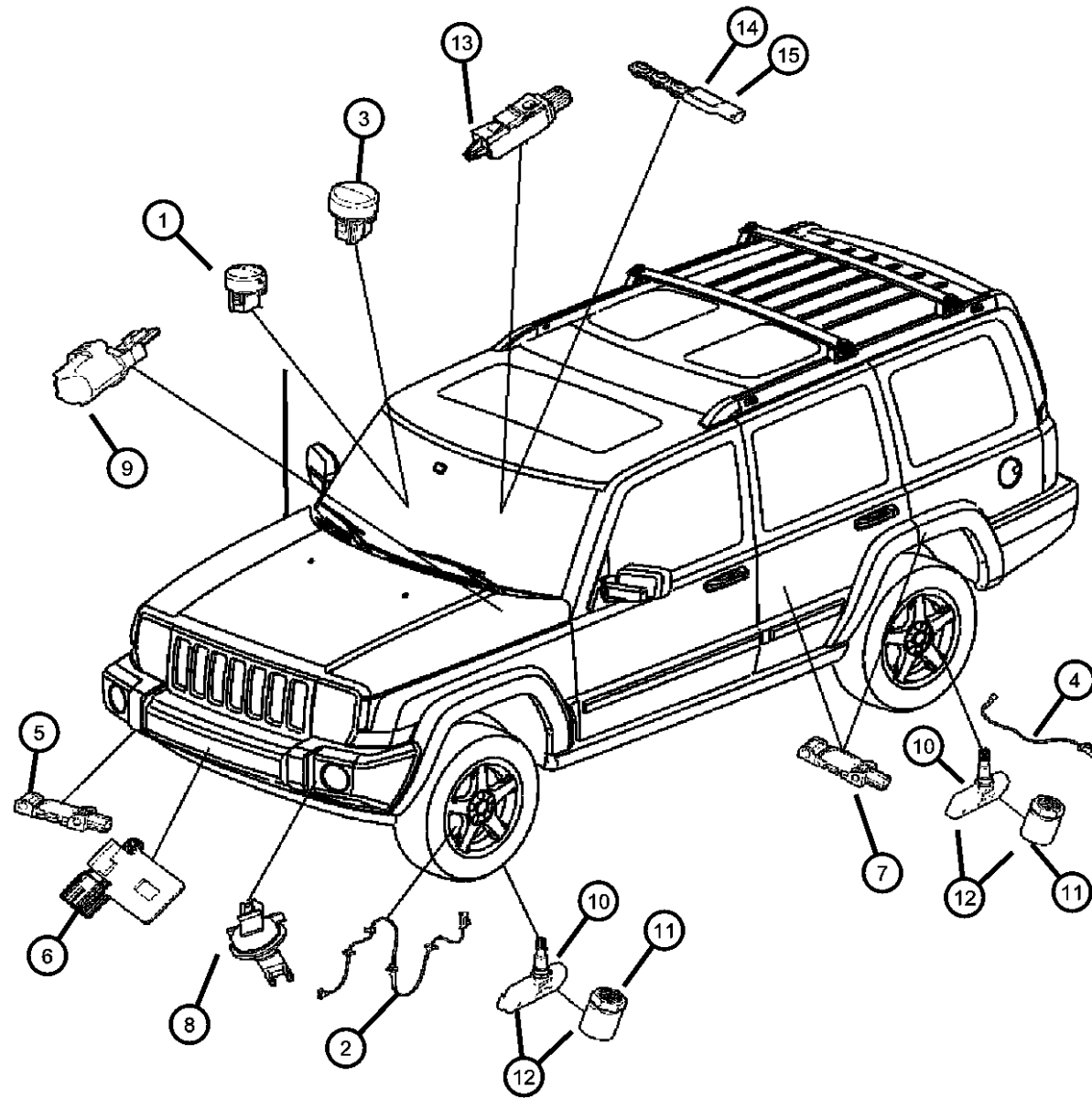
ENGINE
EKG = 3.7L V6 Engine
EVA = 4.7L V8 MPI Engine
EZB = 5.7L Hemi Multi
Displacement Engine

TRANSMISSION
DGQ = 5-Spd Automatic 5-45RFE
Transmission
DGJ = 5-Speed Automatic MB
Transmission

AR = use ase required - = Non illustrated part

2006 XK

Sensors Body
Figure 8-640



ITEM	PART NUMBER	QTY	LINE	SERIES	BODY	ENGINE	TRANS	TRIM	DESCRIPTION
1	55116838AB	1							SENSOR, A.T.C. Sun
2	56044144AB	2							SENSOR, Anti-Lock Brakes
3	56050241AB	1							SENSOR, Headlamp
4	56044146AA	2							SENSOR, Wheel Speed
5									SENSOR, Side Airbag Impact
	04671779AC	2							Front up to 03/28/06
	04896173AA	2	J, T		74				Front after 03/28/06
6	56042395	1							SENSOR, Ambient Temperature
7	04671779AC	6							SENSOR, Side Airbag Impact
8	05161966AA	1							SENSOR, Washer Fluid Level
9	05013903AA	1							SENSOR, Brake Fluid Level
10	56053030AB	4							SENSOR, Tire Pressure, Valve stem
11	68001696AA	1	J, T		74				SENSOR PACKAGE, Tire Pressure, This package contains: 56053030AC SENSOR - TIRE PRESSURE 56053033AA NUT - TIRE PRESSURE K6855511 INSTRUCTION SHEET HARDWARE KIT, Mounting
12									THIS KIT CONTAINS:1-S120120001, NUT, TPM RETAINING 1- S122990001, WASHER, SEAL SUPPORT 1- S122140001, CAP, VALVE STEM, BLACK, EURO 1- S120121001, CAP, VALVE STEM
	68001743AA	1	J, T		74				THIS KIT CONTAINS:1-S122914001, VALVE CORE, TPM 1- S120121001, CAP, VALVE STEM, GREY, DOMESTIC 1- S122140001, CAP, VALVE STEM, BLACK, EUROPE
	68001744AA	1	J, T		74				THIS KIT CONTAINS:1-S122914001, VALVE CORE, TPM 1- S120121001, CAP, VALVE STEM, GREY, DOMESTIC 1- S122140001, CAP, VALVE STEM, BLACK, EUROPE
13	56043206AC	2							SENSOR, Seat track position
14	05143488AA	4							SENSOR KIT, Strain Gauge, INCLUDES: STRAIN GAUGE AND ALL NECESSARY FASTENERS WHEN REPLACING THE STRAIN GAUGE, AS WELL AS AN I-SHEET ADVISING REPLACEMENT OF FASTENERS WHENEVER THEY ARE DISTURBED.
15	56043196AF	4							SENSOR, Strain Gauge

NEW JEEP (XK)

SERIES LINE
H = HIGHLINE T = JEEP - 2WD
P = PREMIUM J = JEEP - 4WD

BODY
74 = SPORT UTILITY 4-DR

ENGINE
EKG = 3.7L V6 Engine
EVA = 4.7L V8 MPI Engine
EZB = 5.7L Hemi Multi Displacement Engine

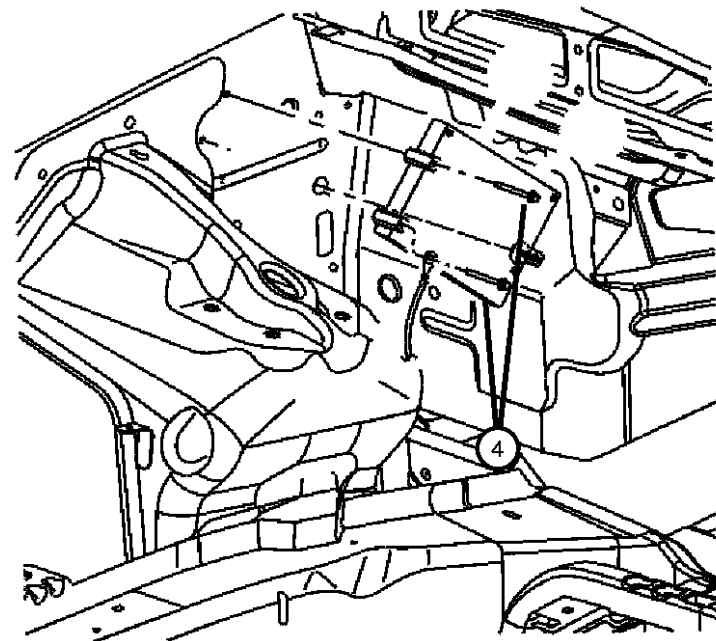
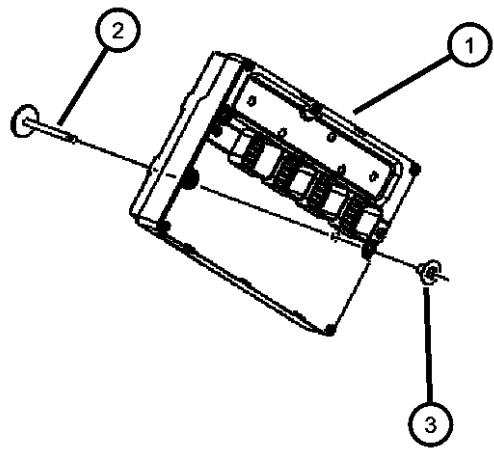
TRANSMISSION
DGQ = 5-Spd Automatic 5-45RFE Transmission
DGJ = 5-Speed Automatic MB Transmission

AR = use ase required - = Non illustrated part

2006 XK

**Powertrain Control Modules
Figure 8-705**

ITEM	PART NUMBER	QTY	LINE	SERIES	BODY	ENGINE	TRANS	TRIM	DESCRIPTION
1									MODULE, Powertrain Control, Generic
	56044742AB	1				EK0	DGJ		
	56044743AB	1				EV0	DGQ		
	56044744AB	1				EZ0	DGQ		
2	04712006AB	1							FASTENER
3	06506655AA	1							PLUG, Door Trim Panel
4	06506655AA	1							SCREW, Tapping, M5x8, (NOT SERVICED)



NEW JEEP (XK)

SERIES LINE
H = HIGHLINE T = JEEP - 2WD
P = PREMIUM J = JEEP - 4WD

BODY
74 = SPORT UTILITY 4-DR

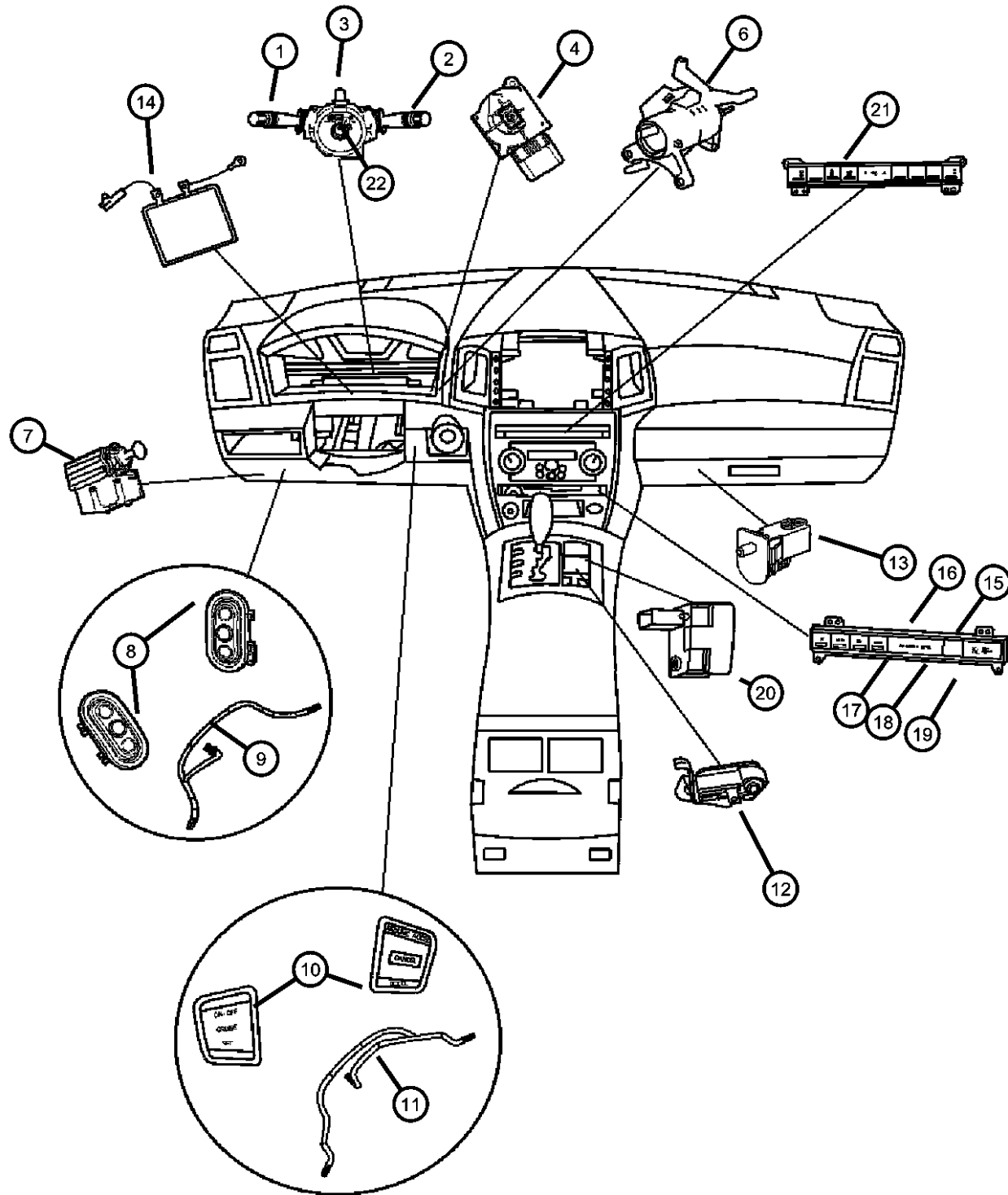
ENGINE
EKG = 3.7L V6 Engine
EVA = 4.7L V8 MPI Engine
EZB = 5.7L Hemi Multi Displacement Engine

TRANSMISSION
DGQ = 5-Spd Automatic 5-45RFE Transmission
DGJ = 5-Speed Automatic MB Transmission

AR = use ase required - = Non illustrated part

2006 XK

Switches (Instrument Panel and Console)
Figure 8-810



ITEM	PART NUMBER	QTY	LINE	SERIES	BODY	ENGINE	TRANS	TRIM	DESCRIPTION
1	05143311AD	1							SWITCH, Multifunction
	05143312AD	1							[LNJ]
	05143313AD	1							[LNJ,LMG]
2	05143310AB	1							SWITCH, Wiper and Washer
3	05143309AA	1							SWITCH, Hazard Warning
4	04685719AB	1							SWITCH, Ignition
-5	06035021	1							SCREW, Pan Head Tapping, .125-40x.437
6	56010566AC	1							HOUSING, Ignition Switch
7	56054001AA	1							SWITCH, Stop Lamp
8									SWITCH, Remote Radio
	04685728AB	1							Right
	04685729AB	1							Left
9	52029319AA	1							WIRING, Steering Wheel
10									SWITCH KIT, Cruise Control
	05143545AA	1							Left
	05143546AA	1							Right
11	56050266AA	1							WIRING, Speed Control
12	04671936AA	1							SWITCH, Parking Brake
13	04565022	1							SWITCH AND LAMP, Glove Box
14	05175930AA	1							SWITCH, Horn
15	56010655AE	1					DGQ		SWITCH, 6 Gang, [XAM,XAP,XAA,JPM,BNB,BNR]
16									SWITCH, 5 Gang
	56050127AF	1					DGQ		[XA8,XAA,JPM,BNB,BNR]
	56050136AE	1					DGJ		[XAM,XAP,XAA,JPM,BNB,BNR]
17									SWITCH, 4 Gang
	56010694AE	1					DGJ		[XA8,XAA,JPM,BNB,BNR]
	56050767AD	1					DGQ		[XAM,XAP,XAA,BNB,BNR]
18									SWITCH, 3 Gang
	56010693AD	1					DGJ		[XAM,XAP,XAA,BNB,BNR]
	56050769AE	1					DGQ		[XAA,XA8,BNB,BNR]
19	56010659AF	1					DGJ		SWITCH, 2 Gang, [XAA,XA8,BNB,BNR]
20									SWITCH, Transfer Case
	56050139AF	1	J				DGJ		

NEW JEEP (XK)

SERIES LINE
H = HIGHLINE T = JEEP - 2WD
P = PREMIUM J = JEEP - 4WD

BODY
74 = SPORT UTILITY 4-DR

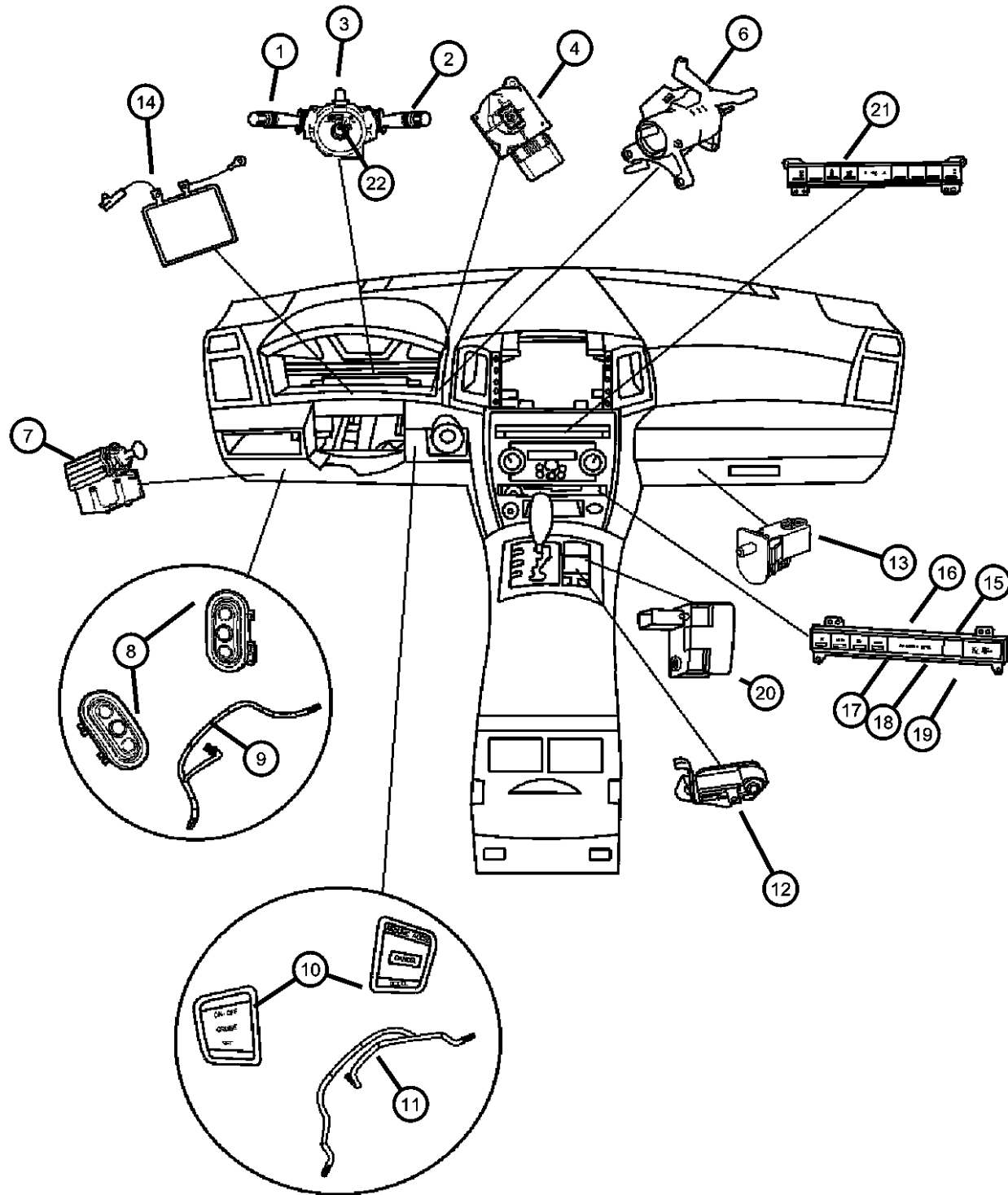
ENGINE
EKG = 3.7L V6 Engine
EVA = 4.7L V8 MPI Engine
EZB = 5.7L Hemi Multi
Displacement Engine

TRANSMISSION
DGQ = 5-Spd Automatic 5-45RFE
Transmission
DGJ = 5-Speed Automatic MB
Transmission

AR = use ase required - = Non illustrated part

2006 XK

Switches (Instrument Panel and Console)
Figure 8-810



ITEM	PART NUMBER	QTY	LINE	SERIES	BODY	ENGINE	TRANS	TRIM	DESCRIPTION
21		1	J				DGQ		SWITCH, Instrument Panel
	56050093AC	1							[LAZ,XCA] Up to 01/02/06
	56050149AC	1							[LAZ]
	68000123AA	1							[LAZ] After 01/02/06
	68000234AA	1							[LAZ,HBB] After 01/02/06
	56050772AC	1							[LAZ,XCA,HBB] Up to 01/02/06
	56050775AC	1	J, T		74				[LAZ,HBB]
22	05143321AA	1							CAM, Turn Signal Cancel

NEW JEEP (XK)

SERIES LINE
H = HIGHLINE T = JEEP - 2WD
P = PREMIUM J = JEEP - 4WD

BODY
74 = SPORT UTILITY 4-DR

ENGINE
EKG = 3.7L V6 Engine
EVA = 4.7L V8 MPI Engine
EZB = 5.7L Hemi Multi
Displacement Engine

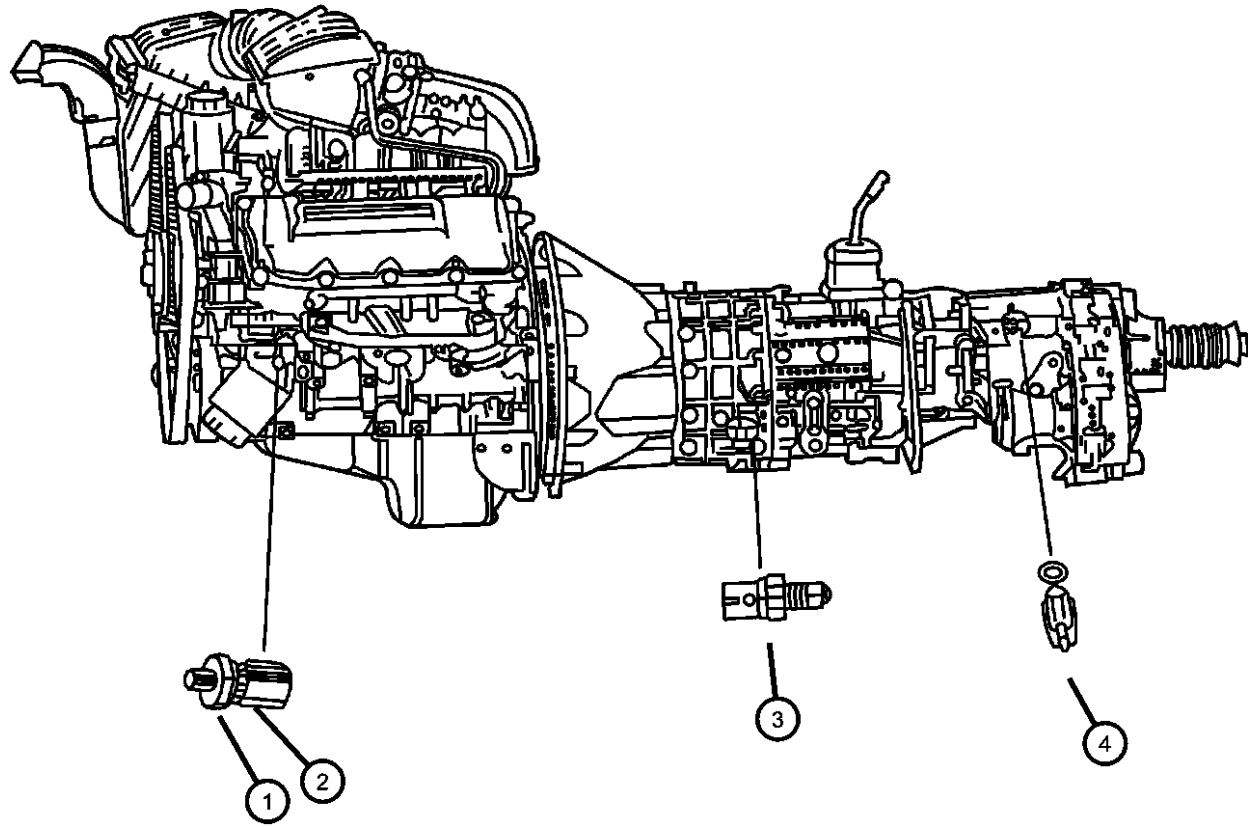
TRANSMISSION
DGQ = 5-Spd Automatic 5-45RFE
Transmission
DGJ = 5-Speed Automatic MB
Transmission

AR = use ase required - = Non illustrated part

2006 XK

Switches, (Drive Train)
Figure 8-820

ITEM	PART NUMBER	QTY	LINE	SERIES	BODY	ENGINE	TRANS	TRIM	DESCRIPTION
1	04868672AA	1				EK0, EVO			SWITCH, Oil Pressure
2	56044777AA	1				EZ0			SENDING UNIT, Oil Pressure
3	56044777AA	1							SWITCH, Neutral, Safety, Back Up, (NOT SERVICED)
4	56044777AA	1							SWITCH, Transfer Case, 5 Position, (NOT SERVICED)



NEW JEEP (XK)

SERIES LINE
H = HIGHLINE T = JEEP - 2WD
P = PREMIUM J = JEEP - 4WD

BODY
74 = SPORT UTILITY 4-DR

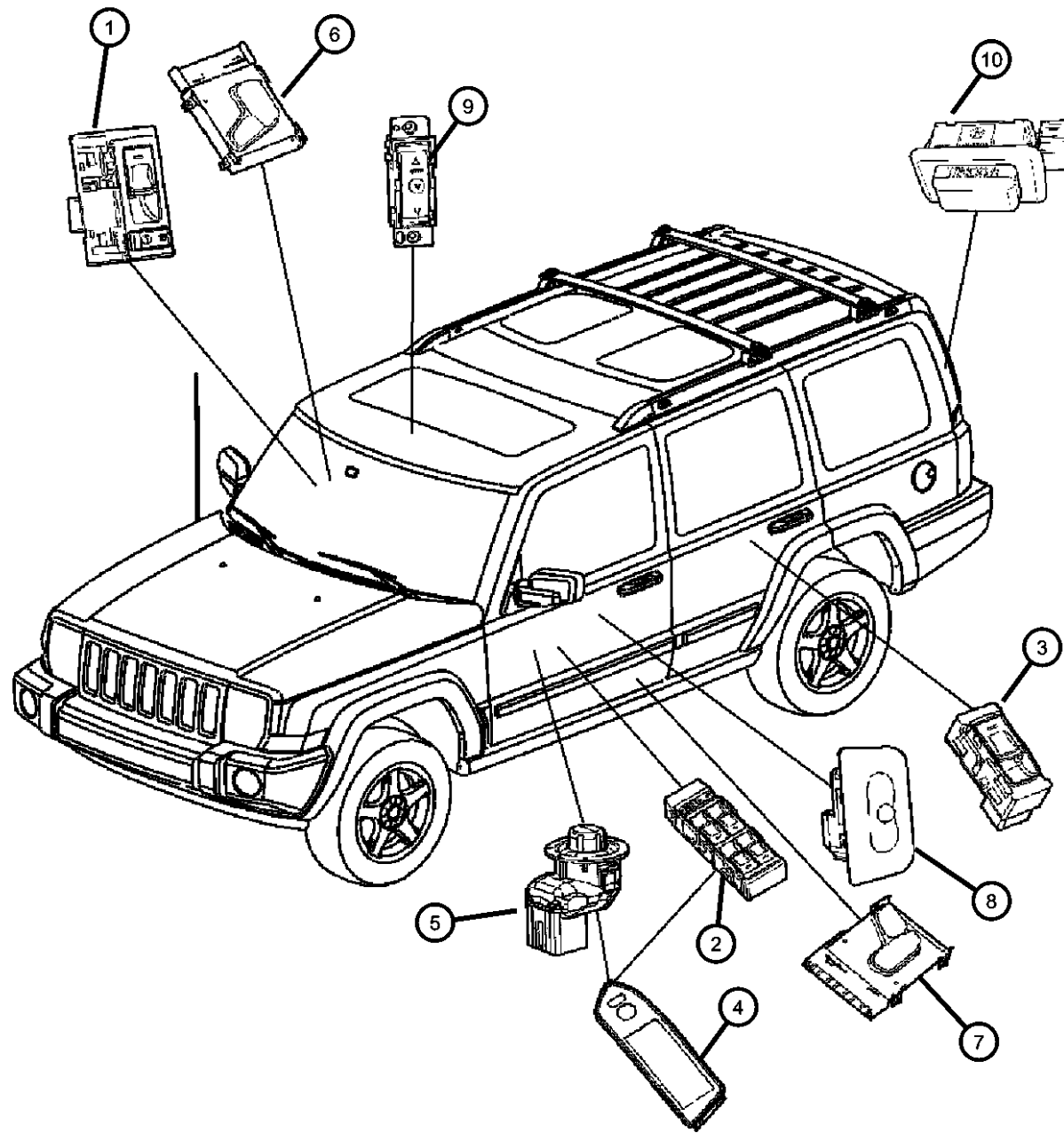
ENGINE
EKG = 3.7L V6 Engine
EVA = 4.7L V8 MPI Engine
EZB = 5.7L Hemi Multi
Displacement Engine

TRANSMISSION
DGQ = 5-Spd Automatic 5-45RFE
Transmission
DGJ = 5-Speed Automatic MB
Transmission

AR = use ase required - = Non illustrated part

2006 XK

Switches, (Body)
Figure 8-830



ITEM	PART NUMBER	QTY	LINE	SERIES	BODY	ENGINE	TRANS	TRIM	DESCRIPTION
1	04602742AA V7700005AA	1							SWITCH, Power Window, 2 gang Mopar Alternative Switch
2	04602736AA V7700002AA	1							SWITCH, Power Window, 6 gang Mopar Alternative Switch
3	04602743AA V7700006AA	2							SWITCH, Power Window, 1 gang Mopar Alternative Switch
4	04602743AA	2							BEZEL, Switch, All the door switch bezels are serviced in door trim panels, (NOT SERVICED)
5	56040524AF V7700007AA	1							SWITCH, Mirror Mopar Alternative Switch
6	56040636AB	1							SWITCH, Seat, 4 way, Right Seat
7	56049431AD	1							SWITCH, Seat 8 way low current
		1							8 way low current, Right Seat
	56049433AD	1							8 way high current
8	5JF971D1AC	1							SWITCH, Memory Selector
9	5KJ331D1AA	1							SWITCH, Sunroof
10	56042450AB	1			H P				SWITCH, Flipper Window

NEW JEEP (XK)

SERIES LINE
H = HIGHLINE T = JEEP - 2WD
P = PREMIUM J = JEEP - 4WD

BODY
74 = SPORT UTILITY 4-DR

ENGINE
EKG = 3.7L V6 Engine
EVA = 4.7L V8 MPI Engine
EZB = 5.7L Hemi Multi
Displacement Engine

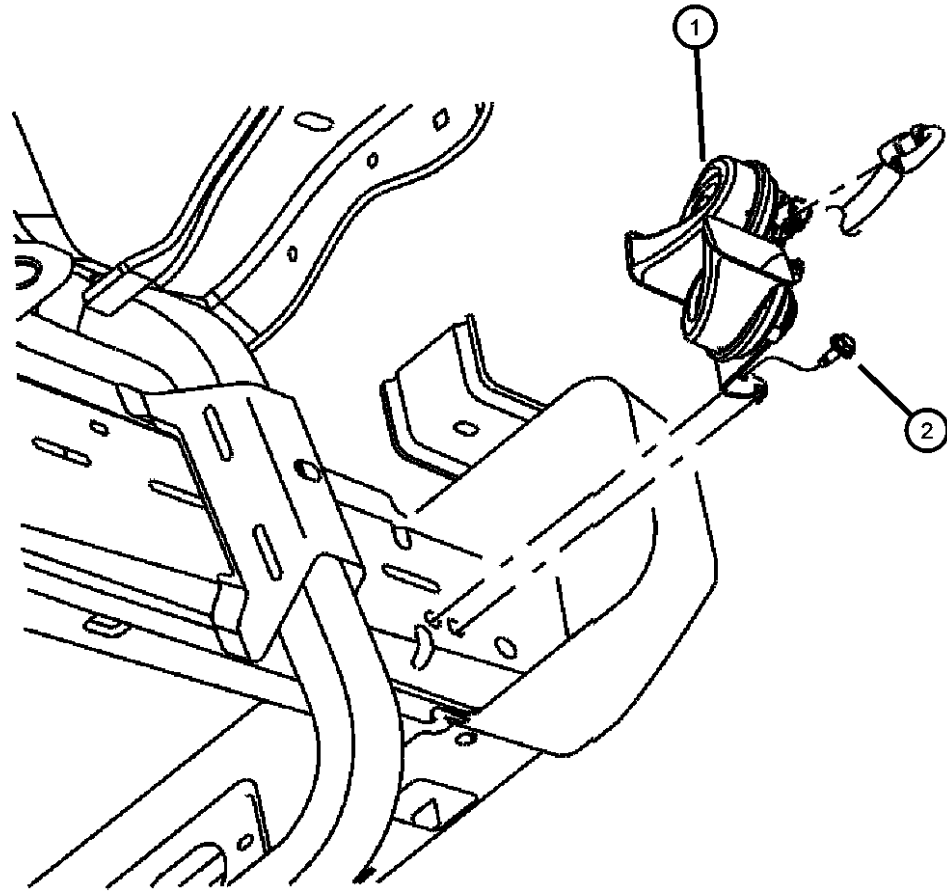
TRANSMISSION
DGQ = 5-Spd Automatic 5-45RFE
Transmission
DGJ = 5-Speed Automatic MB
Transmission

AR = use ase required - = Non illustrated part

2006 XK

Horns
Figure 8-905

ITEM	PART NUMBER	QTY	LINE	SERIES	BODY	ENGINE	TRANS	TRIM	DESCRIPTION
1	56050166AB	1							HORN AND BRACKET, Dual
2	56050166AB	1							SCREW AND WASHER, Hex Flange Head, M8x1.25x25, (NOT SERVICED)



NEW JEEP (XK)

SERIES LINE
H = HIGHLINE T = JEEP - 2WD
P = PREMIUM J = JEEP - 4WD

BODY
74 = SPORT UTILITY 4-DR

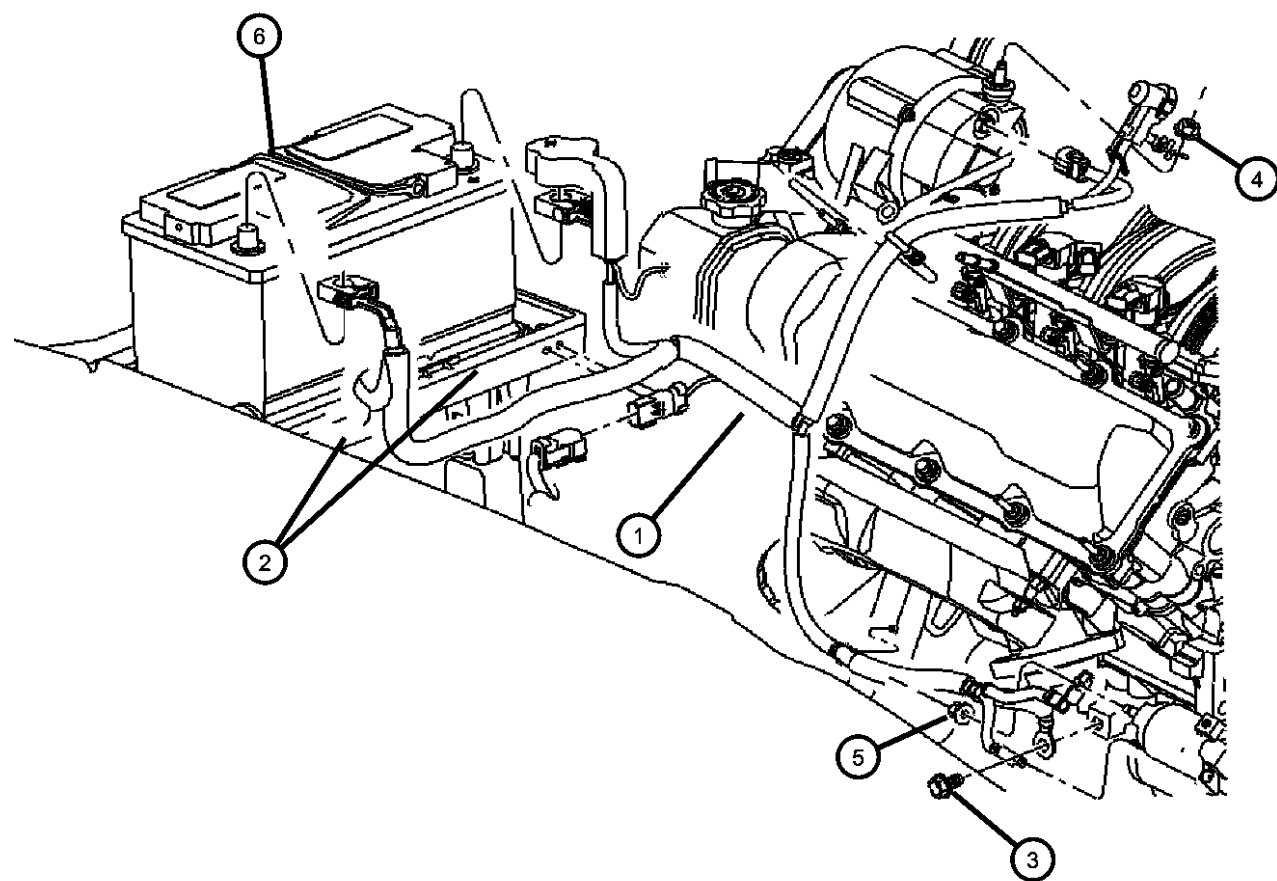
ENGINE
EKG = 3.7L V6 Engine
EVA = 4.7L V8 MPI Engine
EZB = 5.7L Hemi Multi Displacement Engine

TRANSMISSION
DGQ = 5-Spd Automatic 5-45RFE Transmission
DGJ = 5-Speed Automatic MB Transmission

AR = use ase required - = Non illustrated part

2006 XK

**Battery Tray & Wiring [3.7L and 4.7L Engines]
Figure 8-1005**



ITEM	PART NUMBER	QTY	LINE	SERIES	BODY	ENGINE	TRANS	TRIM	DESCRIPTION
1									WIRING, Alternator and Battery
	56044130AG	1	J, T		74	EK0			Up to 05/16/06
	56044130AH	1	J, T		74	EK0			After 05/16/06
	56044131AG	1	J, T		74	EVO			Up to 05/16/06
	56044131AH	1	J, T		74	EVO			After 05/16/06
2	55396408AC	1							SUPPORT, Battery
3	06101794	1				EK0, EVO			SCREW, Hex Head, M10x1.5x115
4	06506929AA	1							NUT, Hex Flange Lock, M8x1.25
5	06506929AA	1							NUT, Hex Flange Lock, M8x1.25, Alternator wiring connector
6									BATTERY
	05170018AA	1							Wet, Export
	05179563AA	1							Wet Japan, Export
	04608719AD	1							
	05080706AA	1							Dry, Export

NEW JEEP (XK)

SERIES LINE
H = HIGHLINE T = JEEP - 2WD
P = PREMIUM J = JEEP - 4WD

BODY
74 = SPORT UTILITY 4-DR

ENGINE
EKG = 3.7L V6 Engine
EVA = 4.7L V8 MPI Engine
EZB = 5.7L Hemi Multi Displacement Engine

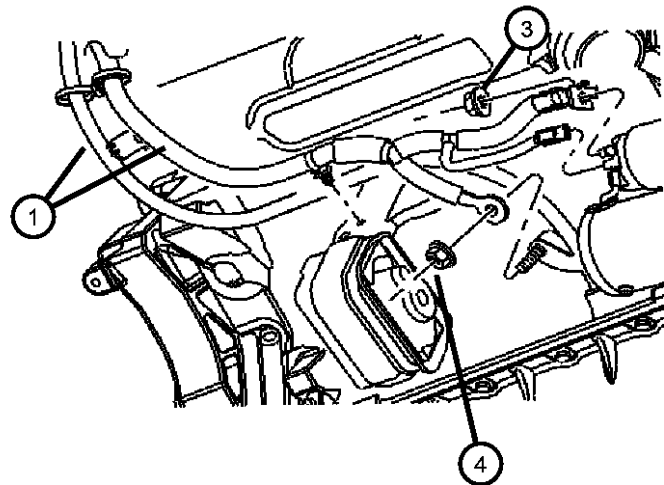
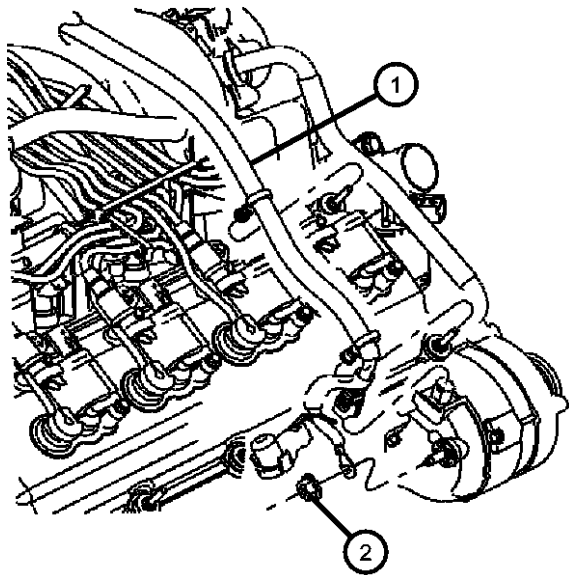
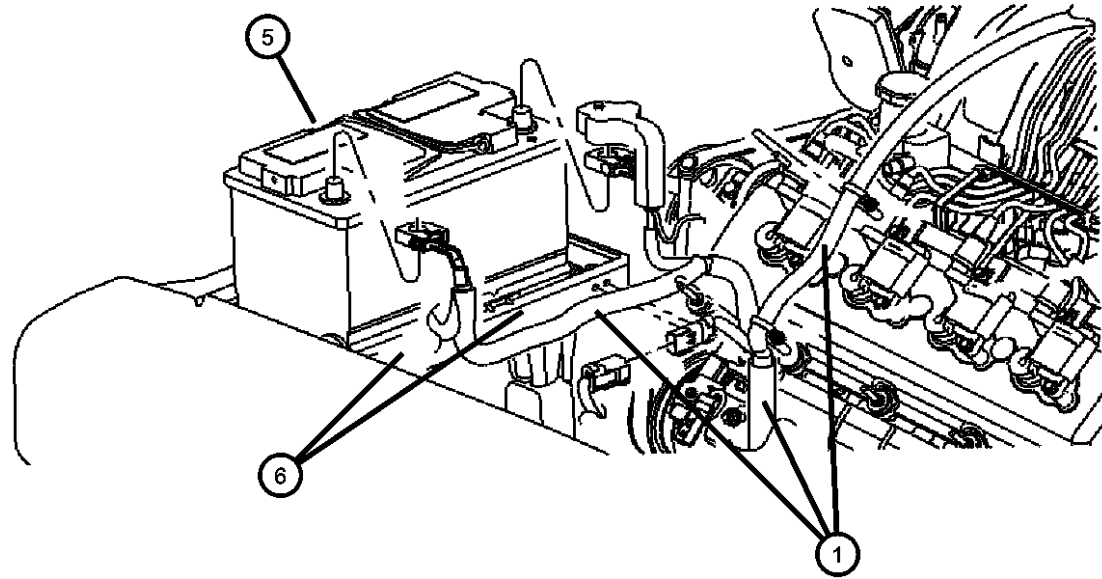
TRANSMISSION
DGQ = 5-Spd Automatic 5-45RFE Transmission
DGJ = 5-Speed Automatic MB Transmission

AR = use ase required - = Non illustrated part

2006 XK

**Battery Tray and Wiring [5.7L Engine]
Figure 8-1010**

ITEM	PART NUMBER	QTY	LINE	SERIES	BODY	ENGINE	TRANS	TRIM	DESCRIPTION
1	56044194AG	1	J, T		74	EZ0			WIRING, Alternator and Battery Up to 05/16/06
	56044194AH	1	J, T		74	EZ0			After 05/16/06
2	06506929AA	1							NUT, Hex Flange Lock, M8x1.25, B+ connector
3	06506929AA	1							NUT, Hex Flange Lock, M8x1.25
4	06101968	1				EZ0			NUT, M6x1.00, Battery harness ground
5									BATTERY
	05179563AA	1							Wet Japan
	04608719AD	1							
	05080706AA	1							Dry, Export
	05170018AA	1							Wet, Export
6	55396408AC	1							SUPPORT, Battery



NEW JEEP (XK)

SERIES LINE
H = HIGHLINE T = JEEP - 2WD
P = PREMIUM J = JEEP - 4WD

BODY
74 = SPORT UTILITY 4-DR

ENGINE
EKG = 3.7L V6 Engine
EVA = 4.7L V8 MPI Engine
EZB = 5.7L Hemi Multi
Displacement Engine

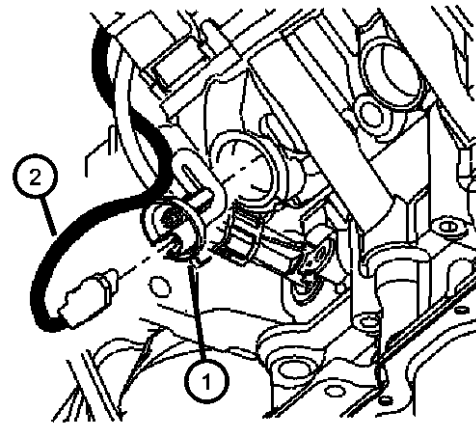
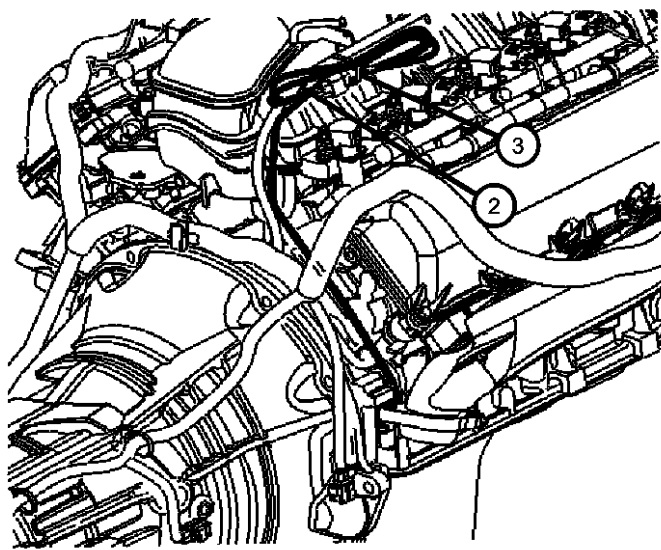
TRANSMISSION
DGQ = 5-Spd Automatic 5-45RFE
Transmission
DGJ = 5-Speed Automatic MB
Transmission

AR = use ase required - = Non illustrated part

2006 XK

**Block Heaters [3.7L and 4.7L Engines]
Figure 8-1015**

ITEM	PART NUMBER	QTY	LINE	SERIES	BODY	ENGINE	TRANS	TRIM	DESCRIPTION
1	56041304AB	1				EK0, EV0			HEATER, Engine
2	56027117	1				EK0, EV0			CORD, Engine Block Heater
3									STRAP, Tie
	05073039AA	1				EK0			
	56008876	1				EV0, EZ0			



NEW JEEP (XK)

SERIES LINE
H = HIGHLINE T = JEEP - 2WD
P = PREMIUM J = JEEP - 4WD

BODY
74 = SPORT UTILITY 4-DR

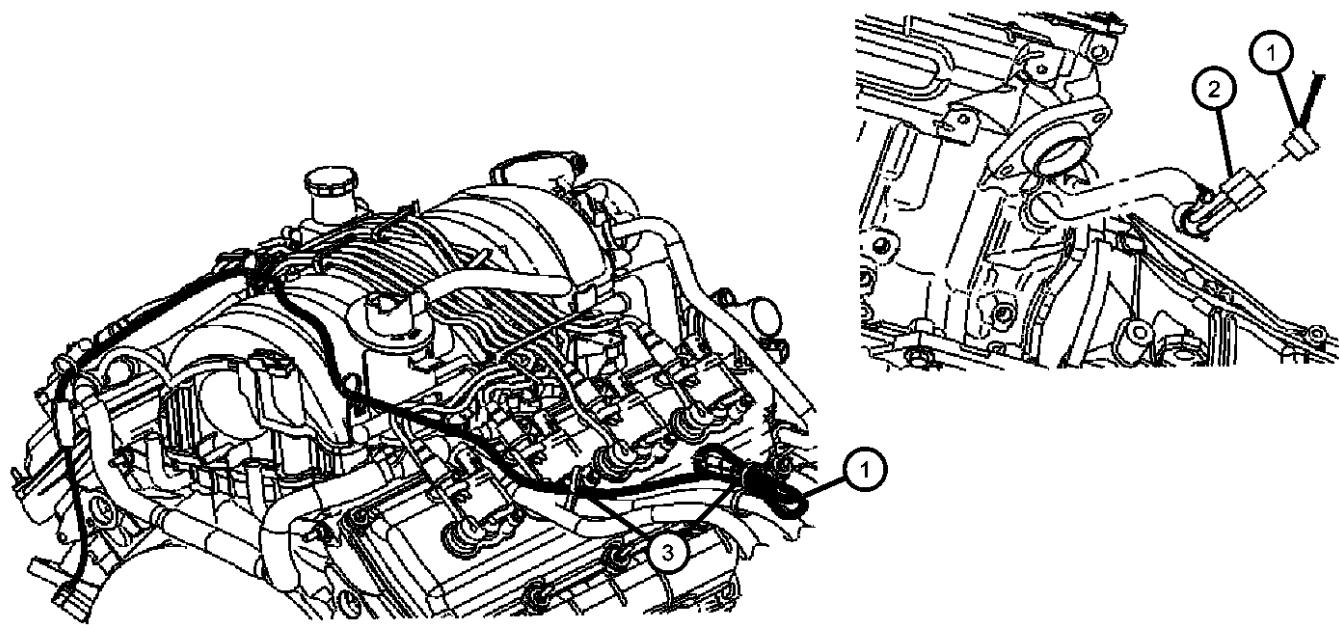
ENGINE
EKG = 3.7L V6 Engine
EVA = 4.7L V8 MPI Engine
EZB = 5.7L Hemi Multi Displacement Engine

TRANSMISSION
DGQ = 5-Spd Automatic 5-45RFE Transmission
DGJ = 5-Speed Automatic MB Transmission

AR = use ase required - = Non illustrated part

**Block Heaters [5.7L Engine]
Figure 8-1020**

ITEM	PART NUMBER	QTY	LINE	SERIES	BODY	ENGINE	TRANS	TRIM	DESCRIPTION
1	56044577AB	1				EZ0			CORD, Engine Block Heater
2	05149022AA	1				EZ0			HEATER, Engine Block
3	56008876	1				EV0, EZ0			STRAP, Tie



NEW JEEP (XK)

SERIES LINE
H = HIGHLINE T = JEEP - 2WD
P = PREMIUM J = JEEP - 4WD

BODY
74 = SPORT UTILITY 4-DR

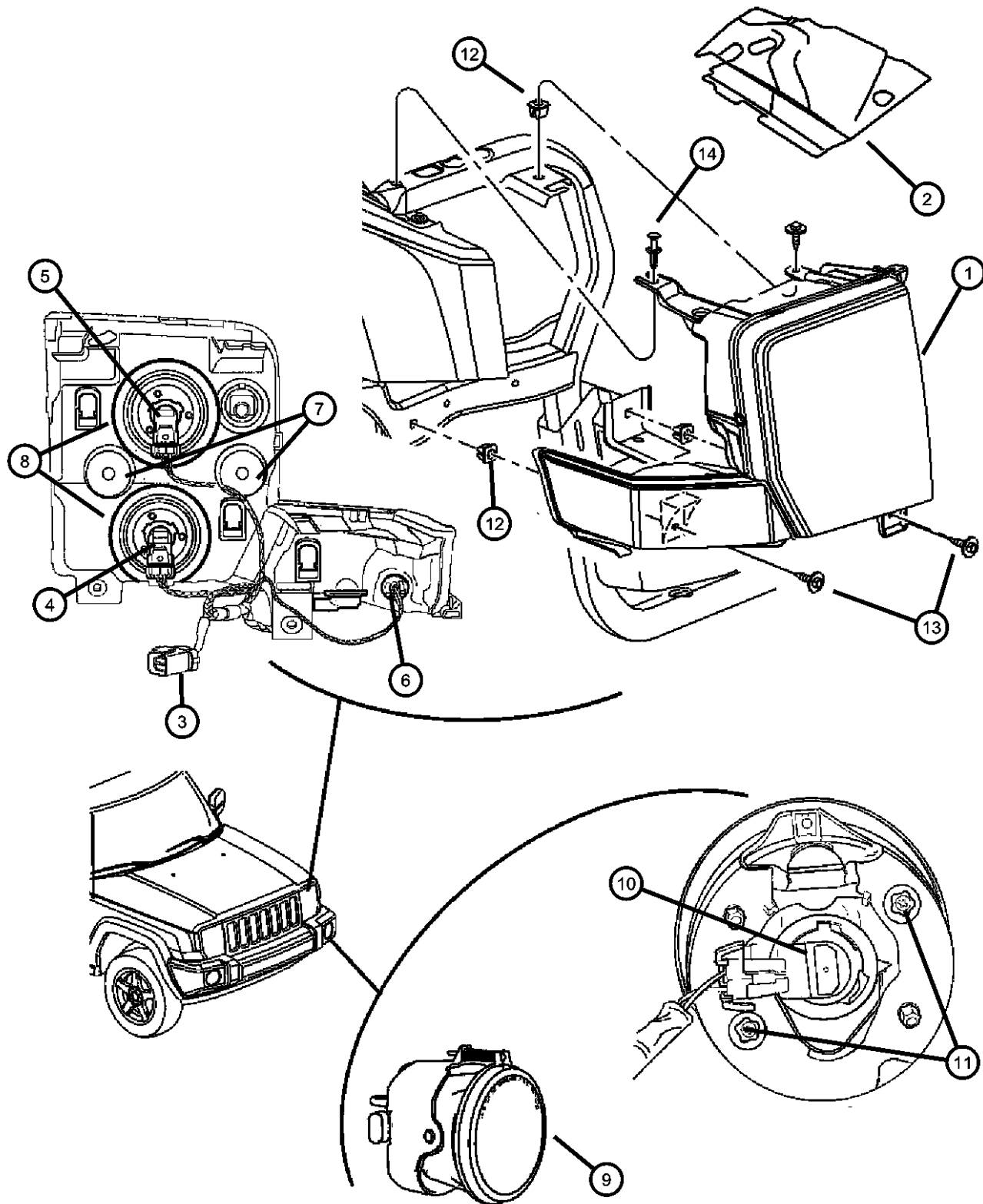
ENGINE
EKG = 3.7L V6 Engine
EVA = 4.7L V8 MPI Engine
EZB = 5.7L Hemi Multi
Displacement Engine

TRANSMISSION
DGQ = 5-Spd Automatic 5-45RFE
Transmission
DGJ = 5-Speed Automatic MB
Transmission

AR = use ase required - = Non illustrated part

2006 XK

Lamp - Front End
Figure 8-1110



ITEM	PART NUMBER	QTY	LINE	SERIES	BODY	ENGINE	TRANS	TRIM	DESCRIPTION
1	55396536AE	1							LAMP, Headlamp Park And Turn Right
	LBK11604								Light Bulb Kit (Assorted Bulbs and Fuses)
	55396537AE	1							Left
	LBK11604								Light Bulb Kit (Assorted Bulbs and Fuses)
2	05175060AA	1							COVER, Headlamp Right
	05175061AA	1							Left
3	05175068AA	1							WIRING, Headlamp
4	L0009006PV	1	J, T		74				BULB, Headlamp, Low beam
5	L0009005	1							BULB, Headlamp, High beam
6	L003157K	1							BULB, 3157K
7	05139055AA	3							VENT, Headlamp
8	05143152AA	2							BOOT, Headlamp
9	04805859AA	2							LAMP, Fog
10	L0009145	2							BULB, Fog Lamp, 50 Watt
11	06506579AA	4							SCREW, Tapping, Fog lamp to fascia
12	06508072AA	6							NUT, Headlamp to body
13	06508237AA	6							SCREW, Headlamp to body
14	04806110AA	2							PIN, Headlamp to body drive pin

NEW JEEP (XK)

SERIES LINE
H = HIGHLINE T = JEEP - 2WD
P = PREMIUM J = JEEP - 4WD

BODY
74 = SPORT UTILITY 4-DR

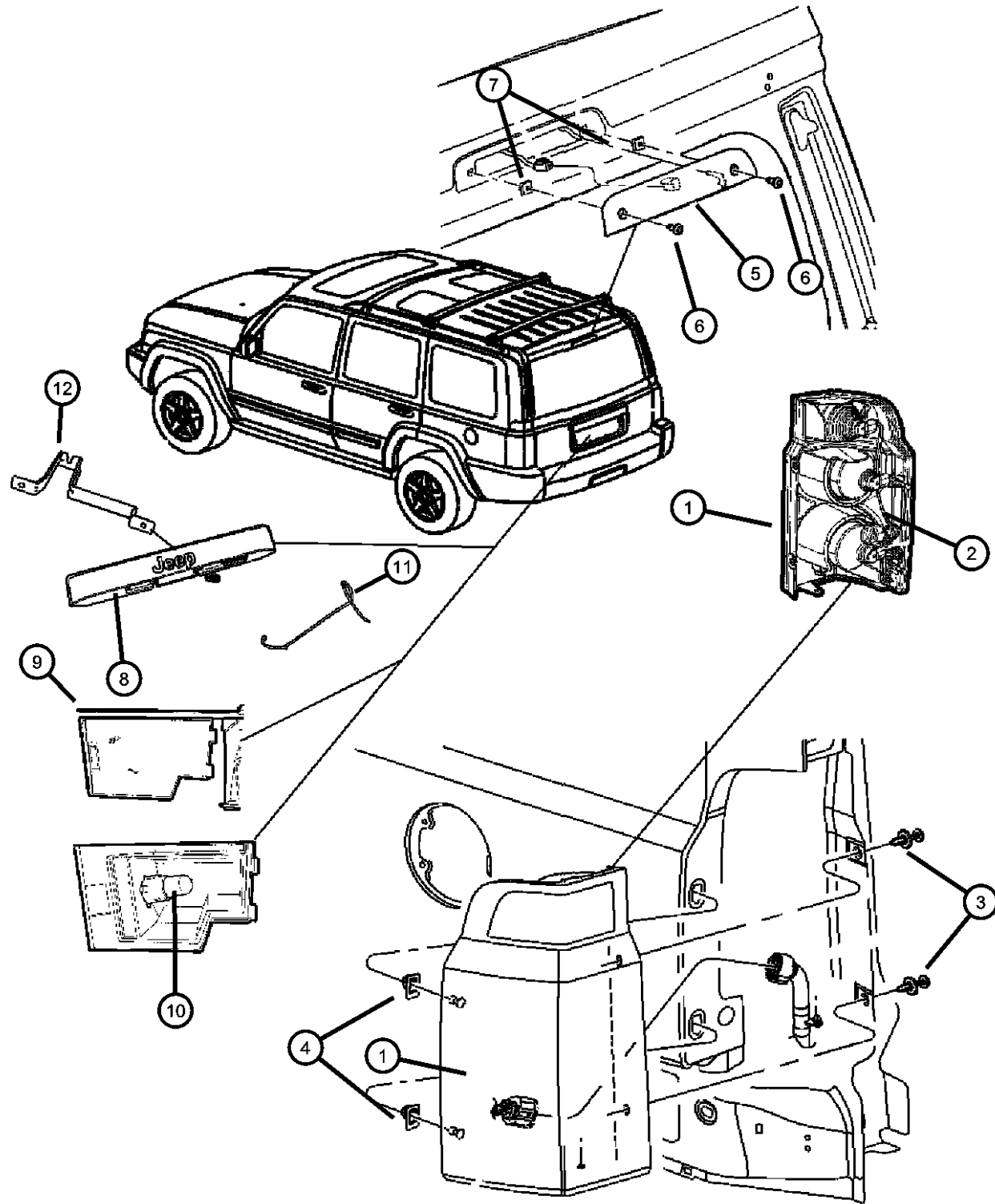
ENGINE
EKG = 3.7L V6 Engine
EVA = 4.7L V8 MPI Engine
EZB = 5.7L Hemi Multi Displacement Engine

TRANSMISSION
DGQ = 5-Spd Automatic 5-45RFE Transmission
DGJ = 5-Speed Automatic MB Transmission

AR = use ase required - = Non illustrated part

2006 XK

Lamp - Rear End
Figure 8-1120



ITEM	PART NUMBER	QTY	LINE	SERIES	BODY	ENGINE	TRANS	TRIM	DESCRIPTION
1	55396458AD	1							LAMP, Tail Stop Turn Sidemarker Right
	55396459AD	1							Left
2	05175992AA	1							WIRING, Tail Lamp
3	55157330AC	4							PIN, Push, Tail lamp mounting
4	55156879AB	4							GROMMET, Lamp
5	55396460AC	1							LAMP, Center High Mounted Stop, Uses LED
6	06104635AB	2							SCREW, CHMSL attaching
7	06035211	2							NUT, Snap In, CHMSL attaching
8									HANDLE, Liftgate
	1ED34AJCAA	1	J, T		74				[MNN][JC]
	1ED34BJTAA	1	J, T		74				[MNN][JT]
	1ED34DX8AA	1	J, T		74				[MNN][X8]
	1ED34EGJAA	1	J, T		74				[MNN][GJ]
	1ED34WS-BAA	1	J, T		74				[MNN][SB]
	1FN64AJCAA	1	J, T		74				[MNN,XAC][JC]
	1FN64BJTAA	1	J, T		74				[MNN,XAC][JT]
	1FN64DX8AA	1	J, T		74				[MNN,XAC][X8]
	1FN64EDAAA	1	J, T		74				[MNN,XAC][DA]
	1FN64EGJAA	1	T, J		74				[MNN,XAC][GJ]
	1FN64WS-BAA	1	J, T		74				[MNN,XAC][SB]
	55369028AE	1	J, T	H	74				[MNS]
	55369087AE	1	J, T	P	74				[MNP]
	68003285AA	1	J, T	H	74				[MNS,XAC]
	68003286AA	1	J, T	P	74				[MNP,XAC]
9									LENS, License Lamp
	05189327AA	1		H					Left
	05189328AA	1		P					Right
10									BULB, 168
	L0000168	1		P					
		1		H					
11									WIRING, License Lamp
	05189329AA	1		H					

NEW JEEP (XK)

SERIES LINE
H = HIGHLINE T = JEEP - 2WD
P = PREMIUM J = JEEP - 4WD

BODY
74 = SPORT UTILITY 4-DR

ENGINE
EKG = 3.7L V6 Engine
EVA = 4.7L V8 MPI Engine
EZB = 5.7L Hemi Multi
Displacement Engine

TRANSMISSION
DGQ = 5-Spd Automatic 5-45RFE
Transmission
DGJ = 5-Speed Automatic MB
Transmission

AR = use ase required - = Non illustrated part

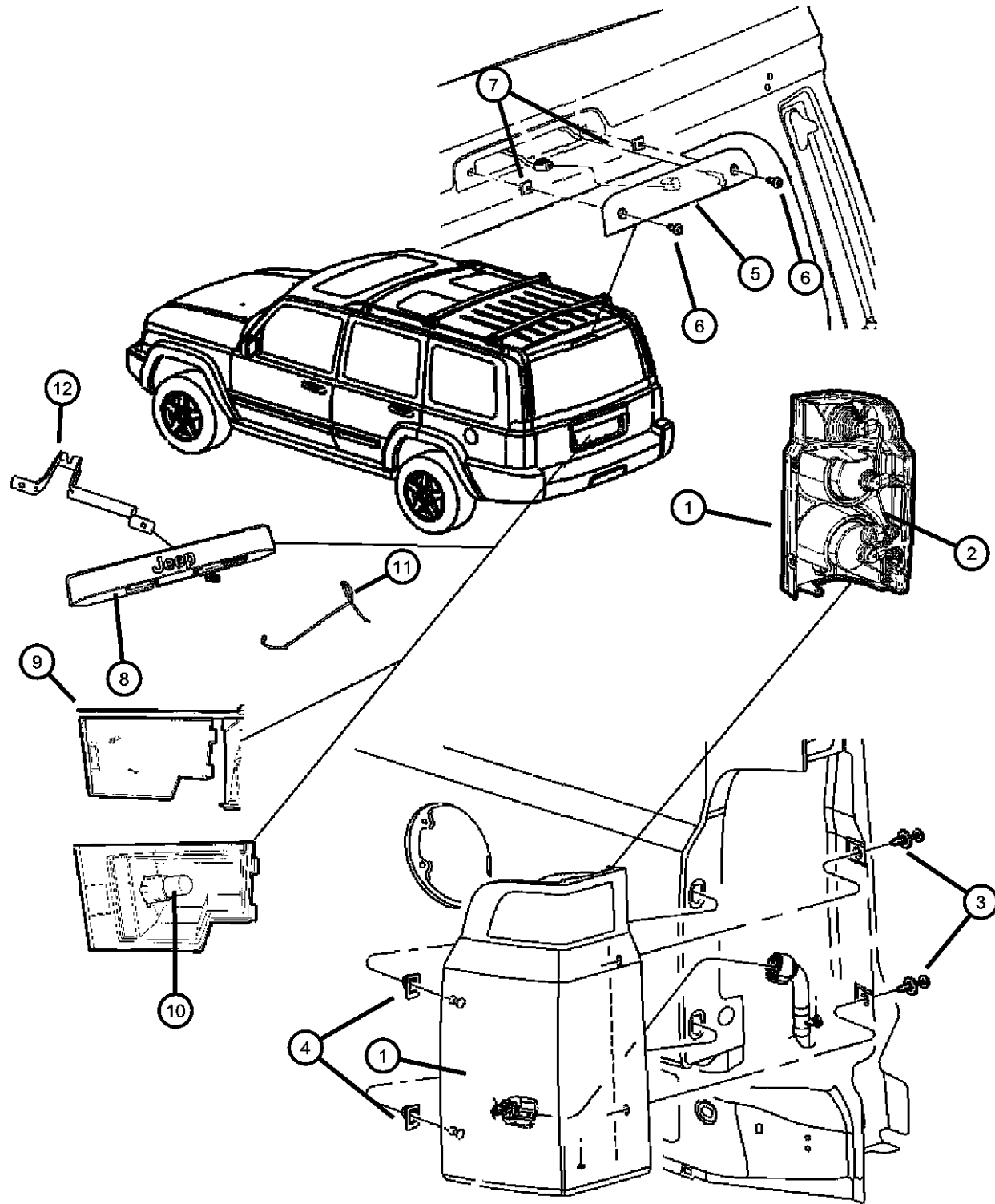
2006 XK

Lamp - Rear End
Figure 8-1120

ITEM	PART NUMBER	QTY	LINE	SERIES	BODY	ENGINE	TRANS	TRIM	DESCRIPTION
------	-------------	-----	------	--------	------	--------	-------	------	-------------

		1		P					
12	55369206AA	1							BRACKET, Liftgate, Liftgate handle support

BRACKET, Liftgate, Liftgate handle support



NEW JEEP (XK)

SERIES	LINE
H = HIGHLINE	T = JEEP - 2WD
P = PREMIUM	J = JEEP - 4WD

BODY
74 = SPORT UTILITY 4-DR

ENGINE
EKG = 3.7L V6 Engine
EVA = 4.7L V8 MPI Engine
EZB = 5.7L Hemi Multi Displacement Engine

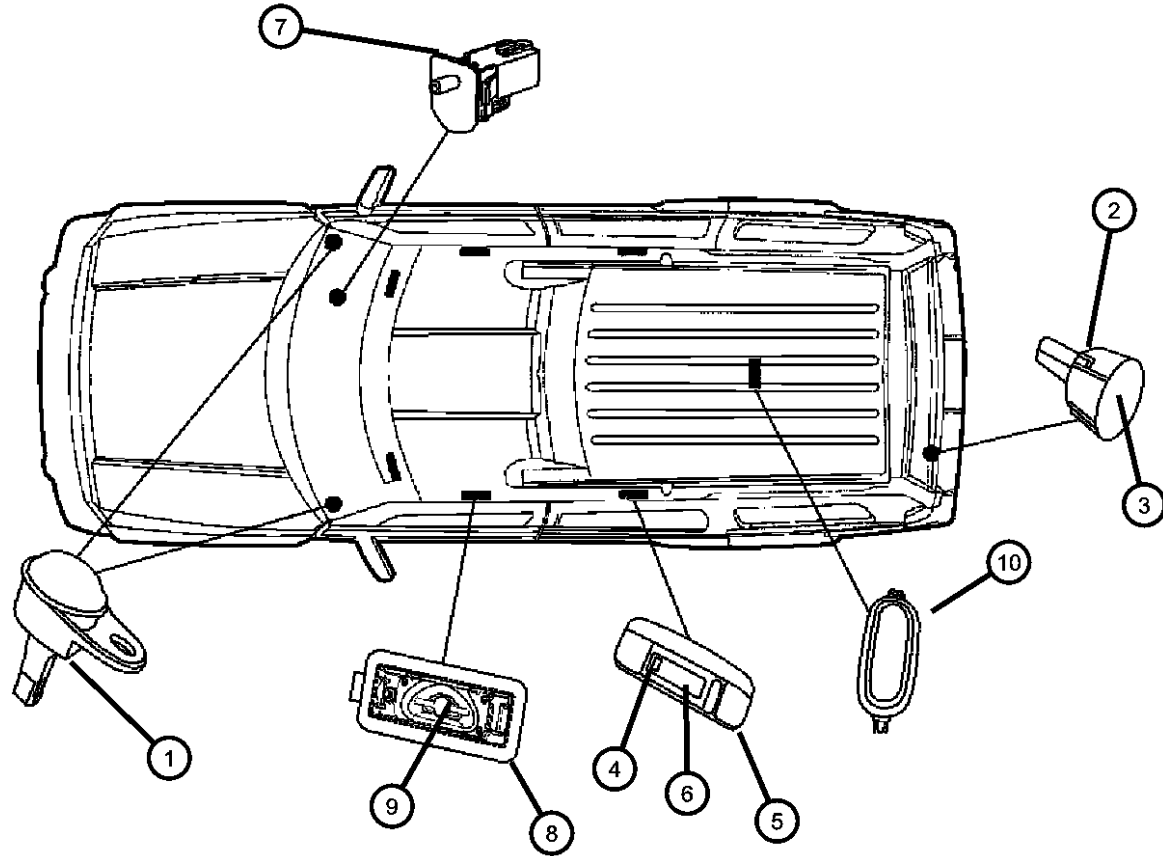
TRANSMISSION
DGQ = 5-Spd Automatic 5-45RFE Transmission
DGJ = 5-Speed Automatic MB Transmission

AR = use ase required - = Non illustrated part

2006 XK

Lamp - Courtesy - Dome - Reading
Figure 8-1130

ITEM	PART NUMBER	QTY	LINE	SERIES	BODY	ENGINE	TRANS	TRIM	DESCRIPTION
1	56042559AA	2							LAMP, Courtesy, Instrument Panel Lower
2	05023881AA	1							LAMP, Cargo, Liftgate
3	05018023AA	1							LENS, Cargo Lamp
4	05137535AA	1							SWITCH, Map Light
5									HANDLE, Roof Grab
	1AH10BD1AA	1							Right
	1AH11BD1AA	1							Left
6									LENS
	05137529AA	1							Left, Grab Handle
	05137528AA	1							Right, Grab Handle
7	04565022	1							SWITCH AND LAMP, Glove Box
8									LAMP, Courtesy
	1DD681D1AA	1							Roof rail, Right
	1DD691D1AA	1							Roof rail, Left
9	05179402AA	2							LENS, Courtesy Lamp, Roof rail
10	05179406AA	1							LAMP, Dome, Over 3rd seat



NEW JEEP (XK)

SERIES LINE
H = HIGHLINE T = JEEP - 2WD
P = PREMIUM J = JEEP - 4WD

BODY
74 = SPORT UTILITY 4-DR

ENGINE
EKG = 3.7L V6 Engine
EVA = 4.7L V8 MPI Engine
EZB = 5.7L Hemi Multi Displacement Engine

TRANSMISSION
DGQ = 5-Spd Automatic 5-45RFE Transmission
DGJ = 5-Speed Automatic MB Transmission

AR = use ase required - = Non illustrated part

2006 XK

Bulbs
Figure 8-1140

LAMPS/LIGHTING - EXTERIOR
BULB SPECIFICATIONS

LAMP	BULB
BACKUP	3157 (1)
BRAKE	3157 (1)
CENTER HIGH MOUNTED STOP	LIGHT-EMITTING DIODES SERVICED IN ASSEMBLY
FRONT FOG	9145/H10 (3)
FRONT PARK	3157K - DOMESTIC 3757A - EXPORT (2)
FRONT SIDE MARKER (DOMESTIC ONLY)	194 (4)
FRONT TURN SIGNAL	3157K - DOMESTIC 3757A - EXPORT (2)
HEADLAMP HIGH BEAM	9005 (5)
HEADLAMP LOW BEAM	9006 - DOMESTIC H11 - EXPORT (7)
LICENSE PLATE	168 - DOMESTIC (6) W5W - EXPORT (8)
POSITION (EXPORT ONLY)	194 (4)
REAR FOG (EXPORT ONLY)	P27/7W
REAR PARK	3157 (1)
REAR SIDE MARKER	3157 (1)
REAR TURN SIGNAL	3157 - DOMESTIC 3757A - EXPORT (1)
REPEATER (EXPORT ONLY)	W5W (8)

LAMPS/LIGHTING - INTERIOR

COURTESY LAMPS
BULB SPECIFICATIONS

LAMP	BULB
COURTESY	906 (9)
FRONT DOME/READING	W5W (8)
GLOVE BOX LAMP	194 (4)
LIFTGATE LAMP	(12) 579 (10)
SECOND ROW DOME/READING	W5W (8)
THIRD ROW DOME/READING	W10/5
VANITY LAMP	MOPAR 06501966 (11)

ITEM	PART NUMBER	QTY	LINE	SERIES	BODY	ENGINE	TRANS	TRIM	DESCRIPTION
1	L003057K	3							BULB, 3057K
2	L003157K	1							BULB, 3157K
3	L0009145	2							BULB, Fog Lamp, 50 Watt
4	L0000194	1							BULB, 194
5	L0009005	1							BULB, Headlamp
6									BULB, 168
	L0000168	1		P					
		1		H					
7	L0009006PV	1	J, T		74				BULB, Headlamp
8	L002825W5W	1							BULB, W10/5
9	L0000906	2							BULB, 906, Under Dash Courtesy Lamp
10	L0000579	1							BULB, 579
11	L0000579	1							BULB, Sunvisor, (NOT SERVICED)
12	09437882	1							BULB, 904, Liftgate lamp

NEW JEEP (XK)

SERIES LINE
H = HIGHLINE T = JEEP - 2WD
P = PREMIUM J = JEEP - 4WD

BODY
74 = SPORT UTILITY 4-DR

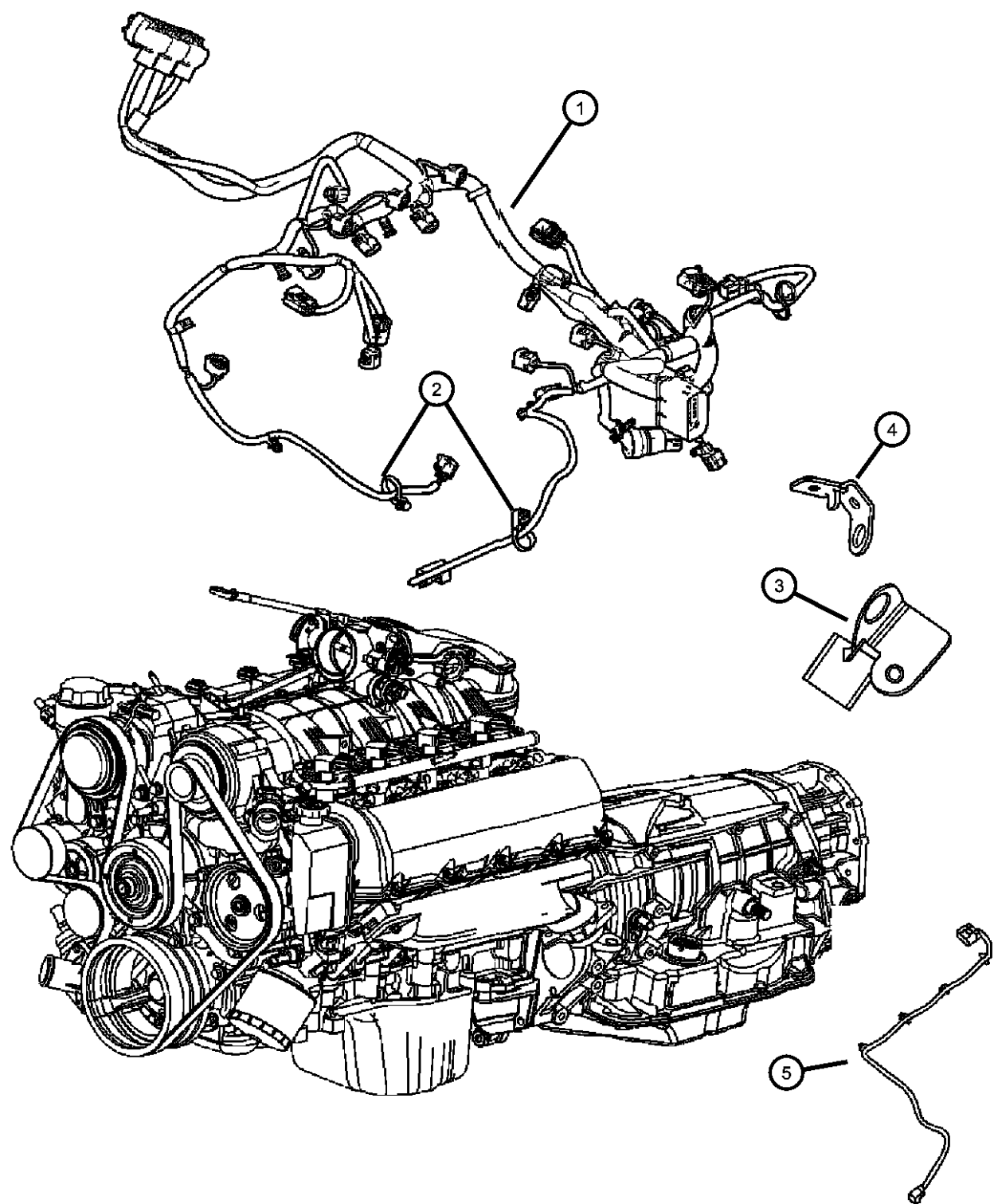
ENGINE
EKG = 3.7L V6 Engine
EVA = 4.7L V8 MPI Engine
EZB = 5.7L Hemi Multi Displacement Engine

TRANSMISSION
DGQ = 5-Spd Automatic 5-45RFE Transmission
DGJ = 5-Speed Automatic MB Transmission

AR = use ase required - = Non illustrated part

2006 XK

Wiring - Engine [3.7L and 4.7L Engine]
Figure 8-1205



ITEM	PART NUMBER	QTY	LINE	SERIES	BODY	ENGINE	TRANS	TRIM	DESCRIPTION
1	04801294AC	1				EK0			WIRING, Injector
	04801351AB	1				EVO			
2	05073039AA	1				EK0			STRAP, Tie
	56008876	1				EVO, EZ0			
3	53008550	1	T			EVO	DGQ		CLIP, Transmission Wiring
4	56041379AA	1				EK0, EVO, EZ0			CLIP, Housing, Oxygen sensor wiring
5	56050223AD	1							WIRING, Cradle

NEW JEEP (XK)

SERIES LINE
H = HIGHLINE T = JEEP - 2WD
P = PREMIUM J = JEEP - 4WD

BODY
74 = SPORT UTILITY 4-DR

ENGINE
EKG = 3.7L V6 Engine
EVA = 4.7L V8 MPI Engine
EZB = 5.7L Hemi Multi Displacement Engine

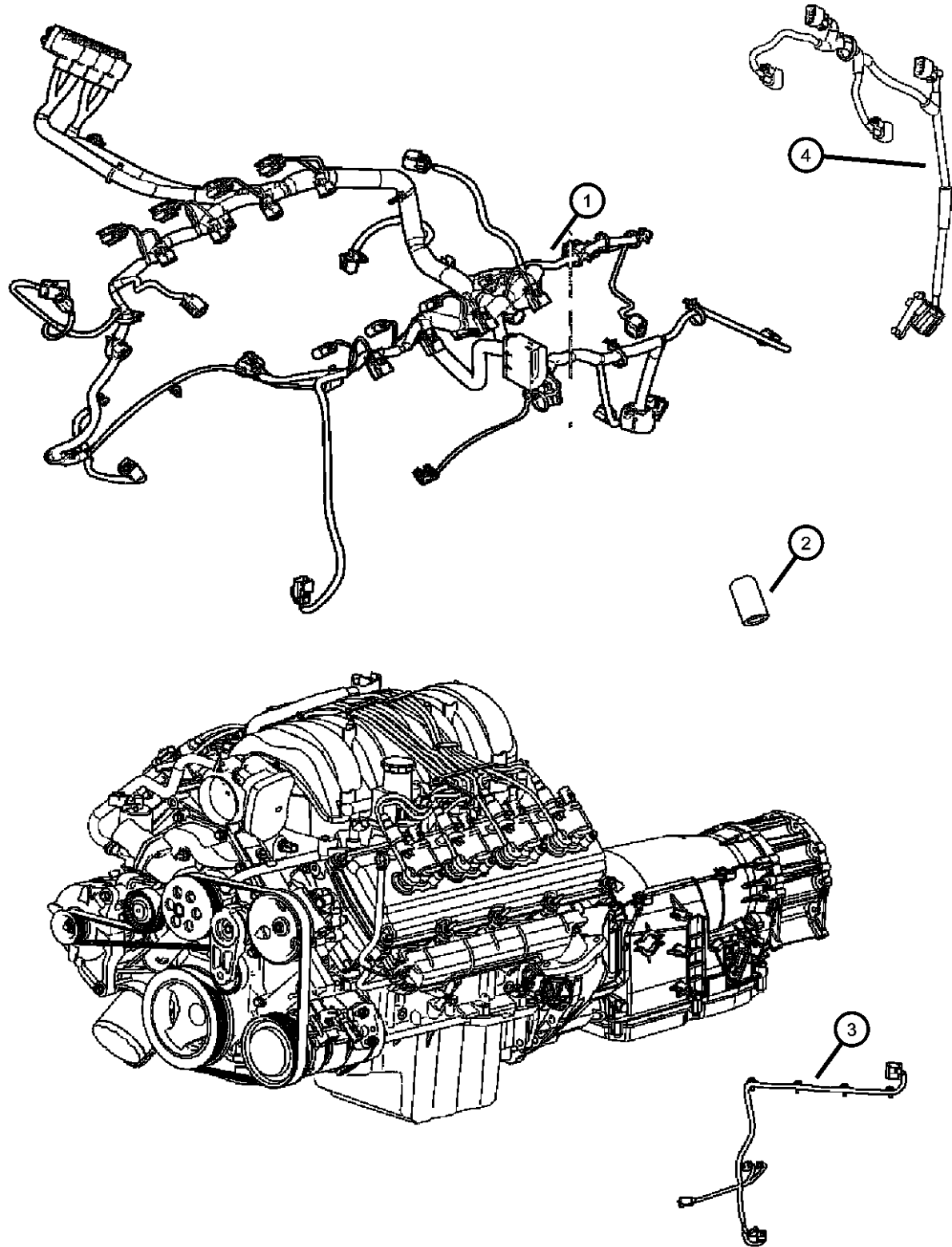
TRANSMISSION
DGQ = 5-Spd Automatic 5-45RFE Transmission
DGJ = 5-Speed Automatic MB Transmission

AR = use ase required - = Non illustrated part

2006 XK

**Wiring Engine [5.7L Engines]
Figure 8-1210**

ITEM	PART NUMBER	QTY	LINE	SERIES	BODY	ENGINE	TRANS	TRIM	DESCRIPTION
1	56050838AE	1				EZO			WIRING, Injector
2	04801330AA	4				EZO			CAP, Protective, Goes on the inner valve cover studs to protect injector harness
3	56050222AD	1				EZO			WIRING, Cradle [DSF,SNA]
	56050223AD	1							[DSF]
	56050837AB	1				EZO			[SNA]
4	56045793AC	1				EZO			WIRING, Jumper, Multiple Dispalcement Soleniod



NEW JEEP (XK)

SERIES	LINE
H = HIGHLINE	T = JEEP - 2WD
P = PREMIUM	J = JEEP - 4WD

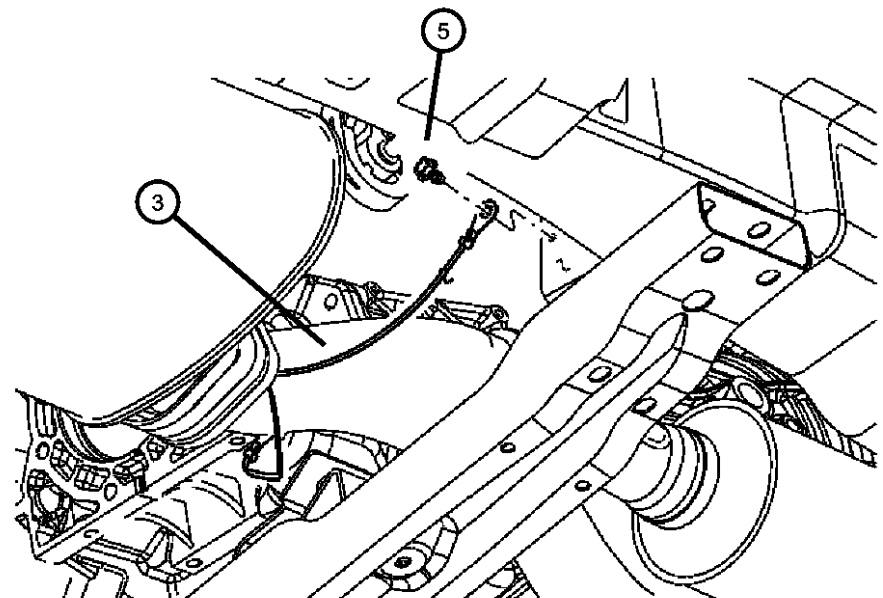
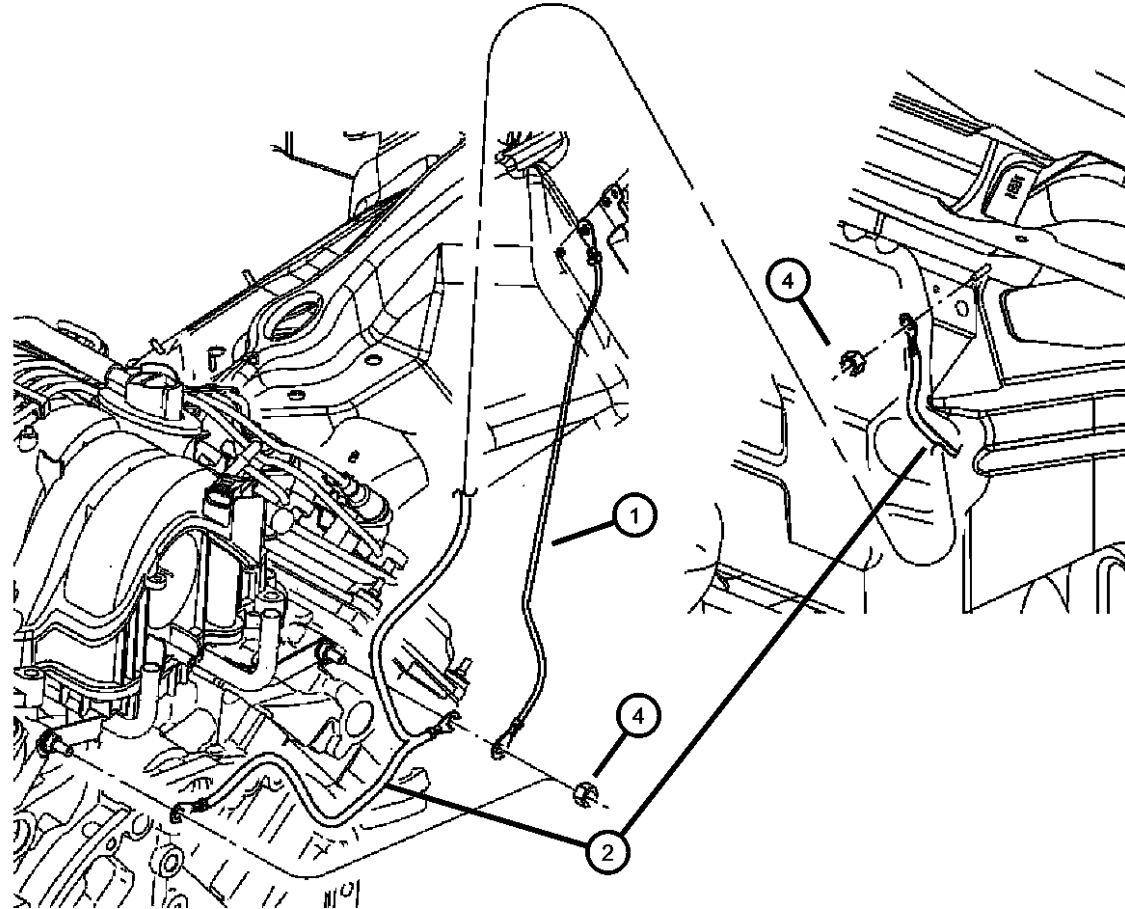
BODY
74 = SPORT UTILITY 4-DR

ENGINE
EKG = 3.7L V6 Engine
EVA = 4.7L V8 MPI Engine
EZB = 5.7L Hemi Multi Displacement Engine

TRANSMISSION
DGQ = 5-Spd Automatic 5-45RFE Transmission
DGJ = 5-Speed Automatic MB Transmission

AR = use ase required - = Non illustrated part

**Ground Straps
Figure 8-1215**



ITEM	PART NUMBER	QTY	LINE	SERIES	BODY	ENGINE	TRANS	TRIM	DESCRIPTION
1	56038680AA	1				EK0, EV0, EZ0			STRAP, Ground, Engine to plenum
2	56038682AD	1				EK0, EV0, EZ0			STRAP, Ground, NGC to engine
3	56038740AD	1	J			EK0, EV0, EZ0			STRAP, Ground, Exhaust
4	06101802	2				EZ0			NUT
5	06101802	2							SCREW, Hex Flange Head, M6x1.00,25.00, (NOT SERVICED)

NEW JEEP (XK)

SERIES LINE
H = HIGHLINE T = JEEP - 2WD
P = PREMIUM J = JEEP - 4WD

BODY
74 = SPORT UTILITY 4-DR

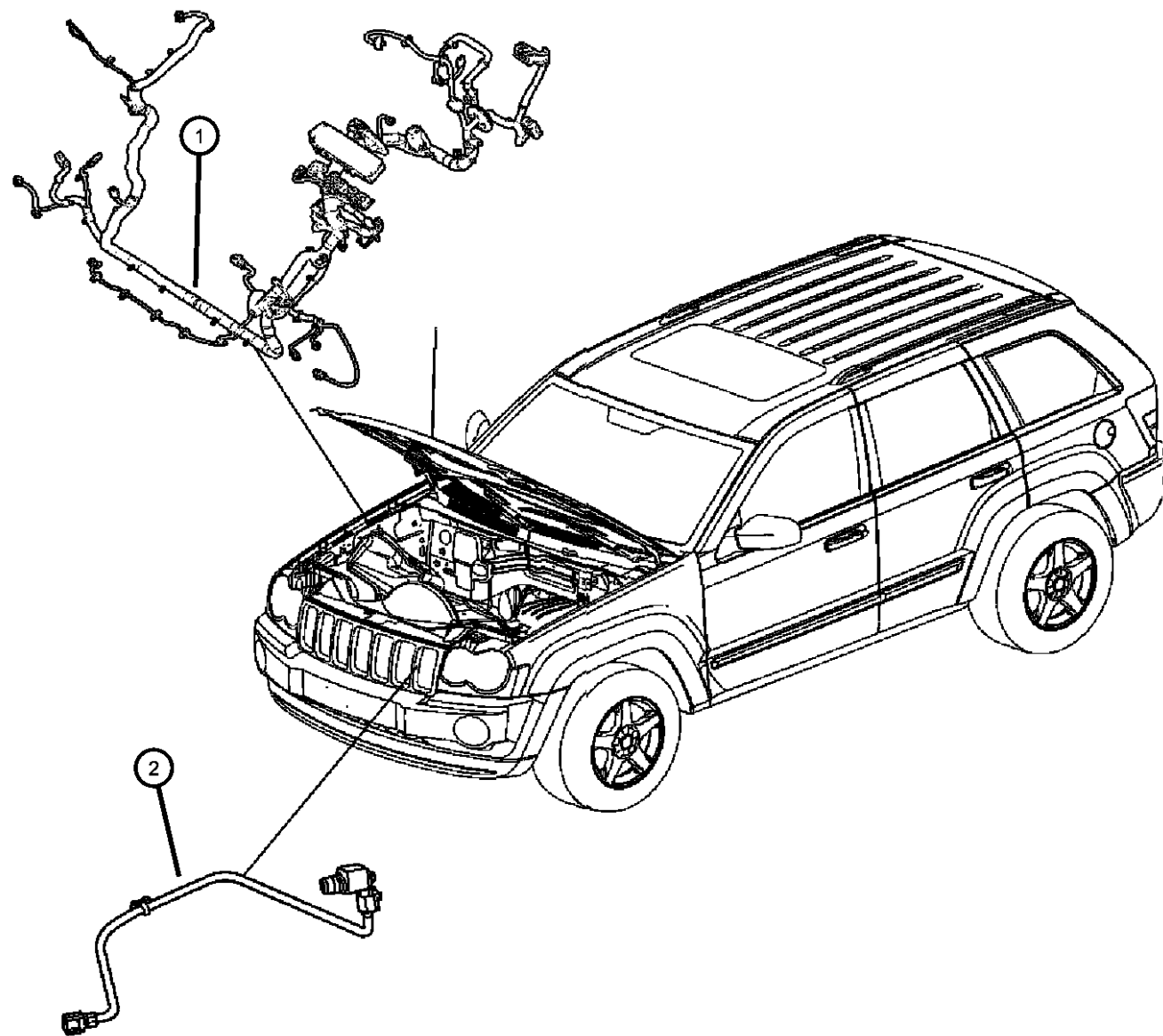
ENGINE
EKG = 3.7L V6 Engine
EVA = 4.7L V8 MPI Engine
EZB = 5.7L Hemi Multi
Displacement Engine

TRANSMISSION
DGQ = 5-Spd Automatic 5-45RFE
Transmission
DGJ = 5-Speed Automatic MB
Transmission

AR = use ase required - = Non illustrated part

2006 XK

Wiring - Headlamp / Dash
Figure 8-1305



ITEM	PART NUMBER	QTY	LINE	SERIES	BODY	ENGINE	TRANS	TRIM	DESCRIPTION
1									WIRING, Headlamp to Dash
	56050783AD	1				EVO			[XGM] After 07/29/05
	56050784AC	1				EZ0			[XGM] Up to 07/29/05
	56050784AD	1				EZ0			[XGM] After 07/29/05
	56047964AB	1	J, T		74	EK0			[LAB]
	56050736AC	1				EK0			Up to 07/29/05
	56050736AD	1	J			EK0			After 07/29/05
	56050738AC	1	J			EVO			[LAB] After 07/29/05
		1				EVO			[LAB] Up to 07/29/05
	56050783AC	1				EVO			[XGM] Up to 07/29/05
2									HARNESSES, Jumper
	05143200AA	1				EZ0	DG0		Fan module
	05143210AA	1				EK0, EVO	DG0		Fan module

NEW JEEP (XK)

SERIES LINE
H = HIGHLINE T = JEEP - 2WD
P = PREMIUM J = JEEP - 4WD

BODY
74 = SPORT UTILITY 4-DR

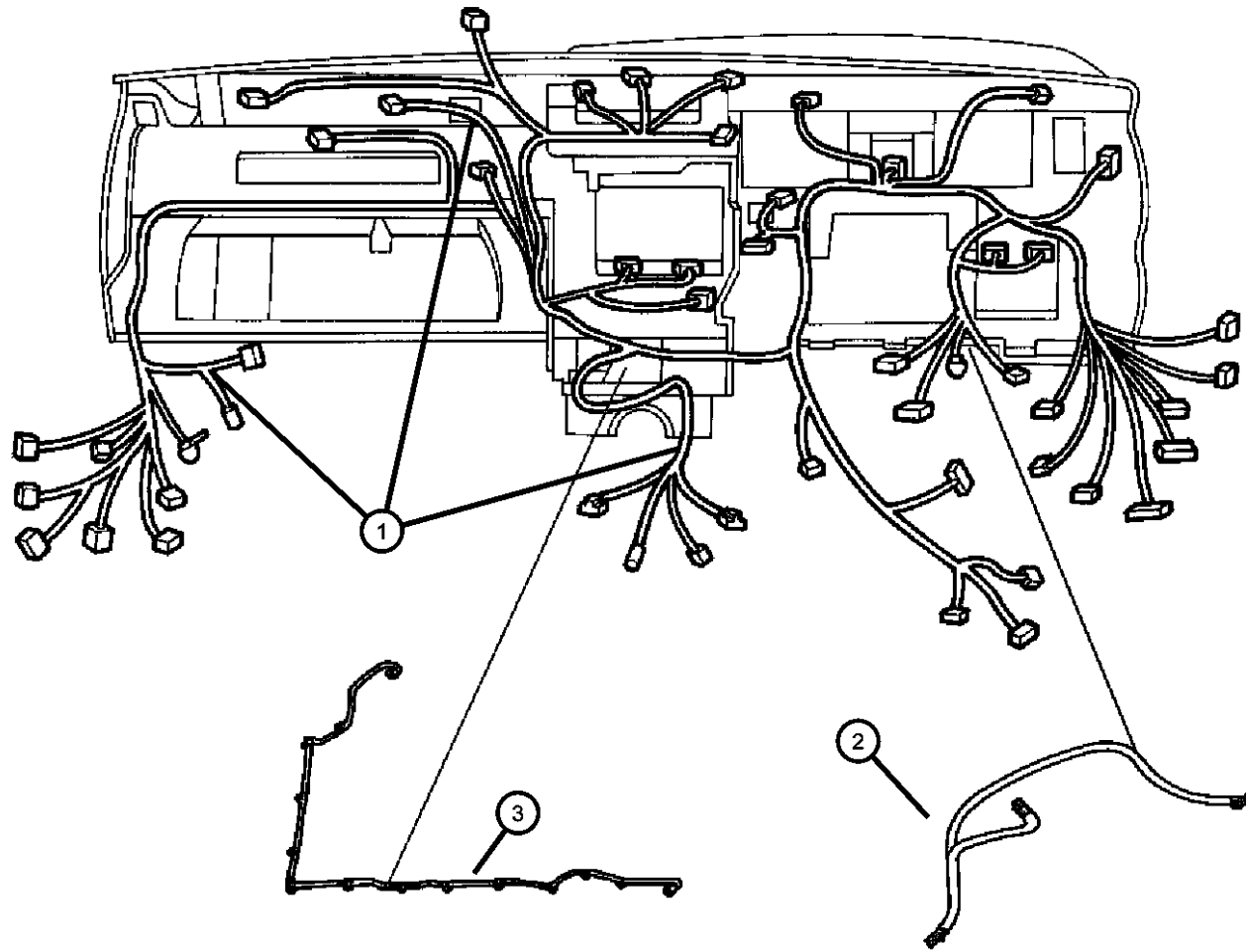
ENGINE
EKG = 3.7L V6 Engine
EVA = 4.7L V8 MPI Engine
EZB = 5.7L Hemi Multi
Displacement Engine

TRANSMISSION
DGQ = 5-Spd Automatic 5-45RFE
Transmission
DGJ = 5-Speed Automatic MB
Transmission

AR = use ase required - = Non illustrated part

2006 XK

Wiring - Instrument Panel
Figure 8-1410



ITEM	PART NUMBER	QTY	LINE	SERIES	BODY	ENGINE	TRANS	TRIM	DESCRIPTION
1									WIRING, Instrument Panel
	56047433AC	1		H		EK0, EV0			[LMG,RSA,XRV,RC6] Up to 04/03/06
	56047433AD	1	J, T	H	74	EK0, EV0			[LMG,RSA,XRV,RC6] After 04/03/06
	56047434AC	1		H		EK0, EV0			[LMG,RSA,RSP,XRV,RC6] Up to 04/03/06
	56047434AD	1	J, T	H	74	EK0, EV0			[LMG,RSA,RSP,XRV,RC6] After 04/03/06
	56047435AC	1		P		EV0, EZ0			[LMG,RSA,RSP,XRV] Up to 04/03/06
	56047435AD	1	J, T	P	74	EV0, EZ0			[LMG,RSA,RSP,XRV] After 04/03/06
	56047436AC	1		P		EV0, EZ0			[LMG] Up to 04/03/06
	56047436AD	1	J, T	P	74	EV0, EZ0			[LMG] After 04/03/06
	56047437AC	1		P		EV0, EZ0			[LMG,RSA,RSP] Up to 04/03/06
	56047437AD	1	J, T	P	74	EV0, EZ0			[LMG,RSA,RSP] After 04/03/06
	56047438AC	1		P		EV0, EZ0			[LMG,RSA] Up to 04/03/06
	56047438AD	1	J, T	P	74	EV0, EZ0			[LMG,RSA] After 04/03/06
	56047439AC	1		P		EV0, EZ0			[XRV,LMG] Up to 04/03/06
	56047439AD	1	J, T	P	74	EV0, EZ0			[XRV,LMG] After 04/03/06
	56047440AC	1		H		EK0, EV0			[XRV,RC6,LMG] Up to 04/03/06
	56047440AD	1	J, T	H	74	EK0, EV0			[XRV,RC6,LMG] After 04/03/06
	56047441AC	1		H		EK0, EV0			[LMG,RSA,RC6] Up to 04/03/06
	56047441AD	1	J, T	H	74	EK0, EV0			[LMG,RSA,RC6] After 04/03/06
	56047442AC	1		H		EK0, EV0			[LMG,RSA,RC6,RSP] Up to 04/03/06
	56047442AD	1	J, T	H	74	EK0, EV0			[LMG,RSA,RC6,RSP] After 04/03/06
	56047443AC	1		H		EK0, EV0			[RCG] Up to 04/03/06
	56047443AD	1	J, T	H	74	EK0, EV0			[RCG] After 04/03/06
	56047444AC	1		H		EK0, EV0			[LMG,RSP,XRV,RC6] Up to 04/03/06
	56047444AD	1	J, T	H	74	EK0, EV0			[LMG,RSP,XRV,RC6] After 04/03/06
	56047445AC	1		H		EK0, EV0			[RC6,LMG] Up to 04/03/06
	56047445AD	1	J, T	H	74	EK0, EV0			[RC6,LMG] After 04/03/06
	56047446AC	1		H		EK0, EV0			[RC6,RSP,LMG] Up to 04/03/06
	56047446AD	1	J, T	H	74	EK0, EV0			[RC6,RSP,LMG] After 04/03/06
	56047447AC	1		P		EV0, EZ0			[RSP,LMG] Up to 04/03/06
	56047447AD	1	J, T	P	74	EV0, EZ0			[RSP,LMG] After 04/03/06

NEW JEEP (XK)

SERIES LINE
H = HIGHLINE T = JEEP - 2WD
P = PREMIUM J = JEEP - 4WD

BODY
74 = SPORT UTILITY 4-DR

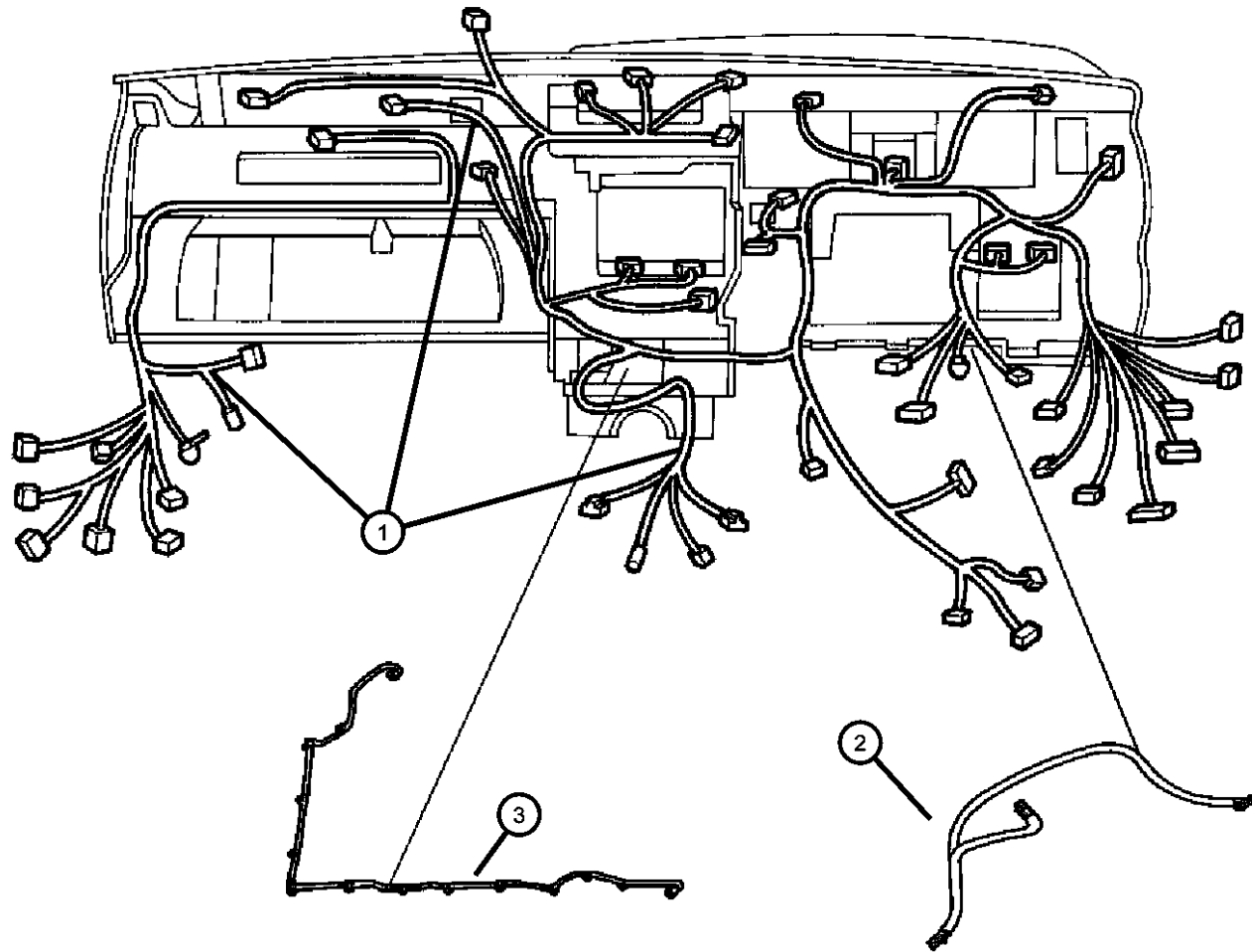
ENGINE
EKG = 3.7L V6 Engine
EVA = 4.7L V8 MPI Engine
EZB = 5.7L Hemi Multi Displacement Engine

TRANSMISSION
DGQ = 5-Spd Automatic 5-45RFE Transmission
DGJ = 5-Speed Automatic MB Transmission

AR = use ase required - = Non illustrated part

2006 XK

Wiring - Instrument Panel
Figure 8-1410



ITEM	PART NUMBER	QTY	LINE	SERIES	BODY	ENGINE	TRANS	TRIM	DESCRIPTION
	56047448AC	1		P		EV0, EZ0			[RSP,LMG,XRV] Up to 04/03/06
	56047448AD	1	J, T	P	74	EV0, EZ0			[RSP,LMG,XRV] After 04/03/06
	56047449AC	1		P		EV0, EZ0			[RSA,LMG,XRV] Up to 04/03/06
	56047449AD	1	J, T	P	74	EV0, EZ0			[RSA,LMG,XRV] After 04/03/06
	56048103AA	1	J, T	H	74	EK0, EV0			[RSP,XAC,RC6]
	56048104AA	1	J, T	H	74	EK0, EV0			[RSP,XAC,XRV,RC6]
	56048105AA	1	J, T	H	74	EK0, EV0			[XAC,RC6]
	56048106AA	1	J, T	H	74	EK0, EV0			[XAC,XRV,RC6]
	56048107AA	1	J, T	H	74	EK0, EV0			[XAC,RSA,RC6]
	56048108AA	1	J, T	H	74	EK0, EV0			[XAC,RSA,XRV,RC6]
	56048109AA	1	J, T	H	74	EK0, EV0			[XAC,RSA,RSP,RC6]
	56048110AA	1	J, T	H	74	EK0, EV0			[XAC,RSA,RSP,XRV,RC6]
	56048111AA	1	J, T	P, S	74	EV0, EZ0			[XAC,RSP,XRV]
	56048112AA	1	J, T	P, S	74	EV0, EZ0			[XAC,RSP]
	56048113AA	1	J, T	P, S	74	EV0, EZ0			[XAC,XRV]
	56048114AA	1	J, T	P, S	74	EV0, EZ0			[XAC]
	56048115AA	1	J, T	P, S	74	EV0, EZ0			[XAC,RSA]
	56048116AA	1	J, T	P, S	74	EV0, EZ0			[XAC,XRV,RSA]
	56048117AA	1	J, T	P, S	74	EV0, EZ0			[XAC,RSP,RSA]
	56048118AA	1	J, T	P, S	74	EV0, EZ0			[XAC,RSP,RSA,XRV]
	56048644AA	1		H		EK0, EV0			[RCG,XAP,JPM]
		1	J, T	H	74	EK0, EV0			[RCG,XAP] Up to 04/03/06
	56048644AB	1	J, T	H	74	EK0, EV0			[RCG,XAP] After 04/03/06
2	52029319AA	1							WIRING, Steering Wheel
3	56050611AB	1							WIRING, Hands Free Communication

NEW JEEP (XK)

SERIES LINE
H = HIGHLINE T = JEEP - 2WD
P = PREMIUM J = JEEP - 4WD

BODY
74 = SPORT UTILITY 4-DR

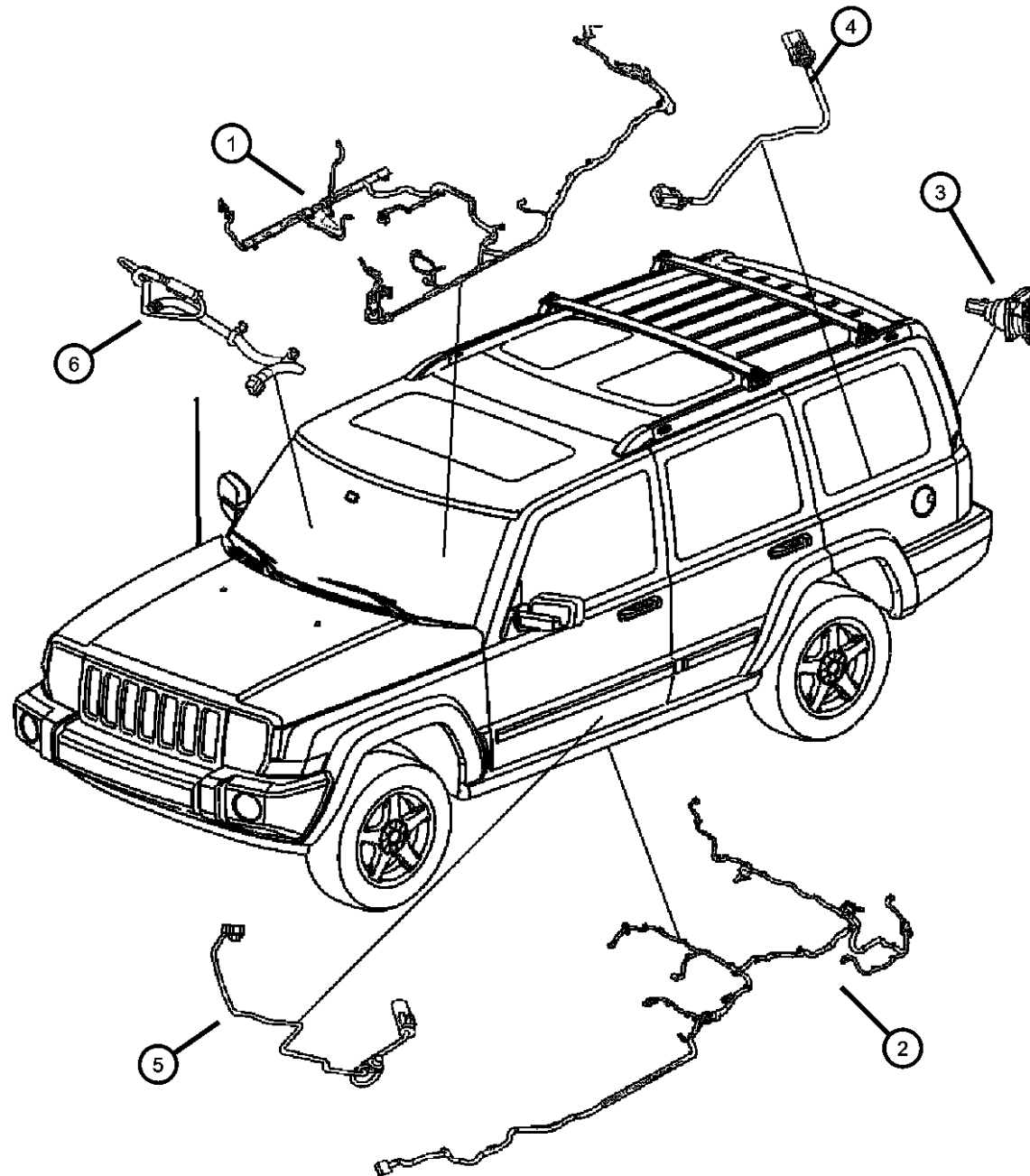
ENGINE
EKG = 3.7L V6 Engine
EVA = 4.7L V8 MPI Engine
EZB = 5.7L Hemi Multi Displacement Engine

TRANSMISSION
DGQ = 5-Spd Automatic 5-45RFE Transmission
DGJ = 5-Speed Automatic MB Transmission

AR = use ase required - = Non illustrated part

2006 XK

Wring Body
Figure 8-1505



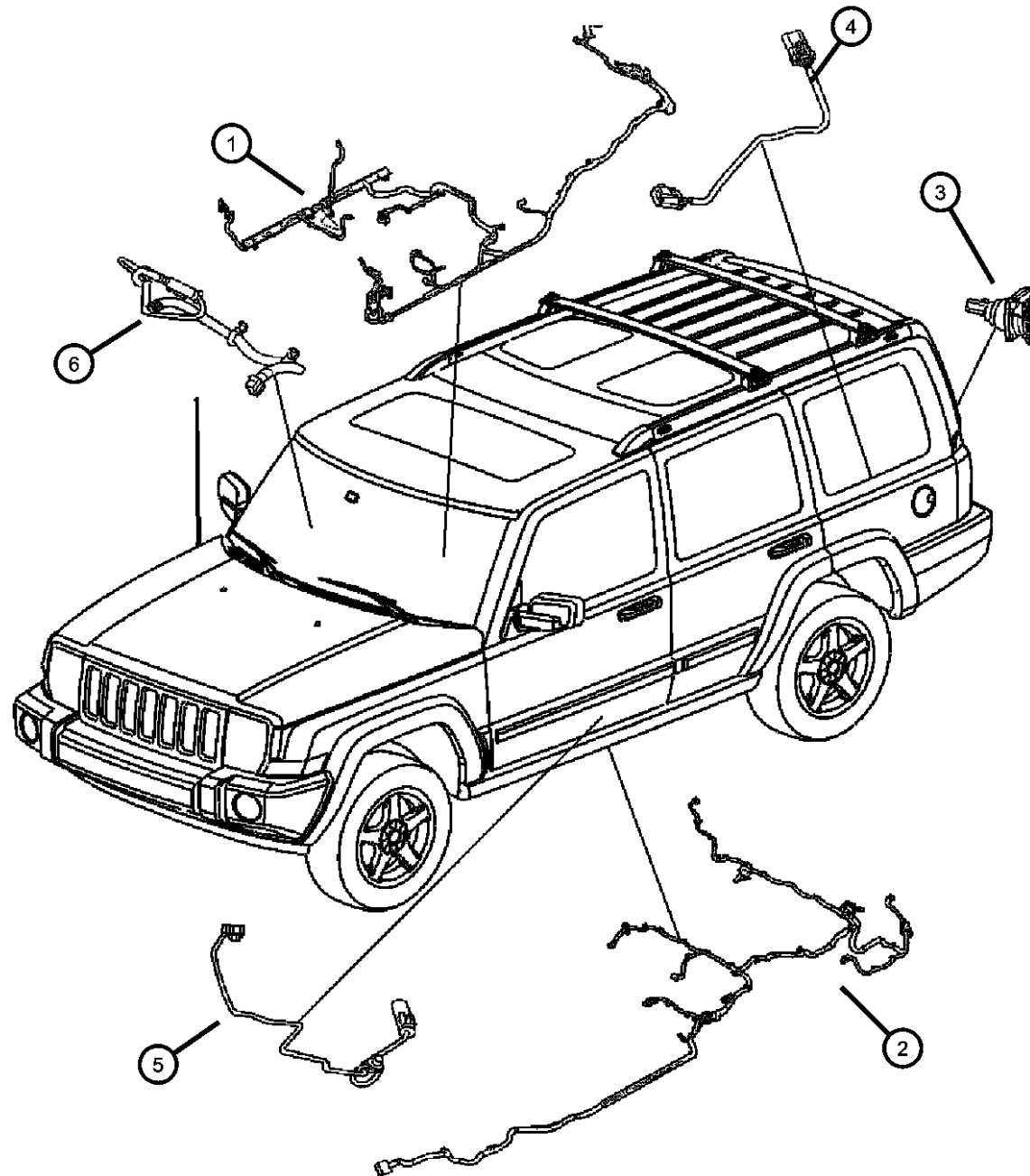
ITEM	PART NUMBER	QTY	LINE	SERIES	BODY	ENGINE	TRANS	TRIM	DESCRIPTION
1									WIRING, Body
	56047406AC	1		H					[JPR,RC6]
	56047408AC	1		H					[JPR,RC6,XRV]
	56047410AC	1		H					[JPR,RC6,RSA]
	56047412AC	1		H					[JPR,RC6,RSA,XRV]
	56050490AE	1		H					[JTB,RC6]
	56050492AE	1		P					[JPK,RC6,RSA]
	56048610AA	1	J, T	H	74				[XAP,XA8,RC6,XAC,JTB,JPM]
	56048611AA	1	J, T	H	74				[XAP,XA8,RC6,XRV,XAC,JTB,JPM]
	56048612AA	1	J, T	H	74				[XAP,XA8,RC6,RSA,XAC,JTB,JPM]
	56048613AA	1	J, T	H	74				[XAP,XA8,RC6,RSA,XRV,XAC,JTB,
	56050454AE	1		H					[JPR,RCG]
	56050459AD	1		P					[JPK,RC6]
	56050492AF	1	J, T	P	74				[RC6,RSA]
	56050496AE	1		P					[JPK,RC6,RSA,XRV]
	56050496AF	1	J, T	P	74				[JPK,RC6,XRV,RSA]
	56050617AD	1		P					[JPK,RC6,XRV]
	56050617AE	1	J, T	P	74				[JPK,RC6,XRV]
	56050633AE	1		H					[JTB,RC6,XRV]
	56050633AF	1	J, T	H	74				[JTB,RC6,XRV]
	56050636AE	1		H					[JTB,RC6,RSA]
	56050636AF	1	J, T	H	74				[RC6,JTB,RSA]
		1	J, T	H	74				[XAP,XA8,RC6,JTB,RSA]
	56050638AE	1		H					[JTB,RC6,RSA,XRV]
	56050638AF	1	J, T	H	74				[JTB,RC6,RSA,XRV]
		1	J, T	H	74				[JTB,RC6,RSA,XRV,XAP]
		1	J, T	H	74				[JTB,RC6,RSA,XRV,XAP,XA8]
		1	J, T	H	74				[RC6,JTB,XAP,RSA]
	56050883AA	1	J, T	P	74				[RC6,XRV,XAC]
	56050884AA	1		H					[JPR,RCG,XAP,JPM]
	56050884AB	1	J, T	H	74				[JPR,RCG,XAP,JPM]
		1	J, T	H	74				[XAp,XA8,RCG]
	56050880AA	1	J, T	P	74				[RC6,RSA,XAC]
	56050881AA	1	J, T	P	74				[RC6,XRV,RSA,XAC]
	56050882AA	1	J, T	P	74				[RC6,XAC]

NEW JEEP (XK)

SERIES	LINE	BODY	ENGINE	TRANSMISSION
H = HIGHLINE	T = JEEP - 2WD	74 = SPORT UTILITY 4-DR	EKG = 3.7L V6 Engine	DGQ = 5-Spd Automatic 5-45RFE
P = PREMIUM	J = JEEP - 4WD		EVA = 4.7L V8 MPI Engine	Transmission
			EZB = 5.7L Hemi Multi Displacement Engine	DGJ = 5-Speed Automatic MB Transmission

AR = use ase required - = Non illustrated part

Wring Body
Figure 8-1505



ITEM	PART NUMBER	QTY	LINE	SERIES	BODY	ENGINE	TRANS	TRIM	DESCRIPTION
2									WIRING, Underbody
	56050674AD	1	J			EVO, EZO			[XAA,DSF]
	56047431AC	1	T			EVO			[AXH,AHT,XAA]
		1				EKO			[AXH,AHT,XAA]
	56050666AD	1	T			EVO			[XAA]
		1				EKO			[XAA]
	56050679AD	1				EKO			[XAA,XGM,AHX,AHT]
		1	T			EVO			[XAA,XGM,AHX,AHT]
	56050675AD	1	J			EVO, EZO			[AHX,AHT,XAA,DSF]
	56050676AD	1	J			EKO, EVO			[XAA,DHX]
	56050677AD	1	J			EKO, EVO			[AHX,AHT,DHX]
	56050678AD	1				EKO			[XAA,XGM]
		1	T			EVO			[XAA,XGM]
	56050684AD	1	J			EVO			[XAA,XGM,AHX,AHT]
	56050680AD	1	T			EZO			[XAA,XGM]
	56050681AD	1	T			EZO			[XAA,XGM,AHX,AHT]
	56050682AD	1	J			EVO, EZO			[XAA,XGM,DSF]
	56050683AD	1	J			EVO			[XAA,XGM]
	56050828AD	1	J			EVO, EZO			[AHX,AHT,XAA,DSF,XGM]
3	56038366AB	1							CONNECTOR, 7 Way
4	05143963AA	1							WIRING, Fuel Module
5									WIRING, Seat Belt Jumper
	05143387AA	1							Left
	05183706AA	1							Right
6	56050461AC	1					DGJ		WIRING, Control Module, Transmission control module
-7	05174217AA	1							WIRING, Sunroof

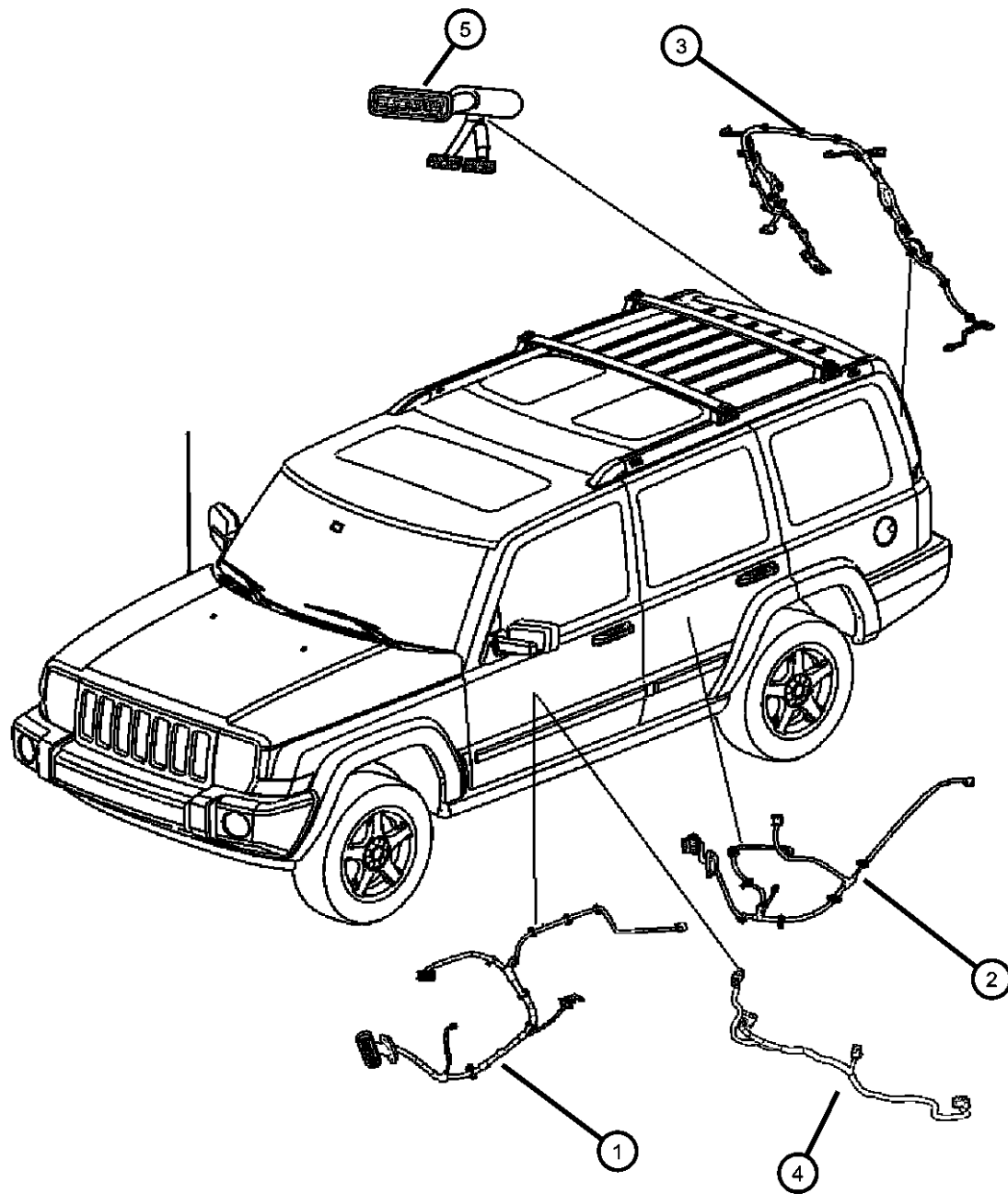
NEW JEEP (XK)

SERIES	LINE	BODY	ENGINE	TRANSMISSION
H = HIGHLINE	T = JEEP - 2WD	74 = SPORT UTILITY 4-DR	EKG = 3.7L V6 Engine	DGQ = 5-Spd Automatic 5-45RFE
P = PREMIUM	J = JEEP - 4WD		EVA = 4.7L V8 MPI Engine	Transmission
			EZB = 5.7L Hemi Multi Displacement Engine	DGJ = 5-Speed Automatic MB Transmission

AR = use ase required - = Non illustrated part

Wiring - Doors and Liftgate
Figure 8-1510

ITEM	PART NUMBER	QTY	LINE	SERIES	BODY	ENGINE	TRANS	TRIM	DESCRIPTION
1	56050289AE	1		P					WIRING, Front Door Passenger
	56050291AE	1		P					Driver
	56050292AE	1		H					[GTN], Passenger
	56050293AE	1		H					[GTS], Passenger
	56050590AE	1		H					[GTS], Driver
	56050295AE	1		H					[GTN], Driver
2	56050288AD	2							WIRING, Rear Door
3	56050287AD	1							WIRING, Liftgate
4	05179170AA	1		H					WIRING, Door Jumper To switch, Passenger
	05179171AA	1		H					To switch, Driver
	05179172AA	1		P					To switch, Passenger
	05179173AA	1		P					To switch, Driver
	5	56047396AC	1	J, T		74			WIRING, Liftgate Jumper
	56047787AA	1	J, T		74			[XAC]	



NEW JEEP (XK)

SERIES LINE
H = HIGHLINE T = JEEP - 2WD
P = PREMIUM J = JEEP - 4WD

BODY
74 = SPORT UTILITY 4-DR

ENGINE
EKG = 3.7L V6 Engine
EVA = 4.7L V8 MPI Engine
EZB = 5.7L Hemi Multi Displacement Engine

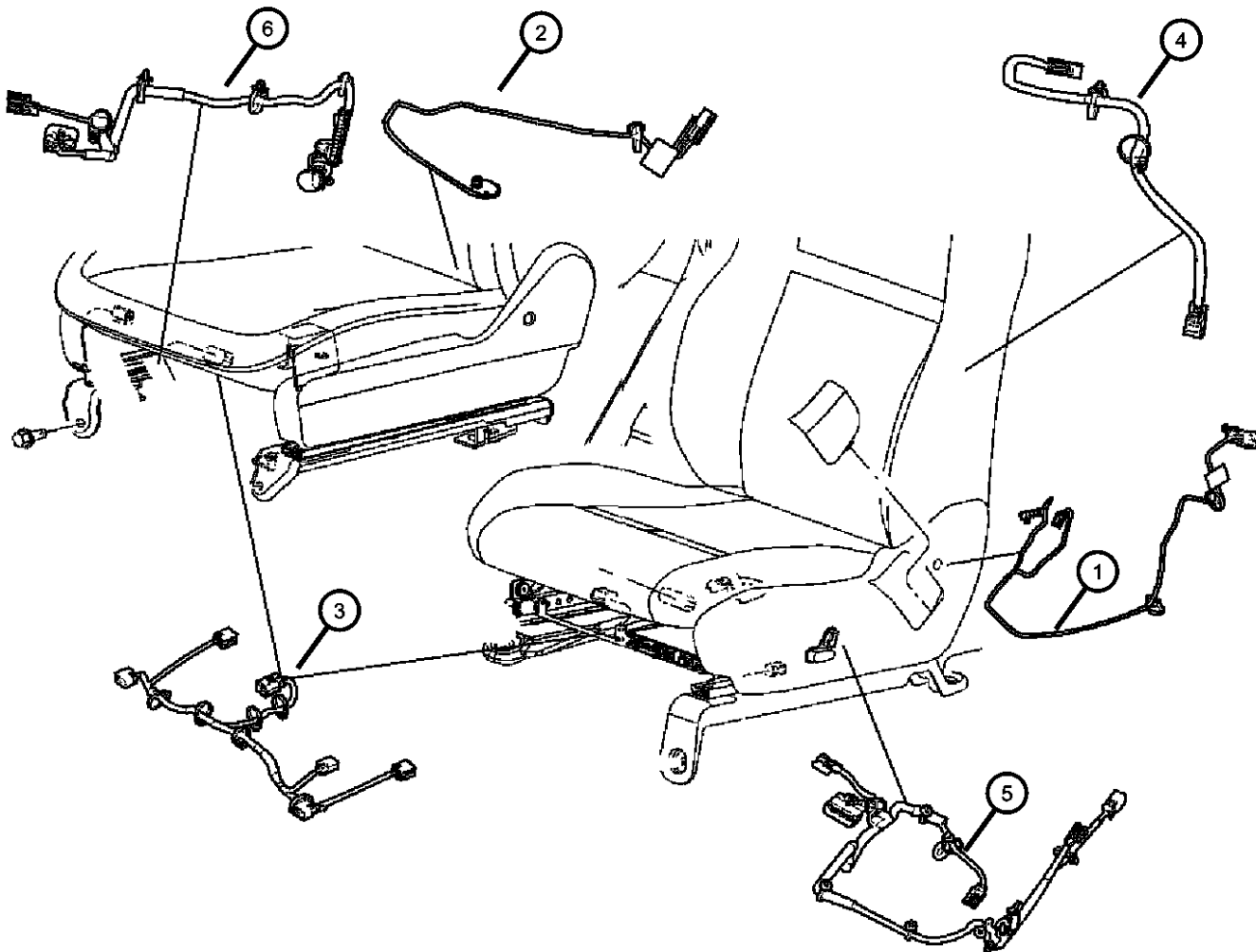
TRANSMISSION
DGQ = 5-Spd Automatic 5-45RFE Transmission
DGJ = 5-Speed Automatic MB Transmission

AR = use ase required - = Non illustrated part

2006 XK

Wiring Seats
Figure 8-1515

ITEM	PART NUMBER	QTY	LINE	SERIES	BODY	ENGINE	TRANS	TRIM	DESCRIPTION
1	05143387AA	1							WIRING, Seat Belt Jumper Left
		1	J, T		74				
2	05183706AA	1							WIRING, Seat Belt Jumper Right
		1	J, T		74				
3	05143370AA	1							WIRING, Seat OCS Wiring
		1	J, T		74				OCS Wiring
4	05143366AA	1							WIRING, Power Seat [JTB] Power Back Wiring, Right
		1	J, T		74				[JTB] Power Back Wiring, Right
	05143367AA	1							[JTB] Power Back Wiring, Left
		1	J, T		74				[JTB] Power Back Wiring, Left
	05143368AA	1							[JTB,JPM] Power Back Wiring, Right
		1	J, T		74				[JTB,JPM] Power Back Wiring, Left
	05143369AA	1							[JTB,JPM] Power Back Wiring, Left
		1	J, T		74				[JTB,JPM] Power Back Wiring, Right
	05143373AA	1							[JPK,-JPM] Power Back Wiring, Left
		1	J, T		74				[JPK,-JPM] Power Back Wiring, Left
	05143383AA	1							[JTK,JPM] Power Back Wiring, Left
		1							[JTK,JPM] Power Back Wiring, Left
5	05143371AA	1							WIRING, Power Seat [JTK] Power Track Wiring
		1	J, T		74				[JTK] Power Track Wiring
	05143377AA	1							[JTK,JPM] Power Track Wiring
		1	J, T		74				[JTK,JPM] Power Track Wiring
	05143379AA	1							[JPR] Power Track Wiring
		1	J, T		74				[JPR] Power Track Wiring
	05143381AA	1							[JTB,JPM] Power Track Wiring
		1	J, T		74				[JTB,JPM] Power Track Wiring
6									WIRING, Power Seat



NEW JEEP (XK)

SERIES LINE
H = HIGHLINE T = JEEP - 2WD
P = PREMIUM J = JEEP - 4WD

BODY
74 = SPORT UTILITY 4-DR

ENGINE
EKG = 3.7L V6 Engine
EVA = 4.7L V8 MPI Engine
EZB = 5.7L Hemi Multi
Displacement Engine

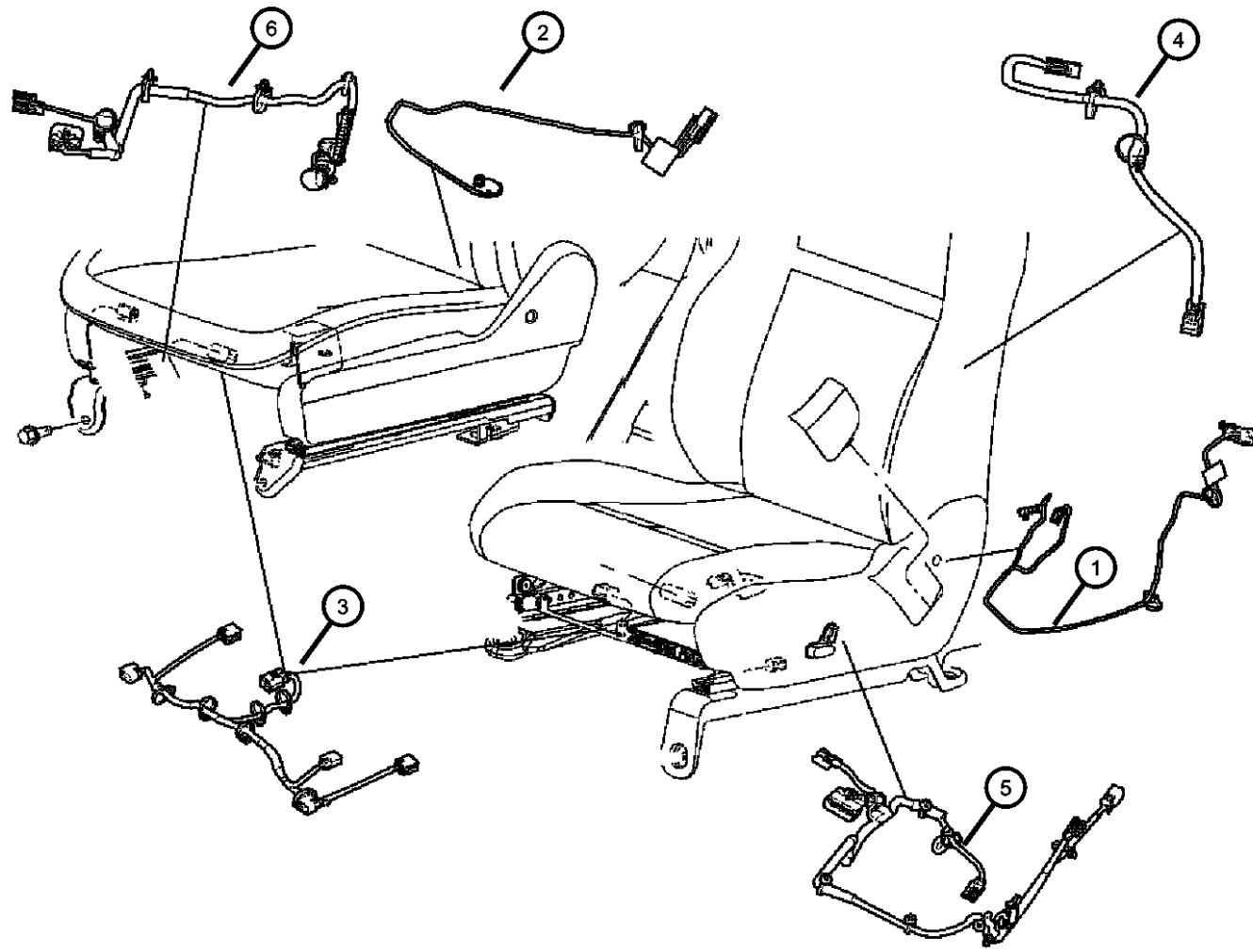
TRANSMISSION
DGQ = 5-Spd Automatic 5-45RFE
Transmission
DGJ = 5-Speed Automatic MB
Transmission

AR = use ase required - = Non illustrated part

2006 XK

**Wiring Seats
Figure 8-1515**

ITEM	PART NUMBER	QTY	LINE	SERIES	BODY	ENGINE	TRANS	TRIM	DESCRIPTION
	05143378AA	1							[JTB] Power Track Wiring
		1	J, T		74				[JTB] Power Track Wiring
	05143380AA	1							[JTB,JPM] Power Track Wiring
		1	J, T		74				[JTB,JPM] Power Track Wiring



NEW JEEP (XK)

SERIES LINE
H = HIGHLINE T = JEEP - 2WD
P = PREMIUM J = JEEP - 4WD

BODY
74 = SPORT UTILITY 4-DR

ENGINE
EKG = 3.7L V6 Engine
EVA = 4.7L V8 MPI Engine
EZB = 5.7L Hemi Multi
Displacement Engine

TRANSMISSION
DGQ = 5-Spd Automatic 5-45RFE
Transmission
DGJ = 5-Speed Automatic MB
Transmission

AR = use ase required - = Non illustrated part

2006 XK

**Wiring Repair Packages
Figure 8-1605**

ITEM	PART NUMBER	QTY	LINE	SERIES	BODY	ENGINE	TRANS	TRIM	DESCRIPTION
-1									STRAP, Tie, For Electrical Connector Repair Information visit the World Wide Web at http://dto.vftis.com/mopar/disclaimer.asp
	05073039AA	1				EK0			
	56008876	1				EVO, EZ0			
-2	52124121AA	2							CLIP, Wiring CONNECTOR
-3									
	52108308AB	1	T				DGJ		
		1	J				DGJ		

For Electrical Connector Repair Information visit the World Wide Web at

<http://dto.vftis.com/mopar/disclaimer.asp>

NEW JEEP (XK)

SERIES LINE
H = HIGHLINE T = JEEP - 2WD
P = PREMIUM J = JEEP - 4WD

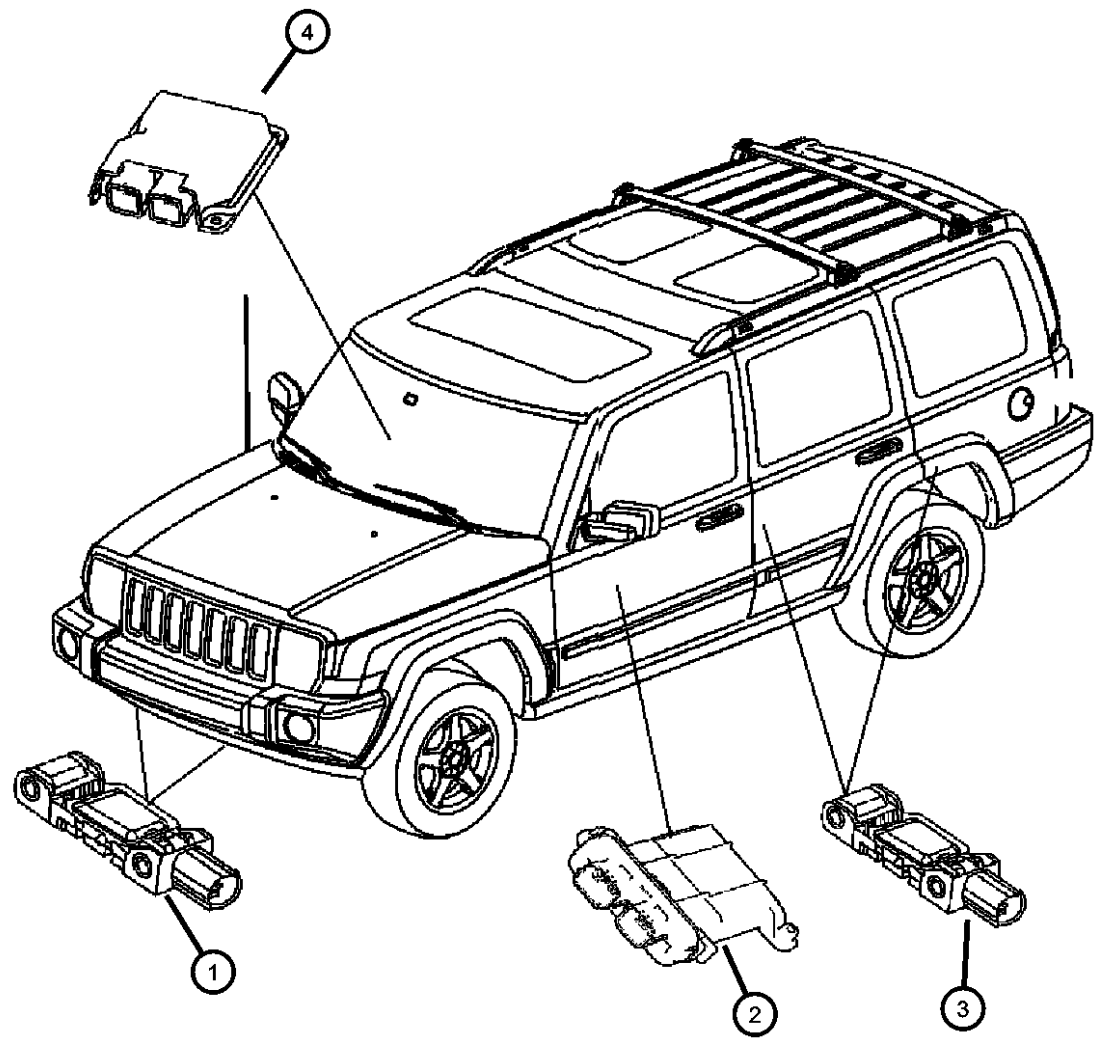
BODY
74 = SPORT UTILITY 4-DR

ENGINE
EKG = 3.7L V6 Engine
EVA = 4.7L V8 MPI Engine
EZB = 5.7L Hemi Multi Displacement Engine

TRANSMISSION
DGQ = 5-Spd Automatic 5-45RFE Transmission
DGJ = 5-Speed Automatic MB Transmission

Air Bag Modules and Sensors
Figure 8-1705

ITEM	PART NUMBER	QTY	LINE	SERIES	BODY	ENGINE	TRANS	TRIM	DESCRIPTION
1	04671779AC	2							SENSOR, Side Airbag Impact
2	56038801AD	1							MODULE, Occupant Restraint
3	04671779AC	6							SENSOR, Side Airbag Impact
4	56043195AZ	1							MODULE, Occupant Classification



NEW JEEP (XK)

SERIES LINE
H = HIGHLINE T = JEEP - 2WD
P = PREMIUM J = JEEP - 4WD

BODY
74 = SPORT UTILITY 4-DR

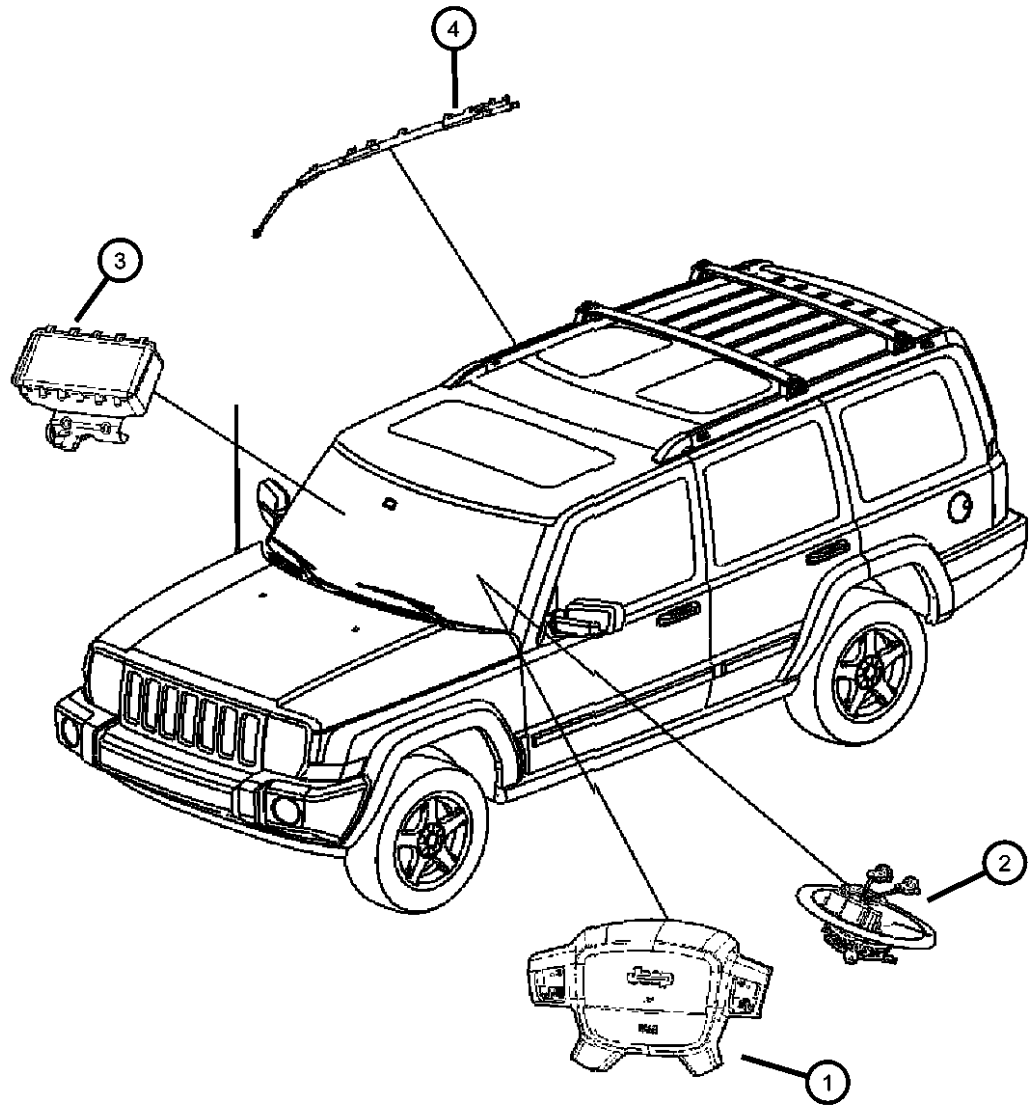
ENGINE
EKG = 3.7L V6 Engine
EVA = 4.7L V8 MPI Engine
EZB = 5.7L Hemi Multi Displacement Engine

TRANSMISSION
DGQ = 5-Spd Automatic 5-45RFE Transmission
DGJ = 5-Speed Automatic MB Transmission

AR = use ase required - = Non illustrated part

**Air Bags and Clock Spring
Figure 8-1710**

ITEM	PART NUMBER	QTY	LINE	SERIES	BODY	ENGINE	TRANS	TRIM	DESCRIPTION
1	5JY991DVAD	1							AIR BAG, Driver
		1							[D1]
		1							[D5]
	5JY991J8AD	1							[J1]
		1							[J3]
2	05143320AD	1							MODULE, Steering Control, Includes clock spring
3	55197130AE	1							AIR BAG, Passenger
4									AIR BAG, Side Curtain
	55315092AE	1							Right
	55315093AE	1							Left



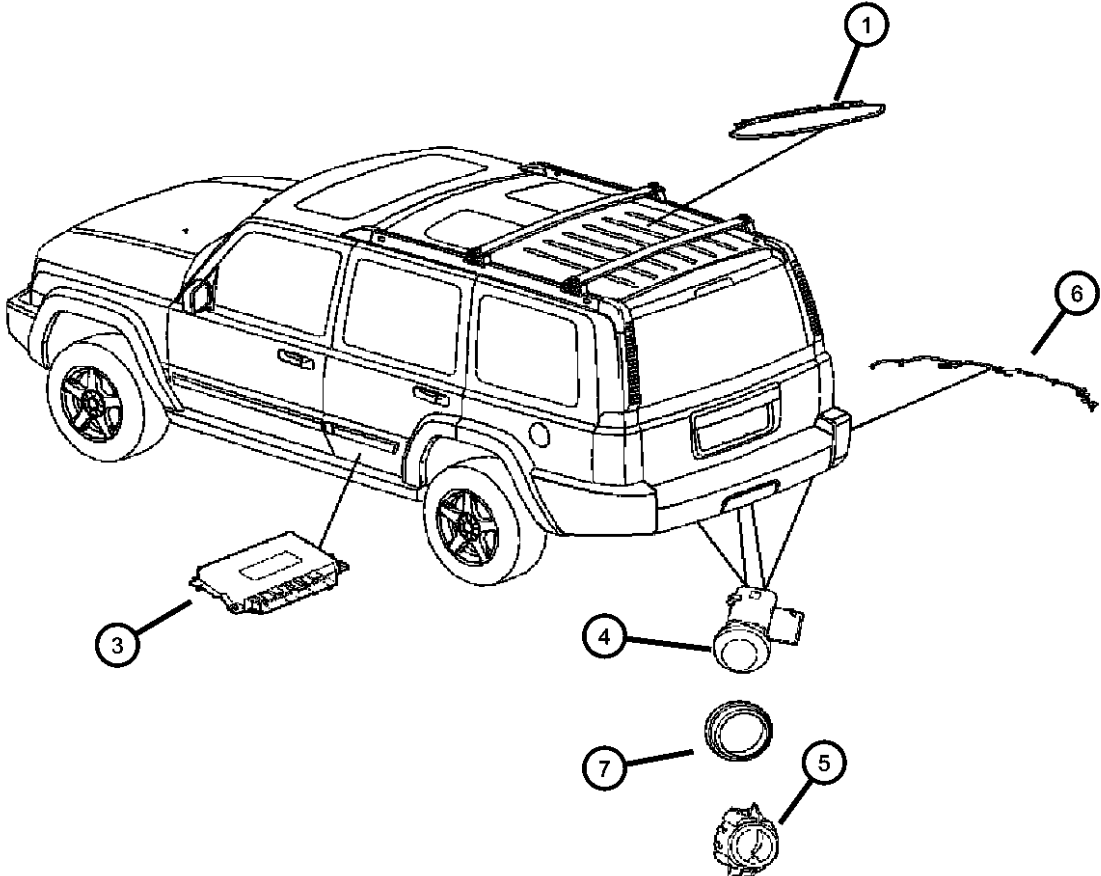
NEW JEEP (XK)

SERIES	LINE	BODY	ENGINE	TRANSMISSION
H = HIGHLINE	T = JEEP - 2WD	74 = SPORT UTILITY 4-DR	EKG = 3.7L V6 Engine	DGQ = 5-Spd Automatic 5-45RFE
P = PREMIUM	J = JEEP - 4WD		EVA = 4.7L V8 MPI Engine	Transmission
			EZB = 5.7L Hemi Multi Displacement Engine	DGJ = 5-Speed Automatic MB Transmission

AR = use ase required - = Non illustrated part

**Park Assist Detection System
Figure 8-1805**

ITEM	PART NUMBER	QTY	LINE	SERIES	BODY	ENGINE	TRANS	TRIM	DESCRIPTION
1	04602364AA	1							DISPLAY, Parking Assist
-2	05028600AA	1							BRACKET, Park Assist Display, Stamped 1107569
3	05026016AC	1							MODULE, Parking Assist
4	5HX08TZZAA	4							SENSOR, Park Assist
5	5HX08TZZAA	4							BRACKET, Sensor Mounting, Park Assist Sensor Bracket serviced in fascia assembly, (NOT SERVICED)
6	05183502AA	1							HARNESS, Sensor Wiring
7	04806229AA	4							ISOLATOR, Back Up Sensor



NEW JEEP (XK)

SERIES LINE
H = HIGHLINE T = JEEP - 2WD
P = PREMIUM J = JEEP - 4WD

BODY
74 = SPORT UTILITY 4-DR

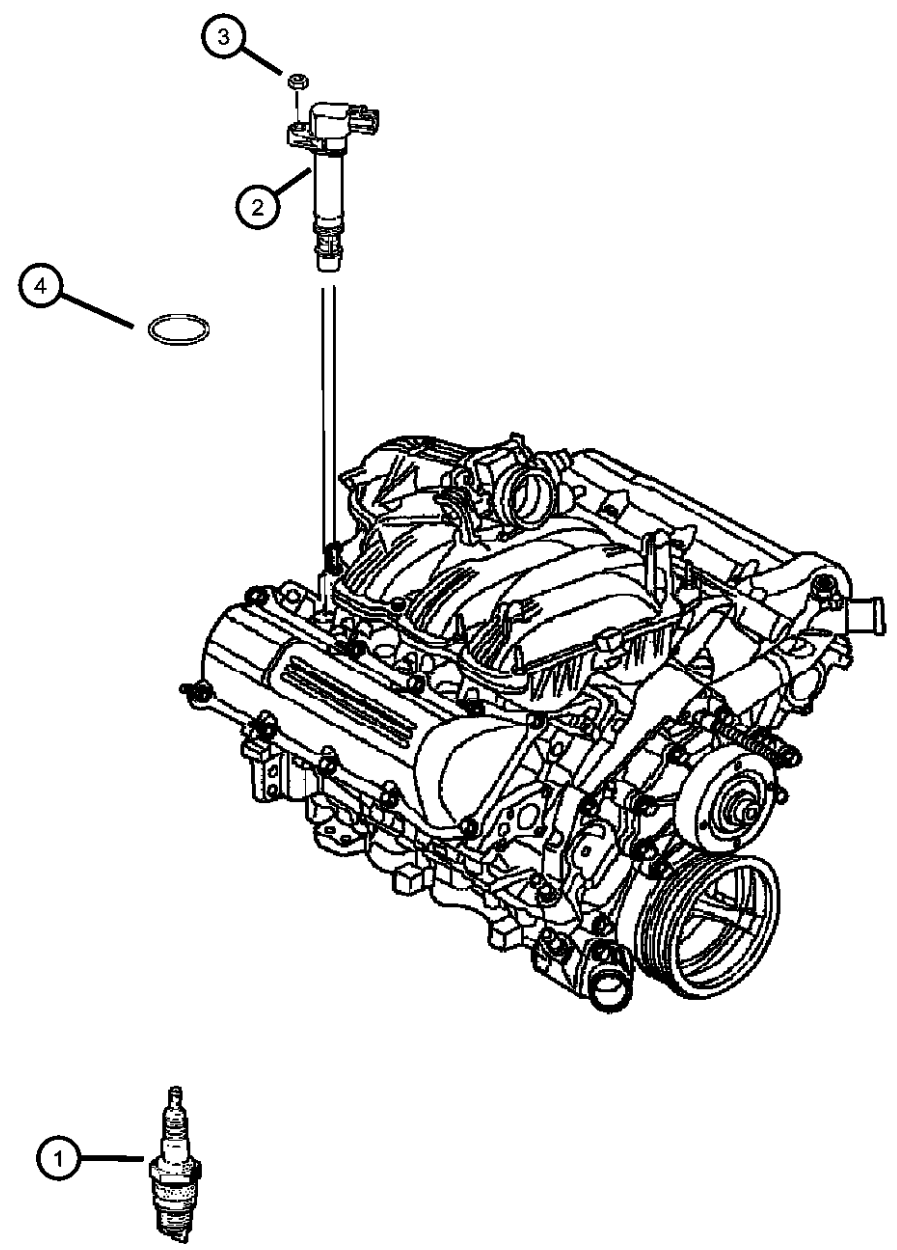
ENGINE
EKG = 3.7L V6 Engine
EVA = 4.7L V8 MPI Engine
EZB = 5.7L Hemi Multi Displacement Engine

TRANSMISSION
DGQ = 5-Spd Automatic 5-45RFE Transmission
DGJ = 5-Speed Automatic MB Transmission

AR = use ase required - = Non illustrated part

**Spark Plugs and Coils [3.7L and 4.7L Engines]
Figure 8-1905**

ITEM	PART NUMBER	QTY	LINE	SERIES	BODY	ENGINE	TRANS	TRIM	DESCRIPTION
1	SPRC12MCC4	8				EVA			SPARK PLUG
	SPZFR6F11G	6				EK0			
2	56028138AF	8				EVO			COIL, Ignition
		6				EK0			
3		6							NUT AND WASHER, Hex, M6x1.0, (NOT SERVICED)
4	05072382AA	8				EVO			O RING
		6				EK0			



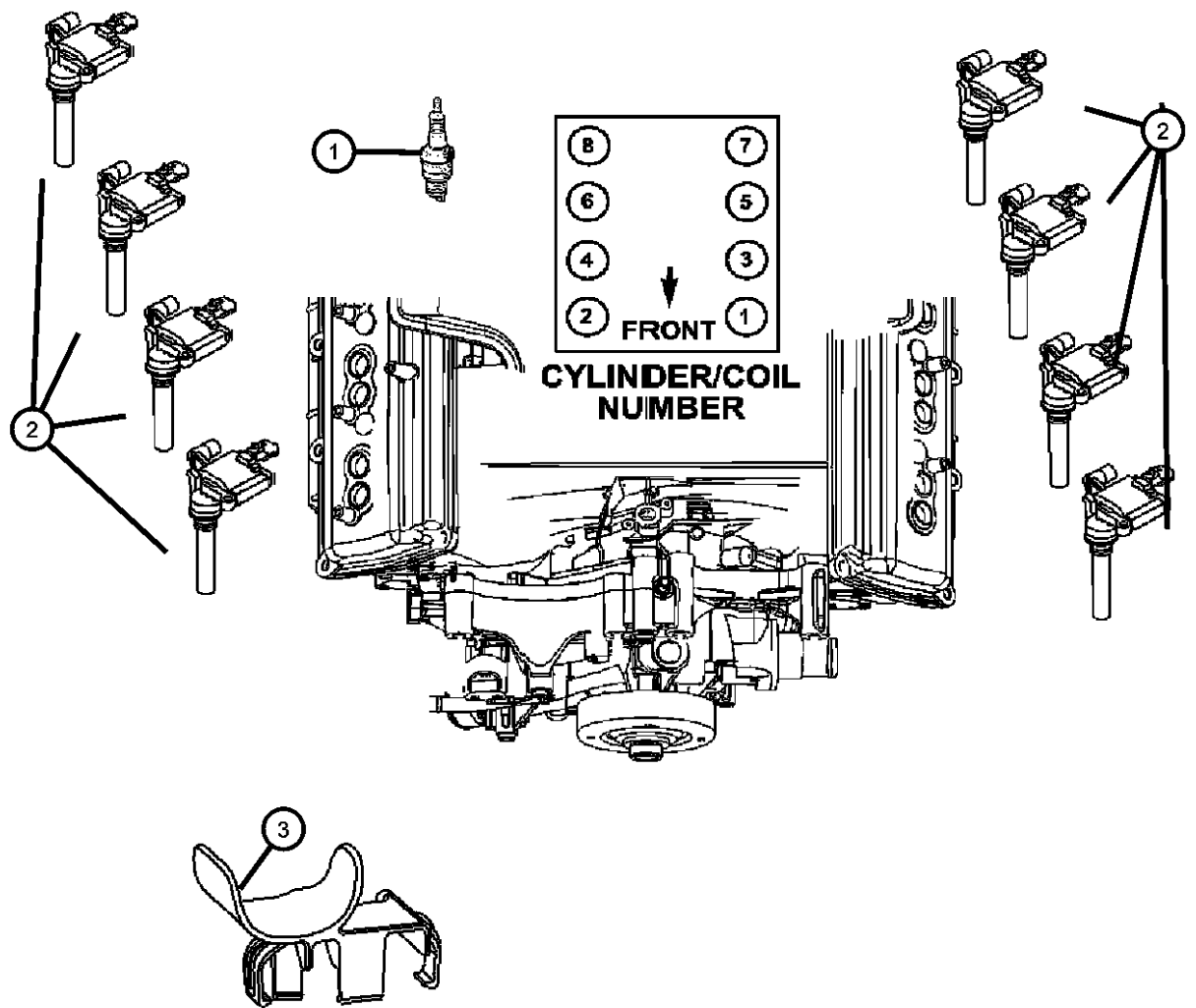
NEW JEEP (XK)

SERIES	LINE	BODY	ENGINE	TRANSMISSION
H = HIGHLINE	T = JEEP - 2WD	74 = SPORT UTILITY 4-DR	EKG = 3.7L V6 Engine	DGQ = 5-Spd Automatic 5-45RFE
P = PREMIUM	J = JEEP - 4WD		EVA = 4.7L V8 MPI Engine	Transmission
			EZB = 5.7L Hemi Multi Displacement Engine	DGJ = 5-Speed Automatic MB Transmission

AR = use ase required - = Non illustrated part

**Spark Plugs and Coil [5.7L Engine]
Figure 8-1910**

ITEM	PART NUMBER	QTY	LINE	SERIES	BODY	ENGINE	TRANS	TRIM	DESCRIPTION
1	SPRE14MCC4	16				EZ0			SPARK PLUG
2	56029129AA	8				EZ0			COIL, Ignition
3	04801474AA	2				EZ0			TROUGH, Wiring through over coils



NEW JEEP (XK)

SERIES LINE
 H = HIGHLINE T = JEEP - 2WD
 P = PREMIUM J = JEEP - 4WD

BODY
 74 = SPORT UTILITY 4-DR

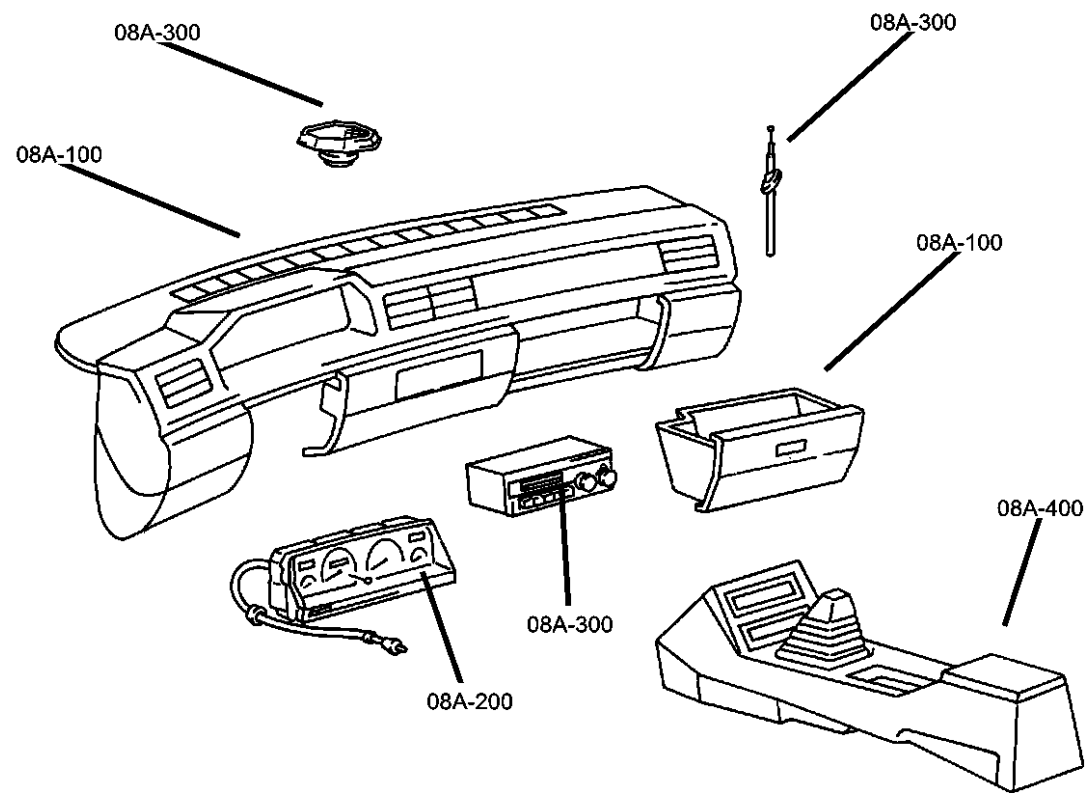
ENGINE
 EKG = 3.7L V6 Engine
 EVA = 4.7L V8 MPI Engine
 EZB = 5.7L Hemi Multi Displacement Engine

TRANSMISSION
 DGQ = 5-Spd Automatic 5-45RFE Transmission
 DGJ = 5-Speed Automatic MB Transmission

AR = use ase required - = Non illustrated part

Group - 08A

Instrument Panel and Radios and Consoles



Group - 08A Instrument Panel and Radios and Consoles

Illustration Title

Group-Fig. No.

Instrument Panel

Instrument Panel - Upper.....	Fig. 08A - 105
Instrument Panel - Lower.....	Fig. 08A - 110

Instrument Panel Cluster

Instrument Cluster.....	Fig. 08A - 210
-------------------------	----------------

Radio, Antenna, and Speakers

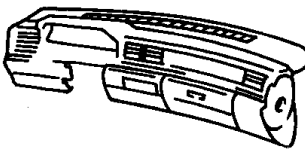
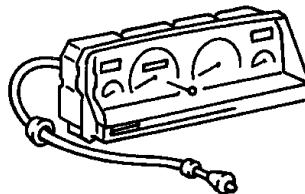
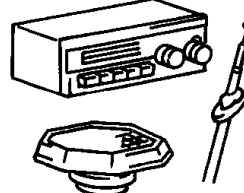
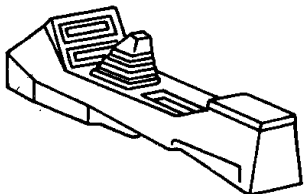
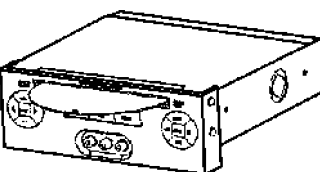
Radio.....	Fig. 08A - 305
Antenna.....	Fig. 08A - 310
Satellite Radio/Antenna.....	Fig. 08A - 315
Speakers.....	Fig. 08A - 320
Camera System.....	Fig. 08A - 325

Consoles

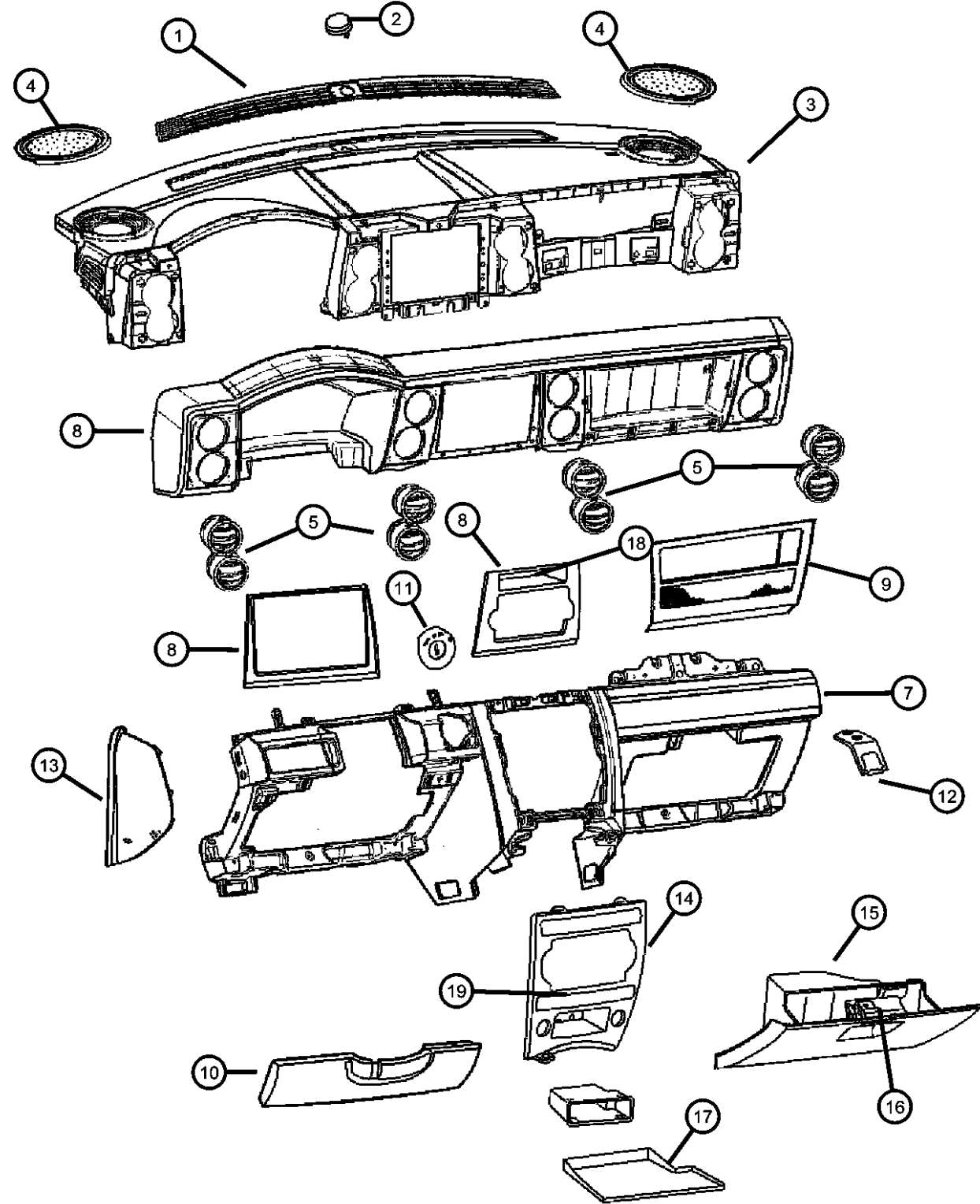
Floor Console.....	Fig. 08A - 405
Overhead Console.....	Fig. 08A - 410

Entertainment Systems

DVD Player/Media System.....	Fig. 08A - 710
Media System Brackets.....	Fig. 08A - 720

<p>08A-100 Instrument Panel</p> 	<p>08A-200 Instrument Panel Cluster</p> 	<p>08A-300 Radio, Antenna, and Speakers</p> 	<p>08A-400 Consoles</p> 
<p>08A-700 Entertainment Systems</p> 			

Instrument Panel - Upper
Figure 08A-105



ITEM	PART NUMBER	QTY	LINE	SERIES	BODY	ENGINE	TRANS	TRIM	DESCRIPTION
1	5JT08XDVAC	1							GRILLE, Defroster
		1							[D1]
		1							[D5]
	5JT08ZJ8AC	1							[J1]
		1							[J3]
2	5JN32XDVAD	1							PLUG, Solar Sensor
		1							[D5]
	5JN32ZJ8AD	1							[J3]
3	5JZ07XDVAG	1							PANEL, Instrument Upper
		1							[D1]
		1							[D5]
	5JZ07ZJ8AG	1							[J1]
		1							[J3]
4	5JZ09XDVAC	2							GRILLE, Instrument Panel Speaker
		2							[D1]
		2							[D5]
	5JZ09ZJ8AC	2							[J1]
		2							[J3]
5	1DE151DVAA	8							OUTLET, Air Conditioning & Heater
		8							[D1]
		8							[D5]
	1DE151J8AA	8							[J1]
		8							[J3]
-6	55116976AB	16							SCREW, Hex Head, Decorative screws use around outlets
7	5JY781D1AK	1							PANEL, Instrument Lower
		1							[D1]
		1							[J1]
	5JY781D5AK	1							[D5]
	5JY781J3AK	1							[J3]
8	1DE111DVAA	1							BEZEL, Instrument Panel, Upper
		1							[D1][RAQ,REF]
	1DE111J8AA	1							[J1][RAQ,REF]
		1							[J3][RAQ,REF]
		1							[D5][RAQ,REF]
	1DE12XDVAA	1							[D1][REC]

NEW JEEP (XK)

SERIES LINE
H = HIGHLINE T = JEEP - 2WD
P = PREMIUM J = JEEP - 4WD

BODY
74 = SPORT UTILITY 4-DR

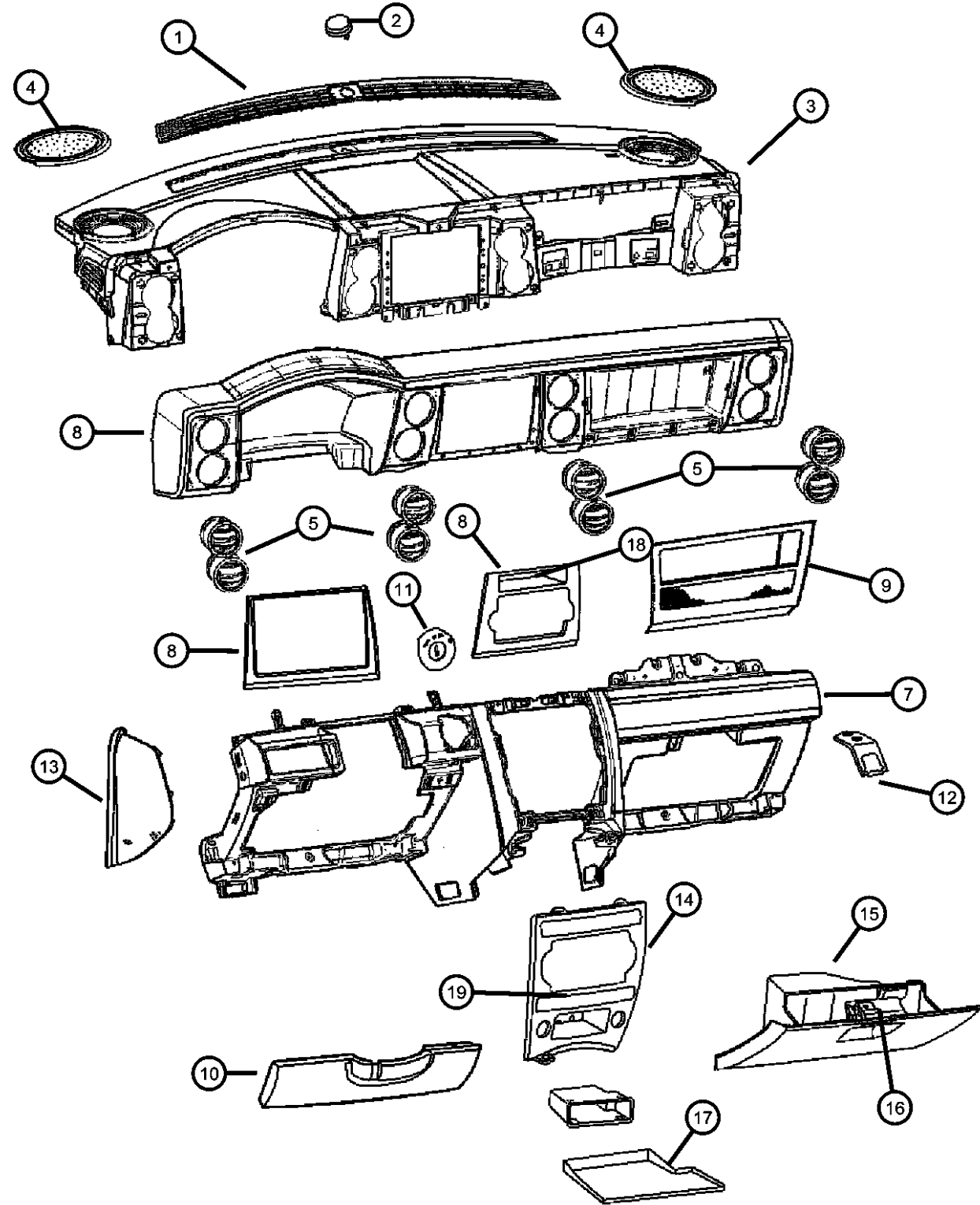
ENGINE
EKG = 3.7L V6 Engine
EVA = 4.7L V8 MPI Engine
EZB = 5.7L Hemi Multi
Displacement Engine

TRANSMISSION
DGQ = 5-Spd Automatic 5-45RFE
Transmission
DGJ = 5-Speed Automatic MB
Transmission

AR = use ase required - = Non illustrated part

2006 XK

Instrument Panel - Upper
Figure 08A-105



ITEM	PART NUMBER	QTY	LINE	SERIES	BODY	ENGINE	TRANS	TRIM	DESCRIPTION
		1							[D5][REC]
	1DE12ZJ8AA	1							[J1][REC]
		1							[J3][REC]
	5JT12XDVAF	1	J, T		74				[D1][REC]
	5JT12ZJ8AF	1	J, T		74				[J1][REC]
9									BEZEL, Instrument Panel, Upper
	1DE16XDVAA	1							[D1][RAQ,REF]
		1							[D5][RAQ,REF]
		1							[D1][REC]
		1							[D5][REC]
	1DE16ZJ8AA	1							[J1][RAQ,REF]
		1							[J3][RAQ,REF]
		1							[J1][REC]
		1							[J3][REC]
10									COVER, Instrument Panel, Steering Column Opening
	5HS93BD1AH	1							[D1]
		1							[J1]
	5HS93BD5AH	1							[D5]
	5HS93ZJ3AH	1							[J3]
11									BEZEL, Switch
	5JY75BD1AD	1							[D1], Ignition Switch
		1							[J1], Ignition Switch
	5JY75BD5AD	1							[D5], Ignition Switch
	5JY75ZJ3AD	1							[J3], Ignition Switch
12	55116991AB	1							STRIKER, Glove Box Door Latch
13									CAP, Instrument Panel End
	5JY08BD1AB	1							[D1], Right
		1							[J1], Right
	5JY08BD5AB	1							[D5], Right
	5JY08ZJ3AB	1							[J3], Right
	5JY09BD1AB	1							[D1], Left
		1							[J1], Left
	5JY09BD5AB	1							[D5], Left
	5JY09ZJ3AB	1							[J3], Left

NEW JEEP (XK)

SERIES LINE
H = HIGHLINE T = JEEP - 2WD
P = PREMIUM J = JEEP - 4WD

BODY
74 = SPORT UTILITY 4-DR

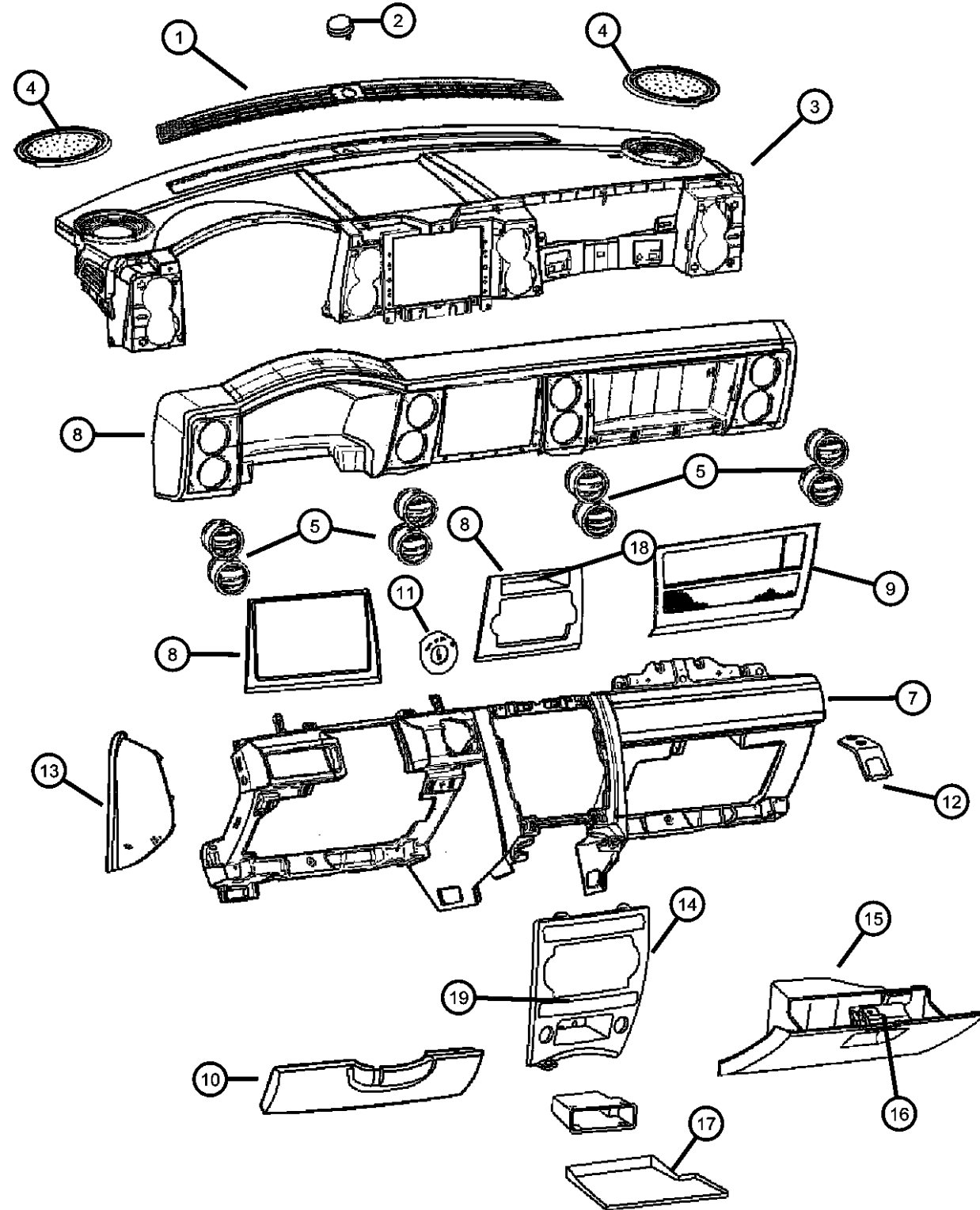
ENGINE
EKG = 3.7L V6 Engine
EVA = 4.7L V8 MPI Engine
EZB = 5.7L Hemi Multi Displacement Engine

TRANSMISSION
DGQ = 5-Spd Automatic 5-45RFE Transmission
DGJ = 5-Speed Automatic MB Transmission

AR = use ase required - = Non illustrated part

2006 XK

Instrument Panel - Upper
Figure 08A-105



ITEM	PART NUMBER	QTY	LINE	SERIES	BODY	ENGINE	TRANS	TRIM	DESCRIPTION
14	05179214AB	1		P					BEZEL, Instrument Panel, Lower
	05179215AB	1		H					
15	5JY771D1AH	1							GLOVE BOX, Instrument Panel
		1							[D1]
		1							[J1]
	5JY771D5AH	1							[D5]
	5JY771J3AH	1							[J3]
16	5JM55BD1AB	1							LATCH, Glovebox Door
		1							[D1]
		1							[J1]
	5JM55BD5AB	1							[D5]
	5JM55ZJ3AB	1							[J3]
17	05159061AA	1							MAT, Instrument Panel
18	05179450AA	1	J, T				74		MAT, Instrument Panel
19	05143549AA	1	J, T	H			74		MAT, Instrument Panel
		1	J, T	P			74		
-20	68033383AA	16	J, T				74		NUT, Push In, For the decorative screws

NEW JEEP (XK)

SERIES LINE
H = HIGHLINE T = JEEP - 2WD
P = PREMIUM J = JEEP - 4WD

BODY
74 = SPORT UTILITY 4-DR

ENGINE
EKG = 3.7L V6 Engine
EVA = 4.7L V8 MPI Engine
EZB = 5.7L Hemi Multi
Displacement Engine

TRANSMISSION
DGQ = 5-Spd Automatic 5-45RFE
Transmission
DGJ = 5-Speed Automatic MB
Transmission

AR = use ase required - = Non illustrated part

2006 XK

**Instrument Panel - Lower
Figure 08A-110**

	ITEM	PART NUMBER	QTY	LINE	SERIES	BODY	ENGINE	TRANS	TRIM	DESCRIPTION	
	1	55117059AA	1							FRAME, Instrument Panel	
	2									CAP, Instrument Panel End	
			5JY09BD1AB	1							[D1], Left
				1							[J1], Left
			5JY09BD5AB	1							[D5], Left
			5JY09ZJ3AB	1							[J3], Left
	3										PANEL, Instrument Lower
			5JY781D1AK	1							[D1]
				1							[J1]
			5JY781D5AK	1							[D5]
			5JY781J3AK	1							[J3]
	4										CAP, Instrument Panel End
			5JY08BD1AB	1							[D1], Right
				1							[J1], Right
			5JY08BD5AB	1							[D5], Right
			5JY08ZJ3AB	1							[J3], Right
	5										BIN, Instrument Panel
			1BK891J3AA	1							[J3]
			1BK891D5AA	1							[D5]
			1BK891J1AA	1							[D1]
			1							[J1]	
6		05159061AA	1							MAT, Instrument Panel	
7										BEZEL, Switch	
		5JY75BD5AD	1							[D5]	
		5JY75ZJ3AD	1							[J3]	
		5JY75BD1AD	1							[D1]	
			1							[J1]	
8										COVER, Instrument Panel, Steering Column Opening	
		5HS93BD1AH	1							[D1]	
			1							[J1]	
		5HS93BD5AH	1							[D5]	
		5HS93ZJ3AH	1							[J3]	
9		05159062AA	2							CLIP, Console	
10		55116775AI	1							PANEL, Instrument Panel CloseoutLeft	

NEW JEEP (XK)

SERIES LINE
H = HIGHLINE T = JEEP - 2WD
P = PREMIUM J = JEEP - 4WD

BODY
74 = SPORT UTILITY 4-DR

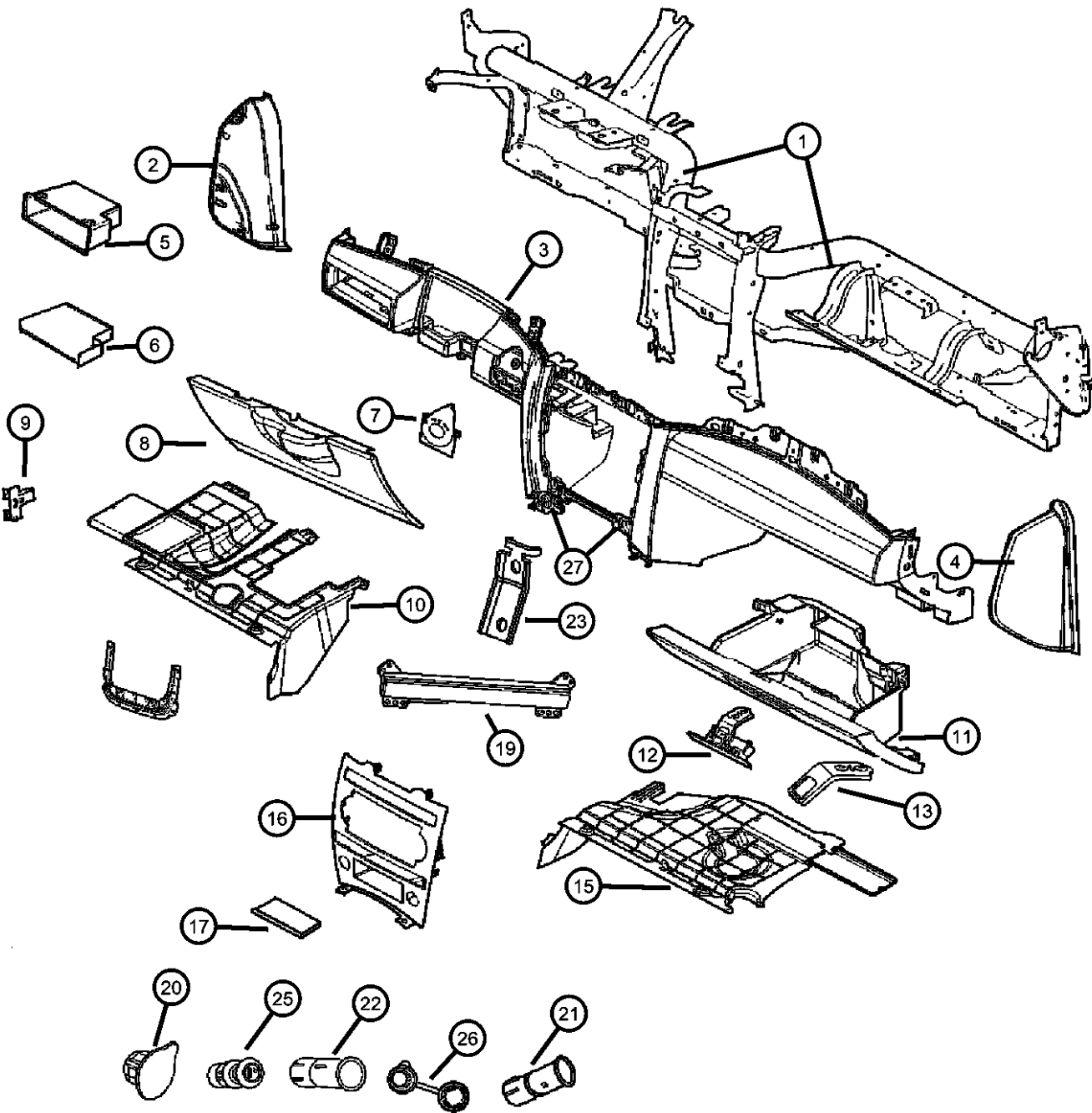
ENGINE
EKG = 3.7L V6 Engine
EVA = 4.7L V8 MPI Engine
EZB = 5.7L Hemi Multi
Displacement Engine

TRANSMISSION
DGQ = 5-Spd Automatic 5-45RFE
Transmission
DGJ = 5-Speed Automatic MB
Transmission

AR = use ase required - = Non illustrated part

2006 XK

**Instrument Panel - Lower
Figure 08A-110**



ITEM	PART NUMBER	QTY	LINE	SERIES	BODY	ENGINE	TRANS	TRIM	DESCRIPTION
11	5JY771D1AH	1							GLOVE BOX, Instrument Panel [D1]
		1							[J1]
	5JY771D5AH	1							[D5]
	5JY771J3AH	1							[J3]
12	5JM55BD1AB	1							LATCH, Glovebox Door [D1]
		1							[J1]
	5JM55BD5AB	1							[D5]
	5JM55ZJ3AB	1							[J3]
13	55116991AB	1							STRIKER, Glove Box Door Latch
-14	55117034AC	1							DAMPENER, Glove Box Door
15	55116780AJ	1							PANEL, Instrument Panel CloseoutRight
16									BEZEL, Instrument Panel, Lower
	05179214AB	1			P				
	05179215AB	1			H				
17									MAT, Instrument Panel
	05143549AA	1	J, T	H	74				
		1	J, T	P	74				
-18	06101945	2							SCREW, Close Out to Instrument Panel, Driver Side
19	55116923AF	1					DGJ		COVER, Switch Opening
20	56008852	1							CAP, Cigar Lighter
21	04793554AB	1							POWER OUTLET
22	04685590	1							BASE, Cigar Lighter
23	55116622AB	2							BRACKET, Instrument Panel
-24	04793555	1							RING, Cigar Lighter Mounting
25	04793555	1							KNOB AND ELEMENT, Cigar Lighter, (NOT SERVICED)
26	04685668AA	1							MOUNT, Power Outlet
27	05159062AA	2							CLIP, Console
-28									GAP HIDER, Steering Column Shroud
	1CB57XDVAB	1							[D1]
		1							[D5]

NEW JEEP (XK)

SERIES LINE
H = HIGHLINE T = JEEP - 2WD
P = PREMIUM J = JEEP - 4WD

BODY
74 = SPORT UTILITY 4-DR

ENGINE
EKG = 3.7L V6 Engine
EVA = 4.7L V8 MPI Engine
EZB = 5.7L Hemi Multi
Displacement Engine

TRANSMISSION
DGQ = 5-Spd Automatic 5-45RFE
Transmission
DGJ = 5-Speed Automatic MB
Transmission

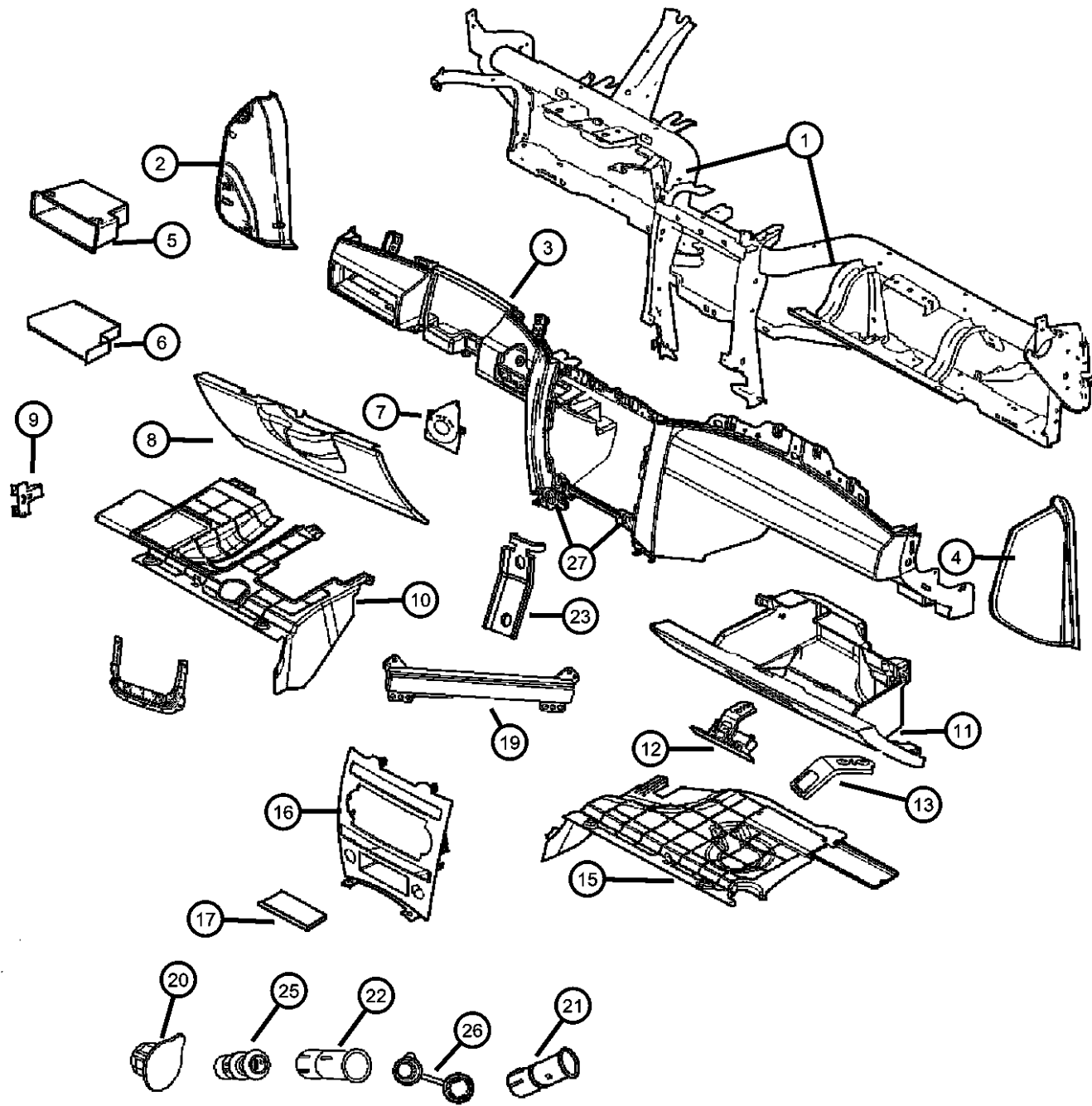
AR = use ase required - = Non illustrated part

2006 XK

Instrument Panel - Lower
Figure 08A-110

ITEM	PART NUMBER	QTY	LINE	SERIES	BODY	ENGINE	TRANS	TRIM	DESCRIPTION
------	-------------	-----	------	--------	------	--------	-------	------	-------------

	1CB57ZJ8AB	1							[J1]
		1							[J3]



NEW JEEP (XK)

SERIES	LINE
H = HIGHLINE	T = JEEP - 2WD
P = PREMIUM	J = JEEP - 4WD

BODY
74 = SPORT UTILITY 4-DR

ENGINE
EKG = 3.7L V6 Engine
EVA = 4.7L V8 MPI Engine
EZB = 5.7L Hemi Multi Displacement Engine

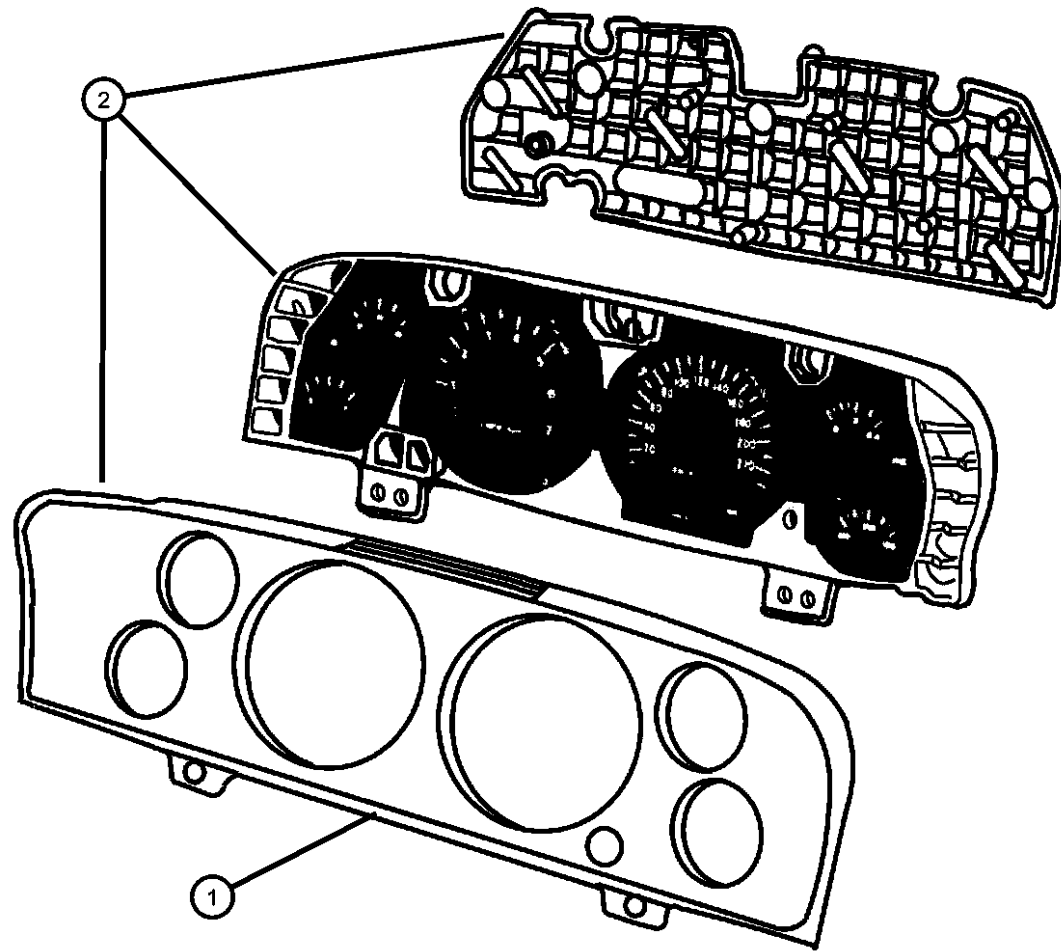
TRANSMISSION
DGQ = 5-Spd Automatic 5-45RFE Transmission
DGJ = 5-Speed Automatic MB Transmission

AR = use ase required - = Non illustrated part

2006 XK

**Instrument Cluster
Figure 08A-210**

ITEM	PART NUMBER	QTY	LINE	SERIES	BODY	ENGINE	TRANS	TRIM	DESCRIPTION
1	05142356AA	1		H		EVO			LENS, Cluster
		1		H		EK0			
		1		P		EVO, EZ0			
2	05172900AF	1		H		EK0			CLUSTER [JDH]
	05172901AF	1		H		EK0		[JCE]	
	56054012AF	1				EVO, EZ0		[JCE]	
	56054014AF	1				EVO, EZ0		[JDH]	



NEW JEEP (XK)

SERIES LINE
H = HIGHLINE T = JEEP - 2WD
P = PREMIUM J = JEEP - 4WD

BODY
74 = SPORT UTILITY 4-DR

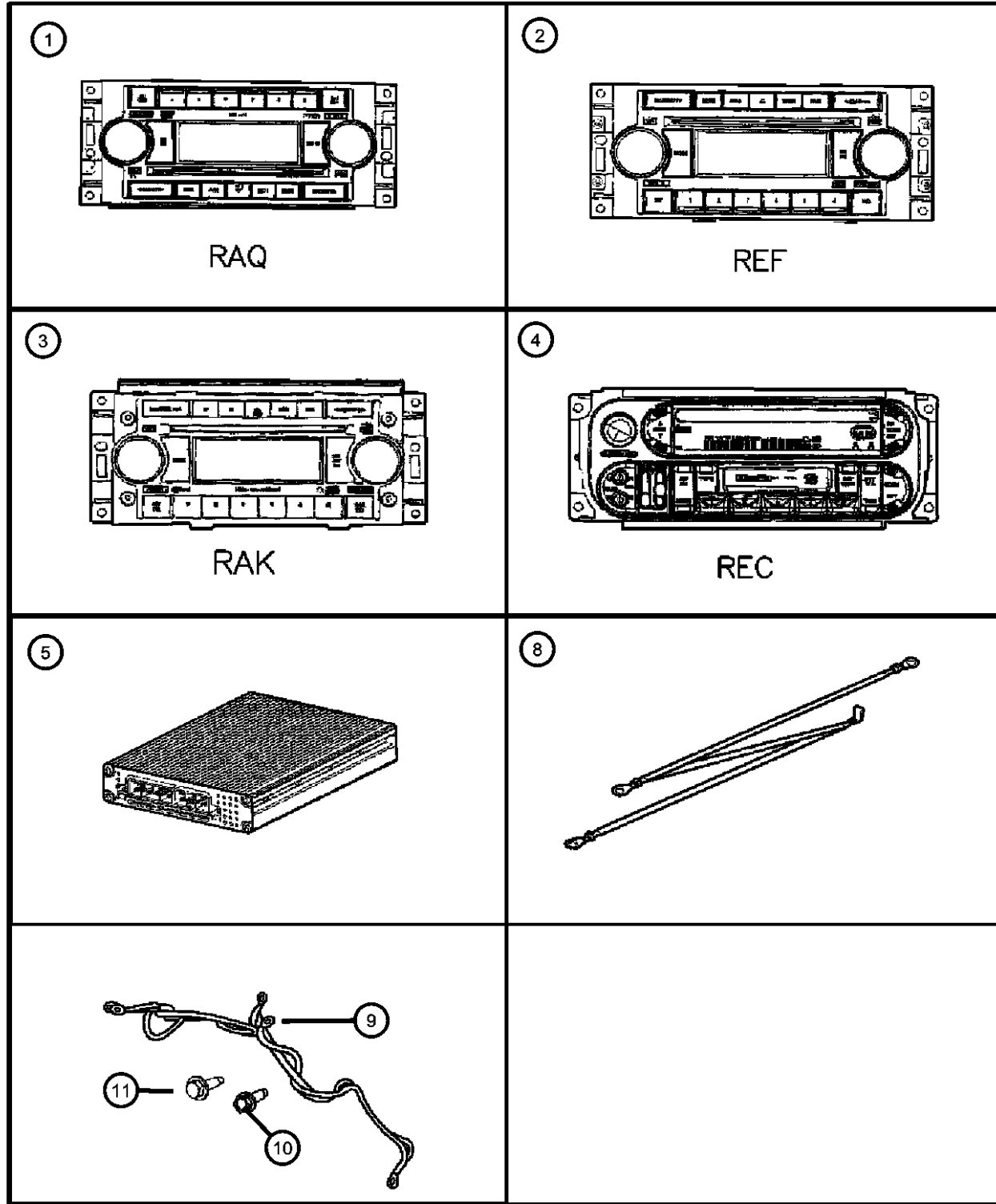
ENGINE
EKG = 3.7L V6 Engine
EVA = 4.7L V8 MPI Engine
EZB = 5.7L Hemi Multi
Displacement Engine

TRANSMISSION
DGQ = 5-Spd Automatic 5-45RFE
Transmission
DGJ = 5-Speed Automatic MB
Transmission

AR = use ase required - = Non illustrated part

2006 XK

Radio
Figure 08A-305



ITEM	PART NUMBER	QTY	LINE	SERIES	BODY	ENGINE	TRANS	TRIM	DESCRIPTION
1	05091175AA	1	J, T		74				RADIO, AM/FM with CD and Equalizer [RAQ,HAA]
	05091176AA	1	J, T		74				[RAQ,HAF]
2	05064173AA	1							RADIO, AM/FM with CD and Equalizer, [REF]
3	05091523AF	1							RADIO, AM/FM/Cassette With CD, [RAK]
4	56038646AL	1							RADIO, AM/FM CD W/NAV/DVD & CD-CTRL, [REC]
5	05064118AD	1							AMPLIFIER, Audio
-6	05134251AA	1							BRACKET, Amplifier
-7	05134251AA	1							SCREW, Hex Head, M6x1x16, Amplifier mounting, (NOT SERVICED)
8	56038682AD	1				EK0, EV0, EZ0			STRAP, Ground, NGC to engine
9	56038682AD	1				EK0, EV0, EZ0			STRAP, Ground
10	06505178AA	1				EK0, EV0			SCREW, Hex Head
11	06505903AA	1	J			EK0, EV0, EZ0			SCREW AND WASHER, Self Tapping, M6x1x22, Exhaust Ground Strap to Body
-12	05064033AC	1							DVD, Geographic Database
-13	05161571AA	1							COVER, Radio
-14	05064013AU	1							MODULE, Telematics

NEW JEEP (XK)

SERIES LINE
H = HIGHLINE T = JEEP - 2WD
P = PREMIUM J = JEEP - 4WD

BODY
74 = SPORT UTILITY 4-DR

ENGINE
EKG = 3.7L V6 Engine
EVA = 4.7L V8 MPI Engine
EZB = 5.7L Hemi Multi Displacement Engine

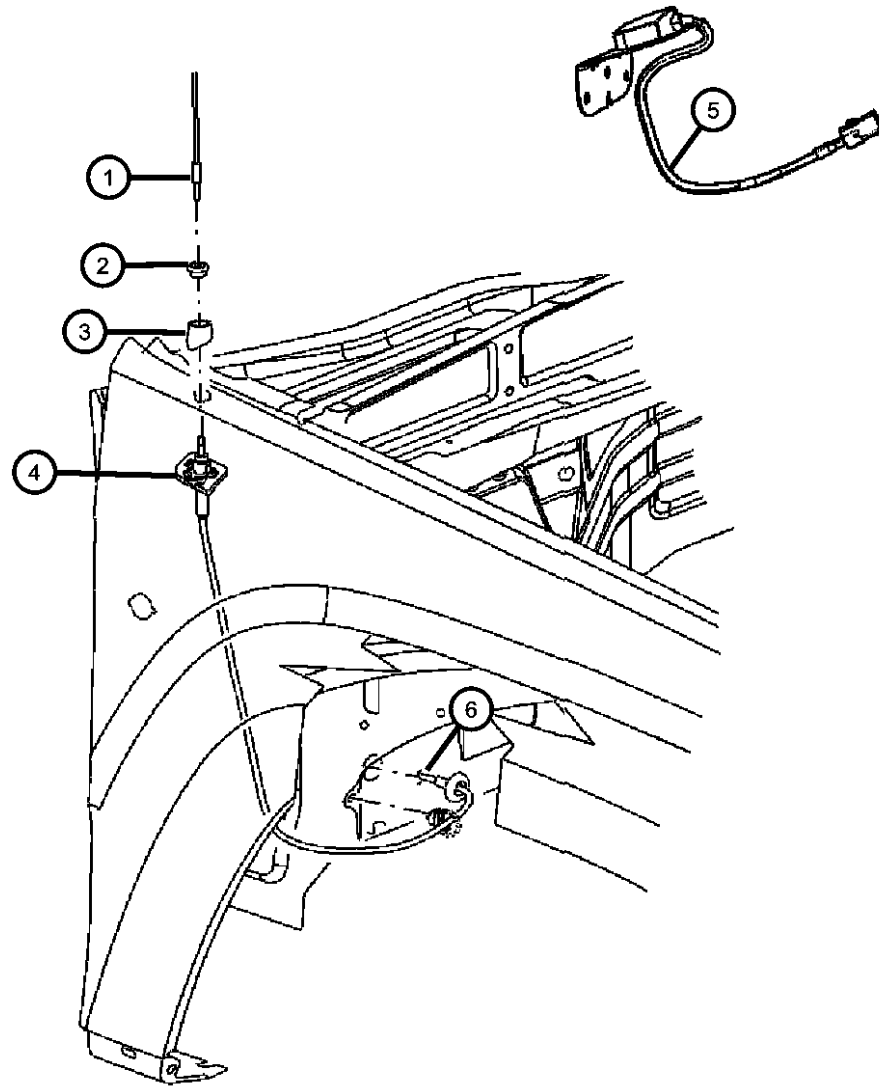
TRANSMISSION
DGQ = 5-Spd Automatic 5-45RFE Transmission
DGJ = 5-Speed Automatic MB Transmission

AR = use ase required - = Non illustrated part

2006 XK

**Antenna
Figure 08A-310**

ITEM	PART NUMBER	QTY	LINE	SERIES	BODY	ENGINE	TRANS	TRIM	DESCRIPTION
1	56038725AC	1							MAST, Antenna - Fixed
2	56038729AE	1	J, T		74				CAP NUT, Antenna
3	56038789AA	1							ESCUTCHEON, Antenna
4	56038790AD	1	J, T		74				BASE, Antenna, Base and Cable
5	56038799AB	1							ANTENNA, Global Positioning
6	56038732AG	1							CABLE, Antenna



NEW JEEP (XK)

SERIES LINE
H = HIGHLINE T = JEEP - 2WD
P = PREMIUM J = JEEP - 4WD

BODY
74 = SPORT UTILITY 4-DR

ENGINE
EKG = 3.7L V6 Engine
EVA = 4.7L V8 MPI Engine
EZB = 5.7L Hemi Multi
Displacement Engine

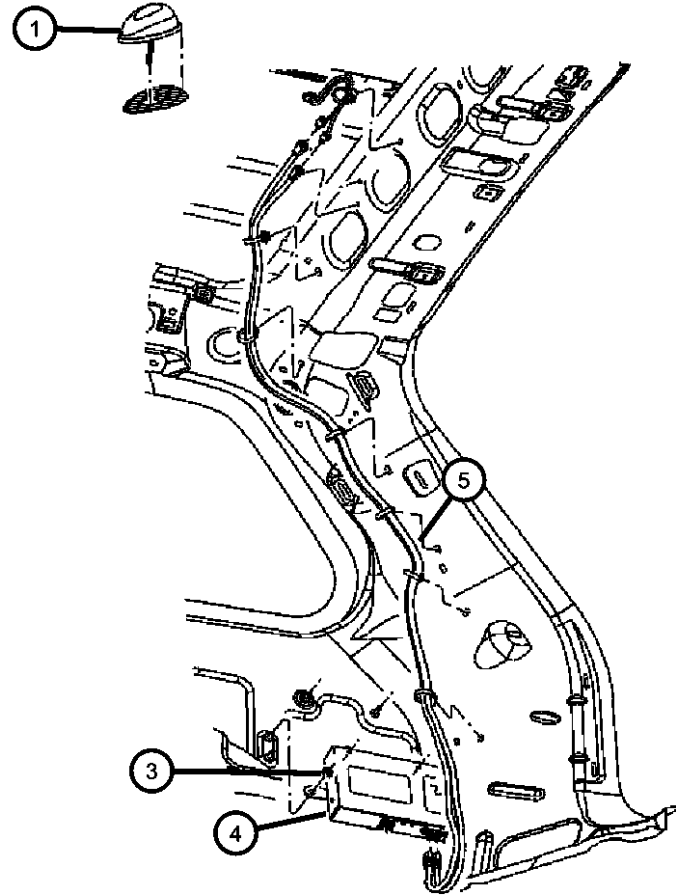
TRANSMISSION
DGQ = 5-Spd Automatic 5-45RFE
Transmission
DGJ = 5-Speed Automatic MB
Transmission

AR = use ase required - = Non illustrated part

2006 XK

**Satellite Radio/Antenna
Figure 08A-315**

ITEM	PART NUMBER	QTY	LINE	SERIES	BODY	ENGINE	TRANS	TRIM	DESCRIPTION
1	05150048AA	1							ANTENNA, Satellite, [RSA]
-2	05064190AB	1							CUP, Satellite Radio, [RSA] For locating jumper harness to tear header
3	06503825	3							NUT AND WASHER, Hex Nut-Coned Washer, M6 x 1.00, [RSA]
4	05064075AC	1							RECEIVER, Satellite, See Note, [RSA]
5	56040716AD	1							CABLE, Satellite Radio, [RSA]



NEW JEEP (XK)

SERIES	LINE
H = HIGHLINE	T = JEEP - 2WD
P = PREMIUM	J = JEEP - 4WD

BODY
74 = SPORT UTILITY 4-DR

ENGINE
EKG = 3.7L V6 Engine
EVA = 4.7L V8 MPI Engine
EZB = 5.7L Hemi Multi Displacement Engine

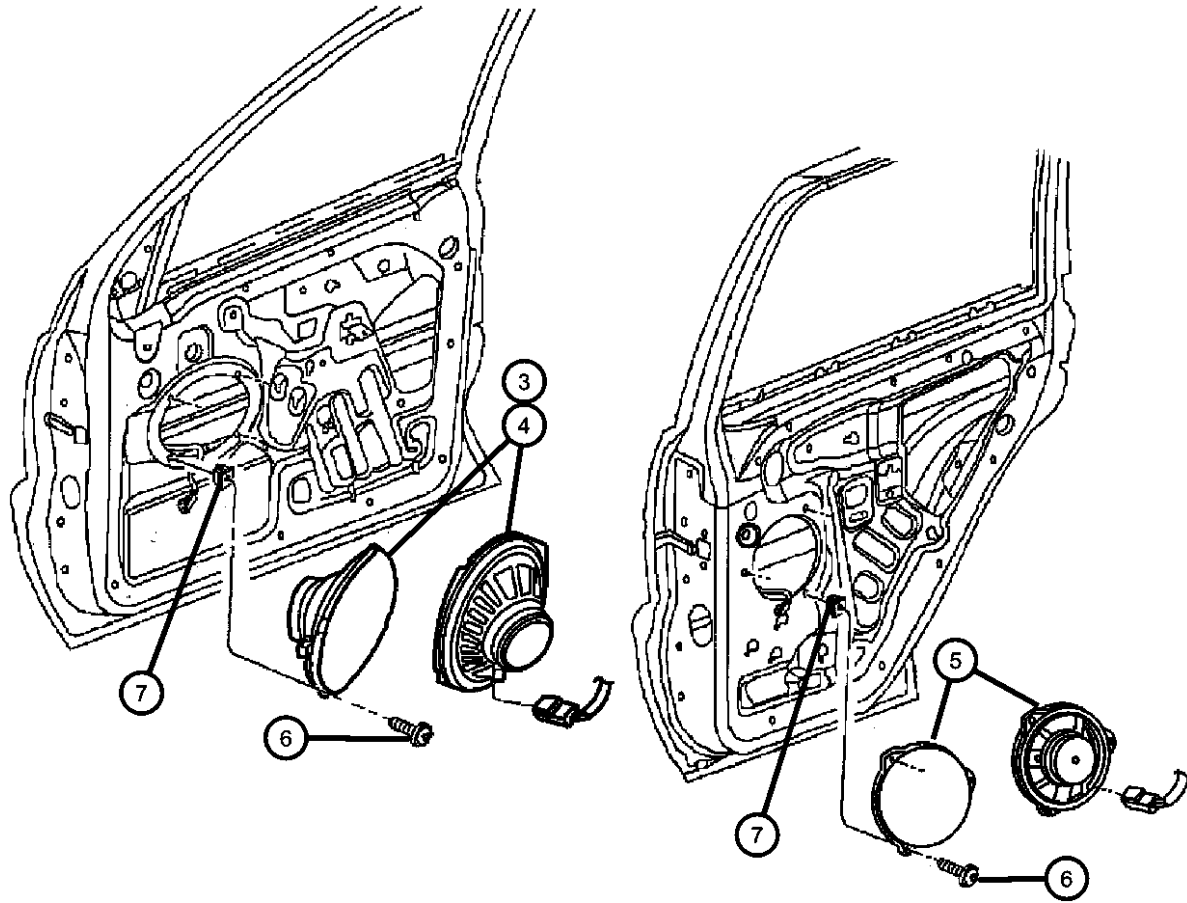
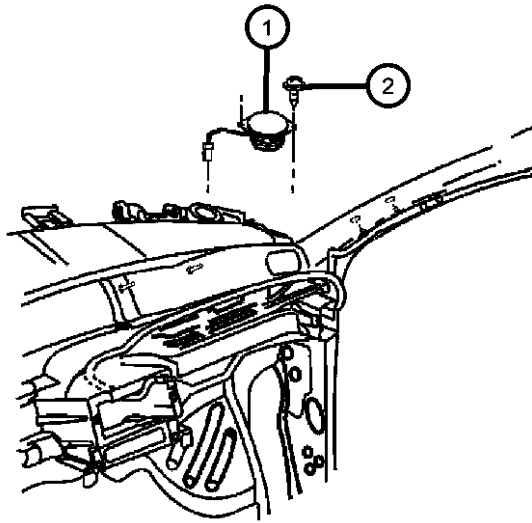
TRANSMISSION
DGQ = 5-Spd Automatic 5-45RFE Transmission
DGJ = 5-Speed Automatic MB Transmission

AR = use ase required - = Non illustrated part

2006 XK

**Speakers
Figure 08A-320**

ITEM	PART NUMBER	QTY	LINE	SERIES	BODY	ENGINE	TRANS	TRIM	DESCRIPTION
1	05059062AB	2							SPEAKER, Instrument Panel [RCG]
	05059068AB	2							[RC6]
2	05059068AB	2							SCREW, Tapping, (NOT SERVICED), SPEAKER, 6"X9", [RCG]
3	05091019AB	2							SPEAKER, Rear, 6x9, [RC6]
4	05059063AB	2							SPEAKER, 6.5", Rear Door
5	05081670AB	2							[RC6], Premium
	05091020AB	2							[RCG],
6	05091020AB	2							SCREW, (NOT SERVICED),
7	06507009AA	6							NUT, Plastic Snap-in Speaker Mounting, Rear Door
		8							Speaker Mounting, Front Door



NEW JEEP (XK)

SERIES LINE
H = HIGHLINE T = JEEP - 2WD
P = PREMIUM J = JEEP - 4WD

BODY
74 = SPORT UTILITY 4-DR

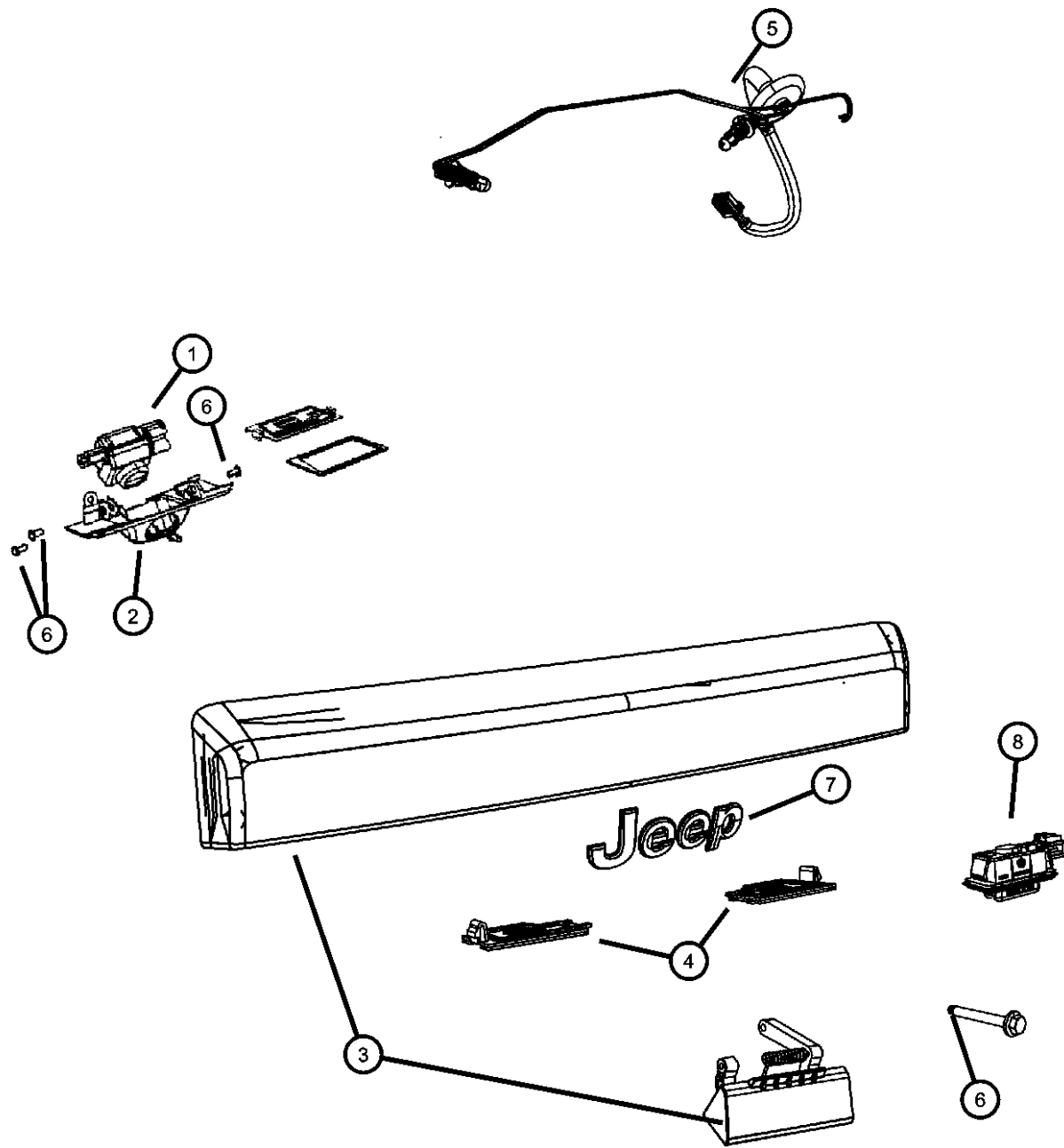
ENGINE
EKG = 3.7L V6 Engine
EVA = 4.7L V8 MPI Engine
EZB = 5.7L Hemi Multi
Displacement Engine

TRANSMISSION
DGQ = 5-Spd Automatic 5-45RFE
Transmission
DGJ = 5-Speed Automatic MB
Transmission

AR = use ase required - = Non illustrated part

2006 XK

Camera System
Figure 08A-325



ITEM	PART NUMBER	QTY	LINE	SERIES	BODY	ENGINE	TRANS	TRIM	DESCRIPTION
1	05026338AA	1	J, T	H	74				CAMERA
2	68003288AA	1	J, T	P	74				BRACKET, Camera
3	1FN64AJCAA	1	J, T		74				HANDLE, Liftgate [JC]
	1FN64BJTAA	1	J, T		74				[JT]
	1FN64DX8AA	1	J, T		74				[X8]
	1FN64EDAAA	1	J, T		74				[DA]
	1FN64EGJAA	1	J, T		74				[GJ]
	1FN64WS-BAA	1	J, T		74				[SB]
4	05189327AA	1	J, T	P	74				LENS, License Lamp Left
	05189328AA	1	J, T	P	74				Right
5	05189329AA	1		H					WIRING, License Lamp
6	06104626AA	1	J, T	H	74				SCREW, Hex Head
7	55157088AC	1	J, T	P	74				NAMEPLATE, Jeep
8	56042450AB	1	J, T	P	74				SWITCH, Flipper Window

NEW JEEP (XK)

SERIES LINE
H = HIGHLINE T = JEEP - 2WD
P = PREMIUM J = JEEP - 4WD

BODY
74 = SPORT UTILITY 4-DR

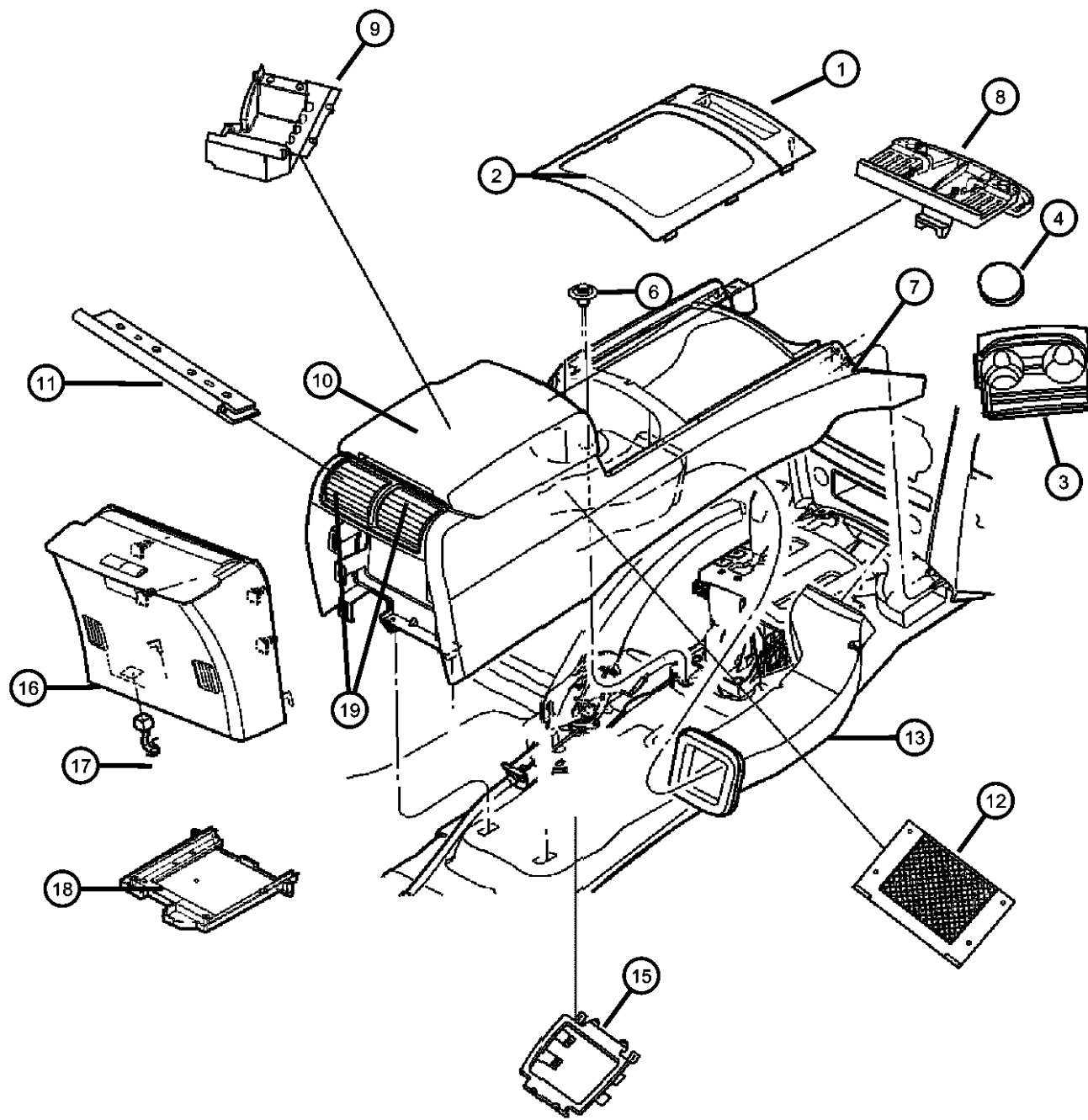
ENGINE
EKG = 3.7L V6 Engine
EVA = 4.7L V8 MPI Engine
EZB = 5.7L Hemi Multi
Displacement Engine

TRANSMISSION
DGQ = 5-Spd Automatic 5-45RFE
Transmission
DGJ = 5-Speed Automatic MB
Transmission

AR = use ase required - = Non illustrated part

2006 XK

Floor Console
Figure 08A-405



ITEM	PART NUMBER	QTY	LINE	SERIES	BODY	ENGINE	TRANS	TRIM	DESCRIPTION
1	0XG86DX9AD	1		H					BEZEL, Gear Shift Indicator
	1BN41AAAAC	1		P					[AWB]
	1BN46AAAAC	1		P					[AWB]
	5KH82DX9AC	1		H					[AWB]
2	5JN05SZ0AC	1							RING, Trim
3									CUPHOLDER, Floor Console
	05143592AB	1							[D5][ACH]
	1FB241D5AA	1	J, T		74				[J3][ACH]
	1FB241J3AA	1	J, T		74				[J3][ACH]
4	1BN50DX9AA	1							MAT, Console Cup Holder
-5	1BN50DX9AA	1							SCREW, Self Piercing, .164-15x.625, (NOT SERVICED)
6	1BN50DX9AA	1							SCREW, (NOT SERVICED)
7									CONSOLE, Base
	1BJ011D1AB	1							[D1]
		1							[J1]
	1BJ011D5AB	1							[D5]
	1BJ011J3AB	1							[J3]
8	05143594AA	1							LATCH, Console Lock
9	05143596AA	1							BIN, Floor Console
10									LID, Floor Console Bin
	1BJ001D1AB	1							[D1]
		1							[J1]
	1BJ001D5AB	1							[D5]
	1BJ001J3AB	1							[J3]
11	05143595AA	1							HINGE, Floor Console Lid
12	05143593AA	1							NET, Storage
13	55197077AB	1							DUCT, Floor Console, Between HVAC and Instrument Panel. Includes foam and a clip
-14	55197077AB	1							SCREW, .164-18x.50, (NOT SERVICED)
15	05143597AB	1							BRACKET, Console
16									CAP, Floor Console End
	1BK64BD1AA	1							[D1][XRV]
		1							[J1][XRV]

NEW JEEP (XK)

SERIES LINE
H = HIGHLINE T = JEEP - 2WD
P = PREMIUM J = JEEP - 4WD

BODY
74 = SPORT UTILITY 4-DR

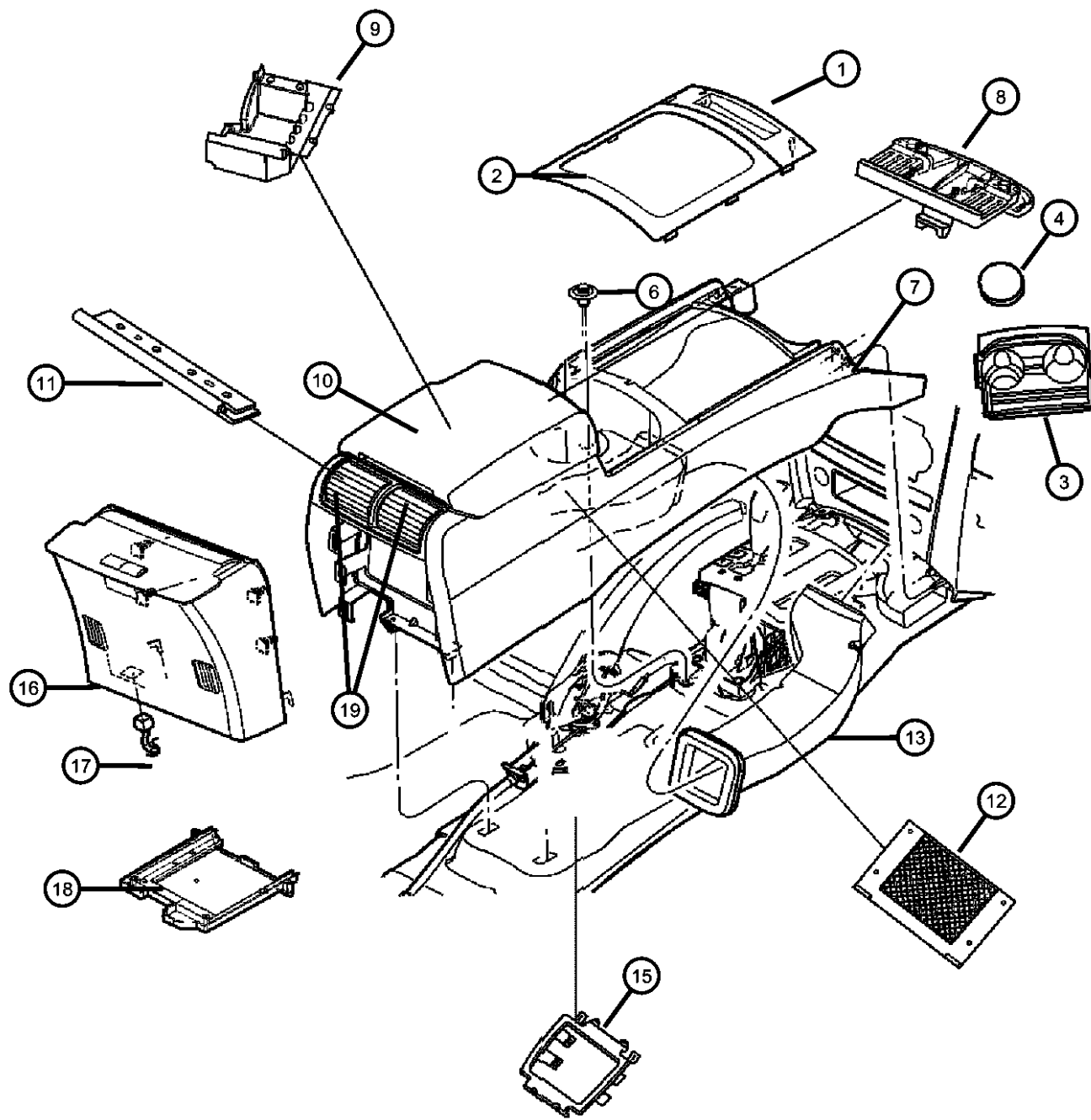
ENGINE
EKG = 3.7L V6 Engine
EVA = 4.7L V8 MPI Engine
EZB = 5.7L Hemi Multi
Displacement Engine

TRANSMISSION
DGQ = 5-Spd Automatic 5-45RFE
Transmission
DGJ = 5-Speed Automatic MB
Transmission

AR = use ase required - = Non illustrated part

2006 XK

Floor Console
Figure 08A-405



ITEM	PART NUMBER	QTY	LINE	SERIES	BODY	ENGINE	TRANS	TRIM	DESCRIPTION
	1BK64BD5AA	1							[D5][XRV]
	1BK64ZJ3AA	1							[J3][XRV]
	5KB96BD1AB	1							[J1]
		1							[D1]
	5KB96BD5AB	1							[D5]
	5KB96ZJ3AB	1							[J3]
17	5KB96ZJ3AB	1							CONNECTOR, Serviced with Body Wiring, (NOT SERVICED),
18	5KB96ZJ3AB	1							PLATE, Serviced with Console Assy., (NOT SERVICED)
19									OUTLET, Air Conditioning & Heater
	1BJ021D1AA	1							[D1]
		1							[J1]
	1BJ021D5AA	1							[D5]
	1BJ021J3AA	1							[J3]

NEW JEEP (XK)

SERIES LINE
H = HIGHLINE T = JEEP - 2WD
P = PREMIUM J = JEEP - 4WD

BODY
74 = SPORT UTILITY 4-DR

ENGINE
EKG = 3.7L V6 Engine
EVA = 4.7L V8 MPI Engine
EZB = 5.7L Hemi Multi Displacement Engine

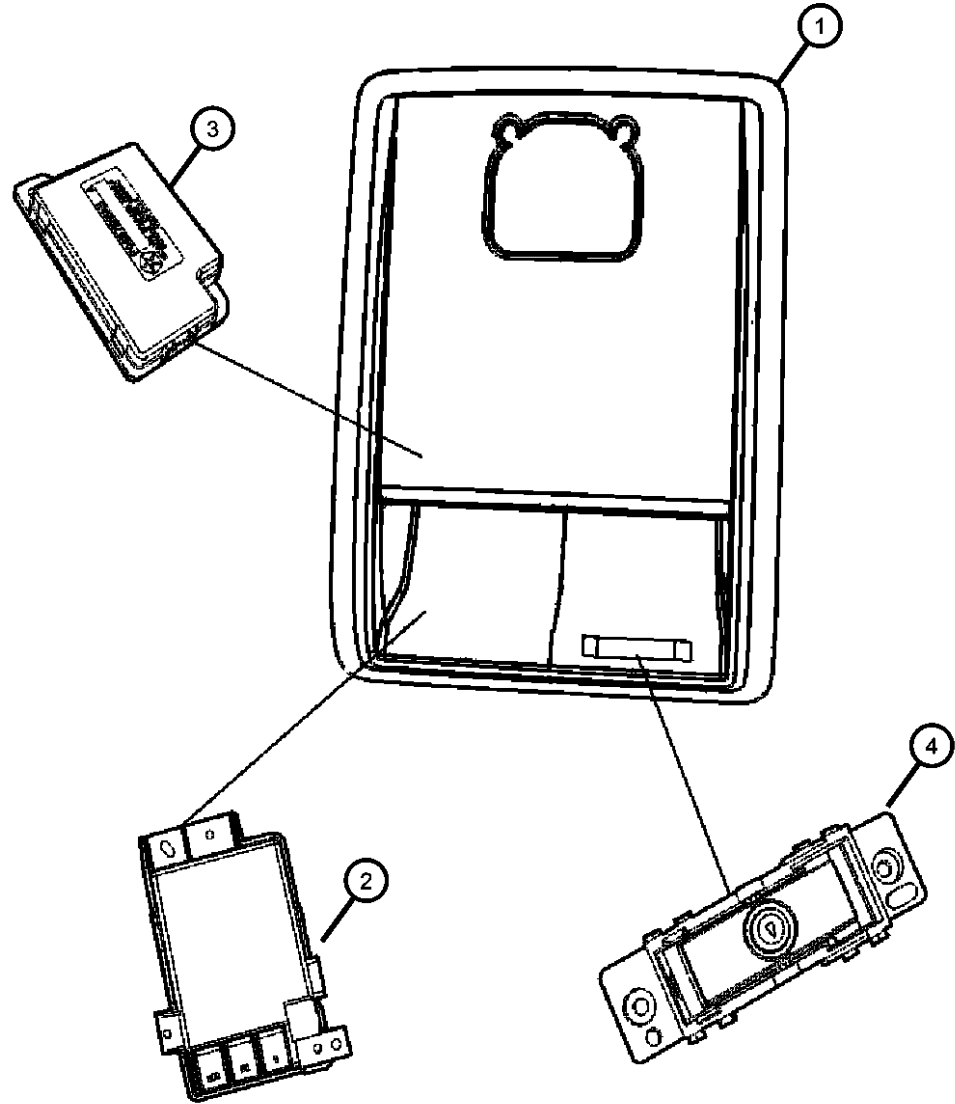
TRANSMISSION
DGQ = 5-Spd Automatic 5-45RFE Transmission
DGJ = 5-Speed Automatic MB Transmission

AR = use ase required - = Non illustrated part

2006 XK

Overhead Console
Figure 08A-410

ITEM	PART NUMBER	QTY	LINE	SERIES	BODY	ENGINE	TRANS	TRIM	DESCRIPTION
1	1DD741D1AA	1							HOUSING, Console [GWF]
	1DD951D1AA	1							[GNV]
	1DE021D1AA	1							
2	56054008AC	1							MODULE, Garage Door Opener
3	04671918AD	1							MODULE, Compass
4									SWITCH, Sunroof
	5KJ331D1AA	1							
	5KJ33DX9AA	1							Black
-5	05159062AA	2							CLIP, Console



NEW JEEP (XK)

SERIES LINE
H = HIGHLINE T = JEEP - 2WD
P = PREMIUM J = JEEP - 4WD

BODY
74 = SPORT UTILITY 4-DR

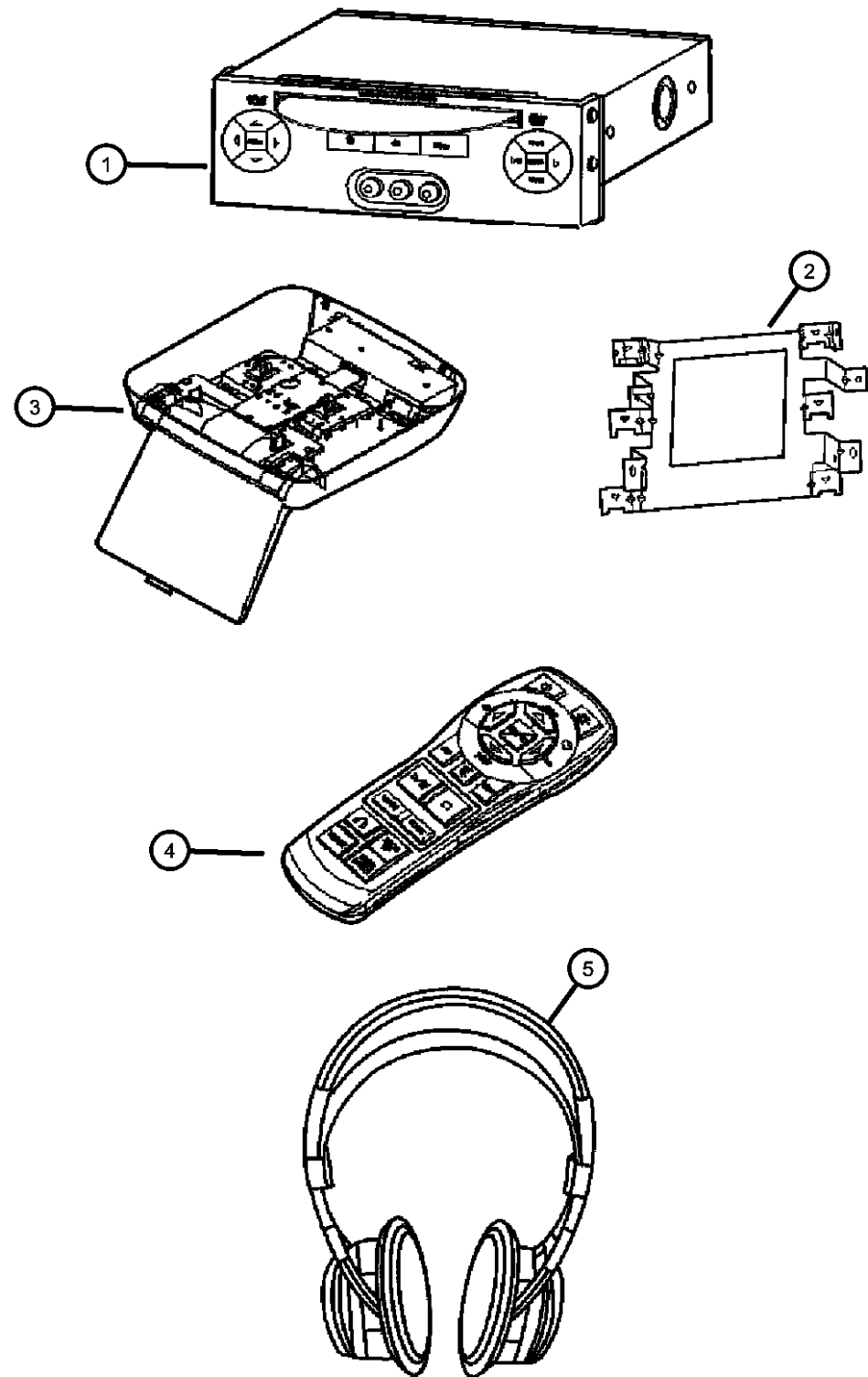
ENGINE
EKG = 3.7L V6 Engine
EVA = 4.7L V8 MPI Engine
EZB = 5.7L Hemi Multi
Displacement Engine

TRANSMISSION
DGQ = 5-Spd Automatic 5-45RFE
Transmission
DGJ = 5-Speed Automatic MB
Transmission

AR = use ase required - = Non illustrated part

2006 XK

DVD Player/Media System
Figure 08A-710



ITEM	PART NUMBER	QTY	LINE	SERIES	BODY	ENGINE	TRANS	TRIM	DESCRIPTION
1	56038783AD	1							PLAYER, DVD
2	05159015AB	1							BRACKET, Console
3	56038784AF	1							MEDIA SYSTEM, Monitor with DVD
4	05064041AA	1							REMOTE, Wireless Infrared, [XRV]
5	05064037AA	1							HEADPHONES, Wireless

NEW JEEP (XK)

SERIES LINE
H = HIGHLINE T = JEEP - 2WD
P = PREMIUM J = JEEP - 4WD

BODY
74 = SPORT UTILITY 4-DR

ENGINE
EKG = 3.7L V6 Engine
EVA = 4.7L V8 MPI Engine
EZB = 5.7L Hemi Multi Displacement Engine

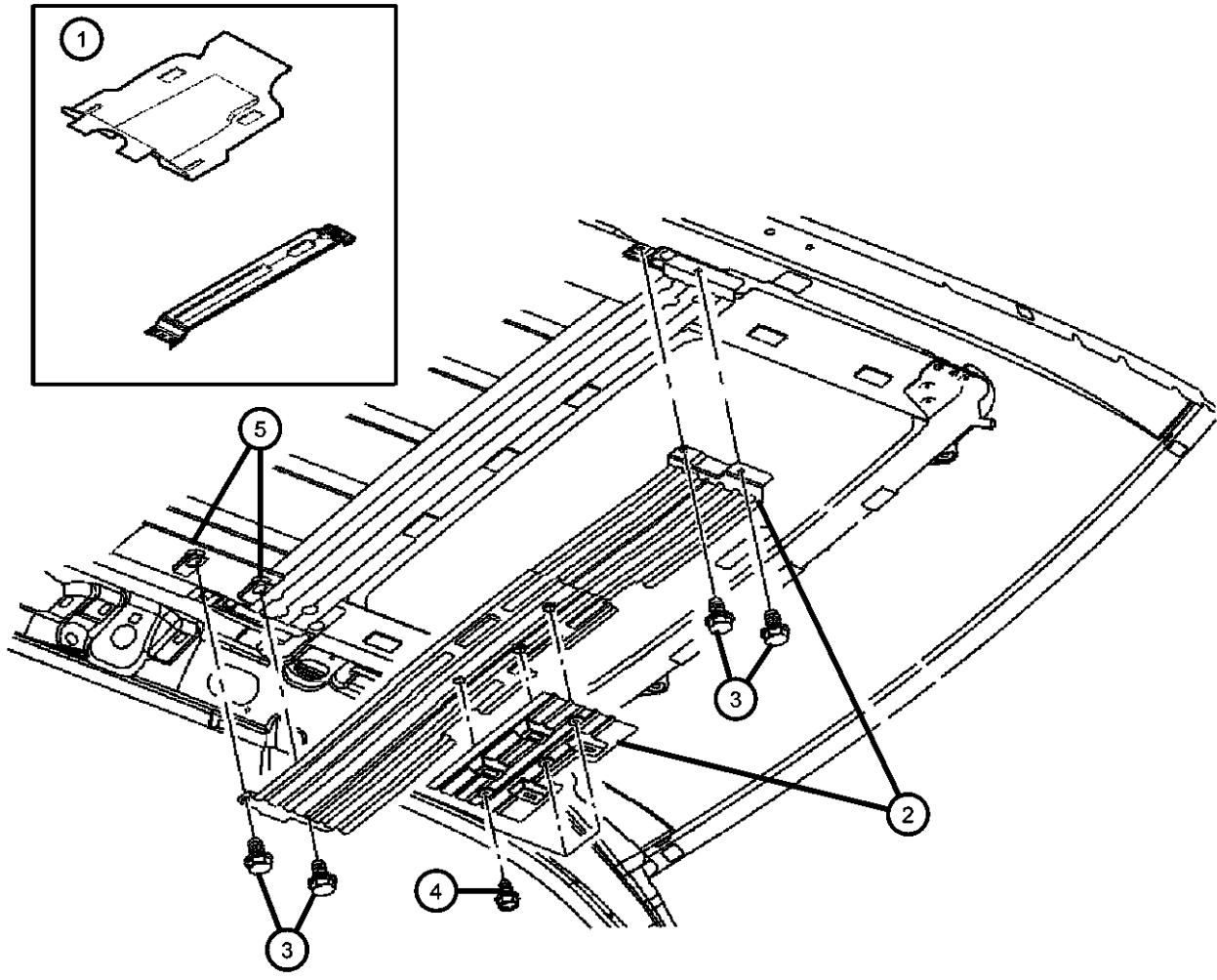
TRANSMISSION
DGQ = 5-Spd Automatic 5-45RFE Transmission
DGJ = 5-Speed Automatic MB Transmission

AR = use ase required - = Non illustrated part

2006 XK

**Media System Brackets
Figure 08A-720**

ITEM	PART NUMBER	QTY	LINE	SERIES	BODY	ENGINE	TRANS	TRIM	DESCRIPTION
1	05064333AA	1							BRACKET ASSY, REAR SEAT VIDEO
2	05082098AB	1							BRACKET ASSY, REAR SEAT VIDEO
3	06501714	4							SCREW AND WASHER, Hex Head, M6x1x18
4	06101682	4							BOLT AND CONED WASHER, Hex Head, M6x1.0x20
5	06506081AA	4							NUT, U



NEW JEEP (XK)

SERIES LINE
H = HIGHLINE T = JEEP - 2WD
P = PREMIUM J = JEEP - 4WD

BODY
74 = SPORT UTILITY 4-DR

ENGINE
EKG = 3.7L V6 Engine
EVA = 4.7L V8 MPI Engine
EZB = 5.7L Hemi Multi Displacement Engine

TRANSMISSION
DGQ = 5-Spd Automatic 5-45RFE Transmission
DGJ = 5-Speed Automatic MB Transmission

AR = use ase required - = Non illustrated part

Group - 9

Engine Mounting

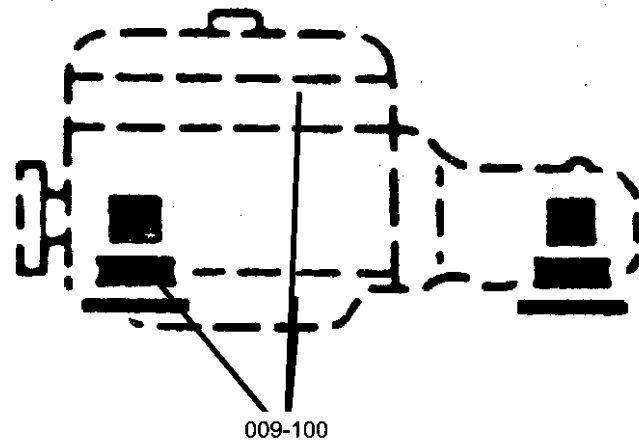
Group - 9 Engine Mounting

Illustration Title

Group-Fig. No.

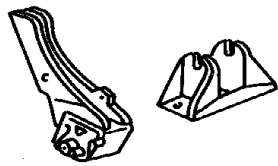
Engine Mounting

Mounts, Front.....	Fig. 9 - 110
Mounts, Front.....	Fig. 9 - 115
Mounts, Front.....	Fig. 9 - 120
Front Mounts To Cradle.....	Fig. 9 - 125
Mount, Transmission.....	Fig. 9 - 130
Mount, Transmission.....	Fig. 9 - 135
Mount, Transmission.....	Fig. 9 - 140
Crossmember, Transmission Support.....	Fig. 9 - 145
Collar, Structural.....	Fig. 9 - 150
Collar, Structural.....	Fig. 9 - 155



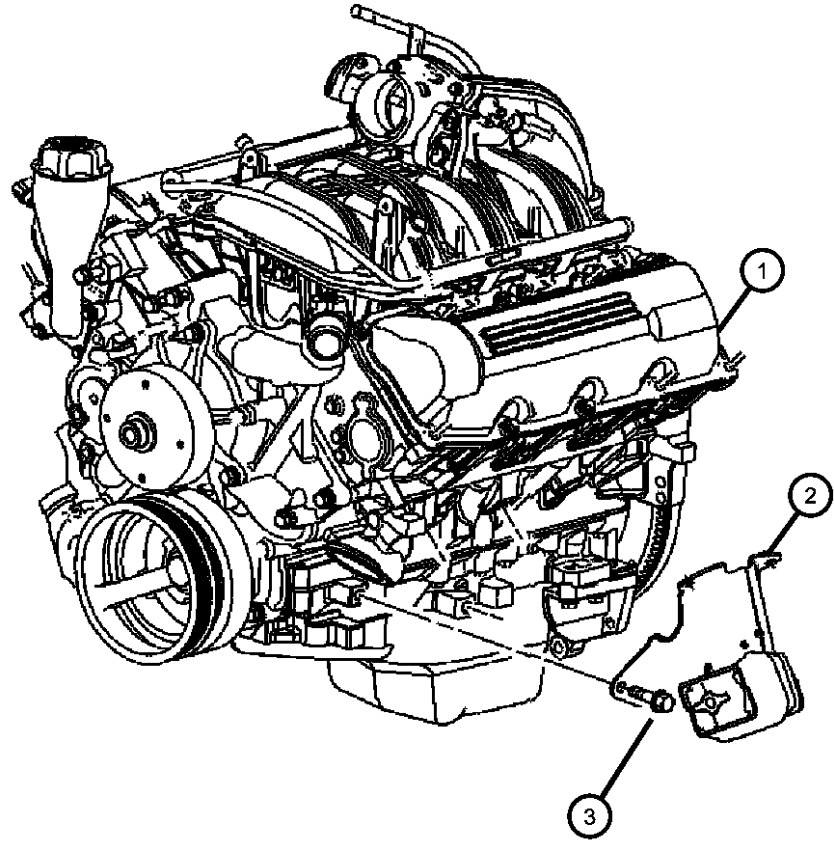
009-100

009-100
Engine Mounting



**Mounts, Front
Figure 9-110**

ITEM	PART NUMBER	QTY	LINE	SERIES	BODY	ENGINE	TRANS	TRIM	DESCRIPTION
NOTE: Sales Codes: [EK0]=All 3.7L V-6 Engines [EVO]=All 4.7L V-8 Engines									
1	06506081AA	4							ENGINE, Complete, See Engine Group, (NOT SERVICED)
2									BRACKET, Engine Mount
	52090296AD	1				EK0			Right
	52090297AD	1				EK0			Left
3	06104214AA	8				EK0, EVO			SCREW



NEW JEEP (XK)

SERIES	LINE
H = HIGHLINE	T = JEEP - 2WD
P = PREMIUM	J = JEEP - 4WD

BODY
74 = SPORT UTILITY 4-DR

ENGINE
EKG = 3.7L V6 Engine
EVA = 4.7L V8 MPI Engine
EZB = 5.7L Hemi Multi Displacement Engine

TRANSMISSION
DGQ = 5-Spd Automatic 5-45RFE Transmission
DGJ = 5-Speed Automatic MB Transmission

AR = use ase required - = Non illustrated part

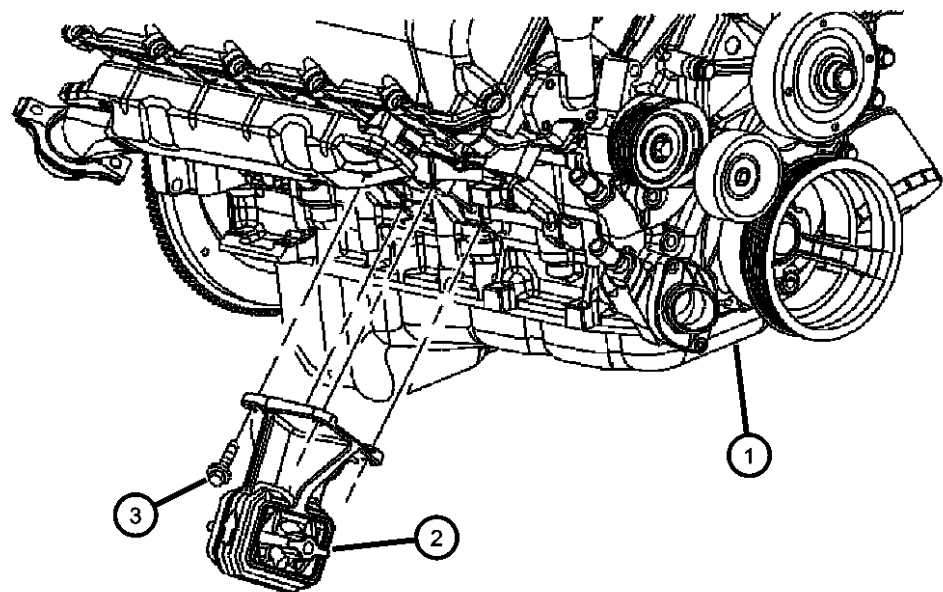
2006 XK

**Mounts, Front
Figure 9-115**

ITEM	PART NUMBER	QTY	LINE	SERIES	BODY	ENGINE	TRANS	TRIM	DESCRIPTION
------	-------------	-----	------	--------	------	--------	-------	------	-------------

NOTE:
Sales Codes:
[EK0]=All 3.7L V-6 Engines
[EVO]=All 4.7L V-8 Engines

1	06104214AA	8							ENGINE, Complete, See Engine Group, (NOT SERVICED)
2									BRACKET, Engine Mount
	52090300AE	1				EVO			Right
	52090301AE	1				EVO			Left
3	06104214AA	8				EK0, EVO			SCREW



NEW JEEP (XK)

SERIES LINE
H = HIGHLINE T = JEEP - 2WD
P = PREMIUM J = JEEP - 4WD

BODY
74 = SPORT UTILITY 4-DR

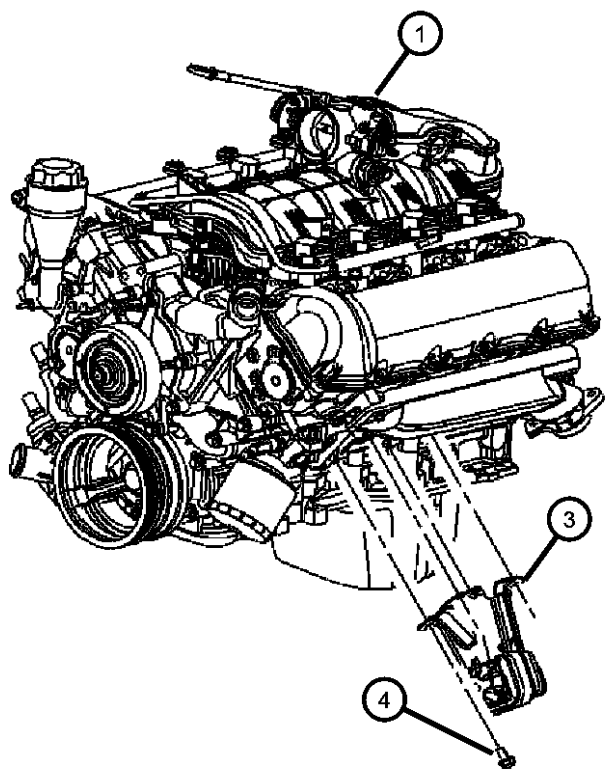
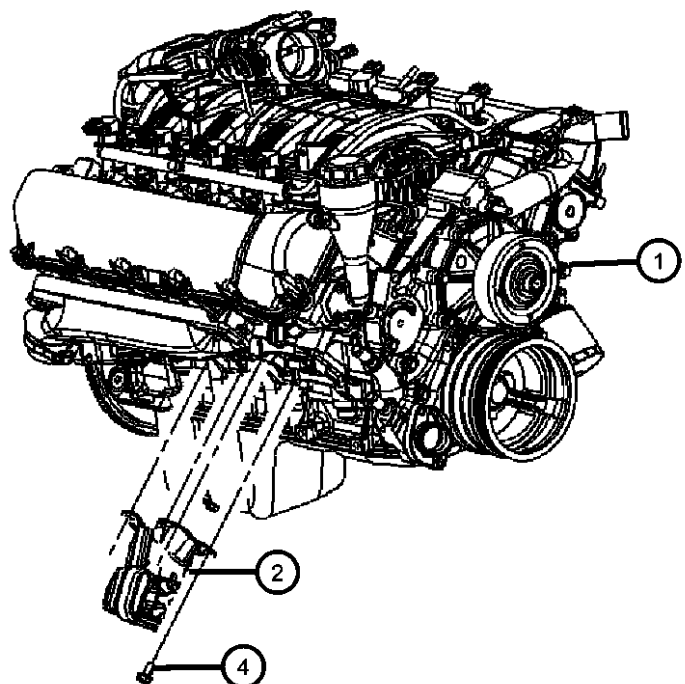
ENGINE
EKG = 3.7L V6 Engine
EVA = 4.7L V8 MPI Engine
EZB = 5.7L Hemi Multi Displacement Engine

TRANSMISSION
DGQ = 5-Spd Automatic 5-45RFE Transmission
DGJ = 5-Speed Automatic MB Transmission

AR = use ase required - = Non illustrated part

2006 XK

**Mounts, Front
Figure 9-120**



ITEM	PART NUMBER	QTY	LINE	SERIES	BODY	ENGINE	TRANS	TRIM	DESCRIPTION
------	-------------	-----	------	--------	------	--------	-------	------	-------------

NOTE:
Sales Codes:
[EZ0]=All 5.7L V-8 Engines

1	06104214AA	8							ENGINE, Complete, See Engine Group, (NOT SERVICED)
2	52090304AF	1				EZ0			BRACKET, Engine MountRight
3	52090305AE	1				EZ0			BRACKET, Engine MountLeft
4									SCREW
	06104214AA	4				EZ0			Right
		4				EZ0			Left

NEW JEEP (XK)

SERIES	LINE	BODY	ENGINE	TRANSMISSION
H = HIGHLINE	T = JEEP - 2WD	74 = SPORT UTILITY 4-DR	EKG = 3.7L V6 Engine	DGQ = 5-Spd Automatic 5-45RFE Transmission
P = PREMIUM	J = JEEP - 4WD		EVA = 4.7L V8 MPI Engine	DGJ = 5-Speed Automatic MB Transmission
			EZB = 5.7L Hemi Multi Displacement Engine	

AR = use ase required - = Non illustrated part

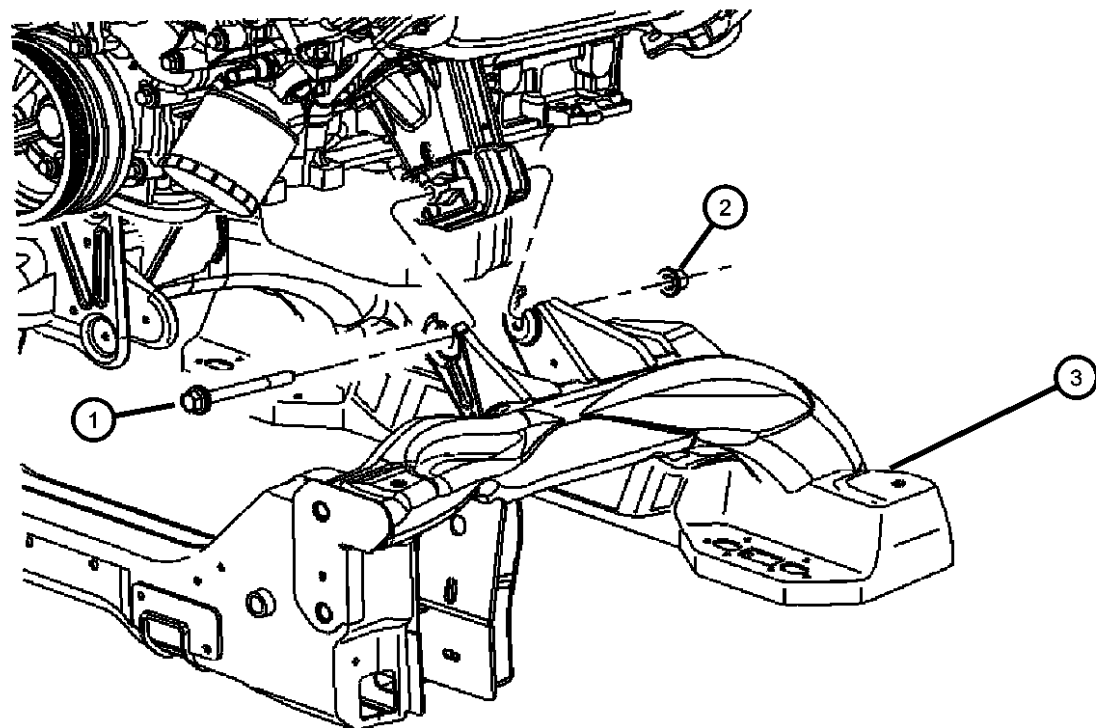
**Front Mounts To Cradle
Figure 9-125**

ITEM	PART NUMBER	QTY	LINE	SERIES	BODY	ENGINE	TRANS	TRIM	DESCRIPTION
------	-------------	-----	------	--------	------	--------	-------	------	-------------

NOTE:

Sales Codes:

1	06508081AA	2							SCREW AND WASHER, Hex Head
2	06502585	2							NUT
3	06502585	2							CRADLE, Front Suspension, See Group 002, (NOT SERVICED)



NEW JEEP (XK)

SERIES	LINE
H = HIGHLINE	T = JEEP - 2WD
P = PREMIUM	J = JEEP - 4WD

BODY
74 = SPORT UTILITY 4-DR

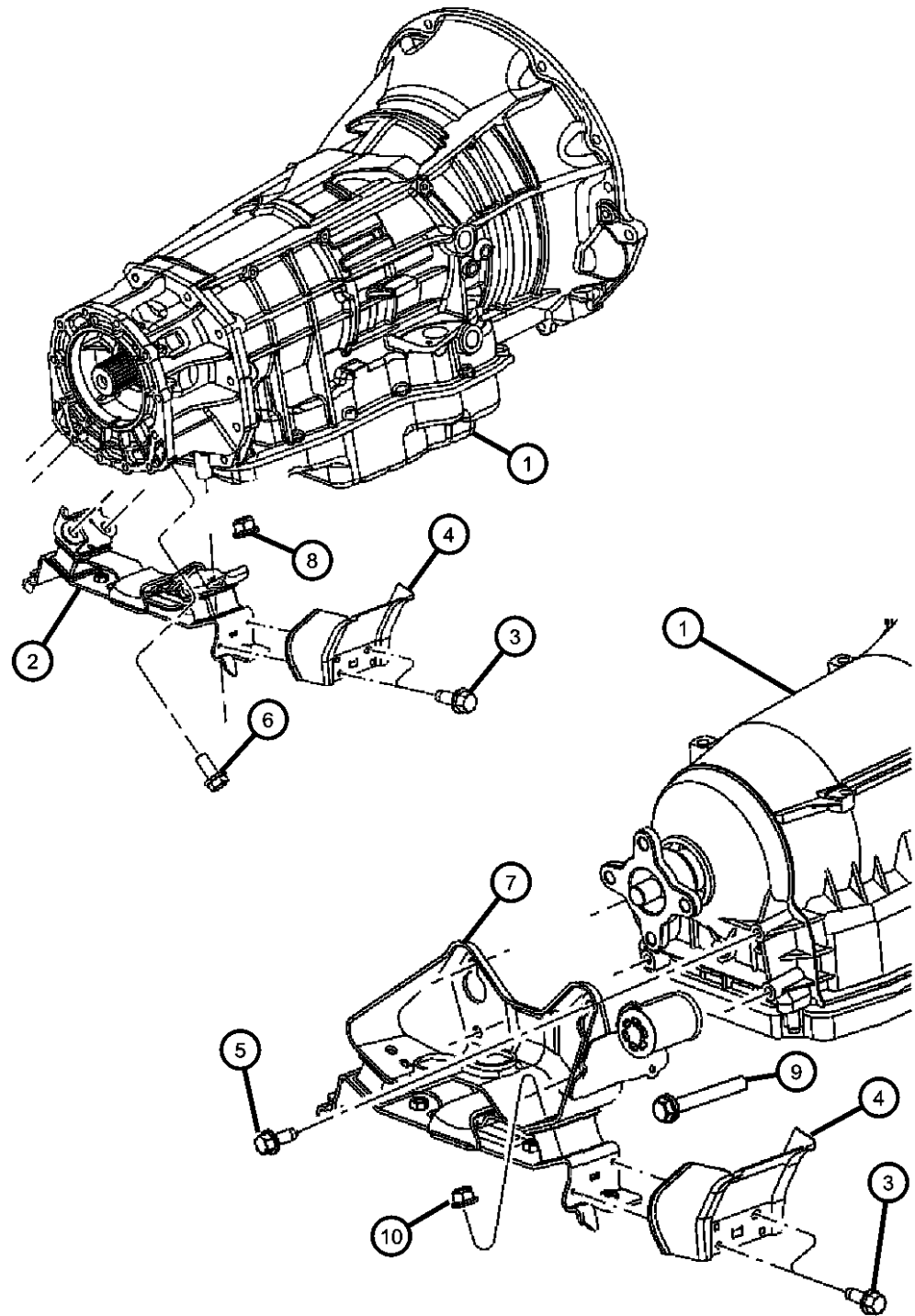
ENGINE
EKG = 3.7L V6 Engine
EVA = 4.7L V8 MPI Engine
EZB = 5.7L Hemi Multi Displacement Engine

TRANSMISSION
DGQ = 5-Spd Automatic 5-45RFE Transmission
DGJ = 5-Speed Automatic MB Transmission

AR = use ase required - = Non illustrated part

2006 XK

Mount, Transmission
Figure 9-130



ITEM	PART NUMBER	QTY	LINE	SERIES	BODY	ENGINE	TRANS	TRIM	DESCRIPTION
1	06502585	2							TRANSMISSION, See Transmission Group, (NOT SERVICED)
2	52089932AH	1	J			EK0	DG0		INSULATOR, Transmission support
3	06505911AA	2							SCREW, Hex Head
4	52124126AA	1							SHIELD, Heat
5	06101611	2	T			EK0	DG0		SCREW AND WASHER, Hex Head, M8x1.25x25
6	06104215AA	4	J						BOLT, Hex Flange Head, M10x1.50x25
7	52089934AJ	1	T			EK0	DG0		MOUNT, Transmission
8	06104717AA	2	J			EK0	DG0		NUT
9	06101959	1	T			EK0	DG0		SCREW AND WASHER
10	06104717AA	2	T			EK0	DG0		NUT

NOTE:
Sales Codes:
[DG0]=All Automatic Transmissions
[EK0]=All 3.7L V-6 Engines

NEW JEEP (XK)

SERIES LINE
H = HIGHLINE T = JEEP - 2WD
P = PREMIUM J = JEEP - 4WD

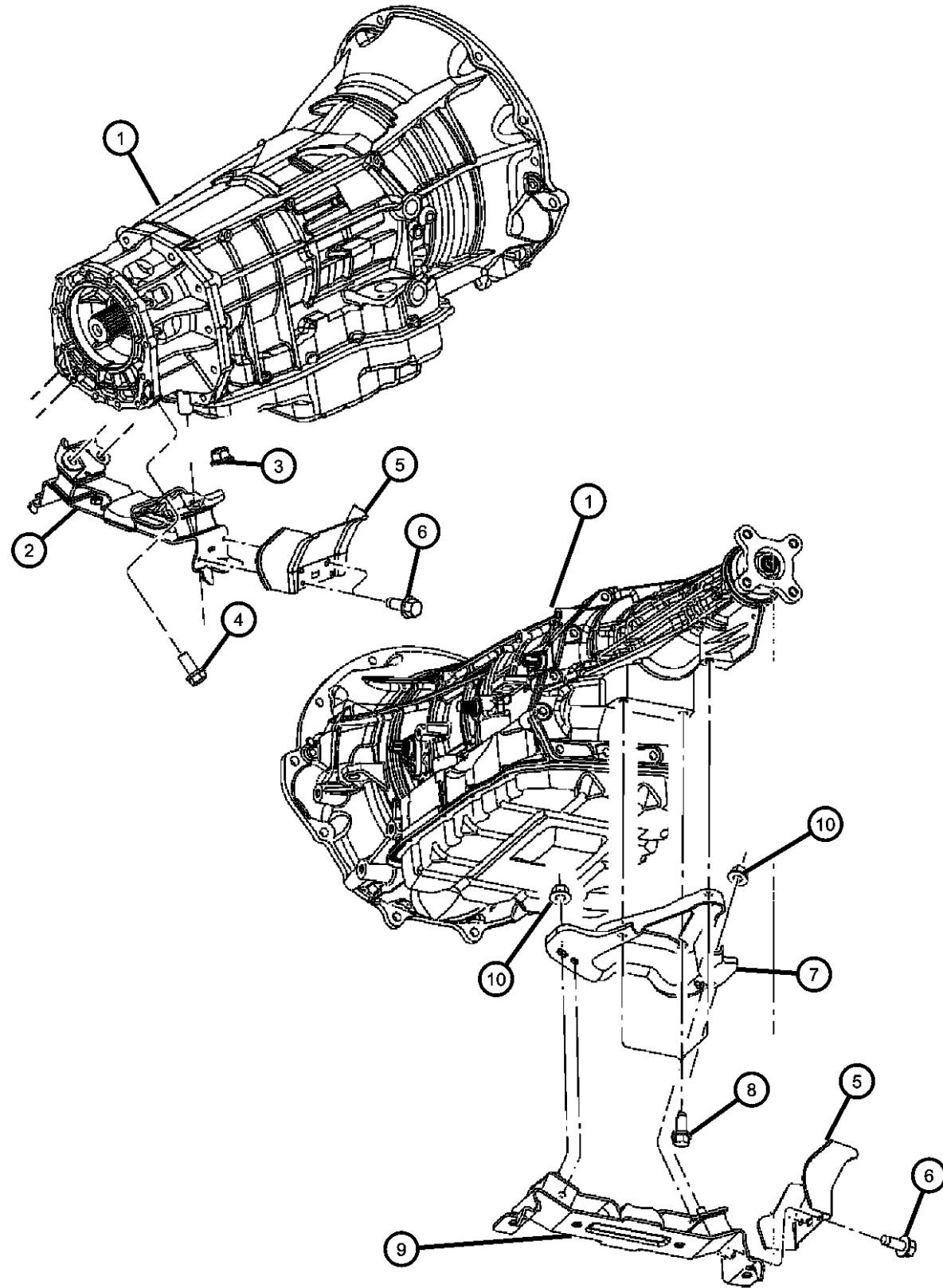
BODY
74 = SPORT UTILITY 4-DR

ENGINE
EKG = 3.7L V6 Engine
EVA = 4.7L V8 MPI Engine
EZB = 5.7L Hemi Multi Displacement Engine

TRANSMISSION
DGQ = 5-Spd Automatic 5-45RFE Transmission
DGJ = 5-Speed Automatic MB Transmission

AR = use ase required - = Non illustrated part

Mount, Transmission
Figure 9-135

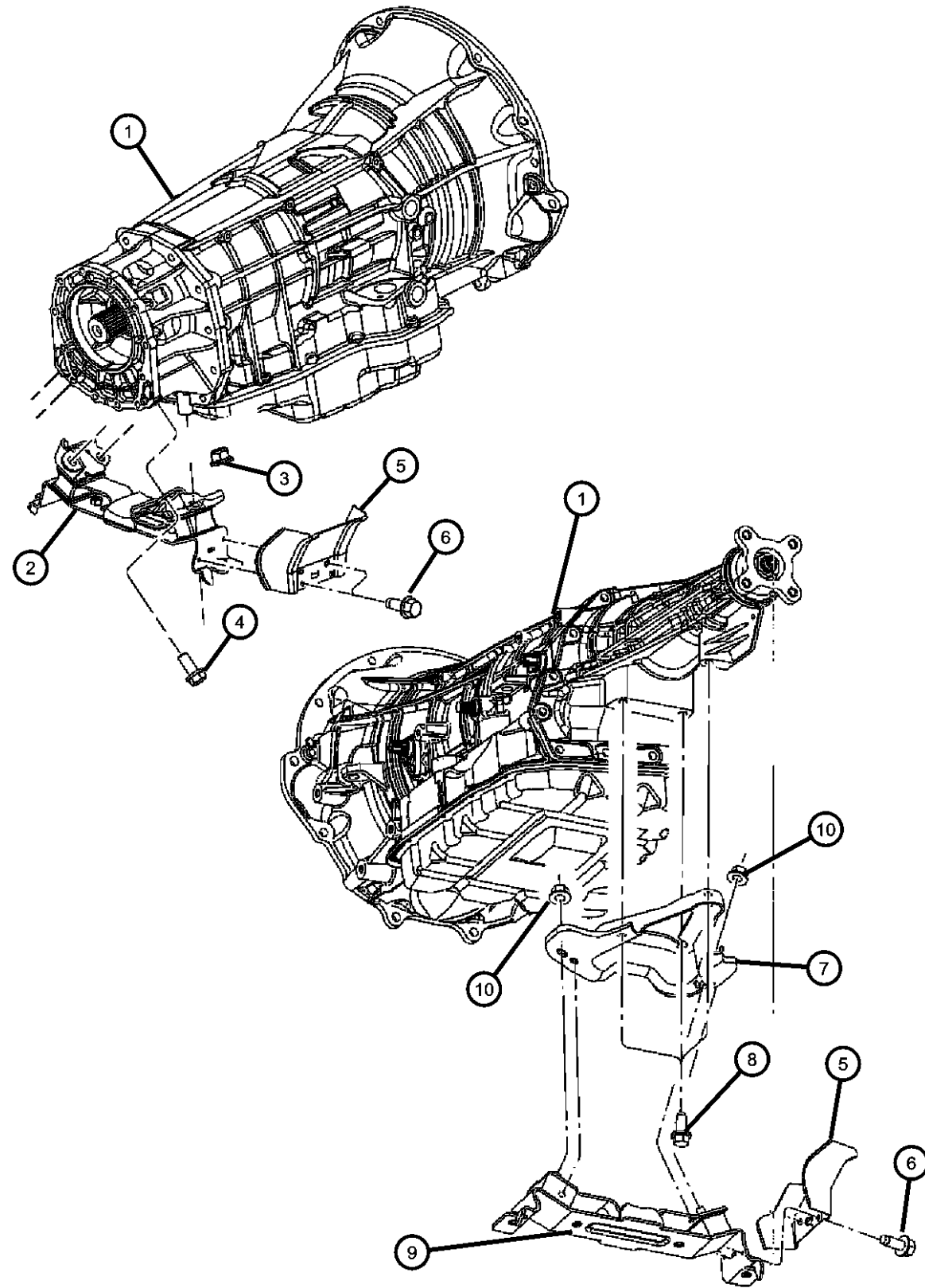


ITEM	PART NUMBER	QTY	LINE	SERIES	BODY	ENGINE	TRANS	TRIM	DESCRIPTION
NOTE: Sales Codes: [DG0]=All Automatic Transmissions [EV0]=All 4.7L V-8 Engines [EZ0]=All 5.7L V-8 Engines									
1	06104717AA	2							TRANSMISSION, See Transmission Group, (NOT SERVICED)
2	52089936AI	1	J			EV0	DG0		MOUNT, Transmission
3	06104717AA	2	J			EV0	DG0		NUT
4	06104215AA	4	J						BOLT, Hex Flange Head, M10x1.50x25
5	52124126AA	1							SHIELD, Heat
6	06505911AA	2							SCREW, Hex Head
7	52089933AB	1	T			EV0, EZ0	DG0		BRACKET, Insulator
8	06104215AA	3	T			EV0	DG0		BOLT, Hex Flange Head, M10x1.50x25
9	52089938AI	1	T			EV0	DG0		INSULATOR, Transmission support
10	06104717AA	2	T			EV0	DG0		NUT

NEW JEEP (XK)				
SERIES	LINE	BODY	ENGINE	TRANSMISSION
H = HIGHLINE	T = JEEP - 2WD	74 = SPORT UTILITY 4-DR	EKG = 3.7L V6 Engine	DGQ = 5-Spd Automatic 5-45RFE Transmission
P = PREMIUM	J = JEEP - 4WD		EVA = 4.7L V8 MPI Engine	DGJ = 5-Speed Automatic MB Transmission
			EZB = 5.7L Hemi Multi Displacement Engine	

AR = use ase required - = Non illustrated part

Mount, Transmission
Figure 9-140



ITEM	PART NUMBER	QTY	LINE	SERIES	BODY	ENGINE	TRANS	TRIM	DESCRIPTION
NOTE: Sales Codes: [DG0]=All Automatic Transmissions [EV0]=All 4.7L V-8 Engines [EZ0]=All 5.7L V-8 Engines									
1	06104717AA	2							TRANSMISSION, See Transmission Group, (NOT SERVICED)
2	52124104AC	1	J			EZ0	DG0		INSULATOR, Transmission support
3	06104717AA	2	J			EZ0	DG0		NUT
4	06104215AA	4	J						BOLT, Hex Flange Head, M10x1.50x25
5	52124126AA	1							SHIELD, Heat
6	06505911AA	2							SCREW, Hex Head
7	52089933AB	1	T			EV0, EZ0	DG0		BRACKET, Insulator
8	06104215AA	3	T			EV0	DG0		BOLT, Hex Flange Head, M10x1.50x25
9	52124133AB	1	T			EZ0	DG0		INSULATOR, Transmission support
10	06104717AA	2	T			EV0, EZ0	DG0		NUT

NEW JEEP (XK)

SERIES	LINE
H = HIGHLINE	T = JEEP - 2WD
P = PREMIUM	J = JEEP - 4WD

BODY
74 = SPORT UTILITY 4-DR

ENGINE
EKG = 3.7L V6 Engine
EVA = 4.7L V8 MPI Engine
EZB = 5.7L Hemi Multi Displacement Engine

TRANSMISSION
DGQ = 5-Spd Automatic 5-45RFE Transmission
DGJ = 5-Speed Automatic MB Transmission

AR = use ase required - = Non illustrated part

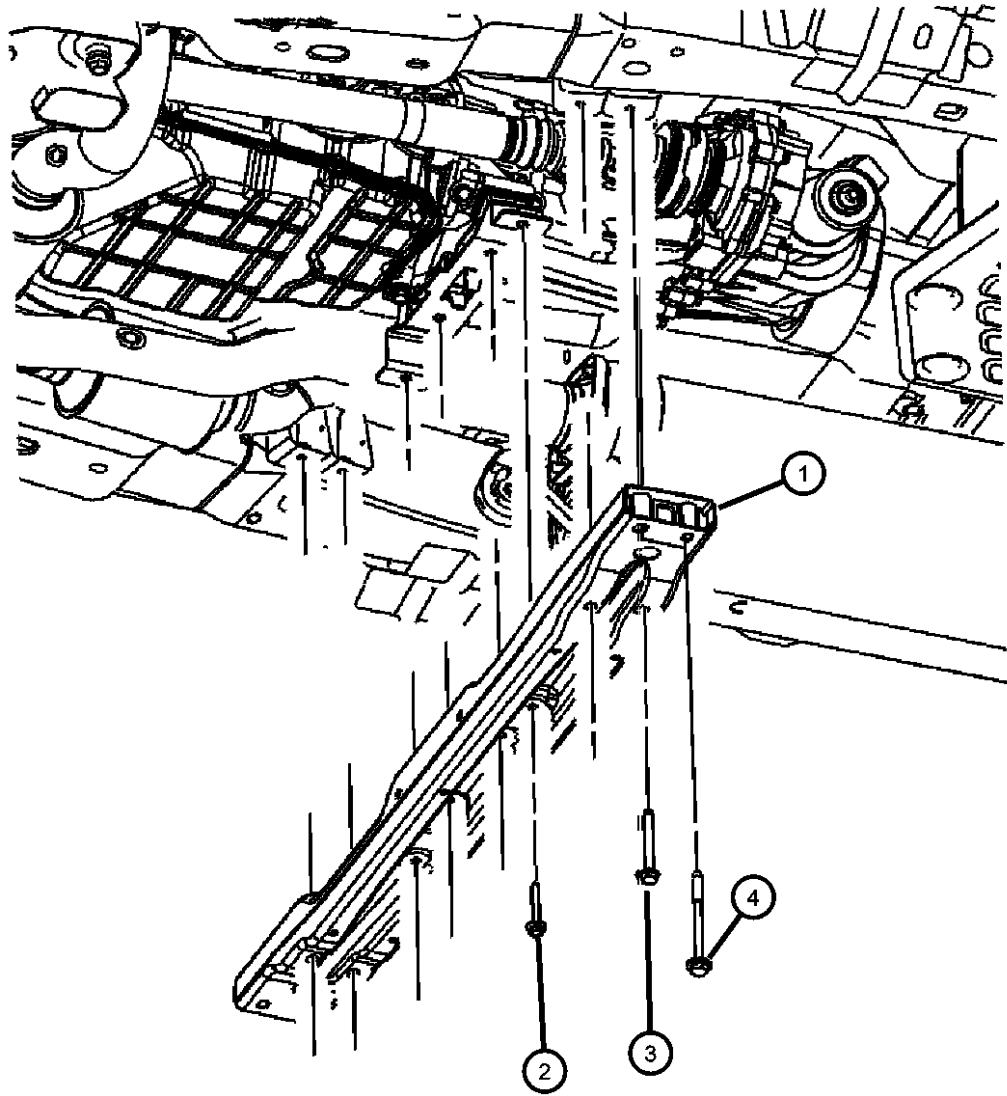
Crossmember, Transmission Support
Figure 9-145

ITEM	PART NUMBER	QTY	LINE	SERIES	BODY	ENGINE	TRANS	TRIM	DESCRIPTION
------	-------------	-----	------	--------	------	--------	-------	------	-------------

NOTE:
Sales Codes:

1	52090070AI	1							
2	06508082AA	2							
3	06104344AA	4							
4	06508083AA	4							

CROSSMEMBER, Transmission
 SCREW, [M8X1.25X58.00],
 Transmission Support Bracket to
 Crossmember
 SCREW, [M10X1.50X90.00], Inner
 Rail to Crossmember
 SCREW, Hex Flange Head,
 [M10X1.50X135.00], Transmission
 Support Crossmember to Sill
 (Outboard)



NEW JEEP (XK)

SERIES	LINE
H = HIGHLINE	T = JEEP - 2WD
P = PREMIUM	J = JEEP - 4WD

BODY
74 = SPORT UTILITY 4-DR

ENGINE
EKG = 3.7L V6 Engine
EVA = 4.7L V8 MPI Engine
EZB = 5.7L Hemi Multi Displacement Engine

TRANSMISSION
DGQ = 5-Spd Automatic 5-45RFE Transmission
DGJ = 5-Speed Automatic MB Transmission

AR = use ase required - = Non illustrated part

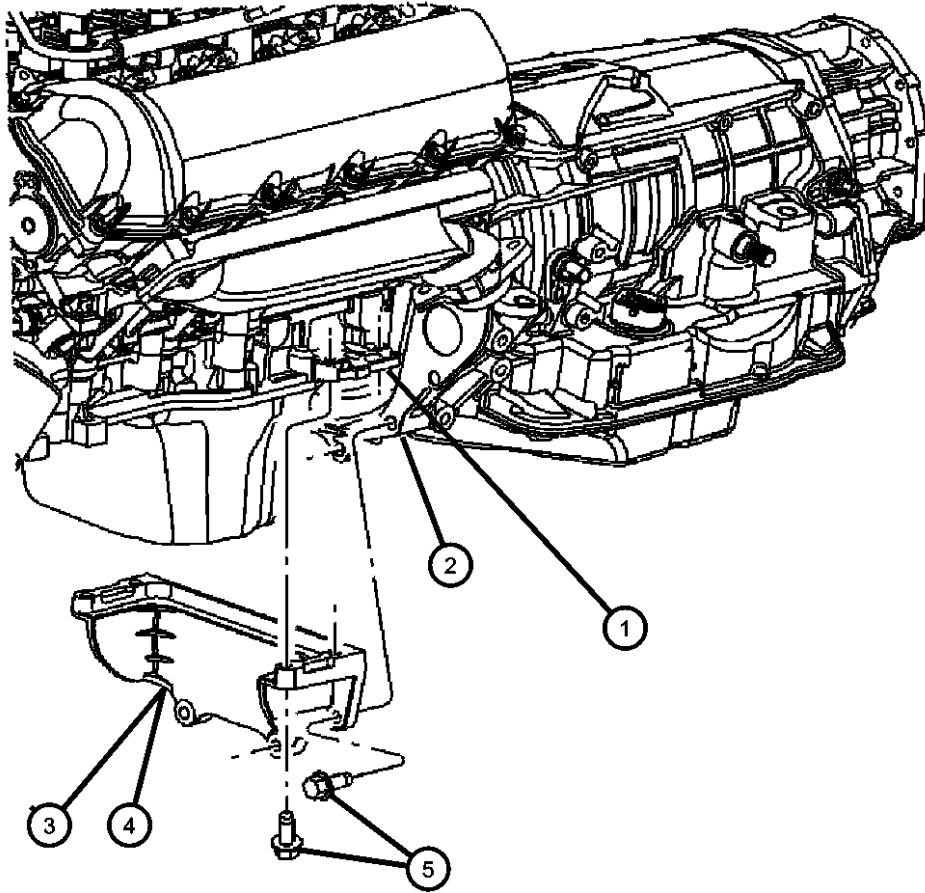
2006 XK

Collar, Structural
Figure 9-150

ITEM	PART NUMBER	QTY	LINE	SERIES	BODY	ENGINE	TRANS	TRIM	DESCRIPTION
------	-------------	-----	------	--------	------	--------	-------	------	-------------

NOTE:
Sales Codes:
[DG0]=All Automatic Transmissions
[EK0]=All 3.7L V-6 Engines
[EV0]=All 4.7L V-8 Engines

1	06508083AA	4							ENGINE, Complete, See Engine Group, (NOT SERVICED)
2	06508083AA	4							TRANSMISSION, See Transmission Group, (NOT SERVICED)
3	53021897AB	1	T			EK0	DG0		COVER, Engine
		1	J			EK0	DG0		Cover - Dust Structural
4	53020885	1				EV0	DG0		COVER, Bedplate, Cover - Dust Bedplate
5	06101985	8	T			EK0			SCREW AND WASHER, M10x1.50x45.00
		8				EV0			
		8	J			EK0			



NEW JEEP (XK)

SERIES	LINE
H = HIGHLINE	T = JEEP - 2WD
P = PREMIUM	J = JEEP - 4WD

BODY
74 = SPORT UTILITY 4-DR

ENGINE
EKG = 3.7L V6 Engine
EVA = 4.7L V8 MPI Engine
EZB = 5.7L Hemi Multi Displacement Engine

TRANSMISSION
DGQ = 5-Spd Automatic 5-45RFE Transmission
DGJ = 5-Speed Automatic MB Transmission

AR = use ase required - = Non illustrated part

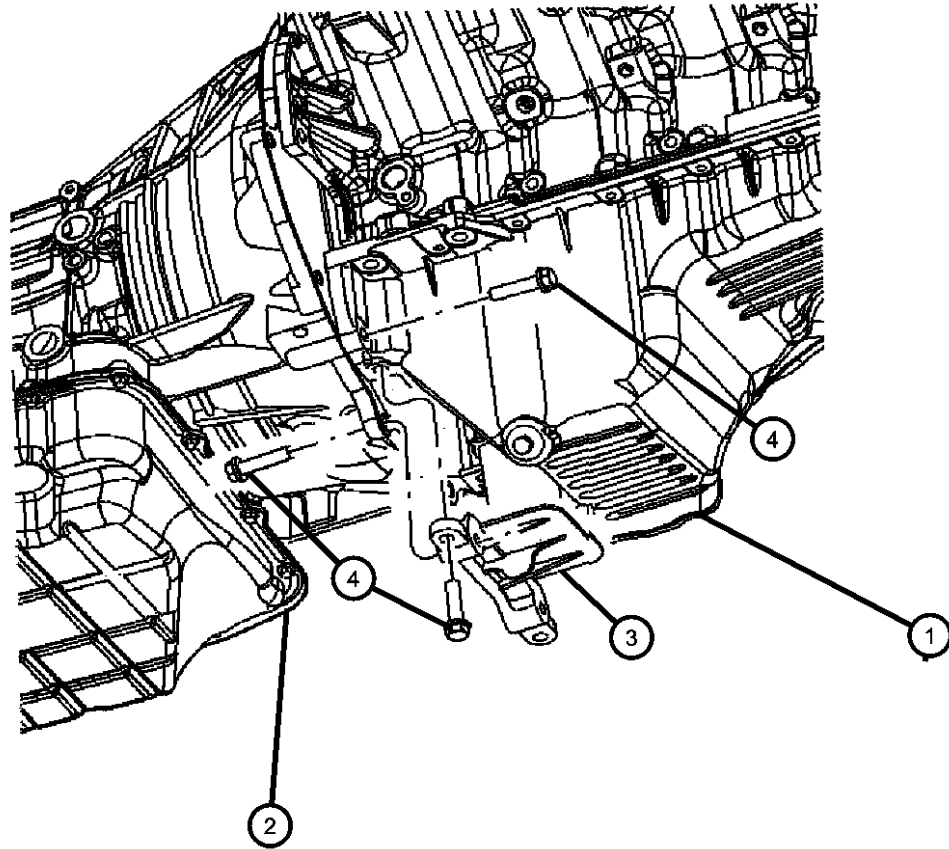
2006 XK

**Collar, Structural
Figure 9-155**

ITEM	PART NUMBER	QTY	LINE	SERIES	BODY	ENGINE	TRANS	TRIM	DESCRIPTION
------	-------------	-----	------	--------	------	--------	-------	------	-------------

NOTE:
Sales Codes:
[DG0]=All Automatic Transmissions
[EZ0]= All 5.7L V-8 Engines

1		8							ENGINE, Complete, See Engine Group, (NOT SERVICED)
2		8							TRANSMISSION, See Transmission Group, (NOT SERVICED)
3	53021898AB	1				EZ0	DG0		COVER, Engine, Cover - Structural Dust
4	06101985	6				EZ0			SCREW AND WASHER, M10x1.50x45.00



NEW JEEP (XK)

SERIES	LINE
H = HIGHLINE	T = JEEP - 2WD
P = PREMIUM	J = JEEP - 4WD

BODY
74 = SPORT UTILITY 4-DR

ENGINE
EKG = 3.7L V6 Engine
EVA = 4.7L V8 MPI Engine
EZB = 5.7L Hemi Multi Displacement Engine

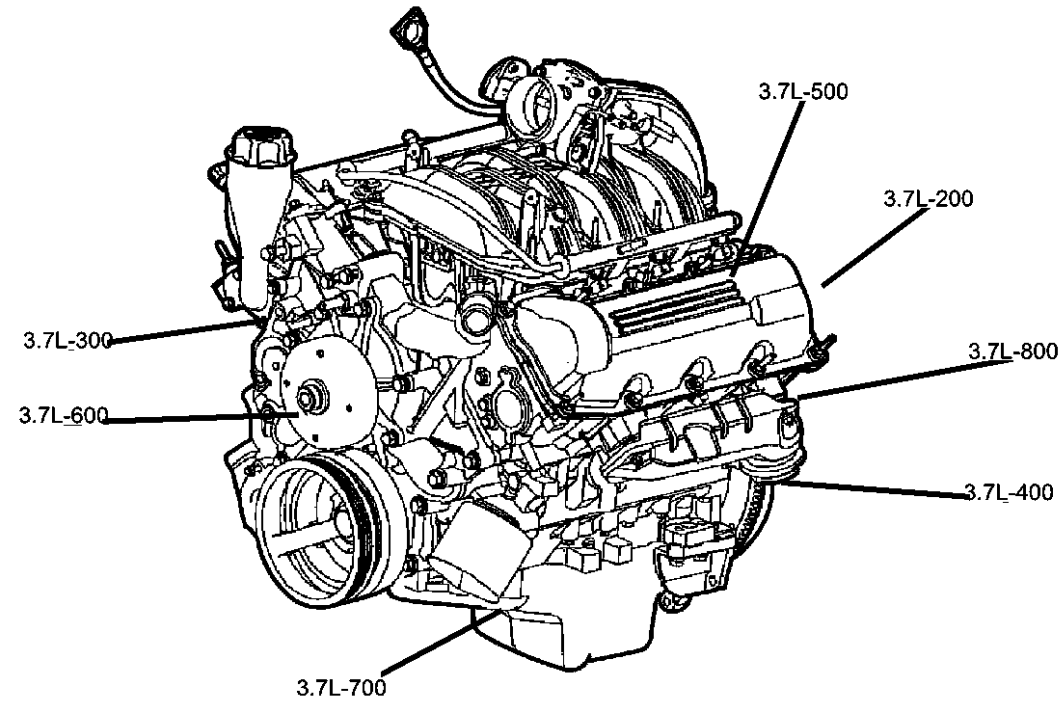
TRANSMISSION
DGQ = 5-Spd Automatic 5-45RFE Transmission
DGJ = 5-Speed Automatic MB Transmission

AR = use ase required - = Non illustrated part

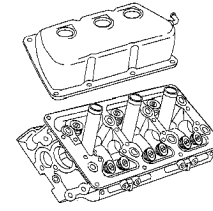
2006 XK

Group - 3.7L

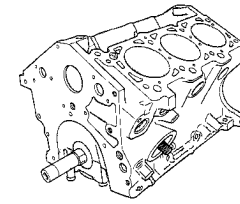
Engine 3.7L Six Cylinder [EKG]



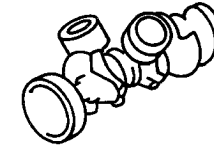
3.7L-200
Cylinder Head



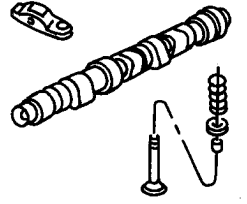
3.7L-300
Cylinder Block



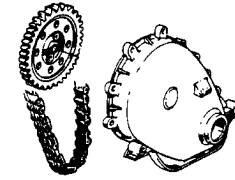
3.7L-400
Crankshaft, Piston and Torque Converter



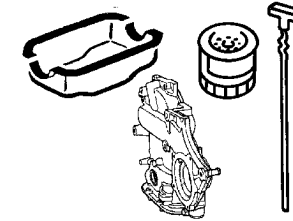
3.7L-500
Camshafts & Valves



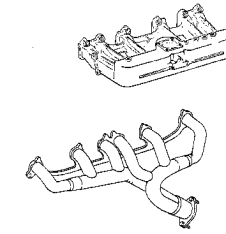
3.7L-600
Timing Belt and Cover



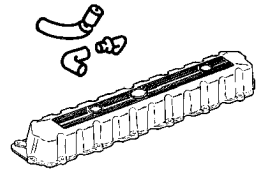
3.7L-700
Engine Oiling



3.7L-800
Manifolds



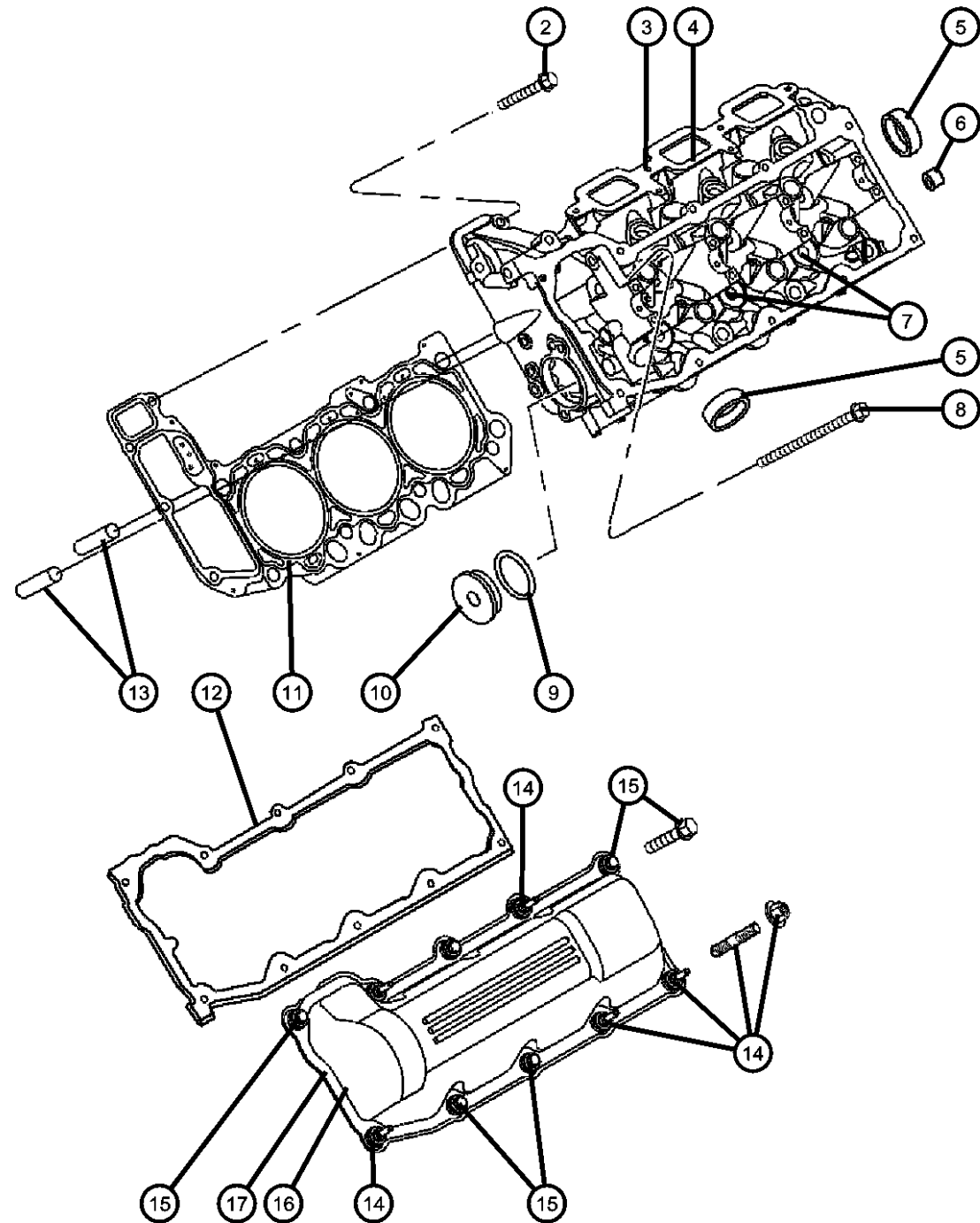
3.7L-900
Crankcase Ventilation



Group - 3.7L Engine 3.7L Six Cylinder [EKG]

Illustration Title	Group-Fig. No.
Cylinder Head	
Cylinder Head 3.7L [EKG]	Fig. 3.7L - 205
Cylinder Block	
Cylinder Block 3.7L [EKG]	Fig. 3.7L - 305
Crankshaft, Piston and Torque Converter	
Crankshaft, Piston and Torque Converter 3.7L [EKG]	Fig. 3.7L - 405
Camshafts & Valves	
Camshaft And Valves, 3.7L [EKG]	Fig. 3.7L - 505
Timing Belt and Cover	
Timing Cover 3.7L [EKG]	Fig. 3.7L - 605
Timing Chain And Guides, 3.7L [EKG]	Fig. 3.7L - 610
Engine Oiling	
Engine Oiling, 3.7L [EKG]	Fig. 3.7L - 705
Manifolds	
Manifolds, Intake and Exhasut 3.7L [EKG]	Fig. 3.7L - 805
Crankcase Ventilation	
Crankcase Ventilation, 3.7L [EKG]	Fig. 3.7L - 910

**Cylinder Head 3.7L [EKG]
Figure 3.7L-205**



ITEM	PART NUMBER	QTY	LINE	SERIES	BODY	ENGINE	TRANS	TRIM	DESCRIPTION
------	-------------	-----	------	--------	------	--------	-------	------	-------------

NOTE: Upper Gasket Package Contains: Cylinder Head and Cylinder Head Cover Gaskets, Intake and Exhaust Manifold Gaskets, Throttle Body Gaskets
Sales Codes:

- [DGJ] = 5-Speed Automatic W5A580 Transmission
- [DGQ] = 5-Speed Automatic 5-45RFE Transmission
- [DG0] = All Automatic Transmissions
- [EKG] = 3.7L "Magnum" V-6 Engine
- [EK0] = All 3.7L 6-Cylinder Gas Engines
- [EVA] = 4.7L "Magnum" V-8 Engine
- [EV0] = All 4.7L 8-Cylinder Gas Engines
- [EZB] = 5.7L Hemi Multi Displacement Engine
- [EZ0] = All 5.7L 8-Cylinder Gas Engines
- [NAA] = Federal Emissions
- [NAE] = California Emissions
- [NAS] = 50 State Emissions

-1	05170703AA	1				EK0	DG0		GASKET PACKAGE, Engine Upper, See Note
2	06506785AA	8				EK0			SCREW AND WASHER, Hex Head, Cylinder Head to Block, Mounting
3	53020987AC	1				EK0			HEAD, Cylinder, Left
4	53020988AC	1				EK0			HEAD, Cylinder, Right
5	04556020	2				EK0			PLUG, Core, 1.25 Diameter, Water Jacket Core
6	06036307AA	1				EK0			PLUG, Oil Gallery .25-18x.413, Rear of Head
7									PLUG, Hex Socket, 3/8-18NPTx.475
	06034331	2				EK0			Left Head
		2				EK0			Right Head
8	06505528AA	16				EK0			SCREW AND WASHER, Hex Head, Cylinder Head to Block, Mounting
9	53021032	1				EK0, EV0			O RING, Access Hole Plug, Mounting
10	53021031	1				EK0, EV0			PLUG, Access Hole, With O Ring
11	53020989	2				EK0			GASKET, Cylinder Head
12									GASKET, Valve Cover
	53021958AA	1				EK0			For Plastic Cylinder Head Covers, Right
	53021959AA	1				EK0			For Plastic Cylinder Head Covers, Left
13	05240849	4				EK0, EV0			DOWEL, Block to Cylinder Head, Mounting
14	05240849	4							STUD, Serviced With Valve Cover, (NOT SERVICED)
15									SCREW

NEW JEEP (XK)

SERIES LINE
H = HIGHLINE T = JEEP - 2WD
P = PREMIUM J = JEEP - 4WD

BODY
74 = SPORT UTILITY 4-DR

ENGINE
EKG = 3.7L V6 Engine
EVA = 4.7L V8 MPI Engine
EZB = 5.7L Hemi Multi Displacement Engine

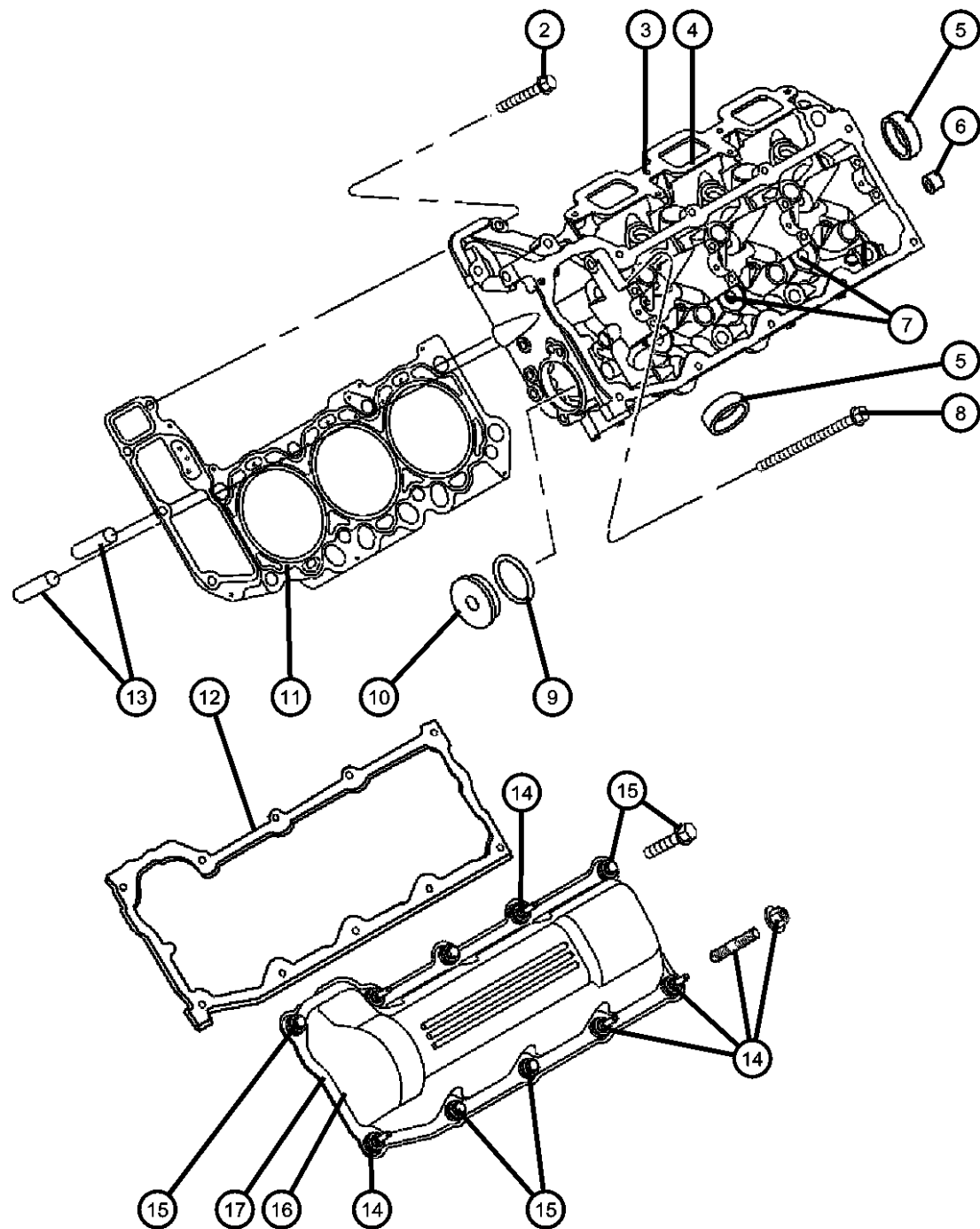
TRANSMISSION
DGQ = 5-Spd Automatic 5-45RFE Transmission
DGJ = 5-Speed Automatic MB Transmission

AR = use ase required - = Non illustrated part

2006 XK

**Cylinder Head 3.7L [EKG]
Figure 3.7L-205**

ITEM	PART NUMBER	QTY	LINE	SERIES	BODY	ENGINE	TRANS	TRIM	DESCRIPTION
	06508296AA	4				EK0			For Plastic Cylinder Head Covers, Right
		5				EK0			For Plastic Cylinder Head Covers, Left
16	53021937AA	1				EK0			COVER, Cylinder Head, Left, Plastic Cover, with Gasket and Screws, Left
17	53021938AA	1				EK0			COVER, Cylinder Head, Right, Plastic Cover, with Gasket and Screws, Right



NEW JEEP (XK)

SERIES	LINE
H = HIGHLINE	T = JEEP - 2WD
P = PREMIUM	J = JEEP - 4WD

BODY
74 = SPORT UTILITY 4-DR

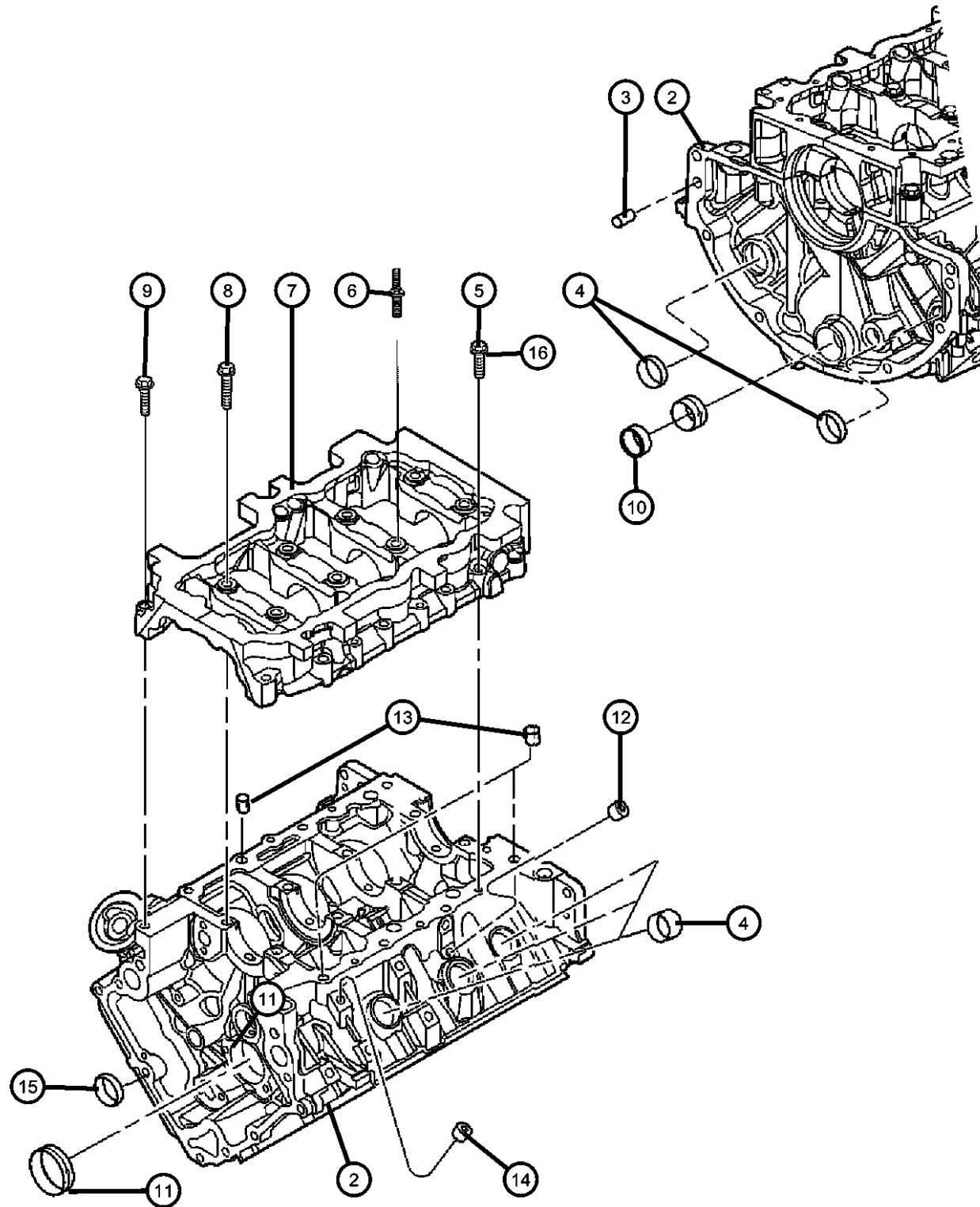
ENGINE
EKG = 3.7L V6 Engine
EVA = 4.7L V8 MPI Engine
EZB = 5.7L Hemi Multi Displacement Engine

TRANSMISSION
DGQ = 5-Spd Automatic 5-45RFE Transmission
DGJ = 5-Speed Automatic MB Transmission

AR = use ase required - = Non illustrated part

2006 XK

**Cylinder Block 3.7L [EKG]
Figure 3.7L-305**



ITEM	PART NUMBER	QTY	LINE	SERIES	BODY	ENGINE	TRANS	TRIM	DESCRIPTION
------	-------------	-----	------	--------	------	--------	-------	------	-------------

NOTE: Lower Gasket Package contains: Front and Rear Crankshaft Seals, Oil Pick Up Tube Seal; Oil Pan, Chain Case and Water Pump Gaskets;
Sales Codes:

[DGJ] = 5-Speed Automatic W5A580 Transmission
[DGQ] = 5-Speed Automatic 5-45RFE Transmission
[DG0] = All Automatic Transmissions
[EKG] = 3.7L "Magnum" V-6 Engine
[EK0] = All 3.7L 6-Cylinder Gas Engines
[EVA] = 4.7L "Magnum" V-8 Engine
[EV0] = All 4.7L 8-Cylinder Gas Engines
[EZB] = 5.7L Hemi Multi Displacement Engine
[EZ0] = All 5.7L 8-Cylinder Gas Engines
[NAA] = Federal Emissions
[NAE] = California Emissions
[NAS] = 50 State Emissions

-1	05135793AA	1				EK0	DG0		GASKET PACKAGE, Engine Lower, See Note
2	05174604AA	1				EK0	DG0		BLOCK, SHORT
3	01122532	2				EK0, EV0			DOWEL, Block To Clutch Housing, Or Transmission, Mounting
4	06034804	8				EK0			PLUG, Core, 1.39 Diameter
5	06102156AA	5				EK0			SCREW, Hex Flange Head, M8x1.25x44, BedPlate to Cylinder Block
6	06508259AA	1				EK0			STUD, BedPlate to Cylinder Block
7	06508259AA	1							BEDPLATE, Serviced With Short Block, (NOT SERVICED)
8	06505394AA	6				EK0			SCREW AND WASHER, BedPlate to Cylinder Block
9	06504410	7				EK0			SCREW, Hex Head, BedPlate to Cylinder Block
10	04663942	1				EK0			PLUG, Core, 1.50 Diameter
11	05083878AA	1				EK0			BEARING PACKAGE, Balance Shaft
12	06036307AA	3				EK0			PLUG, Cylinder Block Coolant Drain
13	53010533AA	5				EK0			DOWEL, Cylinder Block to Bedplate
14	06036114AA	4				EK0, EV0			PLUG, Pipe, Cylinder Block Oil Hole, [.50-14x.56]
15	06034804	8				EK0			PLUG, Core, 1.39 Diameter
16	06036119AA	1				EK0			WASHER

NEW JEEP (XK)

SERIES LINE
H = HIGHLINE T = JEEP - 2WD
P = PREMIUM J = JEEP - 4WD

BODY
74 = SPORT UTILITY 4-DR

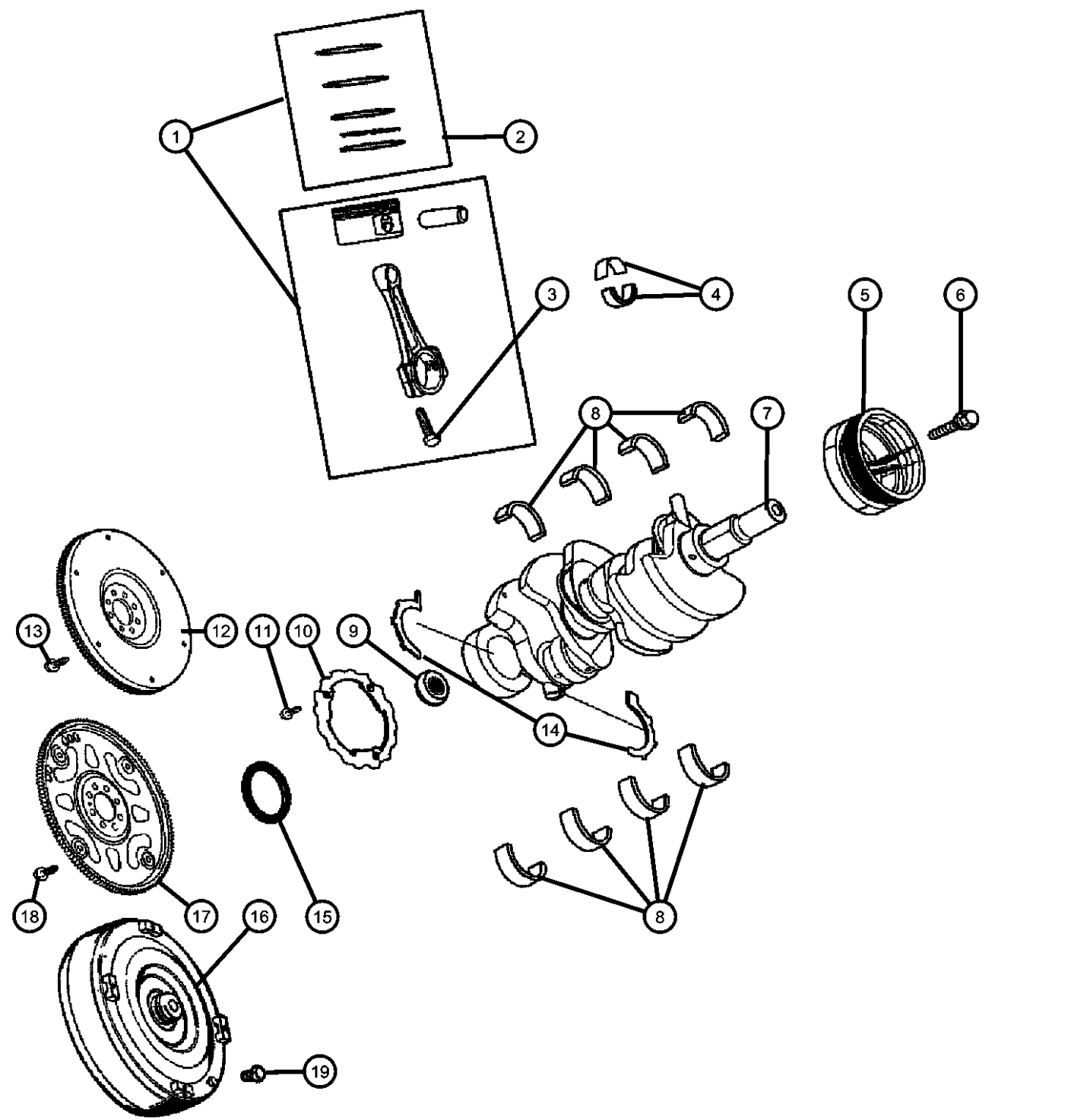
ENGINE
EKG = 3.7L V6 Engine
EVA = 4.7L V8 MPI Engine
EZB = 5.7L Hemi Multi Displacement Engine

TRANSMISSION
DGQ = 5-Spd Automatic 5-45RFE Transmission
DGJ = 5-Speed Automatic MB Transmission

AR = use ase required - = Non illustrated part

2006 XK

**Crankshaft, Piston and Torque Converter 3.7L [EKG]
Figure 3.7L-405**



ITEM	PART NUMBER	QTY	LINE	SERIES	BODY	ENGINE	TRANS	TRIM	DESCRIPTION
------	-------------	-----	------	--------	------	--------	-------	------	-------------

NOTE: For Crankshaft Identification, Stamping Location and Bearing Information Refer to the Service Manual.
For Bearing Selection Sizes Please Refer To Service Manual Group 9, Bearings Crankshaft Main, [Select Fit Identification]

Sales Codes:

- [DGJ] = 5-Speed Automatic W5A580 Transmission
- [DGQ] = 5-Speed Automatic 5-45RFE Transmission
- [DG0] = All Automatic Transmissions
- [EKG] = 3.7L "Magnum" V-6 Engine
- [EK0] = All 3.7L 6-Cylinder Gas Engines
- [EVA] = 4.7L "Magnum" V-8 Engine
- [EV0] = All 4.7L 8-Cylinder Gas Engines
- [EZB] = 5.7L Hemi Multi Displacement Engine
- [EZ0] = All 5.7L 8-Cylinder Gas Engines
- [NAA] = Federal Emissions
- [NAE] = California Emissions
- [NAS] = 50 State Emissions

1	05019316AA	1				EK0	DG0		PISTON PIN AND ROD, STD, Qty Of [6] Per Engine
2	05012364AD	6				EK0			RING PACKAGE, Piston, Standard Size
3	06503928	12				EK0			BOLT, Connecting Rod
4	05019447AA	6				EK0			BEARING PACKAGE, Connecting Rod, Standard
5	53020689AB	1				EK0, EVA			DAMPER, Crankshaft
6	06504415	1				EK0, EV0			SCREW AND WASHER, Damper/Pulley to Crankshaft, Mounting
7	53020959AB	1				EK0			CRANKSHAFT
8									BEARING PACKAGE, Crankshaft, A Grade
	05066733AB	4				EK0			[R] Crankshaft Mains 1 and 4
	05066734AB	4				EK0	DG0		[R] Crankshaft Mains 2 and 3
	05066735AB	4				EK0			[S] Crankshaft Mains 1 and 4
	05066736AB	4				EK0			[S] Crankshaft Mains 2 and 3
	05066737AB	4				EK0			[T] Crankshaft Mains 1 and 4
	05066738AB	4				EK0			[T] Crankshaft Mains 2 and 3
	05066739AB	4				EK0			[U] Crankshaft Mains 1 and 4
	05066740AB	4				EK0	DG0		[U] Crankshaft Mains 2 and 3
9	05066740AB	4							BEARING, Pilot, For Manual Transmission Only, (NOT REQUIRED),
10	05066740AB	4							RING, Tone, Serviced with Crankshaft, (NOT SERVICED)
11	06504480	3				EK0			SCREW, M6x1x25, Tone Ring, Mounting
12	06504480	3							FLYWHEEL, (NOT REQUIRED)

NEW JEEP (XK)

SERIES LINE
H = HIGHLINE T = JEEP - 2WD
P = PREMIUM J = JEEP - 4WD

BODY
74 = SPORT UTILITY 4-DR

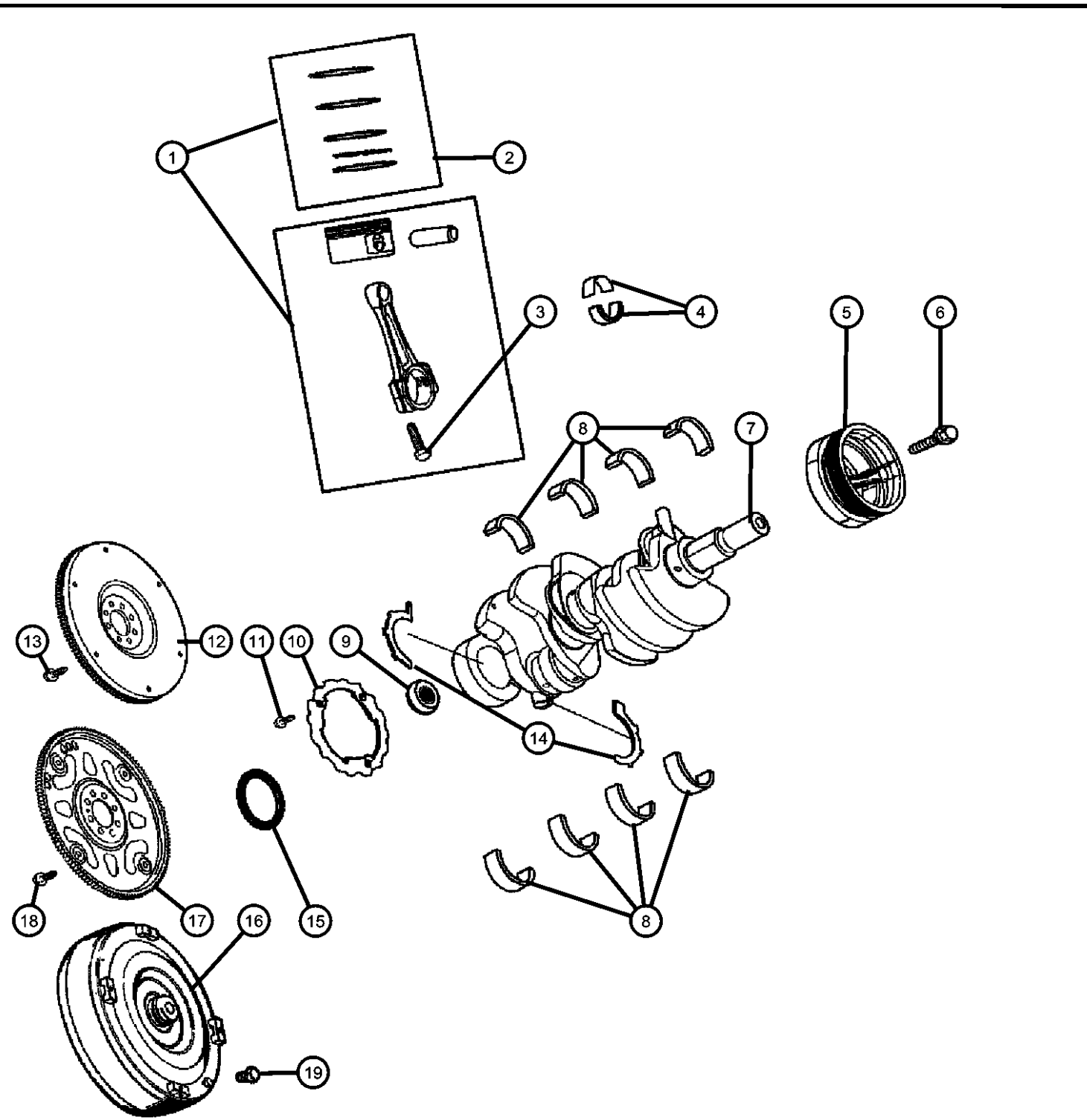
ENGINE
EKG = 3.7L V6 Engine
EVA = 4.7L V8 MPI Engine
EZB = 5.7L Hemi Multi Displacement Engine

TRANSMISSION
DGQ = 5-Spd Automatic 5-45RFE Transmission
DGJ = 5-Speed Automatic MB Transmission

AR = use ase required - = Non illustrated part

2006 XK

**Crankshaft, Piston and Torque Converter 3.7L [EKG]
Figure 3.7L-405**

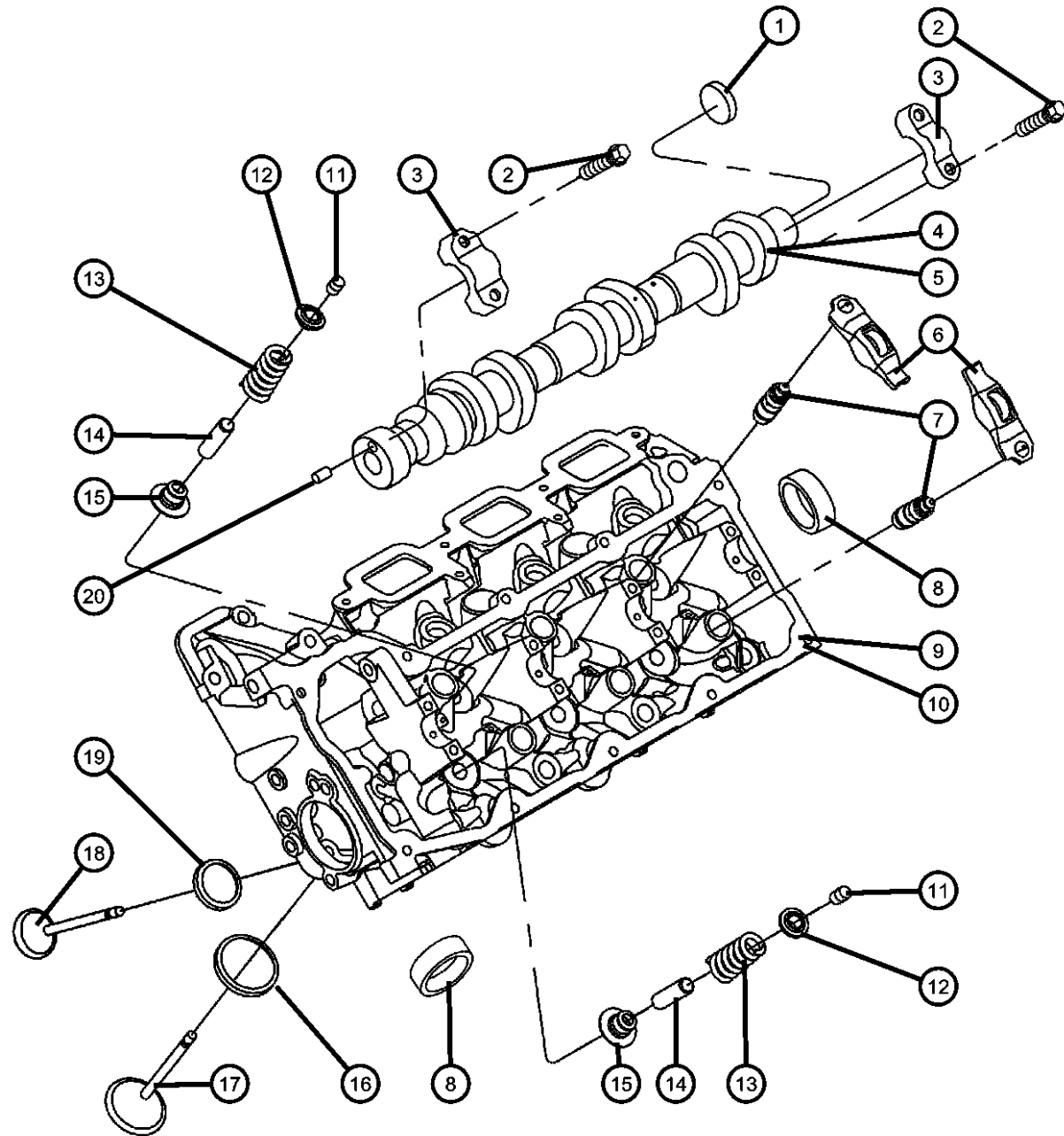


ITEM	PART NUMBER	QTY	LINE	SERIES	BODY	ENGINE	TRANS	TRIM	DESCRIPTION
13	06504480	3							BOLT, Flywheel, (NOT REQUIRED)
14	05012356AC	1				EK0, EVO			WASHER PACKAGE, Washer, Thrust
15	53020788AB	1				EK0, EVO			SEAL, Crankshaft Bearing Oil
16	04752603AA	1	J				DGJ		CONVERTER, Torque
		1	T				DGJ		
17	04752574AB	1				EK0	DG0		PLATE, Torque Converter Drive
18	06503465	8				EK0, EVO	DG0		BOLT, Drive Plate and Flywheel, Drive Plate to Crankshaft, Mounting
19	06507095AA	6				EK0	DG0		SCREW, Torque Converter To Flexplate, Mounting

NEW JEEP (XK)				
SERIES	LINE	BODY	ENGINE	TRANSMISSION
H = HIGHLINE	T = JEEP - 2WD	74 = SPORT UTILITY 4-DR	EKG = 3.7L V6 Engine	DGQ = 5-Spd Automatic 5-45RFE Transmission
P = PREMIUM	J = JEEP - 4WD		EVA = 4.7L V8 MPI Engine	DGJ = 5-Speed Automatic MB Transmission
			EZB = 5.7L Hemi Multi Displacement Engine	

AR = use ase required - = Non illustrated part

**Camshaft And Valves, 3.7L [EKG]
Figure 3.7L-505**



ITEM	PART NUMBER	QTY	LINE	SERIES	BODY	ENGINE	TRANS	TRIM	DESCRIPTION
------	-------------	-----	------	--------	------	--------	-------	------	-------------

NOTE:

Sales Codes:

- [DGJ] = 5-Speed Automatic W5A580 Transmission
- [DGQ] = 5-Speed Automatic 5-45RFE Transmission
- [DG0] = All Automatic Transmissions
- [EKG] = 3.7L "Magnum" V-6 Engine
- [EK0] = All 3.7L 6-Cylinder Gas Engines
- [EVA] = 4.7L "Magnum" V-8 Engine
- [EV0] = All 4.7L 8-Cylinder Gas Engines
- [EZB] = 5.7L Hemi Multi Displacement Engine
- [EZ0] = All 5.7L 8-Cylinder Gas Engines
- [NAA] = Federal Emissions
- [NAE] = California Emissions
- [NAS] = 50 State Emissions

1	06507095AA	6							WASHER, (NOT REQUIRED)
2	06505034AA	8				EK0			SCREW, M6x1x40, Cam Cap Mounting, Right or Left
3	06505034AA	8							CAP, Serviced With Head Only, (NOT SERVICED)
4	53021893AA	1				EK0			CAMSHAFT, Engine, Left
5	53021892AA	1				EK0			CAMSHAFT, Engine, Right
6	53021913AB	6				EK0			ROCKER ARM, ValveRight or Left
7	53021894AA	6				EK0			ADJUSTER, Valve LashRight or Left
8	04556020	2				EK0			PLUG, Core, 1.25 Diameter
9	53020987AC	1				EK0			HEAD, Cylinder, Left
10	53020988AC	1				EK0			HEAD, Cylinder, Right
11	04536513AB	12				EK0			LOCK, Valve Spring RetainerRight or Left
12	04781090AA	6				EK0			RETAINER, Valve SpringRight or Left
13									SPRING, Valve
	53021873AA	3				EK0			Exhaust
	53021887AA	3				EK0			Intake
14	53021887AA	3							INSERT, Valve Guide, Serviced With Head Only, (NOT SERVICED)
15	53020752AD	6				EK0			SEAL, Valve GuideRight or Left
16	53020752AD	6							SEAT, Intake Valve, Serviced With Head Only, (NOT SERVICED)
17	53020747AB	3				EK0			VALVE, Intake, StandardRight or Left
18	53021644AB	3				EK0			VALVE, Exhaust, StandardRight or Left

NEW JEEP (XK)

SERIES	LINE
H = HIGHLINE	T = JEEP - 2WD
P = PREMIUM	J = JEEP - 4WD

BODY
74 = SPORT UTILITY 4-DR

ENGINE
EKG = 3.7L V6 Engine
EVA = 4.7L V8 MPI Engine
EZB = 5.7L Hemi Multi Displacement Engine

TRANSMISSION
DGQ = 5-Spd Automatic 5-45RFE Transmission
DGJ = 5-Speed Automatic MB Transmission

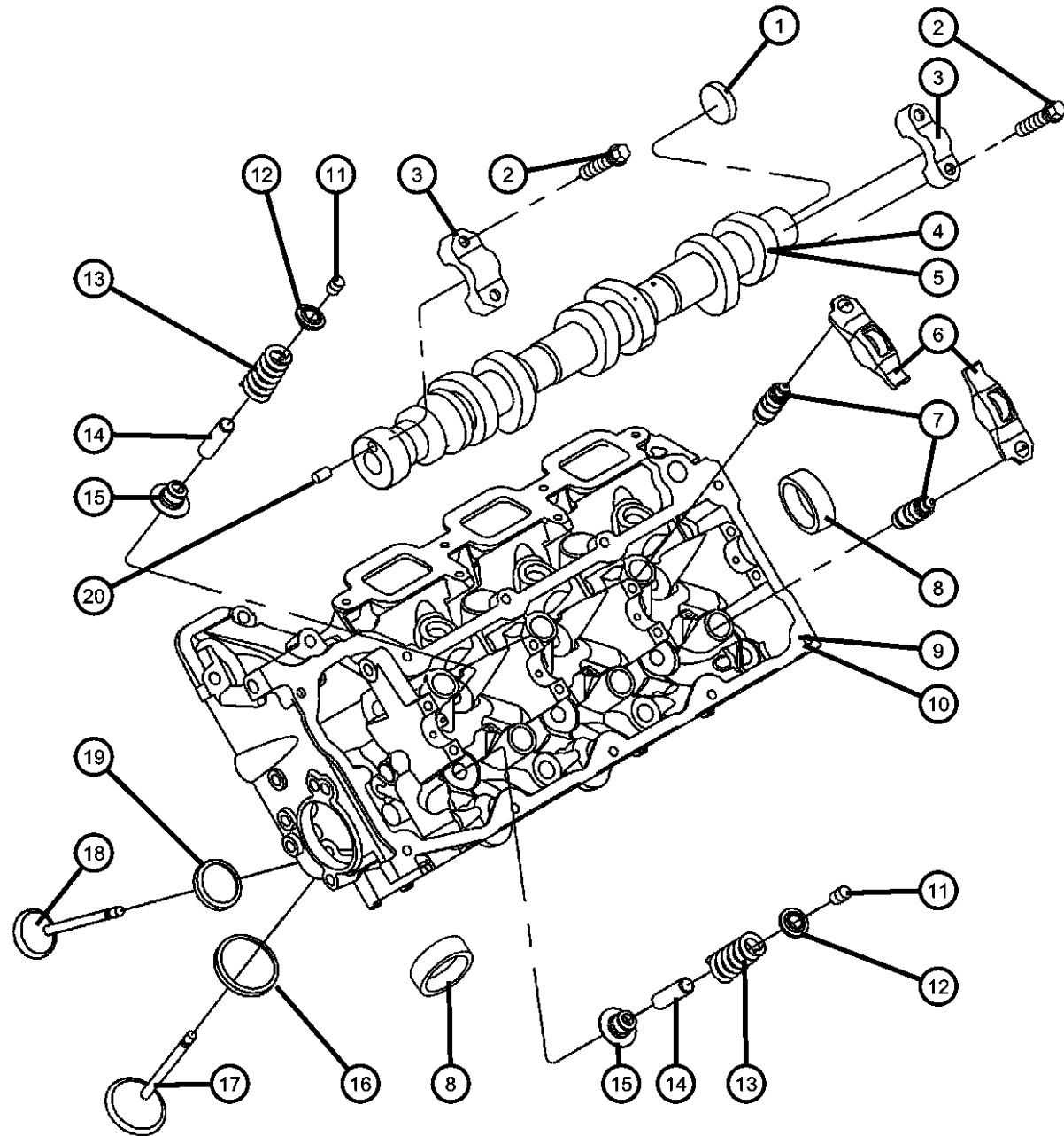
AR = use ase required - = Non illustrated part

2006 XK

**Camshaft And Valves, 3.7L [EKG]
Figure 3.7L-505**

ITEM	PART NUMBER	QTY	LINE	SERIES	BODY	ENGINE	TRANS	TRIM	DESCRIPTION
------	-------------	-----	------	--------	------	--------	-------	------	-------------

19	53021644AB	3							SEAT, Exhaust Valve, Serviced With Head Only, (NOT SERVICED) DOWEL, M6x14, Sprocket to Cam, Mounting
20	06100902	1				EK0			



NEW JEEP (XK)

SERIES	LINE
H = HIGHLINE	T = JEEP - 2WD
P = PREMIUM	J = JEEP - 4WD

BODY
74 = SPORT UTILITY 4-DR

ENGINE
EKG = 3.7L V6 Engine
EVA = 4.7L V8 MPI Engine
EZB = 5.7L Hemi Multi Displacement Engine

TRANSMISSION
DGQ = 5-Spd Automatic 5-45RFE Transmission
DGJ = 5-Speed Automatic MB Transmission

AR = use ase required - = Non illustrated part

2006 XK

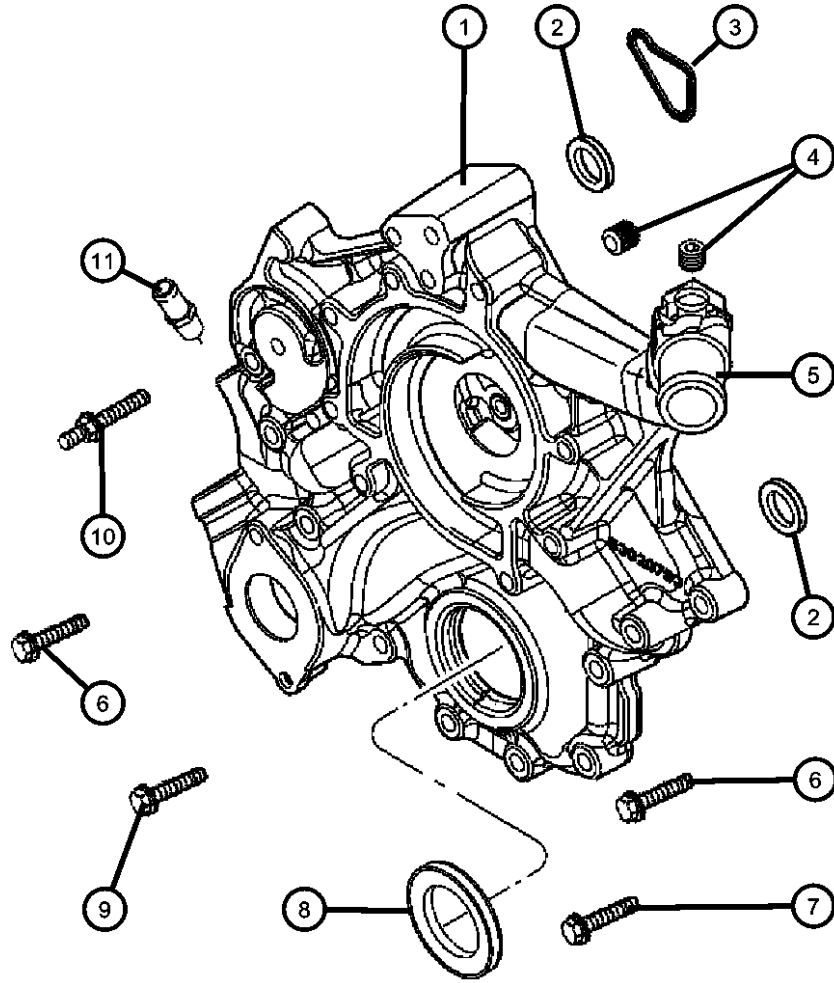
**Timing Cover 3.7L [EGK]
Figure 3.7L-605**

ITEM	PART NUMBER	QTY	LINE	SERIES	BODY	ENGINE	TRANS	TRIM	DESCRIPTION
------	-------------	-----	------	--------	------	--------	-------	------	-------------

NOTE:

Sales Codes:

- [DGJ] = 5-Speed Automatic W5A580 Transmission
- [DGQ] = 5-Speed Automatic 5-45RFE Transmission
- [DG0] = All Automatic Transmissions
- [EKG] = 3.7L "Magnum" V-6 Engine
- [EK0] = All 3.7L 6-Cylinder Gas Engines
- [EVA] = 4.7L "Magnum" V-8 Engine
- [EV0] = All 4.7L 8-Cylinder Gas Engines
- [EZB] = 5.7L Hemi Multi Displacement Engine
- [EZ0] = All 5.7L 8-Cylinder Gas Engines
- [NAA] = Federal Emissions
- [NAE] = California Emissions
- [NAS] = 50 State Emissions



1	53021238AB	1				EK0			COVER, Chain Case, Items 2,3,4,5,8,11 Included
2	53021239AA	2				EK0			O RING, Also serviced with Cover, Chain Case Cover, Mounting
3	53021226AA	1				EK0			GASKET, Chain Case Cover, Also serviced with Cover
4	06034331	3				EK0			PLUG, Hex Socket, 3/8-18NPTx.475, Also serviced with Cover
5	06034331	3							PIPE FITTING, Chain Case Cover, .375-18x2, Serviced with Cover, (NOT SERVICED)
6	06507776AA	3				EK0			SCREW, Hex Flange Head, Chain Case Cover, Mounting
7	06102380AA	5				EK0, EV0			SCREW, Hex Flange Head, Chain Case Cover, Mounting
8	53021313AA	1				EK0			SEAL, Crankshaft Oil, Front, Also serviced with Cover
9	06102381AA	5				EK0, EV0			SCREW, Hex Flange Head, Chain Case Cover, Mounting
10	06505293AA	1				EK0, EV0			STUD, Chain Case Cover, Mounting
11	06035854	2				EK0			NIPPLE, Also serviced with Cover

NEW JEEP (XK)

SERIES	LINE
H = HIGHLINE	T = JEEP - 2WD
P = PREMIUM	J = JEEP - 4WD

BODY
74 = SPORT UTILITY 4-DR

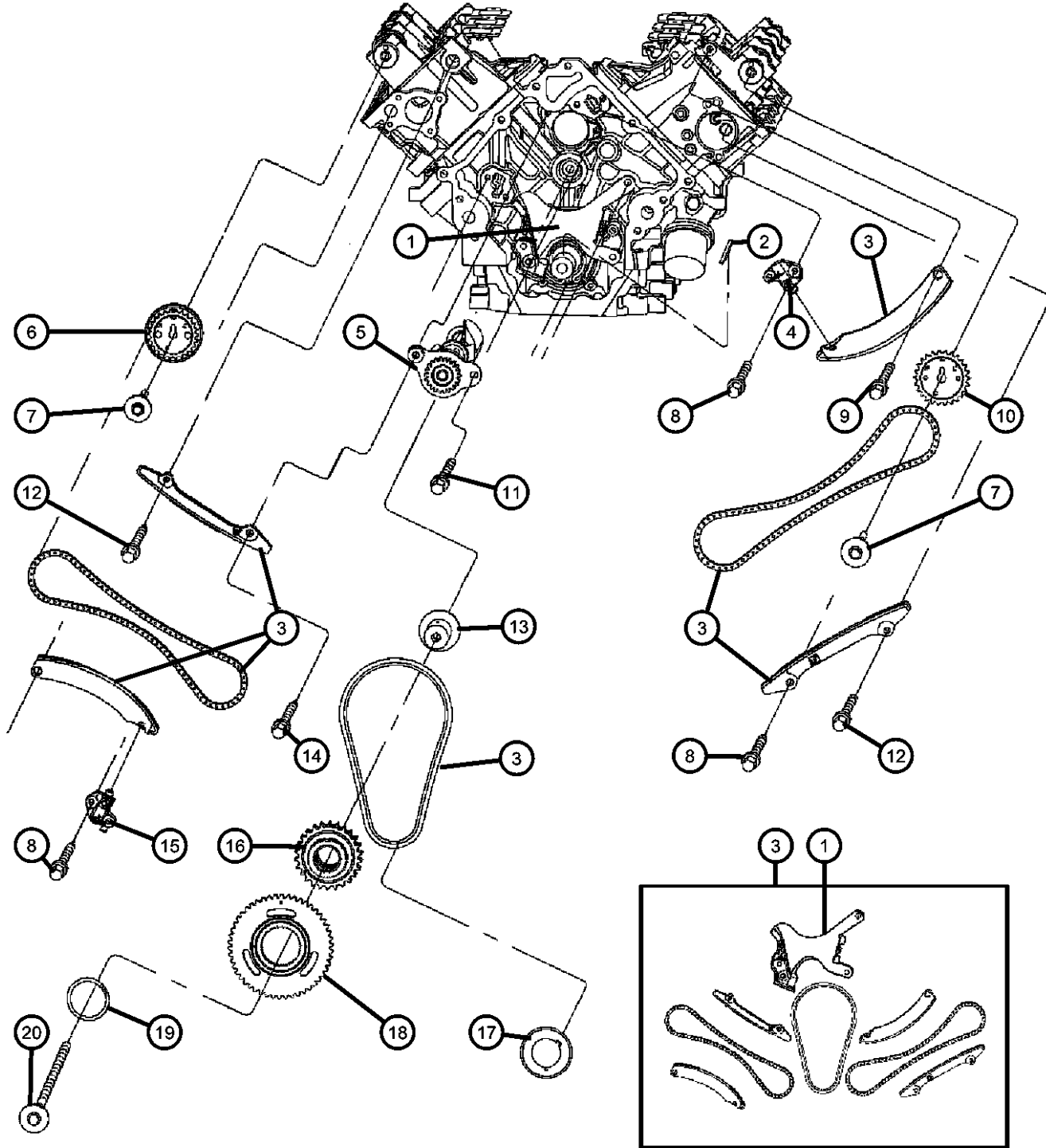
ENGINE
EKG = 3.7L V6 Engine
EVA = 4.7L V8 MPI Engine
EZB = 5.7L Hemi Multi Displacement Engine

TRANSMISSION
DGQ = 5-Spd Automatic 5-45RFE Transmission
DGJ = 5-Speed Automatic MB Transmission

AR = use ase required - = Non illustrated part

2006 XK

**Timing Chain And Guides, 3.7L [EKG]
Figure 3.7L-610**



NOTE:

Sales Codes:

- [DGJ] = 5-Speed Automatic W5A580 Transmission
- [DGQ] = 5-Speed Automatic 5-45RFE Transmission
- [DG0] = All Automatic Transmissions
- [EKG] = 3.7L "Magnum" V-6 Engine
- [EK0] = All 3.7L 6-Cylinder Gas Engines
- [EVA] = 4.7L "Magnum" V-8 Engine
- [EV0] = All 4.7L 8-Cylinder Gas Engines
- [EZB] = 5.7L Hemi Multi Displacement Engine
- [EZ0] = All 5.7L 8-Cylinder Gas Engines
- [NAA] = Federal Emissions
- [NAE] = California Emissions
- [NAS] = 50 State Emissions

ITEM	PART NUMBER	QTY	LINE	SERIES	BODY	ENGINE	TRANS	TRIM	DESCRIPTION
1	53020681	1				EK0, EV0			TENSIONER, Chain, Primary
2	06504471	1				EK0, EV0			KEY, Woodruff, Crankshaft Sprocket, Mounting
3	05019423AD	1				EK0			TIMING DRIVE PACKAGE, Engine
4	53021250AA	1				EK0			TENSIONER, Chain, Secondary, Left
5	53020818	1				EK0			SHAFT, Balance
6	53021291AD	1				EK0			SPROCKET, Camshaft, Right
7	06504429	2				EK0, EV0			SCREW AND WASHER, Hex, Crankshaft Sprocket, Mounting
8	06503257	5				EK0			BOLT, Hex Head, M8x1.25x37.50, Chain Guide/Tensioner, Mounting
9	06506028AA	2				EK0			SCREW, Secondary Tensioner Arm, Mounting
10	53021290AA	1				EK0			SPROCKET, Camshaft, Left
11	06100295	1				EK0			SCREW AND WASHER, Hex Head, M8x1.25x20, Thrust Plate, Mounting
12	06102111AA	2				EK0, EV0			SCREW AND WASHER, Guide, Mounting
13	53020835	1				EK0, EV0			SHAFT, Idler
14	06102190AA	1				EK0			SCREW, Guide, Mounting
15	53021249AA	1				EK0			TENSIONER, Chain, Secondary, Right
16	53021298AB	1				EK0			SHAFT, Balance, Driver
17	53020679	1				EK0			SPROCKET, Crankshaft
18	53021170AA	1				EK0			SPROCKET, Idler
19	53021170AA	1							RETAINING RING, Idler, (NOT REQUIRED)
20	06504370	1				EK0, EV0			SCREW AND WASHER, Hex, Idler Sprocket, Mounting

NEW JEEP (XK)

SERIES LINE
H = HIGHLINE T = JEEP - 2WD
P = PREMIUM J = JEEP - 4WD

BODY
74 = SPORT UTILITY 4-DR

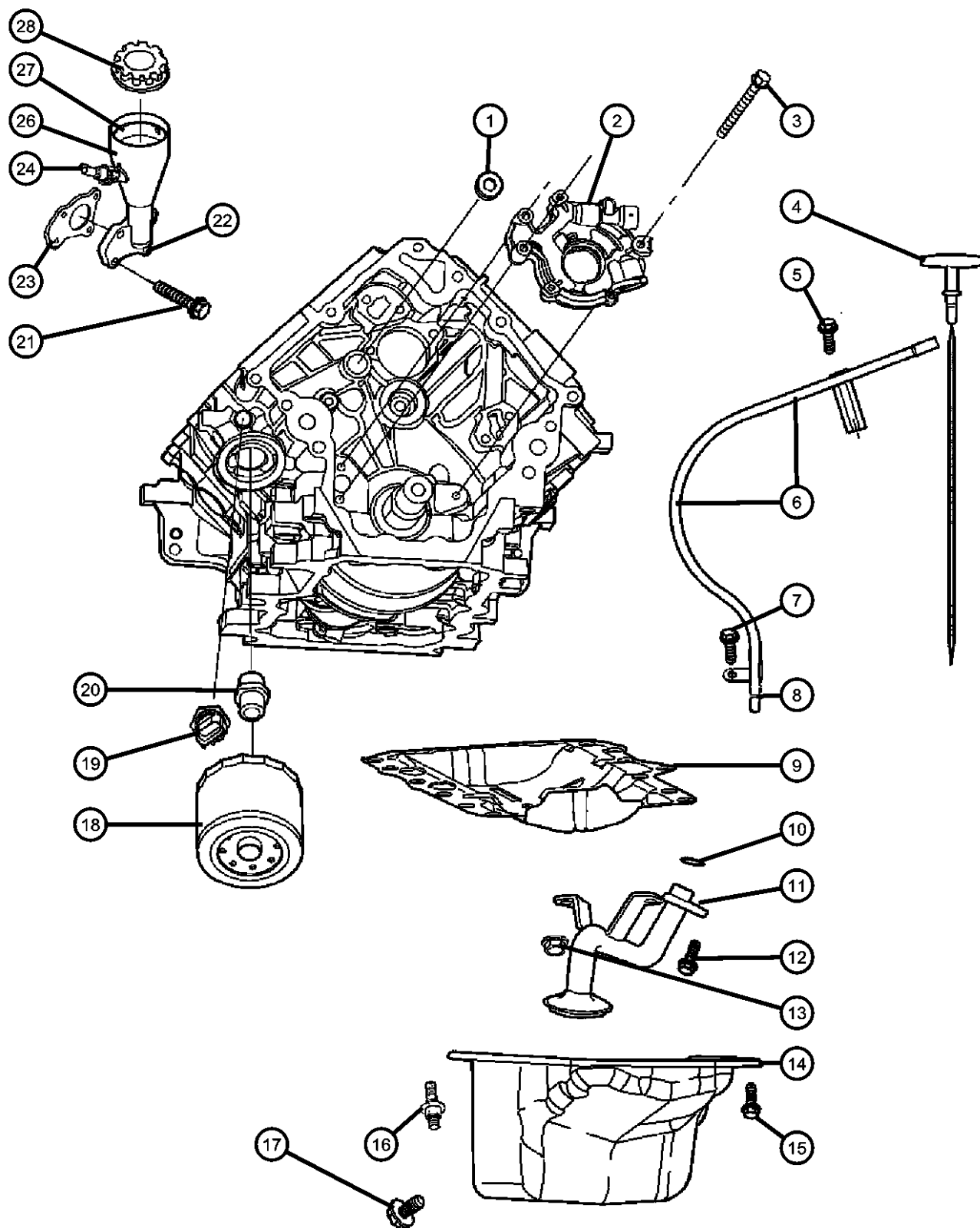
ENGINE
EKG = 3.7L V6 Engine
EVA = 4.7L V8 MPI Engine
EZB = 5.7L Hemi Multi Displacement Engine

TRANSMISSION
DGQ = 5-Spd Automatic 5-45RFE Transmission
DGJ = 5-Speed Automatic MB Transmission

AR = use ase required - = Non illustrated part

2006 XK

**Engine Oiling, 3.7L [EKG]
Figure 3.7L-705**



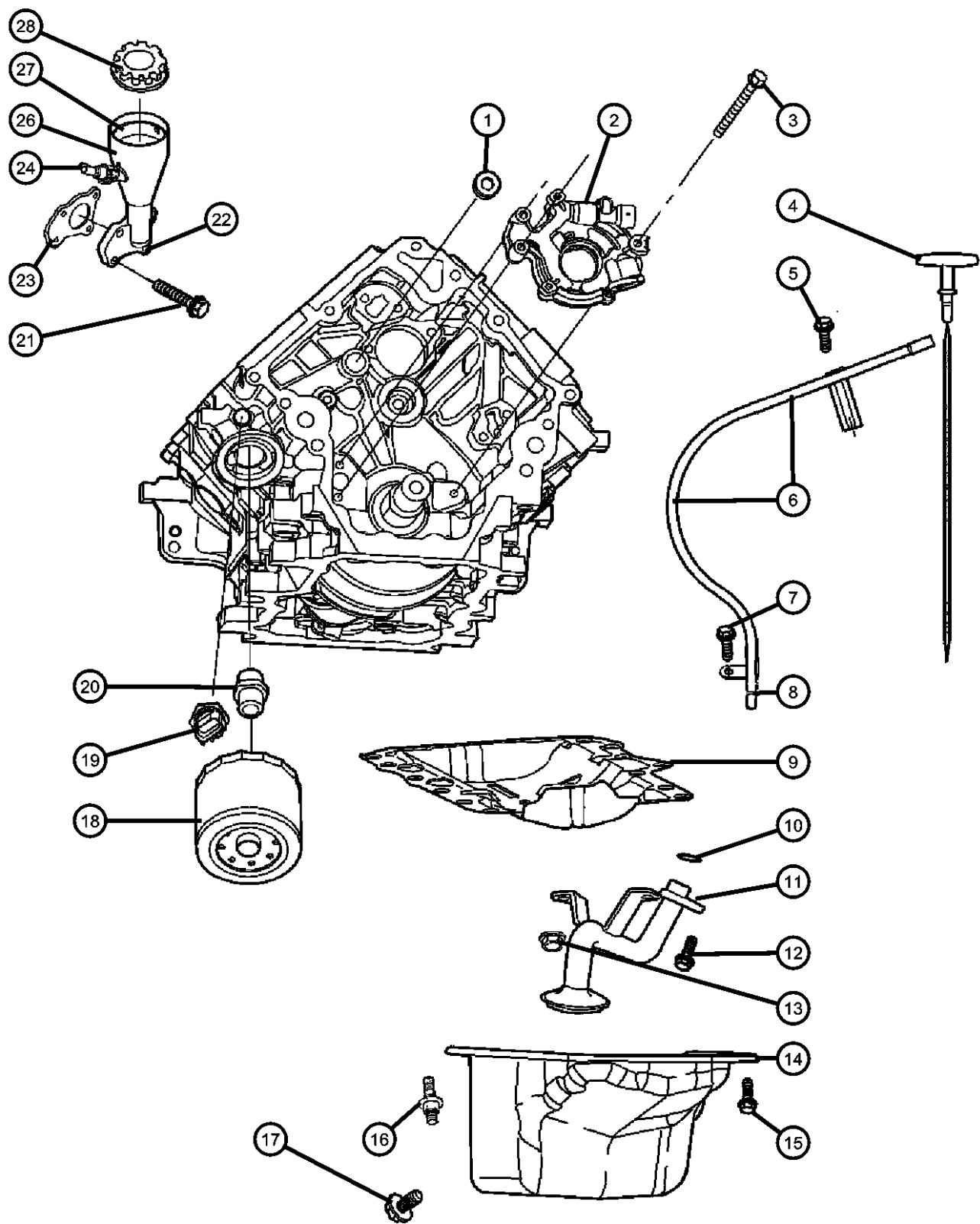
ITEM	PART NUMBER	QTY	LINE	SERIES	BODY	ENGINE	TRANS	TRIM	DESCRIPTION
1	06036114AA	4				EK0, EV0			PLUG, Pipe, Cylinder Block Oil Hole
2	53020827AB	1				EK0, EV0			PUMP, Engine Oil
3	06100932	2				EK0, EV0			BOLT, Hex, Oil Pump, Mounting
4	53021747AD	1				EK0			INDICATOR, Engine Oil Level
5	06102050AA	1				EK0			SCREW, Hex Flange Head, M6.3 x 1.81 x 15.00, Oil Level Indicator Tube, Mounting
6	53021741AD	1				EK0			TUBE, Engine Oil Indicator
7	06505488AA	1				EK0			SCREW AND WASHER, Hex, Oil Level Indicator Tube, Mounting
8	53021144AA	1				EK0			O RING, Engine Oil Indicator
9	53021001AB	1				EK0			GASKET, Oil PanMounting
10	53020861	1				EK0, EV0			SEAL, Oil Pick Up Tube
11	53021776AA	1				EK0			TUBE, Oil Pickup
12	06102046AA	1				EK0, EV0			SCREW AND WASHER, Pickup Tube, Mounting
13	06502756	2				EK0			NUT, Hex Lock, M8x1.25, Pickup Tube, Mounting
14	53021755AA	1				EK0			PAN, Engine Oil, With Plug
15	06504810AA	16				EK0			SCREW AND WASHER, Hex, Oil Pan to Block, Mounting
16	06508066AA	1				EK0			STUD, Oil Pan To Block
17	06506100AA	1				EK0			PLUG, Oil Drain
18	04781452BB	1				EK0			FILTER, Engine Oil
19	04868672AA	1				EK0, EV0			SWITCH, Oil Pressure
20	53007563	1				EK0, EV0			CONNECTOR, Oil Filter
21	06505504AA	3				EK0, EV0			SCREW, Oil Fill Housing to Cylinder Block, Mounting

NOTE:
Sales Codes:
[DGJ] = 5-Speed Automatic W5A580 Transmission
[DGQ] = 5-Speed Automatic 5-45RFE Transmission
[DG0] = All Automatic Transmissions
[EKG] = 3.7L "Magnum" V-6 Engine
[EK0] = All 3.7L 6-Cylinder Gas Engines
[EVA] = 4.7L "Magnum" V-8 Engine
[EV0] = All 4.7L 8-Cylinder Gas Engines
[EZB] = 5.7L Hemi Multi Displacement Engine
[EZ0] = All 5.7L 8-Cylinder Gas Engines
[NAA] = Federal Emissions
[NAE] = California Emissions
[NAS] = 50 State Emissions

NEW JEEP (XK)				
SERIES	LINE	BODY	ENGINE	TRANSMISSION
H = HIGHLINE	T = JEEP - 2WD	74 = SPORT UTILITY 4-DR	EKG = 3.7L V6 Engine	DGQ = 5-Spd Automatic 5-45RFE Transmission
P = PREMIUM	J = JEEP - 4WD		EVA = 4.7L V8 MPI Engine	DGJ = 5-Speed Automatic MB Transmission
			EZB = 5.7L Hemi Multi Displacement Engine	

AR = use ase required - = Non illustrated part

**Engine Oiling, 3.7L [EKG]
Figure 3.7L-705**

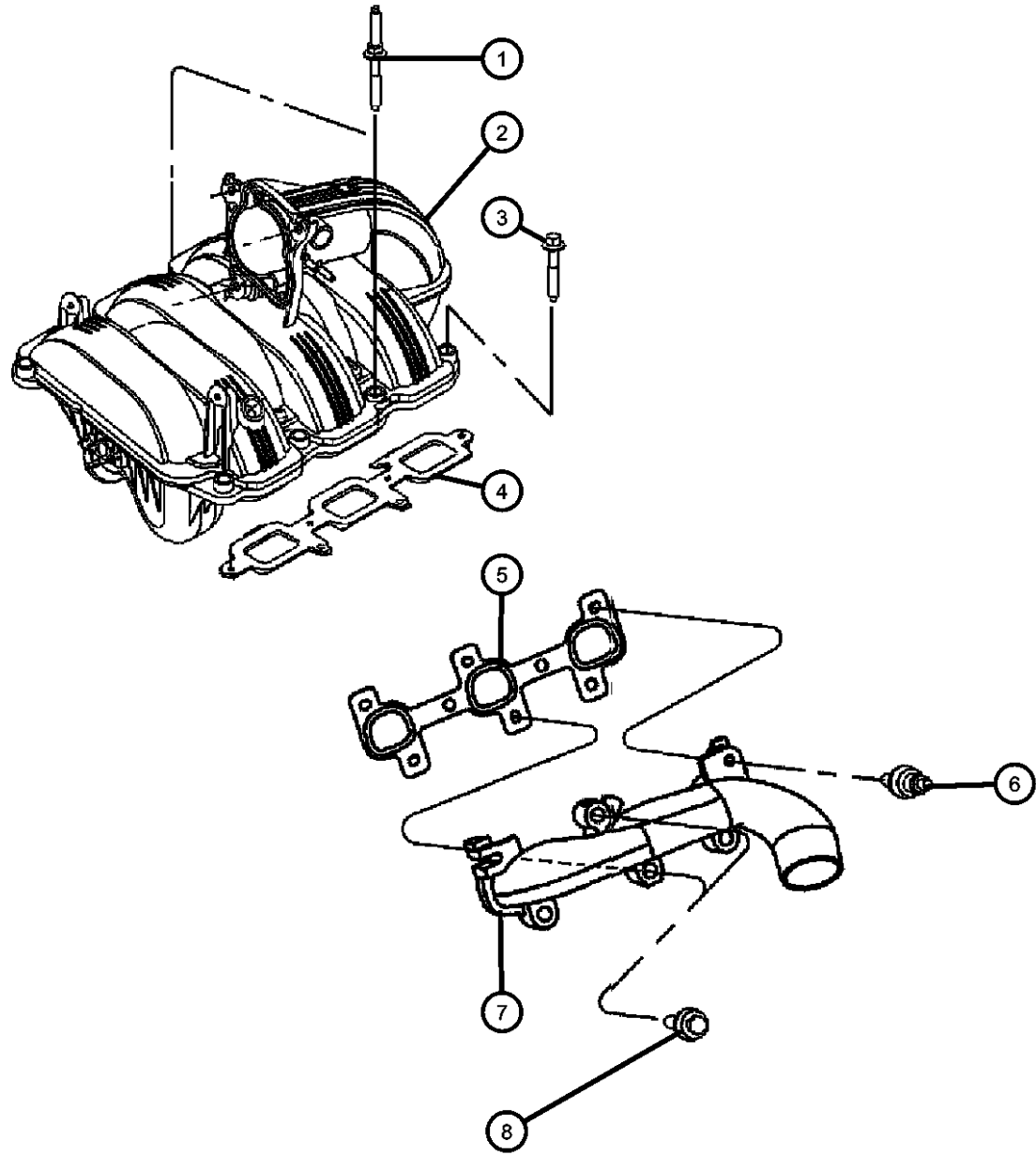


ITEM	PART NUMBER	QTY	LINE	SERIES	BODY	ENGINE	TRANS	TRIM	DESCRIPTION
22	06505566AA	1				EK0, EVO			STUD, Oil Fill Housing to Cylinder Block, Mounting
23	53020889AC	1				EK0			GASKET, Oil Fill Housing
24	53032800AA	1				EK0			VALVE, Crankcase Vent
-25	53031711AA	1				EK0			O RING
26	53020890	1				EK0			HOUSING, Oil Fill
27	53032126AA	1				EK0			BAFFLE, Oil Fill, None
28	53032389AD	1				EK0			CAP, Oil Filler, With 5W30 Marking

NEW JEEP (XK)				
SERIES	LINE	BODY	ENGINE	TRANSMISSION
H = HIGHLINE	T = JEEP - 2WD	74 = SPORT UTILITY 4-DR	EKG = 3.7L V6 Engine	DGQ = 5-Spd Automatic 5-45RFE
P = PREMIUM	J = JEEP - 4WD		EVA = 4.7L V8 MPI Engine	Transmission
			EZB = 5.7L Hemi Multi Displacement Engine	DGJ = 5-Speed Automatic MB Transmission

AR = use ase required - = Non illustrated part

**Manifolds, Intake and Exhasut 3.7L [EKG]
Figure 3.7L-805**



ITEM	PART NUMBER	QTY	LINE	SERIES	BODY	ENGINE	TRANS	TRIM	DESCRIPTION
------	-------------	-----	------	--------	------	--------	-------	------	-------------

NOTE:

Sales Codes:

- [DGJ] = 5-Speed Automatic W5A580 Transmission
- [DGQ] = 5-Speed Automatic 5-45RFE Transmission
- [DG0] = All Automatic Transmissions
- [EKG] = 3.7L "Magnum" V-6 Engine
- [EK0] = All 3.7L 6-Cylinder Gas Engines
- [EVA] = 4.7L "Magnum" V-8 Engine
- [EV0] = All 4.7L 8-Cylinder Gas Engines
- [EZB] = 5.7L Hemi Multi Displacement Engine
- [EZ0] = All 5.7L 8-Cylinder Gas Engines
- [NAA] = Federal Emissions
- [NAE] = California Emissions
- [NAS] = 50 State Emissions

1	06507434AA	7				EK0			STUD, Double Ended, Intake Manifold to Cylinder Head, Mounting
2	53032795AA	1				EK0			MANIFOLD, Intake
3	06507433AA	1				EK0			SCREW, Hex Flange Head, Intake Manifold to Cylinder Head, Mounting
4	53010310AB	6				EK0			SEAL, Intake Manifold, Intake Manifold to Cylinder Head, Mounting
5									GASKET, Exhaust Manifold
	53031090	1				EK0			Right
	53031091	1				EK0			Left
6	06508220AA	8				EK0			STUD, Exhaust Manifold, Exhaust Manifold to Cylinder Head, Mounting
7									MANIFOLD, Exhaust
	53013691AA	1				EK0			Left
	53013692AA	1				EK0			Right
8	06507746AA	4				EK0			BOLT, Exhaust Manifold, Exhaust Manifold to Cylinder Head, Mounting

NEW JEEP (XK)

SERIES LINE
H = HIGHLINE T = JEEP - 2WD
P = PREMIUM J = JEEP - 4WD

BODY
74 = SPORT UTILITY 4-DR

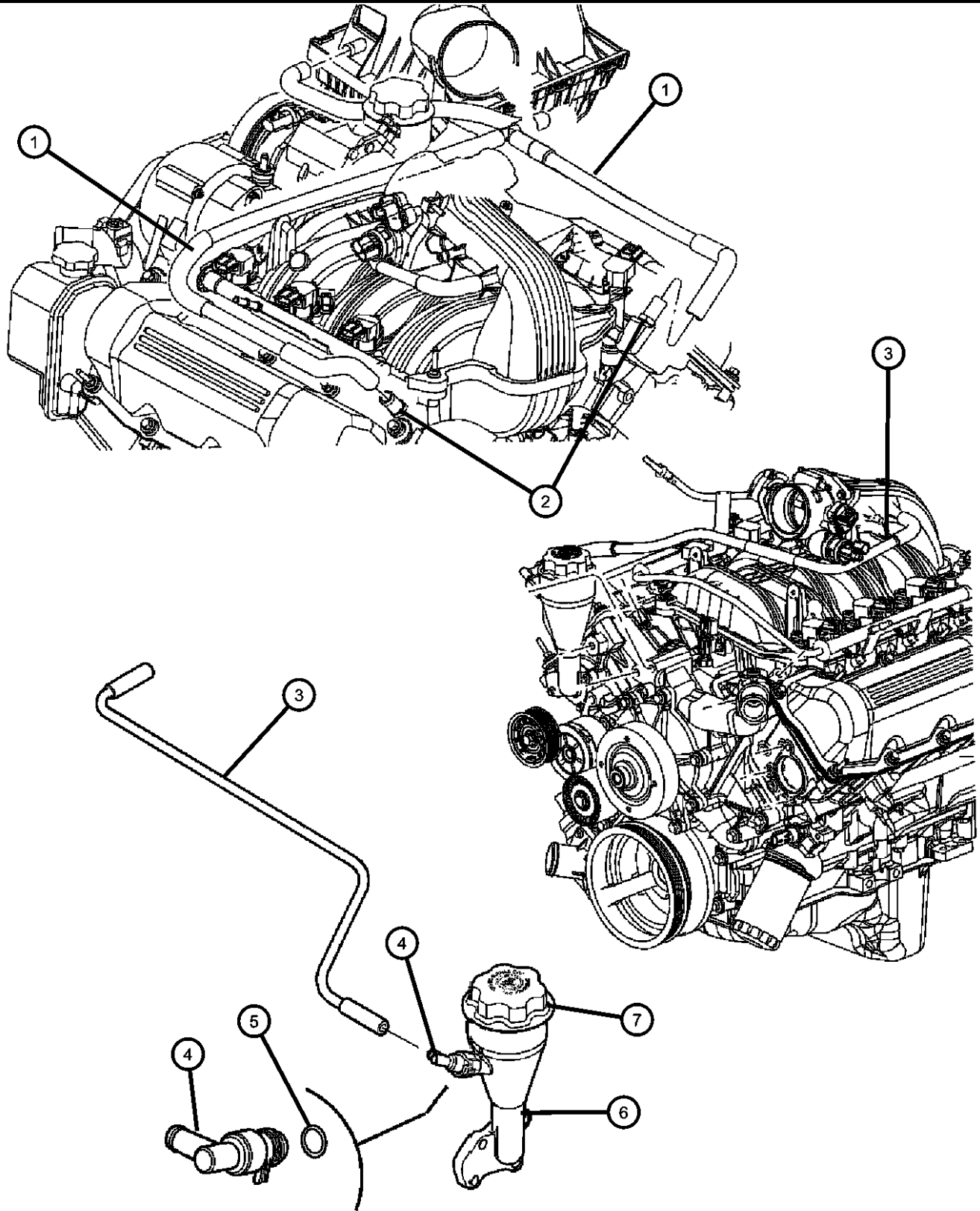
ENGINE
EKG = 3.7L V6 Engine
EVA = 4.7L V8 MPI Engine
EZB = 5.7L Hemi Multi Displacement Engine

TRANSMISSION
DGQ = 5-Spd Automatic 5-45RFE Transmission
DGJ = 5-Speed Automatic MB Transmission

AR = use ase required - = Non illustrated part

2006 XK

**Crankcase Ventilation, 3.7L [EKG]
Figure 3.7L-910**



ITEM	PART NUMBER	QTY	LINE	SERIES	BODY	ENGINE	TRANS	TRIM	DESCRIPTION
------	-------------	-----	------	--------	------	--------	-------	------	-------------

NOTE:
Sales Codes:
[DGJ] = 5-Speed Automatic W5A580 Transmission
[DGQ] = 5-Speed Automatic 5-45RFE Transmission
[DG0] = All Automatic Transmissions
[EKG] = 3.7L "Magnum" V-6 Engine
[EK0] = All 3.7L 6-Cylinder Gas Engines
[EVA] = 4.7L "Magnum" V-8 Engine
[EV0] = All 4.7L 8-Cylinder Gas Engines
[EZB] = 5.7L Hemi Multi Displacement Engine
[EZ0] = All 5.7L 8-Cylinder Gas Engines
[NAA] = Federal Emissions
[NAE] = California Emissions
[NAS] = 50 State Emissions

1	53013758AB	1				EK0			TUBE, Crankcase Vent To Air Cleaner
2	06036575AA	2				EK0			FITTING, Crankcase Vent Tube, [.375-18X2.00]
3	53031133AE	1				EK0			TUBE, Crankcase Vent To Intake Manifold
4	53032800AA	1				EK0			VALVE, Crankcase Vent
5	53031711AA	1				EK0			O RING
6	53020890	1				EK0			HOUSING, Oil Fill
7	53032389AD	1				EK0			CAP, Oil Filler, With 5W30 Marking

NEW JEEP (XK)				
SERIES	LINE	BODY	ENGINE	TRANSMISSION
H = HIGHLINE	T = JEEP - 2WD	74 = SPORT UTILITY 4-DR	EKG = 3.7L V6 Engine	DGQ = 5-Spd Automatic 5-45RFE Transmission
P = PREMIUM	J = JEEP - 4WD		EVA = 4.7L V8 MPI Engine	DGJ = 5-Speed Automatic MB Transmission
			EZB = 5.7L Hemi Multi Displacement Engine	

AR = use ase required - = Non illustrated part

Group - 4.7L

Engine 4.7L Eight Cylinder [EVA]

Group - 4.7L Engine 4.7L Eight Cylinder [EVA]

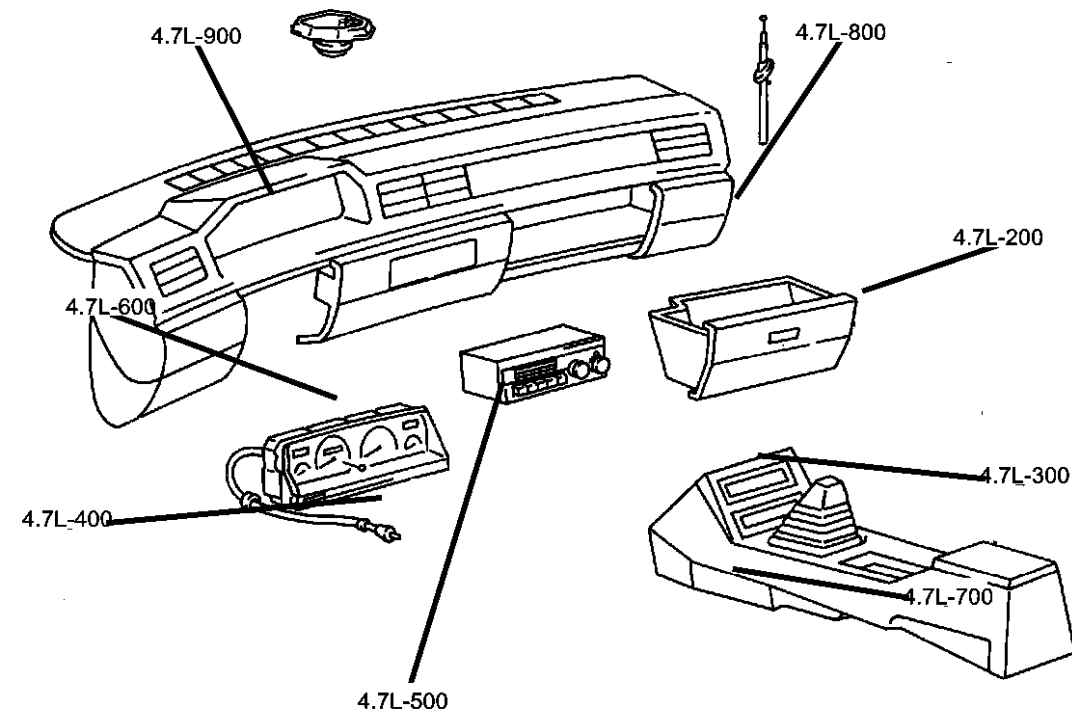


Illustration Title

Group-Fig. No.

Cylinder Head

Cylinder Head, 4.7L, [EVA] Fig. 4.7L - 205

Cylinder Block

Cylinder Block, 4.7L [EVA]..... Fig. 4.7L - 305

Crankshaft, Pistons and Torque Converter

Crankshaft,Pistons, Bearings, Torque Converter And Flywheel 4.7L [EVA] Fig. 4.7L - 405

Camshafts and Valves

Camshaft And Valves, 4.7L [EVA] Fig. 4.7L - 505

Timing Belt and Cover

Timing Cover, 4.7L [EVA] Fig. 4.7L - 605

Timing Chain And Guides, 4.7L [EVA]..... Fig. 4.7L - 610

Engine Oiling

Engine Oiling 4.7L [EVA] Fig. 4.7L - 705

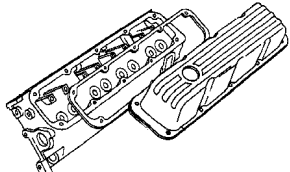
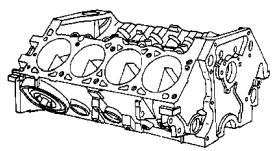
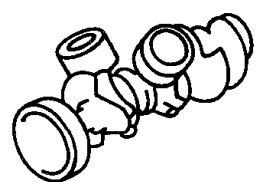
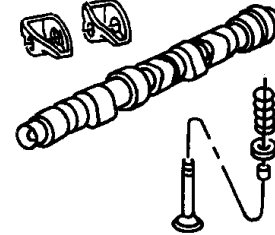
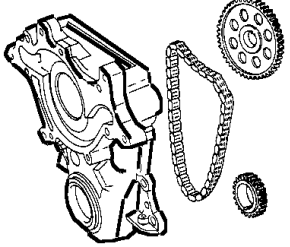
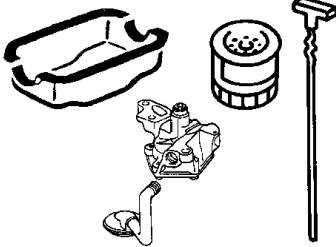
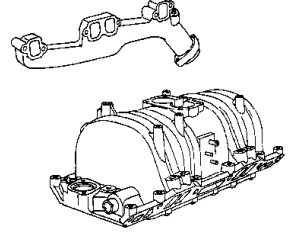
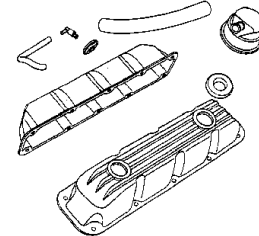
Engine Oil Filter And Splash Guard 3.7L [EKG] Fig. 4.7L - 710

Manifolds

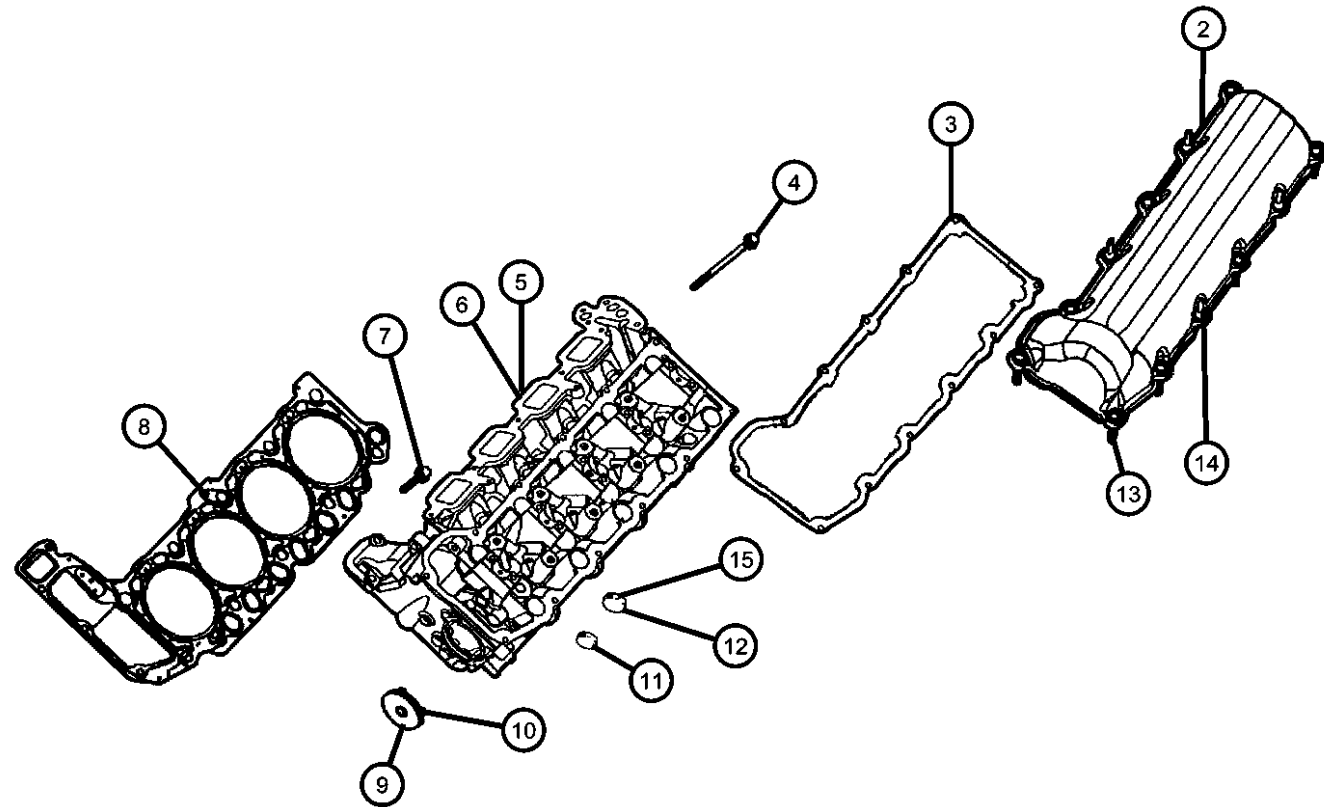
Manifolds, Intake and Exhaust 4.7L [EVA] Fig. 4.7L - 805

Crankcase Ventilation

Crankcase Ventilation, 4.7L [EVA] Fig. 4.7L - 905

<p>4.7L-200 Cylinder Head</p> 	<p>4.7L-300 Cylinder Block</p> 	<p>4.7L-400 Crankshaft, Pistons and Torque Converter</p> 	<p>4.7L-500 Camshafts and Valves</p> 
<p>4.7L-600 Timing Belt and Cover</p> 	<p>4.7L-700 Engine Oiling</p> 	<p>4.7L-800 Manifolds</p> 	<p>4.7L-900 Crankcase Ventilation</p> 

**Cylinder Head, 4.7L, [EVA]
Figure 4.7L-205**



ITEM	PART NUMBER	QTY	LINE	SERIES	BODY	ENGINE	TRANS	TRIM	DESCRIPTION
------	-------------	-----	------	--------	------	--------	-------	------	-------------

NOTE: Upper Gasket Package Contains: Cylinder Head and Cylinder Head Cover Gaskets, Intake and Exhaust Manifold Gaskets, Throttle Body Gaskets
Sales Codes:

[DGJ] = 5-Speed Automatic W5A580 Transmission
[DGQ] = 5-Speed Automatic 5-45RFE Transmission
[DG0] = All Automatic Transmissions
[EKG] = 3.7L "Magnum" V-6 Engine
[EK0] = All 3.7L 6-Cylinder Gas Engines
[EVA] = 4.7L "Magnum" V-8 Engine
[EV0] = All 4.7L 8-Cylinder Gas Engines
[EZB] = 5.7L Hemi Multi Displacement Engine
[EZ0] = All 5.7L 8-Cylinder Gas Engines
[NAA] = Federal Emissions
[NAE] = California Emissions
[NAS] = 50 State Emissions

-1	05135797AA	1				EVA	DG0		GASKET PACKAGE, Engine Upper, See Note
2									COVER, Cylinder Head
	53021828AA	1				EV0			Includes Item 3, Right
	53021829AD	1				EV0			Includes Item 3, Left
3									GASKET, Valve Cover
	53021842AA	1				EV0			Includes Items 13,14, Right
	53021843AA	1				EV0			Includes Items 13,14, Left
4	06505528AA	20				EVA			SCREW AND WASHER, Hex Head, [M14x1.50x43.00], Cylinder Head, Mounting
5	53020798AB	1				EVA			HEAD, Cylinder, Right, Includes Items 11,12,15
	R6847099								Mopar Reman 4.7L Head w/Valves, Springs, Gasket (EVA) - Right
6	53020797AC	1				EVA			HEAD, Cylinder, Left, Includes Items 11,12,15
7	06506785AA	8				EV0			SCREW AND WASHER, Hex Head, [M8x1.25x31.00], Cylinder Head, Mounting
8	53020673AC	2				EV0			GASKET, Cylinder Head Mounting
9	53021031	1				EK0, EV0			PLUG, Access Hole, Cylinder Head-Includes O-Ring
10	53021032	1				EK0, EV0			O RING, Access Hole Plug, Mounting
11	04556020	2				EVA			PLUG, Core, 1.25 Diameter, Water Jacket Core
12	06034331	2				EVA			PLUG, Hex Socket, 3/8-18NPTx.475, Water Jacket Vent
13	06034331	2							SCREW, Serviced in Cylinder Head Cover, (NOT SERVICED)

NEW JEEP (XK)

SERIES LINE
H = HIGHLINE T = JEEP - 2WD
P = PREMIUM J = JEEP - 4WD

BODY
74 = SPORT UTILITY 4-DR

ENGINE
EKG = 3.7L V6 Engine
EVA = 4.7L V8 MPI Engine
EZB = 5.7L Hemi Multi Displacement Engine

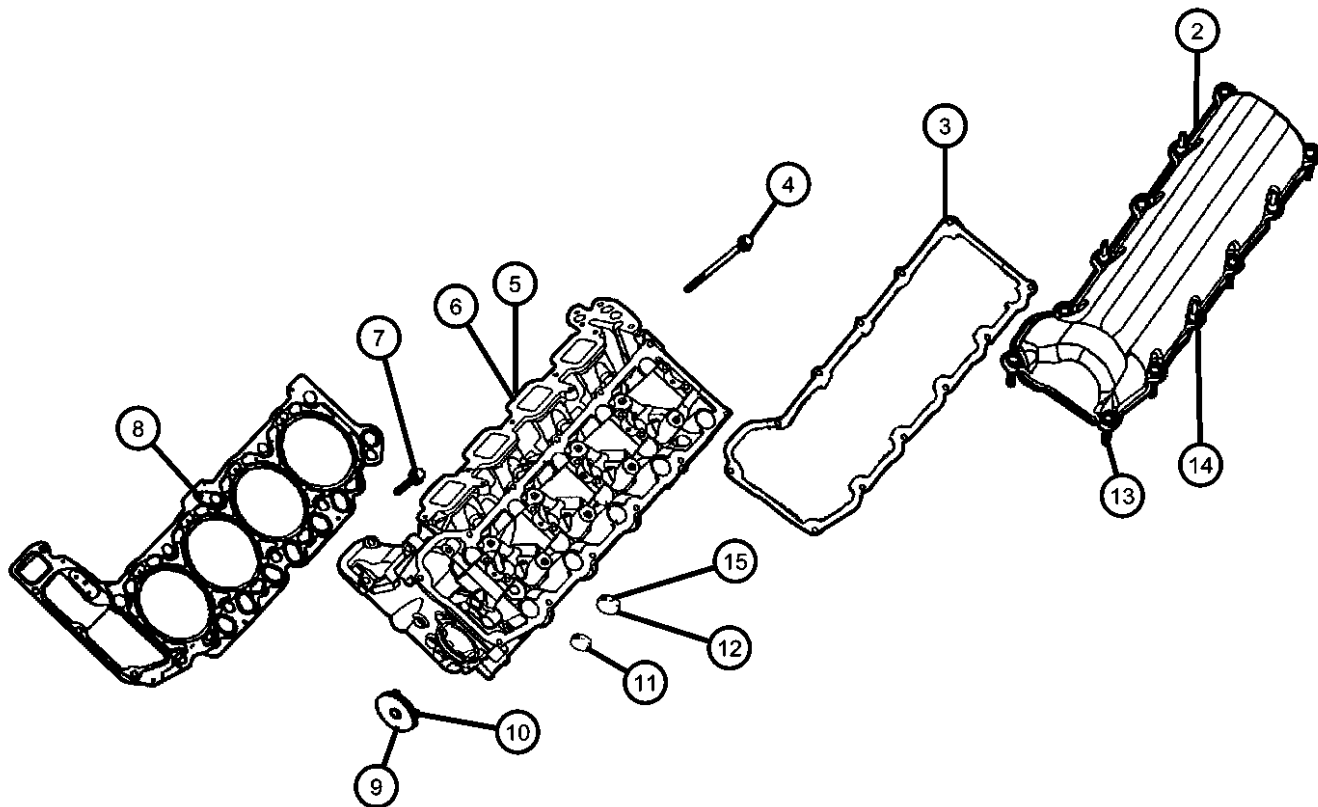
TRANSMISSION
DGQ = 5-Spd Automatic 5-45RFE Transmission
DGJ = 5-Speed Automatic MB Transmission

AR = use ase required - = Non illustrated part

2006 XK

**Cylinder Head, 4.7L, [EVA]
Figure 4.7L-205**

ITEM	PART NUMBER	QTY	LINE	SERIES	BODY	ENGINE	TRANS	TRIM	DESCRIPTION
14	06034331	2							STUD, Serviced in Cylinder Head Cover, (NOT SERVICED)
15	06036307AA	1				EVA			PLUG, Oil Gallery Rear Of Cylinder Head



NEW JEEP (XK)

SERIES LINE
H = HIGHLINE T = JEEP - 2WD
P = PREMIUM J = JEEP - 4WD

BODY
74 = SPORT UTILITY 4-DR

ENGINE
EKG = 3.7L V6 Engine
EVA = 4.7L V8 MPI Engine
EZB = 5.7L Hemi Multi Displacement Engine

TRANSMISSION
DGQ = 5-Spd Automatic 5-45RFE Transmission
DGJ = 5-Speed Automatic MB Transmission

AR = use ase required - = Non illustrated part

**Cylinder Block, 4.7L [EVA]
Figure 4.7L-305**

ITEM	PART NUMBER	QTY	LINE	SERIES	BODY	ENGINE	TRANS	TRIM	DESCRIPTION
------	-------------	-----	------	--------	------	--------	-------	------	-------------

NOTE:

Lower Gasket Package contains: Front and Rear Crankshaft Seals, Oil Pick Up Tube Seal, Oil Pan, Chain Case and Water Pump Gaskets, Chain C

Sales Codes:

[DGJ] = 5-Speed Automatic W5A580 Transmission

[DGQ] = 5-Speed Automatic 5-45RFE Transmission

[DG0] = All Automatic Transmissions

[EKG] = 3.7L "Magnum" V-6 Engine

[EK0] = All 3.7L 6-Cylinder Gas Engines

[EVA] = 4.7L "Magnum" V-8 Engine

[EV0] = All 4.7L 8-Cylinder Gas Engines

[EZB] = 5.7L Hemi Multi Displacement Engine

[EZ0] = All 5.7L 8-Cylinder Gas Engines

[NAA] = Federal Emissions

[NAE] = California Emissions

[NAS] = 50 State Emissions

-1	05135798AB	1				EVA	DG0		GASKET PACKAGE, Engine Lower
2	05102738AD	1				EVA	DG0		BLOCK, SHORT
3	05240849	4				EK0, EV0			DOWEL, Cylinder Block to Cylinder Head, Mounting
4	06036114AA	4				EK0, EV0			PLUG, Pipe, Cylinder Block Oil Hole
5	53010533AA	2				EV0			DOWEL, Cylinder Block to Front Cover, Mounting
6	06505457AA	3				EV0			PIN, Cylinder Block to Bedplate, Mounting
7	56027117	1				EK0, EV0			CORD, Engine Block Heater
8	82203640AB	1							HEATER PACKAGE, Engine Block
9									PLUG
	06034366	2				EV0			
	06036592AA	2				EV0			Cylinder Block Water Jacket Drain
10	06034804	10				EV0			PLUG, Core, 1.39 Diameter, Cylinder Block Water Jacket
11	01122532	2				EK0, EV0			DOWEL, Block To Clutch HousingMounting

NEW JEEP (XK)

SERIES LINE
H = HIGHLINE T = JEEP - 2WD
P = PREMIUM J = JEEP - 4WD

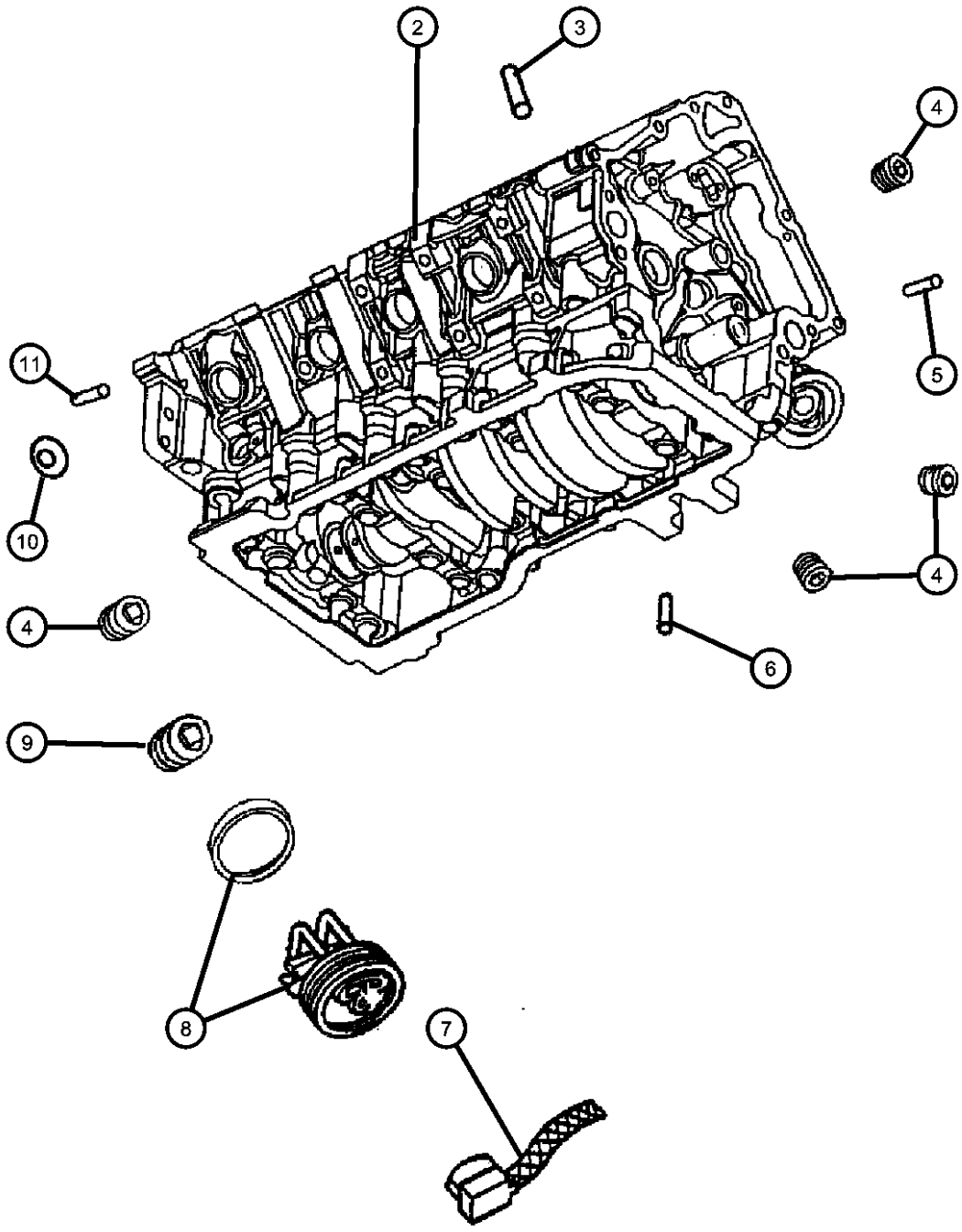
BODY
74 = SPORT UTILITY 4-DR

ENGINE
EKG = 3.7L V6 Engine
EVA = 4.7L V8 MPI Engine
EZB = 5.7L Hemi Multi Displacement Engine

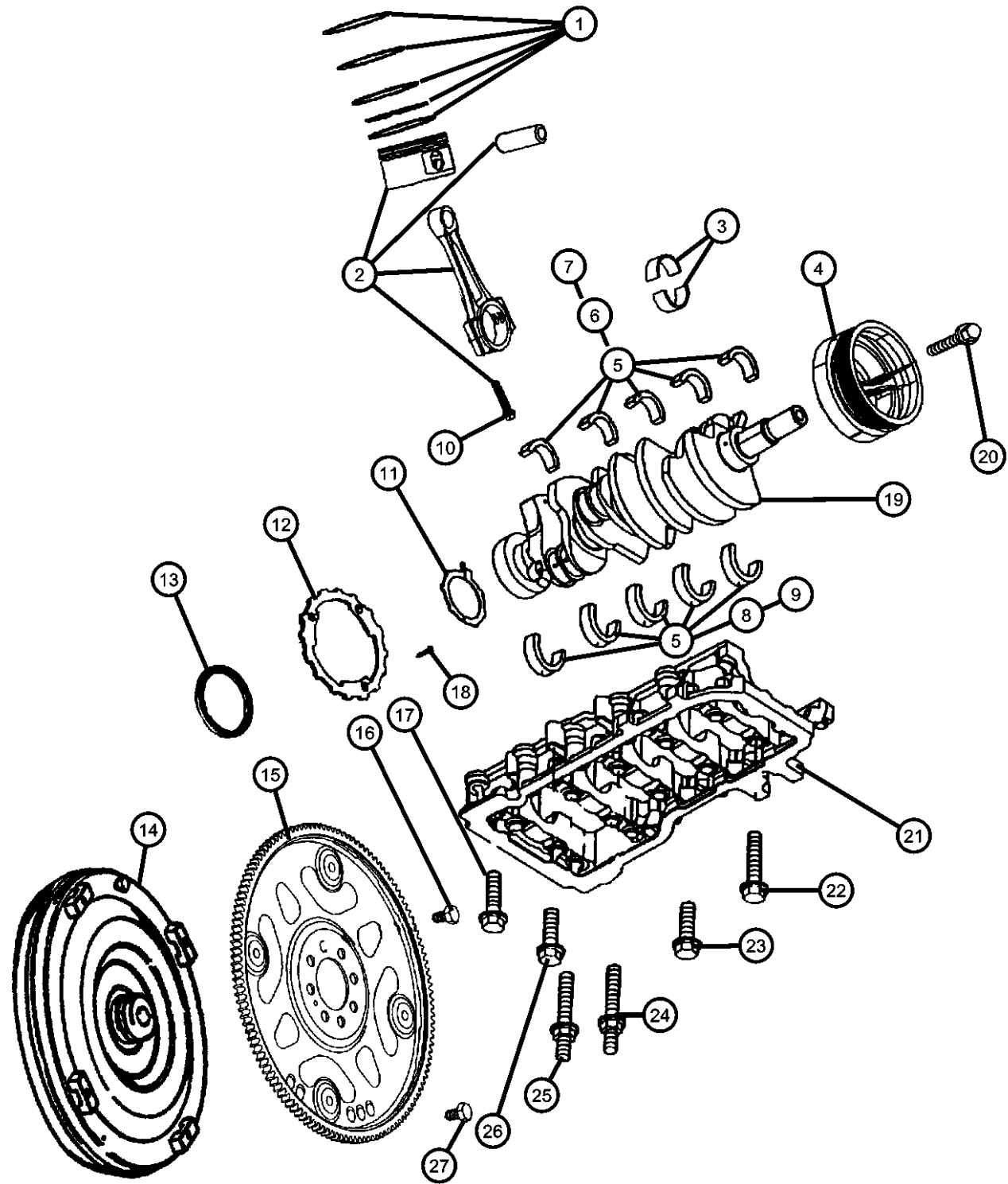
TRANSMISSION
DGQ = 5-Spd Automatic 5-45RFE Transmission
DGJ = 5-Speed Automatic MB Transmission

AR = use ase required - = Non illustrated part

2006 XK



**Crankshaft,Pistons, Bearings, Torque Converter And Flywheel 4.7L [EVA]
Figure 4.7L-405**



ITEM	PART NUMBER	QTY	LINE	SERIES	BODY	ENGINE	TRANS	TRIM	DESCRIPTION
------	-------------	-----	------	--------	------	--------	-------	------	-------------

NOTE: For Crankshaft Identification, Stamping Location and Bearing Information Refer to the Service Manual.
For Bearing Selection Sizes Please Refer To Service Manual Group 9, Bearings Crankshaft Main, [Select Fit Identification]

Sales Codes:
 [DGJ] = 5-Speed Automatic W5A580 Transmission
 [DGQ] = 5-Speed Automatic 5-45RFE Transmission
 [DG0] = All Automatic Transmissions
 [EKG] = 3.7L "Magnum" V-6 Engine
 [EK0] = All 3.7L 6-Cylinder Gas Engines
 [EVA] = 4.7L "Magnum" V-8 Engine
 [EV0] = All 4.7L 8-Cylinder Gas Engines
 [EZB] = 5.7L Hemi Multi Displacement Engine
 [EZ0] = All 5.7L 8-Cylinder Gas Engines
 [NAA] = Federal Emissions
 [NAE] = California Emissions
 [NAS] = 50 State Emissions

1	05012364AD	8				EVA			RING PACKAGE, Piston, Standard Size
2	05012362AC	8				EVA			PISTON PIN AND ROD, STD
3	05012363AC	16				EVA			BEARING PACKAGE, Connecting Rod, Standard
4	53020689AB	1				EK0, EVA			DAMPER, Crankshaft
5	05014183AA	5				EVA			BEARING PACKAGE, Crankshaft, A Grade
6	05013586AB	5				EVA			BEARING PACKAGE, Crankshaft, B Grade
7	05014186AA	5				EVA			BEARING PACKAGE, Crankshaft, C Grade
8	05013587AA	5				EV0			BEARING PACKAGE, Crankshaft, .025mm Undersize
9	05013588AA	5				EV0			BEARING PACKAGE, Crankshaft, .25mm Undersize
10	06503928	16				EVA			BOLT, Connecting Rod
11	05012356AC	1				EK0, EV0			WASHER PACKAGE, Washer
12	05012356AC	1							TONE RING, Sensor, Serviced in Crankshaft Assembly, (NOT SERVICED)
13	53020788AB	1				EK0, EV0			SEAL, Crankshaft Bearing Oil
14	04736352AA	1		T		EV0	DGQ		TORQUE CONVERTER
		1		J		EV0	DGQ		
15	04736604AA	1				EV0	DG0		PLATE, Torque Converter Drive
16	06503465	8				EK0, EV0	DG0		BOLT, Drive Plate and Flywheel, To Crankshaft, Mounting
17	06504411	7				EV0			SCREW, Crankshaft Bearing, Mounting

NEW JEEP (XK)

SERIES LINE
 H = HIGHLINE T = JEEP - 2WD
 P = PREMIUM J = JEEP - 4WD

BODY
 74 = SPORT UTILITY 4-DR

ENGINE
 EKG = 3.7L V6 Engine
 EVA = 4.7L V8 MPI Engine
 EZB = 5.7L Hemi Multi Displacement Engine

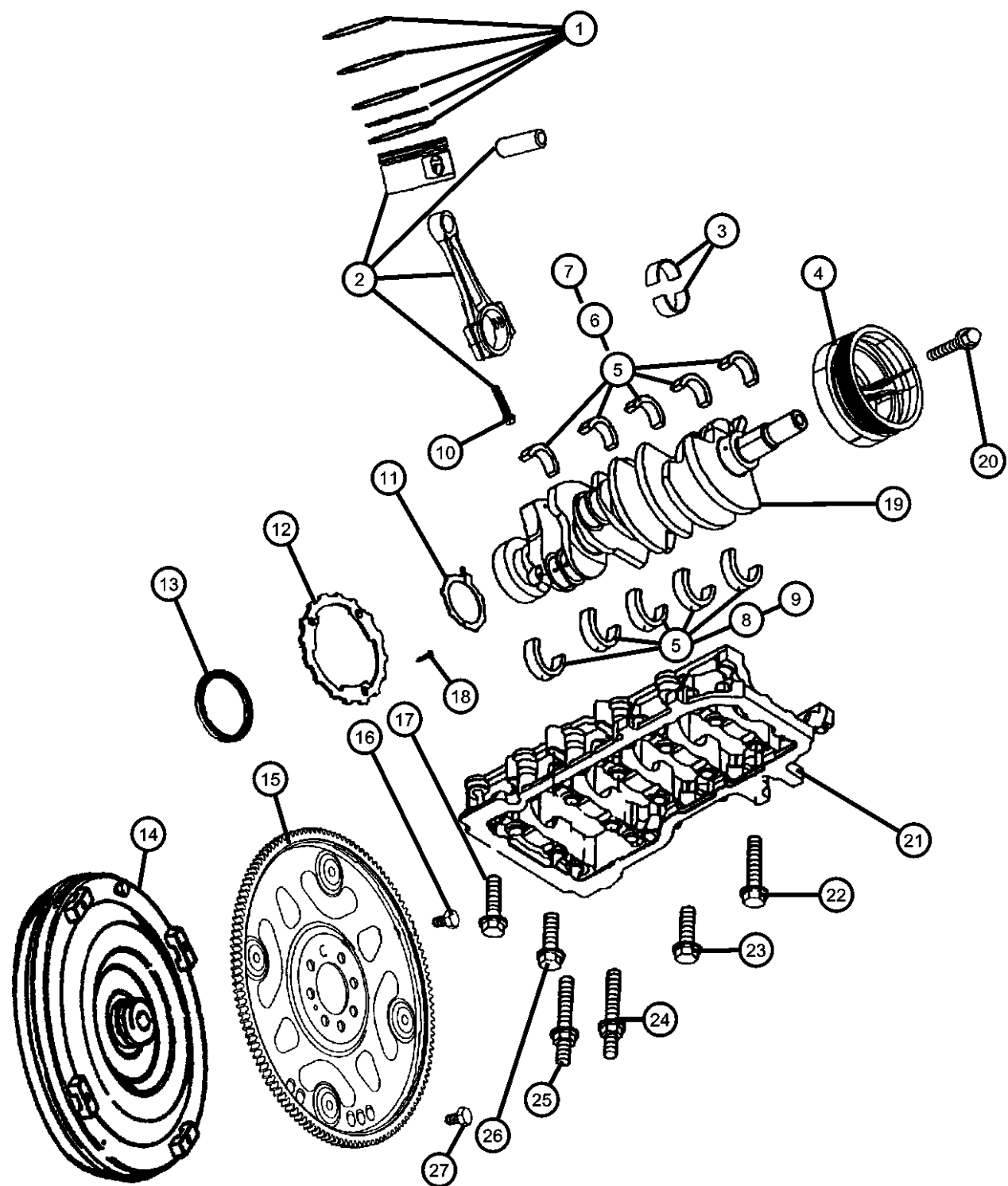
TRANSMISSION
 DGQ = 5-Spd Automatic 5-45RFE Transmission
 DGJ = 5-Speed Automatic MB Transmission

AR = use ase required - = Non illustrated part

2006 XK

**Crankshaft,Pistons, Bearings, Torque Converter And Flywheel 4.7L [EVA]
Figure 4.7L-405**

ITEM	PART NUMBER	QTY	LINE	SERIES	BODY	ENGINE	TRANS	TRIM	DESCRIPTION
18	06504480	3				EVA	DG0		SCREW, M6x1x25, Tone Ring, Mounting
19	53021387AA	1				EVA	DG0		CRANKSHAFT
20	06504415	1				EK0, EV0			SCREW AND WASHER, Damper to Crankshaft, Mounting
21	06504415	1							BEDPLATE, Serviced in Short Block Assembly, (NOT SERVICED)
22	06505394AA	7				EV0			SCREW AND WASHER, M11x1.50x90.0, Crankshaft Bearing, Mounting
23	06504410	5				EV0			SCREW, Hex Head, M10x1.50x55.00, Crankshaft Bearing, Mounting
24	06506186AA	1				EV0			STUD, M11x1.50xM8x1.25x118.50, Crankshaft Bearing, Mounting
25	06506187AA	2				EV0			STUD, M11x1.50xM8x1.25x142.75, Crankshaft Bearing, Mounting
26	06102047AA	6				EV0			SCREW, Hex Head, M8x1.25x50, M8x1.25x50.00, Crankshaft Bearing, Mounting
27	01949765	4				EV0, EZ0	DG0		SCREW, Hex Head Header Point, .312-24x.44, Drive Plate to Torque Converter, Mounting



NEW JEEP (XK)

SERIES	LINE
H = HIGHLINE	T = JEEP - 2WD
P = PREMIUM	J = JEEP - 4WD

BODY
74 = SPORT UTILITY 4-DR

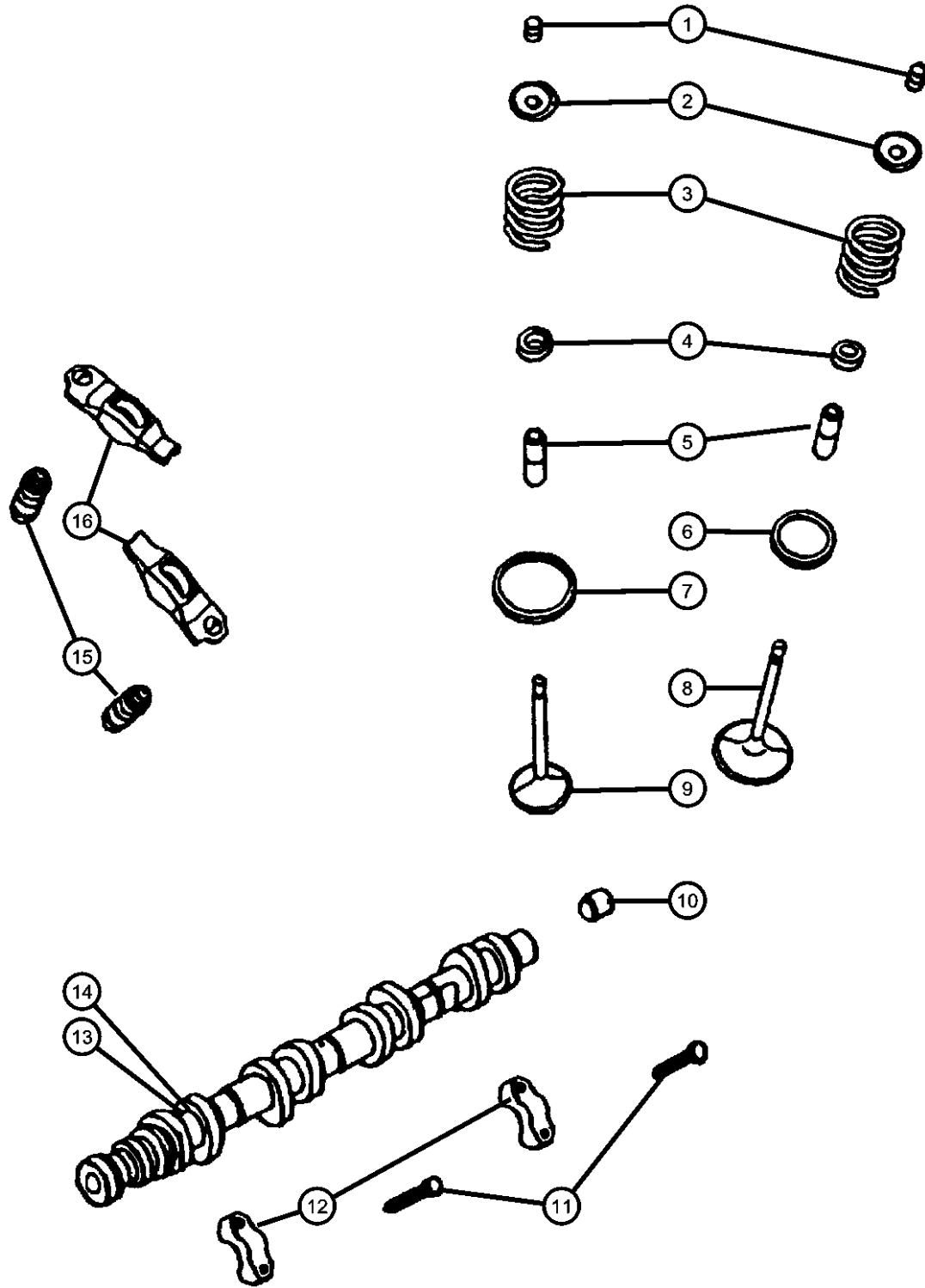
ENGINE
EKG = 3.7L V6 Engine
EVA = 4.7L V8 MPI Engine
EZB = 5.7L Hemi Multi Displacement Engine

TRANSMISSION
DGQ = 5-Spd Automatic 5-45RFE Transmission
DGJ = 5-Speed Automatic MB Transmission

AR = use ase required - = Non illustrated part

2006 XK

**Camshaft And Valves, 4.7L [EVA]
Figure 4.7L-505**



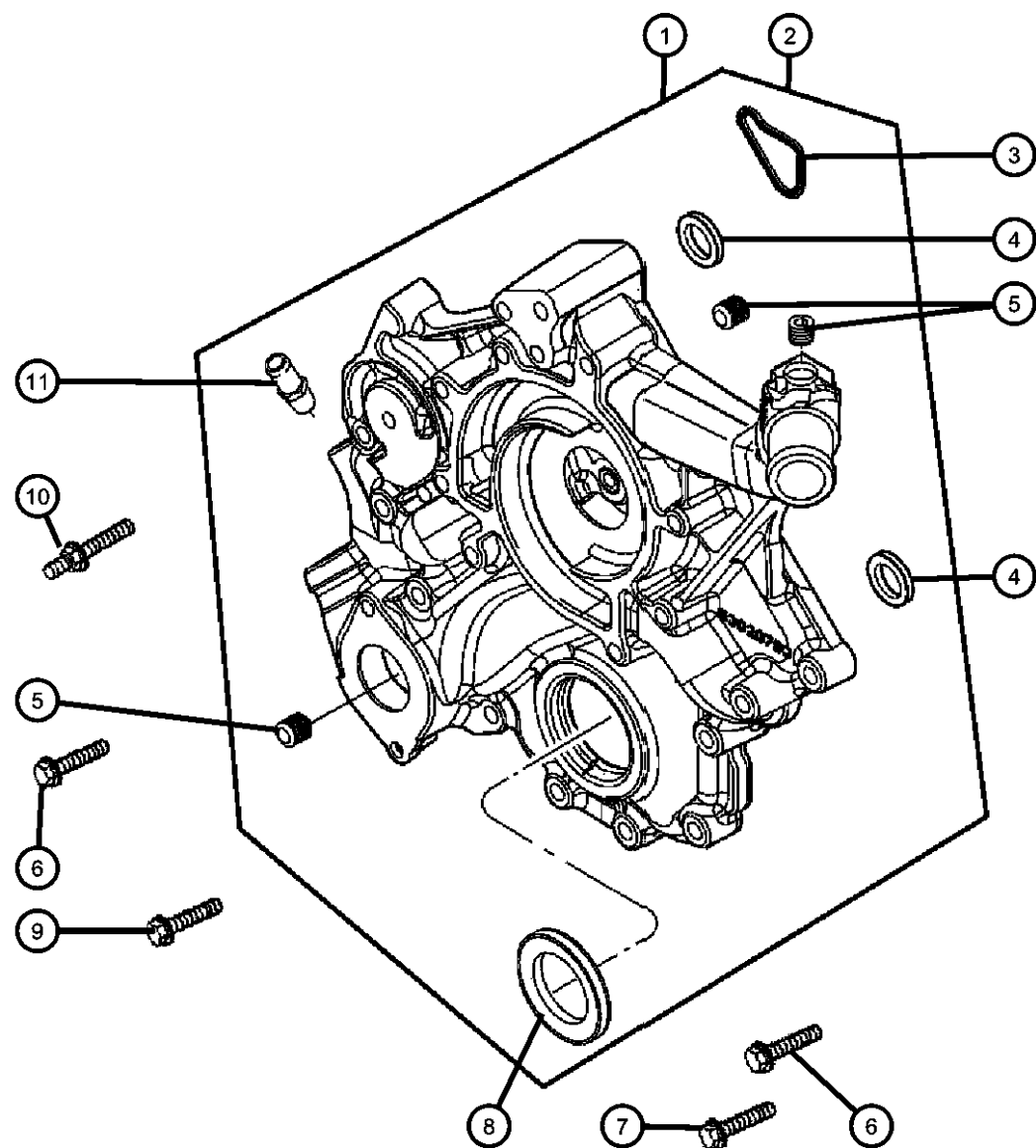
ITEM	PART NUMBER	QTY	LINE	SERIES	BODY	ENGINE	TRANS	TRIM	DESCRIPTION
NOTE: Sales Codes: [DGJ] = 5-Speed Automatic W5A580 Transmission [DGQ] = 5-Speed Automatic 5-45RFE Transmission [DG0] = All Automatic Transmissions [EKG] = 3.7L "Magnum" V-6 Engine [EK0] = All 3.7L 6-Cylinder Gas Engines [EVA] = 4.7L "Magnum" V-8 Engine [EV0] = All 4.7L 8-Cylinder Gas Engines [EZB] = 5.7L Hemi Multi Displacement Engine [EZ0] = All 5.7L 8-Cylinder Gas Engines [NAA] = Federal Emissions [NAE] = California Emissions [NAS] = 50 State Emissions									
1	04536513AB	32				EVO			LOCK, Valve Spring Retainer
2	04781090AA	16				EVA			RETAINER, Valve Spring
3	53020749AC	16				EVA			SPRING, Valve
4	53020752AD	16				EVO			SEAL, Valve Guide
5	53020752AD	16							GUIDE, Intake/Exhaust Valve, Standard Size, Serviced in Cylinder Head Assembly, (NOT SERVICED)
6	53020752AD	16							INSERT, Exhaust Valve, Serviced in Cylinder Head Assembly, (NOT SERVICED)
7	53020752AD	16							INSERT, Intake Valve, Serviced in Cylinder Head Assembly, (NOT SERVICED)
8	53020748	8				EVA			VALVE, Exhaust, Standard
9	53020747AB	8				EVO			VALVE, Intake, Standard
10	06036473AA	1				EVA			PLUG, Camshaft
11	06505034AA	10				EVA			SCREW, M6x1x40, Camshaft Cap, Mounting
12	06505034AA	10							CAP, Serviced in Cylinder Head Assembly, (NOT SERVICED)
13	53021159AD	1				EVA			CAMSHAFT, Engine, Left
14	53021160AD	1				EVA			CAMSHAFT, Engine, Right
15	53021077	16				EVO			ADJUSTER, Valve Lash
16	53020742AC	16				EVO			ROCKER ARM, Valve

NEW JEEP (XK)			
SERIES	LINE	BODY	ENGINE
H = HIGHLINE	T = JEEP - 2WD	74 = SPORT UTILITY 4-DR	EKG = 3.7L V6 Engine
P = PREMIUM	J = JEEP - 4WD		EVA = 4.7L V8 MPI Engine
			EZB = 5.7L Hemi Multi Displacement Engine
			TRANSMISSION
			DGQ = 5-Spd Automatic 5-45RFE Transmission
			DGJ = 5-Speed Automatic MB Transmission

AR = use ase required - = Non illustrated part

**Timing Cover, 4.7L [EVA]
Figure 4.7L-605**

ITEM	PART NUMBER	QTY	LINE	SERIES	BODY	ENGINE	TRANS	TRIM	DESCRIPTION
------	-------------	-----	------	--------	------	--------	-------	------	-------------



NOTE:

Timing Cover Kit includes all parts in box PLUS the Water Pump and Gasket, Thermostat Housing, Thermostat and Gasket
Chain Case Cover includes all parts in box EXCEPT Water Pump and Gasket, Thermostat Housing, Thermostat and Gasket

Sales Codes:

- [DGJ] = 5-Speed Automatic W5A580 Transmission
- [DGQ] = 5-Speed Automatic 5-45RFE Transmission
- [DG0] = All Automatic Transmissions
- [EKG] = 3.7L "Magnum" V-6 Engine
- [EK0] = All 3.7L 6-Cylinder Gas Engines
- [EVA] = 4.7L "Magnum" V-8 Engine
- [EV0] = All 4.7L 8-Cylinder Gas Engines
- [EZB] = 5.7L Hemi Multi Displacement Engine
- [EZ0] = All 5.7L 8-Cylinder Gas Engines
- [NAA] = Federal Emissions
- [NAE] = California Emissions
- [NAS] = 50 State Emissions

1	05134142AD	1				EV0			COVER KIT, Timing, See Notes, See Notes
2	53021238AB	1				EV0			COVER, Chain Case, See Notes, See Notes
3	53021226AA	1				EV0			GASKET, Chain Case CoverMounting
4	53021239AA	2				EV0			O RING, Chain Case Cover, Mounting
5	06034331	3				EV0			PLUG, Hex Socket, 3/8-18NPTx.475, Chain Case Cover
6	06507776AA	3				EV0			SCREW, Hex Flange Head, M10x1.50x87.00, Chain Case Cover/Water Pump, Mounting
7	06102381AA	5				EK0, EV0			SCREW, Hex Flange Head, M10x1.50x65.00, Chain Case Cover/Water Pump, Mounting
8	53021313AA	1				EV0			SEAL, Crankshaft Oil, Front
9	06102380AA	5				EK0, EV0			SCREW, Hex Flange Head, M10x1.50x45.00, Chain Case Cover/Water Pump, Mounting
10	06505293AA	1				EK0, EV0			STUD, M10x1.50x.437-14x145.20, Chain Case Cover, Mounting
11	06035854	2				EV0			NIPPLE, [.375-18x2.00], Heater Hose

NEW JEEP (XK)

SERIES	LINE	BODY	ENGINE	TRANSMISSION
H = HIGHLINE	T = JEEP - 2WD	74 = SPORT UTILITY 4-DR	EKG = 3.7L V6 Engine	DGQ = 5-Spd Automatic 5-45RFE Transmission
P = PREMIUM	J = JEEP - 4WD		EVA = 4.7L V8 MPI Engine	DGJ = 5-Speed Automatic MB Transmission
			EZB = 5.7L Hemi Multi Displacement Engine	

AR = use ase required - = Non illustrated part

2006 XK

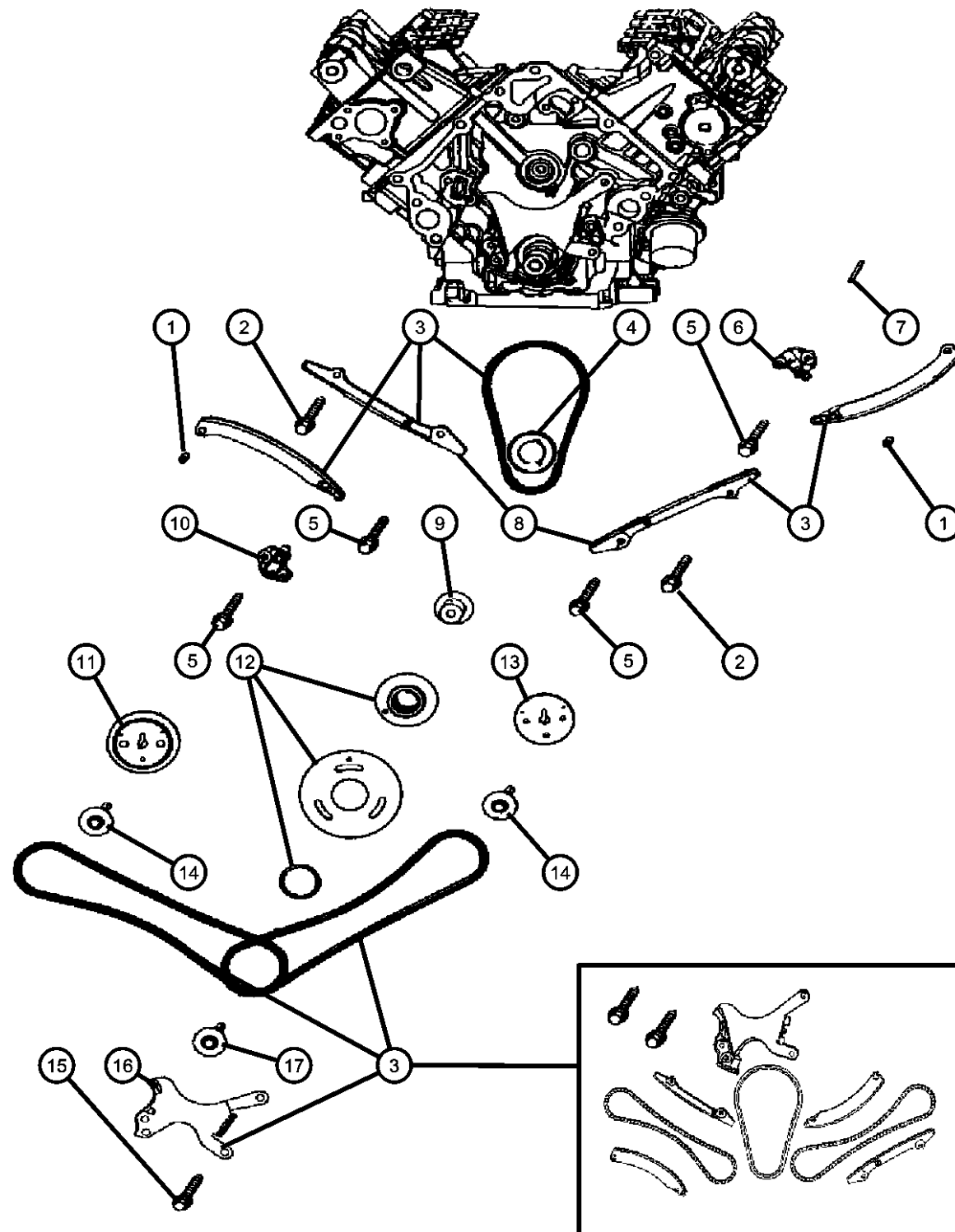
**Timing Chain And Guides, 4.7L [EVA]
Figure 4.7L-610**

ITEM	PART NUMBER	QTY	LINE	SERIES	BODY	ENGINE	TRANS	TRIM	DESCRIPTION
------	-------------	-----	------	--------	------	--------	-------	------	-------------

NOTE:

Sales Codes:

- [DGJ] = 5-Speed Automatic W5A580 Transmission
- [DGQ] = 5-Speed Automatic 5-45RFE Transmission
- [DG0] = All Automatic Transmissions
- [EKG] = 3.7L "Magnum" V-6 Engine
- [EK0] = All 3.7L 6-Cylinder Gas Engines
- [EVA] = 4.7L "Magnum" V-8 Engine
- [EV0] = All 4.7L 8-Cylinder Gas Engines
- [EZB] = 5.7L Hemi Multi Displacement Engine
- [EZ0] = All 5.7L 8-Cylinder Gas Engines
- [NAA] = Federal Emissions
- [NAE] = California Emissions
- [NAS] = 50 State Emissions



1	06504440	2				EV0			SCREW, Secondary Tensioner Arm, Mounting
2	06102111AA	2				EK0, EV0			SCREW AND WASHER, Timing Guide to Cylinder Head, Mounting
3	05013867AC	1				EV0			TIMING DRIVE PACKAGE, Engine
4	53020679	1				EV0			SPROCKET, Crankshaft
5	06503257	6				EV0			BOLT, Hex Head, M8x1.25x37.50, Chain Guide and Secondary Tensioner, Mounting
6	53021168AA	1				EV0			TENSIONER, ChainLeft
7	06504471	1				EK0, EV0			KEY, Woodruff, For Crankshaft Sprocket
8	53021796AA	2				EV0			GUIDE, Timing Chain
9	53020835	1				EK0, EV0			SHAFT, Idler
10	53020779	1				EV0			TENSIONER, Chain, Secondary Right
11	53021393AA	1				EV0			SPROCKET, Camshaft, Right
12	05013868AB	1	J, T			EV0			SPROCKET, Idler
13	53020938	1				EV0			SPROCKET, Camshaft, Left
14	06504429	2				EK0, EV0			SCREW AND WASHER, Hex, Sprocket to Camshaft, Mounting
15	06100932	1				EK0, EV0			BOLT, Hex, Oil Pump To Engine Block, Mounting
16	53020681	1				EK0, EV0			TENSIONER, Chain, Primary
17	06504370	1				EK0, EV0			SCREW AND WASHER, Hex, Idler Sprocket to Engine Block, Mounting

NEW JEEP (XK)

SERIES LINE
H = HIGHLINE T = JEEP - 2WD
P = PREMIUM J = JEEP - 4WD

BODY
74 = SPORT UTILITY 4-DR

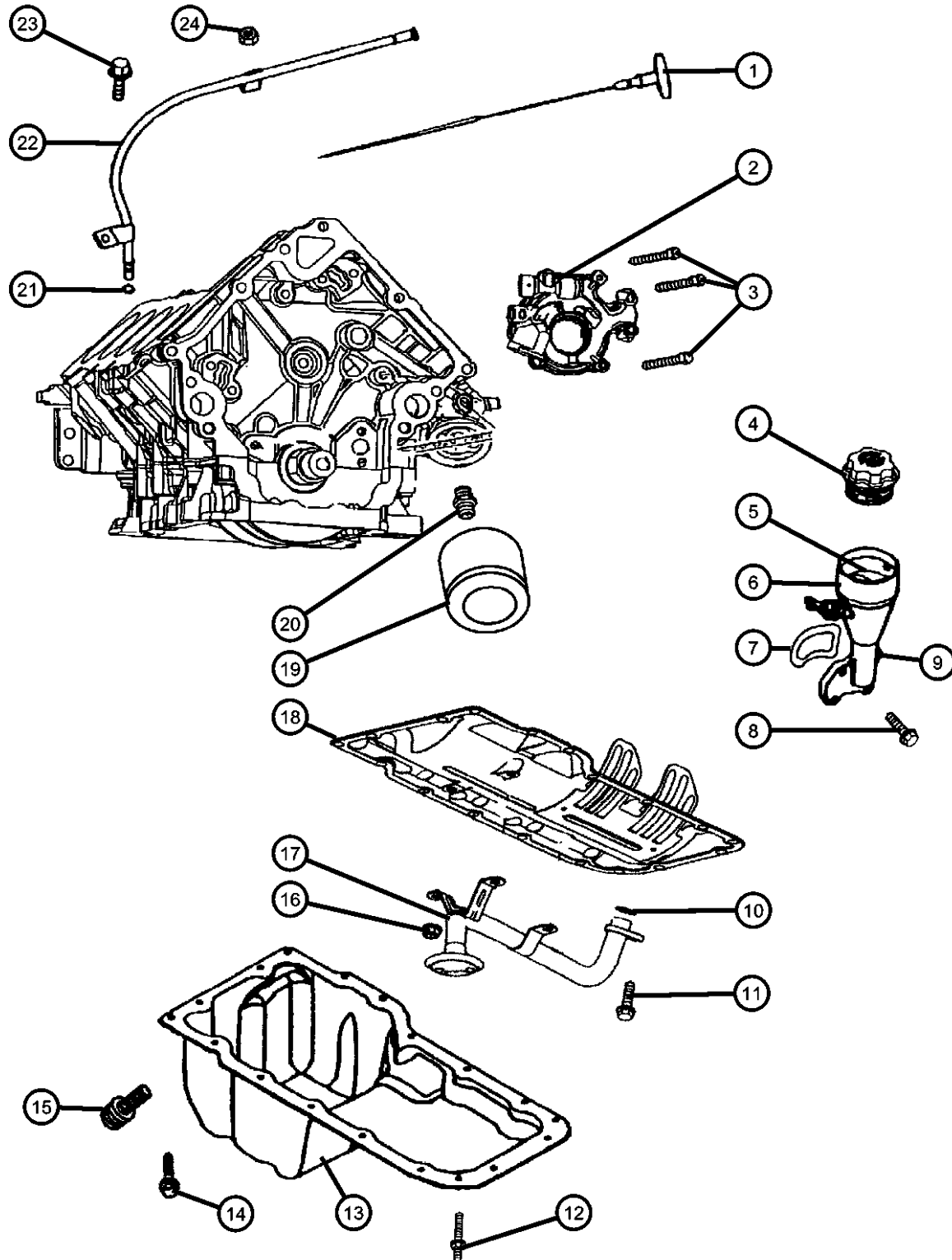
ENGINE
EKG = 3.7L V6 Engine
EVA = 4.7L V8 MPI Engine
EZB = 5.7L Hemi Multi Displacement Engine

TRANSMISSION
DGQ = 5-Spd Automatic 5-45RFE Transmission
DGJ = 5-Speed Automatic MB Transmission

AR = use ase required - = Non illustrated part

2006 XK

**Engine Oiling 4.7L [EVA]
Figure 4.7L-705**



NOTE:

Sales Codes:

- [DGJ] = 5-Speed Automatic W5A580 Transmission
- [DGQ] = 5-Speed Automatic 5-45RFE Transmission
- [DG0] = All Automatic Transmissions
- [EKG] = 3.7L "Magnum" V-6 Engine
- [EK0] = All 3.7L 6-Cylinder Gas Engines
- [EVA] = 4.7L "Magnum" V-8 Engine
- [EV0] = All 4.7L 8-Cylinder Gas Engines
- [EZB] = 5.7L Hemi Multi Displacement Engine
- [EZ0] = All 5.7L 8-Cylinder Gas Engines
- [NAA] = Federal Emissions
- [NAE] = California Emissions
- [NAS] = 50 State Emissions

ITEM	PART NUMBER	QTY	LINE	SERIES	BODY	ENGINE	TRANS	TRIM	DESCRIPTION
1	53021749AD	1				EV0			INDICATOR, Engine Oil Level
2	53020827AB	1				EK0, EV0			PUMP, Engine Oil
3	06100932	2				EK0, EV0			BOLT, Hex, Primary Tensioner to Engine Block, Mounting
4	53034048AA	1				EV0			CAP, Oil Filler
5	53034048AA	1							BAFFLE, Oil Fill, None, (NOT REQUIRED)
6	53020891AE	1				EV0			HOUSING, Oil Fill
7	53020889AC	1				EV0			GASKET, Oil Fill HousingMounting
8	06505504AA	3				EK0, EV0			SCREW, Oil Fill Housing To Cylinder Block, Mounting
9	06505566AA	1				EK0, EV0			STUD, Oil Fill Housing To Cylinder Block, Mounting
10	53020861	1				EK0, EV0			SEAL, Oil Pick Up TubeMounting
11	06102046AA	1				EK0, EV0			SCREW AND WASHER, Oil Pick Up Tube, Mounting
12	06508066AA	1				EV0			STUD, Oil Pick Up Tube, Mounting
13	53021756AA	1				EV0			PAN, Engine Oil, Includes 15
14	06504810AA	17				EV0			SCREW AND WASHER, Hex, Engine Oil Pan, Mounting
15	06506100AA	1				EV0			PLUG, Oil Drain
16	06502756	3				EV0			NUT, Hex Lock, M8x1.25, Oil Pick Up Tube, Mounting
17	53020828	1				EV0			TUBE, Oil Pickup
18	53020675AE	1				EV0			GASKET, Oil Pan
19	05281090	1				EV0			FILTER, Engine Oil
	0FE00292								Canadian Aftermarket Part
	05281090BA								BULK PACK (12)

NEW JEEP (XK)

SERIES LINE
H = HIGHLINE T = JEEP - 2WD
P = PREMIUM J = JEEP - 4WD

BODY
74 = SPORT UTILITY 4-DR

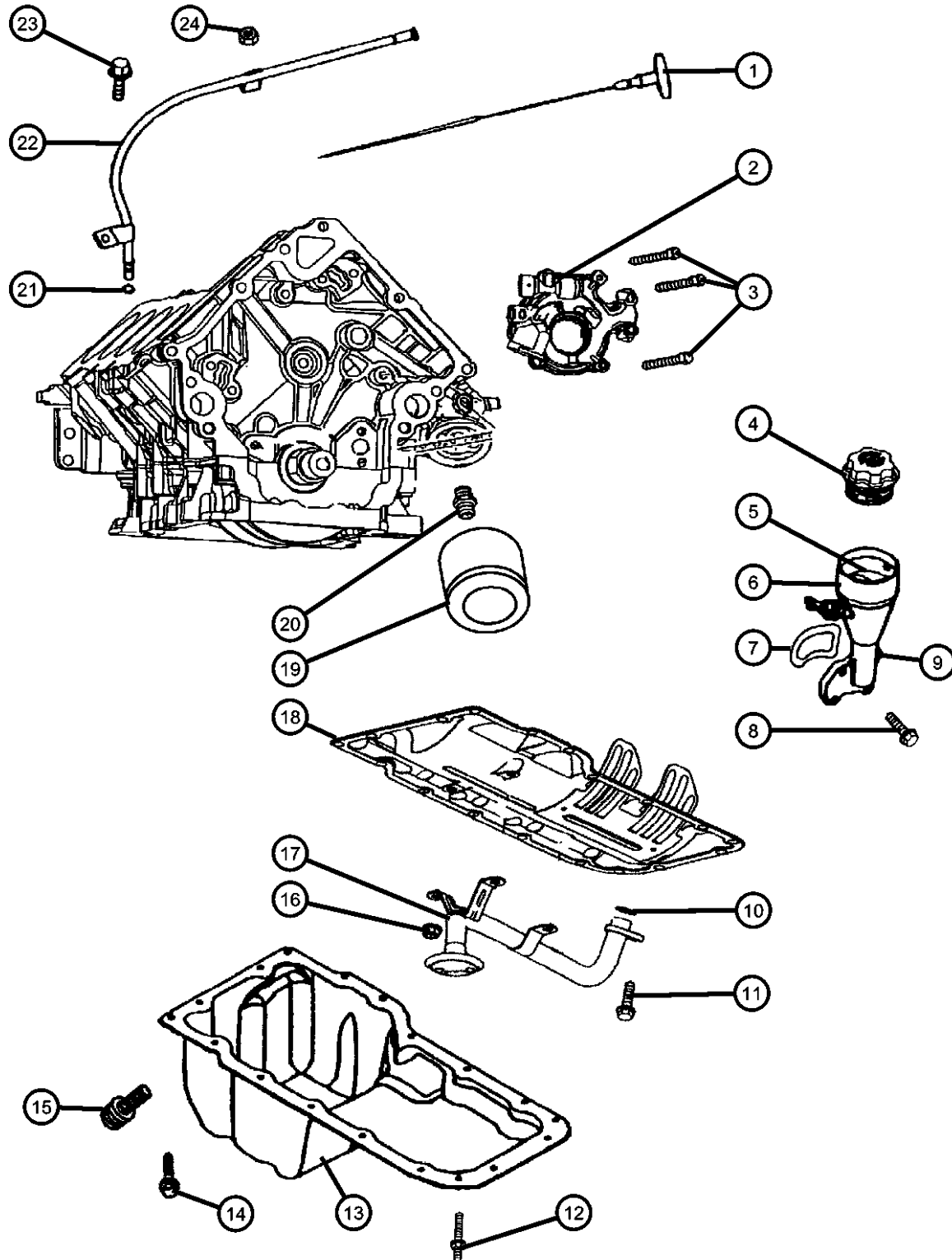
ENGINE
EKG = 3.7L V6 Engine
EVA = 4.7L V8 MPI Engine
EZB = 5.7L Hemi Multi Displacement Engine

TRANSMISSION
DGQ = 5-Spd Automatic 5-45RFE Transmission
DGJ = 5-Speed Automatic MB Transmission

AR = use ase required - = Non illustrated part

2006 XK

**Engine Oiling 4.7L [EVA]
Figure 4.7L-705**



ITEM	PART NUMBER	QTY	LINE	SERIES	BODY	ENGINE	TRANS	TRIM	DESCRIPTION
	77060018								Performance Mobil 1, 15W - 50 Tri-Synthetic Engine Oil-Recommended Fill for 6.1L & 8.3L
	P5007323								Performance Mobil 1, 5W - 30 Tri-Synthetic Engine Oil, Quart
20	53007563	1				EK0, EVO			CONNECTOR, Oil FilterMounting
21	53021144AA	1				EVO			O RING, Engine Oil IndicatorMounting
22	53021743AB	1				EVO			TUBE, Engine Oil Indicator
23	06504810AA	1				EK0, EVO			SCREW AND WASHER, Hex, Engine Oil Indicator Tube, Mounting
24	06101802	1				EVO			NUT, Engine Oil Indicator Tube, Mounting

NEW JEEP (XK)

SERIES	LINE
H = HIGHLINE	T = JEEP - 2WD
P = PREMIUM	J = JEEP - 4WD

BODY
74 = SPORT UTILITY 4-DR

ENGINE
EKG = 3.7L V6 Engine
EVA = 4.7L V8 MPI Engine
EZB = 5.7L Hemi Multi Displacement Engine

TRANSMISSION
DGQ = 5-Spd Automatic 5-45RFE Transmission
DGJ = 5-Speed Automatic MB Transmission

AR = use ase required - = Non illustrated part

2006 XK

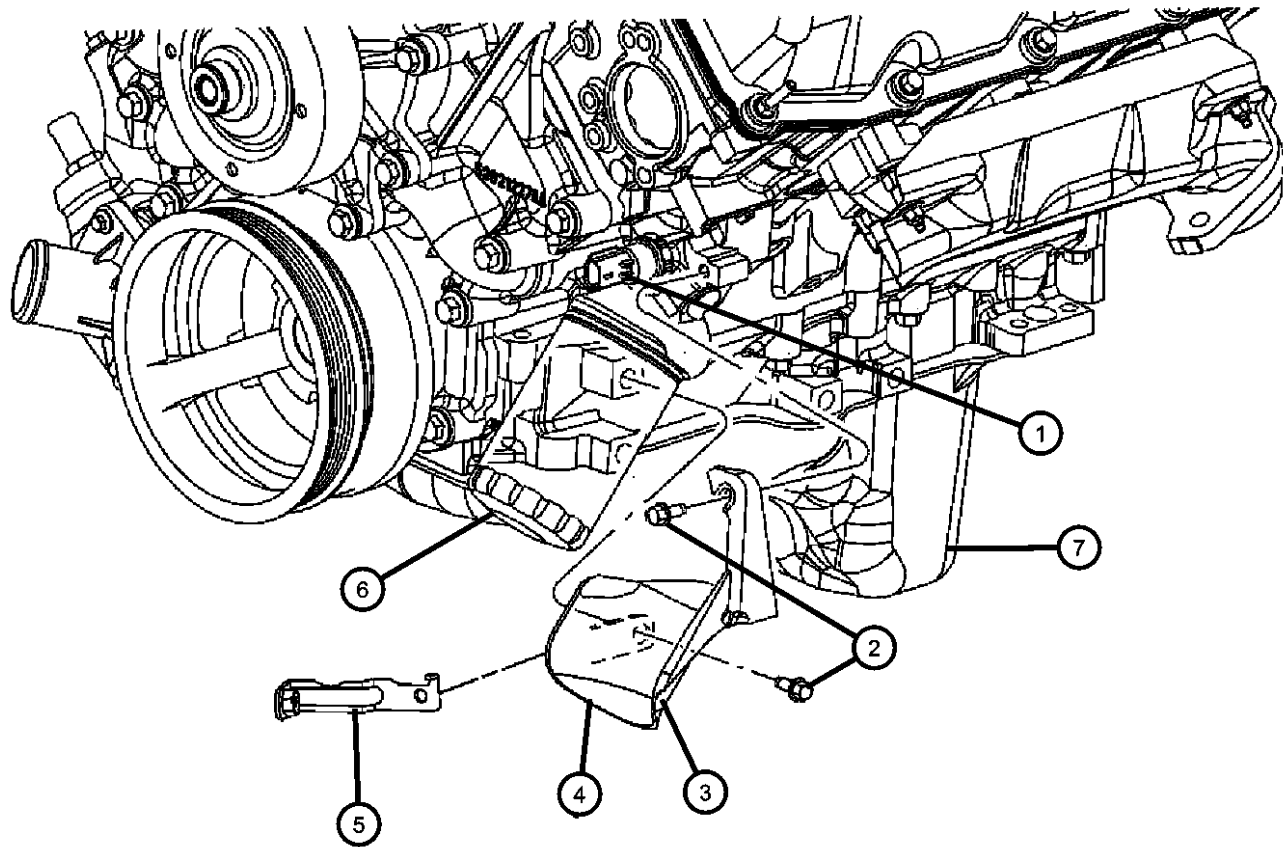
**Engine Oil Filter And Splash Guard 3.7L [EKG]
Figure 4.7L-710**

ITEM	PART NUMBER	QTY	LINE	SERIES	BODY	ENGINE	TRANS	TRIM	DESCRIPTION
------	-------------	-----	------	--------	------	--------	-------	------	-------------

NOTE:

Sales Codes:

- [DGJ] = 5-Speed Automatic W5A580 Transmission
- [DGQ] = 5-Speed Automatic 545RFE Transmission
- [DG0] = All Automatic Transmissions
- [DHX] = Quadra -Trac 2 Full Time Active NVG 245 Transfer Case
- [DHZ] = Quadra -Trac 1 Full time 4WD NVG 140 Transfer Case
- [EKG] = 3.7L [Magnum] V-6 Engine
- [EK0] = All 3.7L 6-Cylinder Gas Engines
- [EVA] = 4.7L [Magnum] V-8 Engine
- [EVD] = 4.7L V-8 FFV Engine
- [EV0] = All 4.7L 8-Cylinder Gas Engines
- [EZB] = 5.7L Hemi Multi-Displacement Engine
- [EZ0] = All 5.7L 8-Cylinder Gas Engines
- [NAA] = Federal Emissions
- [NAE] = California Emissions
- [NAS] = 50 State Emissions
- [NA1] = Export Emissions
- [XEF] = Transfer Case Skid Plate Shield



1	05149097AA	1				EK0, EV0			SWITCH, Oil Pressure
2									SCREW, Hex Head, [M8X1.25X25.00]
	06505178AA	1				EK0, EV0			Bracket To Cradle, Mounting
		1				EK0, EV0			Splash Guard To Cradle, Mounting
		1				EK0, EV0			Splash Guard To Bracket, Mounting
3	53013815AA	1	J, T			EK0			SPLASH GUARD, Engine Oil
4	53013710AC	1	J, T			EK0, EV0			GUARD, SplashSecondary
5	53013737AC	1	J, T			EK0, EV0			BRACKET
6	04781452BB	1	J, T			EK0			FILTER, Engine Oil
7	53021755AA	1	J, T			EK0			PAN, Engine Oil

NEW JEEP (XK)

SERIES LINE
H = HIGHLINE T = JEEP - 2WD
P = PREMIUM J = JEEP - 4WD

BODY
74 = SPORT UTILITY 4-DR

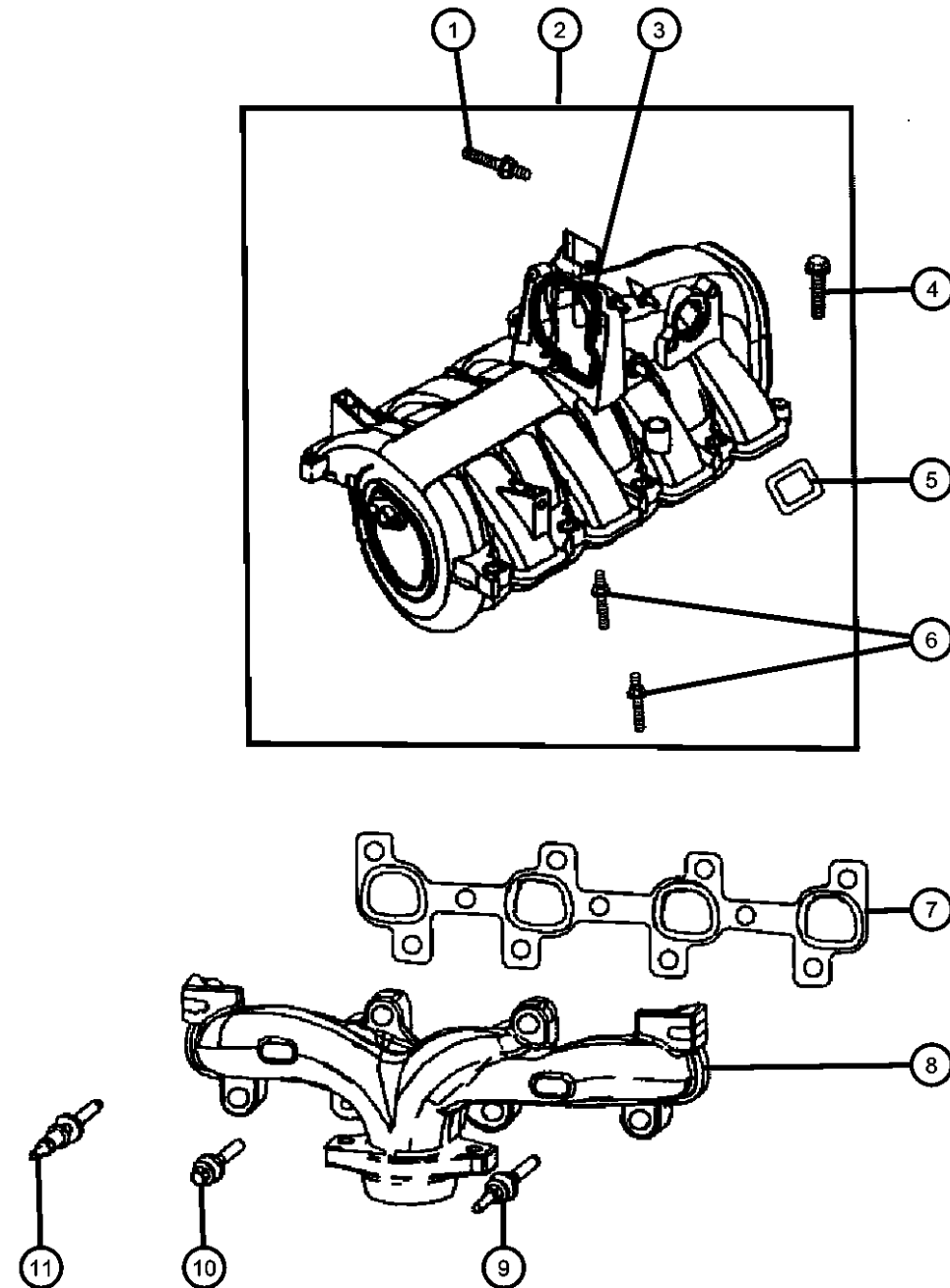
ENGINE
EKG = 3.7L V6 Engine
EVA = 4.7L V8 MPI Engine
EZB = 5.7L Hemi Multi
Displacement Engine

TRANSMISSION
DGQ = 5-Spd Automatic 5-45RFE
Transmission
DGJ = 5-Speed Automatic MB
Transmission

AR = use ase required - = Non illustrated part

2006 XK

**Manifolds, Intake and Exhaust 4.7L [EVA]
Figure 4.7L-805**



ITEM	PART NUMBER	QTY	LINE	SERIES	BODY	ENGINE	TRANS	TRIM	DESCRIPTION
------	-------------	-----	------	--------	------	--------	-------	------	-------------

NOTE:

Sales Codes:

- [DGJ] = 5-Speed Automatic W5A580 Transmission
- [DGQ] = 5-Speed Automatic 5-45RFE Transmission
- [DG0] = All Automatic Transmissions
- [EKG] = 3.7L "Magnum" V-6 Engine
- [EK0] = All 3.7L 6-Cylinder Gas Engines
- [EVA] = 4.7L "Magnum" V-8 Engine
- [EV0] = All 4.7L 8-Cylinder Gas Engines
- [EZB] = 5.7L Hemi Multi Displacement Engine
- [EZ0] = All 5.7L 8-Cylinder Gas Engines
- [NAA] = Federal Emissions
- [NAE] = California Emissions
- [NAS] = 50 State Emissions

1	06507598AA	1				EV0			STUD, M6x1.00x28.50, Bracket to Intake Manifold, Mounting
2	53032774AA	1				EV0			MANIFOLD, Intake
3	53030952AB	1				EV0			GASKET, Throttle Body To Intake Mounting
4	06507433AA	2				EV0			SCREW, Hex Flange Head, M6x1.00x43.00, Intake Manifold to Cylinder Head, Mounting
5	53010310AB	8				EV0			SEAL, Intake Manifold Mounting
6	06507434AA	8				EV0			STUD, Double Ended, M6x1.00x80.00, Intake Manifold to Cylinder Head, Mounting
7									GASKET, Exhaust Manifold
	53030812	1				EV0			Right
	53030813	1				EV0			Left
8									MANIFOLD, Exhaust
	53013598AB	1				EV0			Right
	53013599AB	1				EV0			Left
9	06508220AA	4				EV0			STUD, Exhaust Manifold, M8x1.25xM6x1x73., Exhaust Manifold to Cylinder Head, Mounting
10	06507746AA	8				EV0			BOLT, Exhaust Manifold, M8x1.25x46.00, Exhaust Manifold to Cylinder Head, Mounting
11	06508219AA	4				EV0			STUD, Exhaust Manifold, M8x1.25xM6x1x73.0, Exhaust Manifold to Cylinder Head, Mounting
-12	04669657	1				EV0			CAP, Vacuum Port, Intake Manifold, Also included in item 2

NEW JEEP (XK)

SERIES	LINE	BODY	ENGINE	TRANSMISSION
H = HIGHLINE	T = JEEP - 2WD	74 = SPORT UTILITY 4-DR	EKG = 3.7L V6 Engine	DGQ = 5-Spd Automatic 5-45RFE Transmission
P = PREMIUM	J = JEEP - 4WD		EVA = 4.7L V8 MPI Engine	DGJ = 5-Speed Automatic MB Transmission
			EZB = 5.7L Hemi Multi Displacement Engine	

AR = use ase required - = Non illustrated part

2006 XK

**Crankcase Ventilation, 4.7L [EVA]
Figure 4.7L-905**

ITEM	PART NUMBER	QTY	LINE	SERIES	BODY	ENGINE	TRANS	TRIM	DESCRIPTION
------	-------------	-----	------	--------	------	--------	-------	------	-------------

NOTE:

Sales Codes:

[DGJ] = 5-Speed Automatic W5A580 Transmission

[DGQ] = 5-Speed Automatic 5-45RFE Transmission

[DG0] = All Automatic Transmissions

[EKG] = 3.7L "Magnum" V-6 Engine

[EK0] = All 3.7L 6-Cylinder Gas Engines

[EVA] = 4.7L "Magnum" V-8 Engine

[EV0] = All 4.7L 8-Cylinder Gas Engines

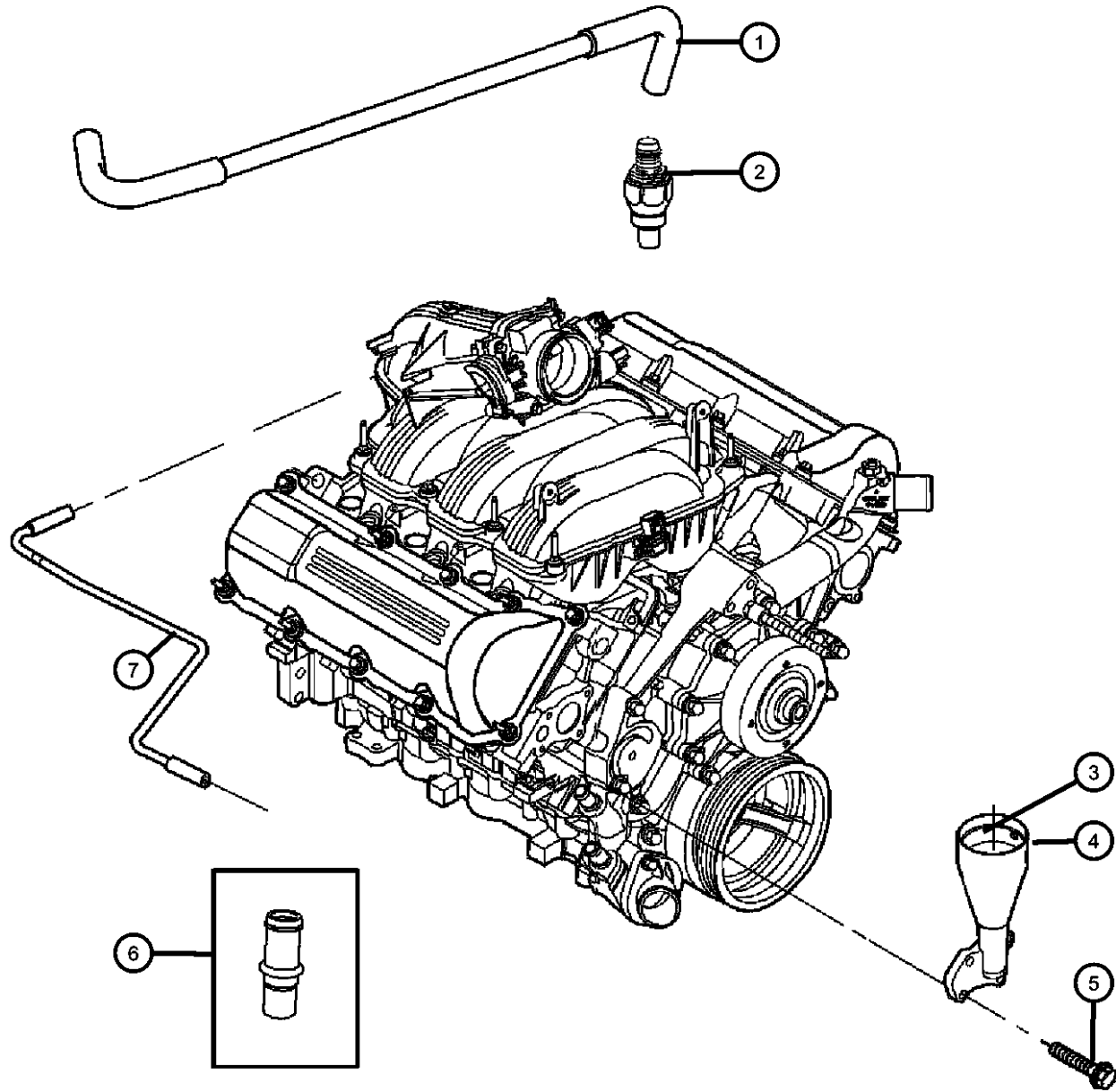
[EZB] = 5.7L Hemi Multi Displacement Engine

[EZ0] = All 5.7L 8-Cylinder Gas Engines

[NAA] = Federal Emissions

[NAE] = California Emissions

[NAS] = 50 State Emissions



1	53013884AA	1				EV0			HOSE, Make Up Air
2	53032925AC	1				EV0			VALVE, Crankcase Vent
3	53032126AA	1				EK0			BAFFLE, Oil Fill, None
4	53020891AE	1				EV0			HOUSING, Oil Fill
5	06505504AA	3				EK0, EV0			SCREW, Oil Fill Housing to Cylinder Block, Mounting
6	06036575AA	1				EV0			FITTING, Crankcase Vent Tube
7	53032617AE	1				EV0			TUBE, Crankcase Vent To Intake Manifold

NEW JEEP (XK)

SERIES LINE

H = HIGHLINE T = JEEP - 2WD

P = PREMIUM J = JEEP - 4WD

BODY

74 = SPORT UTILITY 4-DR

ENGINE

EKG = 3.7L V6 Engine

EVA = 4.7L V8 MPI Engine

EZB = 5.7L Hemi Multi
Displacement Engine

TRANSMISSION

DGQ = 5-Spd Automatic 5-45RFE
Transmission

DGJ = 5-Speed Automatic MB
Transmission

AR = use ase required - = Non illustrated part

2006 XK

Group - 5.7L

Engine 5.7L Eight Cylinder [EZB]

Group - 5.7L Engine 5.7L Eight Cylinder [EZB]

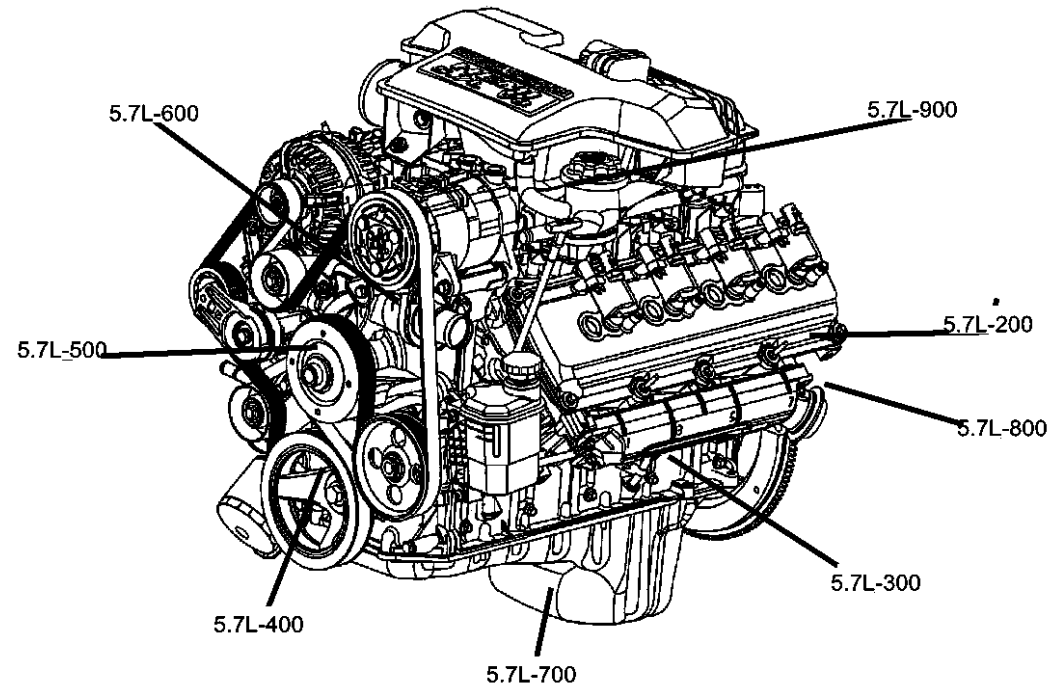


Illustration Title

Group-Fig. No.

Cylinder Head

Engine Covers And Components 5.7L [EZB] Fig. 5.7L - 205
 Cylinder Head 5.7L [EZB] Fig. 5.7L - 210

Cylinder Block

Cylinder Block 5.7L [EZB] Fig. 5.7L - 305

Crankshaft, Pistons and Torque Converter

Crankshaft, Pistons and Torque Converter 5.7L [EZB] Fig. 5.7L - 405

Camshafts and Valves

Camshaft and Valves 5.7L [EZB] Fig. 5.7L - 505

Timing Belt and Cover

Timing Chain And Related Parts 5.7L [EZB] Fig. 5.7L - 605

Engine Oiling

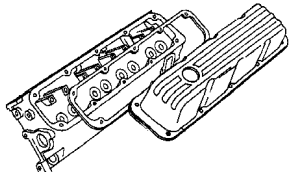
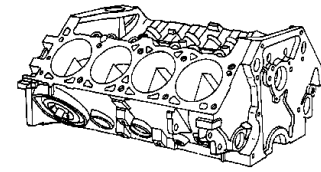
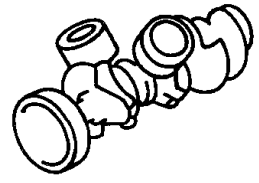
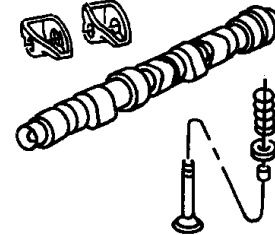
Engine Oiling 5.7L [EZB] Fig. 5.7L - 705

Manifolds

Intake Manifold 5.7L [EZB] Fig. 5.7L - 805
 Exhaust Manifolds 5.7L [EZB] Fig. 5.7L - 810

Crankcase Ventilation

Crankcase Ventilation 5.7L [EZB] Fig. 5.7L - 905

<p>5.7L-200 Cylinder Head</p> 	<p>5.7L-300 Cylinder Block</p> 	<p>5.7L-400 Crankshaft, Pistons and Torque Converter</p> 	<p>5.7L-500 Camshafts and Valves</p> 
<p>5.7L-600 Timing Belt and Cover</p>	<p>5.7L-700 Engine Oiling</p>	<p>5.7L-800 Manifolds</p>	<p>5.7L-900 Crankcase Ventilation</p>

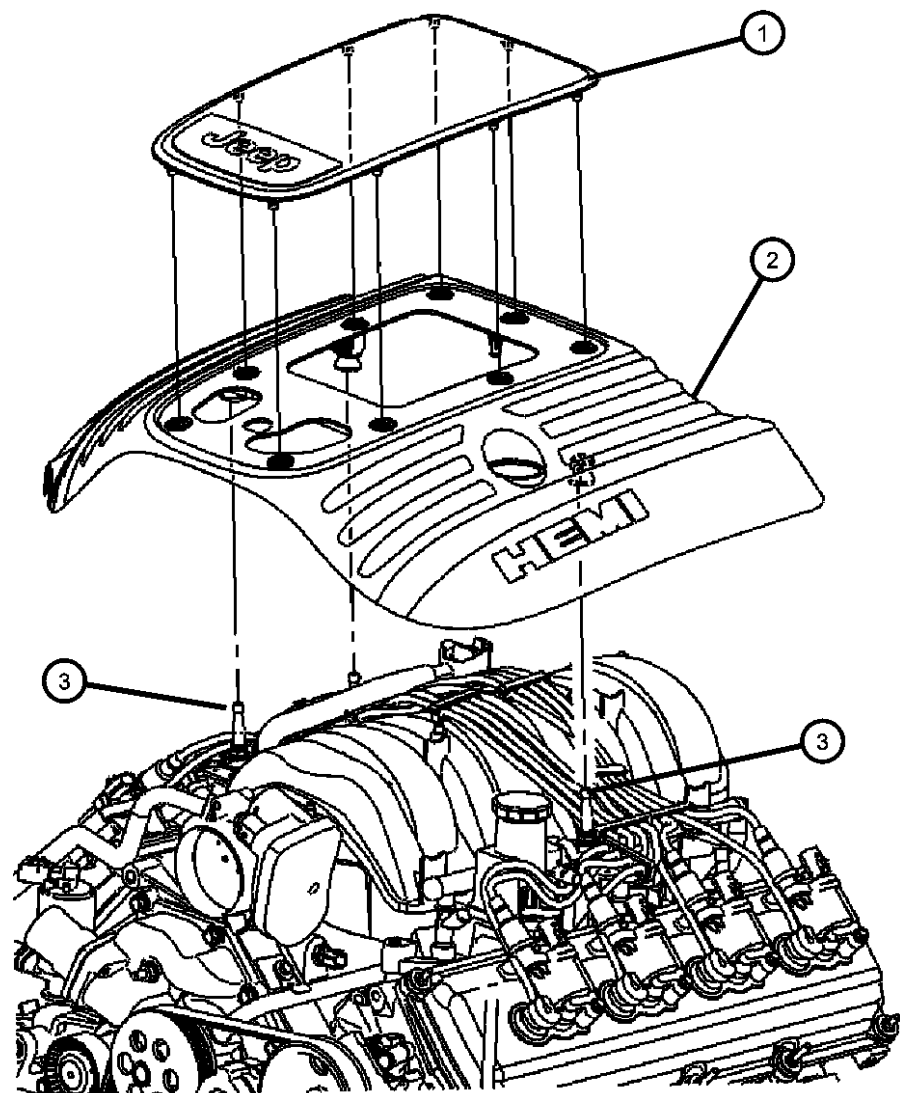
**Engine Covers And Components 5.7L [EZB]
Figure 5.7L-205**

ITEM	PART NUMBER	QTY	LINE	SERIES	BODY	ENGINE	TRANS	TRIM	DESCRIPTION
------	-------------	-----	------	--------	------	--------	-------	------	-------------

NOTE:

Sales Codes:

- [DGJ] = 5-Speed Automatic W5A580 Transmission
- [DGQ] = 5-Speed Automatic 5-45RFE Transmission
- [DG0] = All Automatic Transmissions
- [EKG] = 3.7L "Magnum" V-6 Engine
- [EK0] = All 3.7L 6-Cylinder Gas Engines
- [EVA] = 4.7L "Magnum" V-8 Engine
- [EV0] = All 4.7L 8-Cylinder Gas Engines
- [EZB] = 5.7L Hemi Multi Displacement Engine
- [EZ0] = All 5.7L 8-Cylinder Gas Engines
- [NAA] = Federal Emissions
- [NAE] = California Emissions
- [NAS] = 50 State Emissions



1	53013789AA	1				EZ0			COVER, Engine, Upper With [Jeep] Markings
2	53013718AB	1				EZ0			COVER, Engine, Lower With [Hemi] Markings
3	53013748AB	4				EZB			CONNECTOR, Cover

NEW JEEP (XK)

SERIES	LINE
H = HIGHLINE	T = JEEP - 2WD
P = PREMIUM	J = JEEP - 4WD

BODY
74 = SPORT UTILITY 4-DR

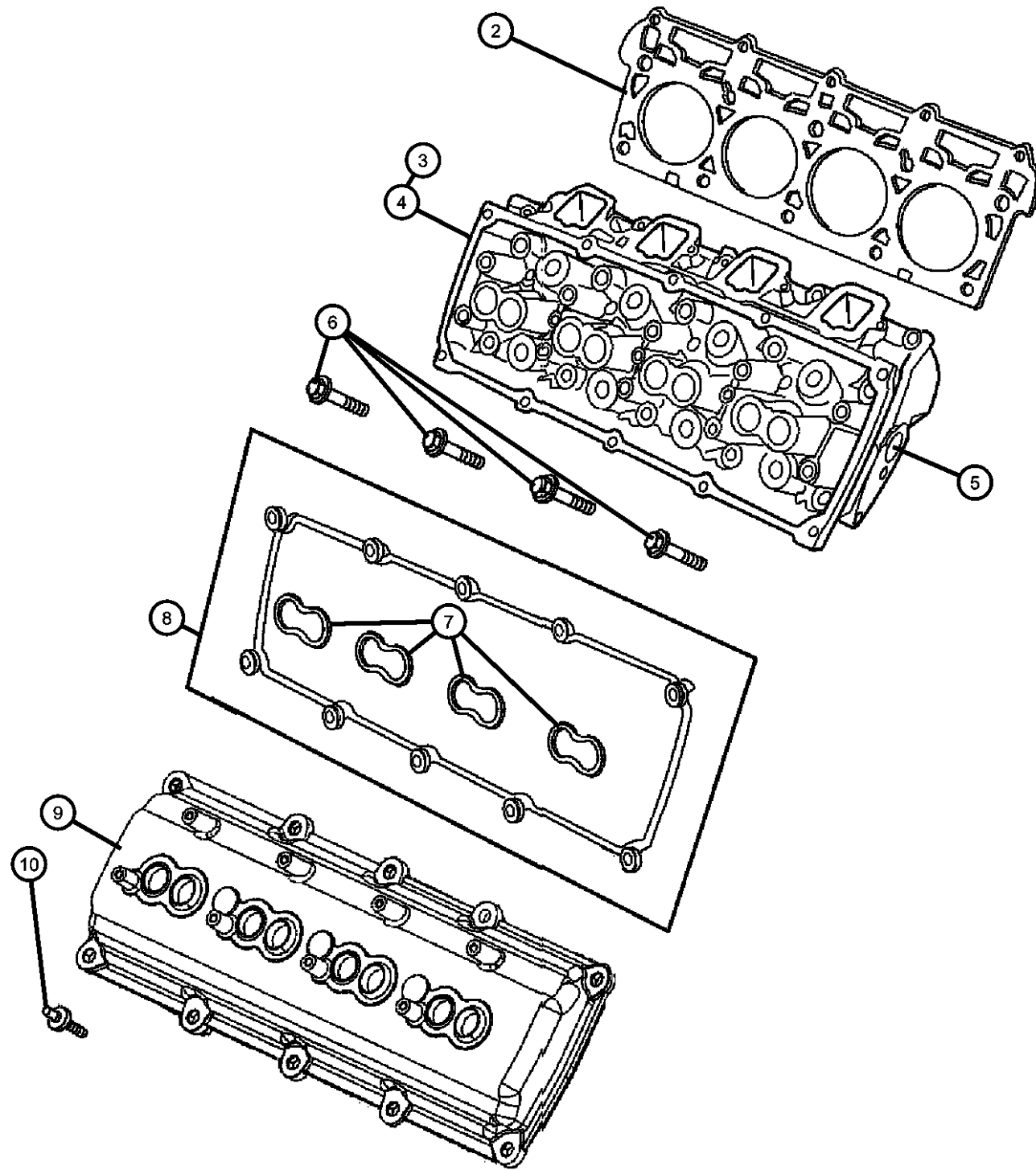
ENGINE
EKG = 3.7L V6 Engine
EVA = 4.7L V8 MPI Engine
EZB = 5.7L Hemi Multi Displacement Engine

TRANSMISSION
DGQ = 5-Spd Automatic 5-45RFE Transmission
DGJ = 5-Speed Automatic MB Transmission

AR = use ase required - = Non illustrated part

2006 XK

**Cylinder Head 5.7L [EZB]
Figure 5.7L-210**



ITEM	PART NUMBER	QTY	LINE	SERIES	BODY	ENGINE	TRANS	TRIM	DESCRIPTION
------	-------------	-----	------	--------	------	--------	-------	------	-------------

NOTE:

Upper Engine Gasket Package Includes: Cylinder Head Gaskets, Rocker Cover Gasket Kits, Intake and Exhaust Manifold Seals, Valve Guide Seal, Valve Cover Gasket Kit Contains: 1 Valve Cover Gasket and 4 Spark Plug Well Gaskets.

Sales Codes:

- [DGJ] = 5-Speed Automatic W5A580 Transmission
- [DGQ] = 5-Speed Automatic 5-45RFE Transmission
- [DG0] = All Automatic Transmissions
- [EKG] = 3.7L "Magnum" V-6 Engine
- [EK0] = All 3.7L 6-Cylinder Gas Engines
- [EVA] = 4.7L "Magnum" V-8 Engine
- [EV0] = All 4.7L 8-Cylinder Gas Engines
- [EZB] = 5.7L Hemi Multi Displacement Engine
- [EZ0] = All 5.7L 8-Cylinder Gas Engines
- [NAA] = Federal Emissions
- [NAE] = California Emissions
- [NAS] = 50 State Emissions

-1	05135357AE	1				EZ0			GASKET PACKAGE, Engine Upper, See Note
2									GASKET, Cylinder Head Right
	53021620AE	1				EZ0			Left
	53021621AE	1				EZ0			
3	05143396AB	1				EZ0			HEAD, Cylinder, Right
4	05143397AB	1				EZ0			HEAD, Cylinder, Left
5	04556020	2				EZ0			PLUG, Core, 1.25 Diameter
6									SCREW AND WASHER, Hex Head
	06506334AA	10				EZ0			Secondary-Cylinder Head-[M8x1.25x45], Mounting
	06506694AA	20				EZ0			Primary-Cylinder Head-[M12x1.50x175], Mounting
7	53021569AD	8				EZ0			GASKET, Spark Plug WellMounting
8	05114179AB	2				EZ0			GASKET KIT, Rocker Cover, See Note
9	53021333BA	2				EZ0			COVER, Cylinder Head
10	06507366AA	20				EZ0			STUD, Double Ended, M6x1.00x50.50, Cylinder Head Cover to Cylinder Head, Mounting

NEW JEEP (XK)

SERIES	LINE	BODY	ENGINE	TRANSMISSION
H = HIGHLINE	T = JEEP - 2WD	74 = SPORT UTILITY 4-DR	EKG = 3.7L V6 Engine	DGQ = 5-Spd Automatic 5-45RFE Transmission
P = PREMIUM	J = JEEP - 4WD		EVA = 4.7L V8 MPI Engine	DGJ = 5-Speed Automatic MB Transmission
			EZB = 5.7L Hemi Multi Displacement Engine	

AR = use ase required - = Non illustrated part

2006 XK

**Cylinder Block 5.7L [EZB]
Figure 5.7L-305**

ITEM	PART NUMBER	QTY	LINE	SERIES	BODY	ENGINE	TRANS	TRIM	DESCRIPTION
------	-------------	-----	------	--------	------	--------	-------	------	-------------

NOTE: Lower Gasket Package Contains: Front and Rear Crankshaft Seals; Oil Pan, Front Cover and Water Pump Gaskets; Oil Level Tube O-Ring
Short Block Does Not Include Camshaft or Lifters

Sales Codes:

[DGJ] = 5-Speed Automatic W5A580 Transmission

[DGQ] = 5-Speed Automatic 5-45RFE Transmission

[DG0] = All Automatic Transmissions

[EKG] = 3.7L "Magnum" V-6 Engine

[EK0] = All 3.7L 6-Cylinder Gas Engines

[EVA] = 4.7L "Magnum" V-8 Engine

[EV0] = All 4.7L 8-Cylinder Gas Engines

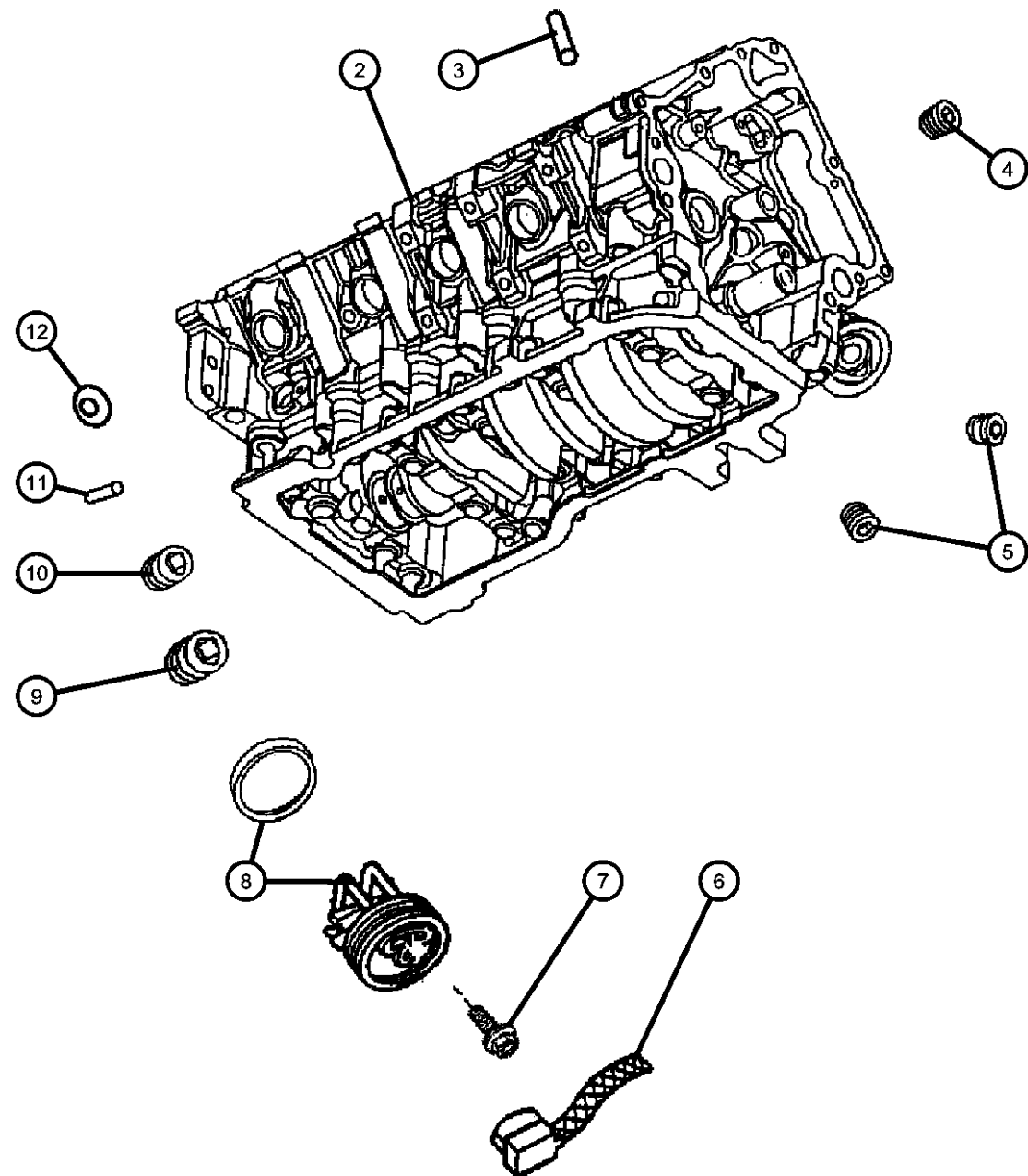
[EZB] = 5.7L Hemi Multi Displacement Engine

[EZ0] = All 5.7L 8-Cylinder Gas Engines

[NAA] = Federal Emissions

[NAE] = California Emissions

[NAS] = 50 State Emissions



-1	05135818AB	1				EZ0			GASKET PACKAGE, Engine Lower, See Notes
2	05139102AC	1				EZ0			BLOCK, SHORT
3	05240849	4				EZ0			DOWEL, Cylinder Head to Block
4	06036417AA	4				EZ0			PLUG, Cylinder Block, Oil Gallery, [.375x18x1.34]
5	06034331	2				EZ0			PLUG, Hex Socket, 3/8-18NPTx.475, Oil Passage
6	56044577AB	1				EZ0			CORD, Engine Block Heater
7	06501373	1				EZ0			SCREW AND WASHER, Hex Head, M6x1x20, Engine Block Heater, Mounting
8	05149022AA	1				EZ0			HEATER, Engine Block
9	06036592AA	2				EZ0			PLUG, Oil Gallery, Front, Block Coolant Drain
10	06036308AA	2				EZ0			PLUG, [.375x18x.475]-
11	01122532	2				EZ0			DOWEL, Block To Clutch HousingMounting
12	06507663AA	1				EZ0			PLUG, Camshaft Rear
-13									BLOCK, Long
	05191957AA	1		J, T		EZ0			
	RL191957AA	1		J, T		EZ0			Remanufactured

NEW JEEP (XK)

SERIES LINE
H = HIGHLINE T = JEEP - 2WD
P = PREMIUM J = JEEP - 4WD

BODY
74 = SPORT UTILITY 4-DR

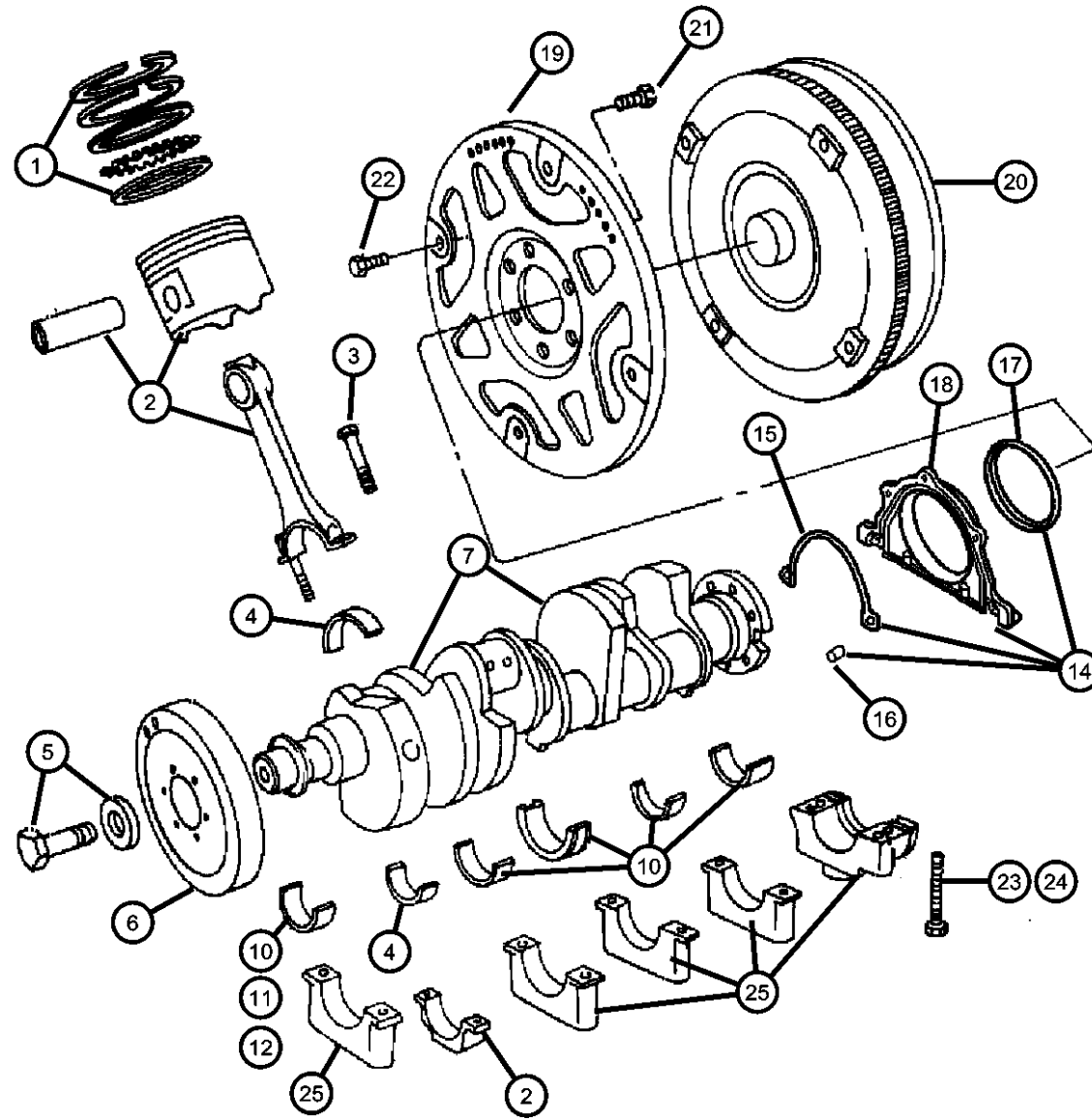
ENGINE
EKG = 3.7L V6 Engine
EVA = 4.7L V8 MPI Engine
EZB = 5.7L Hemi Multi Displacement Engine

TRANSMISSION
DGQ = 5-Spd Automatic 5-45RFE Transmission
DGJ = 5-Speed Automatic MB Transmission

AR = use ase required - = Non illustrated part

2006 XK

**Crankshaft, Pistons and Torque Converter 5.7L [EZB]
Figure 5.7L-405**



NOTE:

Sales Codes:

- [DGJ] = 5-Speed Automatic W5A580 Transmission
- [DGQ] = 5-Speed Automatic 5-45RFE Transmission
- [DG0] = All Automatic Transmissions
- [EKG] = 3.7L "Magnum" V-6 Engine
- [EK0] = All 3.7L 6-Cylinder Gas Engines
- [EVA] = 4.7L "Magnum" V-8 Engine
- [EV0] = All 4.7L 8-Cylinder Gas Engines
- [EZB] = 5.7L Hemi Multi Displacement Engine
- [EZ0] = All 5.7L 8-Cylinder Gas Engines
- [NAA] = Federal Emissions
- [NAE] = California Emissions
- [NAS] = 50 State Emissions

ITEM	PART NUMBER	QTY	LINE	SERIES	BODY	ENGINE	TRANS	TRIM	DESCRIPTION
1	05086002AC	8				EZ0			RING PACKAGE, Piston, Standard Size
2									PISTON PIN AND ROD
	05086010AB	1				EZ0			Right Side Cylinders 2-4-6-8
	05086011AB	1				EZ0			Left Side Cylinders 1-3-5-7
3	06506335AA	8				EZ0			SCREW, Hex Flange Head
4	68029429AA	AR	J, T			EZ0			BEARING PACKAGE, Connecting Rod, Standard
5									SCREW AND WASHER
	06508400AA	1				EZ0			With 3/4" Threads
	06506340AA	1				EZ0			With M14 Threads
6	04792815AB	1				EZ0			DAMPER, Crankshaft
7	53021302AD	1				EZ0			CRANKSHAFT
-8	53021302AD	1							TONE RING, Sensor, Serviced With Crankshaft Assembly, (NOT SERVICED)
-9	53021302AD	1							SCREW, M6x1x25, Serviced With Crankshaft Assembly, (NOT SERVICED)
10	05083993AA	5				EZ0			BEARING PACKAGE, Crankshaft, A Grade
11	05083994AA	5				EZ0			BEARING PACKAGE, Crankshaft, B Grade
12	05083995AA	5				EZ0			BEARING PACKAGE, Crankshaft, C Grade
-13	05083979AA	1				EZ0			WASHER PACKAGE, Washer, Contains Front And Rear Thrust Washers
14	05140028AA	1				EZ0			RETAINER PACKAGE, Crankshaft Rear Oil Seal

NEW JEEP (XK)

SERIES LINE

H = HIGHLINE T = JEEP - 2WD
P = PREMIUM J = JEEP - 4WD

BODY

74 = SPORT UTILITY 4-DR

ENGINE

EKG = 3.7L V6 Engine
EVA = 4.7L V8 MPI Engine
EZB = 5.7L Hemi Multi Displacement Engine

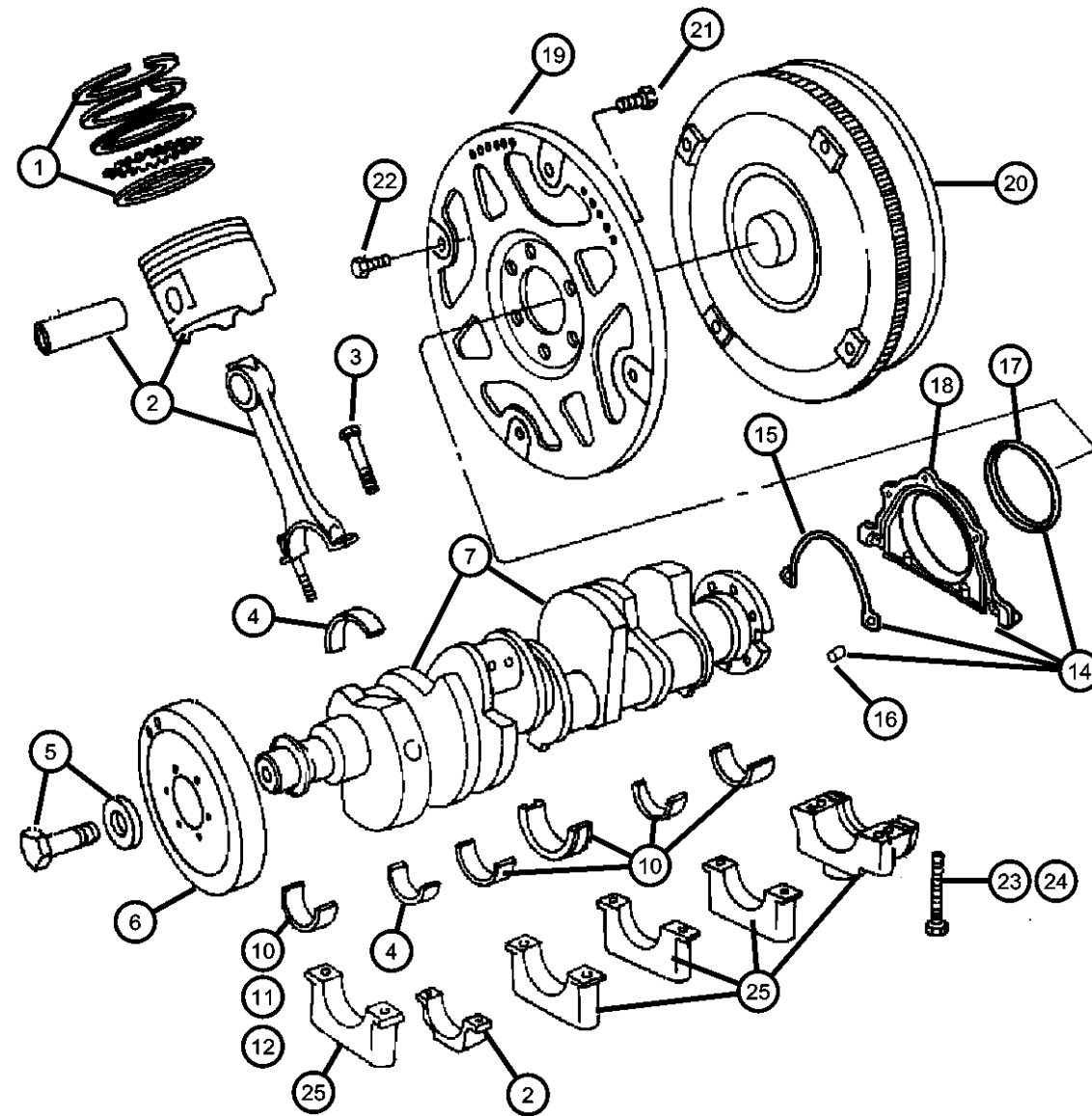
TRANSMISSION

DGQ = 5-Spd Automatic 5-45RFE Transmission
DGJ = 5-Speed Automatic MB Transmission

AR = use ase required - = Non illustrated part

2006 XK

**Crankshaft, Pistons and Torque Converter 5.7L [EZB]
Figure 5.7L-405**



ITEM	PART NUMBER	QTY	LINE	SERIES	BODY	ENGINE	TRANS	TRIM	DESCRIPTION
15	05140028AA	1							GASKET, Rear Oil Seal Retainer, Serviced In Retainer Package Only, (NOT SERVICED)
16	05203466	2				EZ0			PIN, Dowel, Also Serviced In Retainer Package
17	53021338AB	1				EZ0			SEAL, Crankshaft Bearing Oil, Also Serviced In Retainer Package
18	06506342AA	5				EZ0			SCREW, Hex Flange Head
19	04736604AA	1				EZ0	DG0		PLATE, Torque Converter Drive
20	04736352AA	1	J			EZ0	DGQ		TORQUE CONVERTER
		1	T			EZ0	DGQ		
21	06503465	8				EZ0	DG0		BOLT, Drive Plate and Flywheel
22	06507719AA	1				EZ0			SCREW
23	06507697AA	10				EZ0			SCREW AND WASHER, Hex, [M8x1.25x45]
24	06506272AA	10				EZ0			SCREW, Hex Flange Head, [M12x1.75x91.2]
25	06506272AA	10							CAP, Serviced With Short Block Assembly, (NOT SERVICED)

NEW JEEP (XK)

SERIES LINE
H = HIGHLINE T = JEEP - 2WD
P = PREMIUM J = JEEP - 4WD

BODY
74 = SPORT UTILITY 4-DR

ENGINE
EKG = 3.7L V6 Engine
EVA = 4.7L V8 MPI Engine
EZB = 5.7L Hemi Multi Displacement Engine

TRANSMISSION
DGQ = 5-Spd Automatic 5-45RFE Transmission
DGJ = 5-Speed Automatic MB Transmission

AR = use ase required - = Non illustrated part

**Camshaft and Valves 5.7L [EZB]
Figure 5.7L-505**

ITEM	PART NUMBER	QTY	LINE	SERIES	BODY	ENGINE	TRANS	TRIM	DESCRIPTION
------	-------------	-----	------	--------	------	--------	-------	------	-------------

NOTE:

Sales Codes:

- [DGJ] = 5-Speed Automatic W5A580 Transmission
- [DGQ] = 5-Speed Automatic 5-45RFE Transmission
- [DG0] = All Automatic Transmissions
- [EKG] = 3.7L "Magnum" V-6 Engine
- [EK0] = All 3.7L 6-Cylinder Gas Engines
- [EVA] = 4.7L "Magnum" V-8 Engine
- [EV0] = All 4.7L 8-Cylinder Gas Engines
- [EZB] = 5.7L Hemi Multi Displacement Engine
- [EZ0] = All 5.7L 8-Cylinder Gas Engines
- [NAA] = Federal Emissions
- [NAE] = California Emissions
- [NAS] = 50 State Emissions

-1	53032152AC	4				EZB			SOLENOID, Multiple Displacement
2	53021731AD	1				EZB			CAMSHAFT, Engine
-3	06507663AA	1				EZ0			PLUG
4	53021550AA	8				EZ0			VALVE, Intake, Standard
5	53021551AB	8				EZ0			VALVE, Exhaust, Standard
6	53021552AA	2				EZ0			ROCKER ARM, Intake
7	53021553AA	2				EZ0			ROCKER ARM, Exhaust
8	53021676AB	16				EZ0			RETAINER, Valve Spring
9	53021580AE	16				EZ0			SPRING, Valve
10	53021578AA	16				EZ0			SEAL, Valve Guide
11	53010515AA	32				EZ0			LOCK, Valve Spring Retainer
-12	06507072AA	10				EZ0			SCREW, Hex Flange Head, Rocker Shaft Mounting
13	53021556AA	8				EZ0			PUSH ROD, ValveIntake
14	53021557AA	8				EZ0			PUSH ROD, ValveExhaust
15									YOKE, Tappet Aligning
	53021727AC	2				EZB			Front
	53021729AC	2				EZB			Rear
16									TAPPET, Hyd. Roller
	53021726AD	2				EZB			Front
	53021728AD	2				EZB			Rear
17	06507067AA	2				EZB			SCREW, Hex Flange Head

NEW JEEP (XK)

SERIES LINE
H = HIGHLINE T = JEEP - 2WD
P = PREMIUM J = JEEP - 4WD

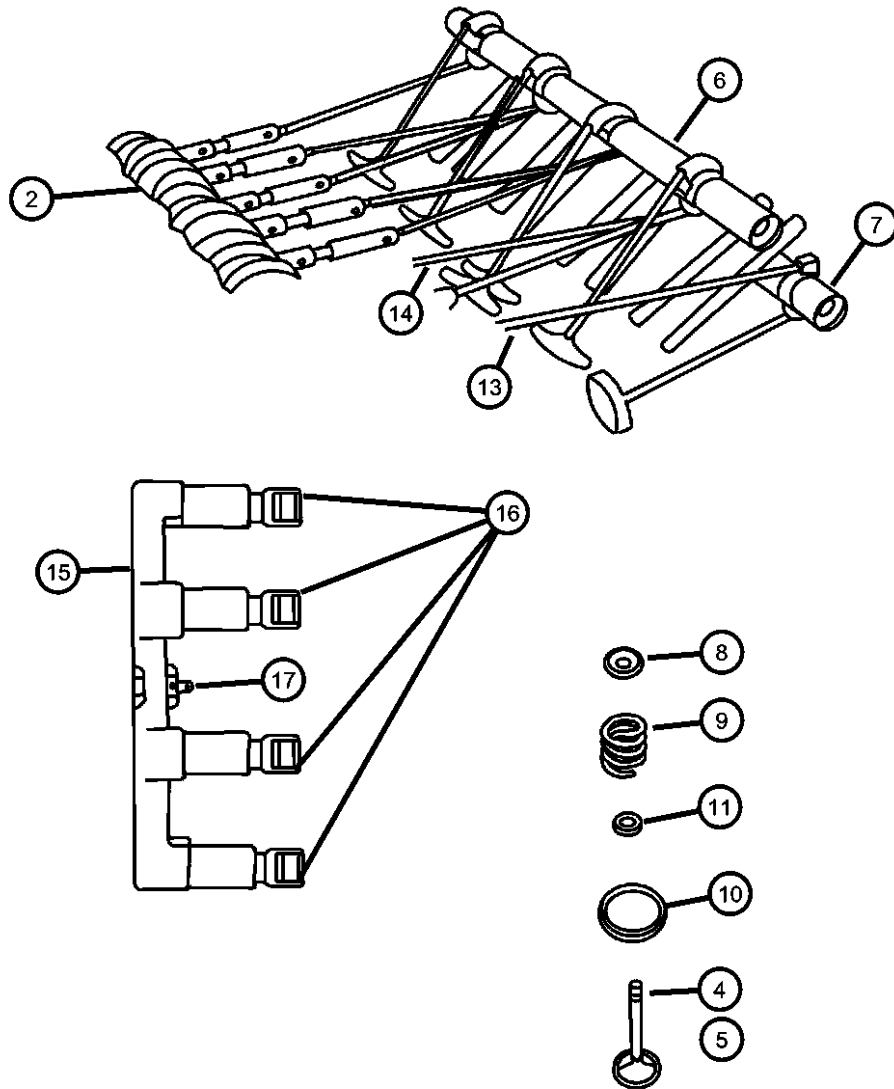
BODY
74 = SPORT UTILITY 4-DR

ENGINE
EKG = 3.7L V6 Engine
EVA = 4.7L V8 MPI Engine
EZB = 5.7L Hemi Multi Displacement Engine

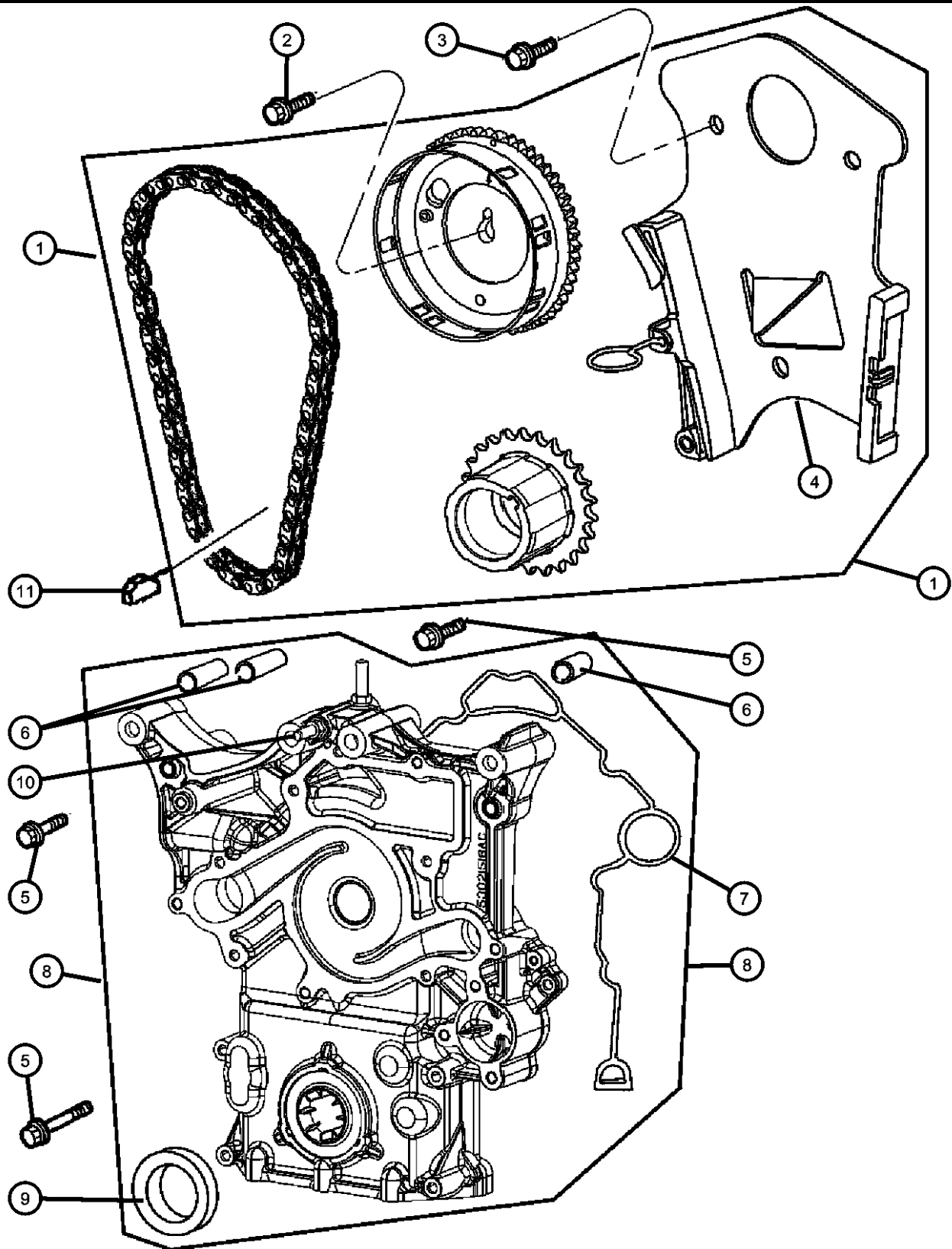
TRANSMISSION
DGQ = 5-Spd Automatic 5-45RFE Transmission
DGJ = 5-Speed Automatic MB Transmission

AR = use ase required - = Non illustrated part

2006 XK



**Timing Chain And Related Parts 5.7L [EZB]
Figure 5.7L-605**



ITEM	PART NUMBER	QTY	LINE	SERIES	BODY	ENGINE	TRANS	TRIM	DESCRIPTION
NOTE: Sales Codes: [DGJ] = 5-Speed Automatic W5A580 Transmission [DGQ] = 5-Speed Automatic 5-45RFE Transmission [DG0] = All Automatic Transmissions [EKG] = 3.7L "Magnum" V-6 Engine [EK0] = All 3.7L 6-Cylinder Gas Engines [EVA] = 4.7L "Magnum" V-8 Engine [EV0] = All 4.7L 8-Cylinder Gas Engines [EZB] = 5.7L Hemi Multi Displacement Engine [EZ0] = All 5.7L 8-Cylinder Gas Engines [NAA] = Federal Emissions [NAE] = California Emissions [NAS] = 50 State Emissions									
1	53021581AC	1				EZ0			TIMING DRIVE KIT, Engine
2	06507480AA	1				EZ0			SCREW AND WASHER, Hex
3	06507479AA	3				EZ0			SCREW AND WASHER, Hex
4	53021582AD	1				EZ0			TENSIONER, Belt
5									SCREW AND WASHER, Hex
	06506269AA	5				EZ0			
	06506270AA	3				EZ0			
6	06506697AA	2				EZ0			BUSHING, Timing Cover
7	05139933AB	1				EZ0			GASKET PACKAGE, Front Cover
8	04792795AD	1				EZ0			COVER, Timing Case
9	53021585AD	1				EZ0			SEAL, Crankshaft Oil, Front
10	06506343AA	1				EZ0			STUD
11	06506397AA	1				EZ0			KEY, Woodruff
-12	06506332AA	2				EZ0			PIN, Dowel, Front Cover To Cylinder Block

NEW JEEP (XK)

SERIES LINE
H = HIGHLINE T = JEEP - 2WD
P = PREMIUM J = JEEP - 4WD

BODY
74 = SPORT UTILITY 4-DR

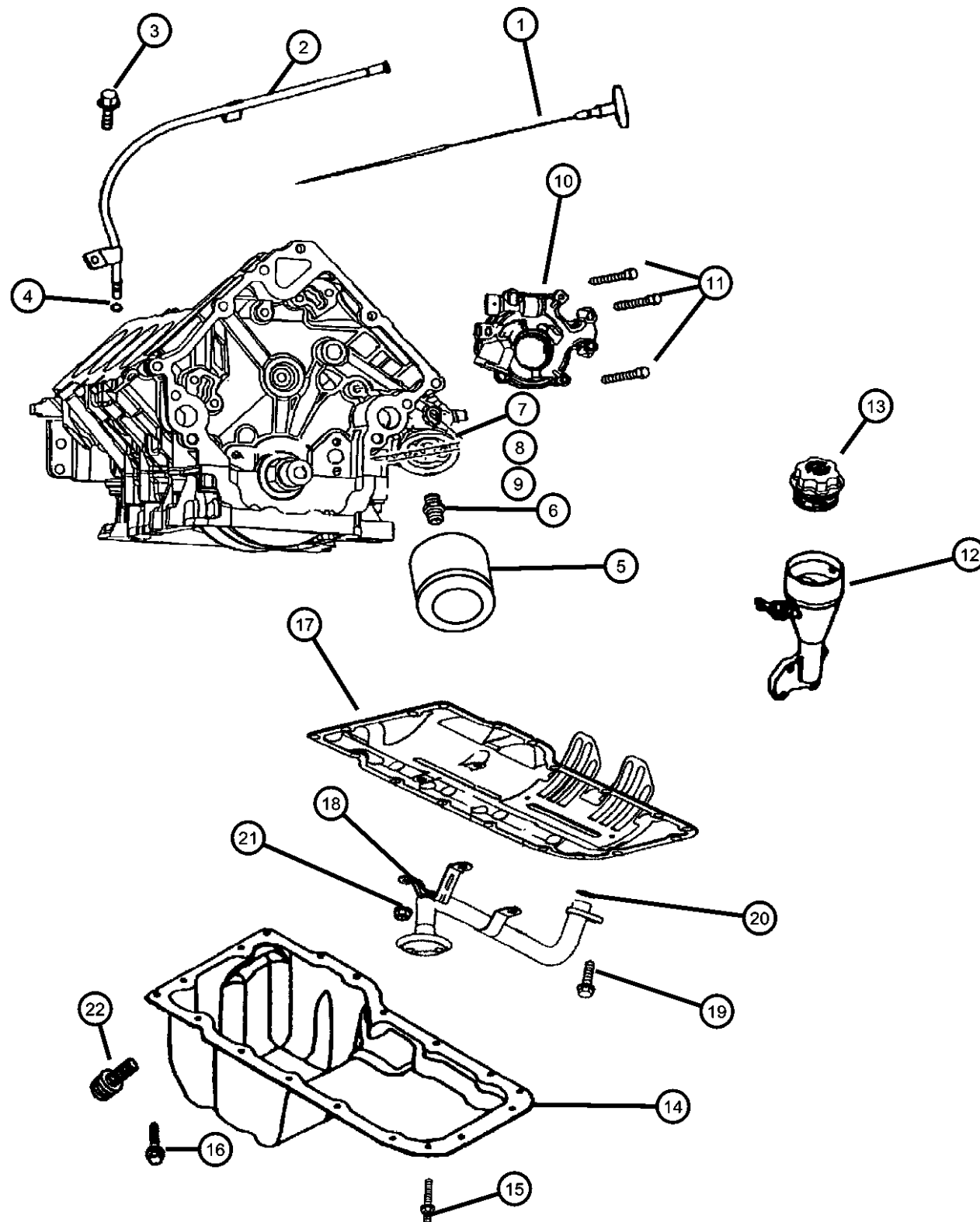
ENGINE
EKG = 3.7L V6 Engine
EVA = 4.7L V8 MPI Engine
EZB = 5.7L Hemi Multi Displacement Engine

TRANSMISSION
DGQ = 5-Spd Automatic 5-45RFE Transmission
DGJ = 5-Speed Automatic MB Transmission

AR = use ase required - = Non illustrated part

2006 XK

**Engine Oiling 5.7L [EZB]
Figure 5.7L-705**



ITEM	PART NUMBER	QTY	LINE	SERIES	BODY	ENGINE	TRANS	TRIM	DESCRIPTION
------	-------------	-----	------	--------	------	--------	-------	------	-------------

NOTE:
Sales Codes:
[DGJ] = 5-Speed Automatic W5A580 Transmission
[DGQ] = 5-Speed Automatic 5-45RFE Transmission
[DG0] = All Automatic Transmissions
[EKG] = 3.7L "Magnum" V-6 Engine
[EK0] = All 3.7L 6-Cylinder Gas Engines
[EVA] = 4.7L "Magnum" V-8 Engine
[EV0] = All 4.7L 8-Cylinder Gas Engines
[EZB] = 5.7L Hemi Multi Displacement Engine
[EZ0] = All 5.7L 8-Cylinder Gas Engines
[NAA] = Federal Emissions
[NAE] = California Emissions
[NAS] = 50 State Emissions

1	53021858AD	1				EZ0			INDICATOR, Engine Oil Level
2	53021859AC	1				EZ0			TUBE, Engine Oil Indicator
3	06506407AA	1				EZ0			BOLT, Oil Level Indicator Tube To Front Cover And Engine Block
4	53021144AA	1				EZ0			O RING, Engine Oil Indicator
5	05281090 0FE00292 05281090BA 77060018	1				EZ0			FILTER, Engine Oil Canadian Aftermarket Part BULK PACK (12) Performance Mobil 1, 15W - 50 Tri-Synthetic Engine Oil-Recommended Fill for 6.1L & 8.3L Performance Mobil 1, 5W - 30 Tri-Synthetic Engine Oil, Quart
6	04104511AB	1				EZ0			CONNECTOR, Oil Filter Adapter
7	53013680AB	1				EZ0			ADAPTER, Oil Filter
8									SEAL
	53021660AC	1				EZ0			Inner Adapter
	53021661AA	1				EZ0			Outer Adapter
9	06102041AA	3				EZ0			SCREW
10	53021622AE	1				EZ0			PUMP, Engine Oil
11	06101383	4				EZ0			SCREW AND WASHER, Hex Head, M8x1.25x55
12	06101383	4							HOUSING, Oil Fill, Serviced With Intake Manifold Assembly, (NOT SERVICED)
13	53013775AA	1				EZB			CAP, Oil Filler, Includes O-Ring
14	68029299AA	1			J, T	EZB			O RING, Oil Filler Cap
15	53021860AC	1				EZ0			PAN, Engine Oil

NEW JEEP (XK)

SERIES LINE
H = HIGHLINE T = JEEP - 2WD
P = PREMIUM J = JEEP - 4WD

BODY
74 = SPORT UTILITY 4-DR

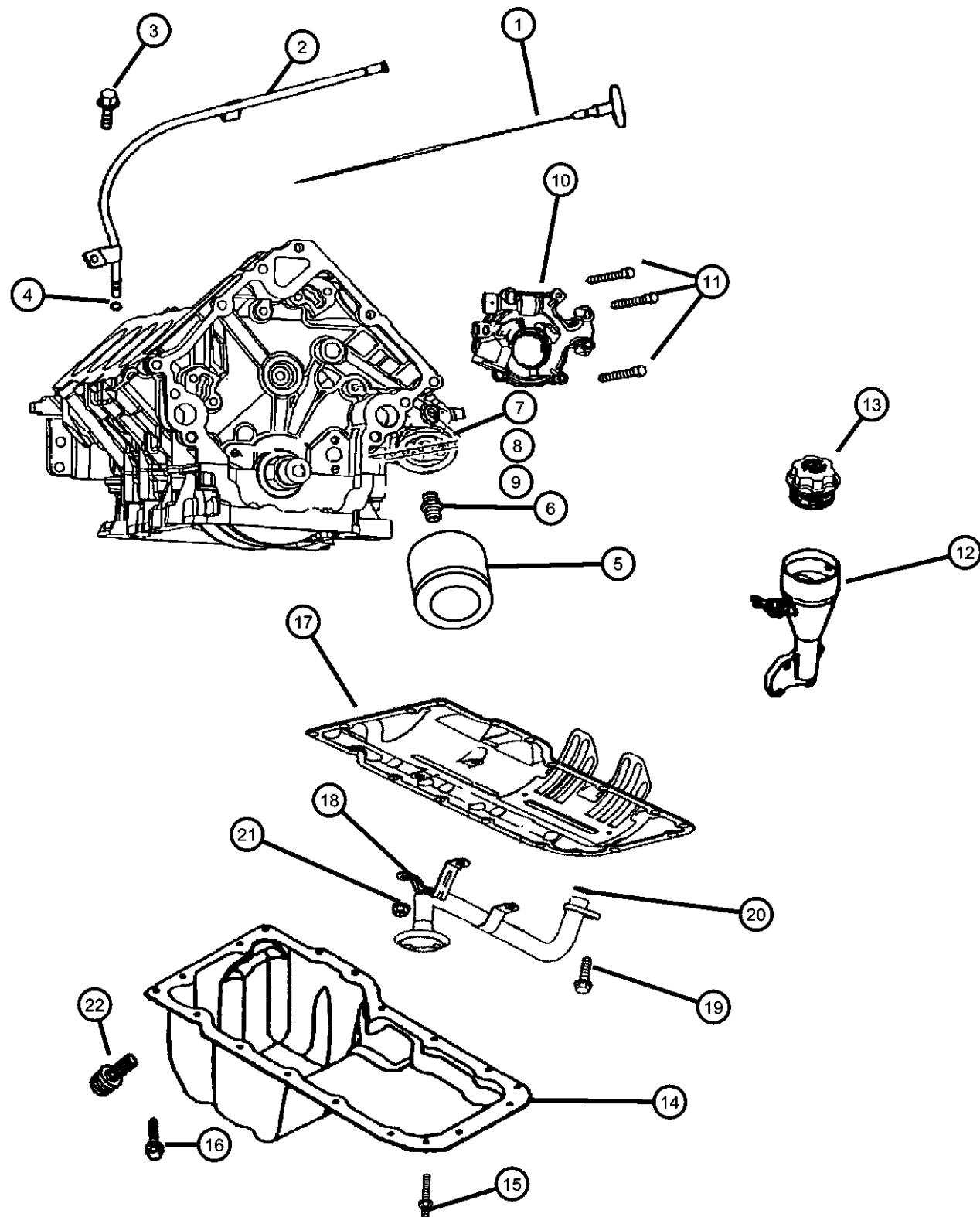
ENGINE
EKG = 3.7L V6 Engine
EVA = 4.7L V8 MPI Engine
EZB = 5.7L Hemi Multi Displacement Engine

TRANSMISSION
DGQ = 5-Spd Automatic 5-45RFE Transmission
DGJ = 5-Speed Automatic MB Transmission

AR = use ase required - = Non illustrated part

2006 XK

**Engine Oiling 5.7L [EZB]
Figure 5.7L-705**



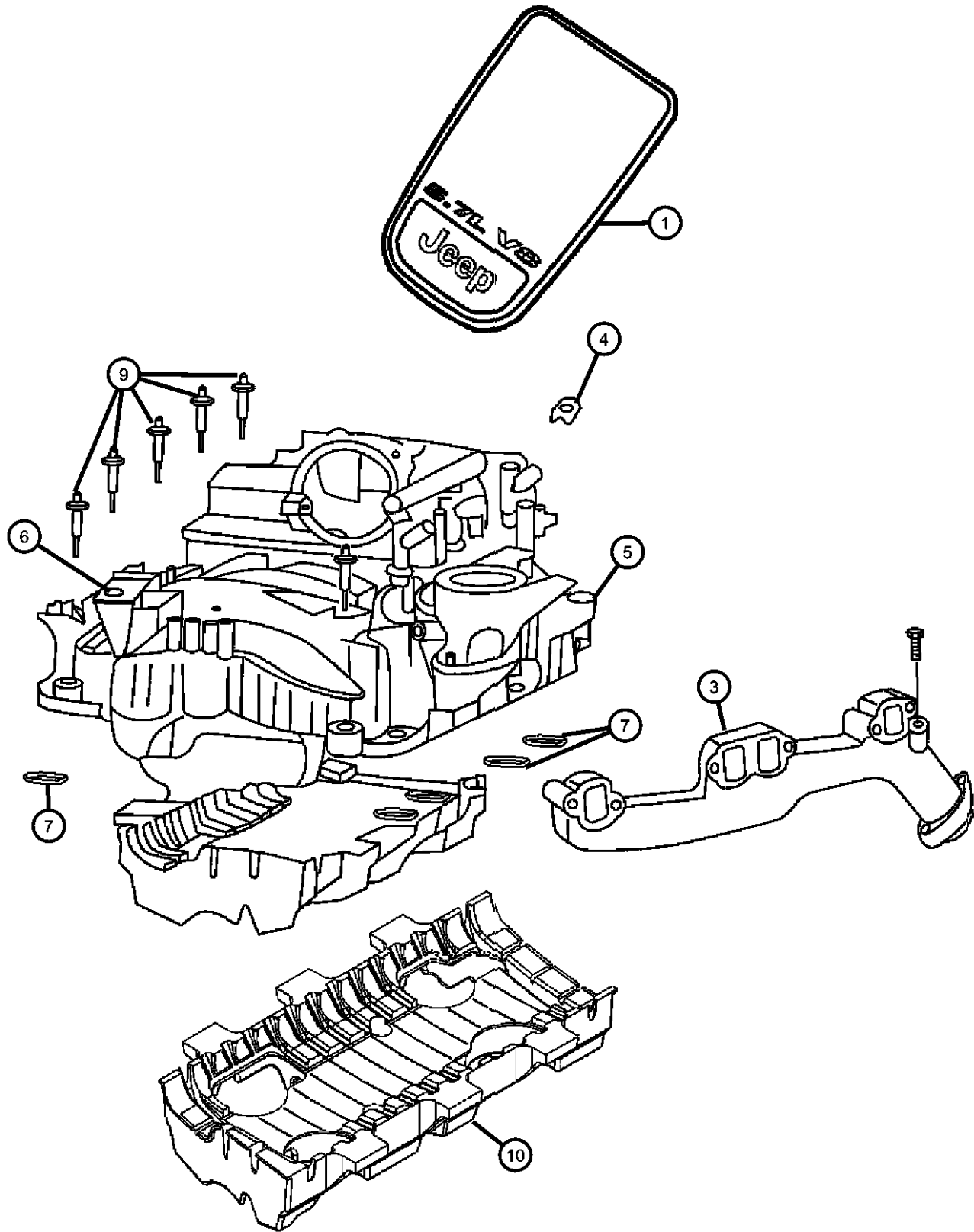
ITEM	PART NUMBER	QTY	LINE	SERIES	BODY	ENGINE	TRANS	TRIM	DESCRIPTION
16	06102210AA	4				EZO			SCREW
17	06508448AA	18				EZO			BOLT
18	04792874AA	1				EZO			GASKET, Oil Pan
19	53021522AD	1				EZO			TUBE, Oil Pickup
20	06102046AA	1				EZO			SCREW AND WASHER
21	53020861	1				EZO			SEAL, Oil Pick Up Tube
22	06502756	1				EZO			NUT, Hex Lock, M8x1.25
23	06507741AA	1				EZO			PLUG, Oil Drain

NEW JEEP (XK)

SERIES	LINE	BODY	ENGINE	TRANSMISSION
H = HIGHLINE	T = JEEP - 2WD	74 = SPORT UTILITY 4-DR	EKG = 3.7L V6 Engine	DGQ = 5-Spd Automatic 5-45RFE
P = PREMIUM	J = JEEP - 4WD		EVA = 4.7L V8 MPI Engine	Transmission
			EZB = 5.7L Hemi Multi Displacement Engine	DGJ = 5-Speed Automatic MB Transmission

AR = use ase required - = Non illustrated part

**Intake Manifold 5.7L [EZB]
Figure 5.7L-805**



ITEM	PART NUMBER	QTY	LINE	SERIES	BODY	ENGINE	TRANS	TRIM	DESCRIPTION
1	53013789AA	1				EZ0			COVER, Engine Lower With Hemi Logo
	53013718AB	1				EZ0			Upper With Jeep Logo
-2	53013748AB	4				EZB			CONNECTOR, Cover
3									MANIFOLD, Exhaust, Reference Refer To 820 Exhaust Manifolds
	53013605AB	1				EZ0			Left
	53013606AB	1				EZ0			Right
4	06504968AA	4				EZB			NUT, J
5	04591846AH	1				EZB			MANIFOLD, Intake
6	04591846AH	1							MANIFOLD, Intake, Serviced in Package, (NOT SERVICED)
7	53032382AB	8				EZB			SEAL, Intake Manifold
-8	53032383AB	1				EZB			SEAL, Throttle Body to Intake
9	06506725AA	10				EZB			SCREW, Hex Flange Head
10									PAD, Engine
	53013735AA	1				EZB			Round Foam
	53013747AC	1				EZB			

NEW JEEP (XK)

SERIES	LINE	BODY	ENGINE	TRANSMISSION
H = HIGHLINE	T = JEEP - 2WD	74 = SPORT UTILITY 4-DR	EKG = 3.7L V6 Engine	DGQ = 5-Spd Automatic 5-45RFE Transmission
P = PREMIUM	J = JEEP - 4WD		EVA = 4.7L V8 MPI Engine	DGJ = 5-Speed Automatic MB Transmission
			EZB = 5.7L Hemi Multi Displacement Engine	

AR = use ase required - = Non illustrated part

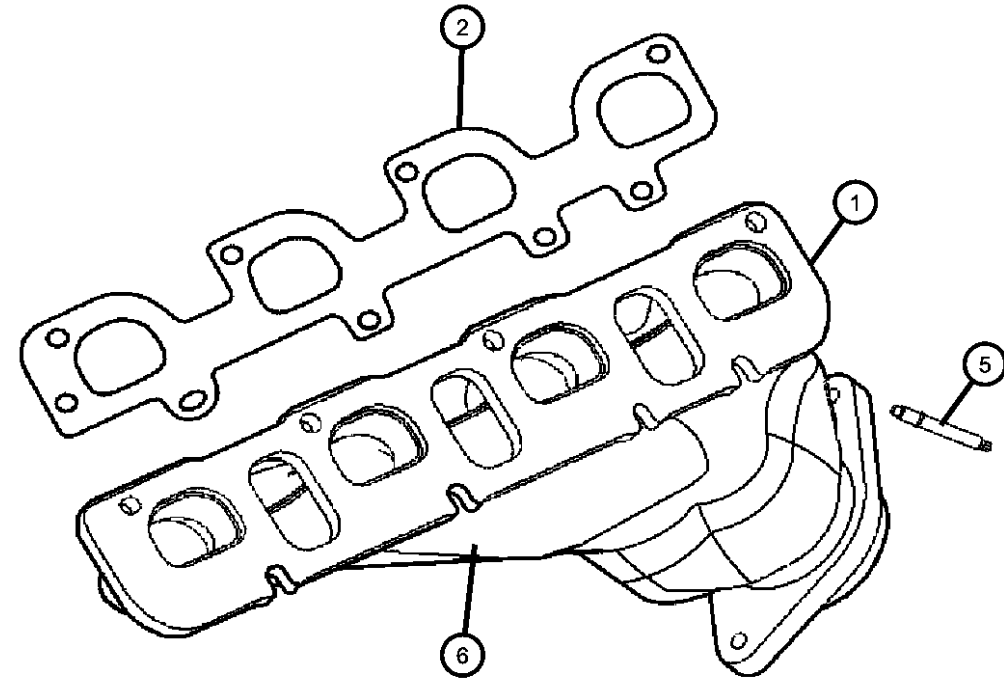
**Exhaust Manifolds 5.7L [EZB]
Figure 5.7L-810**

ITEM	PART NUMBER	QTY	LINE	SERIES	BODY	ENGINE	TRANS	TRIM	DESCRIPTION
------	-------------	-----	------	--------	------	--------	-------	------	-------------

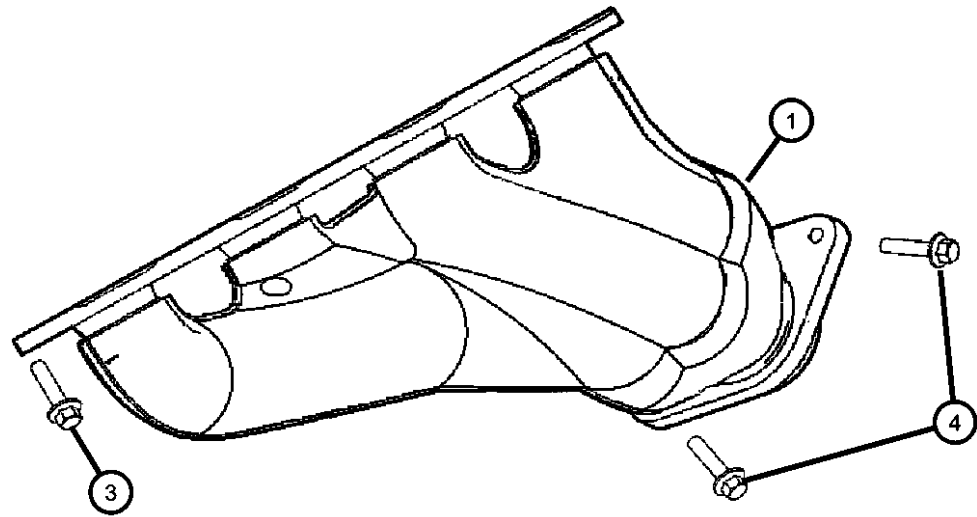
NOTE:

Sales Codes:

- [DGJ] = 5-Speed Automatic W5A580 Transmission
- [DGQ] = 5-Speed Automatic 5-45RFE Transmission
- [DG0] = All Automatic Transmissions
- [EKG] = 3.7L "Magnum" V-6 Engine
- [EK0] = All 3.7L 6-Cylinder Gas Engines
- [EVA] = 4.7L "Magnum" V-8 Engine
- [EV0] = All 4.7L 8-Cylinder Gas Engines
- [EZB] = 5.7L Hemi Multi Displacement Engine
- [EZ0] = All 5.7L 8-Cylinder Gas Engines
- [NAA] = Federal Emissions
- [NAE] = California Emissions
- [NAS] = 50 State Emissions



1									MANIFOLD, Exhaust
	53013605AB	1				EZ0			Left
	53013606AB	1				EZ0			Right
2									GASKET, Exhaust Manifold
	53032097AD	1				EZ0			Left
	53032098AD	1				EZ0			Right
3	06507746AA	8				EZ0			BOLT, Exhaust Manifold
4	06505699AA	4				EK0, EV0, EZ0			SCREW
5	06508218AA	9				EZ0			STUD, Exhaust Manifold
6	53032208AH	2				EZ0			SHIELD, Exhaust Manifold
-7	06505316AA	8				EZ0			NUT, Heat Shield To Exhaust Manifold, Mounting



NEW JEEP (XK)

SERIES LINE
H = HIGHLINE T = JEEP - 2WD
P = PREMIUM J = JEEP - 4WD

BODY
74 = SPORT UTILITY 4-DR

ENGINE
EKG = 3.7L V6 Engine
EVA = 4.7L V8 MPI Engine
EZB = 5.7L Hemi Multi
Displacement Engine

TRANSMISSION
DGQ = 5-Spd Automatic 5-45RFE
Transmission
DGJ = 5-Speed Automatic MB
Transmission

AR = use ase required - = Non illustrated part

2006 XK

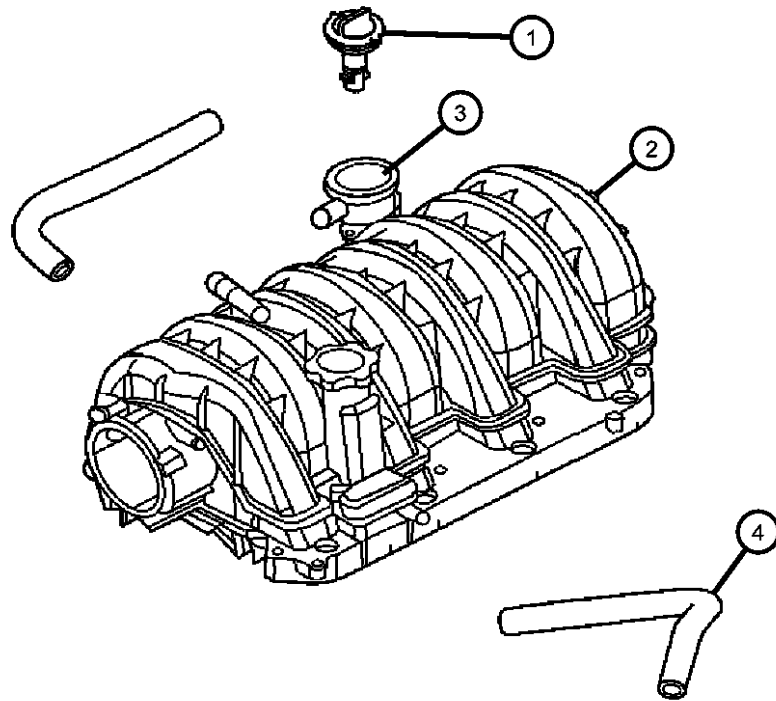
**Crankcase Ventilation 5.7L [EZB]
Figure 5.7L-905**

ITEM	PART NUMBER	QTY	LINE	SERIES	BODY	ENGINE	TRANS	TRIM	DESCRIPTION
------	-------------	-----	------	--------	------	--------	-------	------	-------------

NOTE:

Sales Codes:

- [DGJ] = 5-Speed Automatic W5A580 Transmission
- [DGQ] = 5-Speed Automatic 5-45RFE Transmission
- [DG0] = All Automatic Transmissions
- [EKG] = 3.7L "Magnum" V-6 Engine
- [EK0] = All 3.7L 6-Cylinder Gas Engines
- [EVA] = 4.7L "Magnum" V-8 Engine
- [EV0] = All 4.7L 8-Cylinder Gas Engines
- [EZB] = 5.7L Hemi Multi Displacement Engine
- [EZ0] = All 5.7L 8-Cylinder Gas Engines
- [NAA] = Federal Emissions
- [NAE] = California Emissions
- [NAS] = 50 State Emissions



1	53032531AE	1				EZB			VALVE, Crankcase Vent
2	04591846AH	1				EZB			MANIFOLD, Intake, Reference
3	53032384AB	2				EZB			SEAL, PCV
4	53013759AB	1				EZB			HOSE, Make Up Air, From Air Cleaner To Intake Manifold

NEW JEEP (XK)

SERIES	LINE	BODY	ENGINE	TRANSMISSION
H = HIGHLINE	T = JEEP - 2WD	74 = SPORT UTILITY 4-DR	EKG = 3.7L V6 Engine	DGQ = 5-Spd Automatic 5-45RFE Transmission
P = PREMIUM	J = JEEP - 4WD		EVA = 4.7L V8 MPI Engine	DGJ = 5-Speed Automatic MB Transmission
			EZB = 5.7L Hemi Multi Displacement Engine	

AR = use ase required - = Non illustrated part

2006 XK

Group - 11

Exhaust

Group - 11 Exhaust

Illustration Title

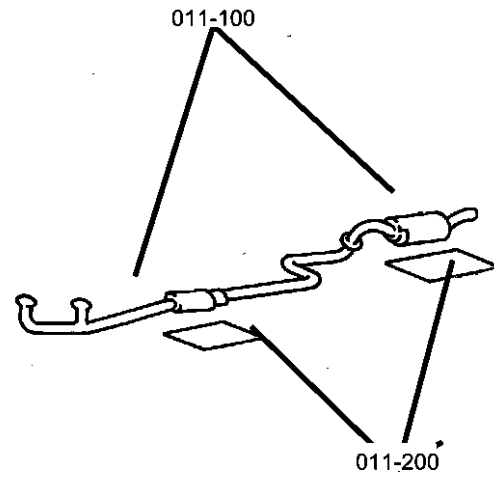
Group-Fig. No.

Exhaust System

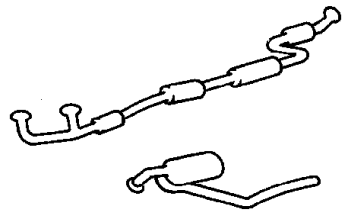
Exhaust System, 3.7L [EK0] 4.7L [EV0] 5.7L [EZ0] Fig. 11 - 110

Heat Shields

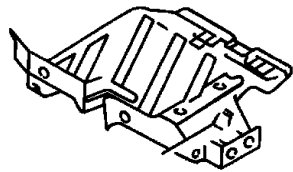
Heat Shields, 3.7 [EK0] 4.7 [EV0] 5.7 [EZ0] Fig. 11 - 210



011-100
Exhaust System

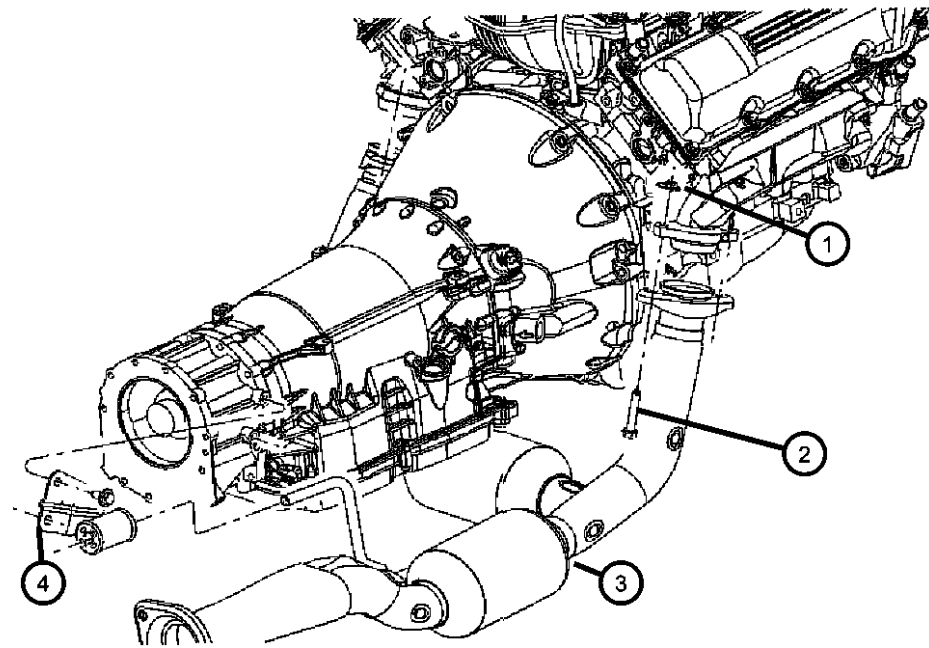


011-200
Heat Shields



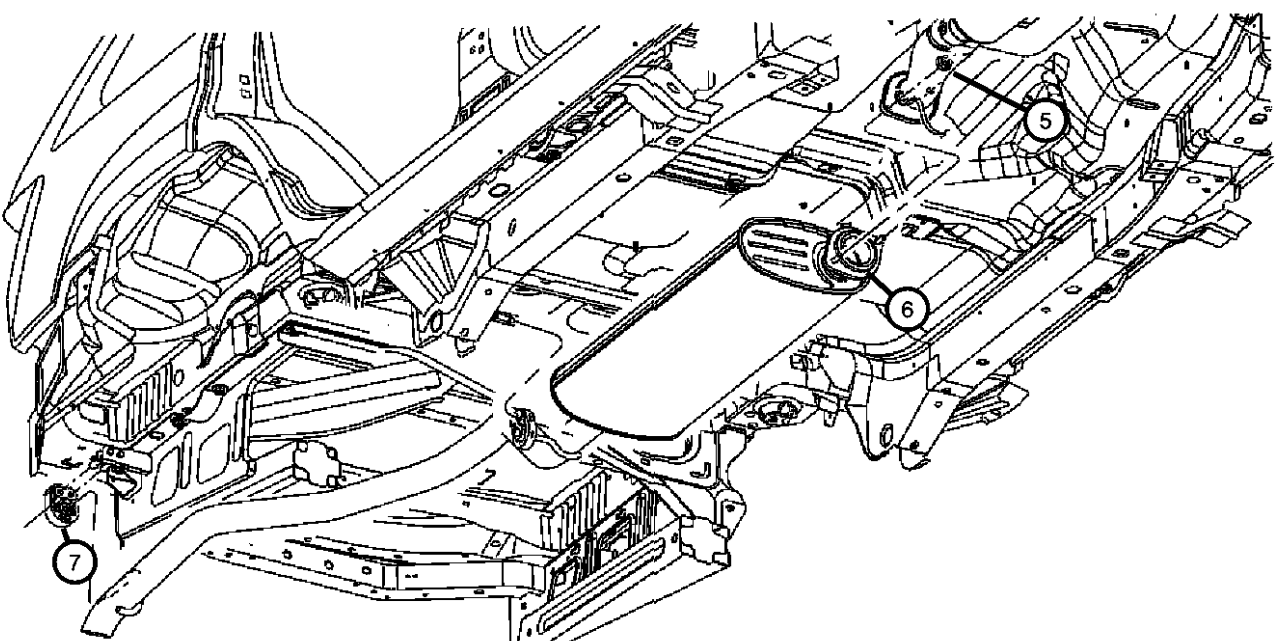
**Exhaust System, 3.7L [EK0] 4.7L [EV0] 5.7L [EZ0]
Figure 11-110**

ITEM	PART NUMBER	QTY	LINE	SERIES	BODY	ENGINE	TRANS	TRIM	DESCRIPTION
------	-------------	-----	------	--------	------	--------	-------	------	-------------



Note Sale Code: [EK0]="MAGNUM" 3.7L V6 ENGINE
[EV0]="MAGNUM" 4.7L V8 ENGINE
[EZ0]=5.7L HEMI MULTI DISPLACEMENT

1									NUT
	06104717AA	1				EZ0			TRANS ISOLATOR BRKT
	06503231	4				EK0, EV0, EZ0			MANIFOLD/EXHAUST
2	06505699AA	4				EK0, EV0, EZ0			SCREW
3									PIPE AND CONVERTER, Exhaust, To Manifold
	52090043AD	1				EZ0			
	52090044AD	1				EV0			
	52124165AA	1				EK0			
4									BRACKET AND ISOLATOR, Exhaust
	52090057AB	1				EV0, EZ0			
	52124079AA	1	J			EK0			
5	06502696	2							NUT, Hex Flange Lock, M14x1.50, FRT PIPE TO MUFFLER ASSY AT TRANS
6									MUFFLER AND TAILPIPE, Exhaust
	52090456AE	1				EK0			
	E0019421								Dynomax Cat Back Single Exhaust
	52090457AE	1				EV0			
	E0019421								Dynomax Cat Back Single Exhaust
	52090458AE	1				EZ0			
	E0019421								Dynomax Cat Back Single Exhaust
7	52124115AC	1							ISOLATOR, Exhaust
-8	52124115AC	1							CLAMP, Exhaust, Serviced With Muffler and Tailpipe, (NOT SERVICED)
-9									ISOLATOR
	52128501AA	1				EV0			
		1				EK0			
-10	52124044AA	3				EZ0			ISOLATOR, Exhaust Support
-11									BOLT, Hex Flange Head, M10x1.50x25
	06104215AA	3	T			EV0	DG0		

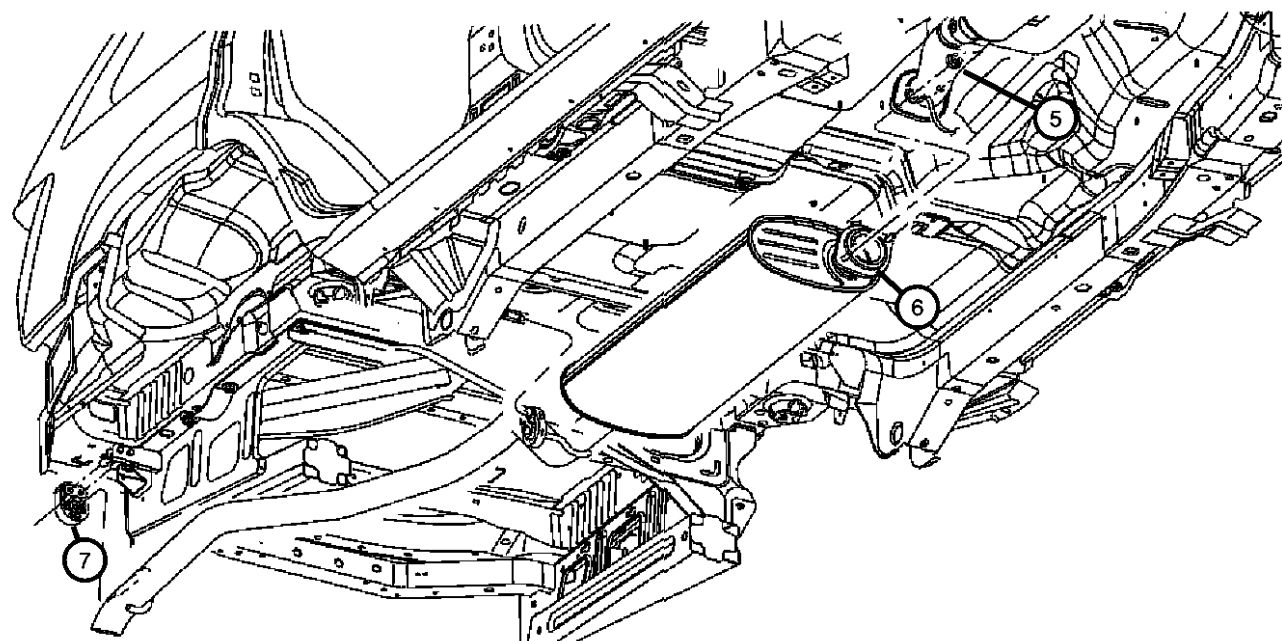
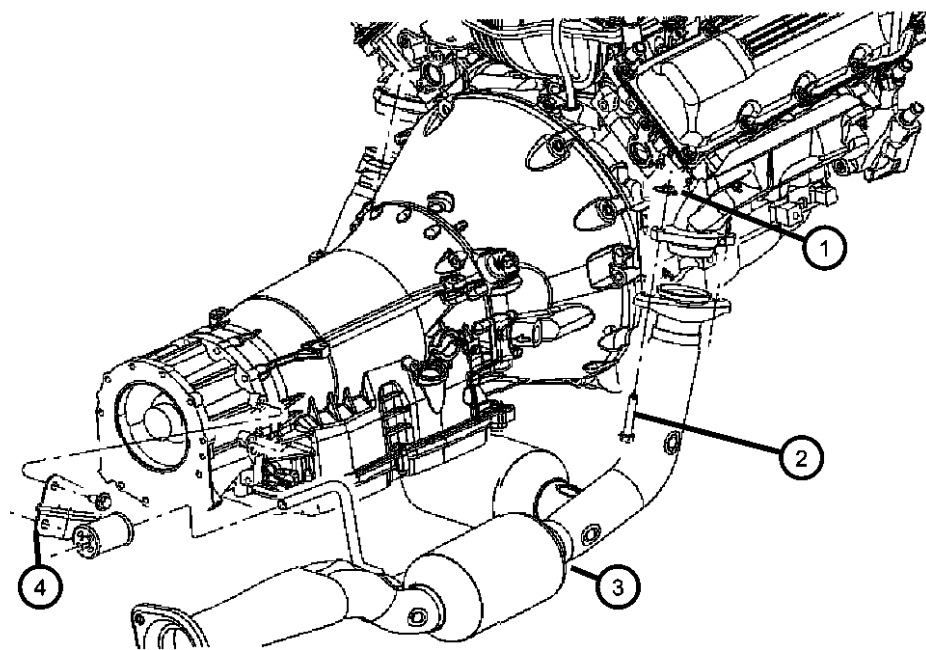


NEW JEEP (XK)				
SERIES	LINE	BODY	ENGINE	TRANSMISSION
H = HIGHLINE	T = JEEP - 2WD	74 = SPORT UTILITY 4-DR	EKG = 3.7L V6 Engine	DGQ = 5-Spd Automatic 5-45RFE Transmission
P = PREMIUM	J = JEEP - 4WD		EVA = 4.7L V8 MPI Engine	DGJ = 5-Speed Automatic MB Transmission
			EZB = 5.7L Hemi Multi Displacement Engine	

AR = use ase required - = Non illustrated part

Exhaust System, 3.7L [EK0] 4.7L [EV0] 5.7L [EZ0]
Figure 11-110

ITEM	PART NUMBER	QTY	LINE	SERIES	BODY	ENGINE	TRANS	TRIM	DESCRIPTION
-12		2	J			EK0			DAMPER, Exhaust Pipe
	52124156AA	1				EK0			M14 1 LB MASS
	52124157AA	1				EV0, EX0			M14 0.5 LB MASS
-13	05175688AA	1				EZ0			GASKET, Exhaust Pipe
-14	05175689AA	1				EZ0			NUT, Exhaust Pipe



NEW JEEP (XK)

SERIES LINE
H = HIGHLINE T = JEEP - 2WD
P = PREMIUM J = JEEP - 4WD

BODY
74 = SPORT UTILITY 4-DR

ENGINE
EKG = 3.7L V6 Engine
EVA = 4.7L V8 MPI Engine
EZB = 5.7L Hemi Multi
Displacement Engine

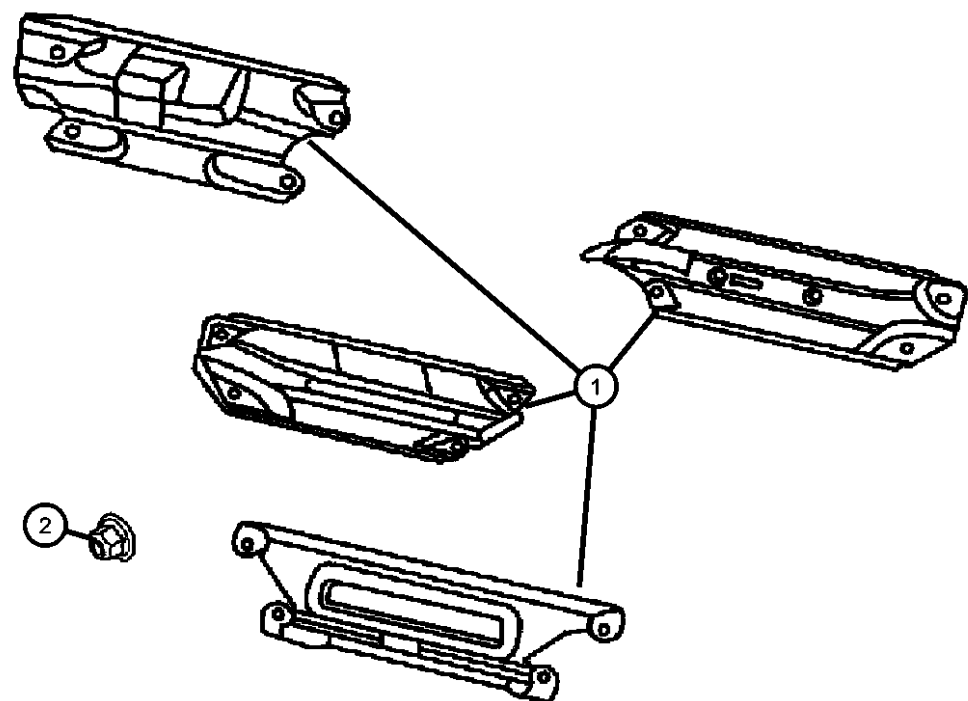
TRANSMISSION
DGQ = 5-Spd Automatic 5-45RFE
Transmission
DGJ = 5-Speed Automatic MB
Transmission

AR = use ase required - = Non illustrated part

2006 XK

Heat Shields, 3.7 [EK0] 4.7 [EV0] 5.7 [EZ0]
Figure 11-210

ITEM	PART NUMBER	QTY	LINE	SERIES	BODY	ENGINE	TRANS	TRIM	DESCRIPTION
1									SHIELD, Exhaust Manifold
	53013603AA	1				EV0			Left
	53013604AB	1				EV0			Right
	53032208AH	2				EZ0			
	53032674AE	1				EK0			Right
	53032675AD	1				EK0			Left
2									NUT
	06505316AA	8				EV0			
		8				EK0			
		8				EZ0			



NEW JEEP (XK)

SERIES LINE
H = HIGHLINE T = JEEP - 2WD
P = PREMIUM J = JEEP - 4WD

BODY
74 = SPORT UTILITY 4-DR

ENGINE
EKG = 3.7L V6 Engine
EVA = 4.7L V8 MPI Engine
EZB = 5.7L Hemi Multi
Displacement Engine

TRANSMISSION
DGQ = 5-Spd Automatic 5-45RFE
Transmission
DGJ = 5-Speed Automatic MB
Transmission

AR = use ase required - = Non illustrated part

2006 XK

Group - 13

Frames and Bumpers

Group - 13 Frames and Bumpers

Group-Fig. No.

Illustration Title

Front Bumper and Fascia

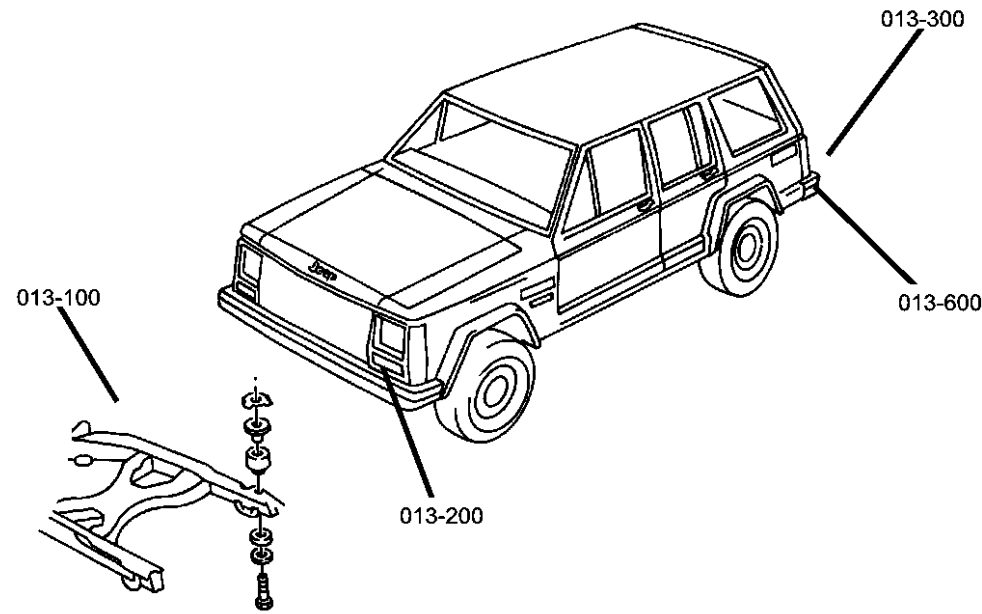
Bumper, FrontFig. 13 - 210
 Front StructureFig. 13 - 220

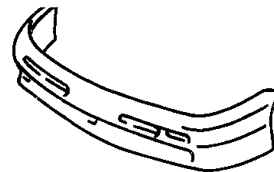

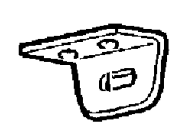
Rear Bumper and Fascia

Bumper, RearFig. 13 - 310

Trailer Tow

Tow EyeFig. 13 - 610
 Rear HitchFig. 13 - 620

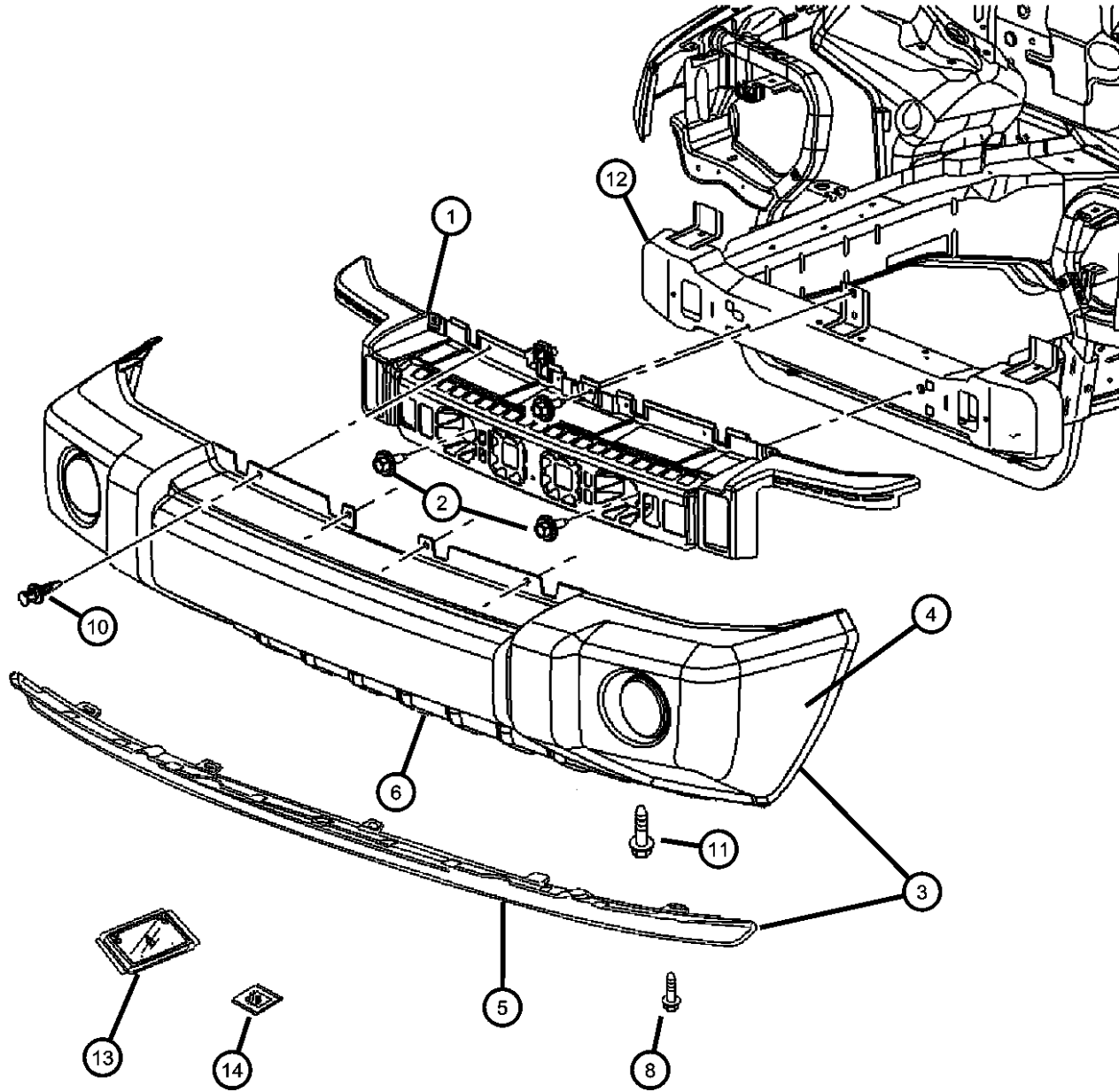


<p>013-200 Front Bumper and Fascia</p> 	<p>013-300 Rear Bumper and Fascia</p> 	<p>013-600 Trailer Tow</p> 	
--------------------------------------------------------------------------------------------------------------------------------------	--------------------------------------------------------------------------------------------------------------------------------------	----------------------------------------------------------------------------------------------------------------------------	--

Bumper, Front
Figure 13-210

ITEM	PART NUMBER	QTY	LINE	SERIES	BODY	ENGINE	TRANS	TRIM	DESCRIPTION
------	-------------	-----	------	--------	------	--------	-------	------	-------------

Note: When Item #1, Bracket, Fascia 55156974AC is exhausted 55156974AD will be used. To make 55156974AD work for vehicles that had 55156974AC



1	55156974AC	1							BRACKET, Fascia See Note, Up to 11/7/05
	55156974AD	1							After 11/7/05
2	06508237AA	1							SCREW
3	5JU641B8AC	1							FASCIA, Front [B8], Body Color/Bright [MB3]
	5JU641GJAC	1	J, T		74				[GJ], Body Color/Bright [MB3]
	5JU641GVAC	1							[GV], Body Color/Bright [MB3]
	5JU641JCAC	1							[JC], Body Color/Bright [MB3]
	5JU641JTAC	1							[JT], Body Color/Bright [MB3]
	5JU641RJAC	1							[RJ], Body Color/Bright [MB3]
	5JU641SBAC	1							[SB], Body Color/Bright [MB3]
	5JU641W1AC	1							[W1], Body Color/Bright [MB3]
	5JU641X8AC	1							[X8], Body Color/Bright [MB3]
4	05183429AA	1							FASCIA, Front, Primed Body Color/Bright [MB3]
	05183619AA	1		H					Body Color [MLH]
5	05183438AA	1							AIR DAM
6	05183439AA	1							NERF, Fascia, Bright, Bright
-7	06506579AA	4							SCREW, Tapping
8	05183468AA	5							RETAINER, Air Dam
-9	05183440AA	2		H					COVER, Lamp Opening, Without Fog Lamps
10	04857108	4							RETAINER, Fascia to Support
11	06505903AA	2							SCREW AND WASHER, Self Tapping, M6x1x22, Fascia to Crossmember
12	05166082AA	1							CROSSMEMBER, Underbody
13	55156796AA	1							LICENSE PLATE KIT
14	06505903AA	2							SCREW AND WASHER, Self Tapping, M6x1x22, Front Bracket to Body

NEW JEEP (XK)

SERIES LINE
H = HIGHLINE T = JEEP - 2WD
P = PREMIUM J = JEEP - 4WD

BODY
74 = SPORT UTILITY 4-DR

ENGINE
EKG = 3.7L V6 Engine
EVA = 4.7L V8 MPI Engine
EZB = 5.7L Hemi Multi
Displacement Engine

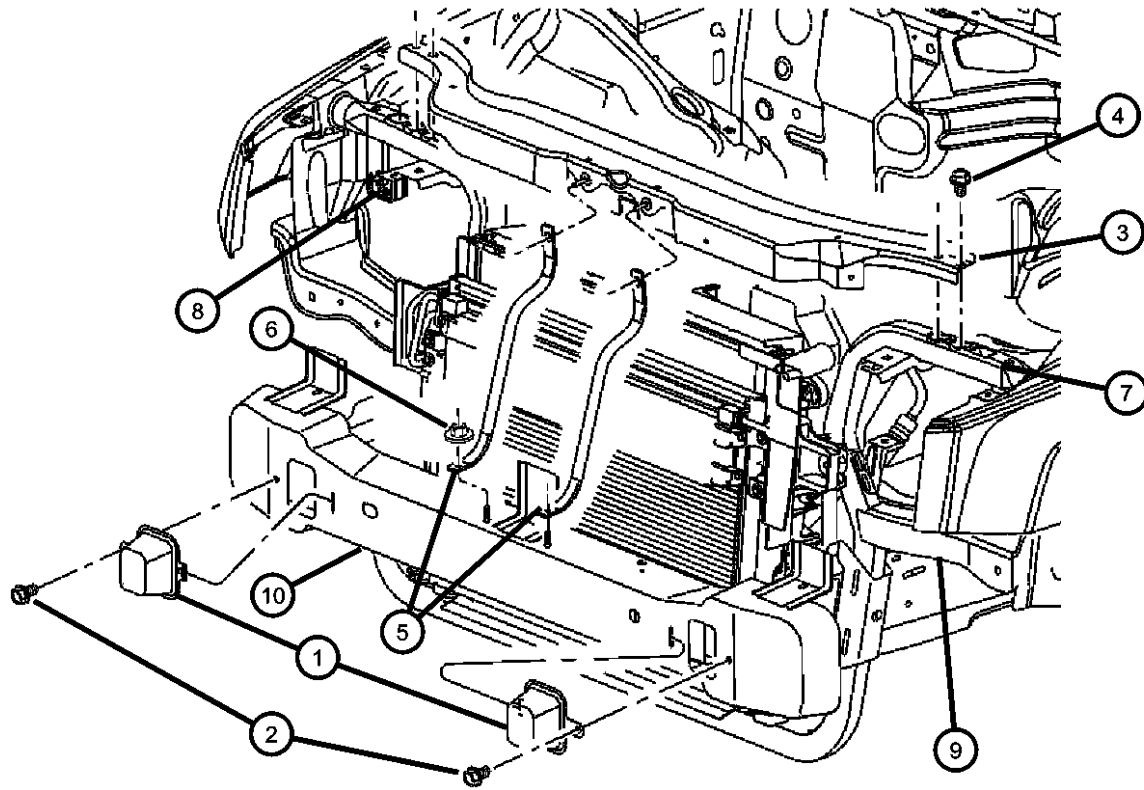
TRANSMISSION
DGQ = 5-Spd Automatic 5-45RFE
Transmission
DGJ = 5-Speed Automatic MB
Transmission

AR = use ase required - = Non illustrated part

2006 XK

Front Structure
Figure 13-220

ITEM	PART NUMBER	QTY	LINE	SERIES	BODY	ENGINE	TRANS	TRIM	DESCRIPTION
1	55360410AA	2							SPACER, Jounce Bumper
2	06505903AA	2							SCREW AND WASHER, Self Tapping, M6x1x22
3	55396487AD	1							CROSSMEMBER, Radiator
4	06104368AA	4							SCREW
5	55396492AB	2							BRACE, Radiator Crossmember
6	06104726AA	2							NUT
7	05143322AC	1							CROSSMEMBER, Radiator
8									BRACKET, Headlamp
	68019040AA	1	J, T		74				Right
	68019041AA	1	J, T		74				Left
9									BRACKET, Fender Dog Leg
	68019060AA	1	J, T		74				Right
	68019061AA	1	J, T		74				Left
10	05166082AA	1							CROSSMEMBER, Underbody



NEW JEEP (XK)

SERIES LINE
H = HIGHLINE T = JEEP - 2WD
P = PREMIUM J = JEEP - 4WD

BODY
74 = SPORT UTILITY 4-DR

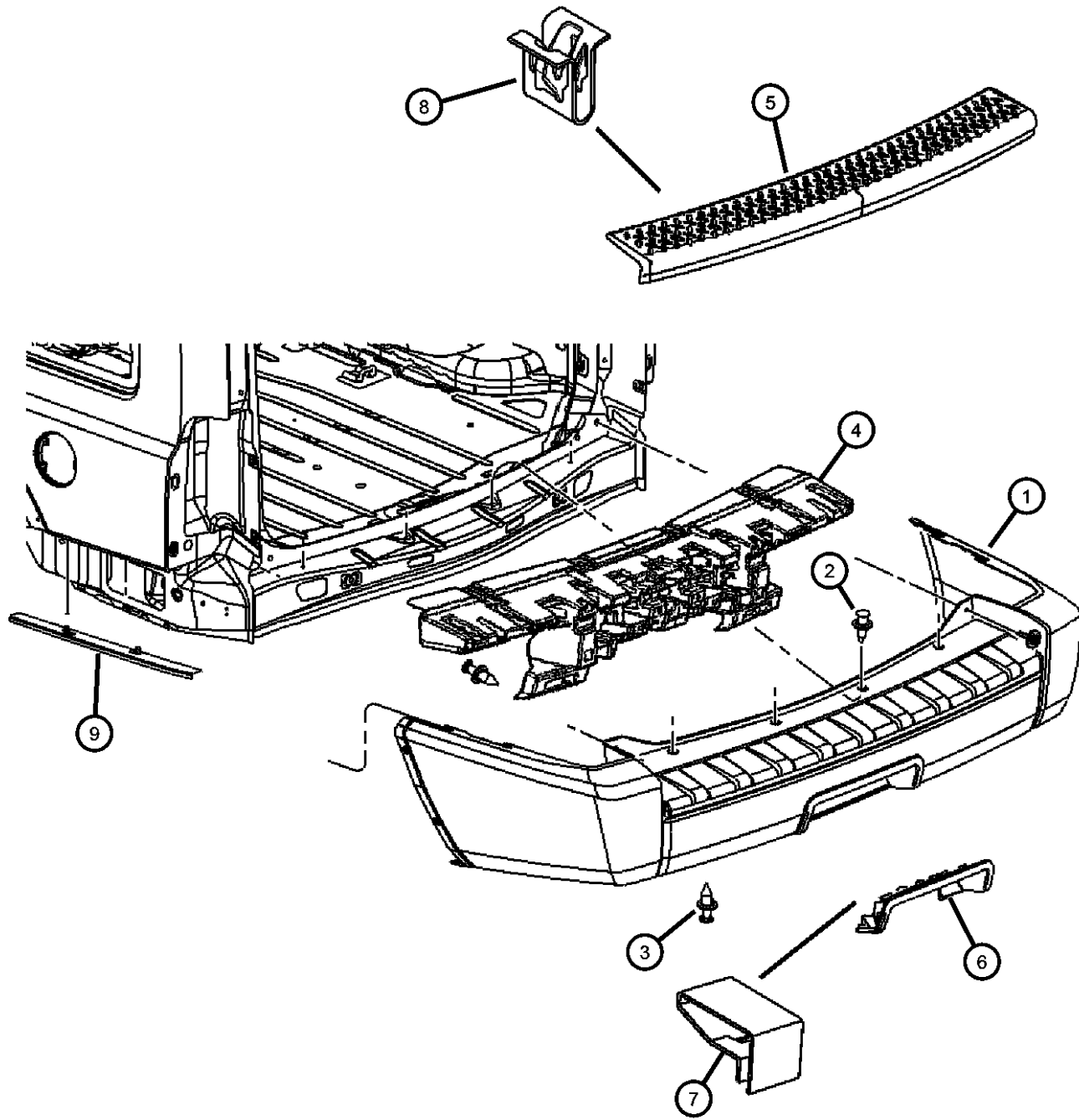
ENGINE
EKG = 3.7L V6 Engine
EVA = 4.7L V8 MPI Engine
EZB = 5.7L Hemi Multi Displacement Engine

TRANSMISSION
DGQ = 5-Spd Automatic 5-45RFE Transmission
DGJ = 5-Speed Automatic MB Transmission

AR = use ase required - = Non illustrated part

2006 XK

Bumper, Rear
Figure 13-310



ITEM	PART NUMBER	QTY	LINE	SERIES	BODY	ENGINE	TRANS	TRIM	DESCRIPTION
1	05183506AA	1							FASCIA, Rear, Primed With Hitch
	05183499AA	1							Without Hitch
2	06503598	6							PIN, Push, M8x21
3	06036585AA	2							SCREW
4	05183500AA	1							ABSORBER, Rear Energy
5	05183501AA	1							STEP PAD, Rear Fascia
6	05183505AA	1							BEZEL, Hitch
7	04806226AA	4							CLIP, Spring, Hitch Bezel to Fascia
8	05183504AA	2							CLIP, Fascia, Step Pad to Fascia
9									BRACKET, Bumper
	55157466AA	1							Right
	55157467AA	1							Left

NEW JEEP (XK)

SERIES LINE
H = HIGHLINE T = JEEP - 2WD
P = PREMIUM J = JEEP - 4WD

BODY
74 = SPORT UTILITY 4-DR

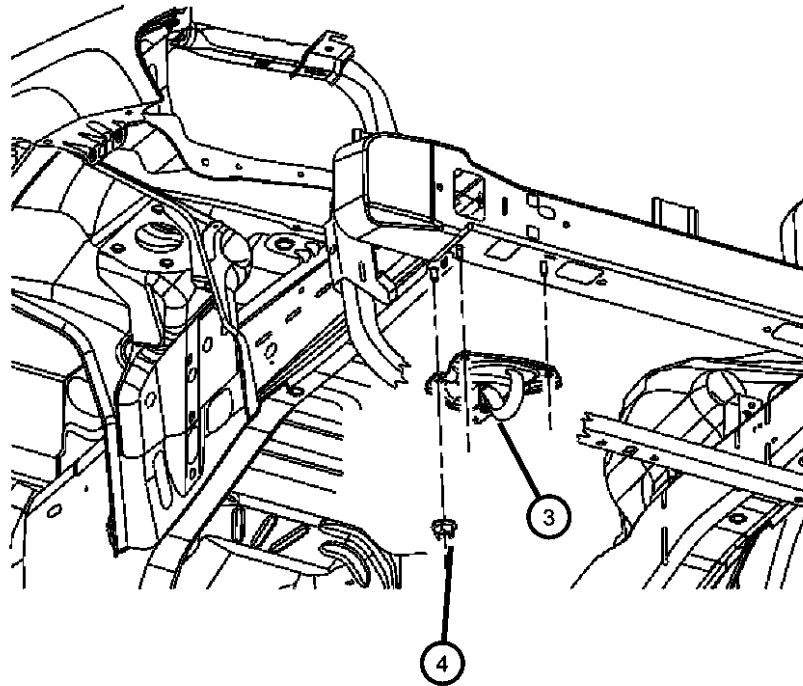
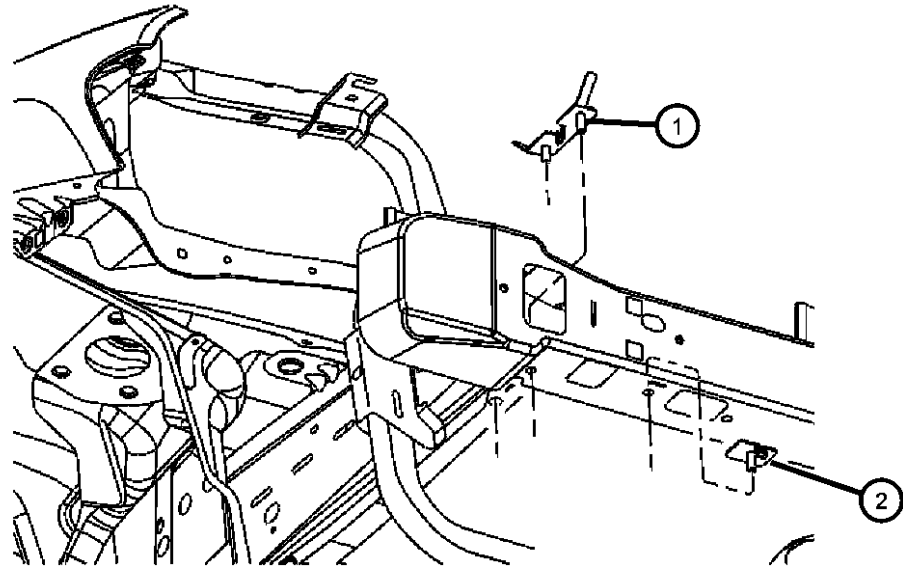
ENGINE
EKG = 3.7L V6 Engine
EVA = 4.7L V8 MPI Engine
EZB = 5.7L Hemi Multi
Displacement Engine

TRANSMISSION
DGQ = 5-Spd Automatic 5-45RFE
Transmission
DGJ = 5-Speed Automatic MB
Transmission

AR = use ase required - = Non illustrated part

2006 XK

Tow Eye
Figure 13-610



ITEM	PART NUMBER	QTY	LINE	SERIES	BODY	ENGINE	TRANS	TRIM	DESCRIPTION
1	52090140AA	2							STUD PLATE
2	52090141AA	2							STUD PLATE
3	55396915AA	1	J, T		74				HOOK, Tow With Sales Code [XFB], Bright, Left , Right
	52089357AB	1							With Sales Code [XEA], Left
	52089360AB	1							With Sales Code [XEA], Left
	55396914AA	1	J, T		74				With Sales Code [XFB], Bright, Right NUT
4	06101696	2	J						NUT
		6							

NEW JEEP (XK)

SERIES LINE
H = HIGHLINE T = JEEP - 2WD
P = PREMIUM J = JEEP - 4WD

BODY
74 = SPORT UTILITY 4-DR

ENGINE
EKG = 3.7L V6 Engine
EVA = 4.7L V8 MPI Engine
EZB = 5.7L Hemi Multi
Displacement Engine

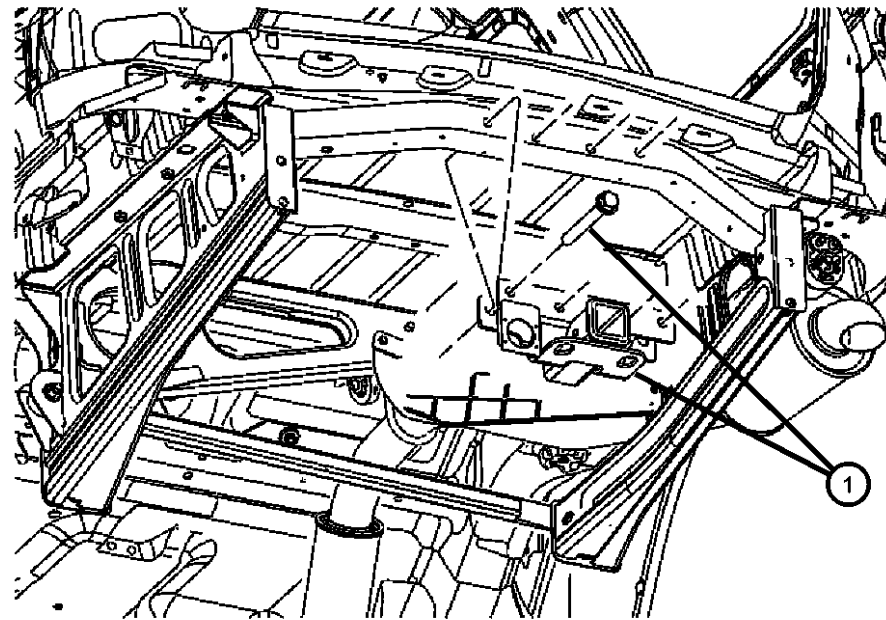
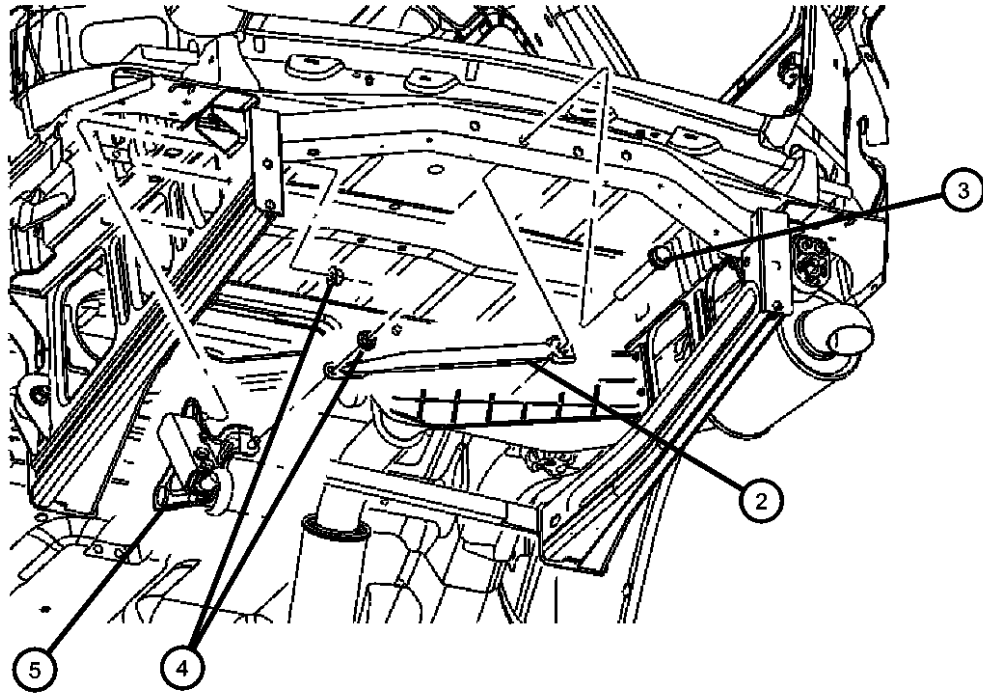
TRANSMISSION
DGQ = 5-Spd Automatic 5-45RFE
Transmission
DGJ = 5-Speed Automatic MB
Transmission

AR = use ase required - = Non illustrated part

2006 XK

Rear Hitch
Figure 13-620

ITEM	PART NUMBER	QTY	LINE	SERIES	BODY	ENGINE	TRANS	TRIM	DESCRIPTION
1									RECEIVER KIT, Trailer Tow
	82208219	1							[XFH], Class 4 Receiver Hitch
	82208228	1							[XFN], Class 2 Receiver Hitch
2	52090399AC	1							BRACE, Tow Hook
3	06104462AA	1							SCREW, Hex Head
4	06502835	4							NUT, Hex Flange, M12x1.75
5	52089363AC	1							HOOK, Tow



NEW JEEP (XK)

SERIES LINE
H = HIGHLINE T = JEEP - 2WD
P = PREMIUM J = JEEP - 4WD

BODY
74 = SPORT UTILITY 4-DR

ENGINE
EKG = 3.7L V6 Engine
EVA = 4.7L V8 MPI Engine
EZB = 5.7L Hemi Multi
Displacement Engine

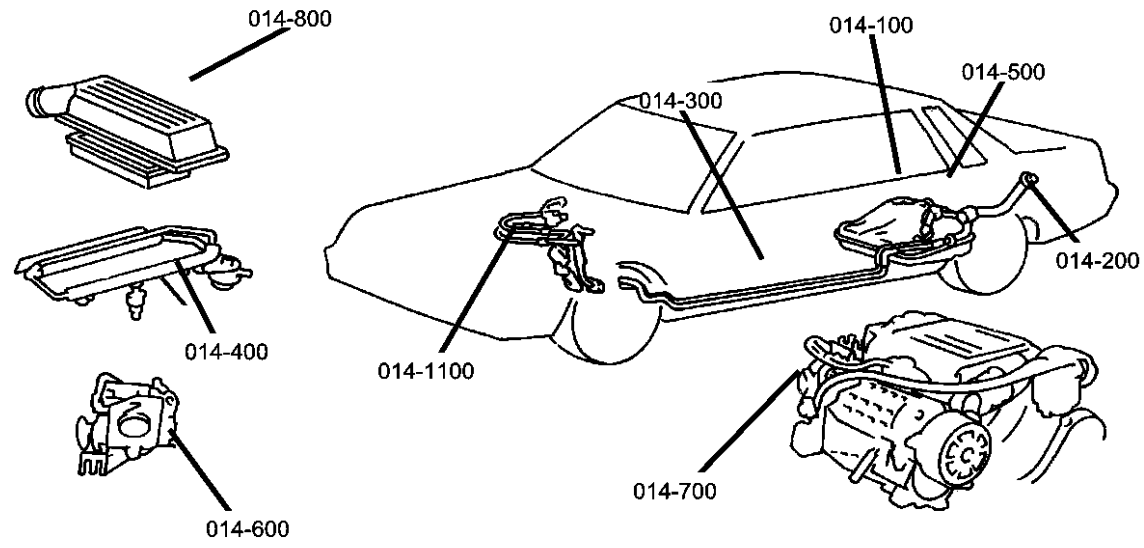
TRANSMISSION
DGQ = 5-Spd Automatic 5-45RFE
Transmission
DGJ = 5-Speed Automatic MB
Transmission

AR = use ase required - = Non illustrated part

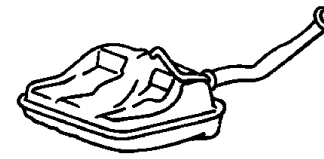
2006 XK

Group - 14

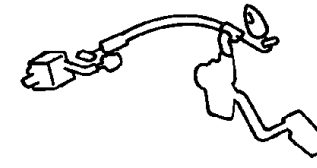
Fuel



014-100
Tank, Fuel



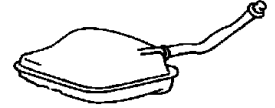
014-1000
Speed Control



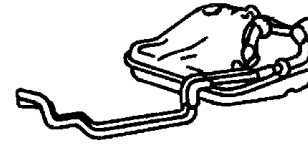
014-1100
Accelerator Pedal



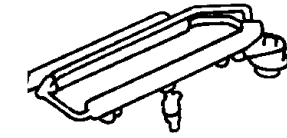
014-200
Fuel Tank Filler Tube



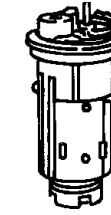
014-300
Fuel Lines



014-400
Fuel Rail



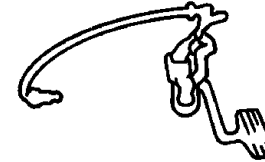
014-500
Fuel Pump and Sending Unit



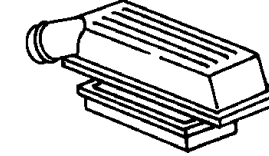
014-600
Throttle Body



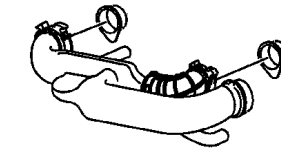
014-700
Throttle Controls



014-800
Air Cleaner



014-900
Air Intake System

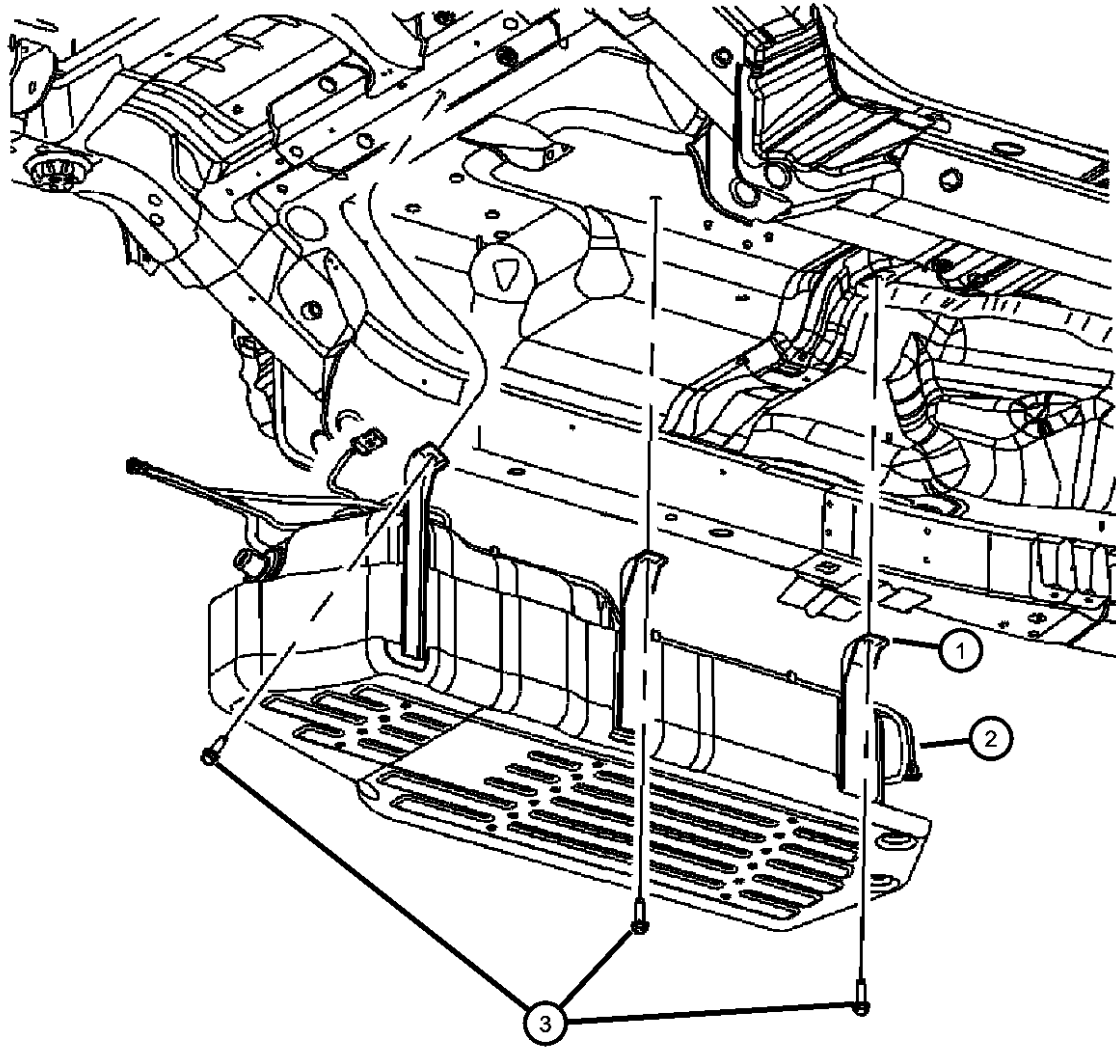


Group - 14 Fuel

Illustration Title	Group-Fig. No.
Tank, Fuel	
Fuel Tank	Fig. 14 - 110
Fuel Tank Filler Tube	
Fuel Tank Filler Tube.....	Fig. 14 - 210
Fuel Lines	
Fuel Lines,Chassis Bundle 3.7L [EK0] 4.7L [EV0].....	Fig. 14 - 330
Fuel Line Chassis Bundle 5.7L [EZ0].....	Fig. 14 - 340
Fuel Rail	
Fuel Rail	Fig. 14 - 410
Fuel Pump and Sending Unit	
Fuel Pump and Sending Unit,.....	Fig. 14 - 510
Throttle Body	
Throttle Body	Fig. 14 - 610
Throttle Controls	
Throttle Controls.....	Fig. 14 - 720
Air Cleaner	
Air Cleaner.....	Fig. 14 - 820
Air Intake System	
Air Intake System	Fig. 14 - 910
Speed Control	
Speed Control	Fig. 14 - 1010
Accelerator Pedal	
Pedal Brake, Power Adjustable	Fig. 14 - 1110

Fuel Tank
Figure 14-110

ITEM	PART NUMBER	QTY	LINE	SERIES	BODY	ENGINE	TRANS	TRIM	DESCRIPTION
1	52090411AC	1							BRACKET, Fuel Tank
2	05143934AB	1							TANK, Fuel
3	06508267AA	1							BOLT
-4	05174671AA	1				EK0, EV0, EZ0			TUBE, Control Valve to Canister, THIS TUBE CONNECT TO FUEL BUNDLE
-5	05143791AA	1				EK0, EV0, EZ0			TUBE, Fuel Vapor Recirculation



NEW JEEP (XK)

SERIES LINE
H = HIGHLINE T = JEEP - 2WD
P = PREMIUM J = JEEP - 4WD

BODY
74 = SPORT UTILITY 4-DR

ENGINE
EKG = 3.7L V6 Engine
EVA = 4.7L V8 MPI Engine
EZB = 5.7L Hemi Multi
Displacement Engine

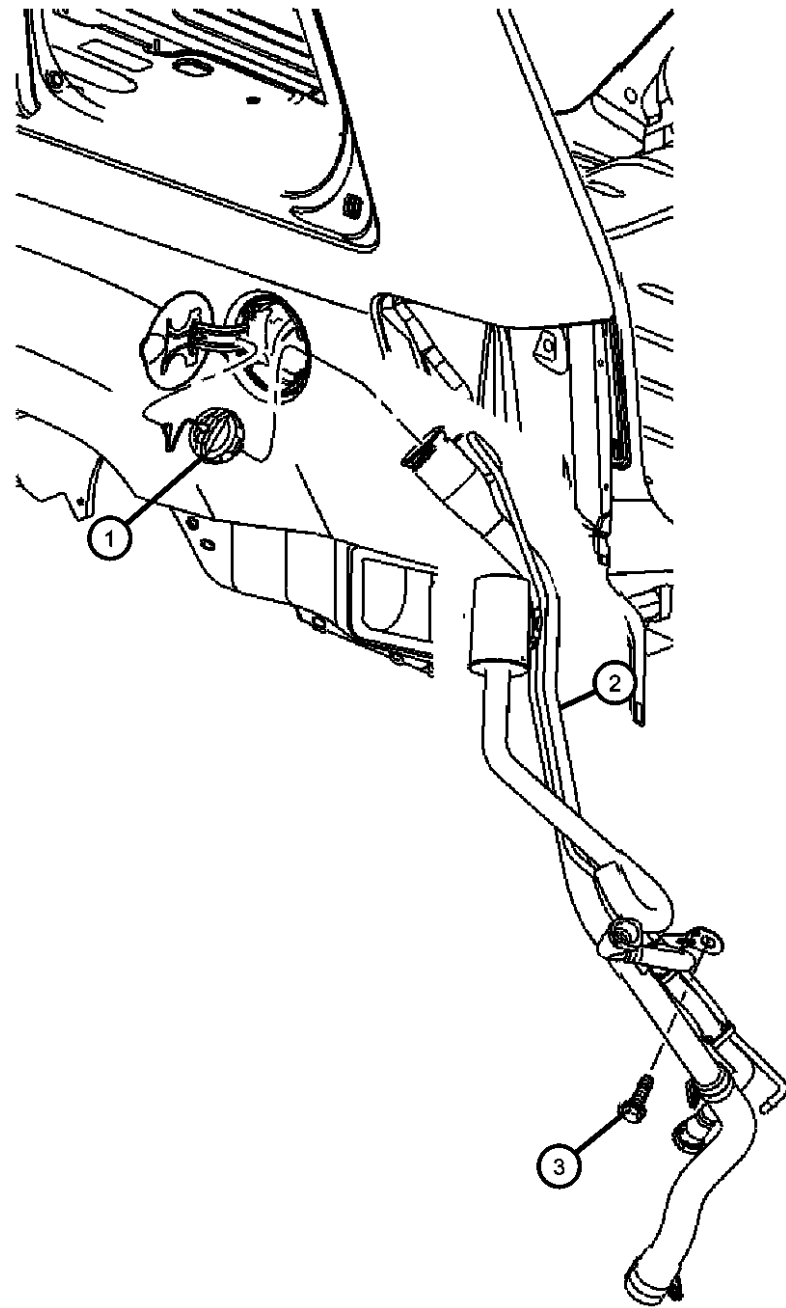
TRANSMISSION
DGQ = 5-Spd Automatic 5-45RFE
Transmission
DGJ = 5-Speed Automatic MB
Transmission

AR = use ase required - = Non illustrated part

2006 XK

Fuel Tank Filler Tube
Figure 14-210

ITEM	PART NUMBER	QTY	LINE	SERIES	BODY	ENGINE	TRANS	TRIM	DESCRIPTION
1	52102464AC	1							CAP, Fuel Filler
2	52090241AB	1				EK0, EV0, EZ0			TUBE, Fuel Filler
3	06104386AA	1							SCREW, M8x1.25x25



NEW JEEP (XK)

SERIES LINE
H = HIGHLINE T = JEEP - 2WD
P = PREMIUM J = JEEP - 4WD

BODY
74 = SPORT UTILITY 4-DR

ENGINE
EKG = 3.7L V6 Engine
EVA = 4.7L V8 MPI Engine
EZB = 5.7L Hemi Multi
Displacement Engine

TRANSMISSION
DGQ = 5-Spd Automatic 5-45RFE
Transmission
DGJ = 5-Speed Automatic MB
Transmission

AR = use ase required - = Non illustrated part

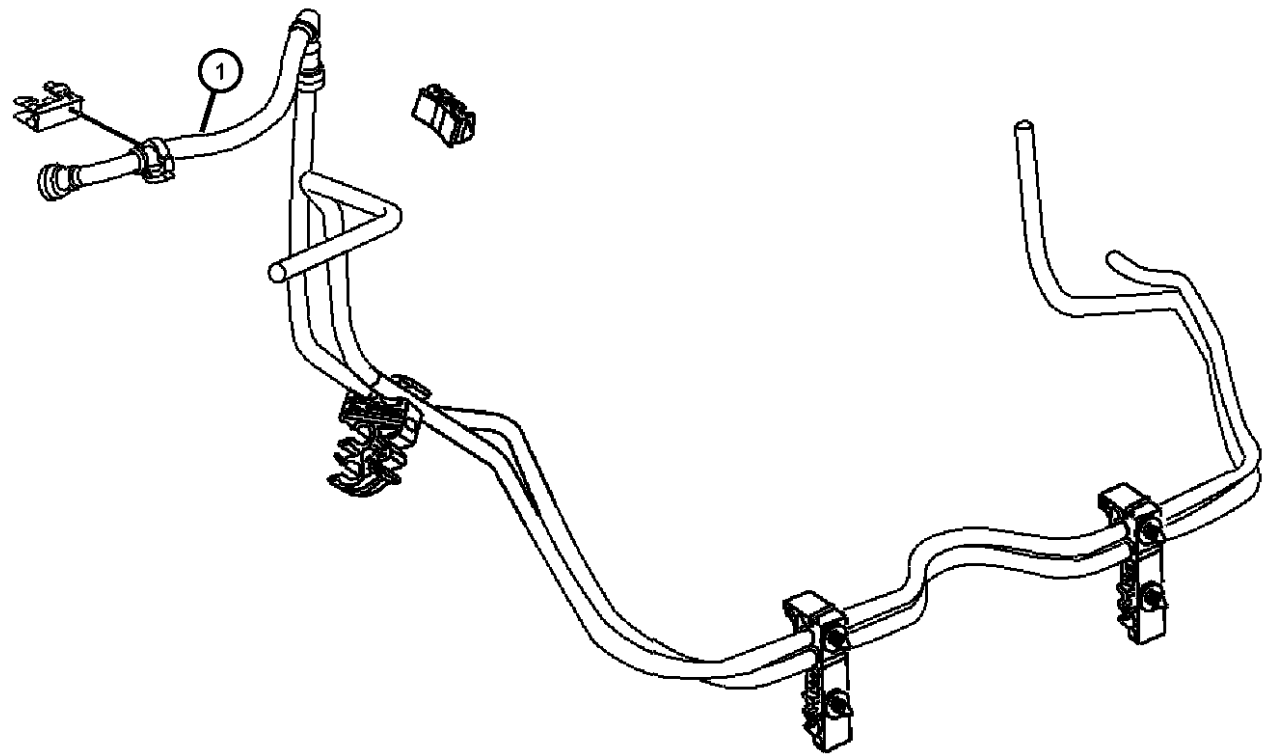
2006 XK

**Fuel Lines,Chassis Bundle 3.7L [EK0] 4.7L [EV0]
Figure 14-330**

ITEM	PART NUMBER	QTY	LINE	SERIES	BODY	ENGINE	TRANS	TRIM	DESCRIPTION
------	-------------	-----	------	--------	------	--------	-------	------	-------------

Note Sale Code: [EKG]="MAGNUM" 3.7L V6 ENGINE
[EVA]="MAGNUM" 4.7L V8 ENGINE
[EZB]=5.7L HEMI MULTI DISPLACEMENT

1	52124026AB	1				EK0, EV0			BUNDLE, Fuel and Brake Tube
---	------------	---	--	--	--	----------	--	--	-----------------------------



NEW JEEP (XK)

SERIES LINE
H = HIGHLINE T = JEEP - 2WD
P = PREMIUM J = JEEP - 4WD

BODY
74 = SPORT UTILITY 4-DR

ENGINE
EKG = 3.7L V6 Engine
EVA = 4.7L V8 MPI Engine
EZB = 5.7L Hemi Multi
Displacement Engine

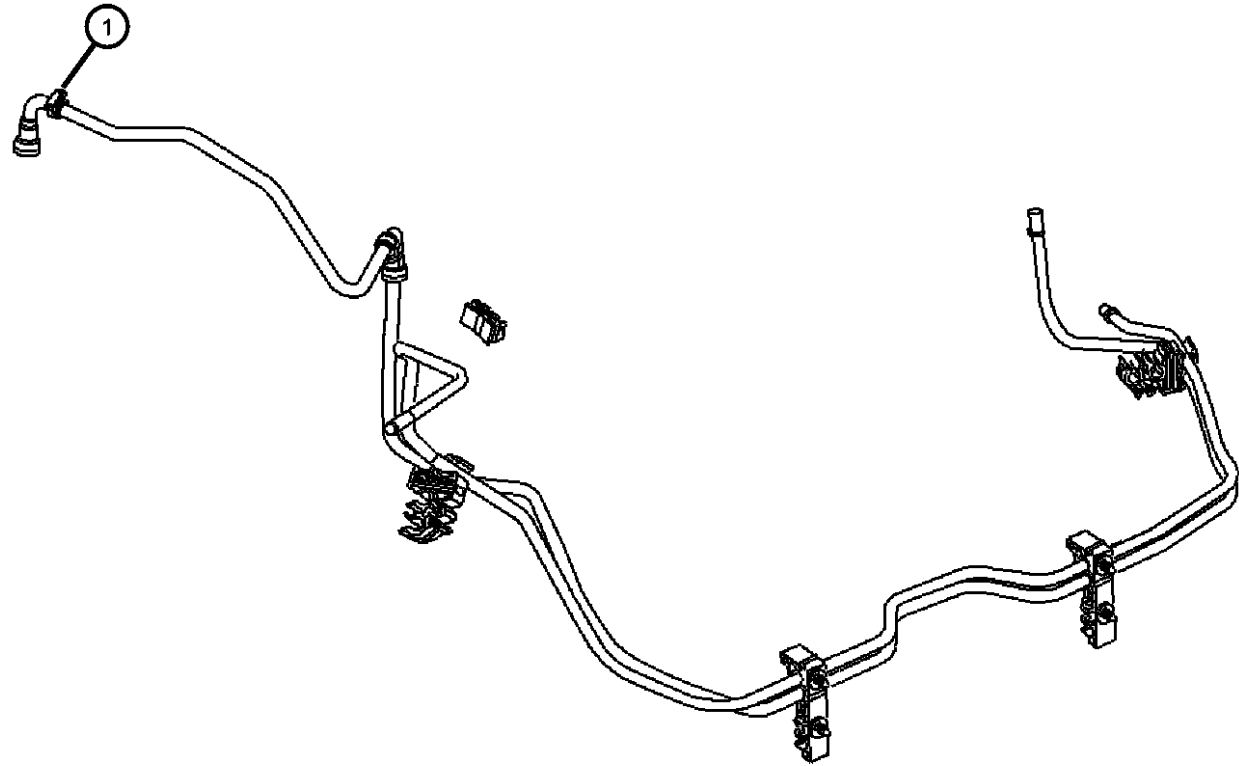
TRANSMISSION
DGQ = 5-Spd Automatic 5-45RFE
Transmission
DGJ = 5-Speed Automatic MB
Transmission

AR = use ase required - = Non illustrated part

2006 XK

**Fuel Line Chassis Bundle 5.7L [EZ0]
Figure 14-340**

ITEM	PART NUMBER	QTY	LINE	SERIES	BODY	ENGINE	TRANS	TRIM	DESCRIPTION
1									BUNDLE, Fuel and Brake Tube
	52124027AE	1				EZ0			[SNA]
	52124240AB	1				EZ0			[-SNA]



NEW JEEP (XK)

SERIES LINE
H = HIGHLINE T = JEEP - 2WD
P = PREMIUM J = JEEP - 4WD

BODY
74 = SPORT UTILITY 4-DR

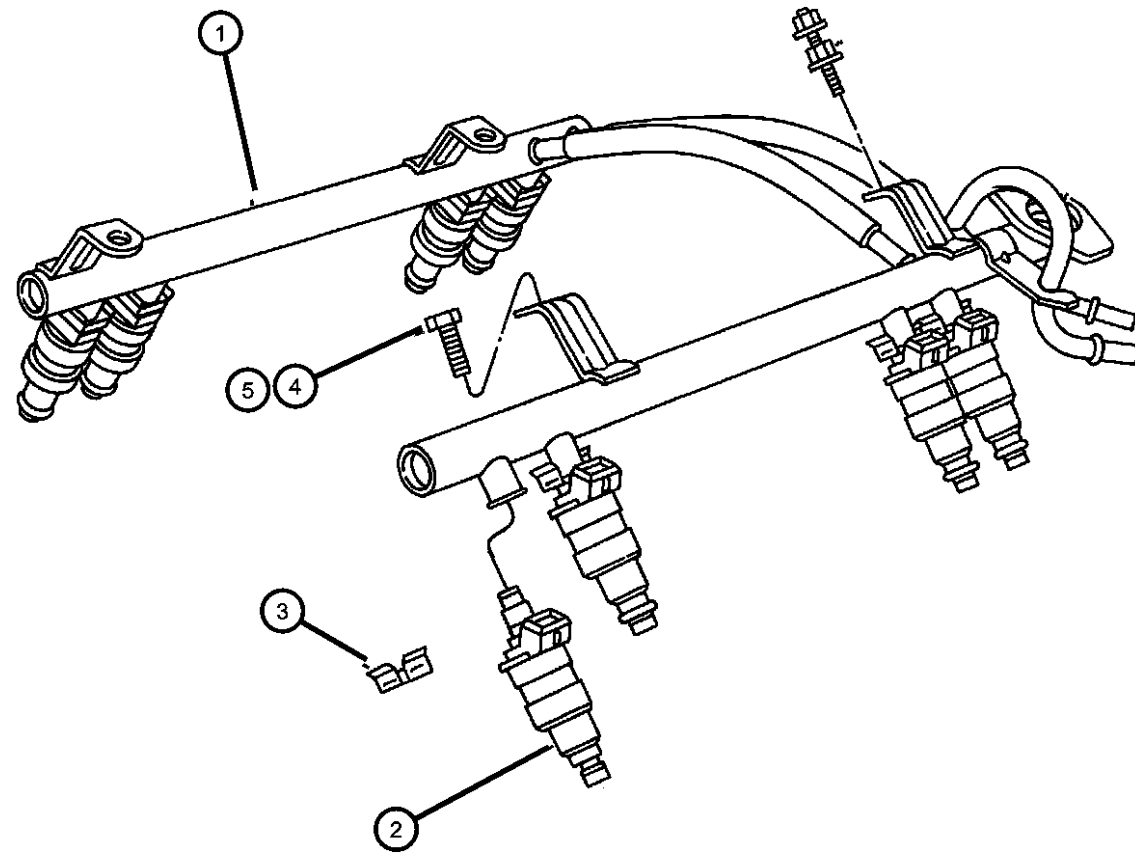
ENGINE
EKG = 3.7L V6 Engine
EVA = 4.7L V8 MPI Engine
EZB = 5.7L Hemi Multi
Displacement Engine

TRANSMISSION
DGQ = 5-Spd Automatic 5-45RFE
Transmission
DGJ = 5-Speed Automatic MB
Transmission

AR = use ase required - = Non illustrated part

2006 XK

Fuel Rail
Figure 14-410



ITEM	PART NUMBER	QTY	LINE	SERIES	BODY	ENGINE	TRANS	TRIM	DESCRIPTION
1									RAIL, Fuel
	04591853AF	1				EZB			
	53031102AB	1				EK0			
	53032721AA	1				EVO			
2									INJECTOR, Fuel
	04591851AA	8				EZB			
	53032701AA	6				EK0			
	68000881AA								Wholesale Bulk Injector Package - 70 pieces of 53032701AA
	53032704AB	8				EVO			
3									CLIP, Fuel Injector
	04418257AB	8				EZB			
		6				EK0			
	53032722AA	8				EVO			
4	06501979	1					DG0		SCREW AND WASHER, Hex Head, M6x1x17
5	06505504AA	4				EVO			SCREW
-6									O RING KIT, Fuel Injector
	04897125AA	8				EZB			
		8				EVO			
	05083745AA	6				EK0			

NEW JEEP (XK)

SERIES LINE
H = HIGHLINE T = JEEP - 2WD
P = PREMIUM J = JEEP - 4WD

BODY
74 = SPORT UTILITY 4-DR

ENGINE
EKG = 3.7L V6 Engine
EVA = 4.7L V8 MPI Engine
EZB = 5.7L Hemi Multi
Displacement Engine

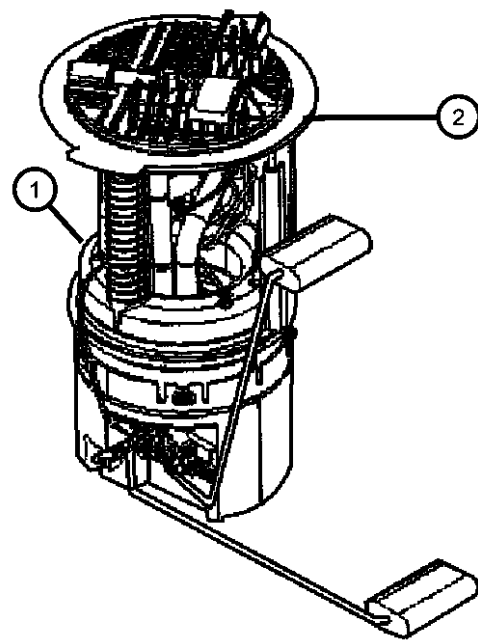
TRANSMISSION
DGQ = 5-Spd Automatic 5-45RFE
Transmission
DGJ = 5-Speed Automatic MB
Transmission

AR = use ase required - = Non illustrated part

2006 XK

**Fuel Pump and Sending Unit,
Figure 14-510**

ITEM	PART NUMBER	QTY	LINE	SERIES	BODY	ENGINE	TRANS	TRIM	DESCRIPTION
1	05143579AC	1							MODULE KIT, Fuel Pump/Level Unit
2	52113610AB	1							SEAL, Fuel Pump and Level Unit
-3	05143578AA	1							LEVEL UNIT KIT, Fuel
-4	52110282AA	1							RING, Lock, Fuel Module
-5	05174672AA	1							TUBE, Fuel Module to Supply Line



NEW JEEP (XK)

SERIES LINE
H = HIGHLINE T = JEEP - 2WD
P = PREMIUM J = JEEP - 4WD

BODY
74 = SPORT UTILITY 4-DR

ENGINE
EKG = 3.7L V6 Engine
EVA = 4.7L V8 MPI Engine
EZB = 5.7L Hemi Multi Displacement Engine

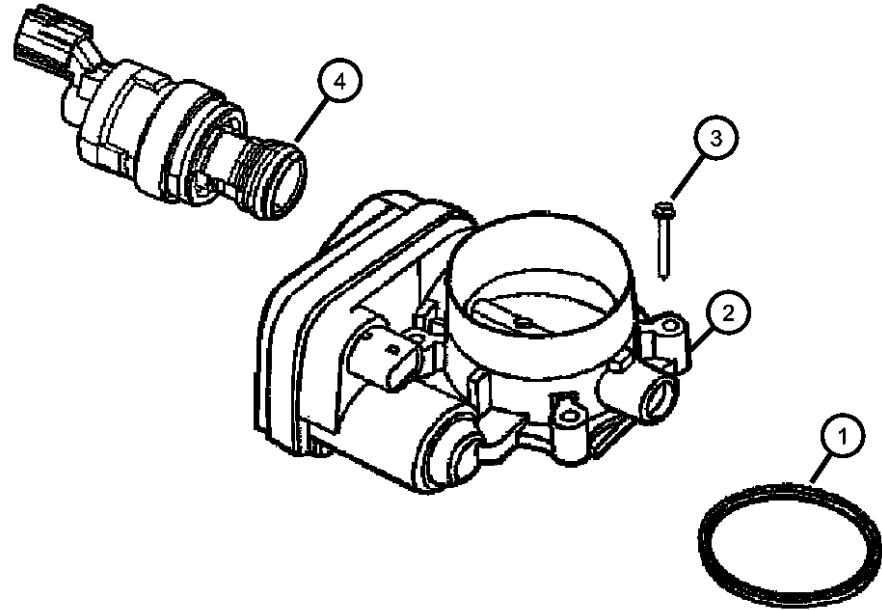
TRANSMISSION
DGQ = 5-Spd Automatic 5-45RFE Transmission
DGJ = 5-Speed Automatic MB Transmission

AR = use ase required - = Non illustrated part

2006 XK

**Throttle Body
Figure 14-610**

ITEM	PART NUMBER	QTY	LINE	SERIES	BODY	ENGINE	TRANS	TRIM	DESCRIPTION
1	05017478AA	1				EVO			GASKET, Throttle Body
2									THROTTLE BODY
	04591847AC	1				EZB			
	05114397AA	1				EVO			
	05139073AB	1				EK0			
3	05139073AB	1							SCREW, M6X1.00X40.00, (NOT SERVICED)
4									SOLENOID, Linear IACV
	04861552AC	1				EK0			
		1				EVO			
-5	83503642	1				EVO			O RING, Throttle Body
-6									SENSOR KIT, Throttle Position
	05017479AA	1				EVO			
	05019411AC	1				EK0			
-7									GASKET, Throttle Body To Intake
	53013292AB	1				EK0			
	53030952AB	1				EVO			
-8									O RING KIT, Linear Solenoid
	05114356AA	1				EK0			
		1				EVO			



NEW JEEP (XK)

SERIES LINE
H = HIGHLINE T = JEEP - 2WD
P = PREMIUM J = JEEP - 4WD

BODY
74 = SPORT UTILITY 4-DR

ENGINE
EKG = 3.7L V6 Engine
EVA = 4.7L V8 MPI Engine
EZB = 5.7L Hemi Multi
Displacement Engine

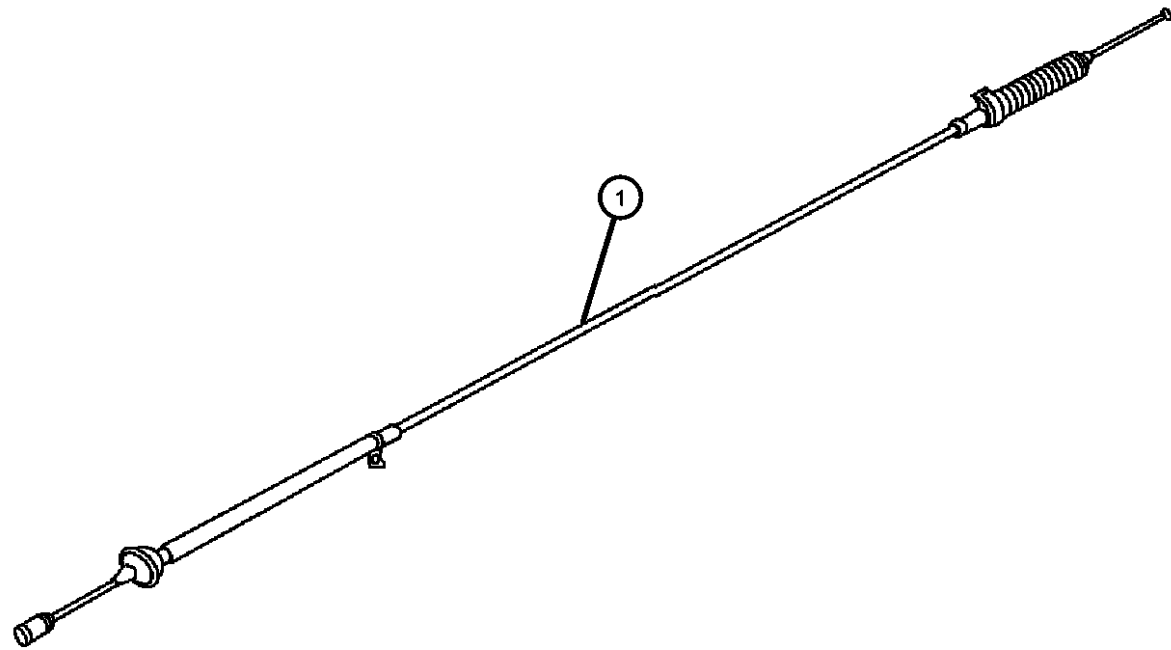
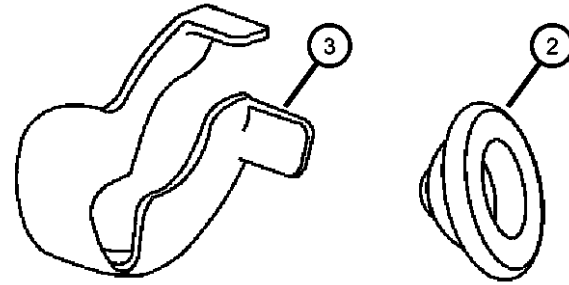
TRANSMISSION
DGQ = 5-Spd Automatic 5-45RFE
Transmission
DGJ = 5-Speed Automatic MB
Transmission

AR = use ase required - = Non illustrated part

2006 XK

Throttle Controls
Figure 14-720

ITEM	PART NUMBER	QTY	LINE	SERIES	BODY	ENGINE	TRANS	TRIM	DESCRIPTION
1	52109653AD	1				EK0, EVO			CABLE, Accelerator
2	04674441	1				EZ0			PLUG, Body, .75 Diameter
3	05214613	1				EK0, EVO			CLIP, Cable



NEW JEEP (XK)

SERIES LINE
H = HIGHLINE T = JEEP - 2WD
P = PREMIUM J = JEEP - 4WD

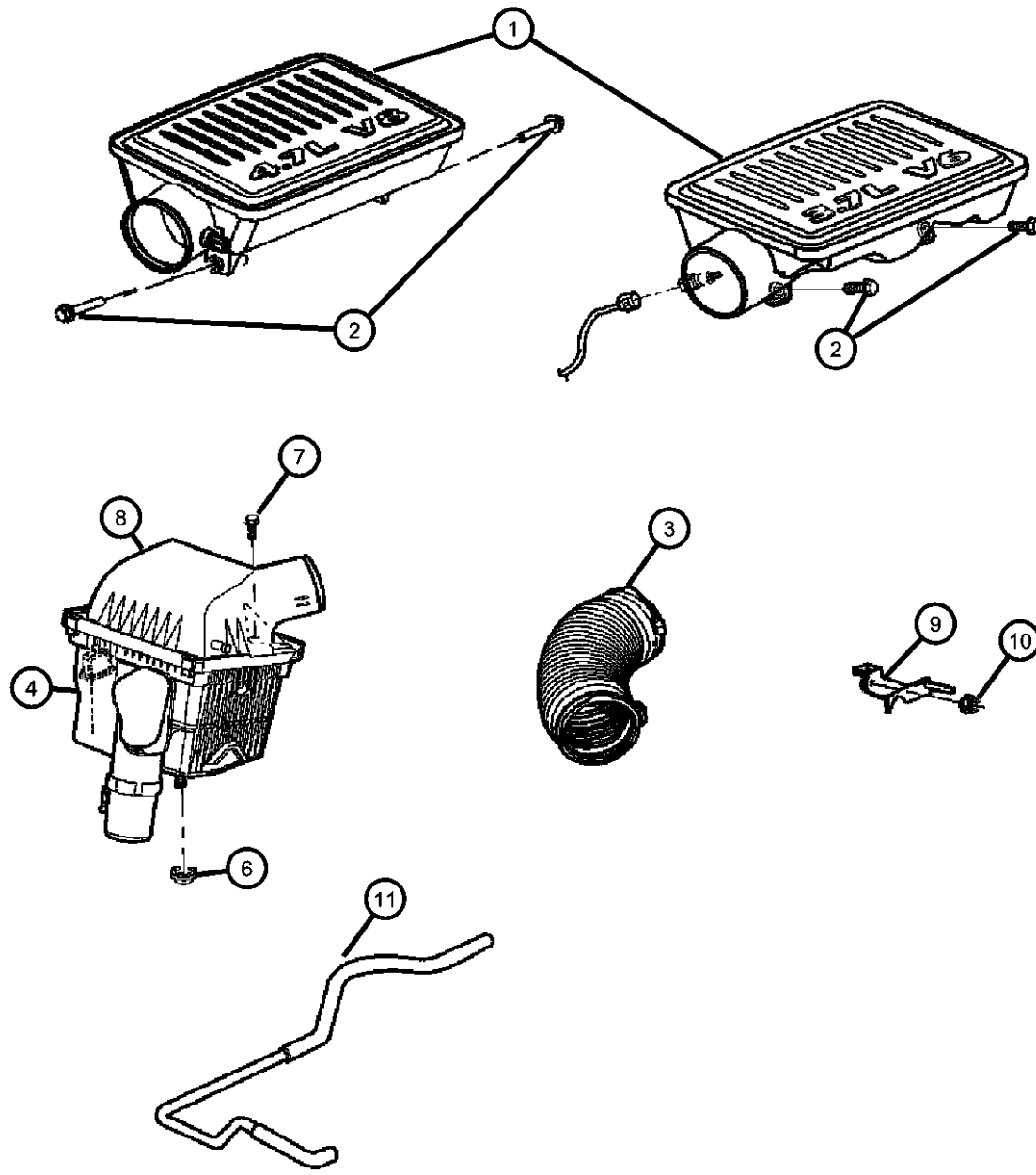
BODY
74 = SPORT UTILITY 4-DR

ENGINE
EKG = 3.7L V6 Engine
EVA = 4.7L V8 MPI Engine
EZB = 5.7L Hemi Multi Displacement Engine

TRANSMISSION
DGQ = 5-Spd Automatic 5-45RFE Transmission
DGJ = 5-Speed Automatic MB Transmission

AR = use ase required - = Non illustrated part

**Air Cleaner
Figure 14-820**



ITEM	PART NUMBER	QTY	LINE	SERIES	BODY	ENGINE	TRANS	TRIM	DESCRIPTION
1	53013517AD	1				EZB			RESONATOR, Air Cleaner
	53013521AB	1				EK0			
2	06101769	2				EVO			SCREW, Hex Head, M6x1x35
3	53013522AC	1				EK0, EVO			HOSE, Air Cleaner
4	05159169AA	1				EK0, EVO			BODY, Air Cleaner
		1				EZ0			
-5	05018777AB	1				EK0, EVO			FILTER, Air
	VMWK30K1AA								Mopar HEMI 5.7L Maintenance Kit 30,000 Mile (Air/Oil Filters, Plugs, PCV)
	VMWK60K1AA								Mopar HEMI 5.7L Maintenance Kit 60,000 Mile (Air/Oil Filters, Plugs, PCV, Drive Belt, LX Cabin Filter)
	77060013								Performance Cold Air System, KJ, 2005-2006, 3.7L
	P4510472								Performance Air Filter, KJ, 2002-2003, 3.7L
	77060010								Performance Cold Air System, WK, 2005-2007, 5.7L
	77060011								Performance Cold Air System, WK, 2005-2007, 6.1L
		1				EZ0			
	VMWK30K1AA								Mopar HEMI 5.7L Maintenance Kit 30,000 Mile (Air/Oil Filters, Plugs, PCV)
	VMWK60K1AA								Mopar HEMI 5.7L Maintenance Kit 60,000 Mile (Air/Oil Filters, Plugs, PCV, Drive Belt, LX Cabin Filter)
	77060013								Performance Cold Air System, KJ, 2005-2006, 3.7L
	P4510472								Performance Air Filter, KJ, 2002-2003, 3.7L
	77060010								Performance Cold Air System, WK, 2005-2007, 5.7L
	77060011								Performance Cold Air System, WK, 2005-2007, 6.1L
6	53013357AA	1							GROMMET, Air Cleaner
7	06505846AA	1							BOLT, Hex Flange Head
8									COVER, Air Cleaner

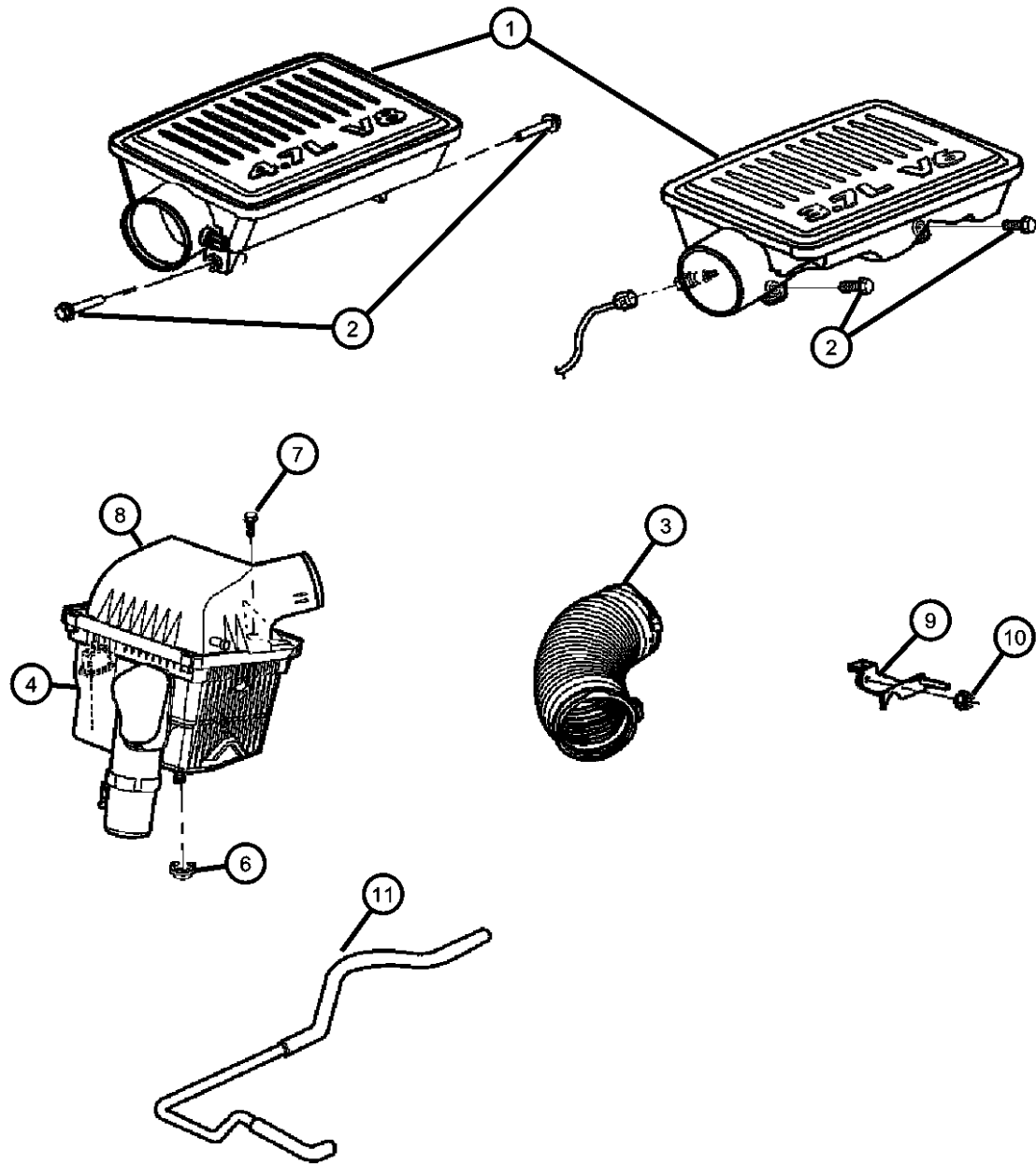
NEW JEEP (XK)

SERIES	LINE	BODY	ENGINE	TRANSMISSION
H = HIGHLINE	T = JEEP - 2WD	74 = SPORT UTILITY 4-DR	EKG = 3.7L V6 Engine	DGQ = 5-Spd Automatic 5-45RFE Transmission
P = PREMIUM	J = JEEP - 4WD		EVA = 4.7L V8 MPI Engine	DGJ = 5-Speed Automatic MB Transmission
			EZB = 5.7L Hemi Multi Displacement Engine	

AR = use ase required - = Non illustrated part

**Air Cleaner
Figure 14-820**

ITEM	PART NUMBER	QTY	LINE	SERIES	BODY	ENGINE	TRANS	TRIM	DESCRIPTION
	05143968AA	1				EK0, EV0			
	05143969AA	1				EZ0			
9	53013774AB	1				EZB			BRACKET, Resonator
10									NUT
	06104717AA	2				EV0, EZ0			
		2	T			EK0	DG0		
11	53013759AB	1				EZB			HOSE, Make Up Air



NEW JEEP (XK)

SERIES LINE
H = HIGHLINE T = JEEP - 2WD
P = PREMIUM J = JEEP - 4WD

BODY
74 = SPORT UTILITY 4-DR

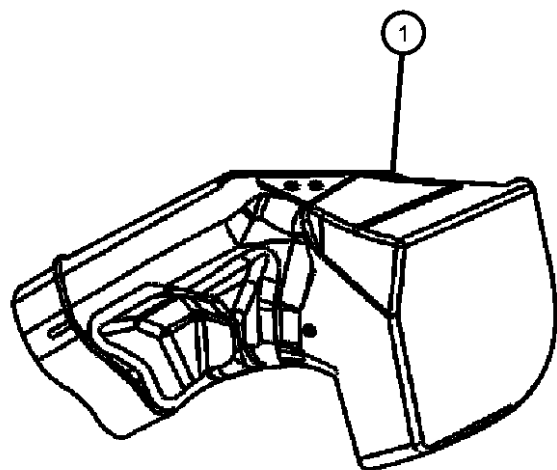
ENGINE
EKG = 3.7L V6 Engine
EVA = 4.7L V8 MPI Engine
EZB = 5.7L Hemi Multi
Displacement Engine

TRANSMISSION
DGQ = 5-Spd Automatic 5-45RFE
Transmission
DGJ = 5-Speed Automatic MB
Transmission

AR = use ase required - = Non illustrated part

**Air Intake System
Figure 14-910**

ITEM	PART NUMBER	QTY	LINE	SERIES	BODY	ENGINE	TRANS	TRIM	DESCRIPTION
1	53013730AC	1							DUCT, Ambient Air



NEW JEEP (XK)

SERIES LINE
H = HIGHLINE T = JEEP - 2WD
P = PREMIUM J = JEEP - 4WD

BODY
74 = SPORT UTILITY 4-DR

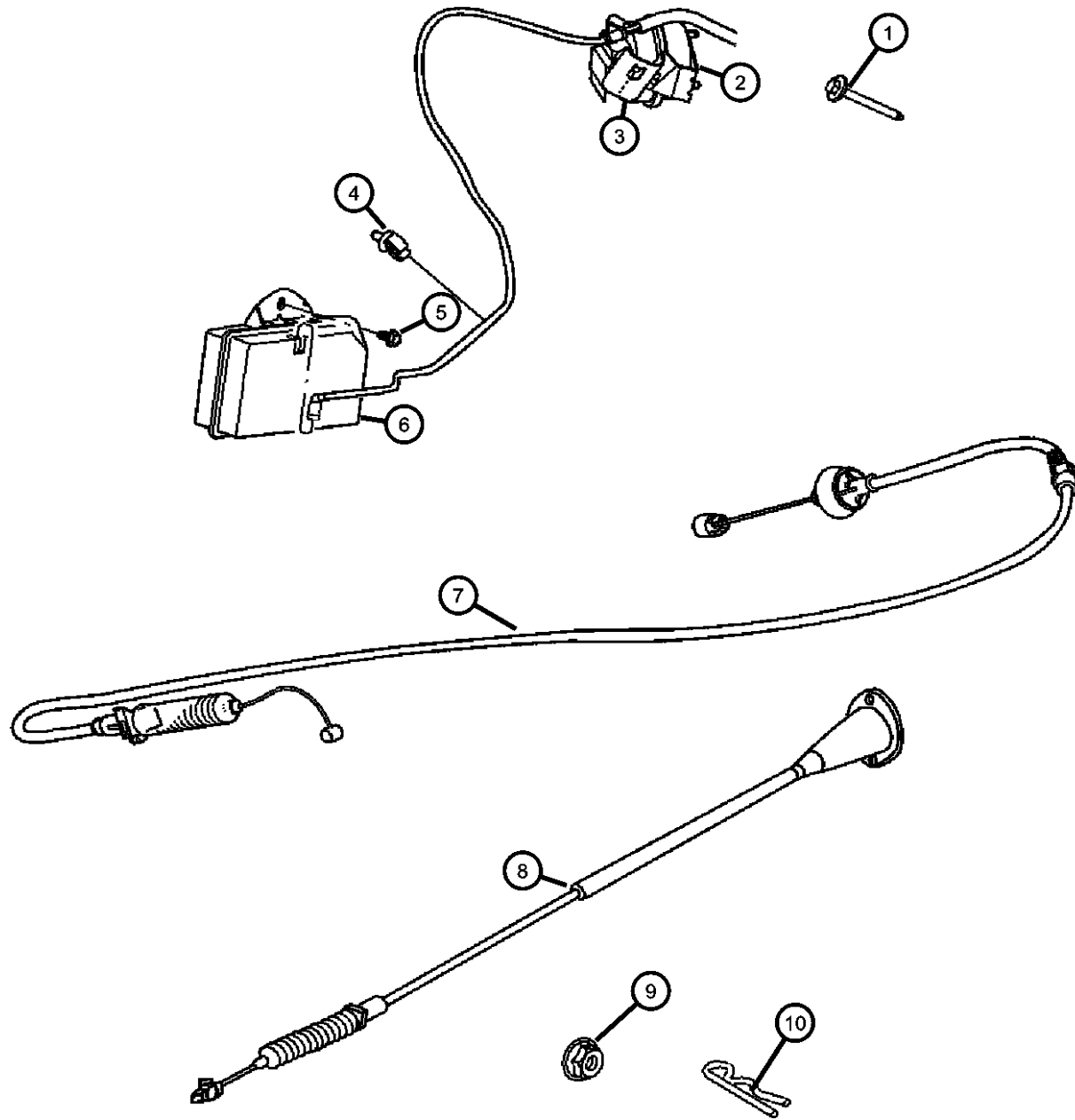
ENGINE
EKG = 3.7L V6 Engine
EVA = 4.7L V8 MPI Engine
EZB = 5.7L Hemi Multi Displacement Engine

TRANSMISSION
DGQ = 5-Spd Automatic 5-45RFE Transmission
DGJ = 5-Speed Automatic MB Transmission

AR = use ase required - = Non illustrated part

**Speed Control
Figure 14-1010**

ITEM	PART NUMBER	QTY	LINE	SERIES	BODY	ENGINE	TRANS	TRIM	DESCRIPTION
1	06104382AA	1				EK0, EV0			SCREW AND CONED WASHER, Hex Head, M6x1x60
2	04669979	1				EK0, EV0			SERVO, Speed Control
3	52124035AC	1				EK0, EV0			BRACKET, Speed Control Servo
4	06506087AA	1				EK0, EV0			CLIP, Brake Line
5	06506087AA	1							SCREW, M5.28X1.81X15.0, (NOT SERVICED)
6	52090376AB	1				EK0, EV0			RESERVOIR, Speed Control Vacuum
7	52109653AD	1				EK0, EV0			CABLE, Accelerator
8	52109775AC	1				EK0, EV0			CABLE, Speed Control
9	06502493	2				EK0, EV0			NUT, Hex Flange Serration, M6x1
10	06025867	1				EK0, EV0			CLIP, Cable to Servo Attach



NEW JEEP (XK)

SERIES LINE
H = HIGHLINE T = JEEP - 2WD
P = PREMIUM J = JEEP - 4WD

BODY
74 = SPORT UTILITY 4-DR

ENGINE
EKG = 3.7L V6 Engine
EVA = 4.7L V8 MPI Engine
EZB = 5.7L Hemi Multi Displacement Engine

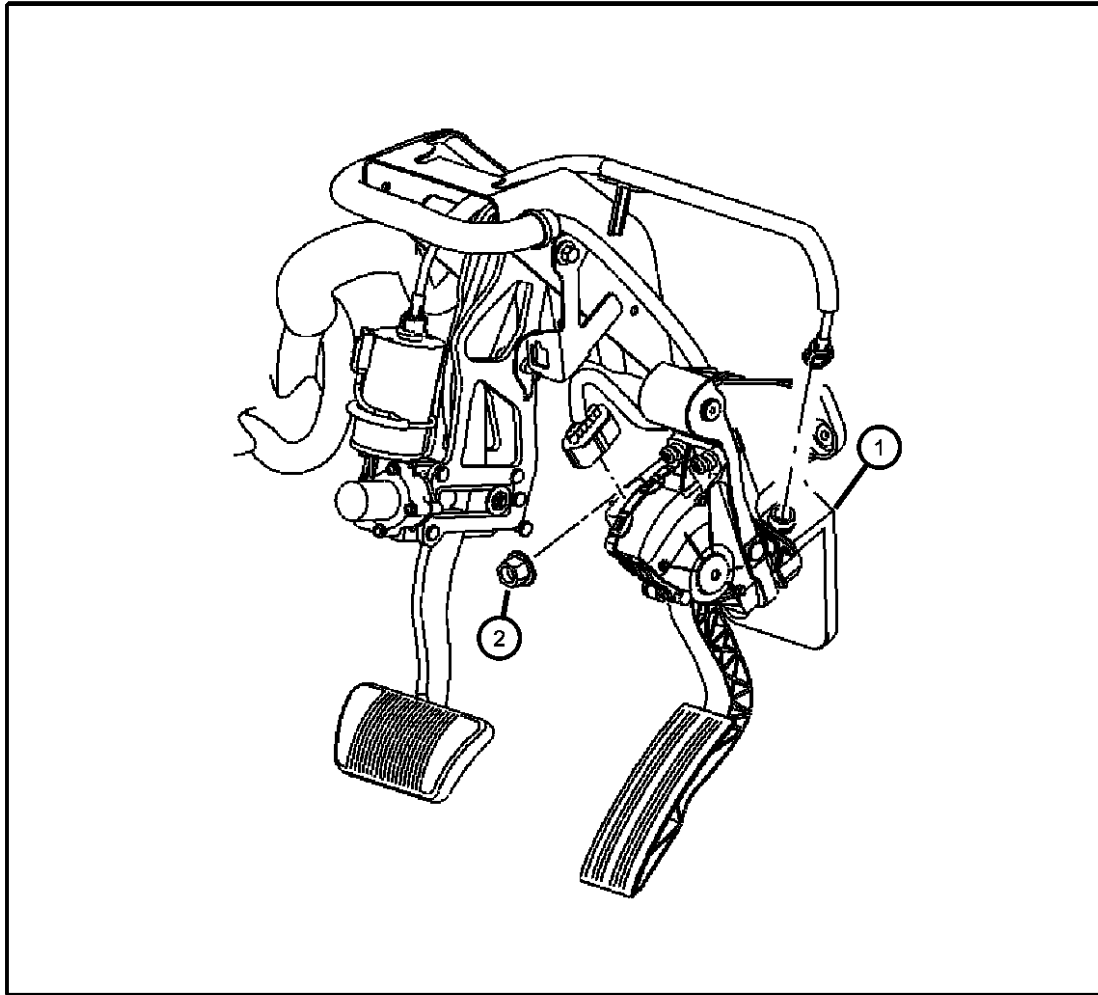
TRANSMISSION
DGQ = 5-Spd Automatic 5-45RFE Transmission
DGJ = 5-Speed Automatic MB Transmission

AR = use ase required - = Non illustrated part

2006 XK

**Pedal Brake, Power Adjustable
Figure 14-1110**

ITEM	PART NUMBER	QTY	LINE	SERIES	BODY	ENGINE	TRANS	TRIM	DESCRIPTION
1									PEDAL, Accelerator
	52109654AC	1				EK0, EV0			NON ADJUSTABLE PEDALS
	52109683AC	1				EZ0			NON ADJUSTABLE PEDALS
	52109759AC	1				EK0, EV0			POWER ADJUSTABLE PEDALS W/MEMO
	52109760AC	1				EZ0			POWER ADJUSTABLE PEDALS W/MEMO
2	06502726	2							NUT



NEW JEEP (XK)

SERIES LINE
H = HIGHLINE T = JEEP - 2WD
P = PREMIUM J = JEEP - 4WD

BODY
74 = SPORT UTILITY 4-DR

ENGINE
EKG = 3.7L V6 Engine
EVA = 4.7L V8 MPI Engine
EZB = 5.7L Hemi Multi
Displacement Engine

TRANSMISSION
DGQ = 5-Spd Automatic 5-45RFE
Transmission
DGJ = 5-Speed Automatic MB
Transmission

AR = use ase required - = Non illustrated part

2006 XK

Group - 16

Propeller Shafts and U-Joints

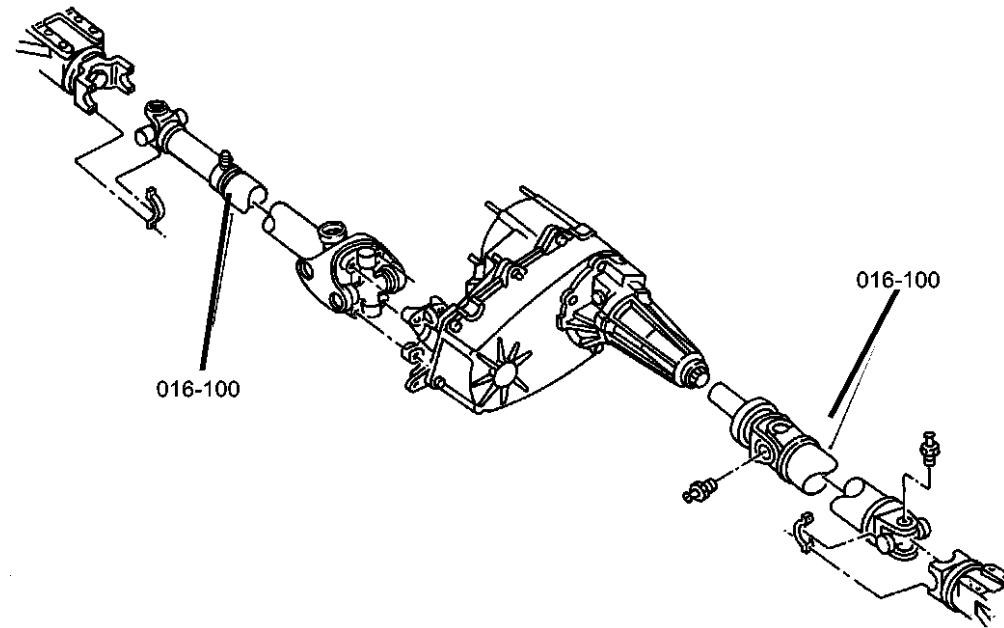
Group - 16 Propeller Shafts and U-Joints

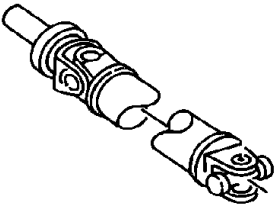
Illustration Title

Group-Fig. No.

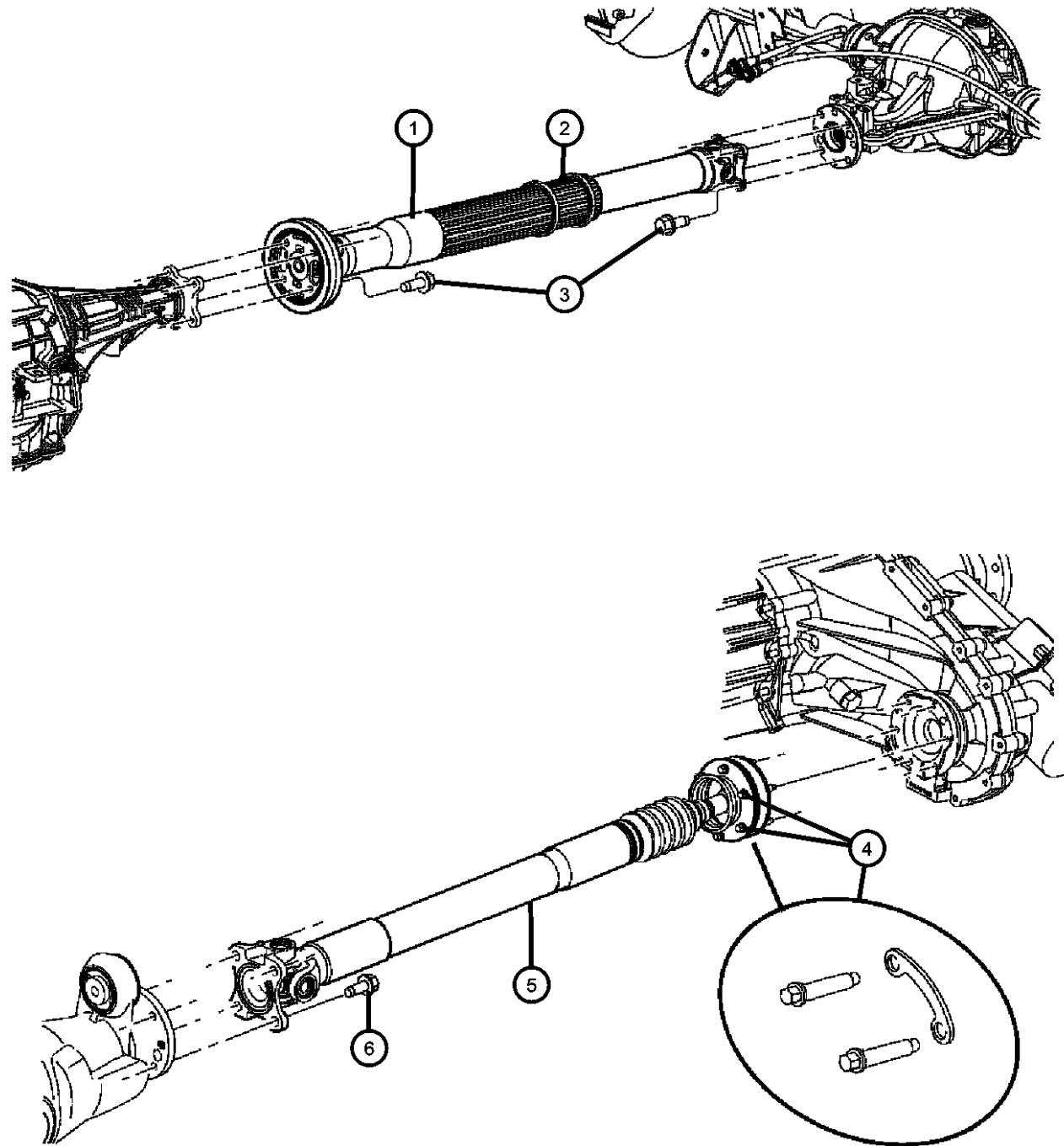
Propeller Shaft

Propeller Shafts, Front and Rear Fig. 16 - 110



<p>016-100 Propeller Shaft</p> 			
------------------------------------------------------------------------------------------------------------------------------	--	--	--

Propeller Shafts, Front and Rear
Figure 16-110



ITEM	PART NUMBER	QTY	LINE	SERIES	BODY	ENGINE	TRANS	TRIM	DESCRIPTION
Note: Sales Codes; [DHB]=Quadra-Trac Active On Demand 4WD [DHX]=Quadra-Trac II Full-Time Active 4WD [DHZ]=Quadra-Trac I Full-Time 4WD [DRK]=Dana 44/226MM Rear Axle [DRX]=213MM Rear Axle									
1									SHAFT, Drive, Rear 1-Piece
	52105726AE	1	T			EVO	DG0		
	52105760AE	1	J			EVO, EZ0	DGQ		[DHX]
		1	J			EK0	DG0		[DHX]
	52853004AE	1	T			EK0	DGJ		[DRS]
	52853006AE	1	J			EK0	DGJ		[DHZ,DRS]
	52853433AA	1	T			EZO	DG0		
2	52853433AA	1							BOOT KIT, Drive Shaft, (NOT SERVICED)
3	06506497AA	8							BOLT, Hex Head, M12, Rear Drive Shaft to Rear Axle and Transfer Case, Mounting
4	05015109AA	3	J			EK0	DG0		BOLT AND WASHER, Front Drive Shaft to Transfer Case, Mounting
5									SHAFT, Drive, Front
	52105728AD	1	J			EVO, EZ0	DG0		[DHX]
		1	J			EK0	DG0		[DHX]
	52105758AD	1	J			EK0	DG0		[DHZ]
6	06506497AA	4	J						BOLT, Hex Head, M12, Front Drive Shaft to Front Axle, Mounting

NEW JEEP (XK)

SERIES LINE
H = HIGHLINE T = JEEP - 2WD
P = PREMIUM J = JEEP - 4WD

BODY
74 = SPORT UTILITY 4-DR

ENGINE
EKG = 3.7L V6 Engine
EVA = 4.7L V8 MPI Engine
EZB = 5.7L Hemi Multi Displacement Engine

TRANSMISSION
DGQ = 5-Spd Automatic 5-45RFE Transmission
DGJ = 5-Speed Automatic MB Transmission

AR = use ase required - = Non illustrated part

2006 XK

Group - 17

Rear Suspension

Group - 17 Rear Suspension

Group-Fig. No.

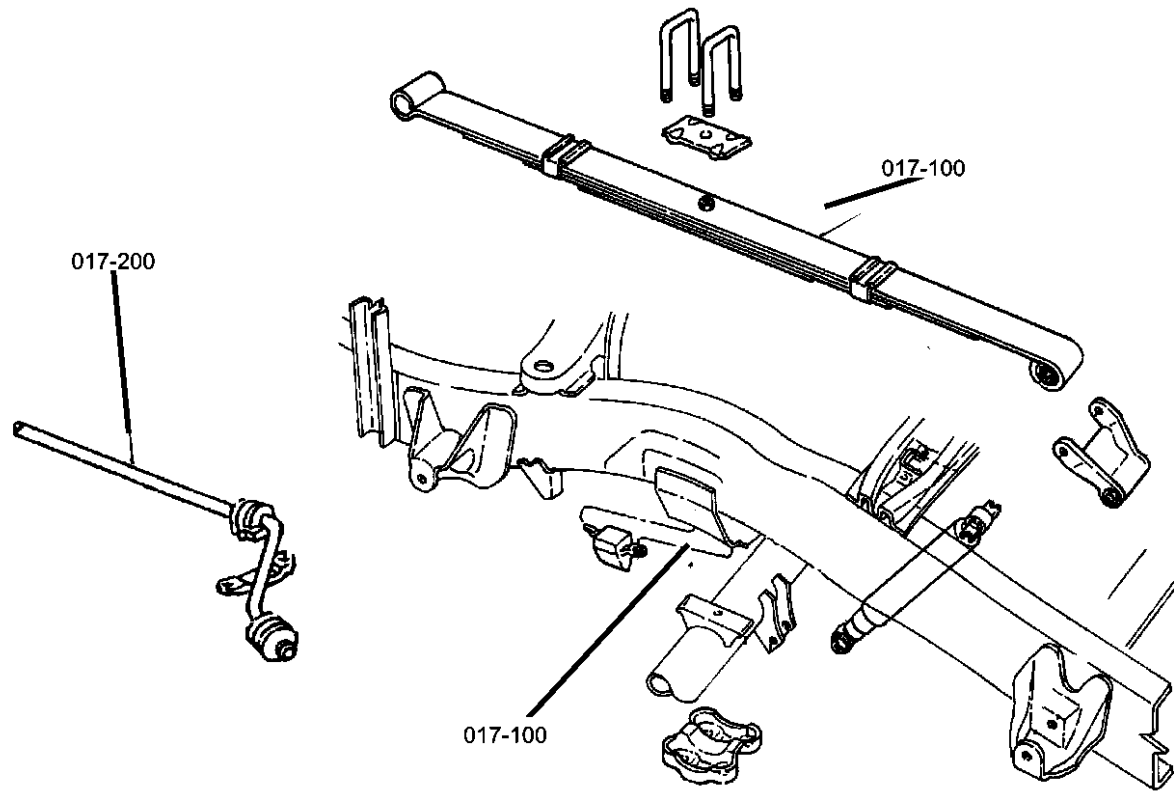
Illustration Title

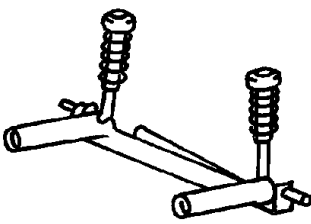
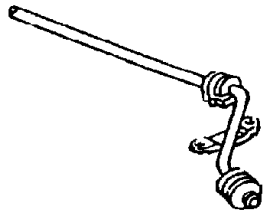
Rear Suspension

Rear Coil Springs Control Arms And Shocks Fig. 17 - 110
 Rear Suspension Cradle and Track Bar Fig. 17 - 120

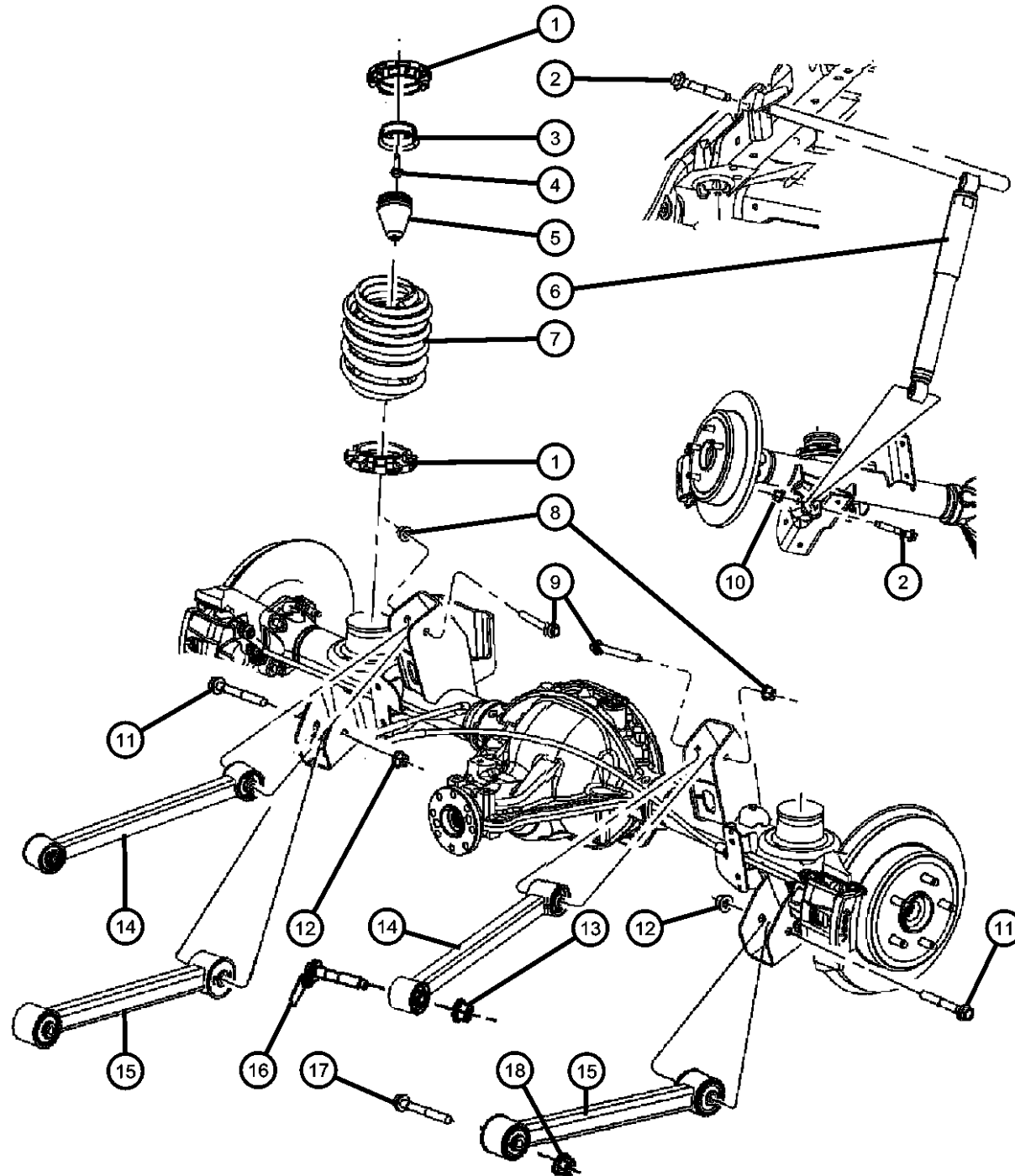
Rear Stabilizer

Stabilizer Bar,Rear Fig. 17 - 210



<p>017-100 Rear Suspension</p> 	<p>017-200 Rear Stabilizer</p> 		
------------------------------------------------------------------------------------------------------------------------------	-------------------------------------------------------------------------------------------------------------------------------	--	--

Rear Coil Springs Control Arms And Shocks Figure 17-110



ITEM	PART NUMBER	QTY	LINE	SERIES	BODY	ENGINE	TRANS	TRIM	DESCRIPTION
------	-------------	-----	------	--------	------	--------	-------	------	-------------

Note: Sales Codes;
 [SDA]=Normal Duty Suspension
 [SDX]=High Performance Suspension
 [SNA]=Dynamic Handling System

1	52089341AD	4							ISOLATOR, Spring
2									SCREW, Hex Flange Head, M12x1.75x80
	06506147AA	2							Rear Shock To Body, Mounting
		2							Rear Shock To Axle, Mounting
3	52089977AA	2							CUP, Jounce Bumper
4	06101838	2							SCREW, Hex Head, Jounce Bumper to Rail, Mounting
5	52089343AA	2							BUMPER, Jounce
6	52090247AH	2	J, T		74				SHOCK ABSORBER, Suspension, Rear
7									SPRING, Suspension, Rear
	52124209AA	1							[ZBR,ZPR]
	52124210AA	1							[ZBS,ZPS]
	52124211AA	1							[ZBT,ZPT]
	52124213AA	1							[ZBV,ZPV]
	52124214AA	1							[ZBW,ZPW]
	52124212AA	1							[ZBU,ZPU]
	52124215AA	1							[ZBX,ZPX]
	52124216AA	1							[ZBY,ZPY]
8	06502697	2							NUT, Hex Flange Lock, M12x1.75, UCA to Axle, Mounting
9	06502725	2							BOLT, Hex Flange, M12x1.75x90
10	06502725	2							NUT, Purchase Axle Assembly, (NOT SERVICED)
11	06507620AA	2							SCREW, LCA to Axle, Mounting
12	06502698	2							NUT, Hex Flange Lock, LCA to Axle, Mounting
13									NUT, Hex Flange Lock, M12x1.75
	06502697	1							UCA to Body Mounting, Left
		1							UCA to Body Mounting, Right
14	52089629AC	2							ARM, Upper Control, Rear
15	52089630AC	2							ARM, Lower Control, Rear
16									SCREW
	06508216AA	1							UCA to Body Mounting, Left

NEW JEEP (XK)

SERIES LINE
 H = HIGHLINE T = JEEP - 2WD
 P = PREMIUM J = JEEP - 4WD

BODY
 74 = SPORT UTILITY 4-DR

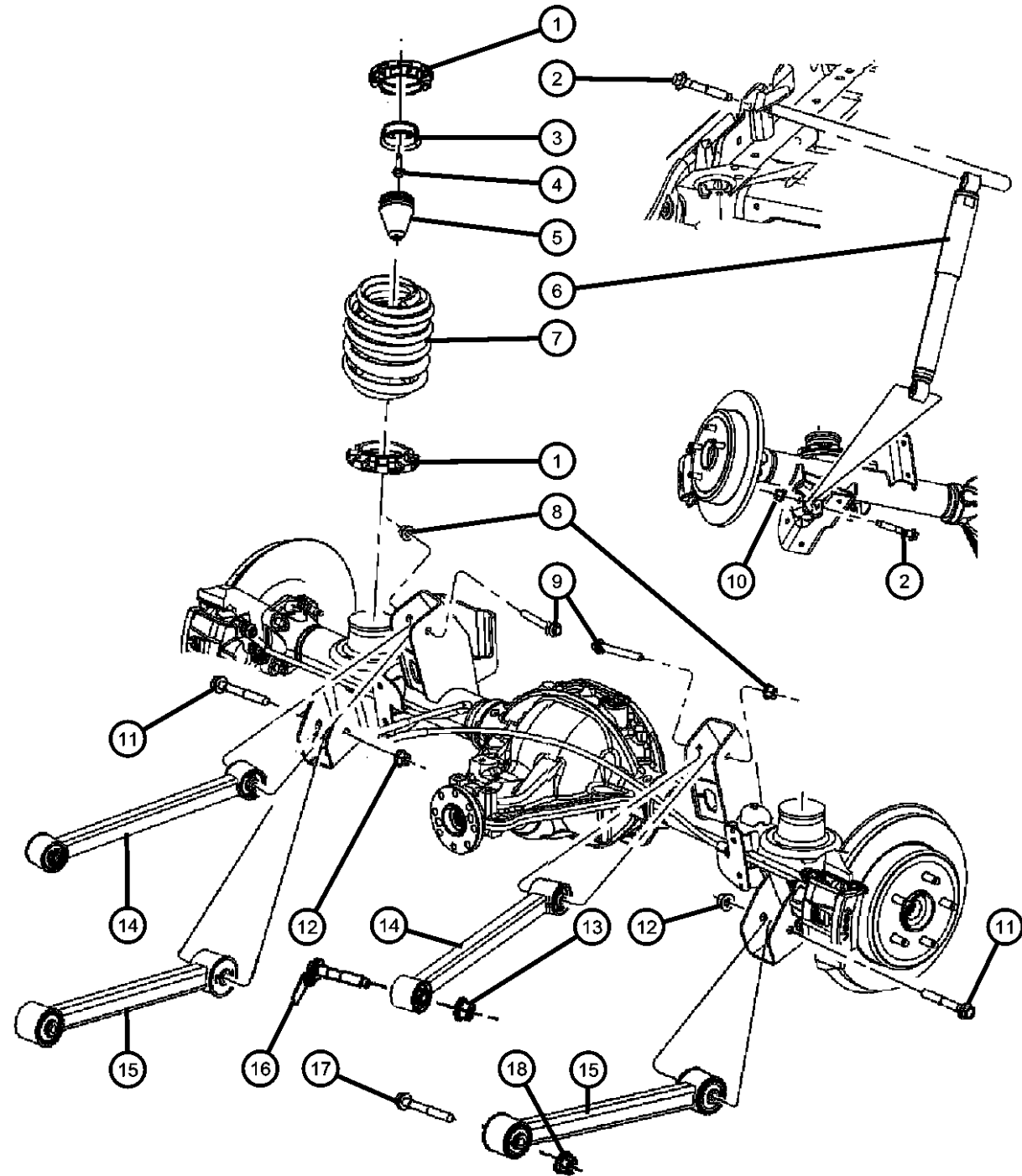
ENGINE
 EKG = 3.7L V6 Engine
 EVA = 4.7L V8 MPI Engine
 EZB = 5.7L Hemi Multi Displacement Engine

TRANSMISSION
 DGQ = 5-Spd Automatic 5-45RFE Transmission
 DGJ = 5-Speed Automatic MB Transmission

AR = use ase required - = Non illustrated part

2006 XK

Rear Coil Springs Control Arms And Shocks
Figure 17-110



ITEM	PART NUMBER	QTY	LINE	SERIES	BODY	ENGINE	TRANS	TRIM	DESCRIPTION
------	-------------	-----	------	--------	------	--------	-------	------	-------------

		1							UCA to Body Mounting, Right
17	06507971AA	2							SCREW, LCA to Body, Mounting
18	06502698	2							NUT, Hex Flange Lock, LCA to Body, Mounting

NEW JEEP (XK)

SERIES	LINE
H = HIGHLINE	T = JEEP - 2WD
P = PREMIUM	J = JEEP - 4WD

BODY
74 = SPORT UTILITY 4-DR

ENGINE
EKG = 3.7L V6 Engine
EVA = 4.7L V8 MPI Engine
EZB = 5.7L Hemi Multi Displacement Engine

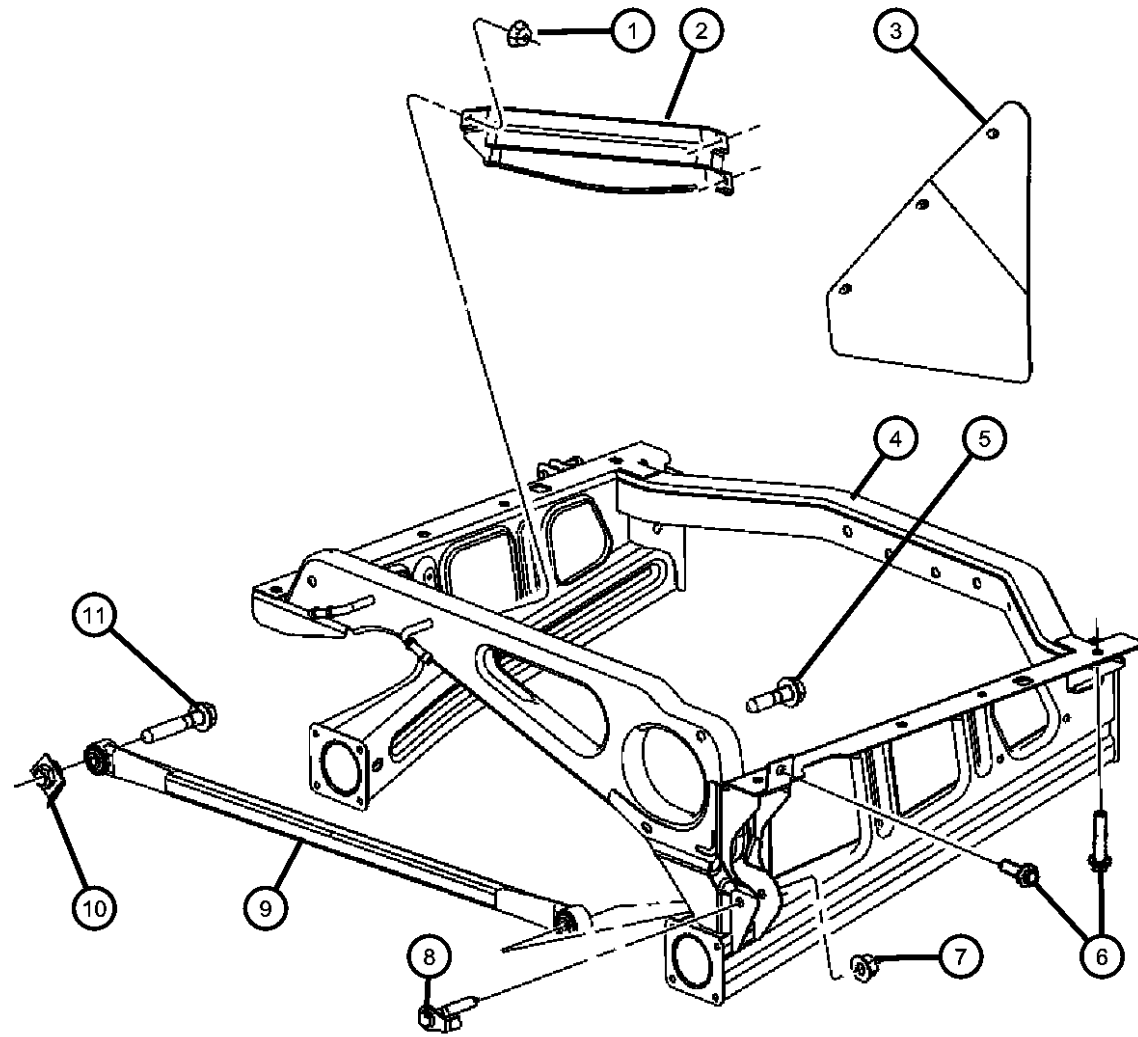
TRANSMISSION
DGQ = 5-Spd Automatic 5-45RFE Transmission
DGJ = 5-Speed Automatic MB Transmission

AR = use ase required - = Non illustrated part

2006 XK

**Rear Suspension Cradle and Track Bar
Figure 17-120**

ITEM	PART NUMBER	QTY	LINE	SERIES	BODY	ENGINE	TRANS	TRIM	DESCRIPTION
1	06101831	3							NUT, Hex Flange, M8x1.25, Spare Tire Heat Shield to Rear Suspension Cradle, Mounting SHIELD, Spare Tire
2	52090420AE	1							SHIELD, Spare Tire, [AHT,AHX] Use With Item 2
3	52124516AA	1	J, T		74	EV0, EZ0			CRADLE, Rear Suspension
4	52090278AJ	1							SCREW, Rear Suspension Cradle to Rail Brackets, Mounting
5	06507231AA	2							BOLT, Rear Suspension Cradle to Rails, Mounting
6	06508267AA	9							NUT, Hex Flange Lock, Track Bar to Body, Mounting
7	06502698	1							BOLT, Track Bar to Body, Mounting
8	06508079AA	1							TRACK BAR, Rear
9	52089605AD	1							NUT AND RETAINER, Hex Flange Locking, M14 x 2.00, TRACK BAR TO AXLE
10	06508132AA	1							BOLT, Hex Flange Head, M14x2.00x80.00, Track Bar to Axle, Mounting
11	06502818	1							



NEW JEEP (XK)

SERIES LINE
H = HIGHLINE T = JEEP - 2WD
P = PREMIUM J = JEEP - 4WD

BODY
74 = SPORT UTILITY 4-DR

ENGINE
EKG = 3.7L V6 Engine
EVA = 4.7L V8 MPI Engine
EZB = 5.7L Hemi Multi Displacement Engine

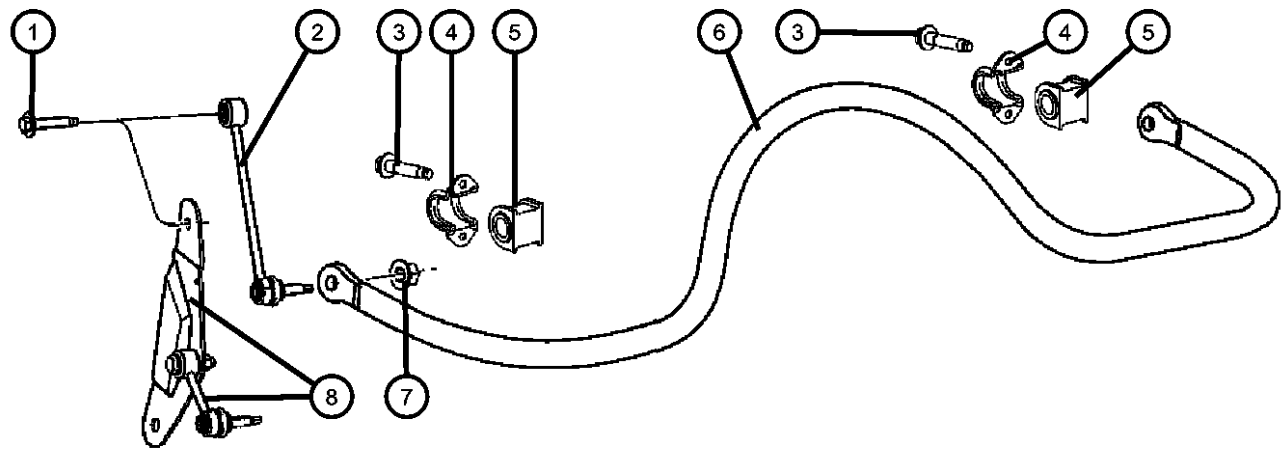
TRANSMISSION
DGQ = 5-Spd Automatic 5-45RFE Transmission
DGJ = 5-Speed Automatic MB Transmission

AR = use ase required - = Non illustrated part

2006 XK

**Stabilizer Bar,Rear
Figure 17-210**

ITEM	PART NUMBER	QTY	LINE	SERIES	BODY	ENGINE	TRANS	TRIM	DESCRIPTION
1	06101984	2							BOLT, Sway Bar Link to Sill Bracket, Mounting
2	52089486AC	2							LINK, Sway Eliminator, [SDA]
3	06508505AA	4							SCREW AND WASHER, Hex Head, M10x1.50x35, Sway Bar Retainer to Axle
4	52090271AA	2							RETAINER, Stabilizer Bar Grommet
5	52124302AA	2							BUSHING, Stabilizer Bar
6	52124303AA	1							STABILIZER BAR, Rear Suspension
7	06502835	2							NUT, Hex Flange, M12x1.75, End Link to Sway Bar, Mounting
8	06502835	2							LINK, Sway Eliminator, (NOT REQUIRED)



NEW JEEP (XK)

SERIES LINE
H = HIGHLINE T = JEEP - 2WD
P = PREMIUM J = JEEP - 4WD

BODY
74 = SPORT UTILITY 4-DR

ENGINE
EKG = 3.7L V6 Engine
EVA = 4.7L V8 MPI Engine
EZB = 5.7L Hemi Multi Displacement Engine

TRANSMISSION
DGQ = 5-Spd Automatic 5-45RFE Transmission
DGJ = 5-Speed Automatic MB Transmission

AR = use ase required - = Non illustrated part

2006 XK

Group - 19

Steering

Group - 19 Steering

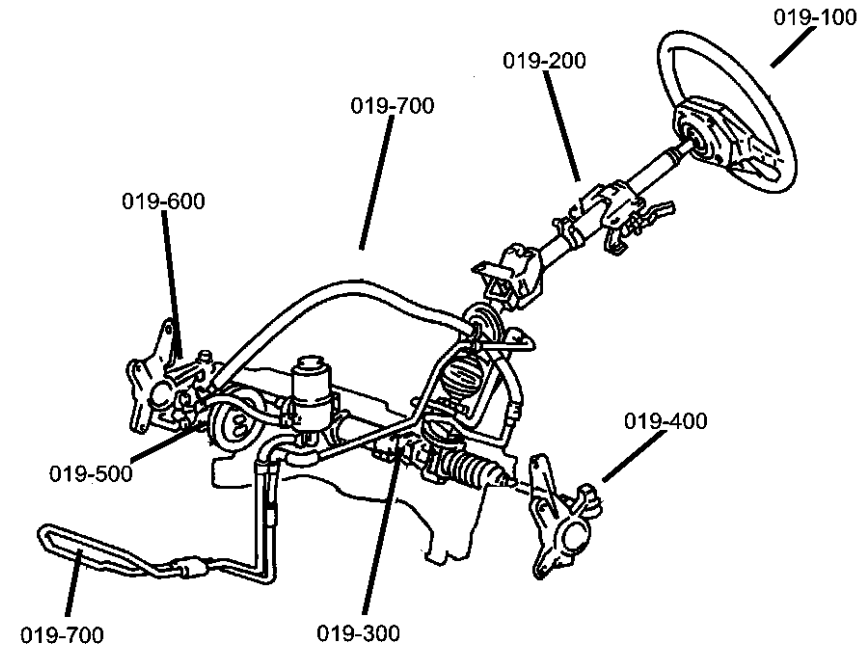


Illustration Title

Group-Fig. No.

Steering Wheel

Steering Wheel Assembly Fig. 19 - 110

Steering Column

Steering Column Assy Fig. 19 - 210

Steering Gear

Gear Rack & Pinion Power Steering Fig. 19 - 310

Steering Linkage

Steering Linkage Fig. 19 - 410

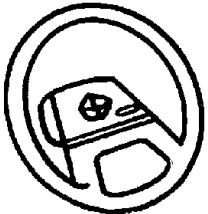
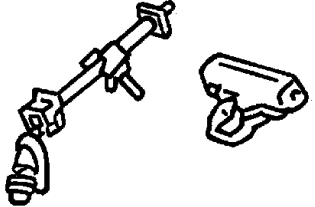
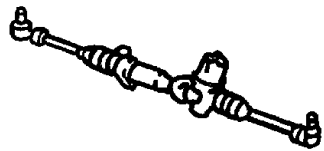
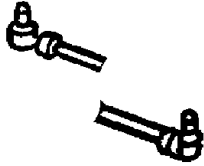
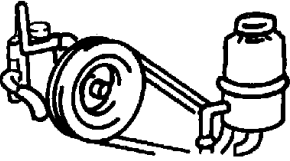
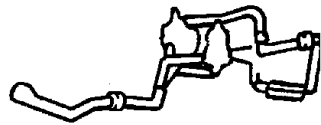
Power Steering Pump

Power Steering Pump Fig. 19 - 510

Power Steering Hoses

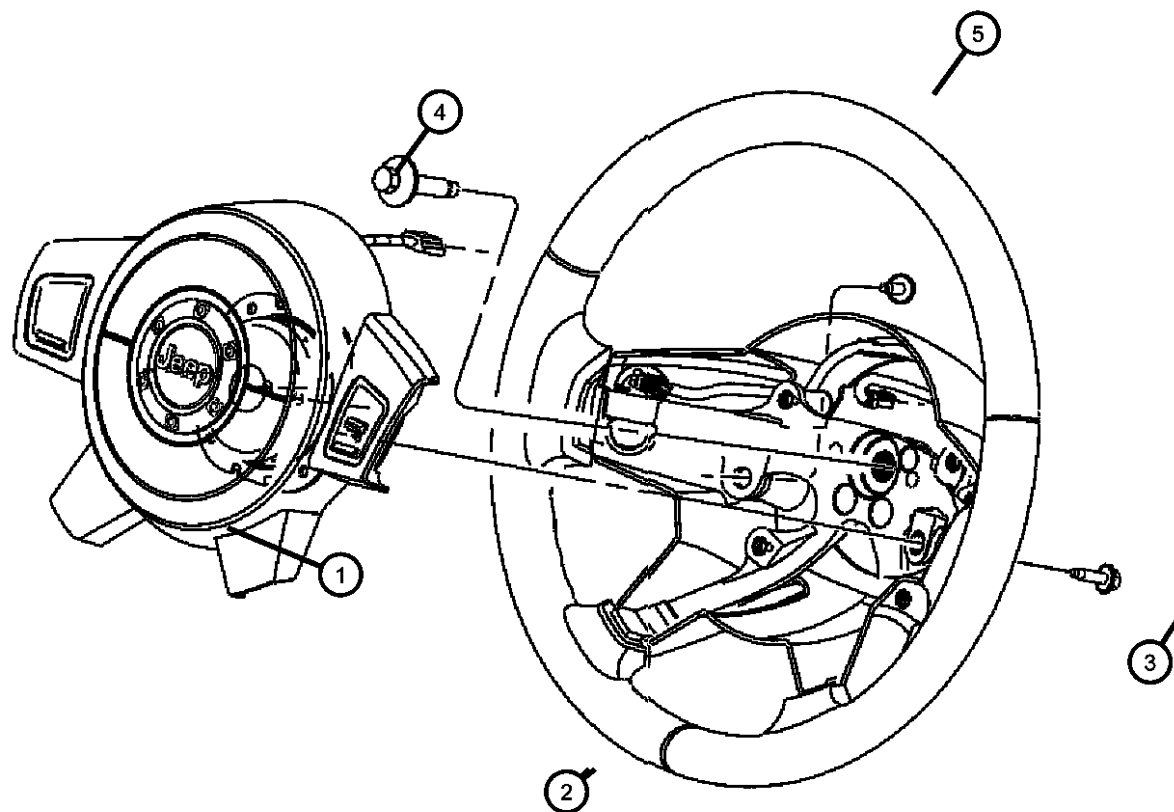
Power Steering Hose 3.7L [EK0] 4.7L [EV0] Fig. 19 - 710

Power Steering Hose 5.7L [EZ0] Fig. 19 - 720

<p>019-100 Steering Wheel</p> 	<p>019-200 Steering Column</p> 	<p>019-300 Steering Gear</p> 	<p>019-400 Steering Linkage</p> 
<p>019-500 Power Steering Pump</p> 	<p>019-700 Power Steering Hoses</p> 		

**Steering Wheel Assembly
Figure 19-110**

ITEM	PART NUMBER	QTY	LINE	SERIES	BODY	ENGINE	TRANS	TRIM	DESCRIPTION
1	1CJ841J8AA	1							COVER, Air Bag Module [J1]
	1CJ841DVAA	1							[D1]
2	5JZ04XDVAB	1							WHEEL, Steering [D5]
	5JZ04ZJ8AB	1							[J3]
3	06507294AA	2							SCREW, Air Bag Module to Steering Wheel
4	06505656AA	1							SCREW, Hex Flange Head, M10x1.5x35.
5	5JZ05XDVAD	1							WHEEL, Steering, Leather DK. SLATE GRAY
	5JZ05ZJ8AD	1							DK. KHAKI



NEW JEEP (XK)

SERIES LINE
H = HIGHLINE T = JEEP - 2WD
P = PREMIUM J = JEEP - 4WD

BODY
74 = SPORT UTILITY 4-DR

ENGINE
EKG = 3.7L V6 Engine
EVA = 4.7L V8 MPI Engine
EZB = 5.7L Hemi Multi
Displacement Engine

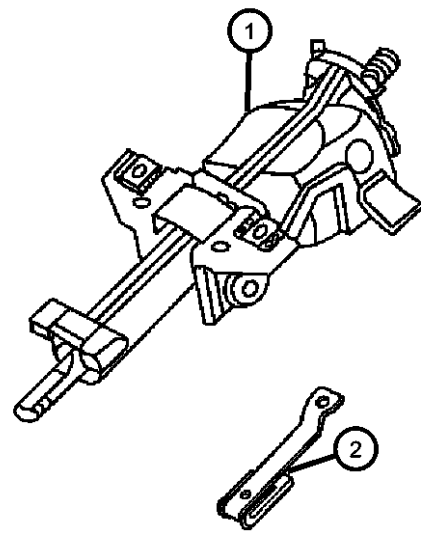
TRANSMISSION
DGQ = 5-Spd Automatic 5-45RFE
Transmission
DGJ = 5-Speed Automatic MB
Transmission

AR = use ase required - = Non illustrated part

2006 XK

**Steering Column Assy
Figure 19-210**

ITEM	PART NUMBER	QTY	LINE	SERIES	BODY	ENGINE	TRANS	TRIM	DESCRIPTION
1	05057151AD	1							COLUMN, Steering, Tilt
2	55315087AB	1							BRACKET, Steering Column
-3	06504030	1							NUT AND WASHER, Hex, M6x1
-4									SHROUD, Steering Column
	5KB11XDVAD	1							DK. SLATE GRAY
	5KB11ZJ8AD	1							DK. KHAKI



NEW JEEP (XK)

SERIES	LINE
H = HIGHLINE	T = JEEP - 2WD
P = PREMIUM	J = JEEP - 4WD

BODY
74 = SPORT UTILITY 4-DR

ENGINE
EKG = 3.7L V6 Engine
EVA = 4.7L V8 MPI Engine
EZB = 5.7L Hemi Multi Displacement Engine

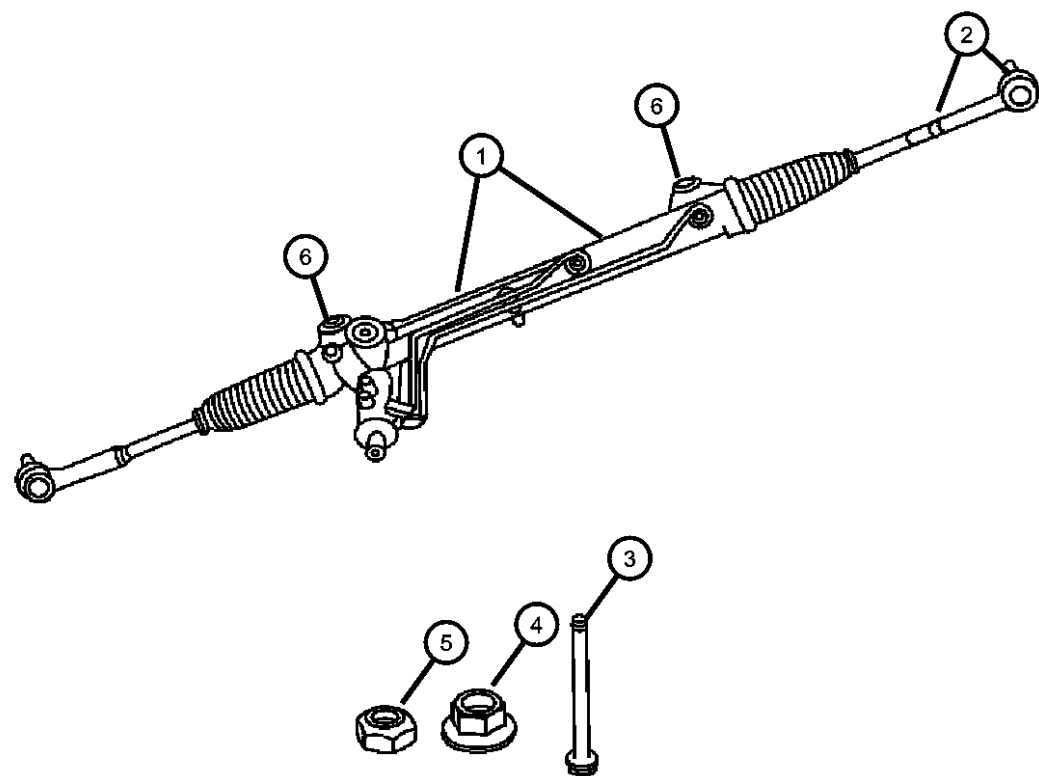
TRANSMISSION
DGQ = 5-Spd Automatic 5-45RFE Transmission
DGJ = 5-Speed Automatic MB Transmission

AR = use ase required - = Non illustrated part

2006 XK

**Gear Rack & Pinion Power Steering
Figure 19-310**

ITEM	PART NUMBER	QTY	LINE	SERIES	BODY	ENGINE	TRANS	TRIM	DESCRIPTION
1	52090488AC	1							GEAR, Power Steering
2									END PACKAGE, Tie Rod
	05143555AB	1							Left, Outer
	05143556AB	1							Right, Outer
3	06507661AA	2							SCREW, Hex Flange Head
4	06505623AA	2							NUT AND WASHER
5	06507706AA	2							NUT, Power Steering Gear
6	52089312AA	2							BUSHING, Steering Gear



NEW JEEP (XK)

SERIES LINE
H = HIGHLINE T = JEEP - 2WD
P = PREMIUM J = JEEP - 4WD

BODY
74 = SPORT UTILITY 4-DR

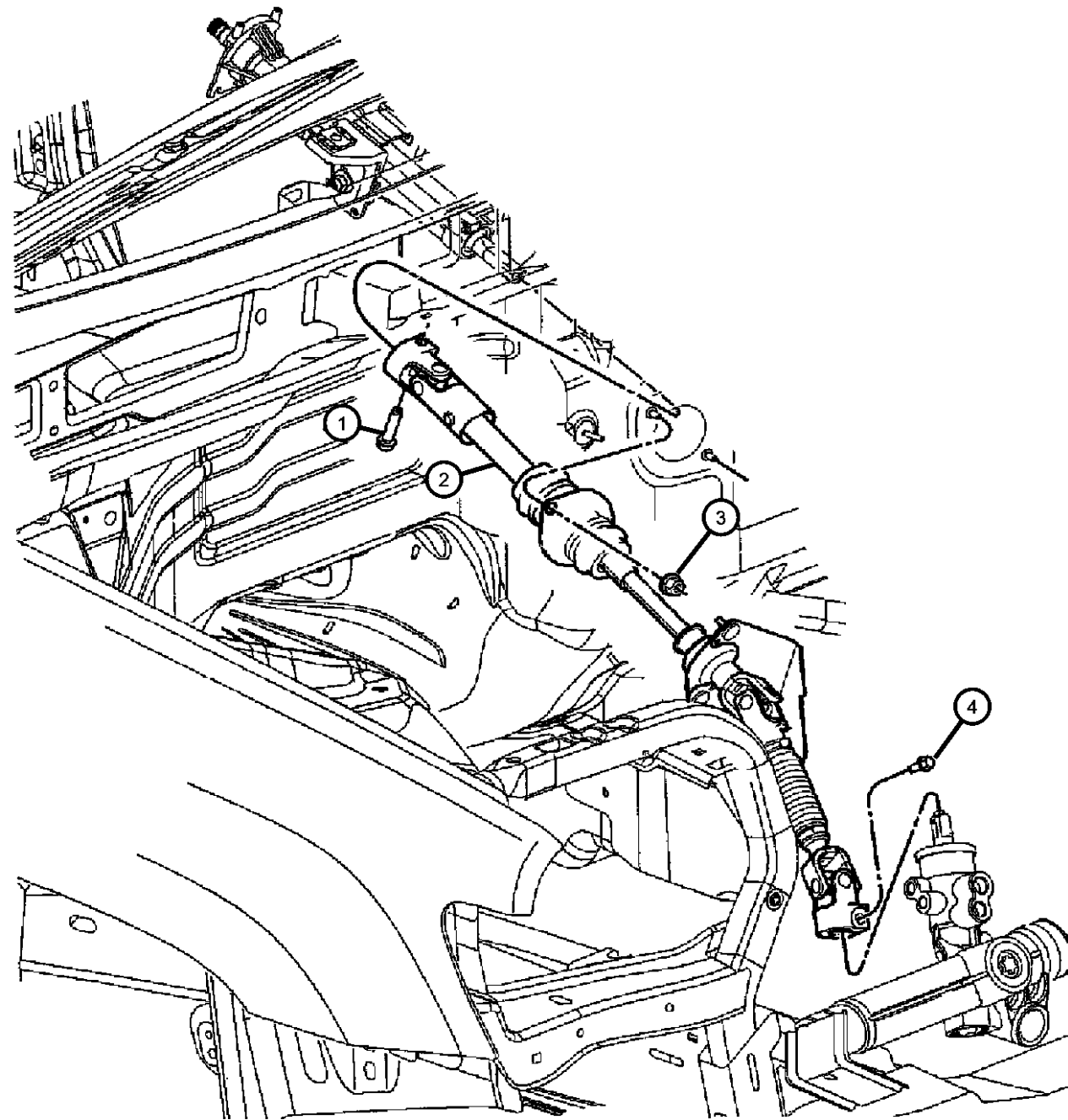
ENGINE
EKG = 3.7L V6 Engine
EVA = 4.7L V8 MPI Engine
EZB = 5.7L Hemi Multi
Displacement Engine

TRANSMISSION
DGQ = 5-Spd Automatic 5-45RFE
Transmission
DGJ = 5-Speed Automatic MB
Transmission

AR = use ase required - = Non illustrated part

2006 XK

Steering Linkage
Figure 19-410



ITEM	PART NUMBER	QTY	LINE	SERIES	BODY	ENGINE	TRANS	TRIM	DESCRIPTION
1	06504926AA	1							SCREW, Hex Flange Head, M10x1.5x40
2	55197266AA	1							SHAFT, Intermediate
3	05096978AA	2							NUT, Hex, M6
4	06504926AA	1							SCREW, Hex Flange Head, M10x1.5x40

NEW JEEP (XK)

SERIES LINE
H = HIGHLINE T = JEEP - 2WD
P = PREMIUM J = JEEP - 4WD

BODY
74 = SPORT UTILITY 4-DR

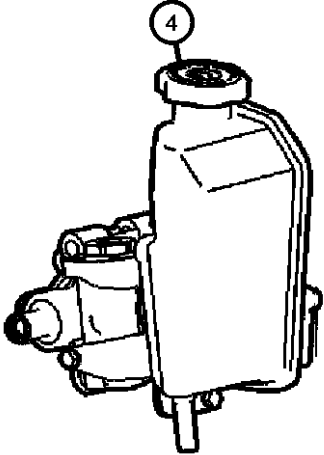
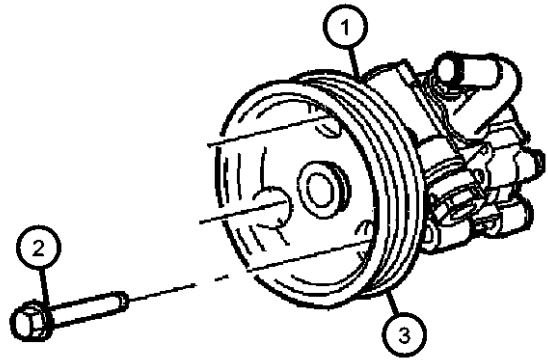
ENGINE
EKG = 3.7L V6 Engine
EVA = 4.7L V8 MPI Engine
EZB = 5.7L Hemi Multi Displacement Engine

TRANSMISSION
DGQ = 5-Spd Automatic 5-45RFE Transmission
DGJ = 5-Speed Automatic MB Transmission

AR = use ase required - = Non illustrated part

2006 XK

**Power Steering Pump
Figure 19-510**



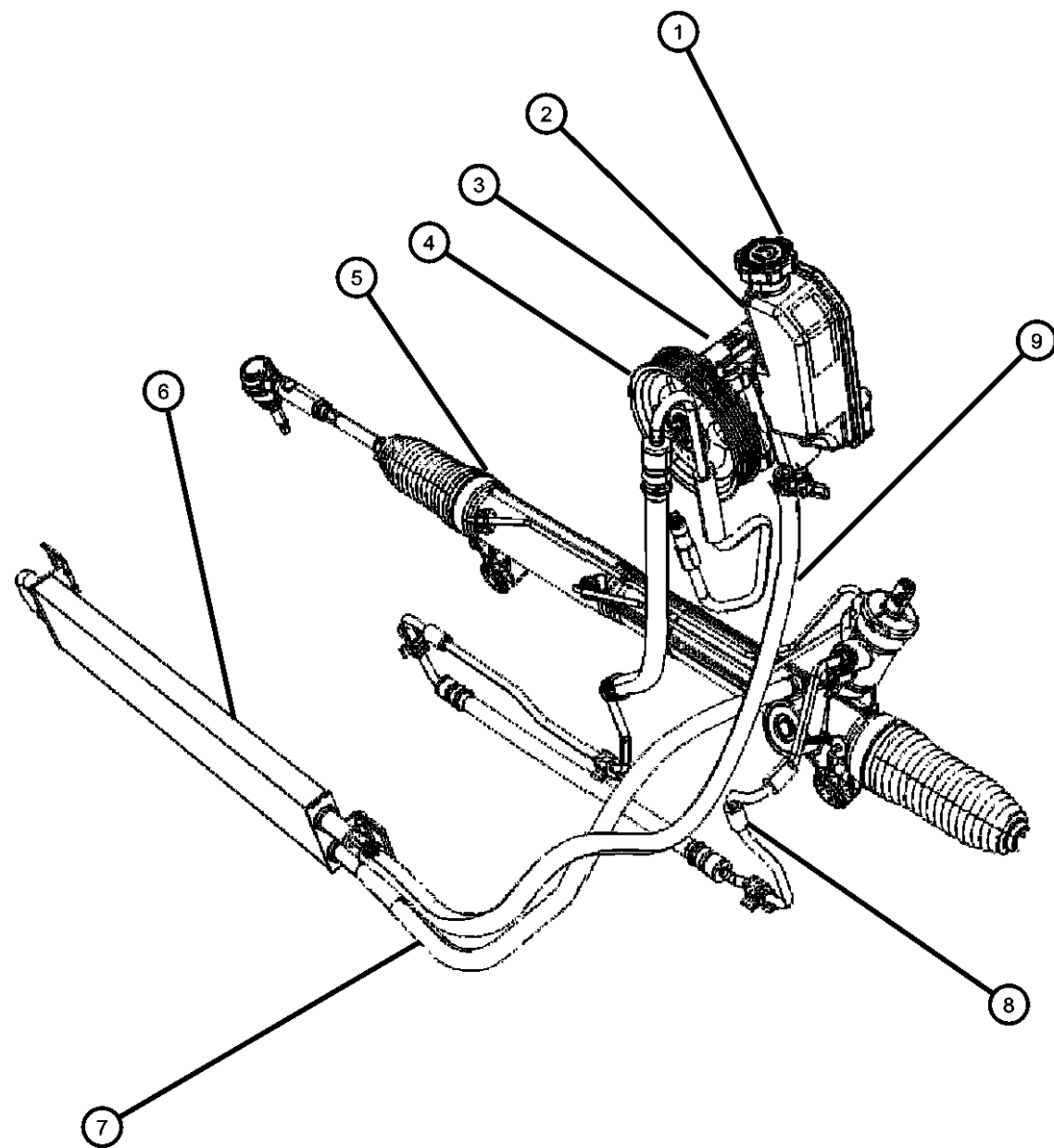
ITEM	PART NUMBER	QTY	LINE	SERIES	BODY	ENGINE	TRANS	TRIM	DESCRIPTION
1	52089339AC 05142893AA	1				EK0, EVO			PUMP ASSEMBLY, Power Steering with Pulley
	52089883AC	1				EZ0			Mopar Special Hydraulic System/Power Steering Fluid 1qt
2	06102045AA	3				EK0			SCREW AND WASHER, Hex Head
		3				EVO			
	06102184AA	3				EZ0			
3	53013677AB 53013688AB	1 1				EZ0 EK0, EVO			PULLEY, Power Steering Pump
4	05143614AA	1				EK0, EVO			CAP, Power Steering Reservoir
		1				EZ0	DG0		

NEW JEEP (XK)

SERIES	LINE	BODY	ENGINE	TRANSMISSION
H = HIGHLINE	T = JEEP - 2WD	74 = SPORT UTILITY 4-DR	EKG = 3.7L V6 Engine	DGQ = 5-Spd Automatic 5-45RFE Transmission
P = PREMIUM	J = JEEP - 4WD		EVA = 4.7L V8 MPI Engine	DGJ = 5-Speed Automatic MB Transmission
			EZB = 5.7L Hemi Multi Displacement Engine	

AR = use ase required - = Non illustrated part

**Power Steering Hose 3.7L [EK0] 4.7L [EV0]
Figure 19-710**



ITEM	PART NUMBER	QTY	LINE	SERIES	BODY	ENGINE	TRANS	TRIM	DESCRIPTION
1	05143614AA	1				EK0, EV0			CAP, Power Steering Reservoir
2	05143614AA	1							RESERVOIR, Power Steering Fluid, Serviced with Pump, (NOT SERVICED)
3	52089339AC 05142893AA	1				EK0, EV0			PUMP ASSEMBLY, Power Steering with Pulley Mopar Special Hydraulic System/Power Steering Fluid 1qt
4	53013688AB	1				EK0, EV0			PULLEY, Power Steering Pump
5	52090488AC	1							GEAR, Power Steering
6	52090052AB	1				EK0, EV0	DG0		COOLER, Power Steering
7	52089865AC	1				EK0, EV0			HOSE, Power Steering Return
8	52089325AC	1	J, T		74	EK0, EV0			HOSE, Power Steering Pressure
9	52089317AC 52124131AA	1 1	J, T J, T		74 74	EK0 EV0			HOSE, Power Steering Return

NEW JEEP (XK)

SERIES LINE
H = HIGHLINE T = JEEP - 2WD
P = PREMIUM J = JEEP - 4WD

BODY
74 = SPORT UTILITY 4-DR

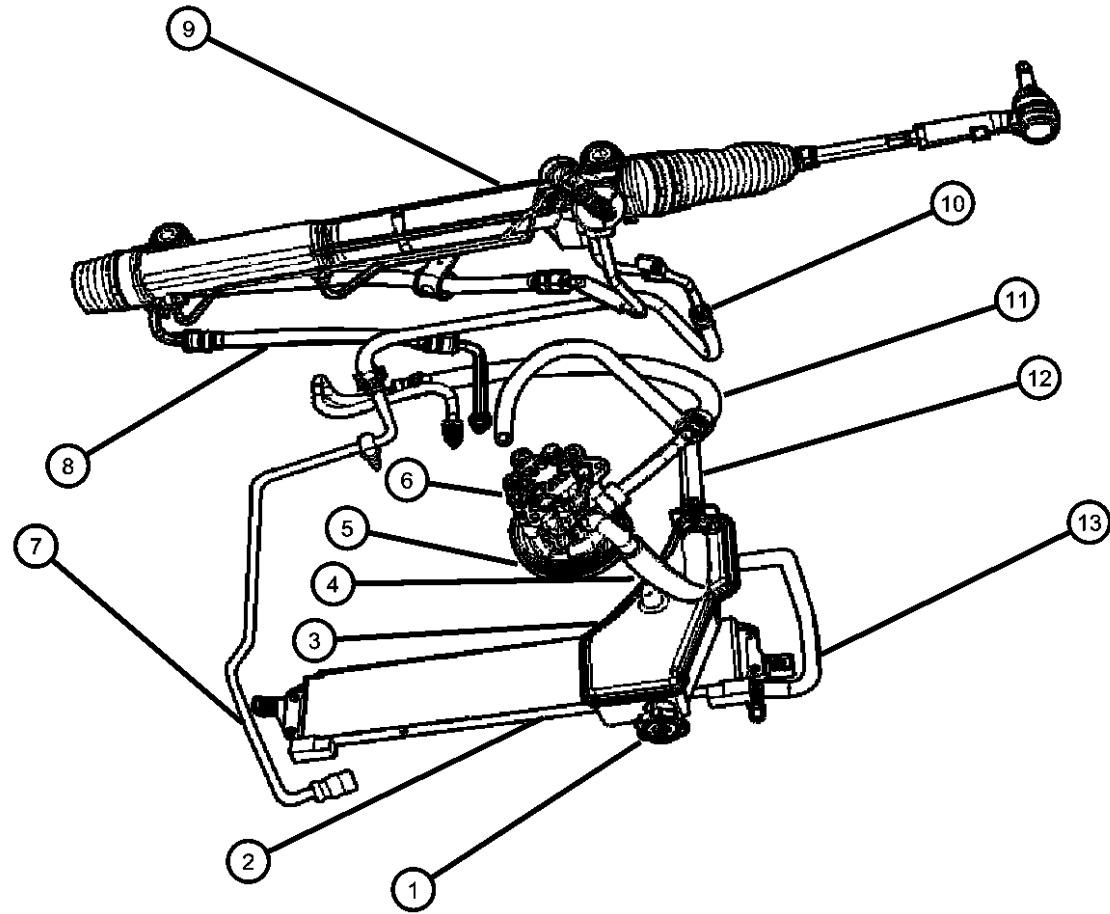
ENGINE
EKG = 3.7L V6 Engine
EVA = 4.7L V8 MPI Engine
EZB = 5.7L Hemi Multi Displacement Engine

TRANSMISSION
DGQ = 5-Spd Automatic 5-45RFE Transmission
DGJ = 5-Speed Automatic MB Transmission

AR = use ase required - = Non illustrated part

2006 XK

**Power Steering Hose 5.7L [EZ0]
Figure 19-720**



ITEM	PART NUMBER	QTY	LINE	SERIES	BODY	ENGINE	TRANS	TRIM	DESCRIPTION
1	05143614AA	1				EZ0	DG0		CAP, Power Steering Reservoir
2	55116927AA	1				EZ0	DG0		COOLER, Power Steering
3	52089905AC	1				EZ0	DG0		RESERVOIR, Power Steering Fluid
4	52089487AA	1				EZ0	DG0		HOSE, Power Steering Pressure, Pump to Reservoir
5	53013677AB	1				EZ0			PULLEY, Power Steering Pump
6	52089883AC	1				EZ0			PUMP ASSEMBLY, Power Steering with Pulley
7	05143196AA	1				EZ0	DG0		TUBE, Oil Cooler
8	52124114AA	1				EZ0			HOSE, Power Steering Pressure, Hec To Steering Gear
9	52090488AC	1							GEAR, Power Steering
10	52090121AA	1				EZ0			HOSE, Power Steering Return, Gear to cooler tube
11	52080154AA	1				EZ0	DG0		HOSE, Power Steering Pressure, HEC to Pump
12	52089641AB	1				EZ0	DG0		HOSE, Power Steering Return, Hec To Reservoir
13	52089318AA	1				EZ0	DG0		HOSE, Power Steering Return, Cooler to Reservoir

NEW JEEP (XK)

SERIES LINE
H = HIGHLINE T = JEEP - 2WD
P = PREMIUM J = JEEP - 4WD

BODY
74 = SPORT UTILITY 4-DR

ENGINE
EKG = 3.7L V6 Engine
EVA = 4.7L V8 MPI Engine
EZB = 5.7L Hemi Multi Displacement Engine

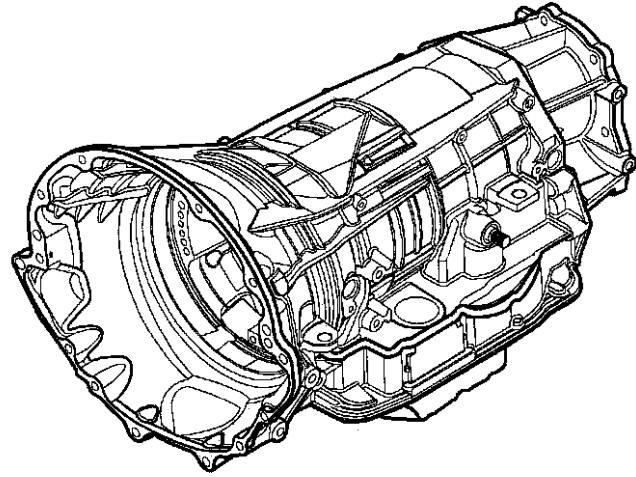
TRANSMISSION
DGQ = 5-Spd Automatic 5-45RFE Transmission
DGJ = 5-Speed Automatic MB Transmission

AR = use ase required - = Non illustrated part

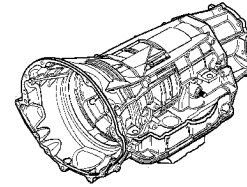
2006 XK

Group - 45RFE

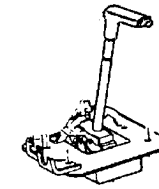
Automatic Transmission Multi-Speed



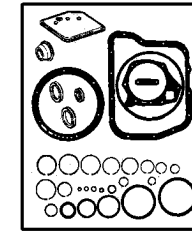
45RFE-100
Transmission Assembly



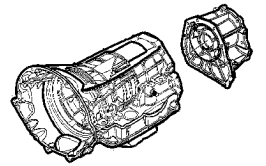
45RFE-1200
Gearshift Controls



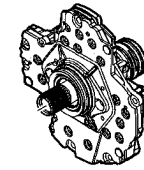
45RFE-1300
Seal and Shim Packages



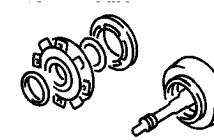
45RFE-200
Case and Extension



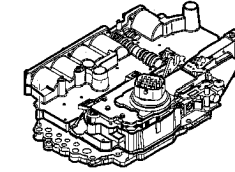
45RFE-300
Oil Pump



45RFE-400
Gear Train



45RFE-700
Valve Body



Group - 45RFE Automatic Transmission Multi-Speed

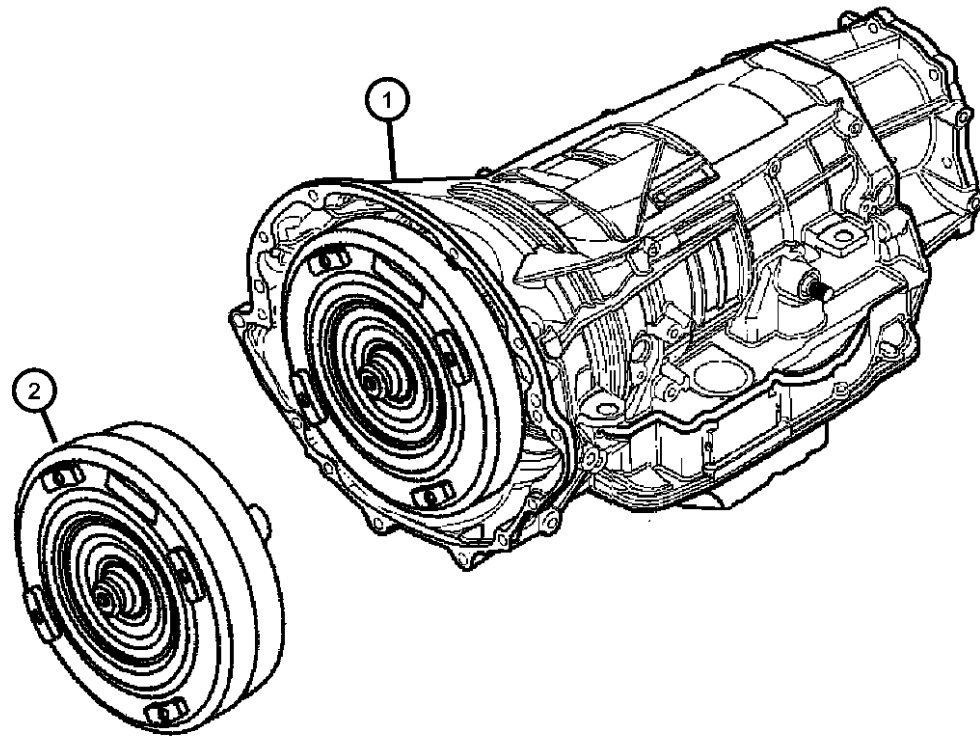
Illustration Title	Group-Fig. No.
Transmission Assembly	
Transmission Assembly	Fig. 45RFE - 110
Case and Extension	
Transmission Case & Related Parts	Fig. 45RFE - 210
Adapter & Extension	Fig. 45RFE - 220
Oil Pump	
Oil Pump	Fig. 45RFE - 310
Gear Train	
Input Shaft	Fig. 45RFE - 410
Underdrive	Fig. 45RFE - 420
Overdrive	Fig. 45RFE - 430
2 & 4 Clutch Retainer	Fig. 45RFE - 440
Input / Reverse Planetary	Fig. 45RFE - 450
Reaction Annulus / Sun Gear	Fig. 45RFE - 460
Low / Reverse Clutch	Fig. 45RFE - 470
Valve Body	
Valve Body	Fig. 45RFE - 710
Parking Sprag	Fig. 45RFE - 720
Gearshift Controls	
Gearshift Control	Fig. 45RFE - 1210
Shift Lever & Bracket	Fig. 45RFE - 1220
Seal and Shim Packages	
LR Clutch	Fig. 45RFE - 1310
2 & 4 Clutch	Fig. 45RFE - 1320
Input Clutch Plate	Fig. 45RFE - 1330
Overhaul	Fig. 45RFE - 1340
Input Clutch	Fig. 45RFE - 1350
Planetary Clutch	Fig. 45RFE - 1360

**Transmission Assembly
Figure 45RFE-110**

ITEM	PART NUMBER	QTY	LINE	SERIES	BODY	ENGINE	TRANS	TRIM	DESCRIPTION
------	-------------	-----	------	--------	------	--------	-------	------	-------------

NOTE:
Sales Codes:
[DGQ]=5 Speed Automatic Transmission - [5-45RFE]
[EV0] = All 4.7L 8 Cylinder Engines
[EZ0] = All 5.7L 8 Cylinder Engines

1									TRANSMISSION KIT, Automatic
	05179050AA	1	T			EV0	DGQ		With Stamp # [52119098AG]
		1	T			EZ0	DGQ		With Stamp # [52119098AG]
	05179051AA	1	J			EV0	DGQ		With Stamp # [52119099AG]
		1	J			EZ0	DGQ		With Stamp # [52119099AG]
2									TORQUE CONVERTER
	04736352AA	1	T			EV0	DGQ		
		1	J			EV0	DGQ		
		1	J			EZ0	DGQ		
		1	T			EZ0	DGQ		



NEW JEEP (XK)

SERIES	LINE
H = HIGHLINE	T = JEEP - 2WD
P = PREMIUM	J = JEEP - 4WD

BODY
74 = SPORT UTILITY 4-DR

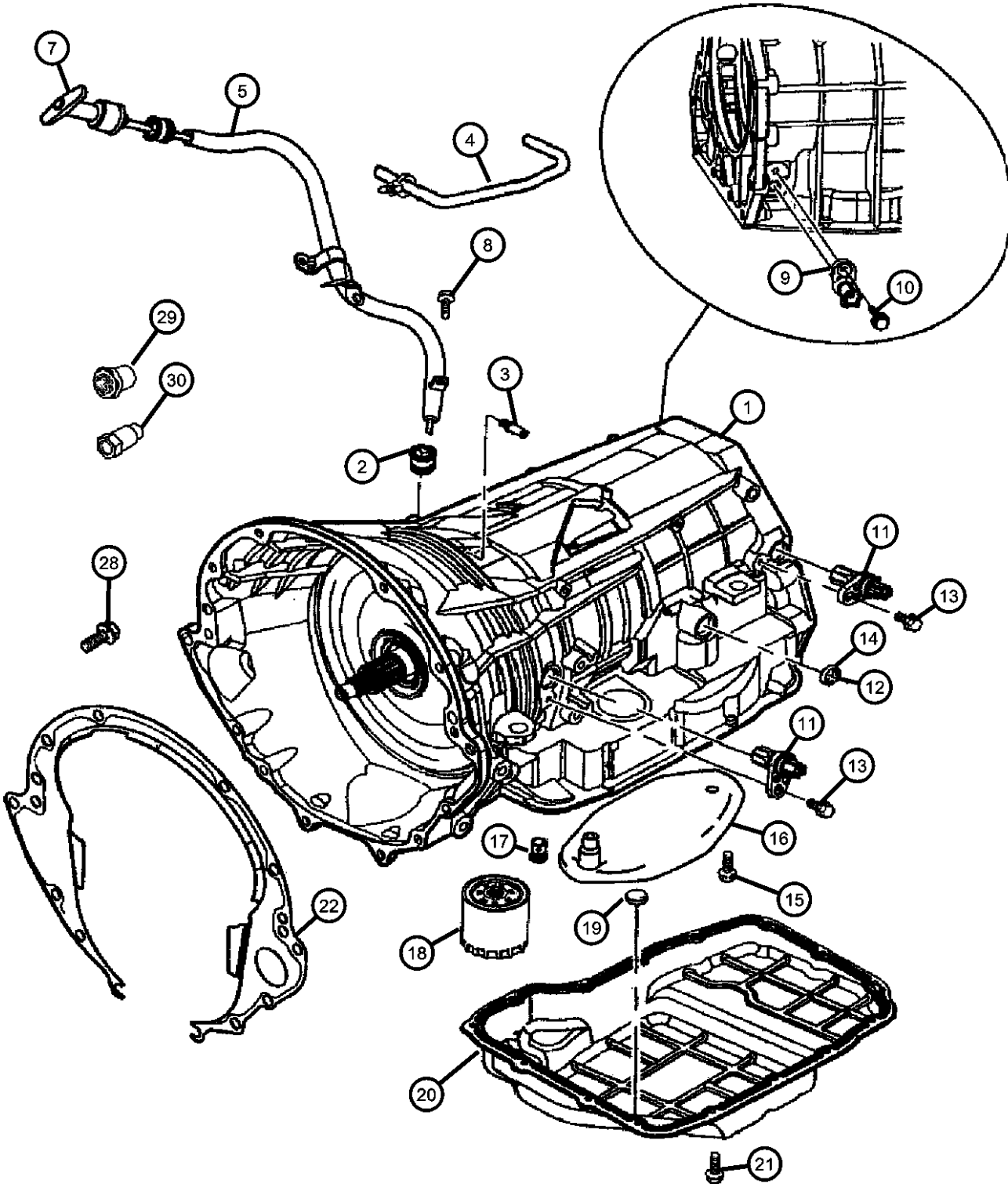
ENGINE
EKG = 3.7L V6 Engine
EVA = 4.7L V8 MPI Engine
EZB = 5.7L Hemi Multi Displacement Engine

TRANSMISSION
DGQ = 5-Spd Automatic 5-45RFE Transmission
DGJ = 5-Speed Automatic MB Transmission

AR = use ase required - = Non illustrated part

2006 XK

Transmission Case & Related Parts
Figure 45RFE-210



ITEM	PART NUMBER	QTY	LINE	SERIES	BODY	ENGINE	TRANS	TRIM	DESCRIPTION
------	-------------	-----	------	--------	------	--------	-------	------	-------------

NOTE: After [04/03/06] The Transmission Oil Level Indicator Was Replaced With A Oil Filler Cap. To Verify Transmission Oil Level Special Tool Will Transmission Fluid Indicator Is Not Serviced, Tech Must Refer To Service Manual For Proper Miller Special Tool And Procedure.

Sales Codes:

[DGQ] = 5 Speed Automatic Transmission - [5-45RFE]

[EV0] = All 4.7L 8 Cylinder Engines

[EZ0] = All 5.7L 8 Cylinder Engines

1									CASE, Transmission
	04799613AB	1	T			EV0	DGQ		
		1	J			EV0	DGQ		
		1	T			EZ0	DGQ		
		1	J			EZ0	DGQ		
2									GROMMET
	04810021	1	T			EV0	DGQ		
		1	J			EV0	DGQ		
		1	J			EZ0	DGQ		
		1	T			EZ0	DGQ		
3									VENT, Transmission
	04799861AB	1	T			EV0	DGQ		
		1	J			EV0	DGQ		
		1	T			EZ0	DGQ		
		1	J			EZ0	DGQ		
4	53032457AA	1					DGQ		TUBE, Vent
5									TUBE, Transmission Oil Filler
	53013685AD	1					DGQ		Up To [04/03/06]
	53013685AE	1					DGQ		After [04/03/06]
-6	04591959AA	1					DGQ		CAP, Oil Filler, After [04/03/06]
7	53013686AD	1					DGQ		INDICATOR, Transmission Fluid Level, Up To [04/03/06]
8	06501979	1							SCREW AND WASHER, Hex Head, M6x1x17
9									TRANSDUCER, Pressure Sensor
	04799758	1	T			EV0	DGQ		
		1	J			EV0	DGQ		
10									BOLT, M6x1.00x20
	06101331	2	T			EV0	DGQ		
		2	J			EV0	DGQ		
11									SENSOR, Transmission Input Speed

NEW JEEP (XK)

SERIES LINE

H = HIGHLINE T = JEEP - 2WD

P = PREMIUM J = JEEP - 4WD

BODY

74 = SPORT UTILITY 4-DR

ENGINE

EKG = 3.7L V6 Engine

EVA = 4.7L V8 MPI Engine

EZB = 5.7L Hemi Multi

Displacement Engine

TRANSMISSION

DGQ = 5-Spd Automatic 5-45RFE

Transmission

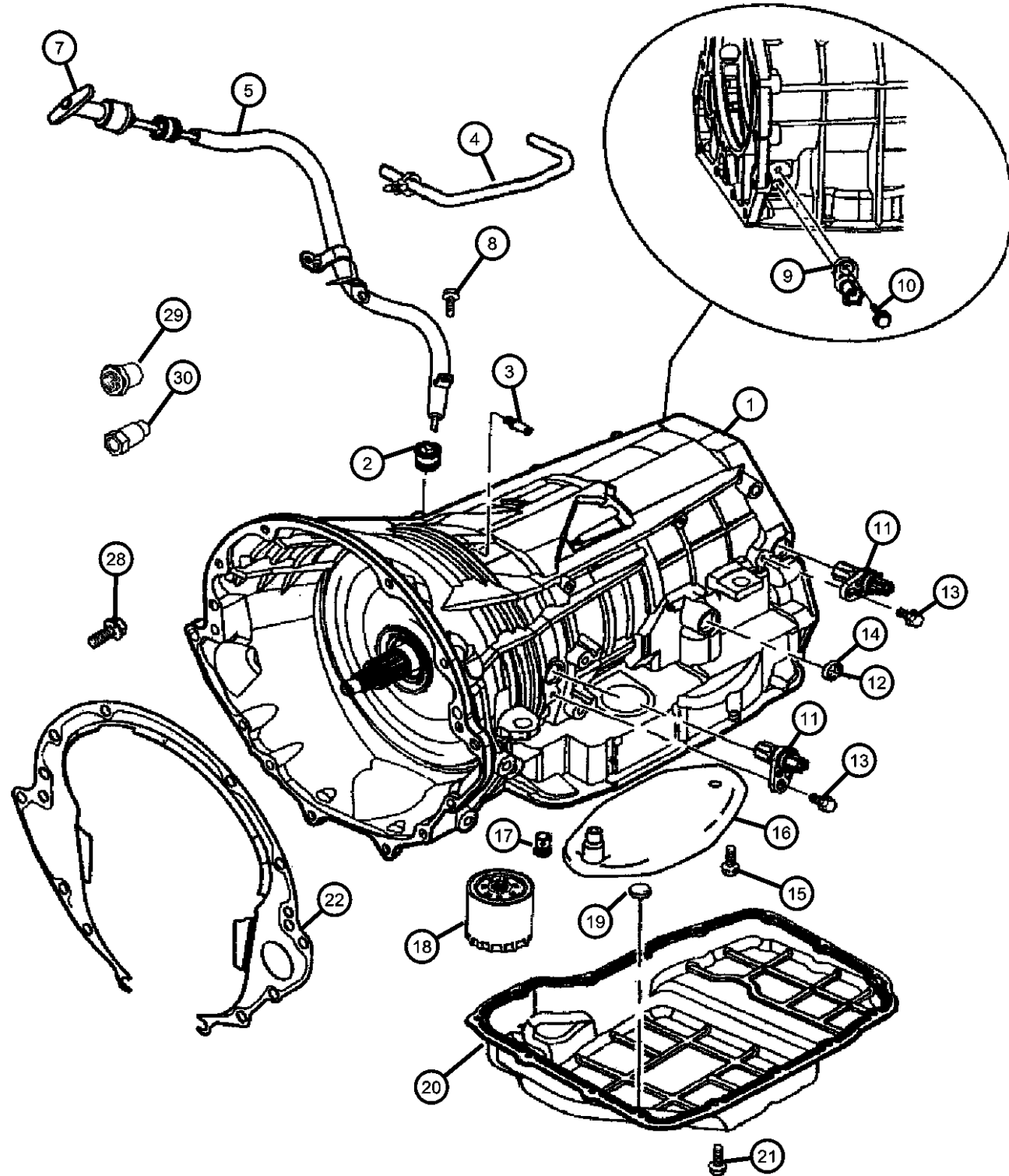
DGJ = 5-Speed Automatic MB

Transmission

AR = use ase required - = Non illustrated part

2006 XK

**Transmission Case & Related Parts
Figure 45RFE-210**



ITEM	PART NUMBER	QTY	LINE	SERIES	BODY	ENGINE	TRANS	TRIM	DESCRIPTION
	04799061AB	2	T			EVO	DGQ		
		2	J			EVO	DGQ		
12	04799062	2	T			EVO	DGQ		O RING
		2	J			EVO	DGQ		
13	06101331	2	T			EVO	DGQ		BOLT, M6x1.00x20
		2	J			EVO	DGQ		
14	04799346	1	T			EVO	DGQ		SEAL
		1	J			EVO	DGQ		
		1	T			EZO	DGQ		
		1	J			EZO	DGQ		
15									SCREW, Pan Head, M5 x 0.8 x 12.60
	06503232	1	T			EVO	DGQ		
		1	J			EVO	DGQ		
		1	T			EZO	DGQ		
		1	J			EZO	DGQ		
16									SUMP FILTER PACKAGE, Transmission oil
	05013470AC	1	J			EVO	DGQ		
		1	J			EZO	DGQ		
	05015267AC	1	T			EVO	DGQ		
		1	T			EZO	DGQ		
17									VALVE, Flow Control
	04799681	1	T			EVO	DGQ		
		1	J			EVO	DGQ		
		1	J			EZO	DGQ		
		1	T			EZO	DGQ		
18									FILTER, Transmission Oil
	04799662	1	T			EVO	DGQ		
		1	T			EZO	DGQ		
		1	J			EVO	DGQ		
		1	J			EZO	DGQ		
19									MAGNET, Transmission

NEW JEEP (XK)

SERIES LINE
H = HIGHLINE T = JEEP - 2WD
P = PREMIUM J = JEEP - 4WD

BODY
74 = SPORT UTILITY 4-DR

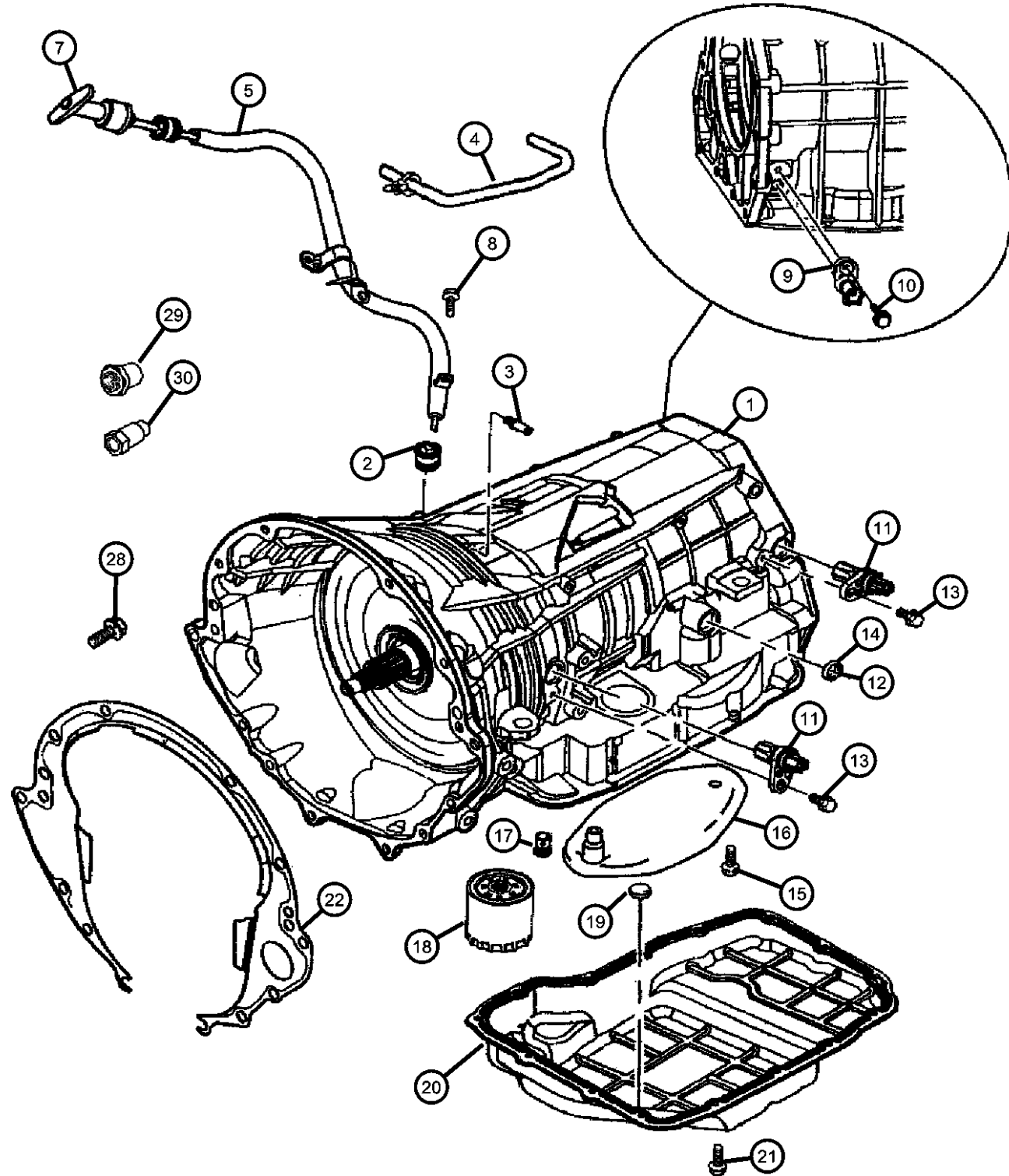
ENGINE
EKG = 3.7L V6 Engine
EVA = 4.7L V8 MPI Engine
EZB = 5.7L Hemi Multi Displacement Engine

TRANSMISSION
DGQ = 5-Spd Automatic 5-45RFE Transmission
DGJ = 5-Speed Automatic MB Transmission

AR = use ase required - = Non illustrated part

2006 XK

**Transmission Case & Related Parts
Figure 45RFE-210**



ITEM	PART NUMBER	QTY	LINE	SERIES	BODY	ENGINE	TRANS	TRIM	DESCRIPTION
	04446728	1	T			EVO	DGQ		
		1	J			EVO	DGQ		
		1	J			EZO	DGQ		
		1	T			EZO	DGQ		
20									PAN, Transmission Oil
	04800078AA	1	T			EVO	DGQ		
		1	T			EZO	DGQ		
	05013681AA	1	J			EVO	DGQ		
		1	J			EZO	DGQ		
21									SCREW AND WASHER, Hex Head, M6x1x12
	06101221	15	T			EZO	DGQ		
		15	T			EVO	DGQ		
		15	J			EVO	DGQ		
22	52104344AA	1					DGQ		COVER, Transmission Dust
-23									SNAP RING, Transmission
	04799088	1	J			EZO	DGQ		
	04799103	1	T			EVO	DGQ		
		1	T			EZO	DGQ		
		1	J			EVO	DGQ		
-24									O RING, Control Valve
	06505335AA	1	T			EVO	DGQ		
		1	J			EZO	DGQ		
		1	J			EVO	DGQ		
		1	T			EZO	DGQ		
-25									SEAL, Torque Converter Hub
	04736547	1	T			EVO	DGQ		
		1	J			EVO	DGQ		
		1	J			EZO	DGQ		
		1	T			EZO	DGQ		
-26									FITTING, Quick Connect
	52119547AA	2	J			EVO	DGQ		
		2	T			EVO	DGQ		
		2	J			EZO	DGQ		
		2	T			EZO	DGQ		

NEW JEEP (XK)

SERIES LINE

H = HIGHLINE T = JEEP - 2WD

P = PREMIUM J = JEEP - 4WD

BODY

74 = SPORT UTILITY 4-DR

ENGINE

EKG = 3.7L V6 Engine

EVA = 4.7L V8 MPI Engine

EZB = 5.7L Hemi Multi Displacement Engine

TRANSMISSION

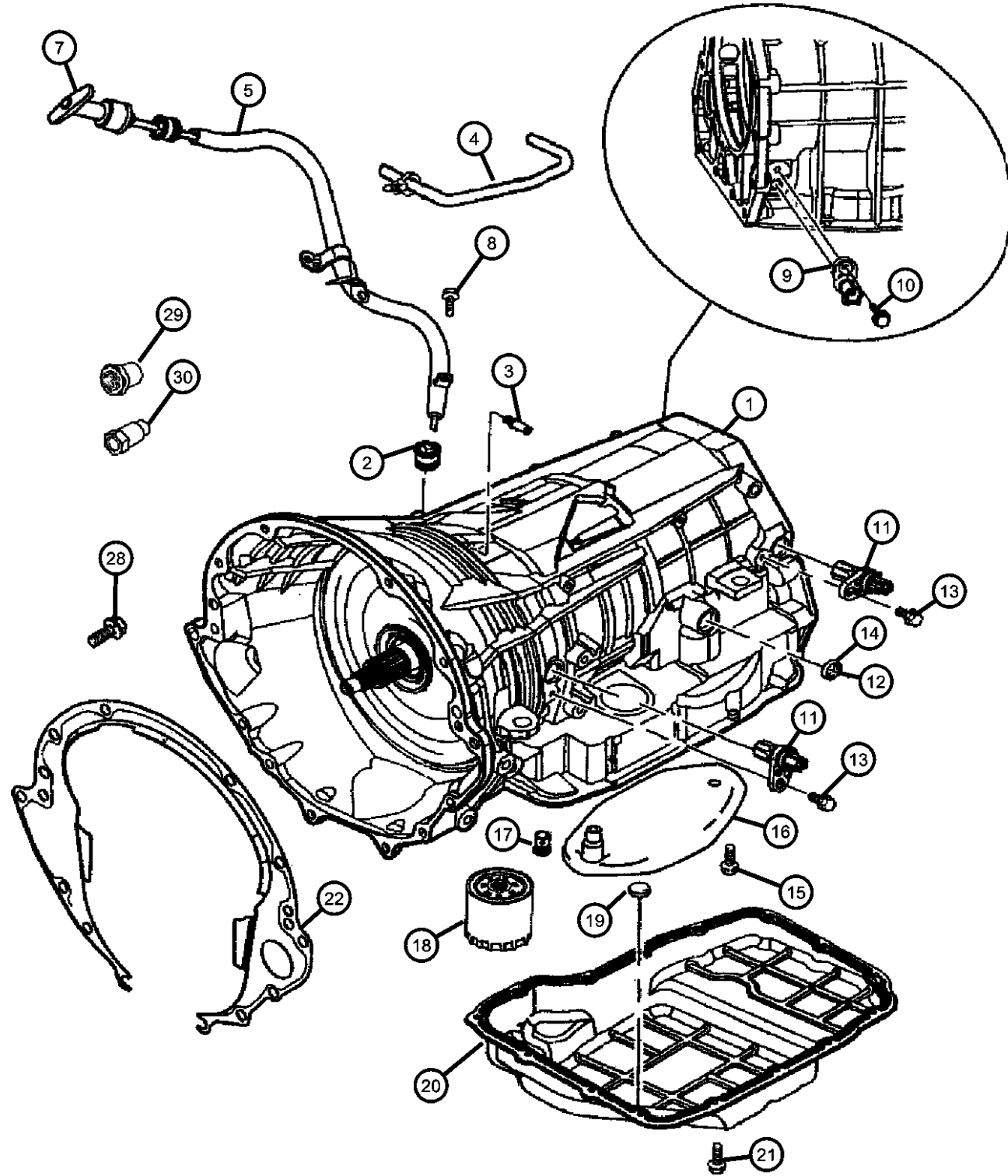
DGQ = 5-Spd Automatic 5-45RFE Transmission

DGJ = 5-Speed Automatic MB Transmission

AR = use ase required - = Non illustrated part

2006 XK

**Transmission Case & Related Parts
Figure 45RFE-210**



ITEM	PART NUMBER	QTY	LINE	SERIES	BODY	ENGINE	TRANS	TRIM	DESCRIPTION
-27	04799433AB	2	T			EZ0	DGQ		NUT, Transmission Case, Cooler Line Fitting
28	06022266	1	T			EVO	DGQ		SCREW, Hex Head, .375-16x1.5
		1	J			EVO	DGQ		
		1	J			EZ0	DGQ		
		1	T			EZ0	DGQ		
29	52119547AA	2	T			EVO	DGQ		FITTING, Quick Connect
		2	J			EVO	DGQ		
		2	T			EZ0	DGQ		
		2	J			EZ0	DGQ		
30	06030035	2	J			EZ0	DGQ		PLUG, Pressure Check
		2	T			EVO	DGQ		
		2	J			EVO	DGQ		
		2	T			EZ0	DGQ		

NEW JEEP (XK)

SERIES LINE
H = HIGHLINE T = JEEP - 2WD
P = PREMIUM J = JEEP - 4WD

BODY
74 = SPORT UTILITY 4-DR

ENGINE
EKG = 3.7L V6 Engine
EVA = 4.7L V8 MPI Engine
EZB = 5.7L Hemi Multi Displacement Engine

TRANSMISSION
DGQ = 5-Spd Automatic 5-45RFE Transmission
DGJ = 5-Speed Automatic MB Transmission

AR = use ase required - = Non illustrated part

2006 XK

Adapter & Extension
Figure 45RFE-220

ITEM	PART NUMBER	QTY	LINE	SERIES	BODY	ENGINE	TRANS	TRIM	DESCRIPTION
1	52119463AB	1	J			EVO	DGQ		ADAPTER, Transfer Case
		1	J			EZO	DGQ		
2	52119499AA	1	T			EVO	DGQ		HOUSING, Transmission Rear Extension
		1	T			EZO	DGQ		
3	05143738AA	1	T			EVO	DGQ		NUT, Transfer Case Yoke
		1	T			EZO	DGQ		
4	05143743AA	1	T			EVO	DGQ		SEAL
		1	T			EZO	DGQ		
5	05086304AA	1	T			EVO	DGQ		SNAP RING
		1	T			EZO	DGQ		
6	04461069	1	T			EVO	DGQ		SNAP RING
		1	T			EZO	DGQ		
	04799247	1	J			EVO	DGQ		
		1	J			EZO	DGQ		
7	05086314AA	1	T			EVO	DGQ		SNAP RING
		1	T			EZO	DGQ		
8	52119498AA	1	J			EVO	DGQ		SEAL, Adapter
		1	J			EZO	DGQ		
9	04799090	1	T			EVO	DGQ		SEAL, Input
		1	J			EVO	DGQ		
		AR	T			EZO	DGQ		
		AR	J			EZO	DGQ		

NEW JEEP (XK)

SERIES LINE
H = HIGHLINE T = JEEP - 2WD
P = PREMIUM J = JEEP - 4WD

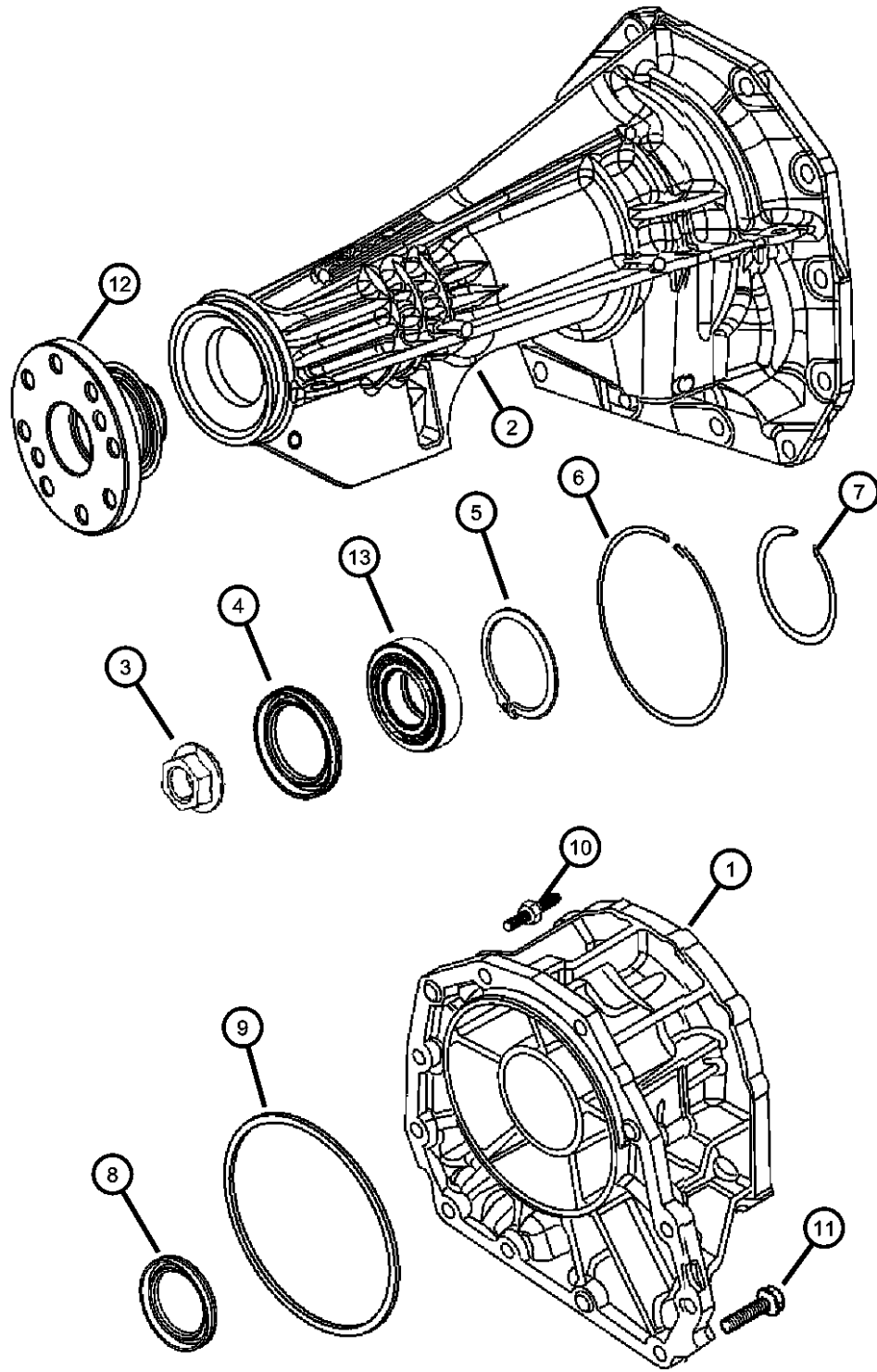
BODY
74 = SPORT UTILITY 4-DR

ENGINE
EKG = 3.7L V6 Engine
EVA = 4.7L V8 MPI Engine
EZB = 5.7L Hemi Multi Displacement Engine

TRANSMISSION
DGQ = 5-Spd Automatic 5-45RFE Transmission
DGJ = 5-Speed Automatic MB Transmission

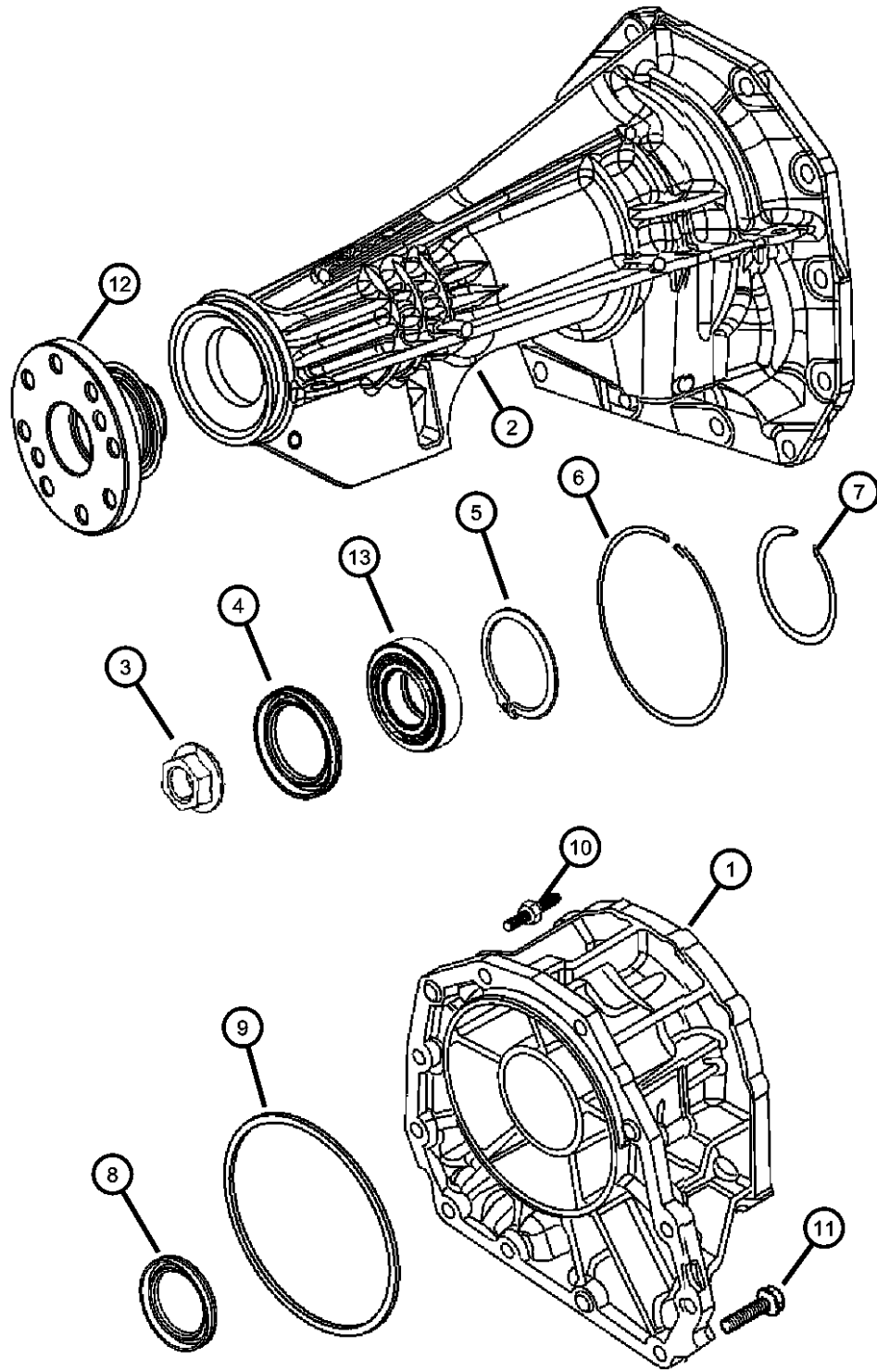
AR = use ase required - = Non illustrated part

2006 XK



Adapter & Extension
Figure 45RFE-220

ITEM	PART NUMBER	QTY	LINE	SERIES	BODY	ENGINE	TRANS	TRIM	DESCRIPTION
10	06505064AA	2	T			EVO	DGQ		STUD, M10x1.5x62
		2	J			EVO	DGQ		
		2	J			EZO	DGQ		
		2	T			EZO	DGQ		
11	06504774	10	T				DGQ		SCREW AND WASHER, Hex Head, M10x1.5x37
		10	J				DGQ		
12	05143735AB	1	T			EVO	DGQ		FLANGE, Driveshaft Yoke
		1	T			EZO	DGQ		
13	05086303AA	1	T			EZO	DGQ		BEARING, Input Gear
		1	T			EVO	DGQ		



NEW JEEP (XK)

SERIES LINE
H = HIGHLINE T = JEEP - 2WD
P = PREMIUM J = JEEP - 4WD

BODY
74 = SPORT UTILITY 4-DR

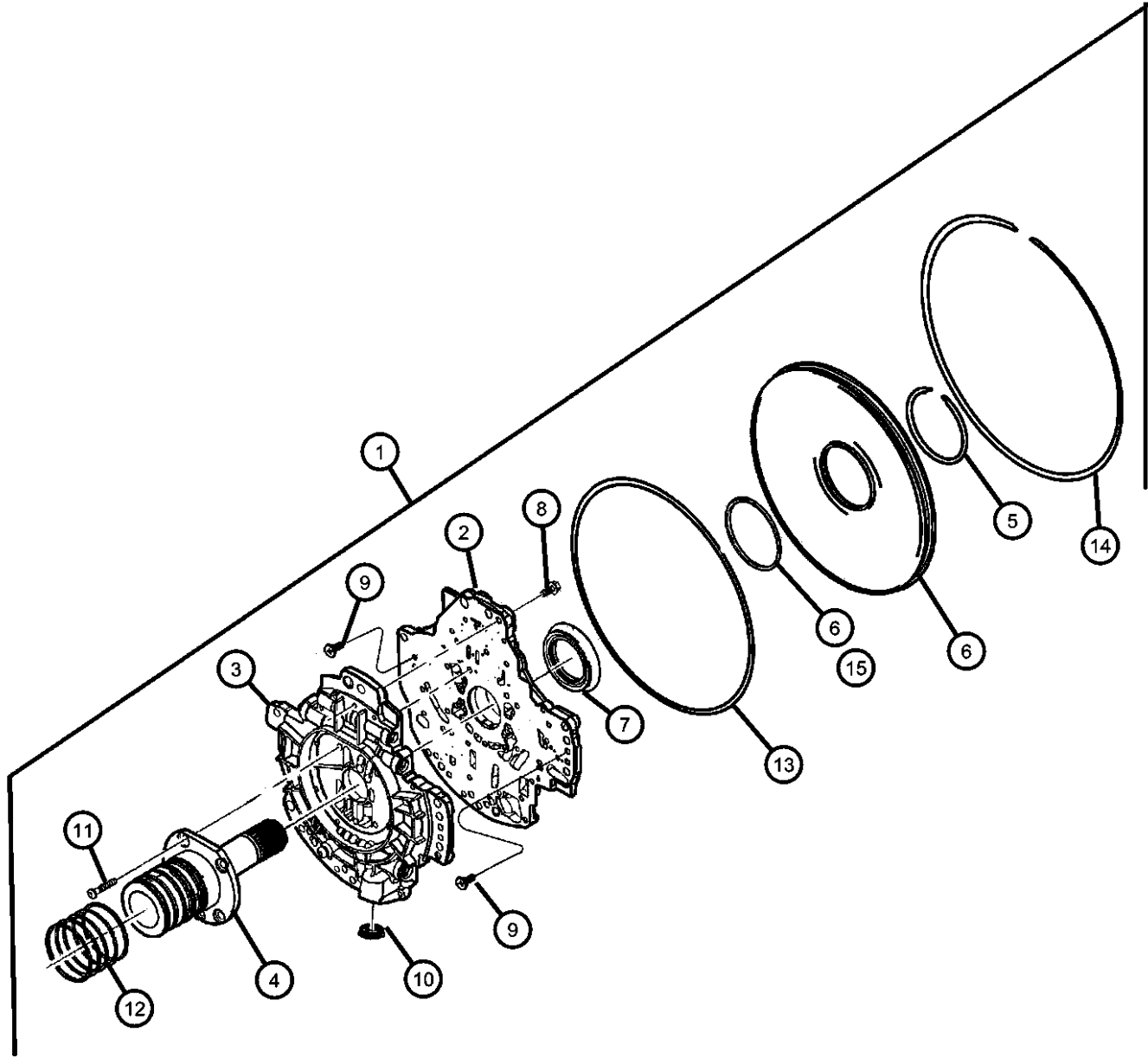
ENGINE
EKG = 3.7L V6 Engine
EVA = 4.7L V8 MPI Engine
EZB = 5.7L Hemi Multi Displacement Engine

TRANSMISSION
DGQ = 5-Spd Automatic 5-45RFE Transmission
DGJ = 5-Speed Automatic MB Transmission

AR = use ase required - = Non illustrated part

2006 XK

**Oil Pump
Figure 45RFE-310**



ITEM	PART NUMBER	QTY	LINE	SERIES	BODY	ENGINE	TRANS	TRIM	DESCRIPTION
------	-------------	-----	------	--------	------	--------	-------	------	-------------

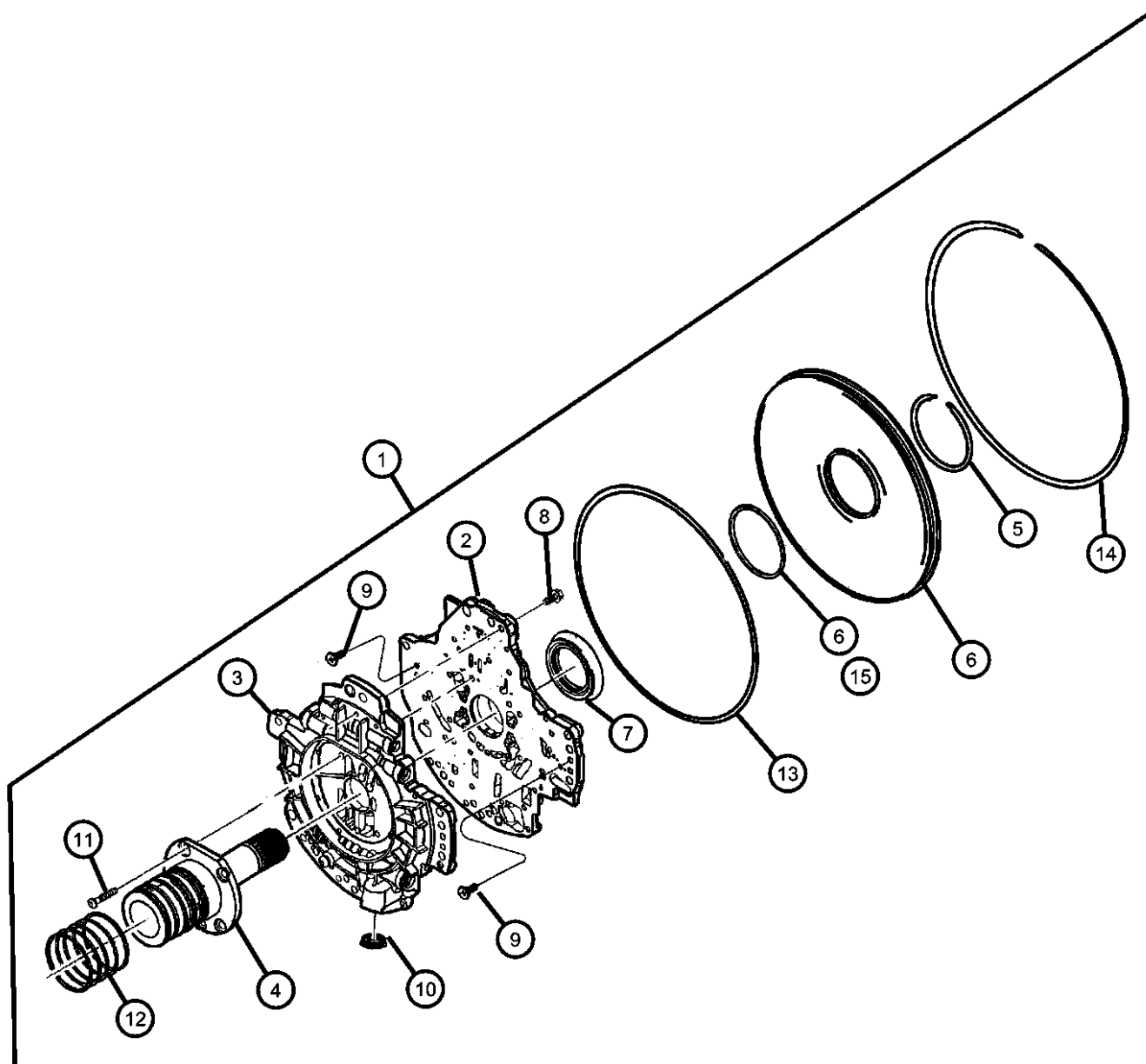
NOTE:
Sales Codes:
[DGQ]=5 Speed Automatic Transmission - [5-45RFE]
[EV0] = All 4.7L 8 Cylinder Engines
[EZ0] = All 5.7L 8 Cylinder Engines

1	05073004AD	1	T			EV0	DGQ		PUMP PACKAGE, Transmission
		1	J			EV0	DGQ		
		1	J			EZ0	DGQ		
		1	T			EZ0	DGQ		
2		1							HOUSING, Pump, (NOT SERVICED)
3		1							BODY, Oil Pump Valve, (NOT SERVICED)
4		1							SUPPORT, Reaction Shaft, (NOT SERVICED)
5		1							SNAP RING, Transmission
	04799082	1	T			EV0	DGQ		
		1	J			EV0	DGQ		
		1	J			EZ0	DGQ		
		1	T			EZ0	DGQ		
6	04799609	1	T			EV0	DGQ		COVER, Oil Pump
		1	J			EV0	DGQ		
		1	J			EZ0	DGQ		
		1	T			EZ0	DGQ		
7	04617919	1	T			EV0	DGQ		SEAL, Transmission Oil Pump
		1	J			EV0	DGQ		
		1	J			EZ0	DGQ		
		1	T			EZ0	DGQ		
8	06500215	24	T			EV0	DGQ		SCREW AND WASHER, Pan Head, M5x.8x25
		24	J			EV0	DGQ		
		24	J			EZ0	DGQ		
		24	T			EZ0	DGQ		
9									SCREW, Pan Head, M5 x 0.8 x 12.60

NEW JEEP (XK)				
SERIES	LINE	BODY	ENGINE	TRANSMISSION
H = HIGHLINE	T = JEEP - 2WD	74 = SPORT UTILITY 4-DR	EKG = 3.7L V6 Engine	DGQ = 5-Spd Automatic 5-45RFE Transmission
P = PREMIUM	J = JEEP - 4WD		EVA = 4.7L V8 MPI Engine	DGJ = 5-Speed Automatic MB Transmission
			EZB = 5.7L Hemi Multi Displacement Engine	

AR = use ase required - = Non illustrated part

Oil Pump
Figure 45RFE-310



ITEM	PART NUMBER	QTY	LINE	SERIES	BODY	ENGINE	TRANS	TRIM	DESCRIPTION
	06503232	1	J			EVO	DGQ		
		1	T			EVO	DGQ		
		1	T			EZO	DGQ		
		1	J			EZO	DGQ		
10									SEAL, Oil Pump
	0479964AB	1	T			EVO	DGQ		
		1	J			EVO	DGQ		
		1	J			EZO	DGQ		
		1	T			EZO	DGQ		
11									SCREW, Button Head
	06504661	5	T			EVO	DGQ		
		5	J			EVO	DGQ		
		5	J			EZO	DGQ		
		5	T			EZO	DGQ		
12									RING, Transmission
	04799056	5	T			EVO	DGQ		
		5	J			EVO	DGQ		
		5	J			EZO	DGQ		
		5	T			EZO	DGQ		
13									O RING, Oil Pump, .
	04799003	1	T			EVO	DGQ		
		1	J			EVO	DGQ		
		1	J			EZO	DGQ		
		1	T			EZO	DGQ		
14									SNAP RING, Transmission
	04799005	1	T			EVO	DGQ		
		1	J			EVO	DGQ		
		1	J			EZO	DGQ		
		1	T			EZO	DGQ		
15									SEAL, Torque Converter Hub
	04736547	1	T			EVO	DGQ		
		1	J			EVO	DGQ		
		1	J			EZO	DGQ		
		1	T			EZO	DGQ		

NEW JEEP (XK)

SERIES LINE
H = HIGHLINE T = JEEP - 2WD
P = PREMIUM J = JEEP - 4WD

BODY
74 = SPORT UTILITY 4-DR

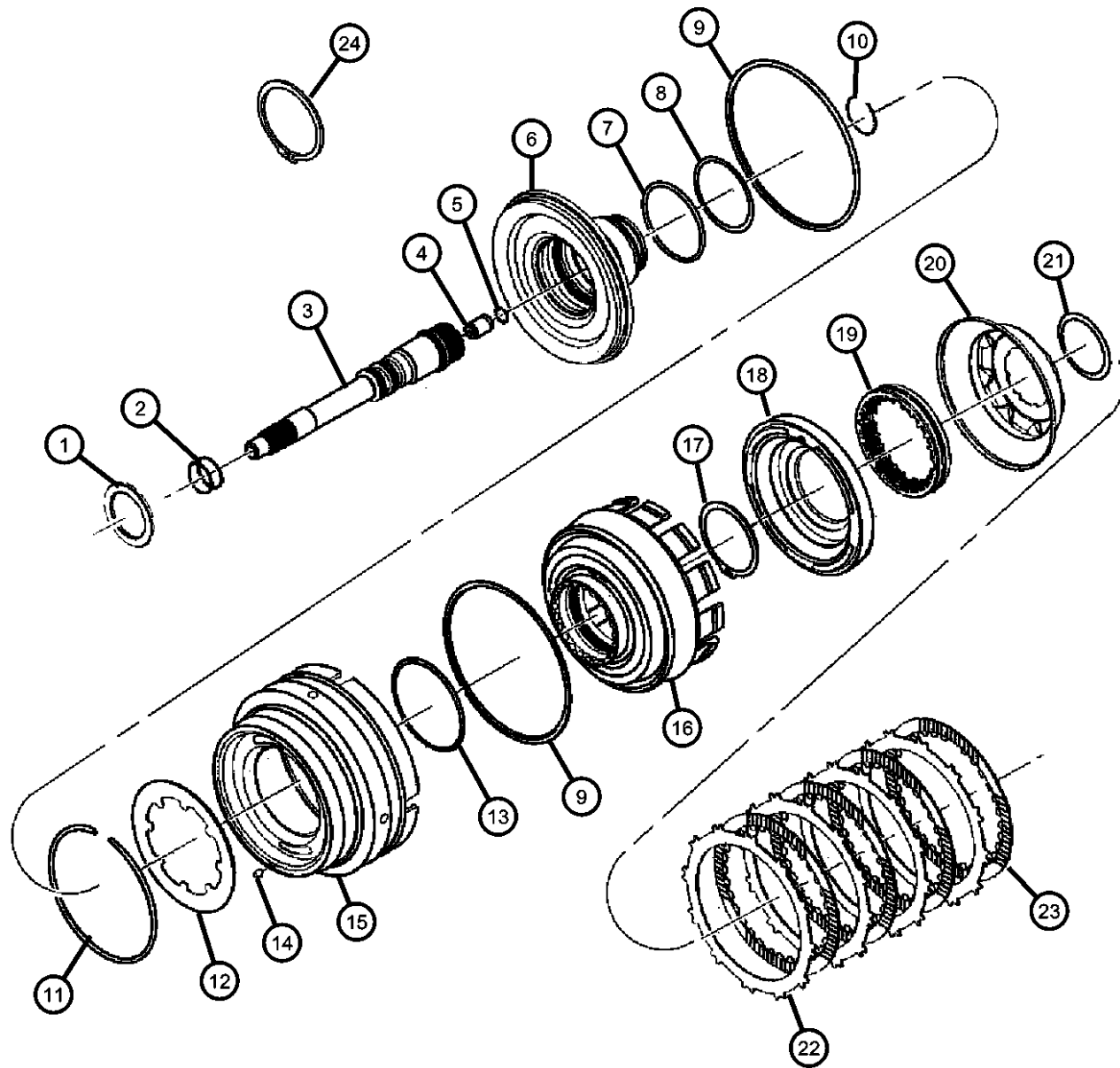
ENGINE
EKG = 3.7L V6 Engine
EVA = 4.7L V8 MPI Engine
EZB = 5.7L Hemi Multi Displacement Engine

TRANSMISSION
DGQ = 5-Spd Automatic 5-45RFE Transmission
DGJ = 5-Speed Automatic MB Transmission

AR = use ase required - = Non illustrated part

2006 XK

**Input Shaft
Figure 45RFE-410**



ITEM	PART NUMBER	QTY	LINE	SERIES	BODY	ENGINE	TRANS	TRIM	DESCRIPTION
NOTE: Sales Codes: [DGQ]=5 Speed Automatic Transmission - [5-45RFE] [EV0] = All 4.7L 8 Cylinder Engines [EZ0] = All 5.7L 8 Cylinder Engines									
1	04799469	1	T			EV0	DGQ		THRUST BEARING, Needle Roller
		1	J			EV0	DGQ		
		AR	T			EZ0	DGQ		
		AR	J			EZ0	DGQ		
2	04799539	2	T			EV0	DGQ		SEAL, Input Shaft, PKG 05013090AC
		2	J			EV0	DGQ		
		2	J			EZ0	DGQ		
		2	T			EZ0	DGQ		
3	05114582AA	AR	T			EV0	DGQ		SHAFT, Input
		AR	T			EZ0	DGQ		
		AR	J			EV0	DGQ		
		AR	J			EZ0	DGQ		
4	04799974AA	1	T			EV0	DGQ		CHECK VALVE, Transmission
		1	J			EV0	DGQ		
		1	J			EZ0	DGQ		
		1	T			EZ0	DGQ		
5	06505335AA	1	T			EV0	DGQ		O RING, Control Valve
		1	J			EV0	DGQ		
		1	J			EZ0	DGQ		
		1	T			EZ0	DGQ		
6	04799536AC	1	T			EV0	DGQ		HUB, Input Clutch
		1	J			EV0	DGQ		
		1	J			EZ0	DGQ		
		1	T			EZ0	DGQ		

NEW JEEP (XK)

SERIES LINE
H = HIGHLINE T = JEEP - 2WD
P = PREMIUM J = JEEP - 4WD

BODY
74 = SPORT UTILITY 4-DR

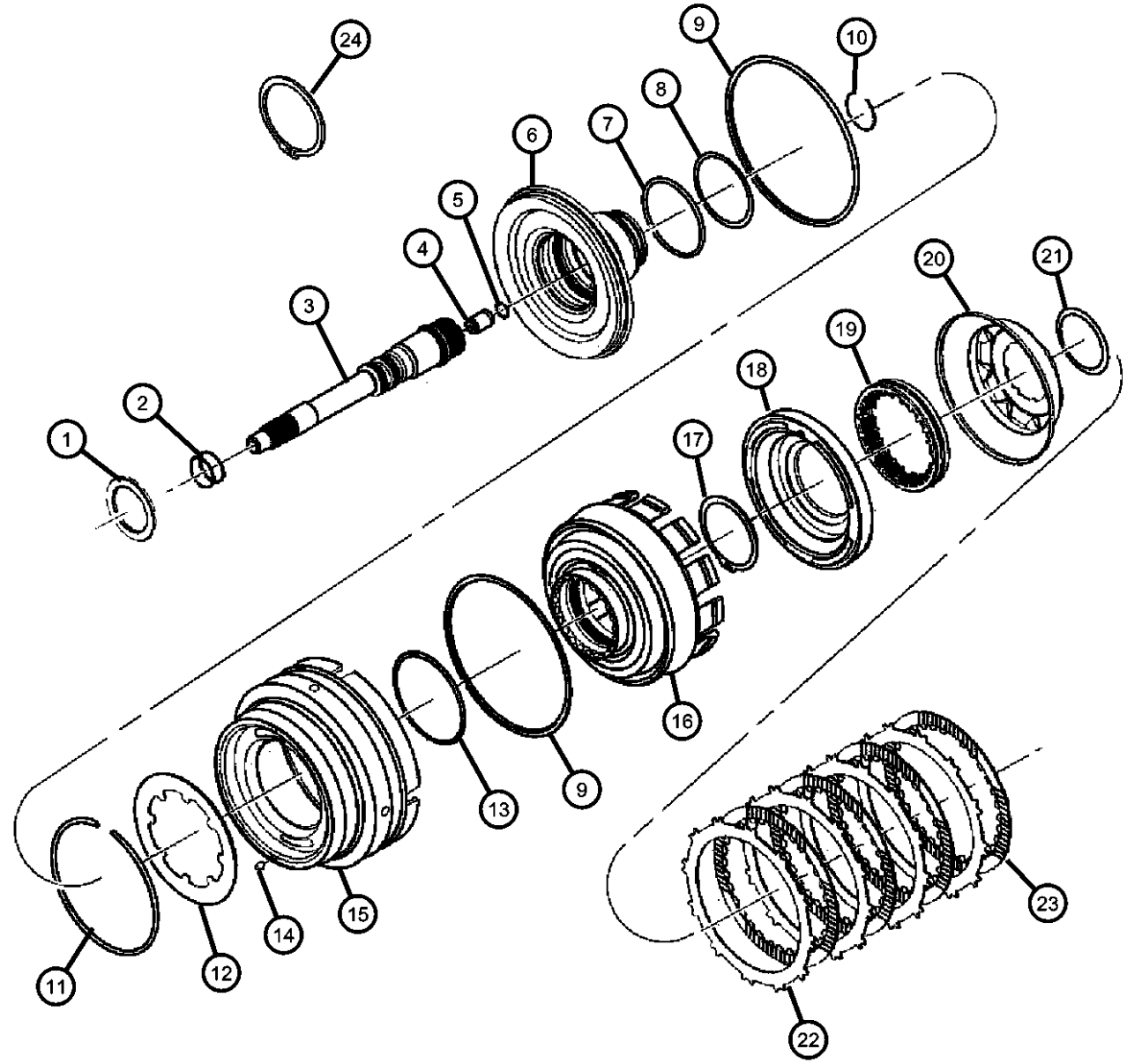
ENGINE
EKG = 3.7L V6 Engine
EVA = 4.7L V8 MPI Engine
EZB = 5.7L Hemi Multi Displacement Engine

TRANSMISSION
DGQ = 5-Spd Automatic 5-45RFE Transmission
DGJ = 5-Speed Automatic MB Transmission

AR = use ase required - = Non illustrated part

2006 XK

Input Shaft
Figure 45RFE-410



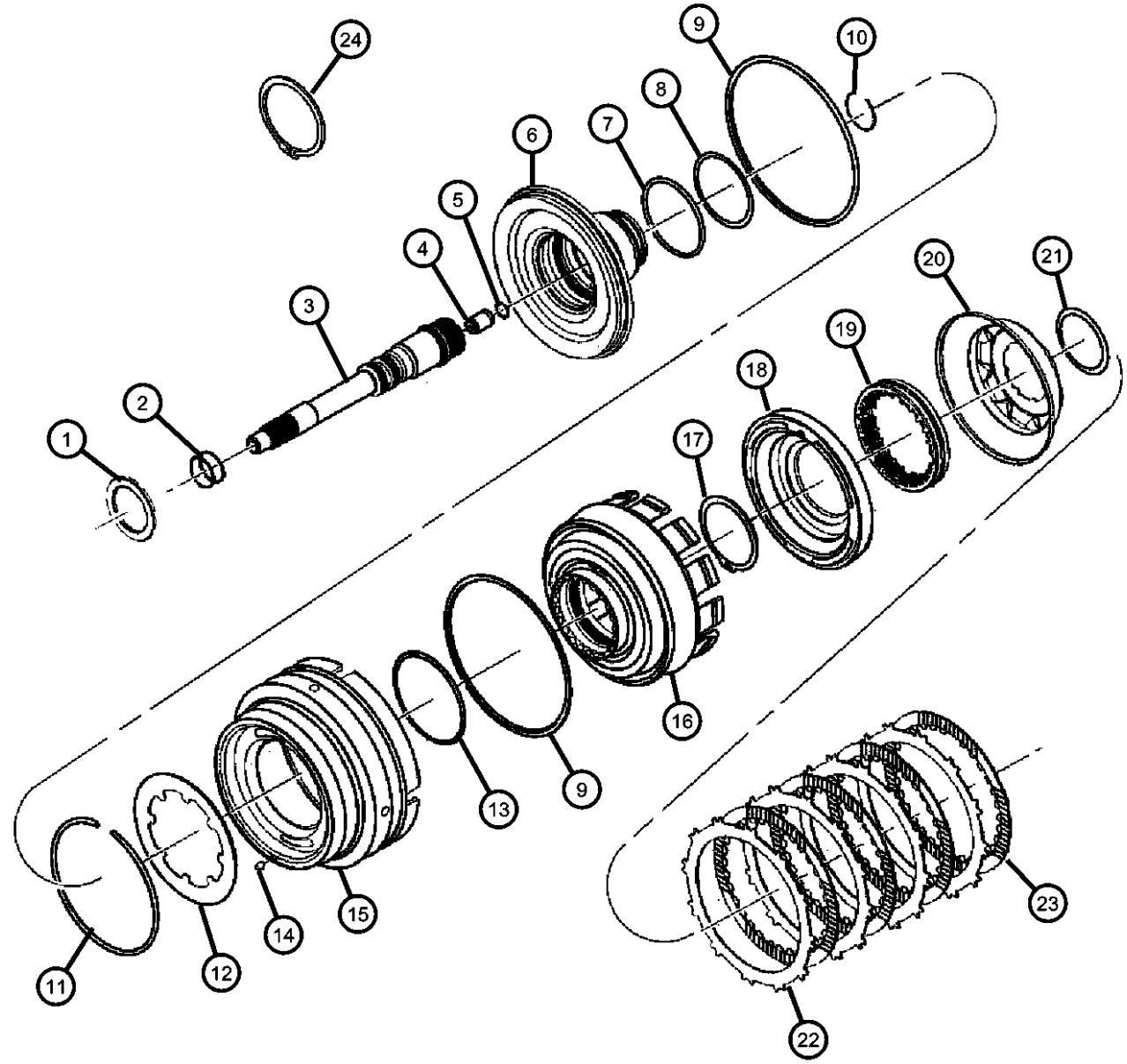
ITEM	PART NUMBER	QTY	LINE	SERIES	BODY	ENGINE	TRANS	TRIM	DESCRIPTION
7									O RING, Transmission Clutch, PKG 05013090AC
	04799755	1	T			EVO	DGQ		Small
		1	J			EVO	DGQ		Small
		AR	T			EZO	DGQ		Small
		AR	J			EVO	DGQ		Small
8									O RING, Transmission Clutch, PKG 05013090AC
	04799073	1	T			EVO	DGQ		Large
		1	J			EVO	DGQ		Large
		1	J			EZO	DGQ		Large
		1	T			EZO	DGQ		Large
9									SEAL, Input, PKG 05013090AC
	04799090	1	T			EVO	DGQ		
		1	J			EVO	DGQ		
		1	J			EZO	DGQ		
		1	T			EZO	DGQ		
10									SNAP RING, Input Shaft
	04799538	1	T			EVO	DGQ		
		1	J			EVO	DGQ		
		1	J			EZO	DGQ		
		1	T			EZO	DGQ		
11									SNAP RING, Transmission
	04799088	1	T			EVO	DGQ		
		1	J			EVO	DGQ		
		1	J			EZO	DGQ		
		1	T			EZO	DGQ		
12									SPRING, Piston Return
	04799087	1	T			EVO	DGQ		
		1	J			EVO	DGQ		
		1	J			EZO	DGQ		
		1	T			EZO	DGQ		
13									O RING, Reverse & O/Drive Clutch Piston, Transmission, PKG 05013090AC
	04799089	1	T			EVO	DGQ		

NEW JEEP (XK)

SERIES	LINE	BODY	ENGINE	TRANSMISSION
H = HIGHLINE	T = JEEP - 2WD	74 = SPORT UTILITY 4-DR	EKG = 3.7L V6 Engine	DGQ = 5-Spd Automatic 5-45RFE Transmission
P = PREMIUM	J = JEEP - 4WD		EVA = 4.7L V8 MPI Engine	DGJ = 5-Speed Automatic MB Transmission
			EZB = 5.7L Hemi Multi Displacement Engine	

AR = use ase required - = Non illustrated part

**Input Shaft
Figure 45RFE-410**



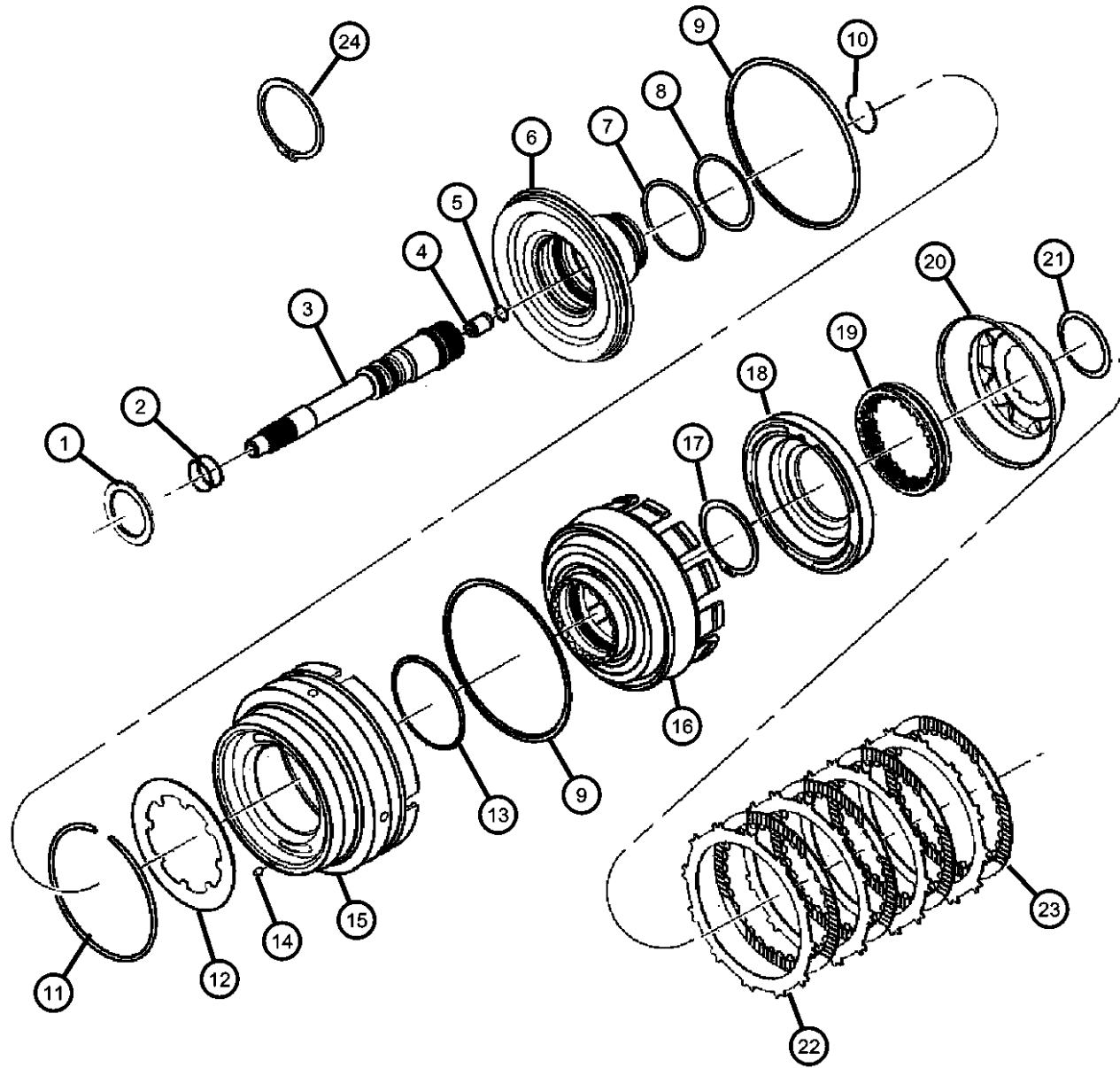
ITEM	PART NUMBER	QTY	LINE	SERIES	BODY	ENGINE	TRANS	TRIM	DESCRIPTION
		1	J			EVO	DGQ		
		1	J			EZO	DGQ		
		1	T			EZO	DGQ		
14	04531903	1	T			EVO	DGQ		FILTER, Reverse And O/D Clutch
		1	J			EVO	DGQ		
		1	J			EZO	DGQ		
		1	T			EZO	DGQ		
15	05073525AA	AR	T			EVO	DGQ		PISTON, Reverse and Overdrive
		AR	T			EZO	DGQ		
		AR	J			EVO	DGQ		
		AR	J			EZO	DGQ		
		1	J			EZO	DGQ		
		1	T			EZO	DGQ		
16	04799648	1	T			EVO	DGQ		RETAINER, Transmission Input Clutch
		1	J			EVO	DGQ		
		1	J			EZO	DGQ		
		1	T			EZO	DGQ		
17	04799097	1	T			EVO	DGQ		SNAP RING
		1	J			EVO	DGQ		
		1	J			EZO	DGQ		
		1	T			EZO	DGQ		
18	04799650	1	T			EVO	DGQ		PISTON, Underdrive
		1	J			EVO	DGQ		
		1	J			EZO	DGQ		
		1	T			EZO	DGQ		
19	04799101	1	T			EVO	DGQ		SPRING, Undredrive Piston, PKG 05013090AC
		1	J			EVO	DGQ		
		1	J			EZO	DGQ		

NEW JEEP (XK)

SERIES	LINE	BODY	ENGINE	TRANSMISSION
H = HIGHLINE	T = JEEP - 2WD	74 = SPORT UTILITY 4-DR	EKG = 3.7L V6 Engine	DGQ = 5-Spd Automatic 5-45RFE Transmission
P = PREMIUM	J = JEEP - 4WD		EVA = 4.7L V8 MPI Engine	DGJ = 5-Speed Automatic MB Transmission
			EZB = 5.7L Hemi Multi Displacement Engine	

AR = use ase required - = Non illustrated part

**Input Shaft
Figure 45RFE-410**



ITEM	PART NUMBER	QTY	LINE	SERIES	BODY	ENGINE	TRANS	TRIM	DESCRIPTION
		1	T			EZ0	DGQ		
20	04799652	1	T			EZ0	DGQ		PISTON, Underdrive
		1	J			EZ0	DGQ		
		1	J			EZ0	DGQ		
		1	T			EZ0	DGQ		
21	04799103	1	T			EZ0	DGQ		SNAP RING, Transmission, PKG 05013090AC
		1	J			EZ0	DGQ		
		1	J			EZ0	DGQ		
		1	T			EZ0	DGQ		
22		1							PLATE, PKG 05013090AC, (NOT SERVICED)
23		1							DISC, Clutch, PKG 05013090AC, (NOT SERVICED)
24	04799097	1	T			EZ0	DGQ		SNAP RING
		1	J			EZ0	DGQ		
		1	J			EZ0	DGQ		
		1	T			EZ0	DGQ		

NEW JEEP (XK)

SERIES LINE
H = HIGHLINE T = JEEP - 2WD
P = PREMIUM J = JEEP - 4WD

BODY
74 = SPORT UTILITY 4-DR

ENGINE
EKG = 3.7L V6 Engine
EVA = 4.7L V8 MPI Engine
EZB = 5.7L Hemi Multi Displacement Engine

TRANSMISSION
DGQ = 5-Spd Automatic 5-45RFE Transmission
DGJ = 5-Speed Automatic MB Transmission

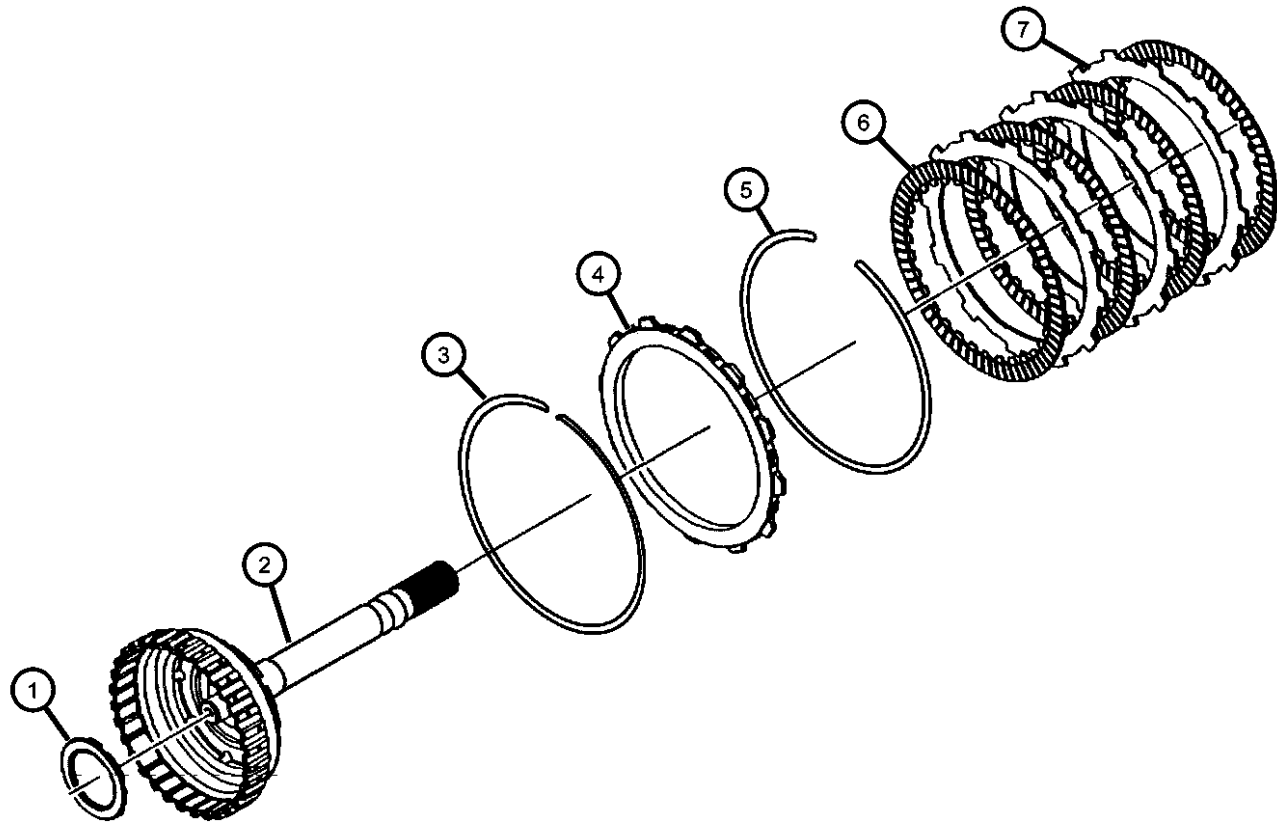
AR = use ase required - = Non illustrated part

2006 XK

**Underdrive
Figure 45RFE-420**

ITEM	PART NUMBER	QTY	LINE	SERIES	BODY	ENGINE	TRANS	TRIM	DESCRIPTION
------	-------------	-----	------	--------	------	--------	-------	------	-------------

NOTE:
Sales Codes:
[DGQ]=5 Speed Automatic Transmission - [5-45RFE]
[EV0] = All 4.7L 8 Cylinder Engines
[EZ0] = All 5.7L 8 Cylinder Engines



1	04799469	1	T			EV0	DGQ		THRUST BEARING, Needle Roller
		1	J			EV0	DGQ		
		1	T			EZ0	DGQ		
		1	J			EZ0	DGQ		
2	05127485AA	AR	T			EV0	DGQ		HUB AND SHAFT, Underdrive Clutch
		AR	T			EZ0	DGQ		
		AR	J			EV0	DGQ		
		AR	J			EZ0	DGQ		
3	04799760	1	T			EV0	DGQ		SNAP RING, Transmission
		1	J			EV0	DGQ		
		1	J			EZ0	DGQ		
4	04799108AD	AR	T			EV0	DGQ		PLATE, Transmission Clutch Reaction
		AR	T			EZ0	DGQ		
		AR	J			EV0	DGQ		
		AR	J			EZ0	DGQ		
5	04799111AB	1	T			EV0	DGQ		SNAP RING, Transmission, PKG 05013090AA
		1	J			EV0	DGQ		
		1	J			EZ0	DGQ		
		1	T			EZ0	DGQ		
6		1							DISC, Clutch, PKG 05013090AA, (NOT SERVICED)
7		1							PLATE, PKG 05013090AA, (NOT SERVICED)

NEW JEEP (XK)

SERIES LINE
H = HIGHLINE T = JEEP - 2WD
P = PREMIUM J = JEEP - 4WD

BODY
74 = SPORT UTILITY 4-DR

ENGINE
EKG = 3.7L V6 Engine
EVA = 4.7L V8 MPI Engine
EZB = 5.7L Hemi Multi Displacement Engine

TRANSMISSION
DGQ = 5-Spd Automatic 5-45RFE Transmission
DGJ = 5-Speed Automatic MB Transmission

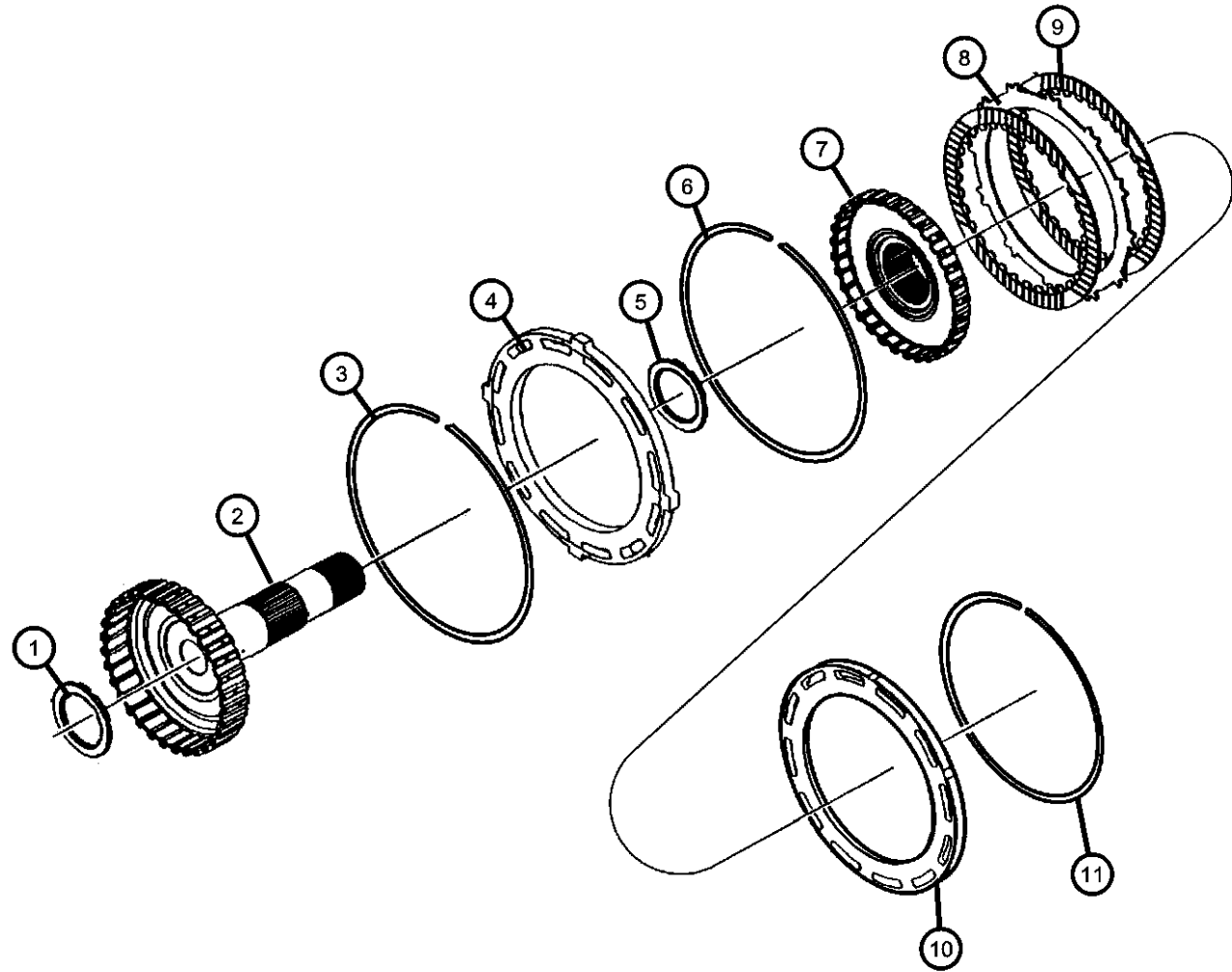
AR = use ase required - = Non illustrated part

2006 XK

**Overdrive
Figure 45RFE-430**

ITEM	PART NUMBER	QTY	LINE	SERIES	BODY	ENGINE	TRANS	TRIM	DESCRIPTION
------	-------------	-----	------	--------	------	--------	-------	------	-------------

NOTE:
Sales Codes:
[DGQ]=5 Speed Automatic Transmission - [5-45RFE]
[EV0] = All 4.7L 8 Cylinder Engines
[EZ0] = All 5.7L 8 Cylinder Engines



1	04799469	1	T			EV0	DGQ		THRUST BEARING, Needle Roller
		1	J			EV0	DGQ		
		1	T			EZ0	DGQ		
		1	J			EZ0	DGQ		
2	04799550	1	T			EV0	DGQ		HUB AND SHAFT, Overdrive Clutch
		1	J			EV0	DGQ		
		1	J			EZ0	DGQ		
		1	T			EZ0	DGQ		
3	04799118	1	T			EV0	DGQ		SNAP RING, Overdrive Clutch
		1	J			EV0	DGQ		
		1	J			EZ0	DGQ		
		1	T			EZ0	DGQ		
4	04799116AB	1	T			EV0	DGQ		PLATE, Clutch Pressure
		1	J			EV0	DGQ		
		1	J			EZ0	DGQ		
		1	T			EZ0	DGQ		
5	04799469	1	T			EV0	DGQ		THRUST BEARING, Needle Roller
		1	J			EV0	DGQ		
		1	T			EZ0	DGQ		
		1	J			EZ0	DGQ		
6	04799117	1	T			EV0	DGQ		SNAP RING, Transmission
		1	J			EV0	DGQ		
		1	J			EZ0	DGQ		
		1	T			EZ0	DGQ		
7									HUB AND SHAFT, Reverse Clutch

NEW JEEP (XK)

SERIES LINE
H = HIGHLINE T = JEEP - 2WD
P = PREMIUM J = JEEP - 4WD

BODY
74 = SPORT UTILITY 4-DR

ENGINE
EKG = 3.7L V6 Engine
EVA = 4.7L V8 MPI Engine
EZB = 5.7L Hemi Multi Displacement Engine

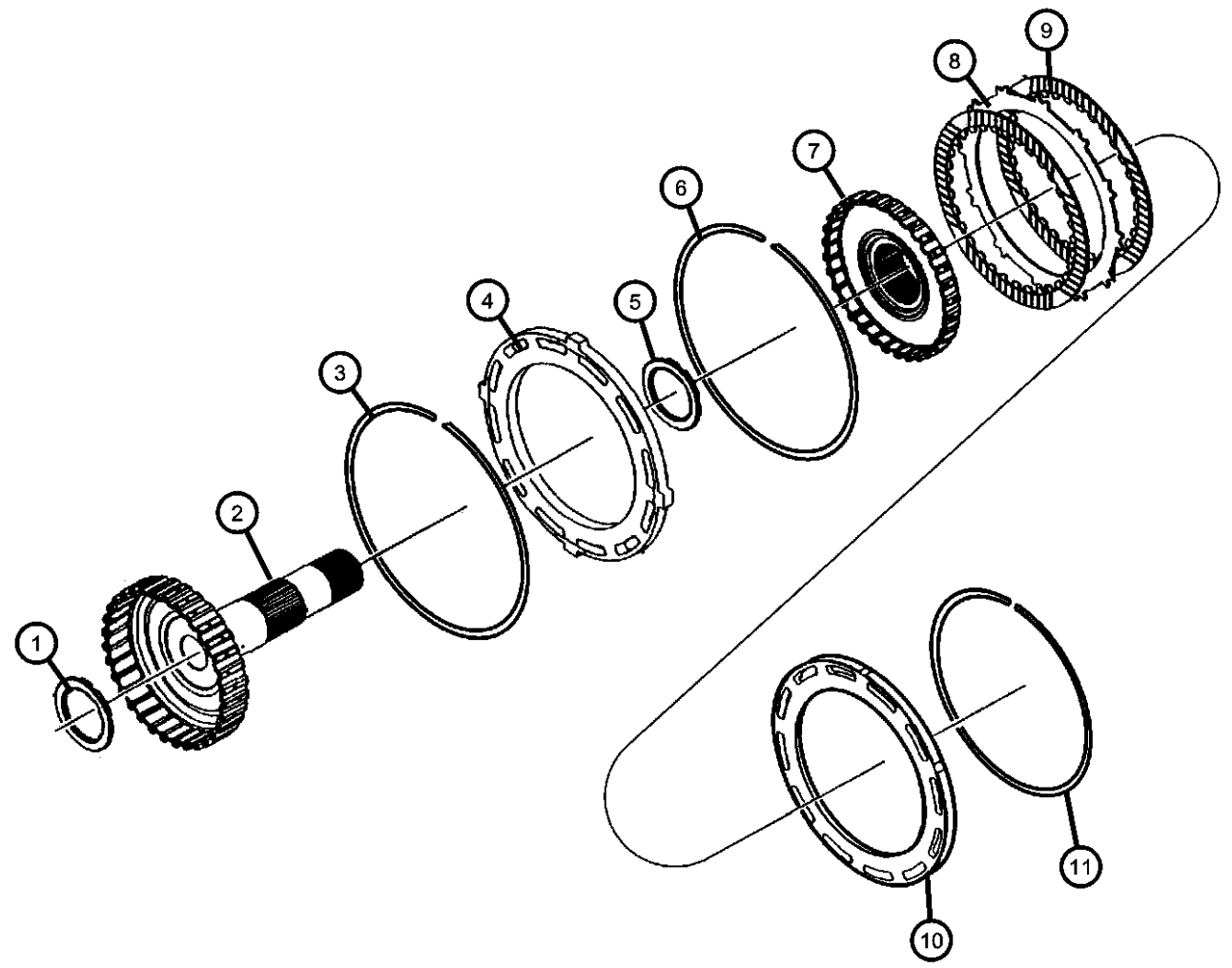
TRANSMISSION
DGQ = 5-Spd Automatic 5-45RFE Transmission
DGJ = 5-Speed Automatic MB Transmission

AR = use ase required - = Non illustrated part

2006 XK

**Overdrive
Figure 45RFE-430**

ITEM	PART NUMBER	QTY	LINE	SERIES	BODY	ENGINE	TRANS	TRIM	DESCRIPTION
	04799556	1	T			EVO	DGQ		
		1	J			EVO	DGQ		
		1	J			EZO	DGQ		
		1	T			EZO	DGQ		
8		1							PLATE, PKG 05013090AC, (NOT SERVICED)
9		1							DISC, Clutch, PKG 05013090AC, (NOT SERVICED)
10									PLATE, Transmission Clutch Reaction
	04799121	1	T			EVO	DGQ		
		1	J			EVO	DGQ		
		1	J			EZO	DGQ		
		1	T			EZO	DGQ		
11		1							SNAP RING, PKG 05013090AC, (NOT SERVICED)



NEW JEEP (XK)

SERIES LINE
H = HIGHLINE T = JEEP - 2WD
P = PREMIUM J = JEEP - 4WD

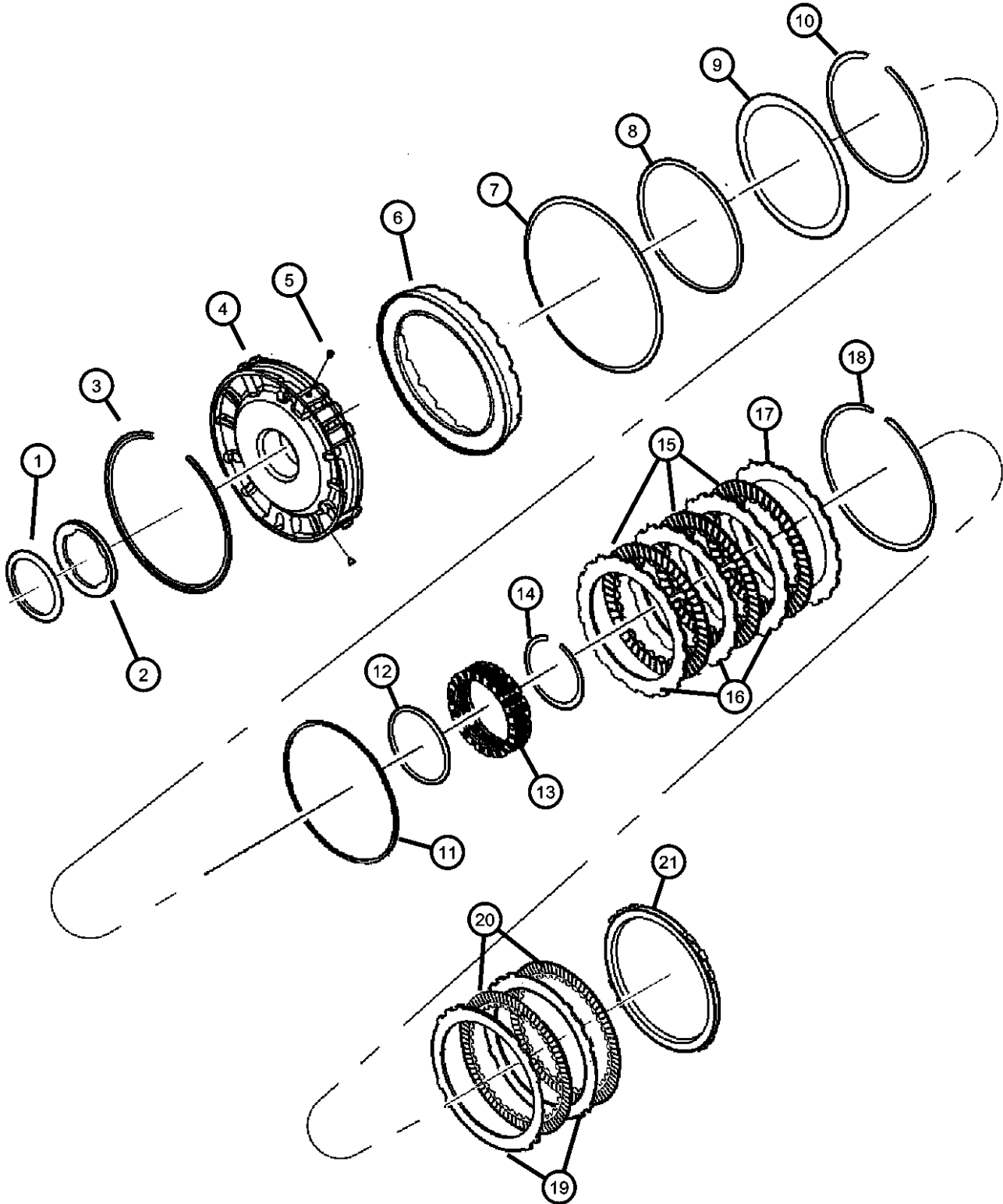
BODY
74 = SPORT UTILITY 4-DR

ENGINE
EKG = 3.7L V6 Engine
EVA = 4.7L V8 MPI Engine
EZB = 5.7L Hemi Multi Displacement Engine

TRANSMISSION
DGQ = 5-Spd Automatic 5-45RFE Transmission
DGJ = 5-Speed Automatic MB Transmission

AR = use ase required - = Non illustrated part

2 & 4 Clutch Retainer
Figure 45RFE-440



ITEM	PART NUMBER	QTY	LINE	SERIES	BODY	ENGINE	TRANS	TRIM	DESCRIPTION
------	-------------	-----	------	--------	------	--------	-------	------	-------------

NOTE:
Sales Codes:
[DGQ]=5 Speed Automatic Transmission - [5-45RFE]
[EV0] = All 4.7L 8 Cylinder Engines
[EZ0] = All 5.7L 8 Cylinder Engines

1	04799936AB	1	T			EVO	DGQ		THRUST BEARING, Needle Roller	
		1	J			EVO	DGQ			
		1	J			EZO	DGQ			
		1	T			EZO	DGQ			
2		1							PLATE, Clutch Hub Thrust, PKG 05013093AB, (NOT SERVICED)	
		3							SNAP RING, Transmission	
		4	1	T			EVO	DGQ		
			1	J			EVO	DGQ		
3	04799680AB	1	J			EZO	DGQ			
		1	T			EZO	DGQ			
		4	1	T			EVO	DGQ		RETAINER, Transmission 2nd and 4th Clutch Piston
			1	J			EZO	DGQ		
4	04799498AB	1	T			EVO	DGQ			
		1	T			EZO	DGQ			
		1	J			EVO	DGQ			
		1	J			EZO	DGQ			
5	04799086	1	T			EVO	DGQ		BLEED ORIFICE, Transmission	
		1	J			EVO	DGQ			
		1	T			EZO	DGQ			
		1	J			EZO	DGQ			
6	52119503AA	1	T			EVO	DGQ		PISTON, Clutch	
		1	J			EVO	DGQ			
		1	J			EZO	DGQ			
		1	T			EZO	DGQ			
7	04799174	1	T			EVO	DGQ		SNAP RING, Transmission	
		1	J			EVO	DGQ			
		1	J			EZO	DGQ			

NEW JEEP (XK)

SERIES LINE
H = HIGHLINE T = JEEP - 2WD
P = PREMIUM J = JEEP - 4WD

BODY
74 = SPORT UTILITY 4-DR

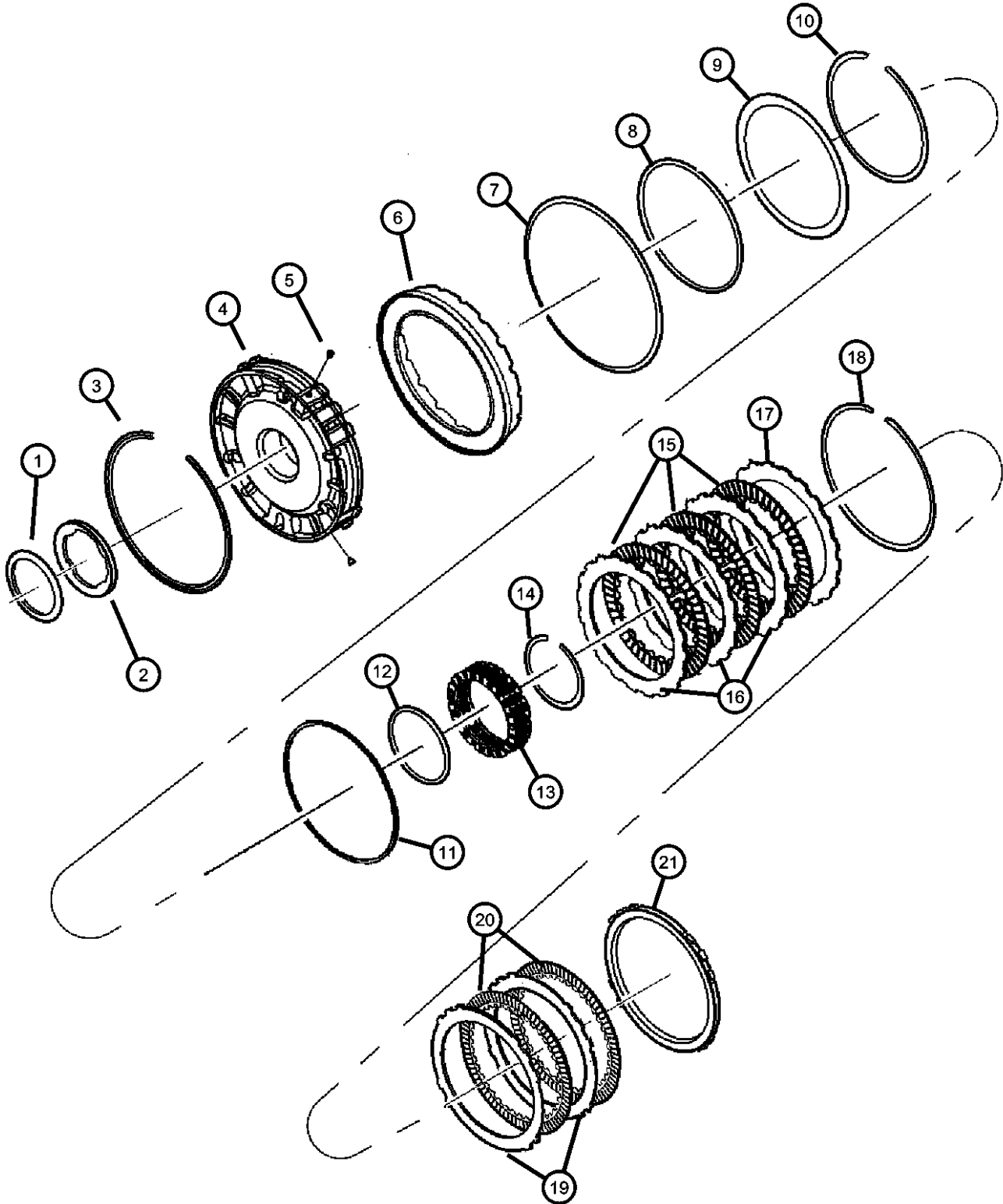
ENGINE
EKG = 3.7L V6 Engine
EVA = 4.7L V8 MPI Engine
EZB = 5.7L Hemi Multi Displacement Engine

TRANSMISSION
DGQ = 5-Spd Automatic 5-45RFE Transmission
DGJ = 5-Speed Automatic MB Transmission

AR = use ase required - = Non illustrated part

2006 XK

**2 & 4 Clutch Retainer
Figure 45RFE-440**



ITEM	PART NUMBER	QTY	LINE	SERIES	BODY	ENGINE	TRANS	TRIM	DESCRIPTION
8		1	T			EZ0	DGQ		RING, PKG 05013093AB, (NOT SERVICED)
9		1							SPRING, 2nd And 4th Clutch Piston
	04799521	1	T			EVO	DGQ		
		1	J			EVO	DGQ		
		1	J			EZO	DGQ		
		1	T			EZO	DGQ		
10									SNAP RING, Transmission
	04799522AB	1	T			EVO	DGQ		
		1	J			EVO	DGQ		
		1	J			EZO	DGQ		
		1	T			EZO	DGQ		
11		1							RING, PKG 05013093AB, (NOT SERVICED)
12		1							RING, PKG 05013093AB, (NOT SERVICED)
13									SPRING, 2nd And 4th Clutch Piston
	04799527AB	1	T			EVO	DGQ		
		1	J			EVO	DGQ		
		1	J			EZO	DGQ		
		1	T			EZO	DGQ		
14									SNAP RING, Transmission
	04799528AB	1	T			EVO	DGQ		
		1	J			EVO	DGQ		
		1	J			EZO	DGQ		
		1	T			EZO	DGQ		
15		1							DISC, Clutch, PKG 05013087AA, (NOT SERVICED)
16		1							PLATE, Clutch Separator, PKG 05013087AA, (NOT SERVICED)
17									PLATE, Transmission Clutch Reaction
	04799533	1	T			EVO	DGQ		
		1	J			EVO	DGQ		
		1	J			EZO	DGQ		
		1	T			EZO	DGQ		

NEW JEEP (XK)

SERIES LINE
H = HIGHLINE T = JEEP - 2WD
P = PREMIUM J = JEEP - 4WD

BODY
74 = SPORT UTILITY 4-DR

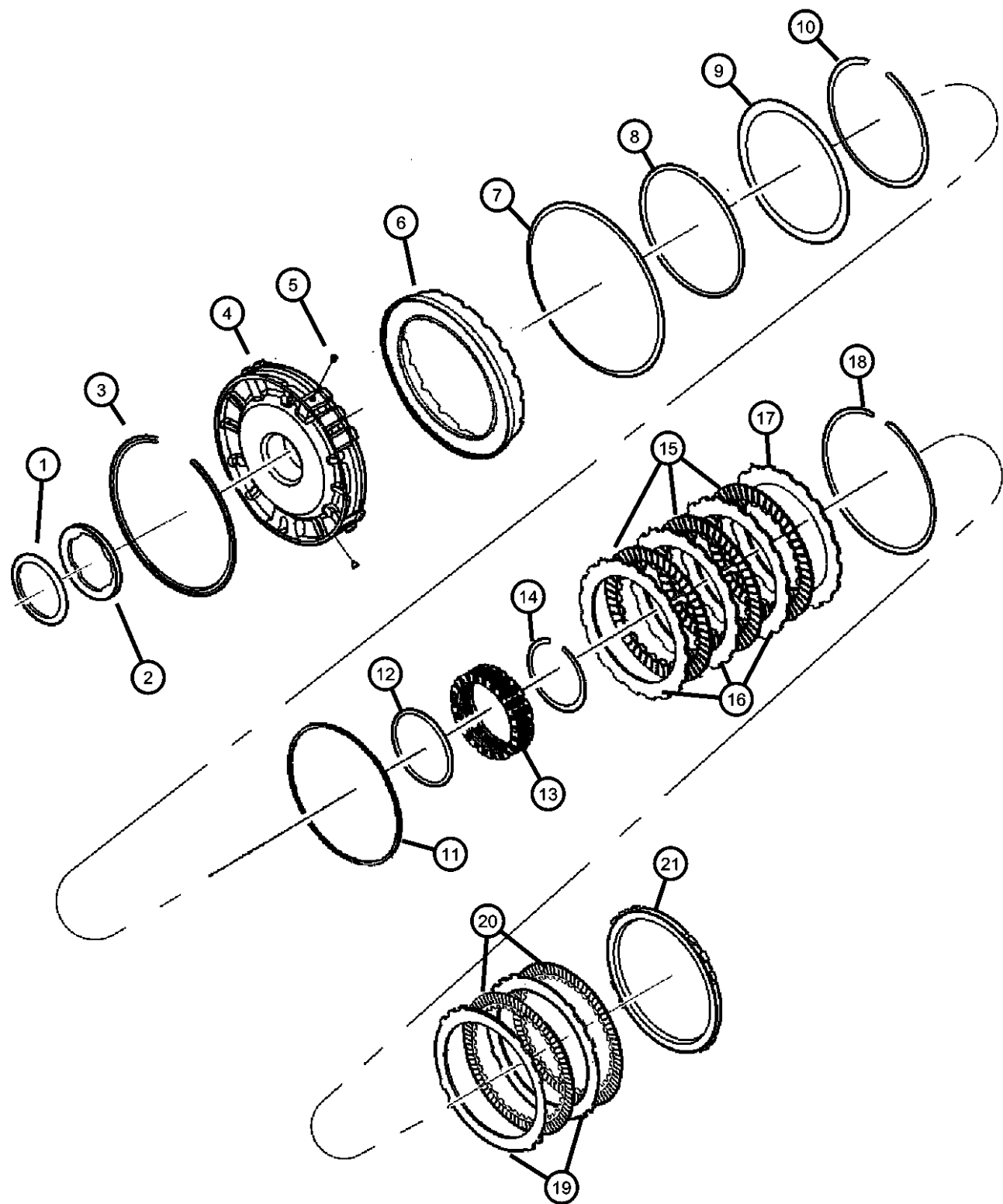
ENGINE
EKG = 3.7L V6 Engine
EVA = 4.7L V8 MPI Engine
EZB = 5.7L Hemi Multi Displacement Engine

TRANSMISSION
DGQ = 5-Spd Automatic 5-45RFE Transmission
DGJ = 5-Speed Automatic MB Transmission

AR = use ase required - = Non illustrated part

2006 XK

2 & 4 Clutch Retainer
Figure 45RFE-440



ITEM	PART NUMBER	QTY	LINE	SERIES	BODY	ENGINE	TRANS	TRIM	DESCRIPTION
18		1							SNAP RING, Transmission, PKG 05013087AA, (NOT SERVICED)
19		1							PLATE, PKG 05013087AA, (NOT SERVICED)
20		1							DISC, Clutch, PKG 05013087AA, (NOT SERVICED)
21									PLATE, Transmission Clutch Reaction
	04799687AB	1	T			EVO	DGQ		
		1	J			EVO	DGQ		
		1	J			EZO	DGQ		
		1	T			EZO	DGQ		
-22									CLUTCH, L/R Clutch
	04799457AB	1	T			EVO	DGQ		
		1	J			EVO	DGQ		
	04799457AE	1	J			EZO	DGQ		
		1	T			EZO	DGQ		
-23									CLUTCH, Overrunning
	04799465	1	T			EVO	DGQ		
		1	J			EVO	DGQ		
		1	J			EZO	DGQ		
		1	T			EZO	DGQ		

NEW JEEP (XK)

SERIES LINE
H = HIGHLINE T = JEEP - 2WD
P = PREMIUM J = JEEP - 4WD

BODY
74 = SPORT UTILITY 4-DR

ENGINE
EKG = 3.7L V6 Engine
EVA = 4.7L V8 MPI Engine
EZB = 5.7L Hemi Multi Displacement Engine

TRANSMISSION
DGQ = 5-Spd Automatic 5-45RFE Transmission
DGJ = 5-Speed Automatic MB Transmission

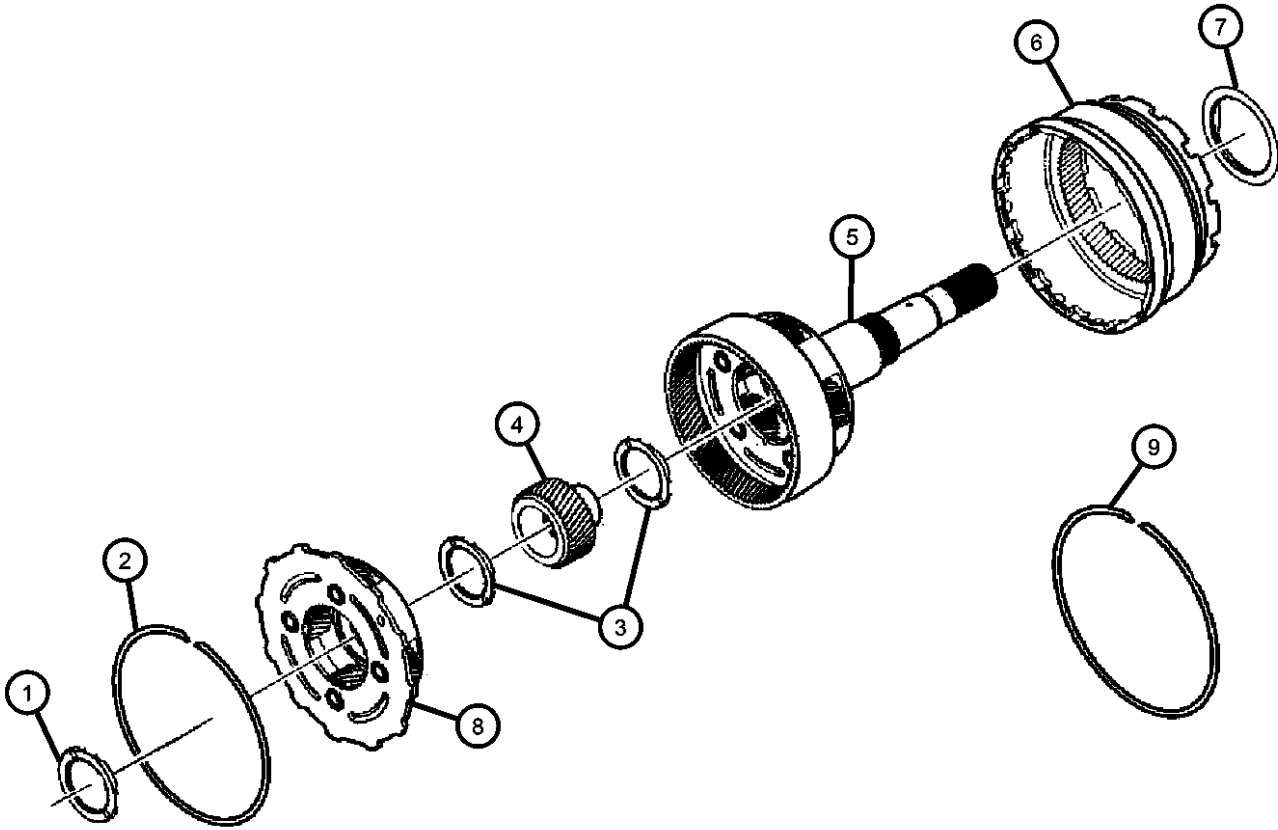
AR = use ase required - = Non illustrated part

2006 XK

**Input / Reverse Planetary
Figure 45RFE-450**

ITEM	PART NUMBER	QTY	LINE	SERIES	BODY	ENGINE	TRANS	TRIM	DESCRIPTION
------	-------------	-----	------	--------	------	--------	-------	------	-------------

NOTE:
Sales Codes:
[DGQ]=Multi Speed Automatic Transmission [5-45RFE]



1									THRUST BEARING, Needle Roller
	04799469	1	T			EVO	DGQ		
		1	J			EVO	DGQ		
		1	T			EZO	DGQ		
		1	J			EZO	DGQ		
2									SNAP RING
	04799247	1	T			EVO	DGQ		
		1	J			EVO	DGQ		
		1	J			EZO	DGQ		
		1	T			EZO	DGQ		
3									THRUST BEARING, Needle Roller
	52119464AA	1	T			EVO	DGQ		
		1	J			EVO	DGQ		
	52119464AB	1	J			EZO	DGQ		
		1	T			EZO	DGQ		
4									GEAR, Input Sun
	04799586AB	1	T			EVO	DGQ		
		1	J			EVO	DGQ		
		1	J			EZO	DGQ		
		1	T			EZO	DGQ		
5									CARRIER, Input Complete
	04799500AD	1	T			EVO	DGQ		
		1	T			EZO	DGQ		
		1	J			EVO	DGQ		
		1	J			EZO	DGQ		
6									GEAR, Annulus
	04799501	1	T			EVO	DGQ		
		1	J			EVO	DGQ		
		1	J			EZO	DGQ		
		1	T			EZO	DGQ		
7									THRUST BEARING, Needle Roller
	04799459	1	T			EVO	DGQ		
		1	J			EVO	DGQ		

NEW JEEP (XK)

SERIES LINE
H = HIGHLINE T = JEEP - 2WD
P = PREMIUM J = JEEP - 4WD

BODY
74 = SPORT UTILITY 4-DR

ENGINE
EKG = 3.7L V6 Engine
EVA = 4.7L V8 MPI Engine
EZB = 5.7L Hemi Multi Displacement Engine

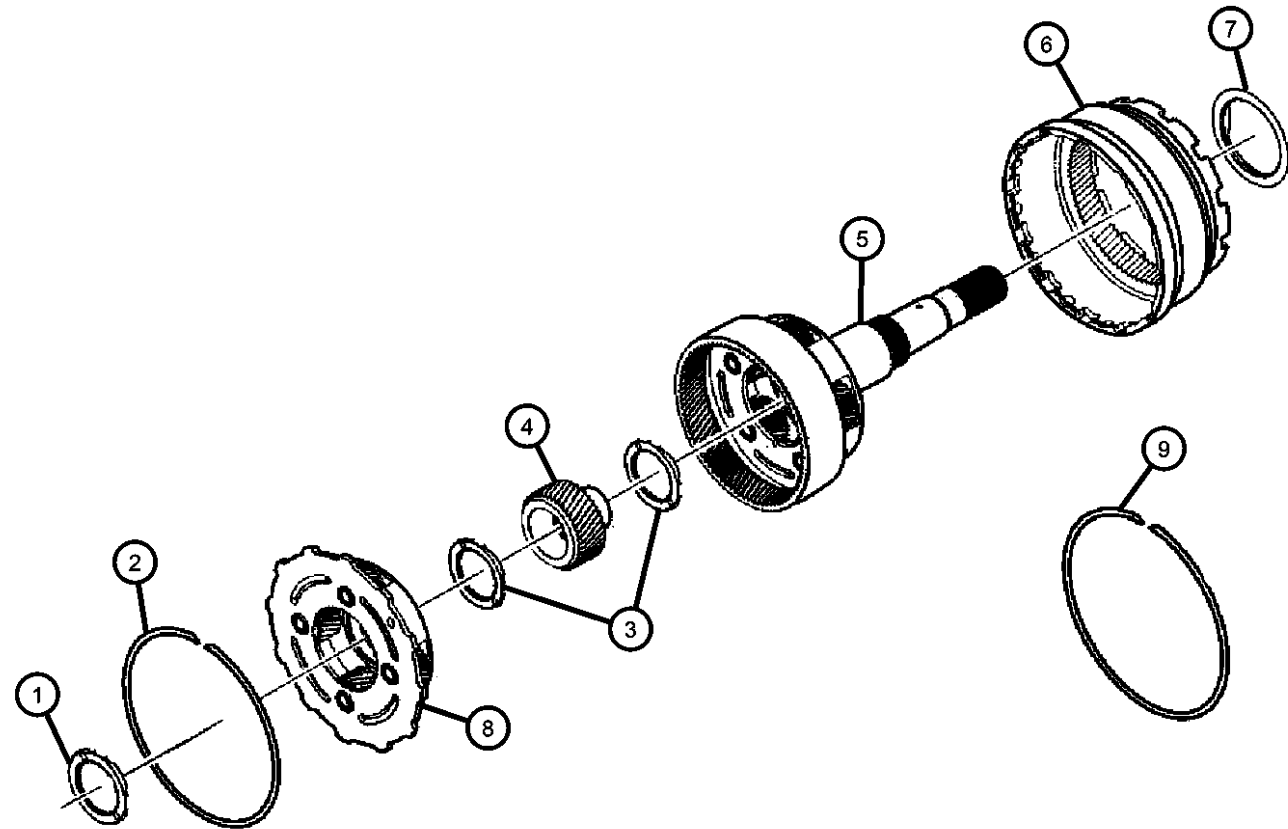
TRANSMISSION
DGQ = 5-Spd Automatic 5-45RFE Transmission
DGJ = 5-Speed Automatic MB Transmission

AR = use ase required - = Non illustrated part

2006 XK

**Input / Reverse Planetary
Figure 45RFE-450**

ITEM	PART NUMBER	QTY	LINE	SERIES	BODY	ENGINE	TRANS	TRIM	DESCRIPTION
		1	J			EZ0	DGQ		
		1	T			EZ0	DGQ		
8									CARRIER, Reverse Complete
	04799503AE	1	T			EV0	DGQ		
		1	J			EV0	DGQ		
		1	J			EZ0	DGQ		
		1	T			EZ0	DGQ		
9									SNAP RING, Transmission
	04799466	1	T			EV0	DGQ		
		1	J			EV0	DGQ		
		1	J			EZ0	DGQ		
		1	T			EZ0	DGQ		



NEW JEEP (XK)

SERIES LINE
H = HIGHLINE T = JEEP - 2WD
P = PREMIUM J = JEEP - 4WD

BODY
74 = SPORT UTILITY 4-DR

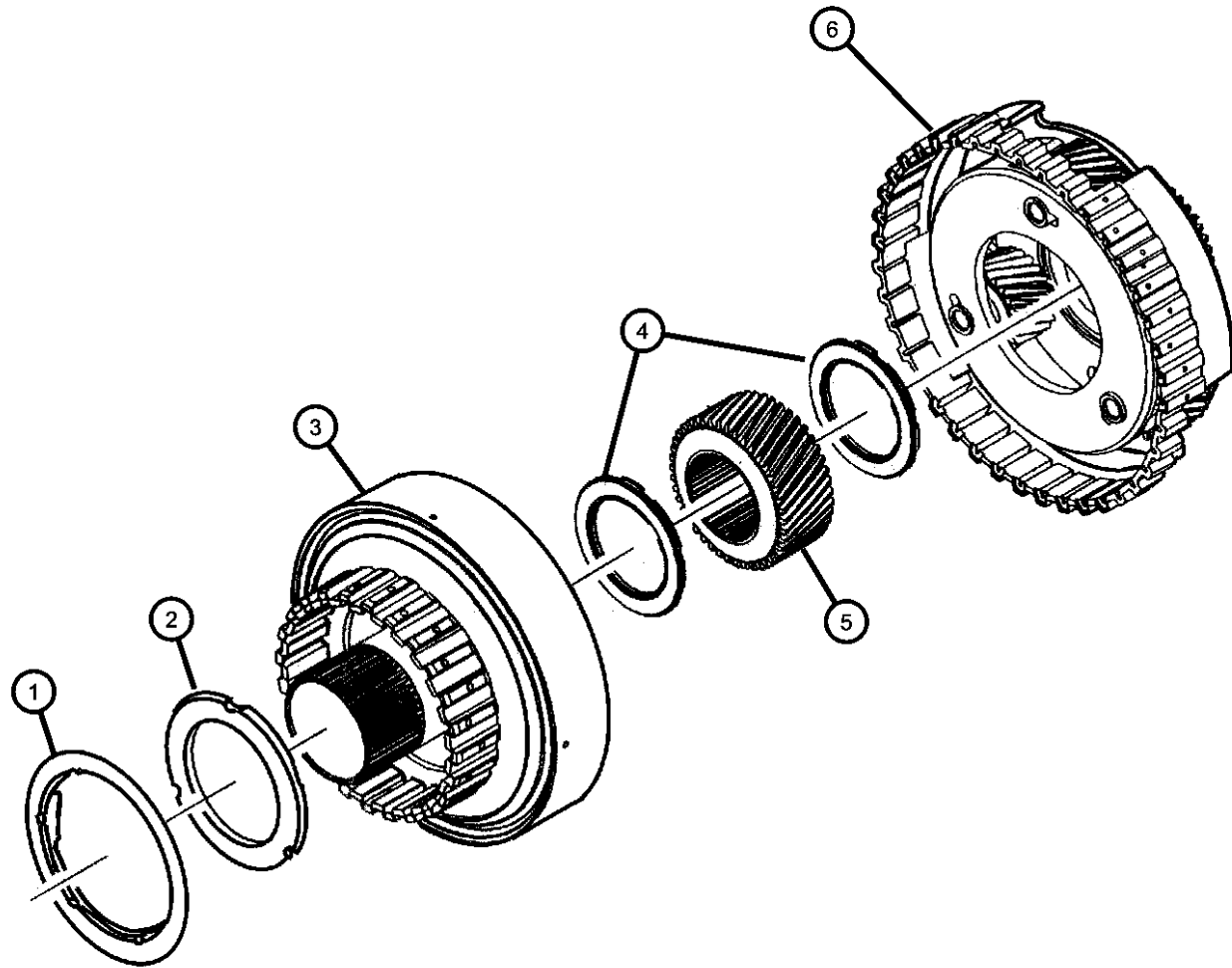
ENGINE
EKG = 3.7L V6 Engine
EVA = 4.7L V8 MPI Engine
EZB = 5.7L Hemi Multi
Displacement Engine

TRANSMISSION
DGQ = 5-Spd Automatic 5-45RFE
Transmission
DGJ = 5-Speed Automatic MB
Transmission

AR = use ase required - = Non illustrated part

2006 XK

**Reaction Annulus / Sun Gear
Figure 45RFE-460**



ITEM	PART NUMBER	QTY	LINE	SERIES	BODY	ENGINE	TRANS	TRIM	DESCRIPTION
NOTE: Sales Codes: [DGQ]=5 Speed Automatic Transmission - [5-45RFE] [EV0] = All 4.7L 8 Cylinder Engines [EZ0] = All 5.7L 8 Cylinder Engines									
1	04799459	1	T			EV0	DGQ		THRUST BEARING, Needle Roller
		1	J			EV0	DGQ		
		1	J			EZ0	DGQ		
		1	T			EZ0	DGQ		
2		1							THRUST WASHER, Planetary Carrier, PKG 05013092AA, (NOT SERVICED)
3	04799604	1	T			EV0	DGQ		GEAR, Annulus
		1	J			EV0	DGQ		
		1	J			EZ0	DGQ		
		1	T			EZ0	DGQ		
4	04799469	1	T			EV0	DGQ		THRUST BEARING, Needle Roller
		1	J			EV0	DGQ		
		1	T			EZ0	DGQ		
		1	J			EZ0	DGQ		
5	04799602	1	T			EV0	DGQ		GEAR, Reaction Sun
		1	J			EV0	DGQ		
		1	J			EZ0	DGQ		
		1	T			EZ0	DGQ		
6	04799619AB	1	T			EV0	DGQ		CARRIER, Reaction Complete
		1	J			EV0	DGQ		
		1	J			EZ0	DGQ		
		1	T			EZ0	DGQ		

NEW JEEP (XK)

SERIES LINE
H = HIGHLINE T = JEEP - 2WD
P = PREMIUM J = JEEP - 4WD

BODY
74 = SPORT UTILITY 4-DR

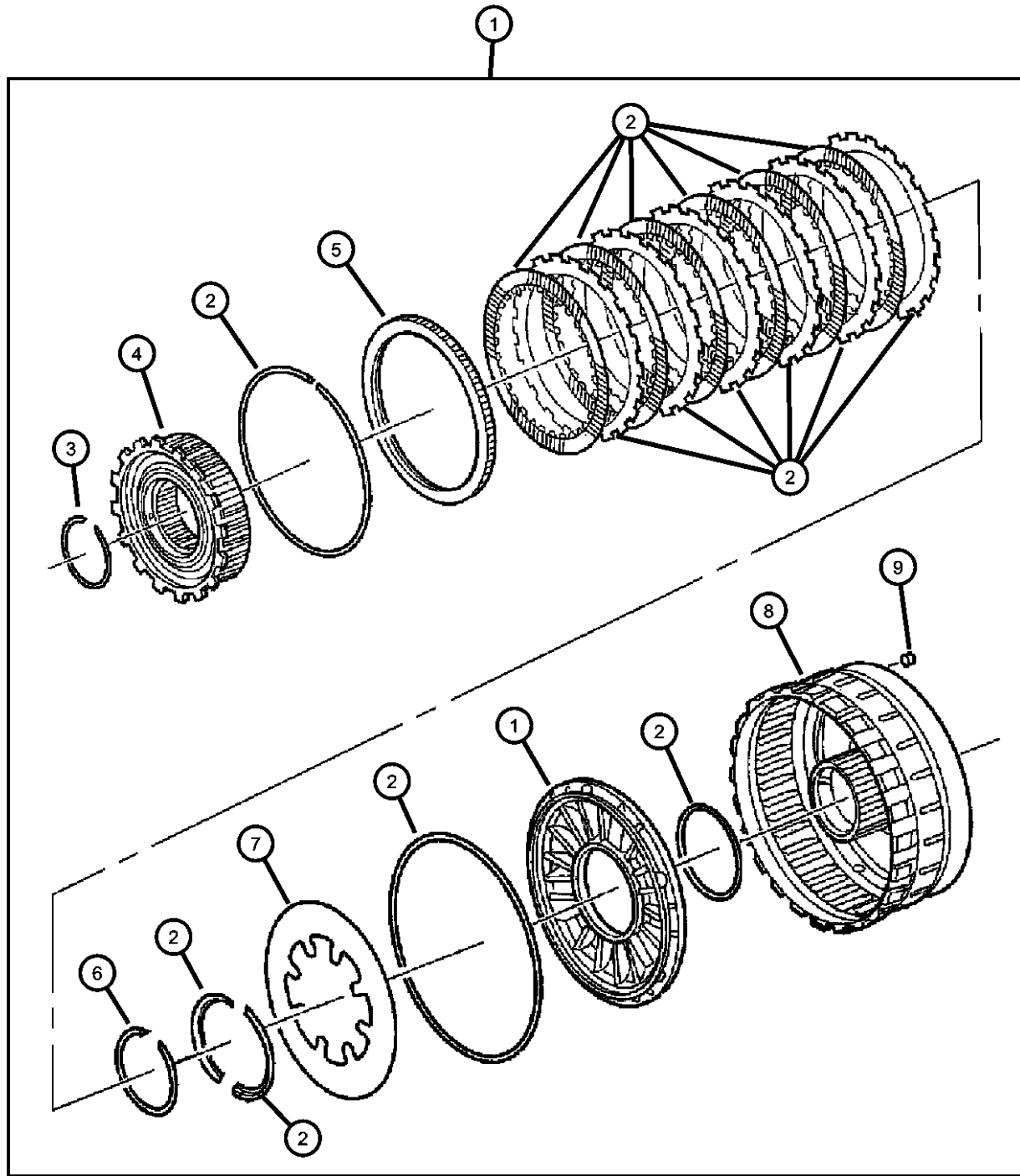
ENGINE
EKG = 3.7L V6 Engine
EVA = 4.7L V8 MPI Engine
EZB = 5.7L Hemi Multi Displacement Engine

TRANSMISSION
DGQ = 5-Spd Automatic 5-45RFE Transmission
DGJ = 5-Speed Automatic MB Transmission

AR = use ase required - = Non illustrated part

2006 XK

Low / Reverse Clutch
Figure 45RFE-470



ITEM	PART NUMBER	QTY	LINE	SERIES	BODY	ENGINE	TRANS	TRIM	DESCRIPTION
1	04799457AB	1	T			EVO	DGQ		CLUTCH, L/R Clutch
		1	J			EVO	DGQ		
	04799457AE	1	J			EZO	DGQ		
		1	T			EZO	DGQ		
2	05179008AA	1	T			EVO	DGQ		CLUTCH PACKAGE, Automatic Transmission, Low/Reverse
		1	J			EVO	DGQ		
		1	J			EZO	DGQ		
		1	T			EZO	DGQ		
3	04799863AA	1	T			EVO	DGQ		SNAP RING
		1	J			EVO	DGQ		
		1	J			EZO	DGQ		
		1	T			EZO	DGQ		
4	04799465	1	T			EVO	DGQ		CLUTCH, Overrunning
		1	J			EVO	DGQ		
		1	J			EZO	DGQ		
		1	T			EZO	DGQ		
5	04799667	1	T			EVO	DGQ		PLATE, Transmission Clutch Reaction
		1	J			EVO	DGQ		
		1	J			EZO	DGQ		
		1	T			EZO	DGQ		
6	04799863AA	1	T			EVO	DGQ		SNAP RING
		1	J			EVO	DGQ		
		1	J			EZO	DGQ		
		1	T			EZO	DGQ		

NOTE:

Sales Codes:

[DGQ]=5 Speed Automatic Transmission - [5-45RFE]

[EVO] = All 4.7L 8 Cylinder Engines

[EZO] = All 5.7L 8 Cylinder Engines

NEW JEEP (XK)

SERIES LINE

H = HIGHLINE T = JEEP - 2WD

P = PREMIUM J = JEEP - 4WD

BODY

74 = SPORT UTILITY 4-DR

ENGINE

EKG = 3.7L V6 Engine

EVA = 4.7L V8 MPI Engine

EZB = 5.7L Hemi Multi Displacement Engine

TRANSMISSION

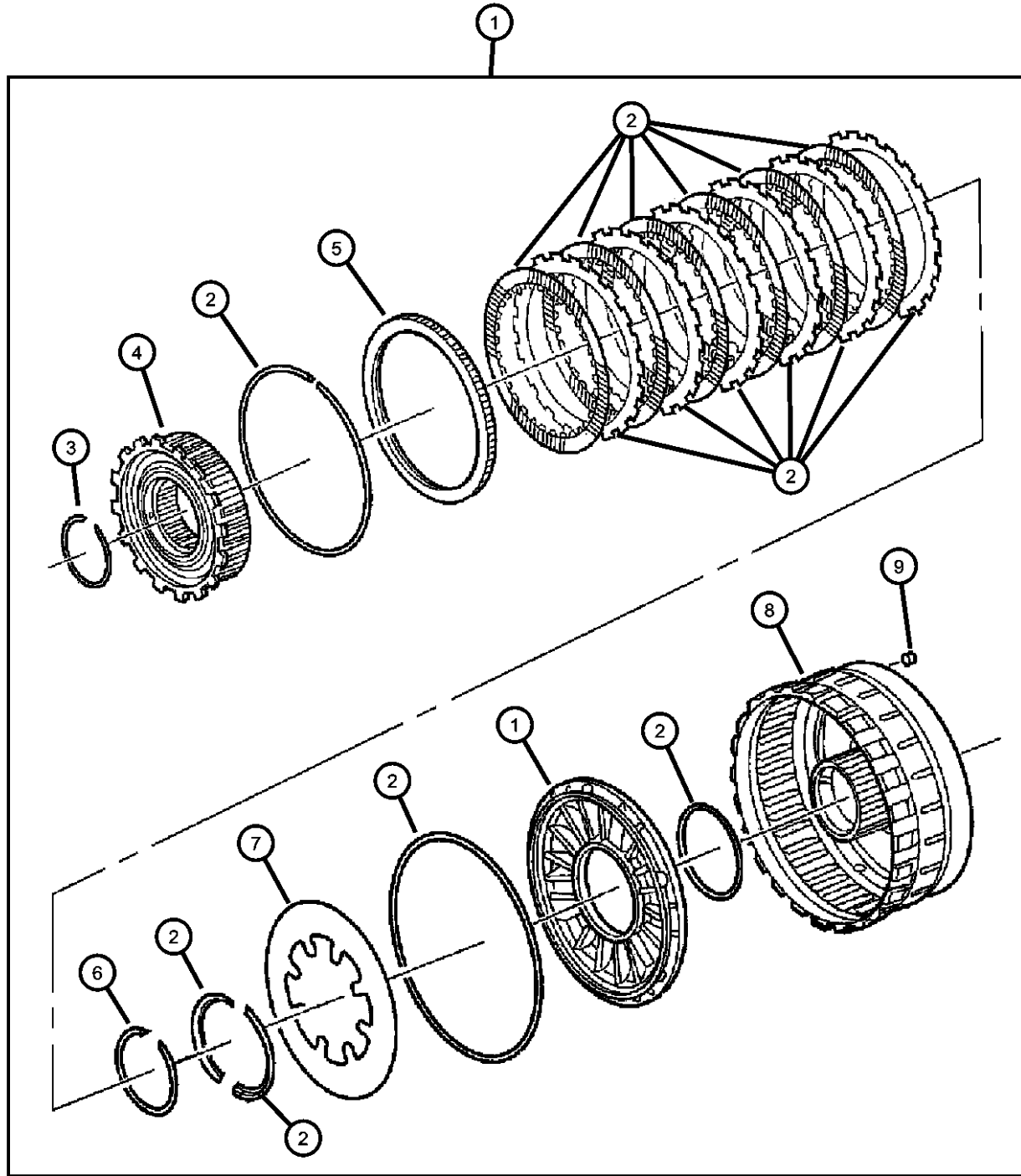
DGQ = 5-Spd Automatic 5-45RFE Transmission

DGJ = 5-Speed Automatic MB Transmission

AR = use ase required - = Non illustrated part

2006 XK

Low / Reverse Clutch
Figure 45RFE-470



ITEM	PART NUMBER	QTY	LINE	SERIES	BODY	ENGINE	TRANS	TRIM	DESCRIPTION
7									CLUTCH PACKAGE, Automatic Transmission, Low/Reverse
	05073003AA	1	T			EVO	DGQ		
		1	J			EVO	DGQ		
	05073003AB	1	J			EZO	DGQ		
		1	T			EZO	DGQ		
8									RETAINER, Transmission Input Clutch
	04799648	1	T			EVO	DGQ		
		1	J			EVO	DGQ		
		1	J			EZO	DGQ		
		1	T			EZO	DGQ		
9									BLEED ORIFICE, Transmission
	04799086	1	T			EVO	DGQ		
		1	J			EVO	DGQ		
		1	T			EZO	DGQ		
		1	J			EZO	DGQ		

NEW JEEP (XK)

SERIES LINE
H = HIGHLINE T = JEEP - 2WD
P = PREMIUM J = JEEP - 4WD

BODY
74 = SPORT UTILITY 4-DR

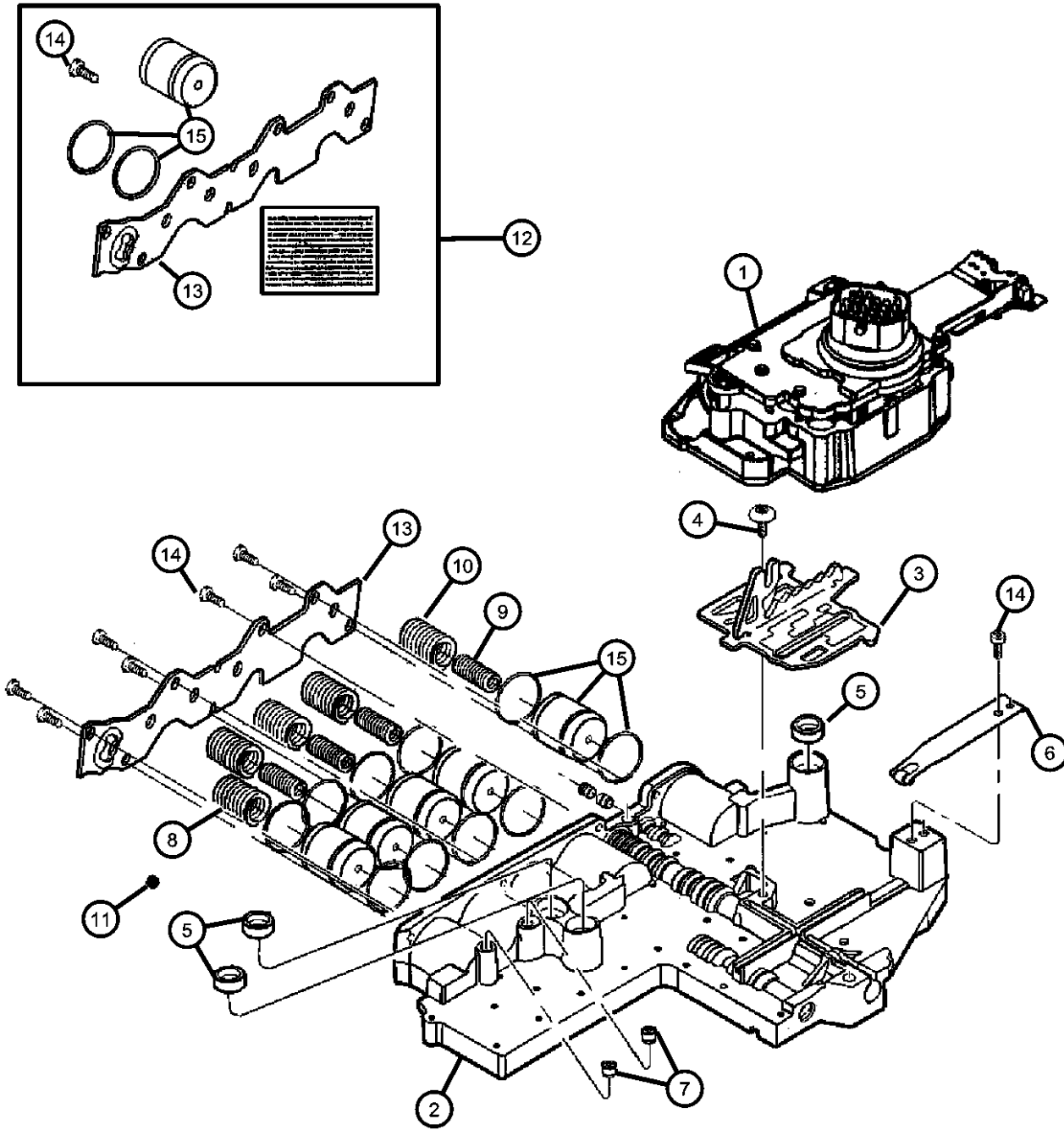
ENGINE
EKG = 3.7L V6 Engine
EVA = 4.7L V8 MPI Engine
EZB = 5.7L Hemi Multi Displacement Engine

TRANSMISSION
DGQ = 5-Spd Automatic 5-45RFE Transmission
DGJ = 5-Speed Automatic MB Transmission

AR = use ase required - = Non illustrated part

2006 XK

**Valve Body
Figure 45RFE-710**



ITEM	PART NUMBER	QTY	LINE	SERIES	BODY	ENGINE	TRANS	TRIM	DESCRIPTION
NOTE: Sales Codes: [DGQ]=5 Speed Automatic Transmission - [5-45RFE] [EV0] = All 4.7L 8 Cylinder Engines [EZ0] = All 5.7L 8 Cylinder Engines									
1									SOLENOID PACKAGE, Valve Body
	05170877AA	1	T			EV0	DGQ		
		1	T			EZ0	DGQ		
		1	J			EV0	DGQ		
		1	J			EZ0	DGQ		
2									VALVE BODY, Transfer Plate and Valve
	52119450AB	1	T			EV0	DGQ		
		1	T			EZ0	DGQ		
		1	J			EV0	DGQ		
		1	J			EZ0	DGQ		
3									PLATE, Manual Valve Cam
	04799654AC	1	T			EV0	DGQ		
		1	J			EV0	DGQ		
		1	J			EZ0	DGQ		
		1	T			EZ0	DGQ		
4									SCREW, Shoulder/Truss, M5x.8x12.5
	06508087AA	1	T			EV0	DGQ		
		1	J			EV0	DGQ		
		1	J			EZ0	DGQ		
		1	T			EZ0	DGQ		
5									SEAL, Clutch Feed
	04799778	3	T			EV0	DGQ		
		3	J			EV0	DGQ		
		3	J			EZ0	DGQ		
		3	T			EZ0	DGQ		
6									DETENT, Valve Body
	52119501AA	1	T			EV0	DGQ		
		1	J			EV0	DGQ		
		1	J			EZ0	DGQ		
		1	T			EZ0	DGQ		

NEW JEEP (XK)

SERIES LINE
H = HIGHLINE T = JEEP - 2WD
P = PREMIUM J = JEEP - 4WD

BODY
74 = SPORT UTILITY 4-DR

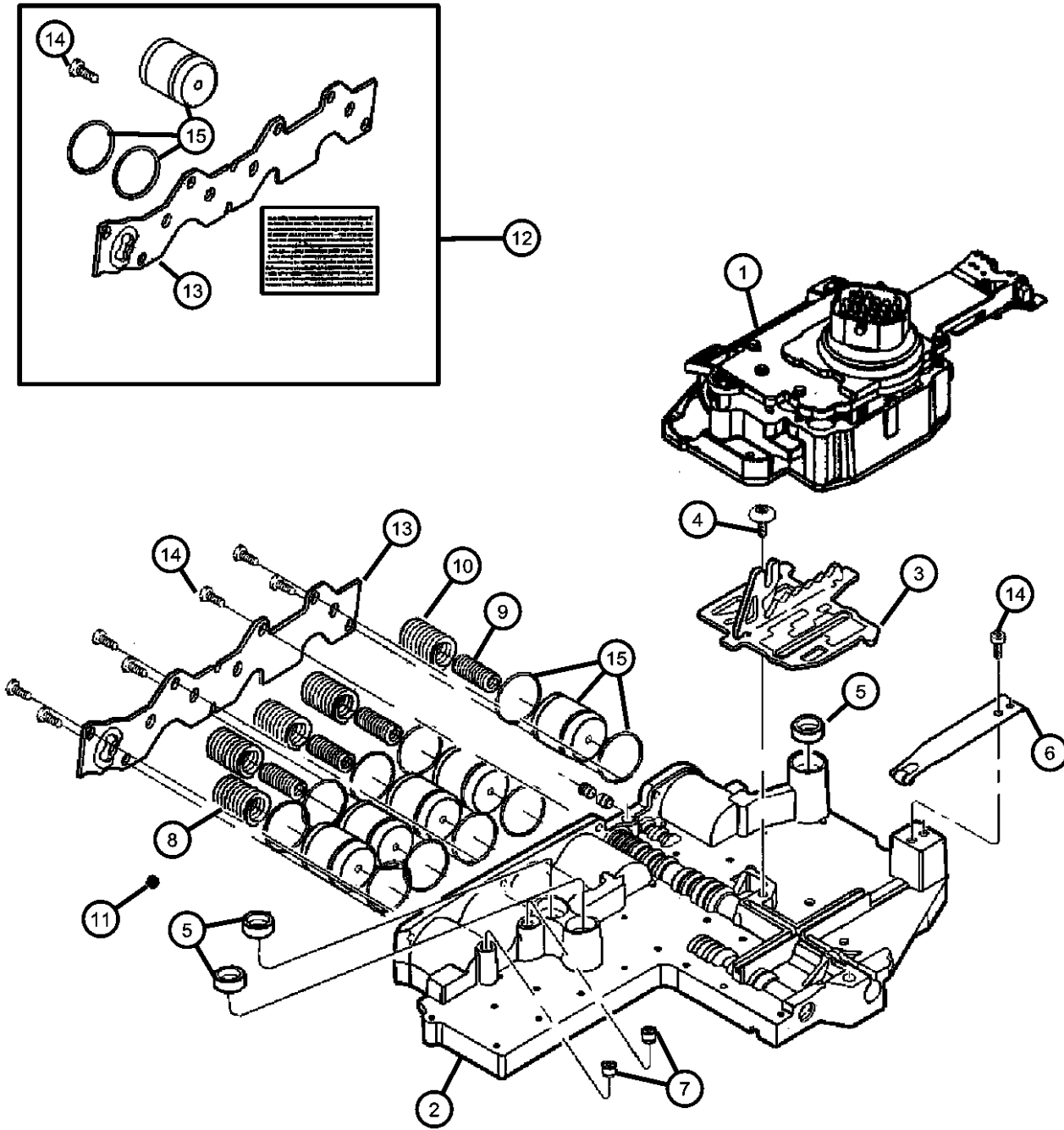
ENGINE
EKG = 3.7L V6 Engine
EVA = 4.7L V8 MPI Engine
EZB = 5.7L Hemi Multi Displacement Engine

TRANSMISSION
DGQ = 5-Spd Automatic 5-45RFE Transmission
DGJ = 5-Speed Automatic MB Transmission

AR = use ase required - = Non illustrated part

2006 XK

Valve Body
Figure 45RFE-710



ITEM	PART NUMBER	QTY	LINE	SERIES	BODY	ENGINE	TRANS	TRIM	DESCRIPTION
7	04799086	1	T			EVO	DGQ		BLEED ORIFICE, Transmission
		1	J			EVO	DGQ		
		1	T			EZO	DGQ		
		1	J			EZO	DGQ		
8	04471880	5	T			EVO	DGQ		SPRING, Accumulator
		5	J			EVO	DGQ		
		5	J			EZO	DGQ		
		5	T			EZO	DGQ		
9	04471880	5	T			EVO	DGQ		SPRING, Accumulator
		5	J			EVO	DGQ		
		5	J			EZO	DGQ		
		5	T			EZO	DGQ		
10	04567575	4	T			EVO	DGQ		SPRING, Accumulator
		4	J			EVO	DGQ		
		4	J			EZO	DGQ		
		4	T			EZO	DGQ		
11	52118261	7	T			EVO	DGQ		BALL, Check
		7	J			EVO	DGQ		
		7	J			EZO	DGQ		
		7	T			EZO	DGQ		
12	05174633AA	1	T			EVO	DGQ		ACCUMULATOR KIT, Accumulator Cover
		1	T			EZO	DGQ		
		1	J			EVO	DGQ		
		1	J			EZO	DGQ		
13	04799598AB	1	T			EVO	DGQ		COVER, Accumulator
		1	J			EVO	DGQ		
		1	J			EZO	DGQ		

NEW JEEP (XK)

SERIES LINE
H = HIGHLINE T = JEEP - 2WD
P = PREMIUM J = JEEP - 4WD

BODY
74 = SPORT UTILITY 4-DR

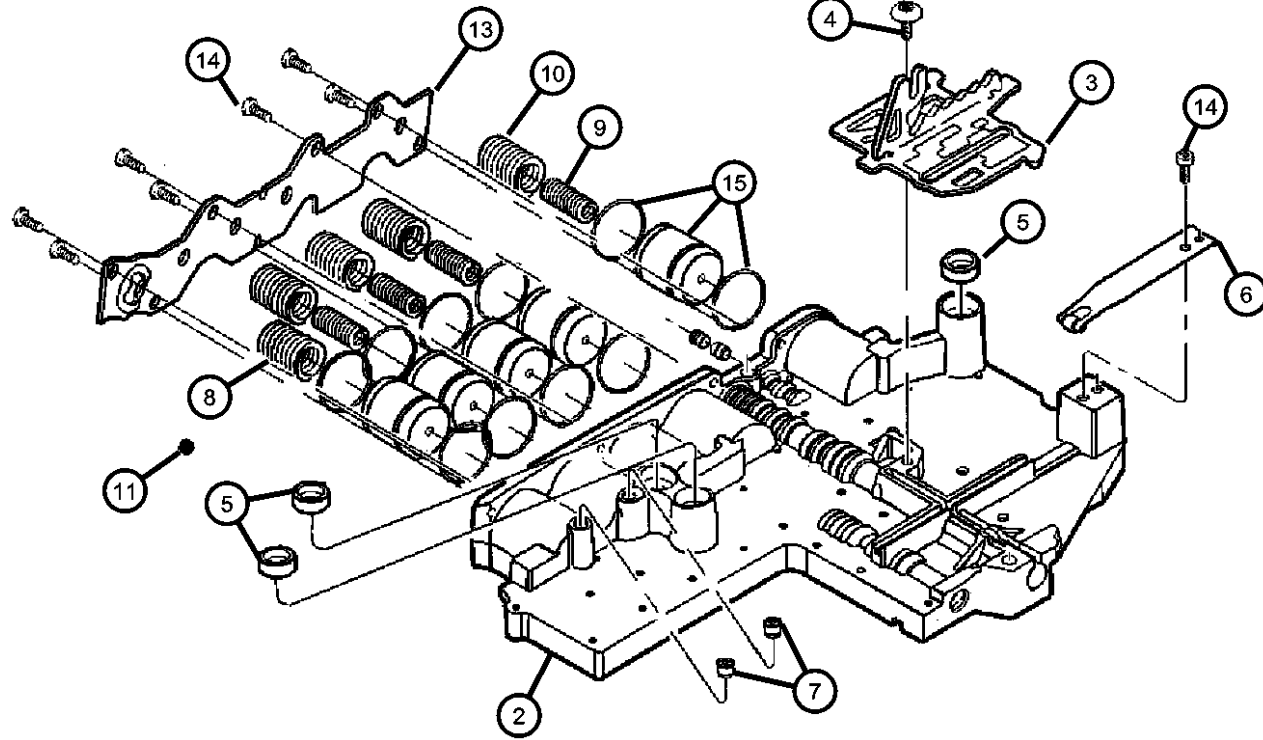
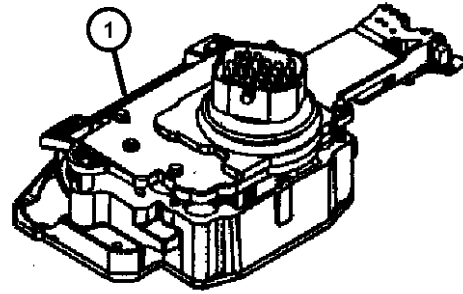
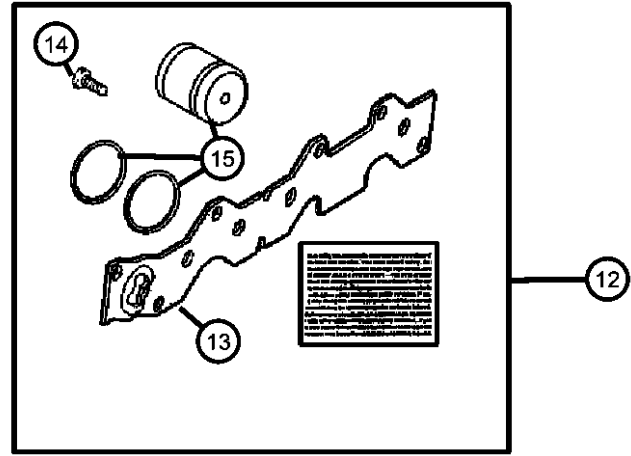
ENGINE
EKG = 3.7L V6 Engine
EVA = 4.7L V8 MPI Engine
EZB = 5.7L Hemi Multi Displacement Engine

TRANSMISSION
DGQ = 5-Spd Automatic 5-45RFE Transmission
DGJ = 5-Speed Automatic MB Transmission

AR = use ase required - = Non illustrated part

2006 XK

Valve Body
Figure 45RFE-710



ITEM	PART NUMBER	QTY	LINE	SERIES	BODY	ENGINE	TRANS	TRIM	DESCRIPTION
14		1	T			EZ0	DGQ		SCREW, Pan Head, M5 x 0.8 x 12.60
	06503232	1	T			EVO	DGQ		
		1	J			EVO	DGQ		
		1	T			EZ0	DGQ		
		1	J			EZ0	DGQ		
15		5	T			EVO	DGQ		PISTON, Accumulator Seals Bonded To Pistons
	04446620AC	5	T			EZ0	DGQ		
		5	T			EZ0	DGQ		
		5	J			EVO	DGQ		
		5	J			EZ0	DGQ		

NEW JEEP (XK)

SERIES LINE
H = HIGHLINE T = JEEP - 2WD
P = PREMIUM J = JEEP - 4WD

BODY
74 = SPORT UTILITY 4-DR

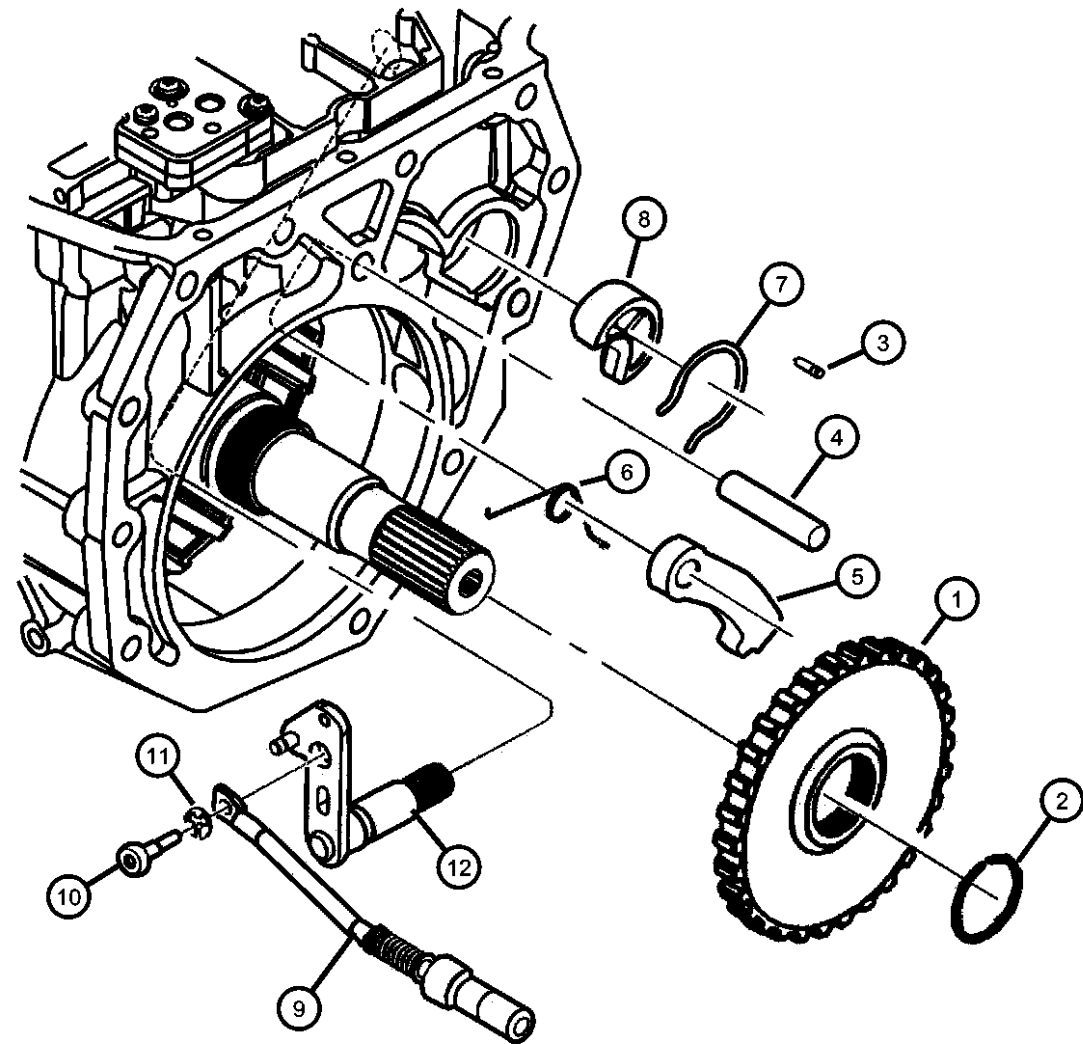
ENGINE
EKG = 3.7L V6 Engine
EVA = 4.7L V8 MPI Engine
EZB = 5.7L Hemi Multi Displacement Engine

TRANSMISSION
DGQ = 5-Spd Automatic 5-45RFE Transmission
DGJ = 5-Speed Automatic MB Transmission

AR = use ase required - = Non illustrated part

2006 XK

**Parking Sprag
Figure 45RFE-720**



ITEM	PART NUMBER	QTY	LINE	SERIES	BODY	ENGINE	TRANS	TRIM	DESCRIPTION
1									SPRAG, Transmission Parking
	04799493AB	1	T			EVO	DGQ		
		1	J			EVO	DGQ		
		1	J			EZO	DGQ		
		1	T			EZO	DGQ		
2									SNAP RING, Transmission
	04799704	1	T			EVO	DGQ		
		1	J			EVO	DGQ		
		1	J			EZO	DGQ		
		1	T			EZO	DGQ		
3									PIN
	00456636	1	T			EVO	DGQ		
		1	J			EVO	DGQ		
		1	J			EZO	DGQ		
		1	T			EZO	DGQ		
4									SHAFT, Parking Pawl
	04799450	1	T			EVO	DGQ		
		1	J			EVO	DGQ		
		1	J			EZO	DGQ		
		1	T			EZO	DGQ		
5									PAWL AND ROD KIT
	05166452AA	1	T			EVO	DGQ		
		1	J			EVO	DGQ		
		1	J			EZO	DGQ		
		1	T			EZO	DGQ		
6									SPRING, Torsion
	04799451	1	T			EVO	DGQ		
		1	J			EVO	DGQ		
		1	T			EZO	DGQ		
		1	J			EZO	DGQ		
7									SNAP RING

NEW JEEP (XK)

SERIES LINE
H = HIGHLINE T = JEEP - 2WD
P = PREMIUM J = JEEP - 4WD

BODY
74 = SPORT UTILITY 4-DR

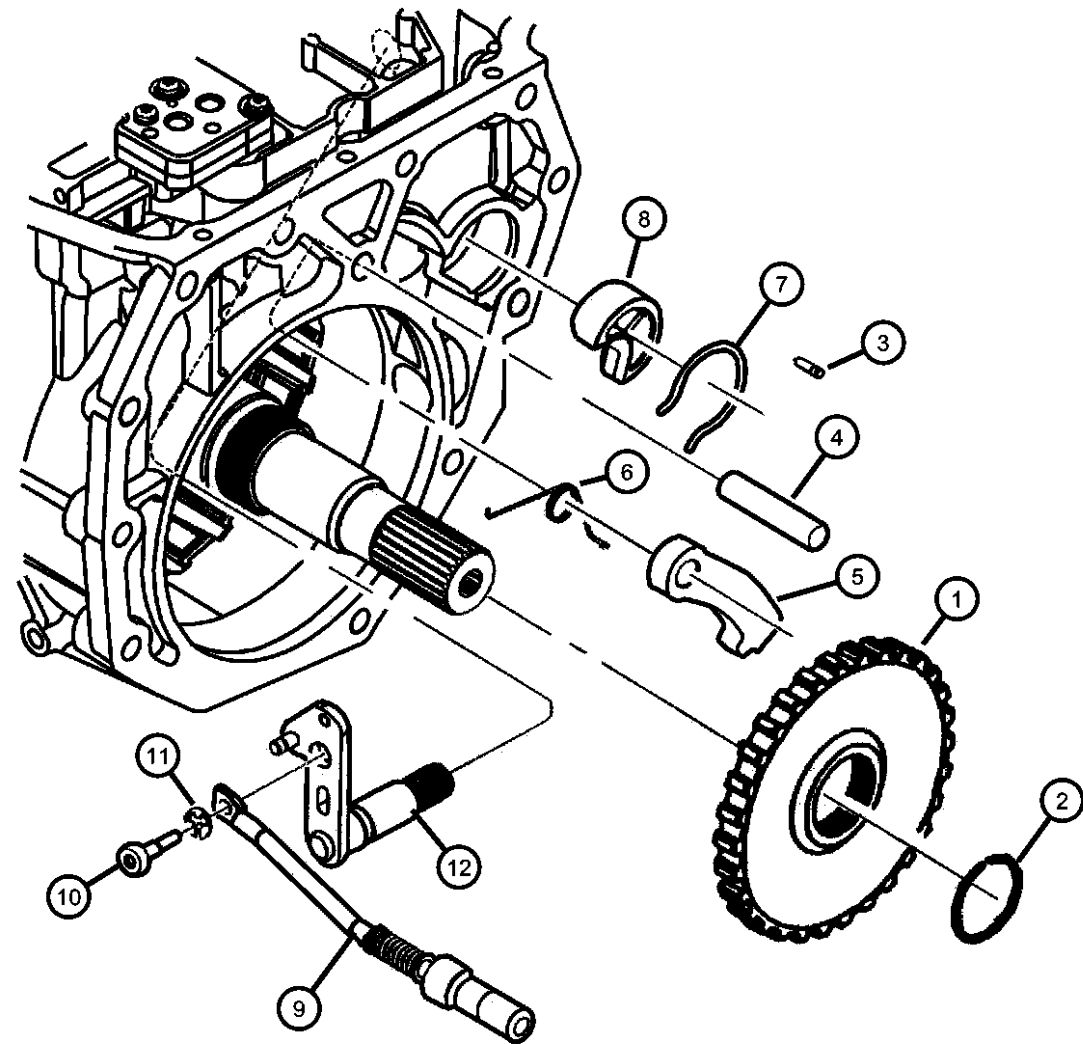
ENGINE
EKG = 3.7L V6 Engine
EVA = 4.7L V8 MPI Engine
EZB = 5.7L Hemi Multi Displacement Engine

TRANSMISSION
DGQ = 5-Spd Automatic 5-45RFE Transmission
DGJ = 5-Speed Automatic MB Transmission

AR = use ase required - = Non illustrated part

2006 XK

**Parking Sprag
Figure 45RFE-720**



ITEM	PART NUMBER	QTY	LINE	SERIES	BODY	ENGINE	TRANS	TRIM	DESCRIPTION
	04799313	1	T			EVO	DGQ		
		1	J			EVO	DGQ		
		1	T			EZO	DGQ		
		1	J			EZO	DGQ		
8									GUIDE, Parking Sprag Pawl
	04799774AB	1	T			EVO	DGQ		
		1	J			EVO	DGQ		
		1	J			EZO	DGQ		
		1	T			EZO	DGQ		
9									PAWL AND ROD KIT
	05166452AA	1	T			EVO	DGQ		
		1	T			EZO	DGQ		
		1	J			EVO	DGQ		
		1	J			EZO	DGQ		
10									SCREW, M6x1x30
	06504548	1	T			EVO	DGQ		
		1	J			EVO	DGQ		
		1	T			EZO	DGQ		
		1	J			EZO	DGQ		
11									SNAP RING, Rod
	06035256	1	T			EVO	DGQ		
		1	J			EVO	DGQ		
		1	J			EZO	DGQ		
		1	T			EZO	DGQ		
12									LEVER, Shift Shaft
	04799453	1	T			EVO	DGQ		
		1	J			EVO	DGQ		
		1	T			EZO	DGQ		
		1	J			EZO	DGQ		

NEW JEEP (XK)

SERIES LINE
H = HIGHLINE T = JEEP - 2WD
P = PREMIUM J = JEEP - 4WD

BODY
74 = SPORT UTILITY 4-DR

ENGINE
EKG = 3.7L V6 Engine
EVA = 4.7L V8 MPI Engine
EZB = 5.7L Hemi Multi
Displacement Engine

TRANSMISSION
DGQ = 5-Spd Automatic 5-45RFE
Transmission
DGJ = 5-Speed Automatic MB
Transmission

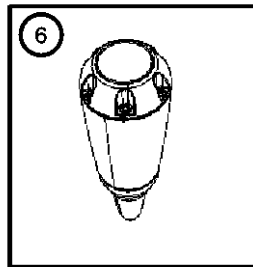
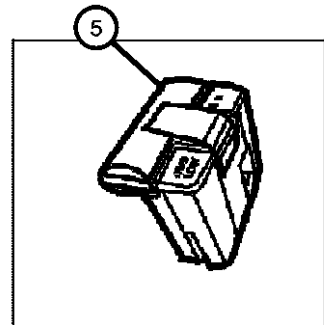
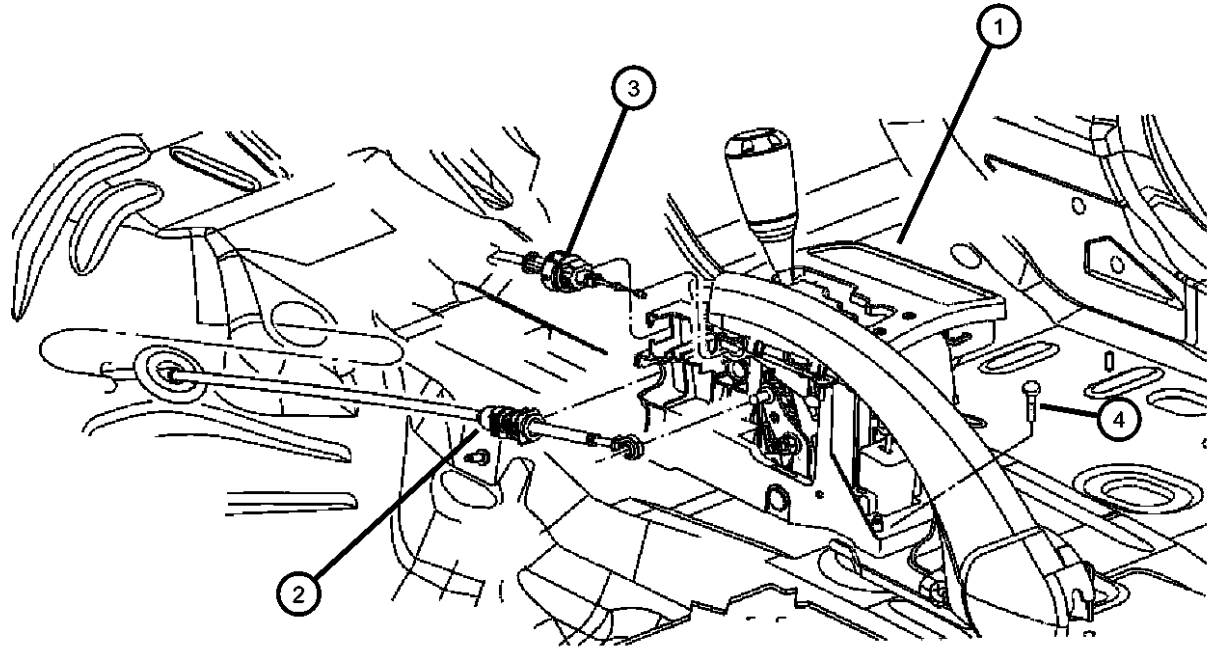
AR = use ase required - = Non illustrated part

2006 XK

Gearshift Control
Figure 45RFE-1210

ITEM	PART NUMBER	QTY	LINE	SERIES	BODY	ENGINE	TRANS	TRIM	DESCRIPTION
------	-------------	-----	------	--------	------	--------	-------	------	-------------

NOTE:
 Sales Codes:
 [DGQ]=5 Speed Automatic Transmission - [5-45RFE]
 [DG0]=All Automatic Transmissions
 [EK0]=All 3.7L V6 Engines
 [EV0]=All 4.7L V8 Engines
 [EZ0]=All 5.7L V8 Engines



1									HOUSING AND LEVER, Shifter
	52124000AD	1	T				DGQ		
	52124001AE	1	J				DGQ		
2	52109667AD	1				EK0, EV0, EZ0	DG0		CABLE, Gearshift Control
3	52109666AD	1					DG0		CABLE, Park Interlock
4	06505846AA	3					DG0		BOLT, Hex Flange Head
5	56050139AG	1	J				DGQ		SWITCH, Transfer Case
6									HANDLE, Gearshift
	52090499AC	1	T				DGQ		
		1	J				DGQ		

NEW JEEP (XK)

SERIES LINE
 H = HIGHLINE T = JEEP - 2WD
 P = PREMIUM J = JEEP - 4WD

BODY
 74 = SPORT UTILITY 4-DR

ENGINE
 EKG = 3.7L V6 Engine
 EVA = 4.7L V8 MPI Engine
 EZB = 5.7L Hemi Multi Displacement Engine

TRANSMISSION
 DGQ = 5-Spd Automatic 5-45RFE Transmission
 DGJ = 5-Speed Automatic MB Transmission

AR = use ase required - = Non illustrated part

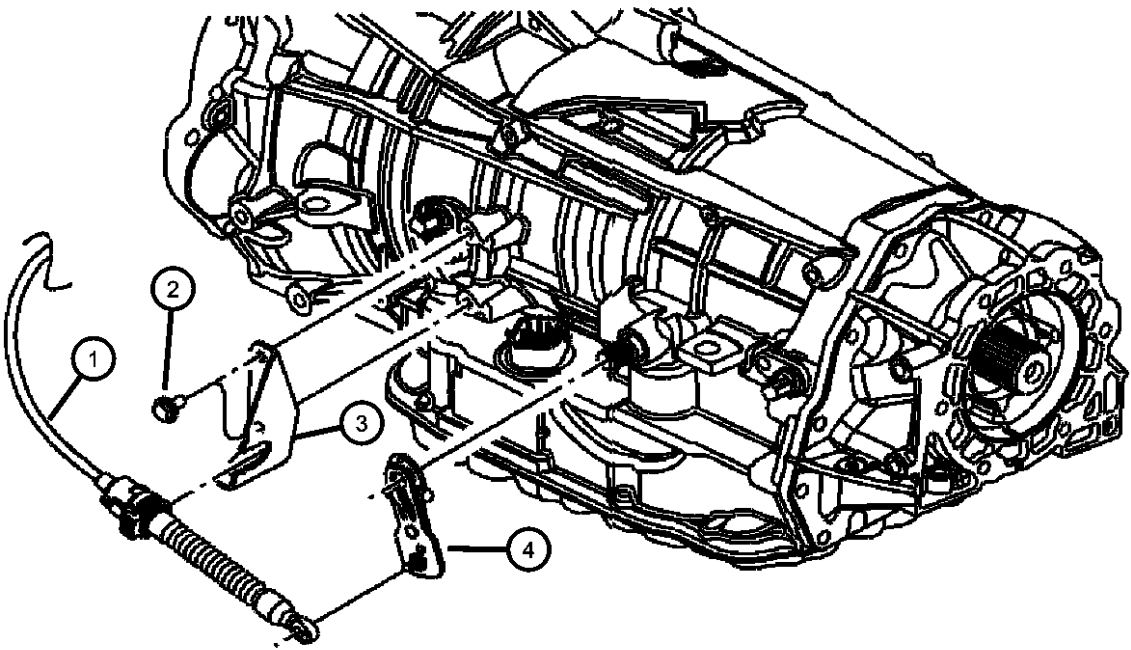
2006 XK

Shift Lever & Bracket
Figure 45RFE-1220

ITEM	PART NUMBER	QTY	LINE	SERIES	BODY	ENGINE	TRANS	TRIM	DESCRIPTION
------	-------------	-----	------	--------	------	--------	-------	------	-------------

NOTE:
 Sales Codes:
 [DGQ]=5 Speed Automatic Transmission - [5-45RFE]
 [DG0]=All Automatic Transmissions
 [EK0]=All 3.7L V6 Engines
 [EV0]=All 4.7L V8 Engines
 [EZ0]=All 5.7L V8 Engines

1	52109667AD	1				EK0, EV0, EZ0	DG0		CABLE, Gearshift Control
2	06101758	2					DG0		SCREW, Hex Head, M8x1.25x20
3	52104371AG	1					DGQ		BRACKET, Shift Cable
4	52109706AB	1					DGQ		LEVER, Manual Control



NEW JEEP (XK)

SERIES	LINE	BODY	ENGINE	TRANSMISSION
H = HIGHLINE	T = JEEP - 2WD	74 = SPORT UTILITY 4-DR	EKG = 3.7L V6 Engine	DGQ = 5-Spd Automatic 5-45RFE Transmission
P = PREMIUM	J = JEEP - 4WD		EVA = 4.7L V8 MPI Engine	DGJ = 5-Speed Automatic MB Transmission
			EZB = 5.7L Hemi Multi Displacement Engine	

AR = use ase required - = Non illustrated part

2006 XK

LR Clutch
Figure 45RFE-1310

LR CLUTCH PACKAGE 05013091aa

	D-ring, external (L/R piston outer)
	D-ring, internal (L/R piston inner)
(6)	Plate, clutch separator (1.74mm thk)
(6)	Disc assy, clutch (L/R)
	Snap ring, flat (1.5/1.6 thk)
	Snap ring, flat (2.03/2.13 thk)
	Snap ring, flat (2.54/2.68 thk)
(2)	Retainer, c-clip

①

ITEM	PART NUMBER	QTY	LINE	SERIES	BODY	ENGINE	TRANS	TRIM	DESCRIPTION
------	-------------	-----	------	--------	------	--------	-------	------	-------------

NOTE:
Sales Codes:
[DGQ]=5 Speed Automatic Transmission - [5-45RFE]
[EV0] = All 4.7L 8 Cylinder Engines
[EZ0] = All 5.7L 8 Cylinder Engines

1									CLUTCH PACKAGE, Automatic Transmission, Low/Reverse
	05073003AA	1	T			EV0	DGQ		
		1	T			EZ0	DGQ		
		1	J			EV0	DGQ		
		1	J			EZ0	DGQ		
-2									CLUTCH, L/R Clutch
	04799457AB	1	T			EV0	DGQ		
		1	T			EZ0	DGQ		
		1	J			EV0	DGQ		
		1	J			EZ0	DGQ		

NEW JEEP (XK)

SERIES LINE
H = HIGHLINE T = JEEP - 2WD
P = PREMIUM J = JEEP - 4WD

BODY
74 = SPORT UTILITY 4-DR

ENGINE
EKG = 3.7L V6 Engine
EVA = 4.7L V8 MPI Engine
EZB = 5.7L Hemi Multi Displacement Engine

TRANSMISSION
DGQ = 5-Spd Automatic 5-45RFE Transmission
DGJ = 5-Speed Automatic MB Transmission

AR = use ase required - = Non illustrated part

2006 XK

**2 & 4 Clutch
Figure 45RFE-1320**

ITEM	PART NUMBER	QTY	LINE	SERIES	BODY	ENGINE	TRANS	TRIM	DESCRIPTION
------	-------------	-----	------	--------	------	--------	-------	------	-------------

NOTE:
Sales Codes:
[DGQ]=5 Speed Automatic Transmission - [5-45RFE]
[EV0] = All 4.7L 8 Cylinder Engines
[EZ0] = All 5.7L 8 Cylinder Engines

2&4 CLUTCH PACKAGE 05013087aa



(2)	Disc assy, clutch (2nd clutch)
(2)	Plate, clutch separator
	D-ring, external (2nd outer)
	D-ring, internal (2nd inner)
	D-ring, internal (4th outer)
	D-ring, internal (4th inner)
(3)	Plate, clutch separator (4th clutch)
(3)	Disc assy, clutch (4th clutch)
	Snap ring (4th, 1.74/1.84 thk)
	Snap ring (4th, 2.15/2.25 thk)
	Snap ring (4th, 2.56/2.66 thk)

1									CLUTCH PACKAGE, Automatic Transmission, 2/4
	05013087AC	1	T			EV0	DGQ		
		1	T			EZ0	DGQ		
		1	J			EV0	DGQ		
		1	J			EZ0	DGQ		
-2									PLATE, Transmission Clutch Reaction
	04799687AB	1	T			EV0	DGQ		
		1	J			EV0	DGQ		
		1	J			EZ0	DGQ		
		1	T			EZ0	DGQ		

NEW JEEP (XK)

SERIES LINE
H = HIGHLINE T = JEEP - 2WD
P = PREMIUM J = JEEP - 4WD

BODY
74 = SPORT UTILITY 4-DR

ENGINE
EKG = 3.7L V6 Engine
EVA = 4.7L V8 MPI Engine
EZB = 5.7L Hemi Multi Displacement Engine

TRANSMISSION
DGQ = 5-Spd Automatic 5-45RFE Transmission
DGJ = 5-Speed Automatic MB Transmission

AR = use ase required - = Non illustrated part

2006 XK

Input Clutch Plate
Figure 45RFE-1330

SELECTIVE THRUST PLATES **05013093aa**
INPUT CLUTCH THRUST PLATE PKG

1

Thrust plate, input clutc 1.52 / 1.61
Thrust plate, input clutc 1.66 / 1.75
Thrust plate, input clutc 1.80 / 1.89
Thrust plate, input clutc 1.94 / 2.03
Thrust plate, input clutc 2.08 / 2.17
Thrust plate, input clutc 2.22 / 2.31
Thrust plate, input clutc 2.36 / 2.45
Thrust plate, input clutc 2.50 / 2.59
Thrust plate, input clutc 2.64 / 2.73
Thrust plate, input clutc 2.78 / 2.87
Thrust plate, input clutc 2.92 / 3.01
Thrust plate, input clutc 3.06 / 3.15
Thrust plate, input clutc 3.20 / 3.29
Thrust plate, input clutc 3.34 / 3.43
Thrust plate, input clutc 3.62 / 3.71

ITEM	PART NUMBER	QTY	LINE	SERIES	BODY	ENGINE	TRANS	TRIM	DESCRIPTION
------	-------------	-----	------	--------	------	--------	-------	------	-------------

NOTE:

Sales Codes:

[DGQ]=5 Speed Automatic Transmission - [5-45RFE]

[EV0] = All 4.7L 8 Cylinder Engines

[EZ0] = All 5.7L 8 Cylinder Engines

1

05013093AA	1	T				EV0	DGQ		
	1	T				EZ0	DGQ		
	1	J				EV0	DGQ		
	1	J				EZ0	DGQ		

PLATE PACKAGE, Input Clutch Thrust

NEW JEEP (XK)

SERIES LINE
H = HIGHLINE T = JEEP - 2WD
P = PREMIUM J = JEEP - 4WD

BODY
74 = SPORT UTILITY 4-DR

ENGINE
EKG = 3.7L V6 Engine
EVA = 4.7L V8 MPI Engine
EZB = 5.7L Hemi Multi Displacement Engine

TRANSMISSION
DGQ = 5-Spd Automatic 5-45RFE Transmission
DGJ = 5-Speed Automatic MB Transmission

AR = use ase required - = Non illustrated part

**Overhaul
Figure 45RFE-1340**

ITEM	PART NUMBER	QTY	LINE	SERIES	BODY	ENGINE	TRANS	TRIM	DESCRIPTION
------	-------------	-----	------	--------	------	--------	-------	------	-------------

O/H seal/gasket package 05014221ac

①

	2&4 clutch package								
	Input clutch package								
	L/R clutch package								
	Sump filter & seal package								
	Cooler filter								
	fill tube seal								
	Frt pmp cover o-ring/seal assy								
	Rotating shaft seal,pmp hsg								
	Adapter seal, 4x4								
	Extension seal,4x2								
	Manual lever seal								
(2)	Speed sensor seal								
	Reaction supt ring seal								
	Rev O/D clutch filter								
(10)	Accumulator ring seal								
(3)	Valve body seal								
	Check valve o-ring								
	Solenoid insulator seal								
	T/C seal								

NOTE:

Sales Codes:

[DGQ]=5 Speed Automatic Transmission - [5-45RFE]

[EV0] = All 4.7L 8 Cylinder Engines

[EZ0] = All 5.7L 8 Cylinder Engines

1

05014221AJ	1	T				EV0	DGQ	
	1	T				EZ0	DGQ	
	1	J				EV0	DGQ	
	1	J				EZ0	DGQ	

OVERHAUL PACKAGE,
Transmission

NEW JEEP (XK)

SERIES LINE
H = HIGHLINE T = JEEP - 2WD
P = PREMIUM J = JEEP - 4WD

BODY
74 = SPORT UTILITY 4-DR

ENGINE
EKG = 3.7L V6 Engine
EVA = 4.7L V8 MPI Engine
EZB = 5.7L Hemi Multi Displacement Engine

TRANSMISSION
DGQ = 5-Spd Automatic 5-45RFE Transmission
DGJ = 5-Speed Automatic MB Transmission

AR = use ase required - = Non illustrated part

2006 XK

**Input Clutch
Figure 45RFE-1350**

INPUT CLUTCH PACKAGE 05013090aa

	O-ring, large (2.62mm x 79.84 ID,gm)
	O-ring, small (2.62mm x 70.56 ID,red)
(2)	Seal, internal lip
(2)	Ring seal, I-shaft
	O-ring, piston inner (2.62mm x 93.54 ID)
(5)	Plate, clutch separator (1.74mm thk)
(4)	Disc assy, clutch (u/d clutch)
(4)	Disc assy, clutch (o/d clutch)
(3)	PLate, clutch separator (2.21mm thk, O/D)
(2)	Disc assy, clutch (rev clutch)
	Snap ring,tapered, internal butterfly end
	Snap ring, flat (1.5/1.6 thk)
	Snap ring, flat (1.80/1.90 thk)
	Snap ring, flat (2.15/2.25 thk)
	Piston & seal, underdrive
	Piston & seal, underdrive balance



ITEM	PART NUMBER	QTY	LINE	SERIES	BODY	ENGINE	TRANS	TRIM	DESCRIPTION
------	-------------	-----	------	--------	------	--------	-------	------	-------------

NOTE:
Sales Codes:
[DGQ]=5 Speed Automatic Transmission - [5-45RFE]
[EV0] = All 4.7L 8 Cylinder Engines
[EZ0] = All 5.7L 8 Cylinder Engines

1									CLUTCH PACKAGE, Automatic Transmission, Input
	05013090AC	1	T			EV0	DGQ		
		1	T			EZ0	DGQ		
		1	J			EV0	DGQ		
		1	J			EZ0	DGQ		

NEW JEEP (XK)

SERIES LINE
H = HIGHLINE T = JEEP - 2WD
P = PREMIUM J = JEEP - 4WD

BODY
74 = SPORT UTILITY 4-DR

ENGINE
EKG = 3.7L V6 Engine
EVA = 4.7L V8 MPI Engine
EZB = 5.7L Hemi Multi Displacement Engine

TRANSMISSION
DGQ = 5-Spd Automatic 5-45RFE Transmission
DGJ = 5-Speed Automatic MB Transmission

AR = use ase required - = Non illustrated part

2006 XK

**Planetary Clutch
Figure 45RFE-1360**

ITEM	PART NUMBER	QTY	LINE	SERIES	BODY	ENGINE	TRANS	TRIM	DESCRIPTION
------	-------------	-----	------	--------	------	--------	-------	------	-------------

SELECTIVE THRUST PLATES

PLANETARY THRUST PLATE PKG 05013092aa

	Thrust plate, planetary	1.62 / 1.75
	Thrust plate, planetary	1.81 / 1.94
	Thrust plate, planetary	1.96 / 2.09
	Thrust plate, planetary	2.11 / 2.24
	Thrust plate, planetary	2.26 / 2.39
	Thrust plate, planetary	2.41 / 2.54
	Thrust plate, planetary	2.56 / 2.69
	Thrust plate, planetary	2.71 / 2.84
	Thrust plate, planetary	2.86 / 2.99
	Thrust plate, planetary	3.01 / 3.14
	Thrust plate, planetary	3.16 / 3.29
	Thrust plate, planetary	3.31 / 3.44
	Thrust plate, planetary	3.46 / 3.59
	Thrust plate, planetary	3.61 / 3.74
	Thrust plate, planetary	3.76 / 3.89
	Thrust plate, planetary	3.91 / 4.04
	Thrust plate, planetary	4.06 / 4.19
	Thrust plate, planetary	4.21 / 4.34
	Thrust plate, planetary	4.36 / 4.49

①

NOTE:

Sales Codes:

[DGQ]=5 Speed Automatic Transmission - [5-45RFE]

[EV0] = All 4.7L 8 Cylinder Engines

[EZ0] = All 5.7L 8 Cylinder Engines

1

-2

									PLATE PACKAGE, Planetary Thrust
	05013092AB	1	T			EV0	DGQ		
		1	T			EZ0	DGQ		
		1	J			EV0	DGQ		
		1	J			EZ0	DGQ		
									PLATE, Clutch Hub Thrust
	04799830AB	AR	T			EV0	DGQ		[1.94/2.03MM]
		AR	T			EZ0	DGQ		[1.94/2.03MM]
		AR	J			EV0	DGQ		[1.94/2.03MM]
		AR	J			EZ0	DGQ		[1.94/2.03MM]
	04799831AB	AR	T			EV0	DGQ		[2.08/2.17MM]
		AR	T			EZ0	DGQ		[2.08/2.17MM]
		AR	J			EV0	DGQ		[2.08/2.17MM]
		AR	J			EZ0	DGQ		[2.08/2.17MM]
	04799832AB	AR	T			EV0	DGQ		[2.22/2.31MM]
		AR	T			EZ0	DGQ		[2.22/2.31MM]
		AR	J			EV0	DGQ		[2.22/2.31MM]
		AR	J			EZ0	DGQ		[2.22/2.31MM]
	04799833AB	AR	T			EV0	DGQ		[2.36/2.45MM]
		AR	T			EZ0	DGQ		[2.36/2.45MM]
		AR	J			EV0	DGQ		[2.36/2.45MM]
		AR	J			EZ0	DGQ		[2.36/2.45MM]
	04799834AB	AR	T			EV0	DGQ		[2.50/2.59MM]
		AR	T			EZ0	DGQ		[2.50/2.59MM]
		AR	J			EV0	DGQ		[2.50/2.59MM]
		AR	J			EZ0	DGQ		[2.50/2.59MM]
	04799835AB	AR	T			EV0	DGQ		[2.64/2.73MM]
		AR	T			EZ0	DGQ		[2.64/2.73MM]
		AR	J			EV0	DGQ		[2.64/2.73MM]
		AR	J			EZ0	DGQ		[2.64/2.73MM]
	04799836AB	AR	T			EV0	DGQ		[2.78/2.87MM]

NEW JEEP (XK)

SERIES LINE
H = HIGHLINE T = JEEP - 2WD
P = PREMIUM J = JEEP - 4WD

BODY
74 = SPORT UTILITY 4-DR

ENGINE
EKG = 3.7L V6 Engine
EVA = 4.7L V8 MPI Engine
EZB = 5.7L Hemi Multi Displacement Engine

TRANSMISSION
DGQ = 5-Spd Automatic 5-45RFE Transmission
DGJ = 5-Speed Automatic MB Transmission

AR = use ase required - = Non illustrated part

2006 XK

Planetary Clutch
Figure 45RFE-1360

ITEM	PART NUMBER	QTY	LINE	SERIES	BODY	ENGINE	TRANS	TRIM	DESCRIPTION
						EZ0	DGQ		[2.78/2.87MM]
						EVO	DGQ		[2.78/2.87MM]
						EZ0	DGQ		[2.78/2.87MM]
	04799837AB					EVO	DGQ		[2.92/3.01MM]
						EZ0	DGQ		[2.92/3.01MM]
						EVO	DGQ		[2.92/3.01MM]
						EZ0	DGQ		[2.92/3.01MM]
		-3							PLATE, Planetary
	04799809AC	1	T			EVO	DGQ		[2.11/2.24MM]
		1	J			EVO	DGQ		[2.11/2.24MM]
	04799810AC		T			EVO	DGQ		[2.26/2.39MM]
			T			EZ0	DGQ		[2.26/2.39MM]
			J			EVO	DGQ		[2.26/2.39MM]
			J			EZ0	DGQ		[2.26/2.39MM]
	04799811AC		T			EVO	DGQ		[2.41/2.54MM]
			T			EZ0	DGQ		[2.41/2.54MM]
			J			EVO	DGQ		[2.41/2.54MM]
			J			EZ0	DGQ		[2.41/2.54MM]
	04799812AC		T			EVO	DGQ		[2.56./2.69MM]
			T			EZ0	DGQ		[2.56./2.69MM]
			J			EVO	DGQ		[2.56./2.69MM]
			J			EZ0	DGQ		[2.56./2.69MM]
	04799813AC		T			EVO	DGQ		[2.71/2.84MM]
			T			EZ0	DGQ		[2.71/2.84MM]
			J			EVO	DGQ		[2.71/2.84MM]
			J			EZ0	DGQ		[2.71/2.84MM]
	04799814AC		T			EVO	DGQ		[2.86/2.99MM]
			T			EZ0	DGQ		[2.86/2.99MM]
			J			EVO	DGQ		[2.86/2.99MM]
			J			EZ0	DGQ		[2.86/2.99MM]
	04799816AC		T			EVO	DGQ		[3.16/3.29MM]
			T			EZ0	DGQ		[3.16/3.29MM]
			J			EVO	DGQ		[3.16/3.29MM]
			J			EZ0	DGQ		[3.16/3.29MM]

SELECTIVE THRUST PLATES
PLANETARY THRUST PLATE PKG 05013092aa ①

Thrust plate, planetary	1.62 / 1.75
Thrust plate, planetary	1.81 / 1.94
Thrust plate, planetary	1.96 / 2.09
Thrust plate, planetary	2.11 / 2.24
Thrust plate, planetary	2.26 / 2.39
Thrust plate, planetary	2.41 / 2.54
Thrust plate, planetary	2.56 / 2.69
Thrust plate, planetary	2.71 / 2.84
Thrust plate, planetary	2.86 / 2.99
Thrust plate, planetary	3.01 / 3.14
Thrust plate, planetary	3.16 / 3.29
Thrust plate, planetary	3.31 / 3.44
Thrust plate, planetary	3.46 / 3.59
Thrust plate, planetary	3.61 / 3.74
Thrust plate, planetary	3.76 / 3.89
Thrust plate, planetary	3.91 / 4.04
Thrust plate, planetary	4.06 / 4.19
Thrust plate, planetary	4.21 / 4.34
Thrust plate, planetary	4.36 / 4.49

NEW JEEP (XK)

SERIES LINE
H = HIGHLINE T = JEEP - 2WD
P = PREMIUM J = JEEP - 4WD

BODY
74 = SPORT UTILITY 4-DR

ENGINE
EKG = 3.7L V6 Engine
EVA = 4.7L V8 MPI Engine
EZB = 5.7L Hemi Multi Displacement Engine

TRANSMISSION
DGQ = 5-Spd Automatic 5-45RFE Transmission
DGJ = 5-Speed Automatic MB Transmission

AR = use ase required - = Non illustrated part

2006 XK

Planetary Clutch
Figure 45RFE-1360

ITEM	PART NUMBER	QTY	LINE	SERIES	BODY	ENGINE	TRANS	TRIM	DESCRIPTION
	04799817AC	AR	T			EVO	DGQ		[3.31/3.44MM]
		AR	T			EZO	DGQ		[3.31/3.44MM]
		AR	J			EVO	DGQ		[3.31/3.44MM]
		AR	J			EZO	DGQ		[3.31/3.44MM]
	04799818AC	AR	T			EVO	DGQ		[3.46/3.59MM]
		AR	T			EZO	DGQ		[3.46/3.59MM]
		AR	J			EVO	DGQ		[3.46/3.59MM]
		AR	J			EZO	DGQ		[3.46/3.59MM]
	04799819AC	AR	T			EVO	DGQ		[3.61/3.74MM]
		AR	T			EZO	DGQ		[3.61/3.74MM]
		AR	J			EVO	DGQ		[3.61/3.74MM]
		AR	J			EZO	DGQ		[3.61/3.74MM]
	04799843AC	AR	T			EVO	DGQ		[3.01/3.14MM]
		AR	T			EZO	DGQ		[3.01/3.14MM]
		AR	J			EVO	DGQ		[3.01/3.14MM]
		AR	J			EZO	DGQ		[3.01/3.14MM]

SELECTIVE THRUST PLATES

PLANETARY THRUST PLATE PKG 05013092aa

	Thrust plate, planetary	1.62 / 1.75
	Thrust plate, planetary	1.81 / 1.94
	Thrust plate, planetary	1.96 / 2.09
	Thrust plate, planetary	2.11 / 2.24
	Thrust plate, planetary	2.26 / 2.39
	Thrust plate, planetary	2.41 / 2.54
	Thrust plate, planetary	2.56 / 2.69
	Thrust plate, planetary	2.71 / 2.84
	Thrust plate, planetary	2.86 / 2.99
	Thrust plate, planetary	3.01 / 3.14
	Thrust plate, planetary	3.16 / 3.29
	Thrust plate, planetary	3.31 / 3.44
	Thrust plate, planetary	3.46 / 3.59
	Thrust plate, planetary	3.61 / 3.74
	Thrust plate, planetary	3.76 / 3.89
	Thrust plate, planetary	3.91 / 4.04
	Thrust plate, planetary	4.06 / 4.19
	Thrust plate, planetary	4.21 / 4.34
	Thrust plate, planetary	4.36 / 4.49

①

NEW JEEP (XK)

SERIES LINE
H = HIGHLINE T = JEEP - 2WD
P = PREMIUM J = JEEP - 4WD

BODY
74 = SPORT UTILITY 4-DR

ENGINE
EKG = 3.7L V6 Engine
EVA = 4.7L V8 MPI Engine
EZB = 5.7L Hemi Multi Displacement Engine

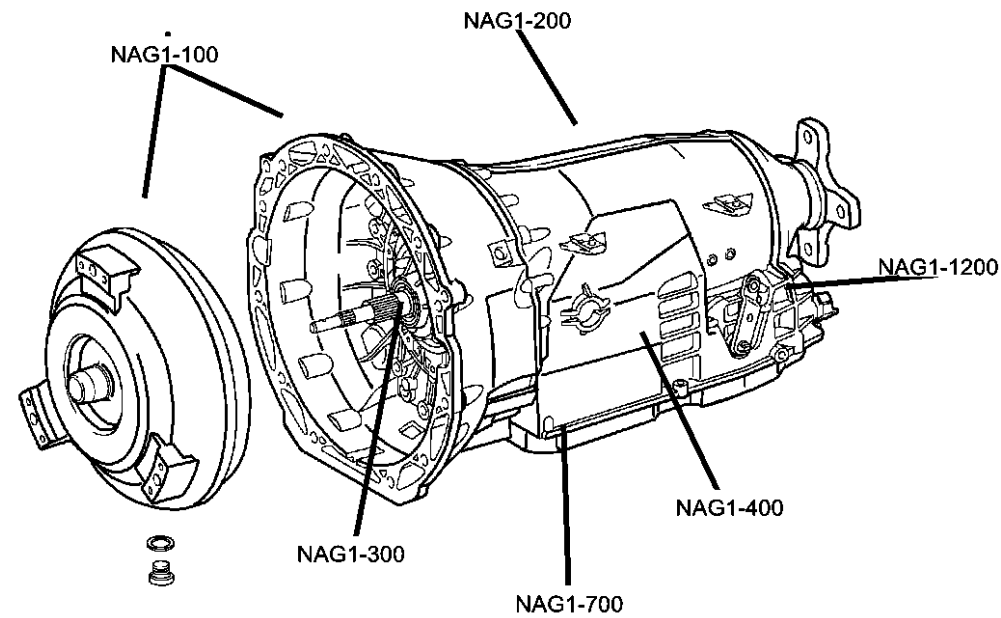
TRANSMISSION
DGQ = 5-Spd Automatic 5-45RFE Transmission
DGJ = 5-Speed Automatic MB Transmission

AR = use ase required - = Non illustrated part

2006 XK

Group - NAG1

Automatic Transmission 5 Speed [DGJ]



Group - NAG1 Automatic Transmission 5 Speed [DGJ]

Illustration Title

Group-Fig. No.

Transmission Assembly

Transmission Assembly Fig. NAG1 - 110

Case and Extension

Overhaul Seal & Gasket Package Fig. NAG1 - 205
 Transmission Case & Related Parts Fig. NAG1 - 210
 Transmission Case & Related Parts Fig. NAG1 - 220
 Oil Fill Tube Fig. NAG1 - 230
 Transmission Harness Heat Shield Fig. NAG1 - 240
 Transmission Mounting Fig. NAG1 - 250
 Dust & Heat Shield Fig. NAG1 - 260

Oil Pump

Pump, Oil Fig. NAG1 - 310

Gear Train

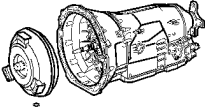
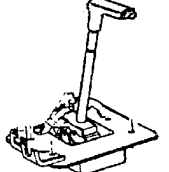
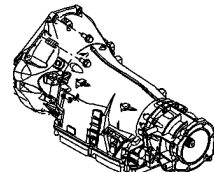
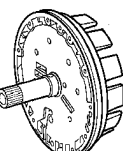
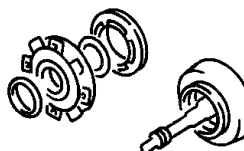
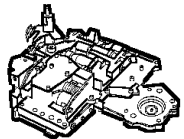
Multi-Disc Holding Clutch / [B1] Fig. NAG1 - 410
 Driving Clutch, Front Planetary / [K1] Fig. NAG1 - 420
 Planetary Carrier / [K1] - [VPLS] Fig. NAG1 - 430
 Driving Clutch / [K2] Fig. NAG1 - 440
 Center & Rear Planetary Set - Output Shaft / [MPLS / HPLS] Fig. NAG1 - 450
 Driving Clutch / [K2] Fig. NAG1 - 460
 Multiple Disc Brake & Parking Lock Gearwheel / [B2 & B3] Fig. NAG1 - 470
 Multiple Disc Brake & Parking Lock Gearwheel / [B2 & B3] Fig. NAG1 - 480
 Multiple Disc Brake & Parking Lock Gearwheel / [B2 & B3] Fig. NAG1 - 490

Valve Body

Electronic / Hydraulic Control Unit Fig. NAG1 - 710
 Oil Pan, Gasket & Filter Fig. NAG1 - 720

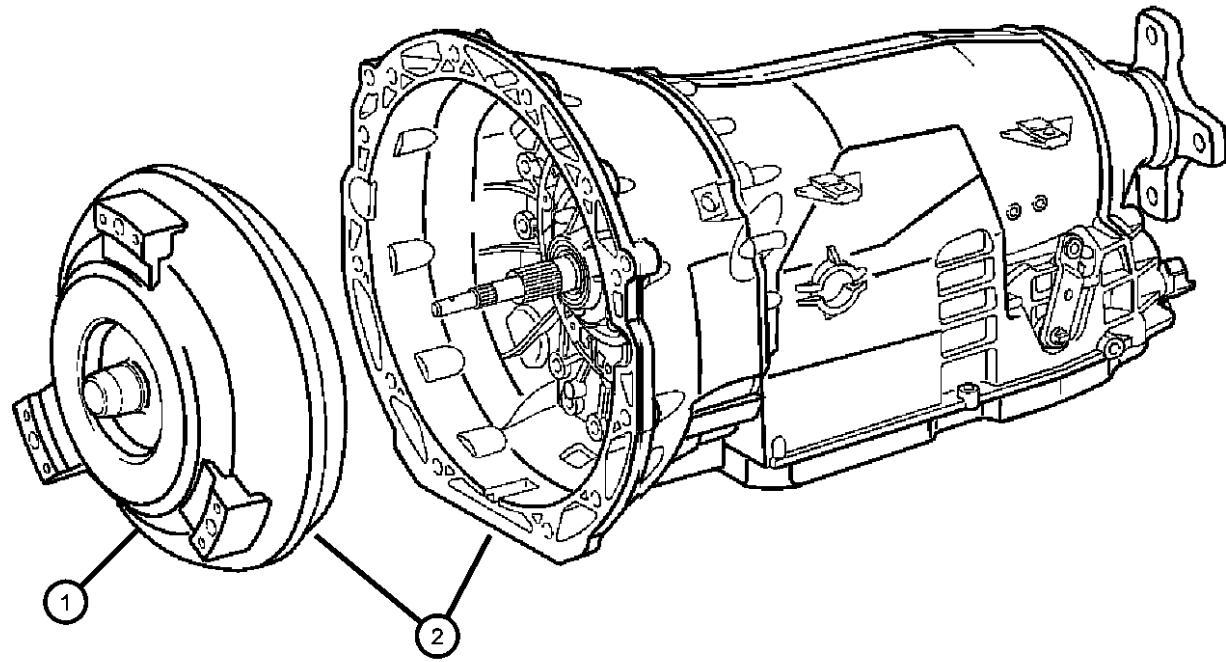
Gearshift Controls

Gearshift Control Fig. NAG1 - 1210
 Shifter Cable Lever & Bracket Fig. NAG1 - 1220

<p>NAG1-100 Transmission Assembly</p> 	<p>NAG1-1200 Gearshift Controls</p> 	<p>NAG1-200 Case and Extension</p> 	<p>NAG1-300 Oil Pump</p> 
<p>NAG1-400 Gear Train</p> 	<p>NAG1-700 Valve Body</p> 		

**Transmission Assembly
Figure NAG1-110**

ITEM	PART NUMBER	QTY	LINE	SERIES	BODY	ENGINE	TRANS	TRIM	DESCRIPTION
------	-------------	-----	------	--------	------	--------	-------	------	-------------



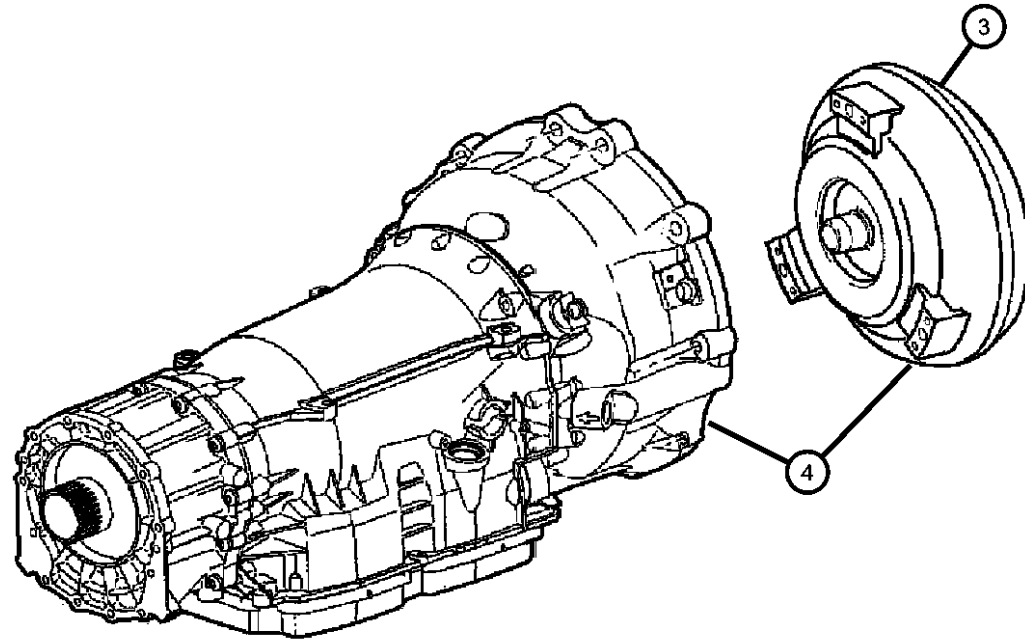
NOTE:

Sales Codes:

[DGJ]=5 Speed Automatic Transmission - [NAG1] - [W5A580]

[EK0]=All 3.7L V-6 Engines

1	04752603AA	1	T				DGJ		CONVERTER, Torque
2	05179338AA	1	T				DGJ		TRANSMISSION PACKAGE, With Torque Converter, With Stamp # [52108400AB] / Service Transmission Includes Torque Converter
3	04752603AA	1	J				DGJ		CONVERTER, Torque
4	05179336AA	1	J				DGJ		TRANSMISSION PACKAGE, With Torque Converter, With Stamp # [52108421AB] / Service Transmission Includes Torque Converter



NEW JEEP (XK)

SERIES LINE
H = HIGHLINE T = JEEP - 2WD
P = PREMIUM J = JEEP - 4WD

BODY
74 = SPORT UTILITY 4-DR

ENGINE
EKG = 3.7L V6 Engine
EVA = 4.7L V8 MPI Engine
EZB = 5.7L Hemi Multi Displacement Engine

TRANSMISSION
DGQ = 5-Spd Automatic 5-45RFE Transmission
DGJ = 5-Speed Automatic MB Transmission

AR = use ase required - = Non illustrated part

2006 XK

**Overhaul Seal & Gasket Package
Figure NAG1-205**

ITEM	PART NUMBER	QTY	LINE	SERIES	BODY	ENGINE	TRANS	TRIM	DESCRIPTION
------	-------------	-----	------	--------	------	--------	-------	------	-------------

NOTE: PARTS ILLUSTRATED ARE NOT IN SCALE OR IN CORRECT SIZE. THIS IS A GASKET AND SEAL PACKAGE. IT DOES NOT INCLUDE

1	05139580AA	1	J, T			EK0	DGJ		SEAL AND GASKET PACKAGE, Transmission, See Note:
---	------------	---	------	--	--	-----	-----	--	-----------------------------------------------------

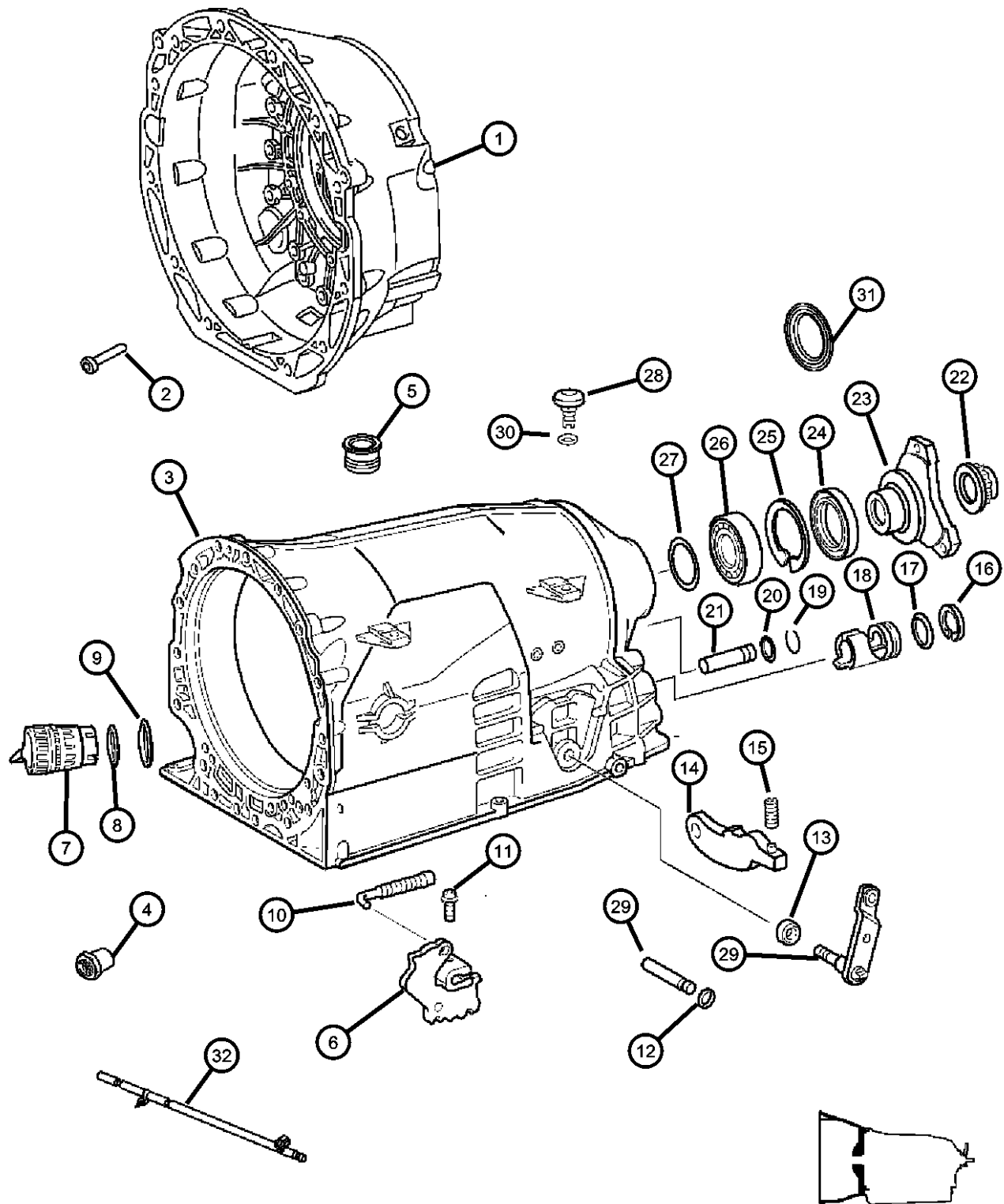
NEW JEEP (XK)

SERIES	LINE	BODY	ENGINE	TRANSMISSION
H = HIGHLINE	T = JEEP - 2WD	74 = SPORT UTILITY 4-DR	EKG = 3.7L V6 Engine	DGQ = 5-Spd Automatic 5-45RFE
P = PREMIUM	J = JEEP - 4WD		EVA = 4.7L V8 MPI Engine	Transmission
			EZB = 5.7L Hemi Multi Displacement Engine	DGJ = 5-Speed Automatic MB Transmission

AR = use ase required - = Non illustrated part

2006 XK

**Transmission Case & Related Parts
Figure NAG1-210**



ITEM	PART NUMBER	QTY	LINE	SERIES	BODY	ENGINE	TRANS	TRIM	DESCRIPTION
------	-------------	-----	------	--------	------	--------	-------	------	-------------

NOTE: Complete Repair Gasket Package Not Available. Must Order Gaskets, Seals & Related Parts Individually

Sales Codes:

[DGJ]=5 Speed Automatic Transmission - [NAG1] - [W5A580]

[EK0]=All 3.7L V-6 Engines

1	52108422AA	1	T				DGJ		HOUSING, Torque Converter
2	52108206AA	15	T				DGJ		SCREW, Torque Converter Housing To Transmission Case
3	52108431AA	1	T				DGJ		CASE, Transmission, Serviced With Transmission Assembly
4	52119547AA	2	T				DGJ		FITTING, Quick Connect
5	04810021	1	T				DGJ		GROMMET, Fill Tube Seal
6	52108349AA	1	T				DGJ		DETENT, Gearshift
7	05166827AA	1	T				DGJ		PLUG, Adapter
8	52108323AB	1	T				DGJ		O RING, Adapter Plug
9	52108324AB	1	T				DGJ		O RING, Adapter Plug
10	52108166AA	1	T				DGJ		LINKAGE, Transmission
11	52108178AA	1	T				DGJ		SCREW
12	52108156AA	1	T				DGJ		SEAL, Transmission
13	05134933AB	1	T				DGJ		SEAL, Transmission
14	52108154AA	1	T				DGJ		PAWL, Parking Sprag
15	52108157AA	1	T				DGJ		SPRING
16	52107976AA	1	T				DGJ		SNAP RING
17	52108177AA	1	T				DGJ		SEAL, Transmission
18	52108176AA	1	T				DGJ		GUIDE
19	52107975AA	1	T				DGJ		SNAP RING
20	52108156AA	1	T				DGJ		SEAL, Transmission
21	52108155AA	1	T				DGJ		PIN
22	52108234AA	1	T				DGJ		NUT
23	52108628AB	1	T				DGJ		FLANGE, Output
24	52108428AA	1	T				DGJ		SEAL, Transmission
25	52108210AA	AR	T				DGJ		LOCK, Mounting
26	52108207AA	1	T				DGJ		BEARING, Ball
27									SPACER
	52108220AA	1	T				DGJ		[3MM]
	52108230AA	AR	T				DGJ		[2MM]
	52108231AA	AR	T				DGJ		[4MM]
	52108232AA	AR	T				DGJ		[5MM]

NEW JEEP (XK)

SERIES LINE
H = HIGHLINE T = JEEP - 2WD
P = PREMIUM J = JEEP - 4WD

BODY
74 = SPORT UTILITY 4-DR

ENGINE
EKG = 3.7L V6 Engine
EVA = 4.7L V8 MPI Engine
EZB = 5.7L Hemi Multi Displacement Engine

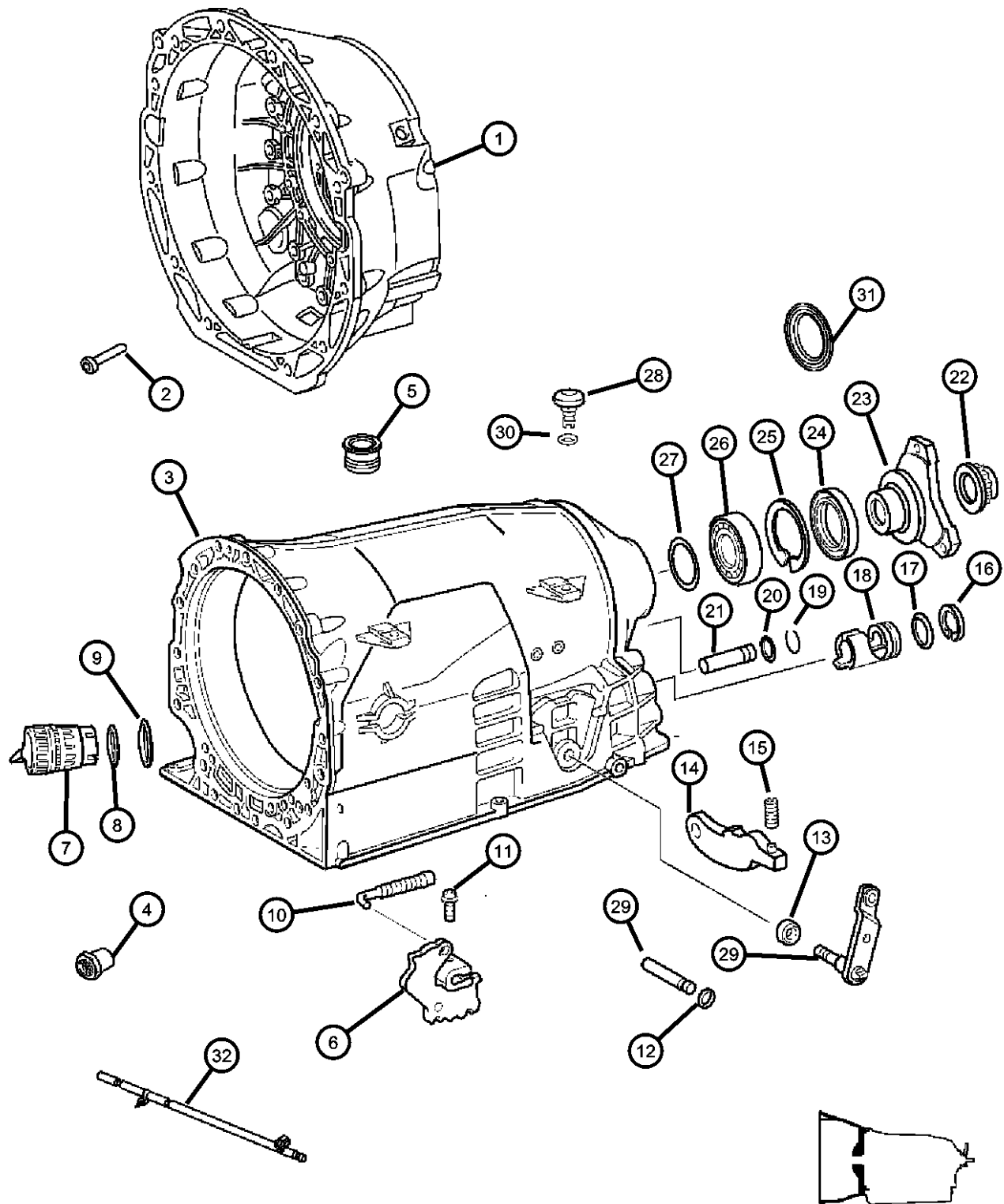
TRANSMISSION
DGQ = 5-Spd Automatic 5-45RFE Transmission
DGJ = 5-Speed Automatic MB Transmission

AR = use ase required - = Non illustrated part

2006 XK

**Transmission Case & Related Parts
Figure NAG1-210**

ITEM	PART NUMBER	QTY	LINE	SERIES	BODY	ENGINE	TRANS	TRIM	DESCRIPTION
------	-------------	-----	------	--------	------	--------	-------	------	-------------



28	52108397AA	1	T				DGJ		BREATHER, Transmission
29	52108432AA	1	T				DGJ		SHAFT, Shift Lever
30	52108399AA	1	T				DGJ		O RING
31	52108626AA	1	T				DGJ		SLINGER, Front Yoke
32	53013919AA	1					DGJ		TUBE, Vent

NEW JEEP (XK)

SERIES	LINE
H = HIGHLINE	T = JEEP - 2WD
P = PREMIUM	J = JEEP - 4WD

BODY
74 = SPORT UTILITY 4-DR

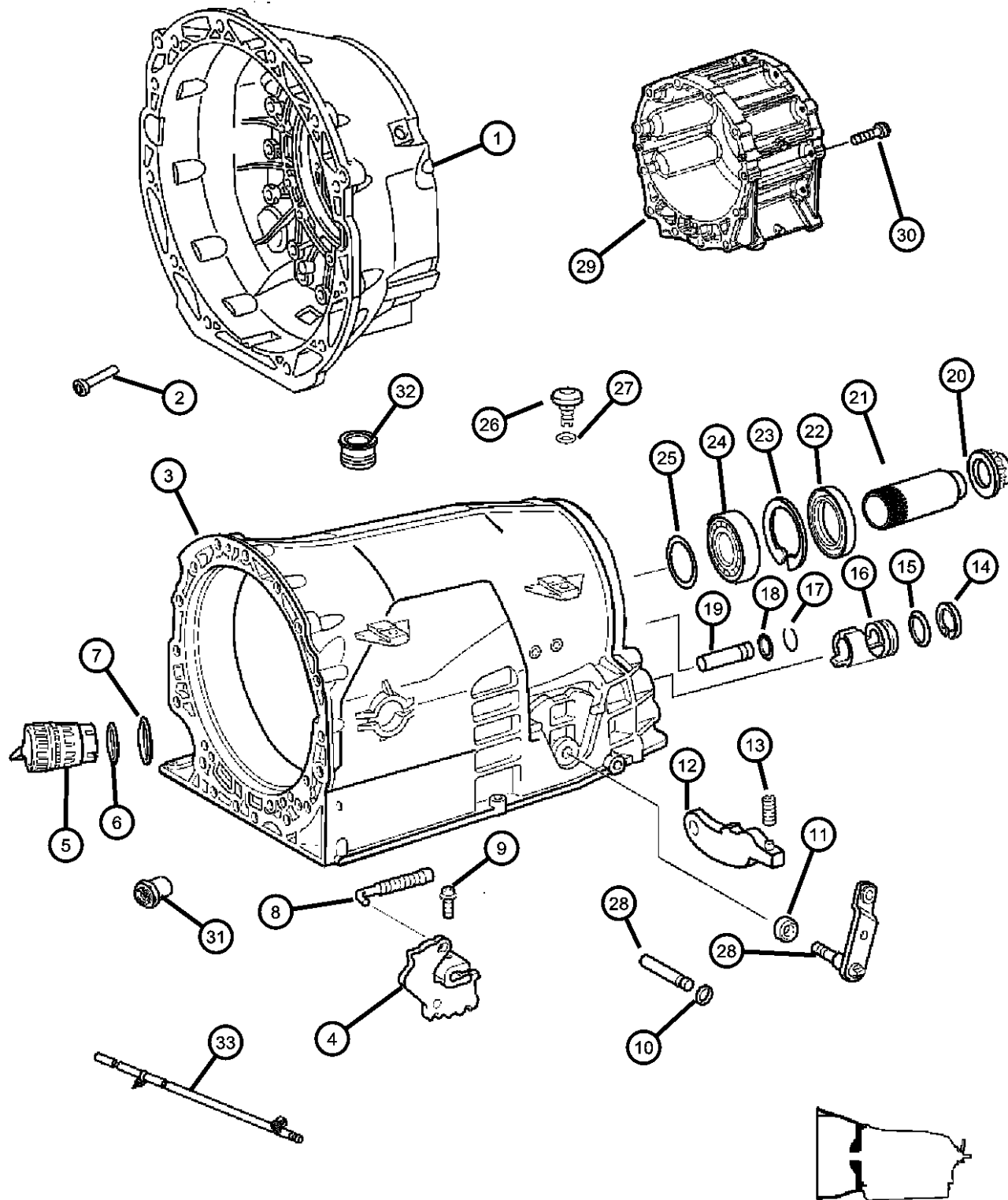
ENGINE
EKG = 3.7L V6 Engine
EVA = 4.7L V8 MPI Engine
EZB = 5.7L Hemi Multi Displacement Engine

TRANSMISSION
DGQ = 5-Spd Automatic 5-45RFE Transmission
DGJ = 5-Speed Automatic MB Transmission

AR = use ase required - = Non illustrated part

2006 XK

**Transmission Case & Related Parts
Figure NAG1-220**



NOTE: Complete Repair Gasket Package Not Available. Must Order Seals, Gaskets Separate
Sales Codes:
[DGJ]=5 Speed Automatic Transmission - [NAG1] - [W5A580]
[EK0]=All 3.7L V-6 Engines

ITEM	PART NUMBER	QTY	LINE	SERIES	BODY	ENGINE	TRANS	TRIM	DESCRIPTION
1	52108422AA	1	J				DGJ		HOUSING, Torque Converter
2	52108206AA	15	J				DGJ		SCREW, Torque Converter Housing To Transmission Case
3	52108447AA	1	J				DGJ		CASE, Transmission
4	52108349AA	1	J				DGJ		DETENT, Gearshift
5	05166827AA	1	J				DGJ		PLUG, Adapter
6	52108323AB	1	J				DGJ		O RING, Adapter Plug
7	52108324AB	1	J				DGJ		O RING, Adapter Plug
8	52108166AA	1	J				DGJ		LINKAGE, Transmission
9	52108178AA	1	J				DGJ		SCREW
10	52108156AA	1	J				DGJ		SEAL, Transmission
11	05134933AB	1	J				DGJ		SEAL, Transmission
12	52108154AA	1	J				DGJ		PAWL, Parking Sprag
13	52108157AA	1	J				DGJ		SPRING
14	52107976AA	1	J				DGJ		SNAP RING
15	05134933AB	1	J				DGJ		SEAL, Transmission
16	52108176AA	1	J				DGJ		GUIDE
17	52107975AA	1	J				DGJ		SNAP RING
18	52108156AA	1	J				DGJ		SEAL, Transmission
19	52108155AA	1	J				DGJ		PIN
20	52108234AA	1	J				DGJ		NUT
21	05179989AA	1	J				DGJ		FLANGE PACKAGE
22	52108428AA	1	J				DGJ		SEAL, Transmission
23	52108210AA	AR	J				DGJ		LOCK, Mounting
24	52108207AA	1	J				DGJ		BEARING, Ball
25	52108220AA	1	J				DGJ		SPACER [3MM]
	52108230AA	AR	J				DGJ		[2MM]
	52108231AA	AR	J				DGJ		[4MM]
	52108232AA	AR	J				DGJ		[5MM]
26	52108397AA	1	J				DGJ		BREATHER, Transmission
27	52108399AA	1	J				DGJ		O RING
28	52108432AA	1	J				DGJ		SHAFT, Shift Lever

NEW JEEP (XK)

SERIES LINE
H = HIGHLINE T = JEEP - 2WD
P = PREMIUM J = JEEP - 4WD

BODY
74 = SPORT UTILITY 4-DR

ENGINE
EKG = 3.7L V6 Engine
EVA = 4.7L V8 MPI Engine
EZB = 5.7L Hemi Multi Displacement Engine

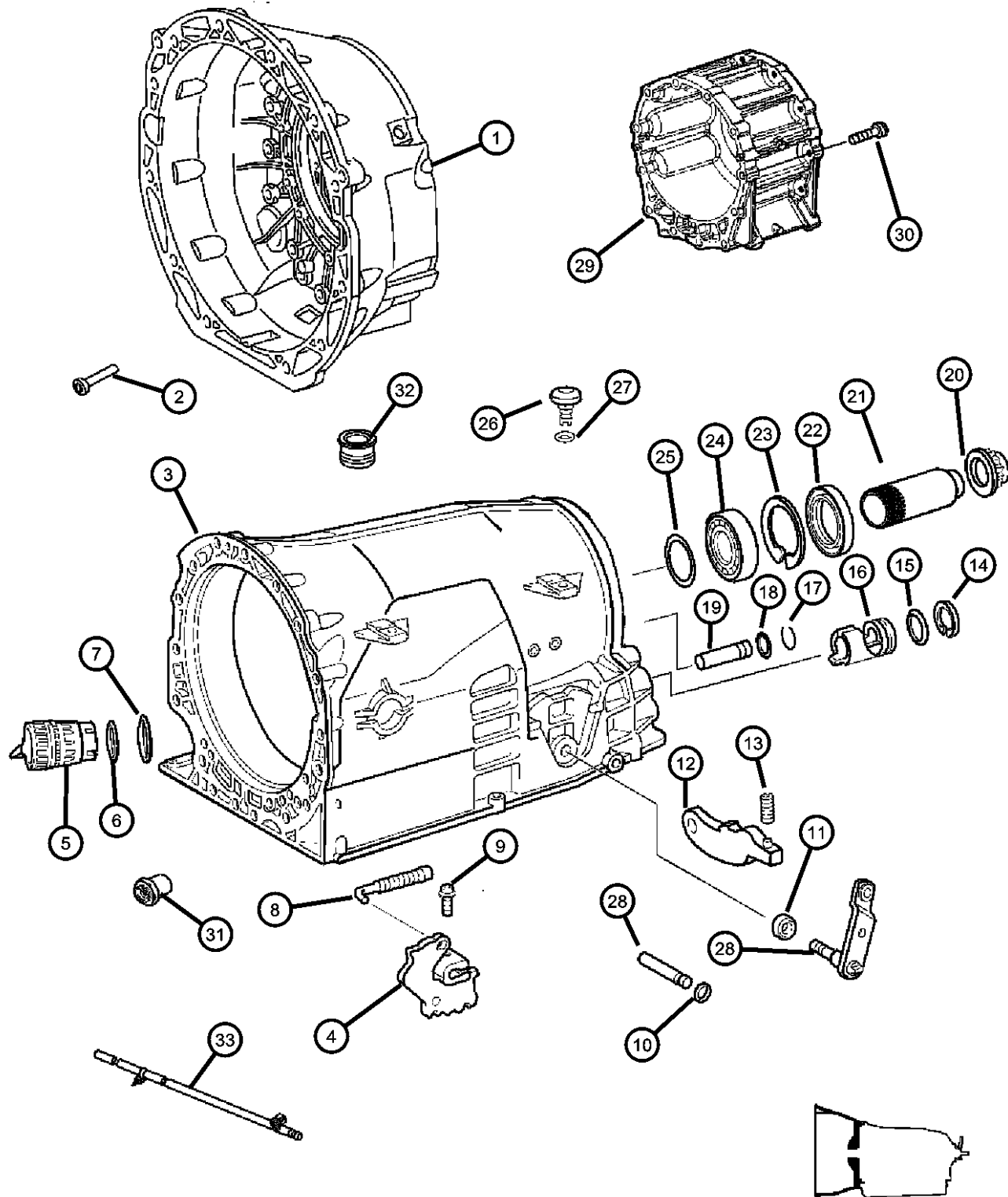
TRANSMISSION
DGQ = 5-Spd Automatic 5-45RFE Transmission
DGJ = 5-Speed Automatic MB Transmission

AR = use ase required - = Non illustrated part

2006 XK

Transmission Case & Related Parts
Figure NAG1-220

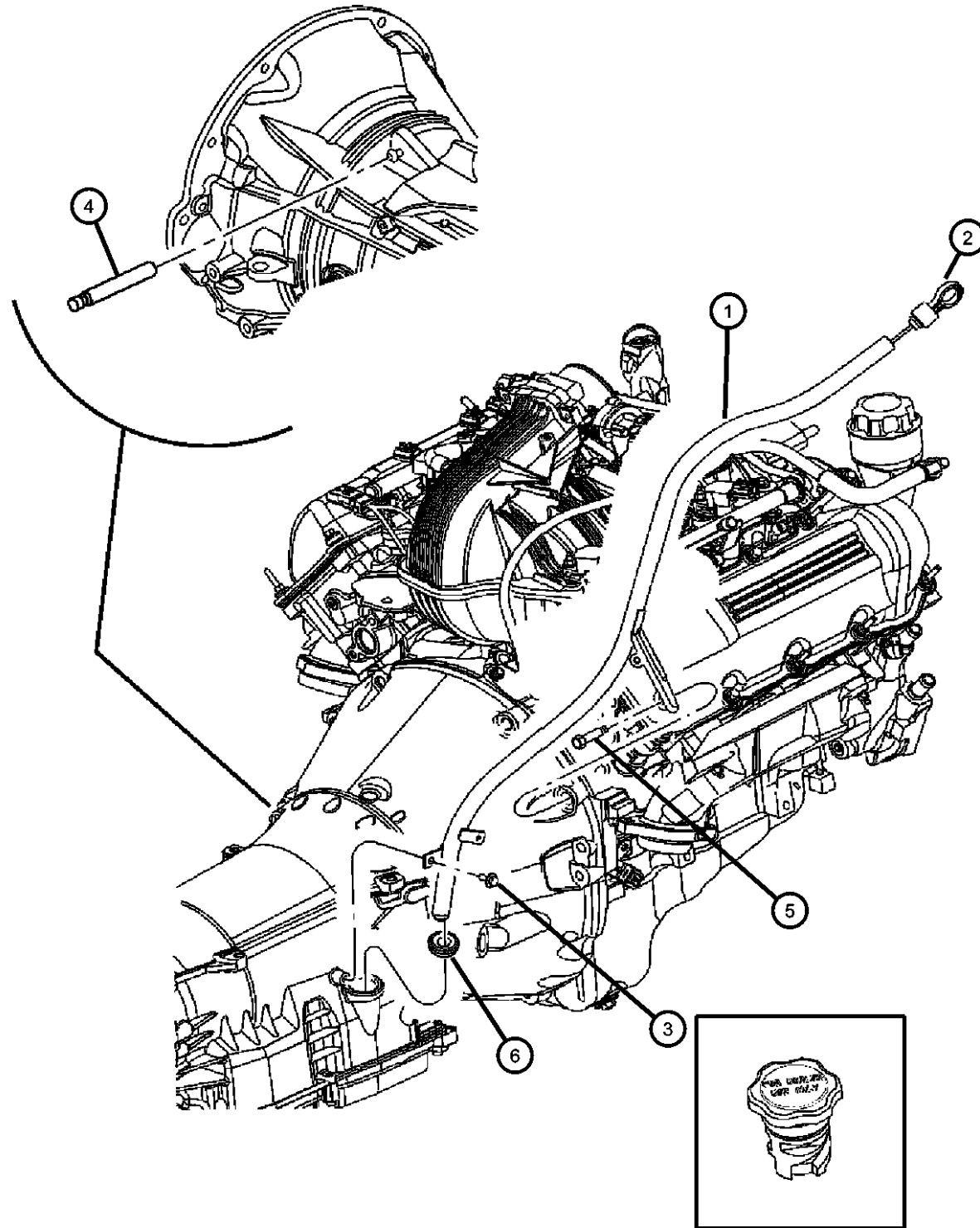
ITEM	PART NUMBER	QTY	LINE	SERIES	BODY	ENGINE	TRANS	TRIM	DESCRIPTION
29	52108451AA	1	J				DGJ		ADAPTER, Transfer Case
30	06104157AB	1	J				DGJ		SCREW
31	52119547AA	2	J				DGJ		FITTING, Quick Connect
32	04810021	1	J				DGJ		GROMMET, Oil Filler Tube To Case
33	53013919AA	1					DGJ		TUBE, Vent



NEW JEEP (XK)				
SERIES	LINE	BODY	ENGINE	TRANSMISSION
H = HIGHLINE	T = JEEP - 2WD	74 = SPORT UTILITY 4-DR	EKG = 3.7L V6 Engine	DGQ = 5-Spd Automatic 5-45RFE
P = PREMIUM	J = JEEP - 4WD		EVA = 4.7L V8 MPI Engine	Transmission
			EZB = 5.7L Hemi Multi	DGJ = 5-Speed Automatic MB
			Displacement Engine	Transmission

AR = use ase required - = Non illustrated part

Oil Fill Tube
Figure NAG1-230



ITEM	PART NUMBER	QTY	LINE	SERIES	BODY	ENGINE	TRANS	TRIM	DESCRIPTION
NOTE: Sales Codes: [DGJ]=5 Speed Automatic Transmission - [NAG1] - [W5A580] [EK0]=All 3.7L V-6 Engines									
1	53013578AF	1				EK0	DGJ		TUBE, Transmission Oil Filler
2	04591959AA	1				EK0	DGJ		CAP, Oil Filler
3	06501979	1							SCREW AND WASHER, Hex Head, M6x1x17
4	53032457AA	1					DGJ, DGQ		TUBE, Vent, Oil Filler Tube
5	00154938AA	4				EK0	DG0		SCREW AND WASHER, Hex Head, .375-16x1.75
6									GROMMET
	04810021	1	J				DGJ		
		1	T				DGJ		

NEW JEEP (XK)

SERIES LINE
H = HIGHLINE T = JEEP - 2WD
P = PREMIUM J = JEEP - 4WD

BODY
74 = SPORT UTILITY 4-DR

ENGINE
EKG = 3.7L V6 Engine
EVA = 4.7L V8 MPI Engine
EZB = 5.7L Hemi Multi Displacement Engine

TRANSMISSION
DGQ = 5-Spd Automatic 5-45RFE Transmission
DGJ = 5-Speed Automatic MB Transmission

AR = use ase required - = Non illustrated part

2006 XK

**Transmission Harness Heat Shield
Figure NAG1-240**

ITEM	PART NUMBER	QTY	LINE	SERIES	BODY	ENGINE	TRANS	TRIM	DESCRIPTION
------	-------------	-----	------	--------	------	--------	-------	------	-------------

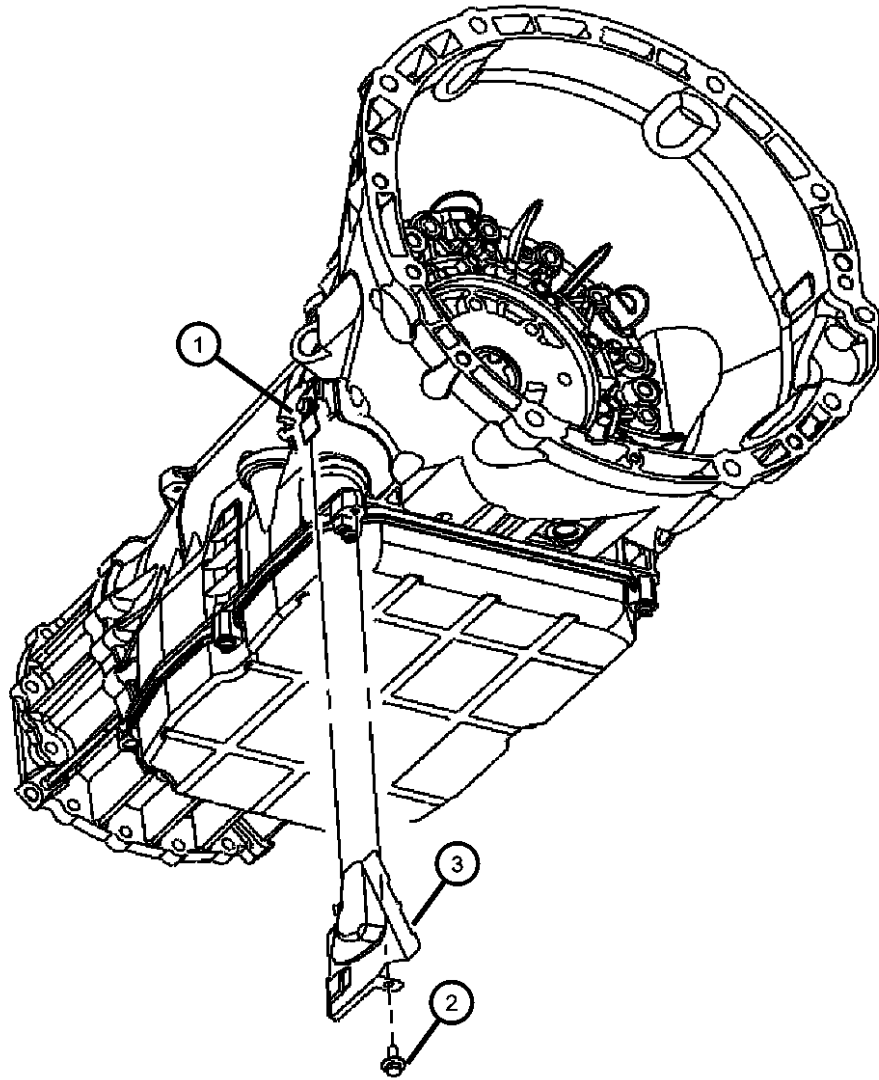
NOTE:

Sales Codes:

[DGJ]=5 Speed Automatic Transmission - [NAG1] - [W5A580]

[EK0]=All 3.7L V-6 Engines

1	52108179AA	1	J				DGJ		SPRING
2	52108179AA	1							SCREW, [M6X1.00X14.00], (NOT SERVICED)
3	53013915AA	1					DGJ		SHIELD, Heat



NEW JEEP (XK)

SERIES	LINE
H = HIGHLINE	T = JEEP - 2WD
P = PREMIUM	J = JEEP - 4WD

BODY
74 = SPORT UTILITY 4-DR

ENGINE
EKG = 3.7L V6 Engine
EVA = 4.7L V8 MPI Engine
EZB = 5.7L Hemi Multi Displacement Engine

TRANSMISSION
DGQ = 5-Spd Automatic 5-45RFE Transmission
DGJ = 5-Speed Automatic MB Transmission

AR = use ase required - = Non illustrated part

2006 XK

**Transmission Mounting
Figure NAG1-250**

ITEM	PART NUMBER	QTY	LINE	SERIES	BODY	ENGINE	TRANS	TRIM	DESCRIPTION
------	-------------	-----	------	--------	------	--------	-------	------	-------------

NOTE:

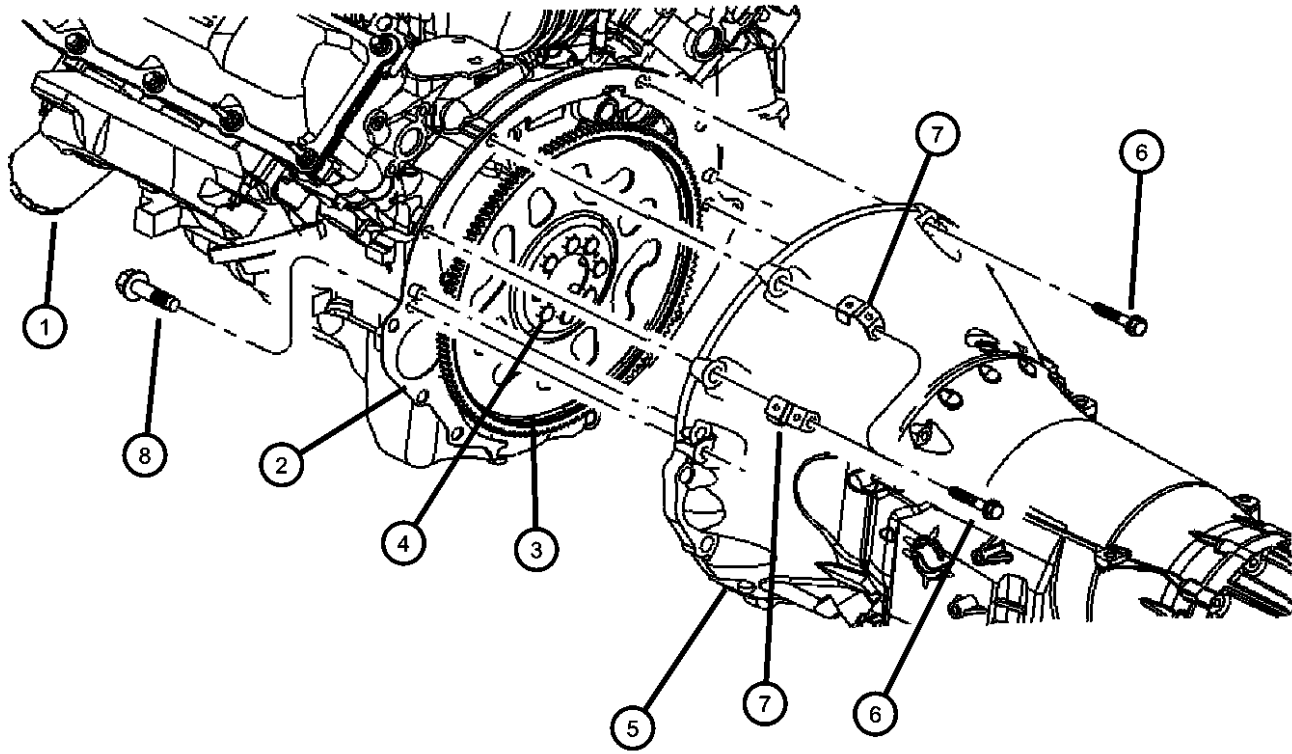
Sales Codes:

[DGJ]=5 Speed Automatic Transmission - [NAG1] - [W5A580]

[DG0]=All 5 Speed Automatic Transmissions

[EK0]=All 3.7L V-6 Engines

1	53013915AA	1							ENGINE, Complete, See Engine Group, (NOT SERVICED)
2	53013573AB	1				EK0	DGJ		COVER, Transmission Dust
3	04752574AB	1				EK0	DG0		PLATE, Torque Converter Drive
4	06503465	8				EK0, EV0	DG0		BOLT, Drive Plate and Flywheel
5	06503465	8							TRANSMISSION, With Torque Converter, See Transmission Illustration, (NOT SERVICED)
6	00154938AA	4				EK0	DG0		SCREW AND WASHER, Hex Head, .375-16x1.75
7	56041379AA	1							CLIP, Housing
8	06036385AA	2					DG0		SCREW AND WASHER, Hex Head, .437-14x2.00



NEW JEEP (XK)

SERIES	LINE
H = HIGHLINE	T = JEEP - 2WD
P = PREMIUM	J = JEEP - 4WD

BODY
74 = SPORT UTILITY 4-DR

ENGINE
EKG = 3.7L V6 Engine
EVA = 4.7L V8 MPI Engine
EZB = 5.7L Hemi Multi Displacement Engine

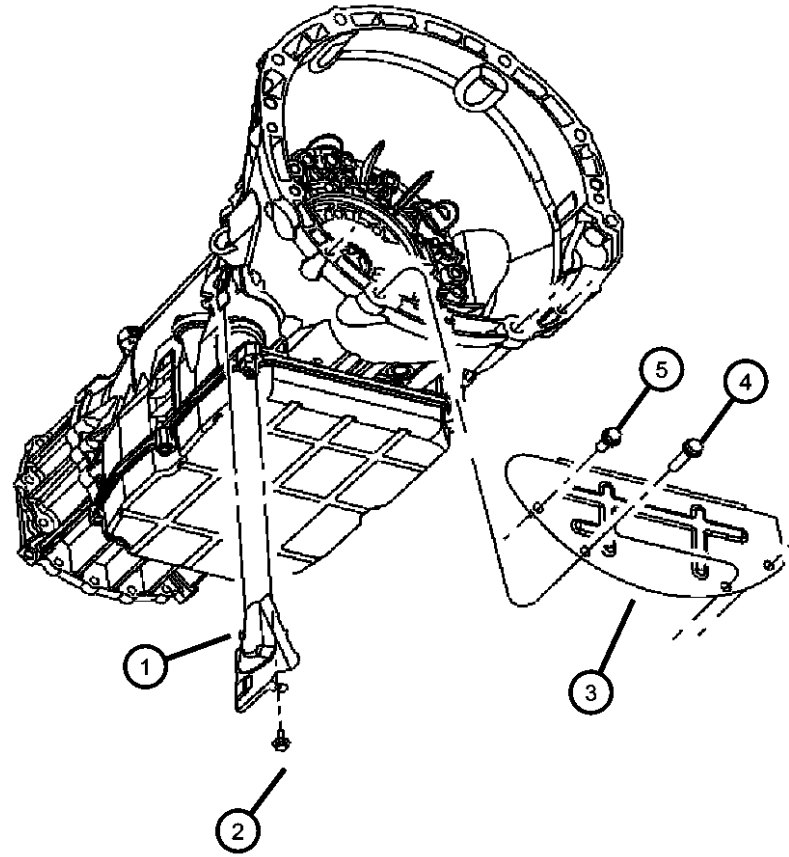
TRANSMISSION
DGQ = 5-Spd Automatic 5-45RFE Transmission
DGJ = 5-Speed Automatic MB Transmission

AR = use ase required - = Non illustrated part

2006 XK

Dust & Heat Shield
Figure NAG1-260

ITEM	PART NUMBER	QTY	LINE	SERIES	BODY	ENGINE	TRANS	TRIM	DESCRIPTION
1	53013915AA	1					DGJ		SHIELD, Heat
2	06507210AA	1					DGJ		SCREW AND WASHER, Hex Head
3	53013867AA	1	J			EK0	DGJ		SHIELD, Transmission
4									SCREW AND WASHER, M10x1.50x45.00
	06101985	8	T			EK0			
		8	J			EK0			
5	06101794	1				EK0			SCREW, Hex Head, M10x1.5x115



NEW JEEP (XK)

SERIES LINE
H = HIGHLINE T = JEEP - 2WD
P = PREMIUM J = JEEP - 4WD

BODY
74 = SPORT UTILITY 4-DR

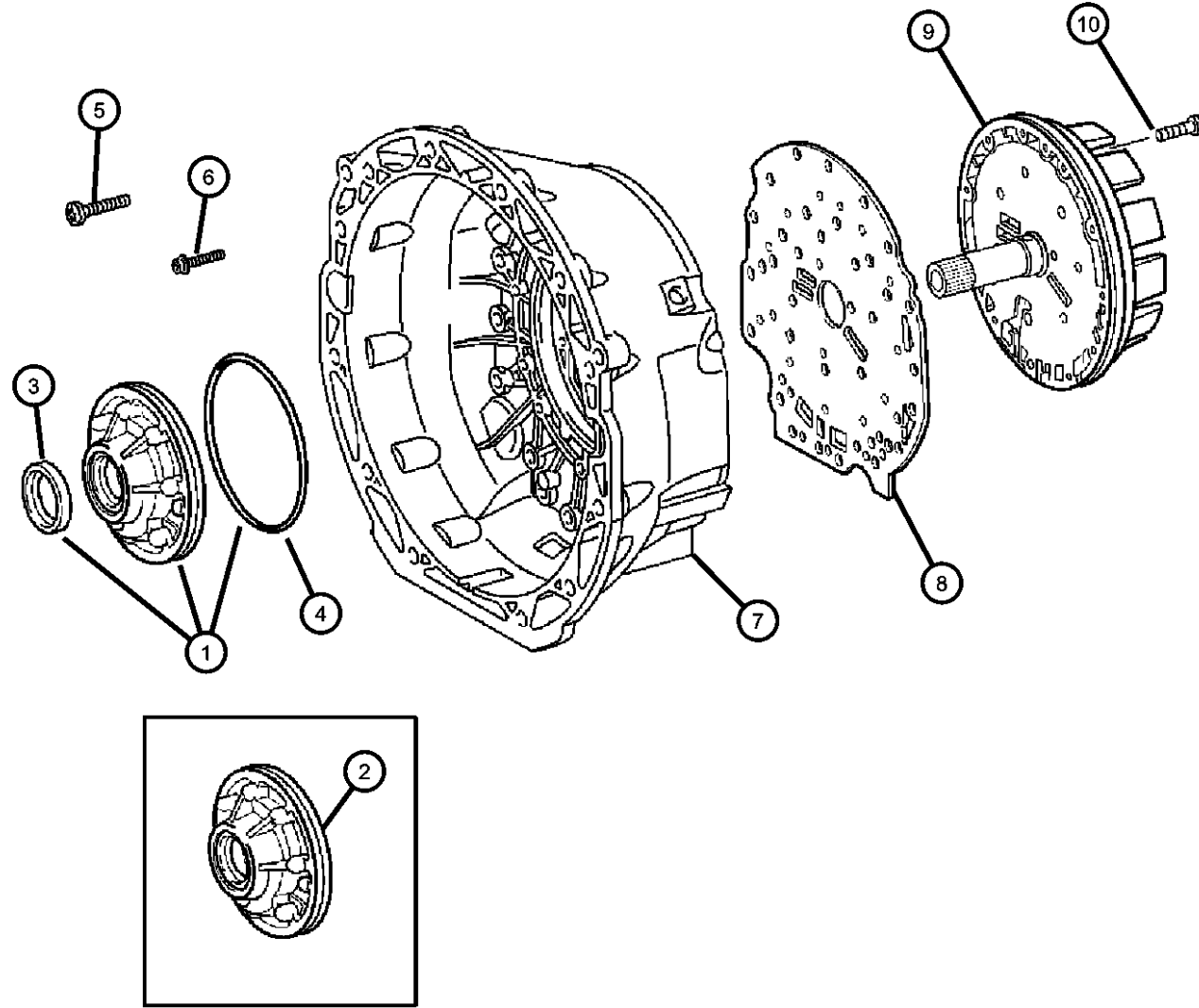
ENGINE
EKG = 3.7L V6 Engine
EVA = 4.7L V8 MPI Engine
EZB = 5.7L Hemi Multi
Displacement Engine

TRANSMISSION
DGQ = 5-Spd Automatic 5-45RFE
Transmission
DGJ = 5-Speed Automatic MB
Transmission

AR = use ase required - = Non illustrated part

2006 XK

**Pump, Oil
Figure NAG1-310**



ITEM	PART NUMBER	QTY	LINE	SERIES	BODY	ENGINE	TRANS	TRIM	DESCRIPTION
------	-------------	-----	------	--------	------	--------	-------	------	-------------

NOTE: Call Out [#2] Is The Oil Pump Housing Only. It Does Not Include The Oil Pump Gears, Seal & Housing O Ring.

Sales Codes:

[DGJ]=5 Speed Automatic Transmission - [NAG1] - [W5A380]

1	05080070AA	1	J				DGJ		PUMP, Transmission Oil Includes Seal [#2] And O Ring [#3] / Inner Rotors Are Not Serviced Individually Or As A Set.
2	52107892AA	1	T				DGJ		Includes Seal [#2] And O Ring [#3] / Inner Rotors Are Not Serviced Individually Or As A Set. PUMP, Transmission Oil, Outer Oil Pump Housing Only / Gears, Seal, O Ring Not Included
3	52108424AA	AR	T				DGJ		Outer Oil Pump Housing Only / Gears, Seal & O Ring Not Included
4	52107900AA	1	T				DGJ		Outer Oil Pump Housing Only / Gears, Seal & O Ring Not Included
5	52108206AA	15	T				DGJ		SEAL
6	52107933AA	7	T				DGJ		SCREW Bell Housing To Transmission Case
7	52108422AA	1	T				DGJ		SCREW Bell Housing To Transmission Case
8	52108147AA	1	T				DGJ		SCREW Oil Pump To Torque Converter Housing
9		1	J				DGJ		Oil Pump To Torque Converter Housing
		1	J				DGJ		HOUSING, Torque Converter
		1	J				DGJ		PLATE, Intermediate
		1	J				DGJ		DISC, Support

NEW JEEP (XK)

SERIES LINE
H = HIGHLINE T = JEEP - 2WD
P = PREMIUM J = JEEP - 4WD

BODY
74 = SPORT UTILITY 4-DR

ENGINE
EKG = 3.7L V6 Engine
EVA = 4.7L V8 MPI Engine
EZB = 5.7L Hemi Multi Displacement Engine

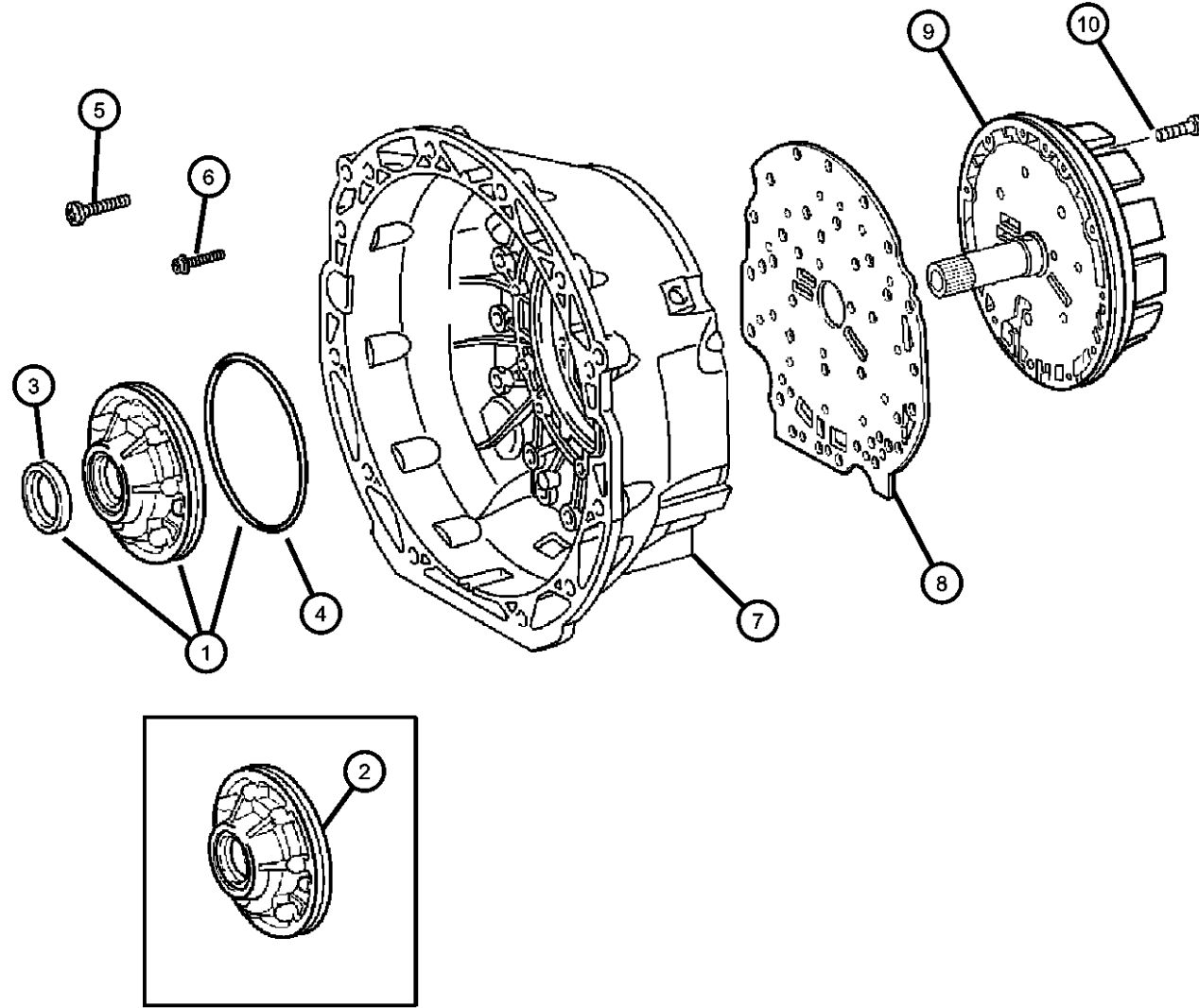
TRANSMISSION
DGQ = 5-Spd Automatic 5-45RFE Transmission
DGJ = 5-Speed Automatic MB Transmission

AR = use ase required - = Non illustrated part

2006 XK

Pump, Oil
Figure NAG1-310

ITEM	PART NUMBER	QTY	LINE	SERIES	BODY	ENGINE	TRANS	TRIM	DESCRIPTION
	05138365AA	1	J				DGJ		
		1	T				DGJ		
10									SCREW
	52107934AA	11	T				DGJ		Support To Converter Housing
		11	J				DGJ		Support To Converter Housing



NEW JEEP (XK)

SERIES LINE
H = HIGHLINE T = JEEP - 2WD
P = PREMIUM J = JEEP - 4WD

BODY
74 = SPORT UTILITY 4-DR

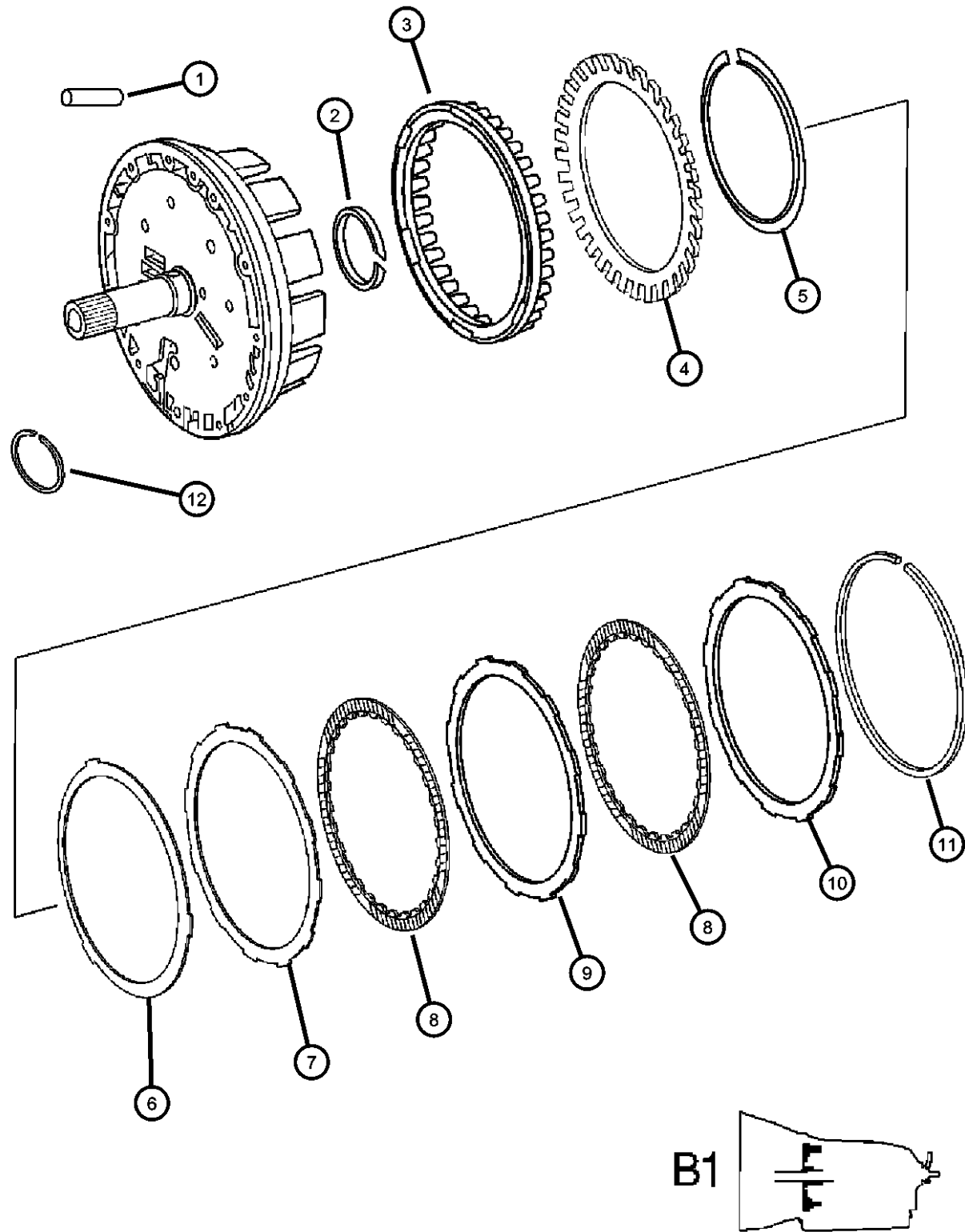
ENGINE
EKG = 3.7L V6 Engine
EVA = 4.7L V8 MPI Engine
EZB = 5.7L Hemi Multi
Displacement Engine

TRANSMISSION
DGQ = 5-Spd Automatic 5-45RFE
Transmission
DGJ = 5-Speed Automatic MB
Transmission

AR = use ase required - = Non illustrated part

2006 XK

**Multi-Disc Holding Clutch / [B1]
Figure NAG1-410**



ITEM	PART NUMBER	QTY	LINE	SERIES	BODY	ENGINE	TRANS	TRIM	DESCRIPTION
NOTE: Sales Codes: [DGJ]=5 Speed Automatic Transmission - [NAG1] - [W5A580]									
1	06507381AA	1	T				DGJ		PIN
		1	J				DGJ		
2	52108028AA	1	J				DGJ		SEAL, Transmission
		1	T				DGJ		
3	52108506AA	1	J				DGJ		PISTON
		1	T				DGJ		
4	52108023AA	1	J				DGJ		DISC, Spring
		1	T				DGJ		
5	52107936AA	1	J				DGJ		SNAP RING
		1	T				DGJ		
6	52108024AA	1	J				DGJ		DISC, Spring
		1	T				DGJ		
7	52107994AA	1	J				DGJ		DISC, Outer
		1	T				DGJ		
8	52108507AA	1	J				DGJ		DISC, Inner
		1	T				DGJ		
9	52108508AA	1	J				DGJ		DISC, Outer
		1	T				DGJ		
10	52107994AA	1	J				DGJ		DISC, Outer
		1	T				DGJ		
11	52107949AA	1	J				DGJ		SNAP RING
		1	T				DGJ		[2.6MM]
		1	T				DGJ		[2.6MM]

NEW JEEP (XK)

SERIES LINE
H = HIGHLINE T = JEEP - 2WD
P = PREMIUM J = JEEP - 4WD

BODY
74 = SPORT UTILITY 4-DR

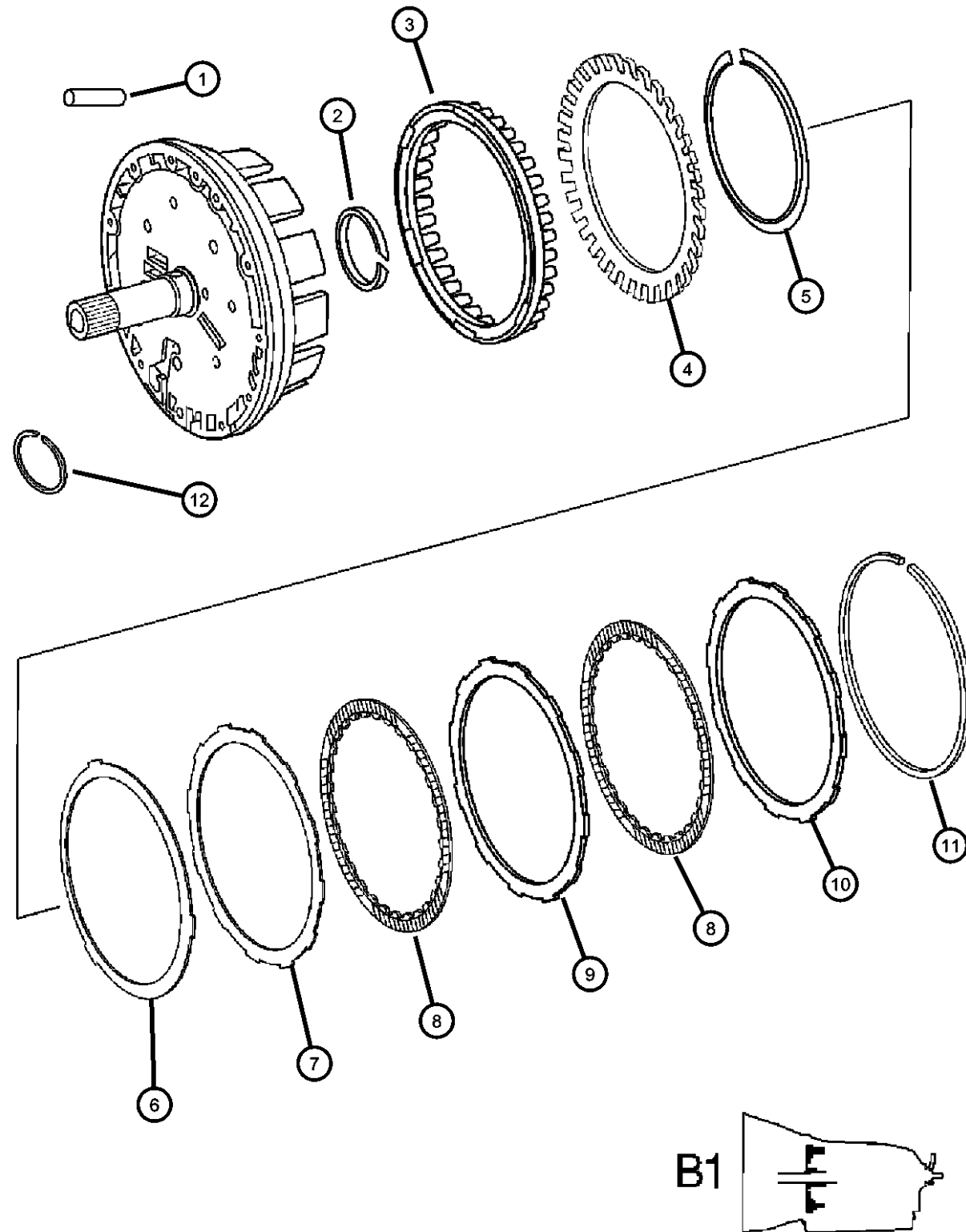
ENGINE
EKG = 3.7L V6 Engine
EVA = 4.7L V8 MPI Engine
EZB = 5.7L Hemi Multi Displacement Engine

TRANSMISSION
DGQ = 5-Spd Automatic 5-45RFE Transmission
DGJ = 5-Speed Automatic MB Transmission

AR = use ase required - = Non illustrated part

2006 XK

**Multi-Disc Holding Clutch / [B1]
Figure NAG1-410**



ITEM	PART NUMBER	QTY	LINE	SERIES	BODY	ENGINE	TRANS	TRIM	DESCRIPTION
	52107950AA	1	J				DGJ		[2.9MM]
		1	T				DGJ		[2.9MM]
	52107951AA	AR	T				DGJ		[3.2MM]
		AR	J				DGJ		[3.2MM]
	52107952AA	AR	T				DGJ		[3.5MM]
		AR	J				DGJ		[3.5MM]
12									RING, Snap
	52107948AA	1	T				DGJ		
		1	J				DGJ		

NEW JEEP (XK)

SERIES LINE
H = HIGHLINE T = JEEP - 2WD
P = PREMIUM J = JEEP - 4WD

BODY
74 = SPORT UTILITY 4-DR

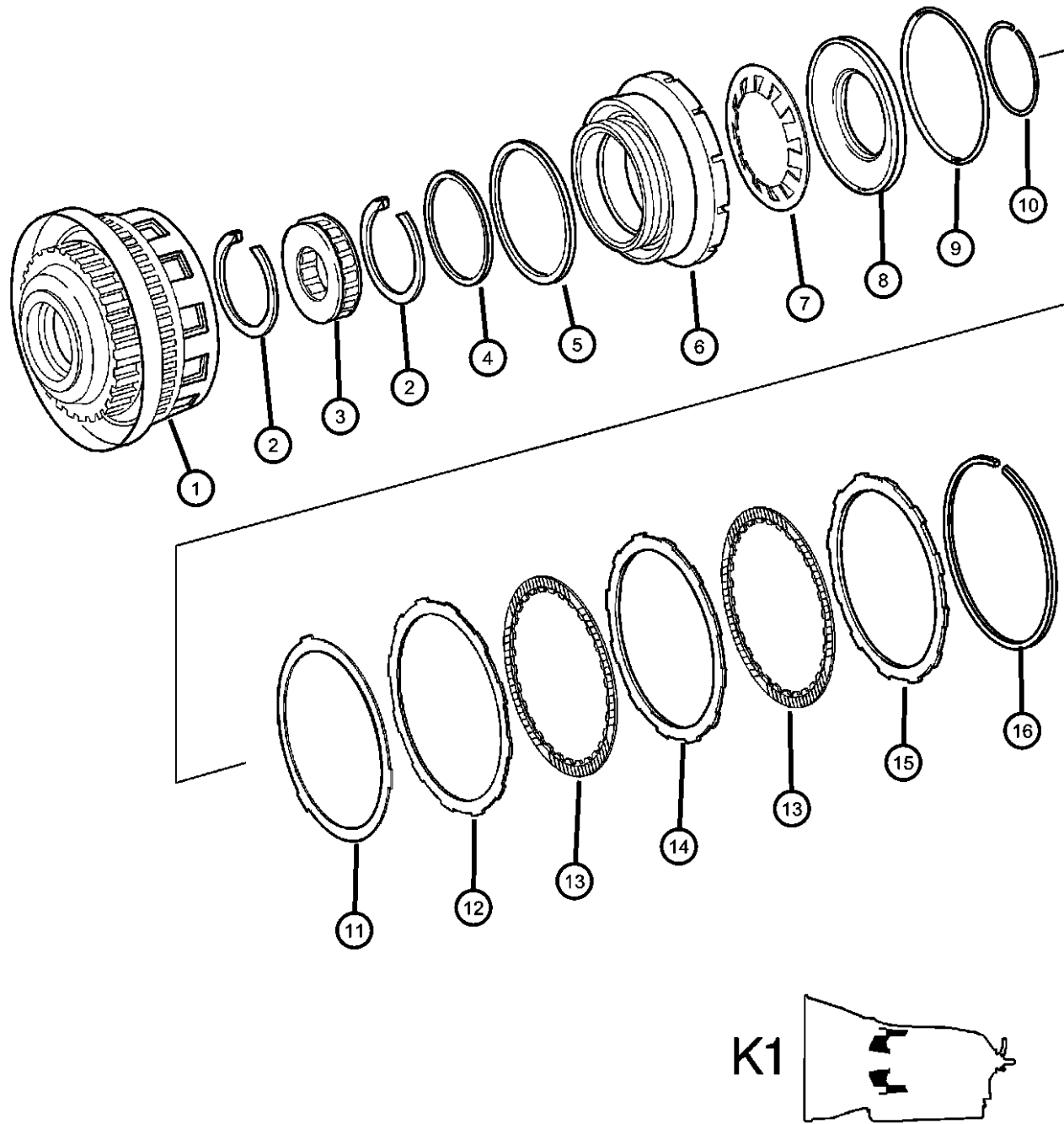
ENGINE
EKG = 3.7L V6 Engine
EVA = 4.7L V8 MPI Engine
EZB = 5.7L Hemi Multi
Displacement Engine

TRANSMISSION
DGQ = 5-Spd Automatic 5-45RFE
Transmission
DGJ = 5-Speed Automatic MB
Transmission

AR = use ase required - = Non illustrated part

2006 XK

Driving Clutch, Front Planetary / [K1]
Figure NAG1-420



ITEM	PART NUMBER	QTY	LINE	SERIES	BODY	ENGINE	TRANS	TRIM	DESCRIPTION
------	-------------	-----	------	--------	------	--------	-------	------	-------------

NOTE:
Sales Codes:
[DGJ]=5 Speed Automatic Transmission - [NAG1] - [W5A580]

1	52108510AB	1	T				DGJ		RETAINER, Clutch
		1	J				DGJ		
2	52107955AA	2	T				DGJ		SNAP RING
		2	J				DGJ		
3	52108342AB	1	T				DGJ		WHEEL
		1	J				DGJ		
4	52107938AA	1	T				DGJ		SEAL, Transmission
		1	J				DGJ		
5	52107939AA	1	T				DGJ		SEAL, Transmission
		1	J				DGJ		
6	52108059AA	1	T				DGJ		PISTON
		1	J				DGJ		
7	52108057AA	1	T				DGJ		DISC, Spring
		1	J				DGJ		
8	52108058AA	1	T				DGJ		SPRING, Retainer
		1	J				DGJ		
9	52107941AA	1	T				DGJ		SEAL, Transmission
		1	J				DGJ		
10	52107954AA	1	T				DGJ		SNAP RING
		1	J				DGJ		
11	52108024AA	1	J				DGJ		DISC, Spring
		1	T				DGJ		

NEW JEEP (XK)

SERIES LINE
H = HIGHLINE T = JEEP - 2WD
P = PREMIUM J = JEEP - 4WD

BODY
74 = SPORT UTILITY 4-DR

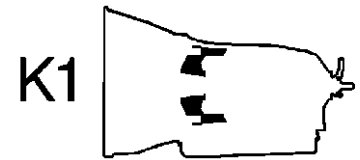
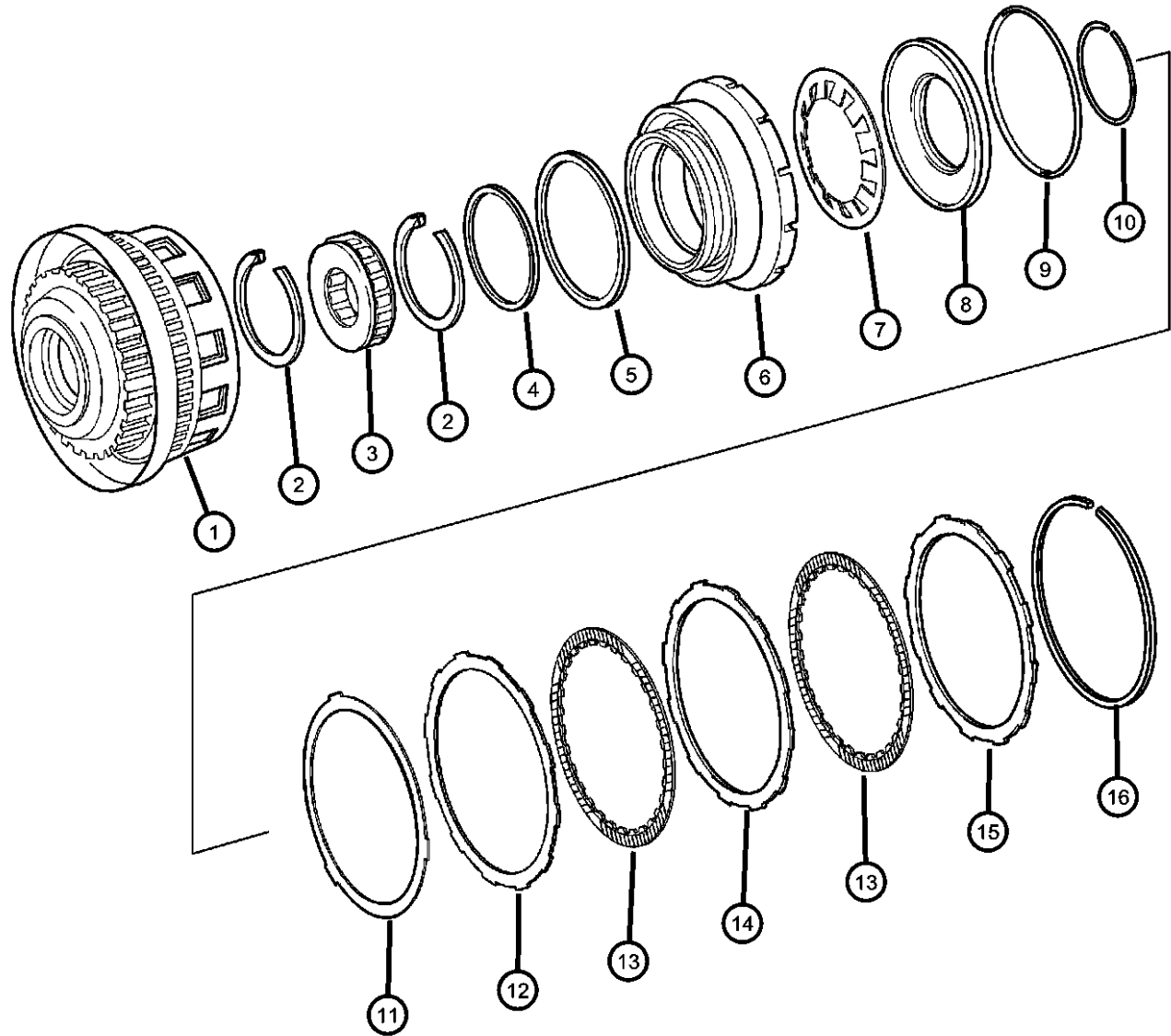
ENGINE
EKG = 3.7L V6 Engine
EVA = 4.7L V8 MPI Engine
EZB = 5.7L Hemi Multi
Displacement Engine

TRANSMISSION
DGQ = 5-Spd Automatic 5-45RFE
Transmission
DGJ = 5-Speed Automatic MB
Transmission

AR = use ase required - = Non illustrated part

2006 XK

Driving Clutch, Front Planetary / [K1]
Figure NAG1-420



ITEM	PART NUMBER	QTY	LINE	SERIES	BODY	ENGINE	TRANS	TRIM	DESCRIPTION
12	52108508AA	1	J				DGJ		DISC, Outer
		1	T				DGJ		
13	52108507AA	1	J				DGJ		DISC, Inner
		1	T				DGJ		
14	52107994AA	1	J				DGJ		DISC, Outer
		1	T				DGJ		
15	52107994AA	1	J				DGJ		DISC, Outer
		1	T				DGJ		
16	52107949AA	1	T				DGJ		SNAP RING [2.6MM]
	52107950AA	AR	T				DGJ		[2.9MM]
		AR	J				DGJ		[2.9MM]
	52107951AA	AR	T				DGJ		[3.2MM]
		AR	J				DGJ		[3.2MM]
		1	J				DGJ		[2.6MM]
	52107952AA	AR	T				DGJ		[3.5MM]
		AR	J				DGJ		[3.5MM]
	52108373AA	AR	T				DGJ		[3.8MM]
		AR	J				DGJ		[3.8MM]

NEW JEEP (XK)

SERIES LINE
H = HIGHLINE T = JEEP - 2WD
P = PREMIUM J = JEEP - 4WD

BODY
74 = SPORT UTILITY 4-DR

ENGINE
EKG = 3.7L V6 Engine
EVA = 4.7L V8 MPI Engine
EZB = 5.7L Hemi Multi
Displacement Engine

TRANSMISSION
DGQ = 5-Spd Automatic 5-45RFE
Transmission
DGJ = 5-Speed Automatic MB
Transmission

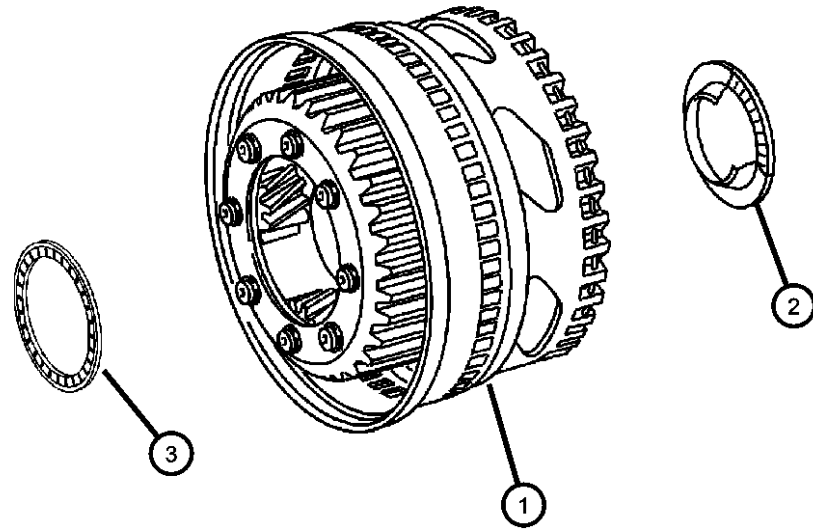
AR = use ase required - = Non illustrated part

2006 XK

**Planetary Carrier / [K1] - [VPLS]
Figure NAG1-430**

ITEM	PART NUMBER	QTY	LINE	SERIES	BODY	ENGINE	TRANS	TRIM	DESCRIPTION
------	-------------	-----	------	--------	------	--------	-------	------	-------------

NOTE:
Sales Codes:
[DGJ]=5 Speed Automatic Transmission - [NAG1] - [W5A580]



1	52108513AA	1	T				DGJ		CARRIER, Planetary
		1	J				DGJ		
2	52108123AA	1	T				DGJ		NEEDLE BEARING
		1	J				DGJ		
3	52108122AA	1	T				DGJ		NEEDLE BEARING
		1	J				DGJ		



NEW JEEP (XK)

SERIES LINE
H = HIGHLINE T = JEEP - 2WD
P = PREMIUM J = JEEP - 4WD

BODY
74 = SPORT UTILITY 4-DR

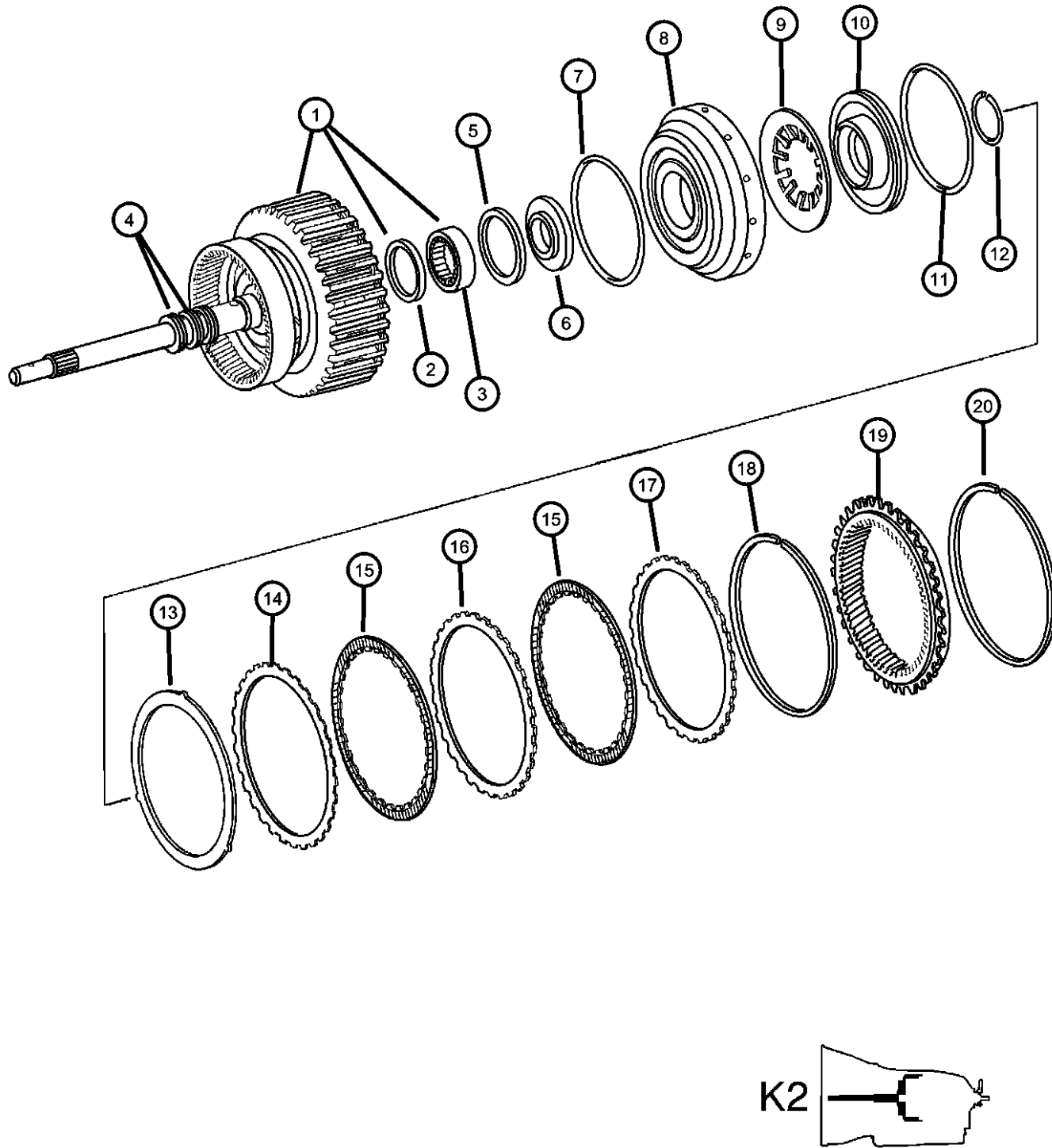
ENGINE
EKG = 3.7L V6 Engine
EVA = 4.7L V8 MPI Engine
EZB = 5.7L Hemi Multi Displacement Engine

TRANSMISSION
DGQ = 5-Spd Automatic 5-45RFE Transmission
DGJ = 5-Speed Automatic MB Transmission

AR = use ase required - = Non illustrated part

2006 XK

Driving Clutch / [K2]
Figure NAG1-440



ITEM	PART NUMBER	QTY	LINE	SERIES	BODY	ENGINE	TRANS	TRIM	DESCRIPTION
1	52108044AA	1	J				DGJ		SHAFT, Input
		1	T				DGJ		
2	52108127AA	1	J				DGJ		SEAL, Transmission
		1	T				DGJ		
3	52108126AA	1	J				DGJ		NEEDLE BEARING
		1	T				DGJ		
4	52108534AA	3	J				DGJ		SEAL, Transmission
		3	T				DGJ		
5	52108134AA	1	J				DGJ		SEAL, Transmission
		1	T				DGJ		
6	52107928AA	1	J				DGJ		PLATE
		1	T				DGJ		
7	52108135AA	1	J				DGJ		SEAL, Input Shaft
		1	T				DGJ		
8	52108517AA	1	J				DGJ		PISTON
		1	T				DGJ		
9	52108137AA	1	J				DGJ		DISC, Spring
		1	T				DGJ		
10	52108138AB	1	J				DGJ		SPRING, Retainer
		1	T				DGJ		
11	52108140AA	1	J				DGJ		SEAL, Transmission
		1	T				DGJ		

NOTE:
Sales Codes:
[DGJ]=5 Speed Automatic Transmission - [NAG1] - [W5A580]

NEW JEEP (XK)

SERIES LINE
H = HIGHLINE T = JEEP - 2WD
P = PREMIUM J = JEEP - 4WD

BODY
74 = SPORT UTILITY 4-DR

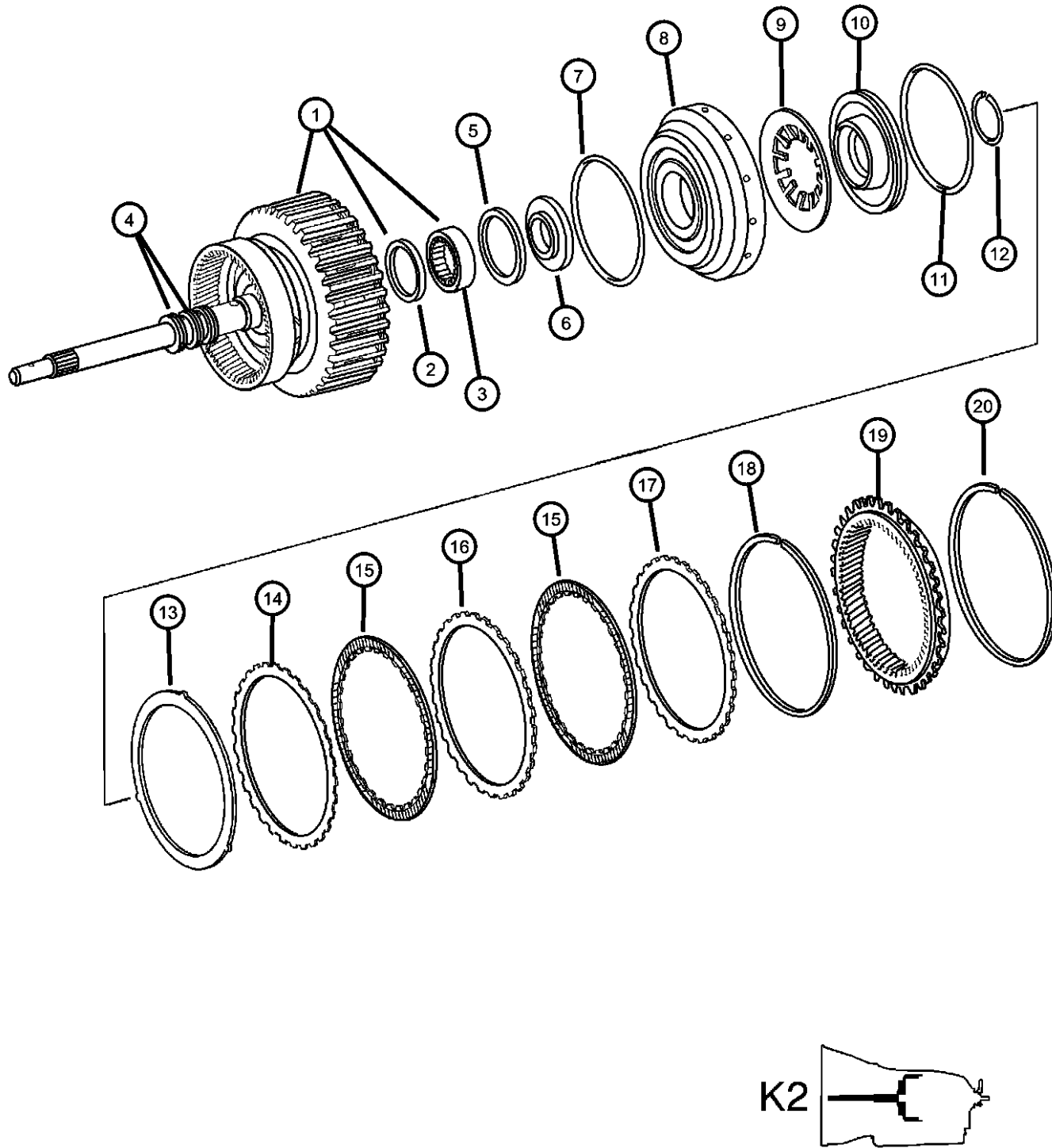
ENGINE
EKG = 3.7L V6 Engine
EVA = 4.7L V8 MPI Engine
EZB = 5.7L Hemi Multi Displacement Engine

TRANSMISSION
DGQ = 5-Spd Automatic 5-45RFE Transmission
DGJ = 5-Speed Automatic MB Transmission

AR = use ase required - = Non illustrated part

2006 XK

Driving Clutch / [K2]
Figure NAG1-440



ITEM	PART NUMBER	QTY	LINE	SERIES	BODY	ENGINE	TRANS	TRIM	DESCRIPTION
12	52108533AA	1	J				DGJ		SNAP RING
		1	T				DGJ		
13	52108346AA	1	J				DGJ		DISC, Spring
		1	T				DGJ		
14	52107996AA	1	J				DGJ		DISC, Outer
		1	T				DGJ		
15	52108141AB	5	J				DGJ		DISC, Inner
		5	T				DGJ		
16	52107997AA	4	J				DGJ		DISC, Outer
		4	T				DGJ		
17	52107998AA	1	J				DGJ		DISC, Outer
		1	T				DGJ		
18	52107958AA	AR	J				DGJ		SNAP RING Clutch Retainer [2.3MM]
		AR	T				DGJ		Clutch Retainer [2.3MM]
	52107959AA	AR	J				DGJ		Clutch Retainer [2.6MM]
		AR	T				DGJ		Clutch Retainer [2.6MM]
	52107960AA	AR	J				DGJ		Clutch Retainer [2.9MM]
		AR	T				DGJ		Clutch Retainer [2.9MM]
	52107961AA	AR	J				DGJ		Clutch Retainer [3.2MM]
		AR	T				DGJ		Clutch Retainer [3.2MM]
	52107962AA	AR	J				DGJ		Clutch Retainer [3.5MM]
		AR	T				DGJ		Clutch Retainer [3.5MM]
19	52107922AA	1	T				DGJ		GEAR, Rear Annulus
		1	J				DGJ		
20									SNAP RING

NEW JEEP (XK)

SERIES LINE
H = HIGHLINE T = JEEP - 2WD
P = PREMIUM J = JEEP - 4WD

BODY
74 = SPORT UTILITY 4-DR

ENGINE
EKG = 3.7L V6 Engine
EVA = 4.7L V8 MPI Engine
EZB = 5.7L Hemi Multi Displacement Engine

TRANSMISSION
DGQ = 5-Spd Automatic 5-45RFE Transmission
DGJ = 5-Speed Automatic MB Transmission

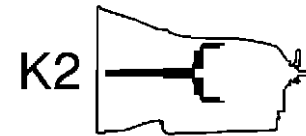
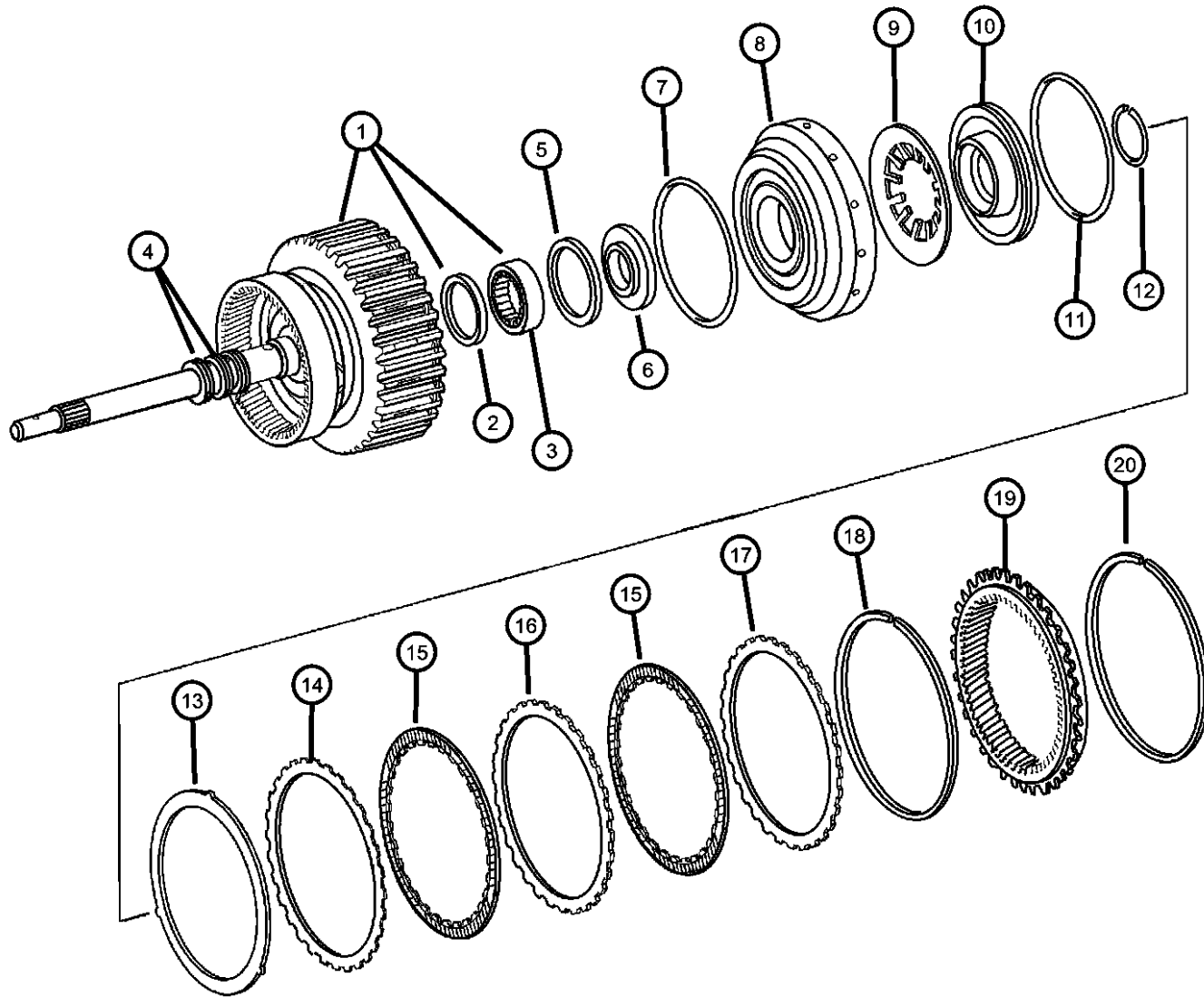
AR = use ase required - = Non illustrated part

2006 XK

Driving Clutch / [K2]
Figure NAG1-440

ITEM	PART NUMBER	QTY	LINE	SERIES	BODY	ENGINE	TRANS	TRIM	DESCRIPTION
------	-------------	-----	------	--------	------	--------	-------	------	-------------

	52107926AA	1	T				DGJ		
		1	J				DGJ		



NEW JEEP (XK)

SERIES	LINE
H = HIGHLINE	T = JEEP - 2WD
P = PREMIUM	J = JEEP - 4WD

BODY
74 = SPORT UTILITY 4-DR

ENGINE
EKG = 3.7L V6 Engine
EVA = 4.7L V8 MPI Engine
EZB = 5.7L Hemi Multi Displacement Engine

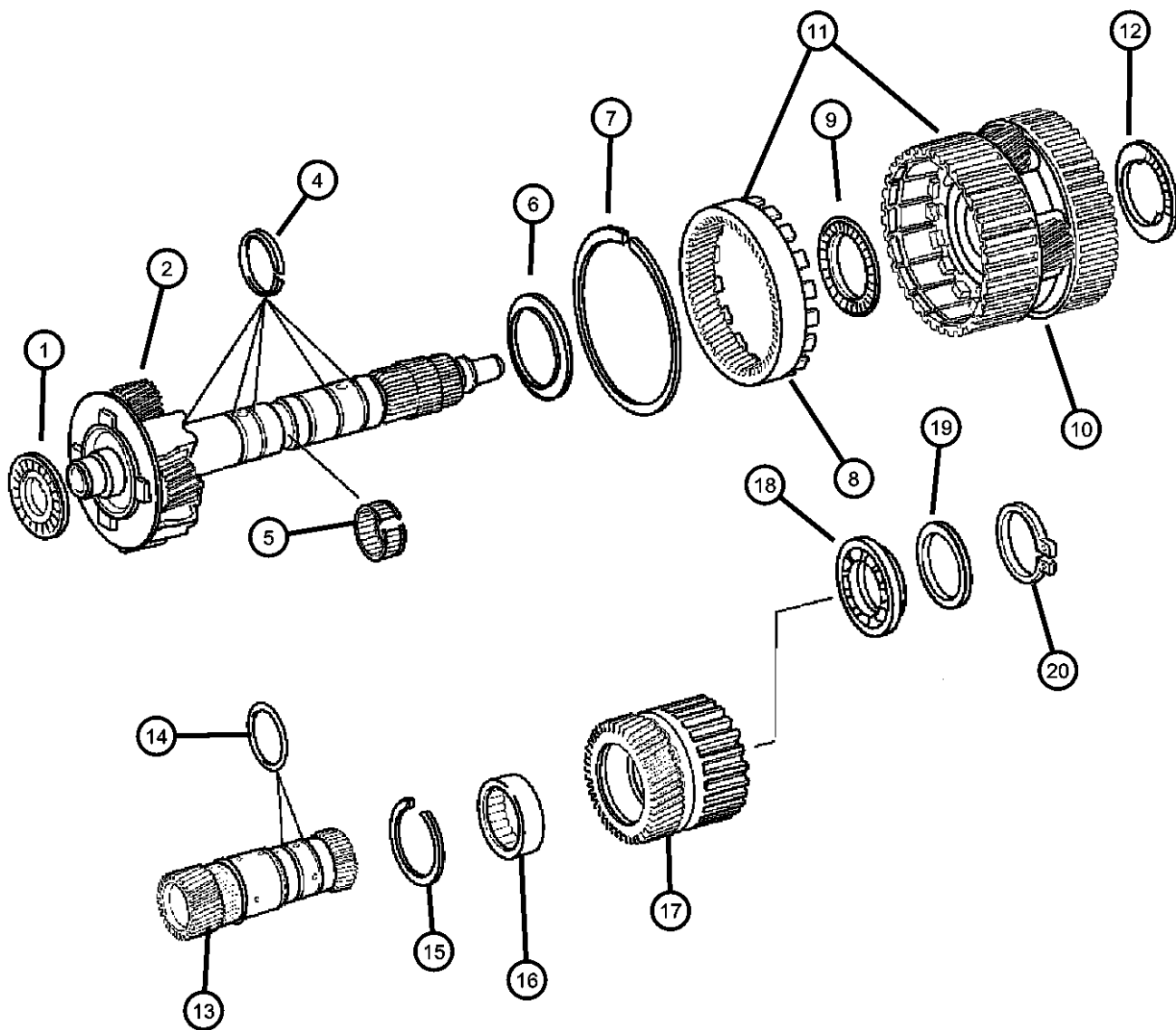
TRANSMISSION
DGQ = 5-Spd Automatic 5-45RFE Transmission
DGJ = 5-Speed Automatic MB Transmission

AR = use ase required - = Non illustrated part

2006 XK

Center & Rear Planetary Set - Output Shaft / [MPLS / HPLS]

Figure NAG1-450



MPLS/HPLS



ITEM	PART NUMBER	QTY	LINE	SERIES	BODY	ENGINE	TRANS	TRIM	DESCRIPTION
1	52107927AA	1	J				DGJ		NEEDLE BEARING
2	52107929AA	1	T				DGJ		SHAFT, Output
-3	52108390AA	1	J				DGJ		BALL, Check
4	52108427AA	5	T				DGJ		SEAL, Transmission
5	52108069AA	1	T				DGJ		NEEDLE BEARING
6	52108070AA	1	T				DGJ		PLATE
7	52108374AA	1	T				DGJ		SNAP RING
8	52108376AA	1	T				DGJ		GEAR, Annulus
9	52107931AA	1	T				DGJ		NEEDLE BEARING
10	52108072AA	1	T				DGJ		CARRIER, Planetary
11	52108071AA	1	T				DGJ		CARRIER, Planetary Assembly

NOTE:

Sales Codes:

[DGJ]=5 Speed Automatic Transmission - [NAG1] - [W5A580]

[EK0]=ALL 3.7L V-6 Engines

NEW JEEP (XK)

SERIES LINE
 H = HIGHLINE T = JEEP - 2WD
 P = PREMIUM J = JEEP - 4WD

BODY
 74 = SPORT UTILITY 4-DR

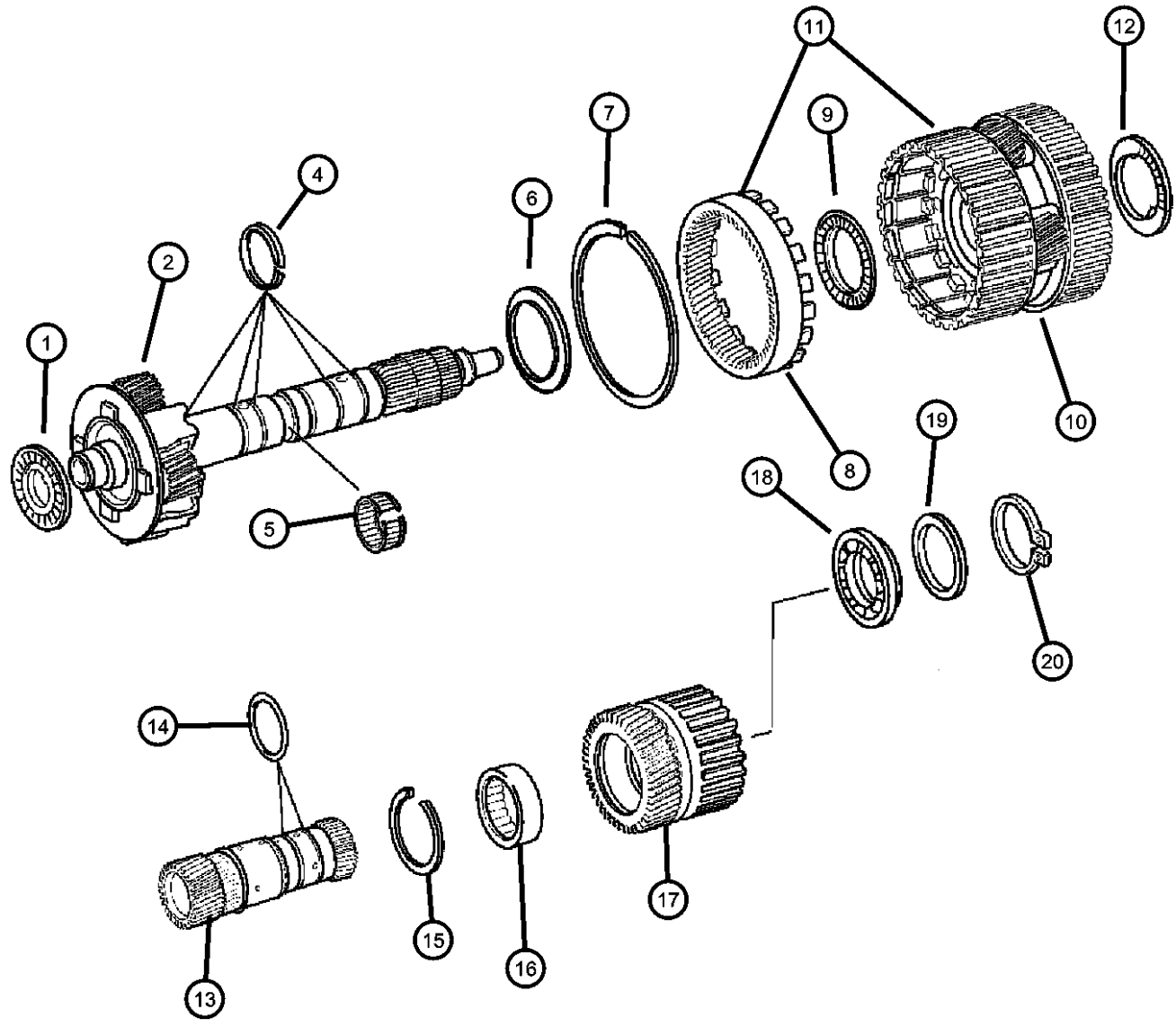
ENGINE
 EKG = 3.7L V6 Engine
 EVA = 4.7L V8 MPI Engine
 EZB = 5.7L Hemi Multi Displacement Engine

TRANSMISSION
 DGQ = 5-Spd Automatic 5-45RFE Transmission
 DGJ = 5-Speed Automatic MB Transmission

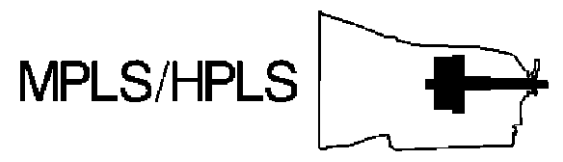
AR = use ase required - = Non illustrated part

2006 XK

**Center & Rear Planetary Set - Output Shaft / [MPLS / HPLS]
Figure NAG1-450**



ITEM	PART NUMBER	QTY	LINE	SERIES	BODY	ENGINE	TRANS	TRIM	DESCRIPTION
		1	J				DGJ		Assembly
12	52107932AA	1	T				DGJ		NEEDLE BEARING
		1	J				DGJ		
13	52108078AA	1	T				DGJ		GEAR, Sun
		1	J				DGJ		
14	52108085AA	2	T				DGJ		SEAL, Transmission
		2	J				DGJ		
15	52107966AA	1	T				DGJ		SNAP RING
		1	J				DGJ		
16	52108522AA	1	T				DGJ		BEARING, Output Shaft
		1	J				DGJ		
17	52108519AA	1	T				DGJ		GEAR, Sun
		1	J				DGJ		
18	52108084AA	1	J				DGJ		BEARING
		1	T				DGJ		
19	52108379AA	1	T				DGJ		SPACER
		1	J				DGJ		
20	52107967AA	1	T				DGJ		SNAP RING
		1	J				DGJ		

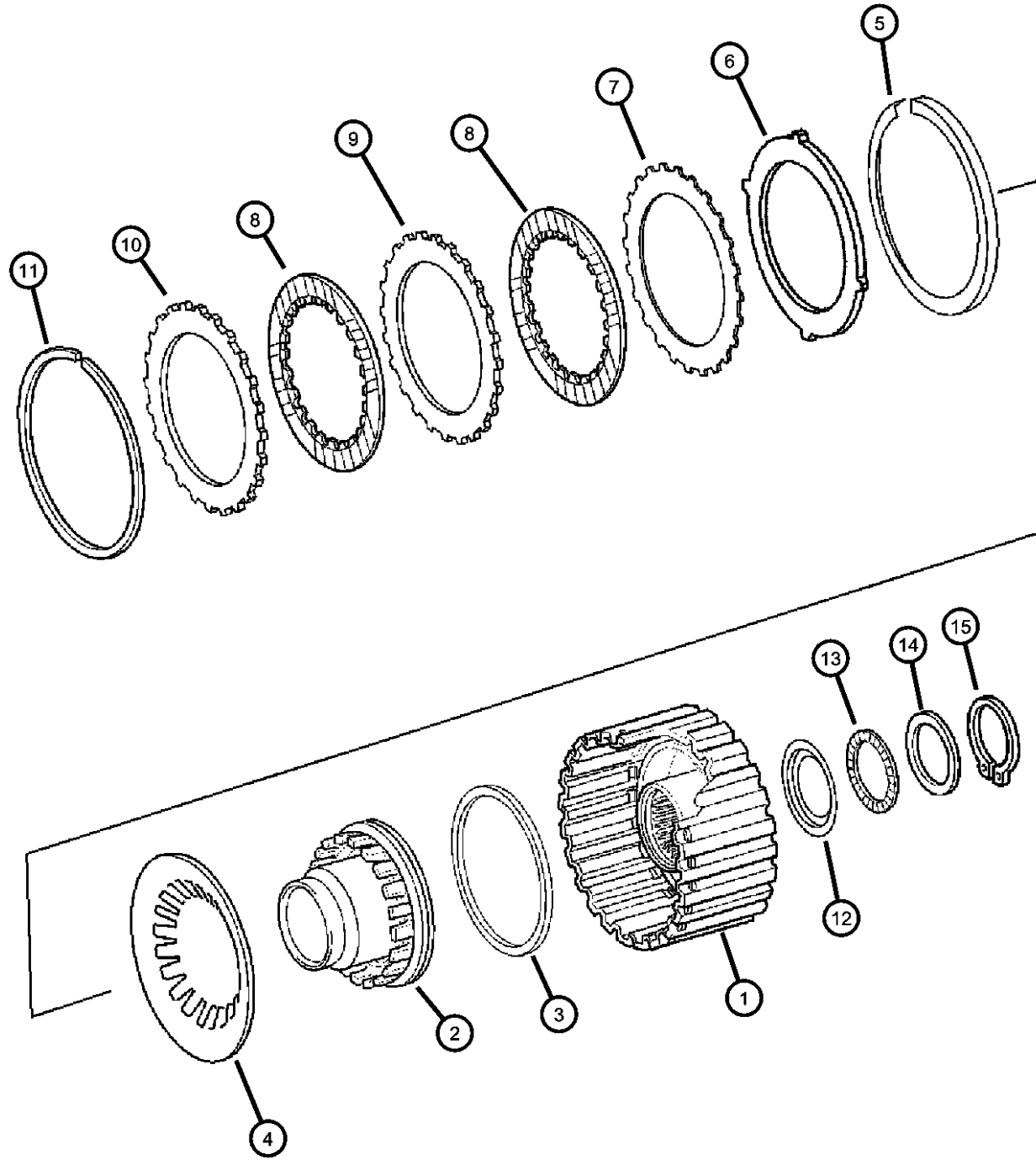


NEW JEEP (XK)

SERIES	LINE	BODY	ENGINE	TRANSMISSION
H = HIGHLINE	T = JEEP - 2WD	74 = SPORT UTILITY 4-DR	EKG = 3.7L V6 Engine	DGQ = 5-Spd Automatic 5-45RFE
P = PREMIUM	J = JEEP - 4WD		EVA = 4.7L V8 MPI Engine	Transmission
			EZB = 5.7L Hemi Multi Displacement Engine	DGJ = 5-Speed Automatic MB Transmission

AR = use ase required - = Non illustrated part

Driving Clutch / [K2]
Figure NAG1-460



ITEM	PART NUMBER	QTY	LINE	SERIES	BODY	ENGINE	TRANS	TRIM	DESCRIPTION
1	52108524AA	1	T				DGJ		RETAINER, Clutch
		1	J				DGJ		
2	52108094AA	1	T				DGJ		PISTON
		1	J				DGJ		
3	52108093AA	1	T				DGJ		SEAL, Transmission
		1	J				DGJ		
4	52108095AA	1	T				DGJ		DISC, Spring
		1	J				DGJ		
5	52107968AA	1	J				DGJ		SNAP RING
		1	T				DGJ		
6	52108096AA	1	T				DGJ		DISC, Spring
		1	J				DGJ		
7	52108529AA	4	T				DGJ		DISC, Outer [2.8MM]
		4	J				DGJ		[2.8MM]
8	52108528AA	4	T				DGJ		DISC, Inner
		4	J				DGJ		
9	52108529AA	4	T				DGJ		DISC, Outer [2.8MM]
		4	J				DGJ		[2.8MM]
10	52108011AA	1	J				DGJ		DISC, Outer
		1	T				DGJ		
11	52107970AA	AR	T				DGJ		SNAP RING [2.3MM]

NOTE:

Sales Codes:

[DGJ]=5 Speed Automatic Transmission - [NAG1] - [W5A580]

[EK0]=All 3.7L V-6 Engine

NEW JEEP (XK)

SERIES LINE

H = HIGHLINE T = JEEP - 2WD

P = PREMIUM J = JEEP - 4WD

BODY

74 = SPORT UTILITY 4-DR

ENGINE

EKG = 3.7L V6 Engine

EVA = 4.7L V8 MPI Engine

EZB = 5.7L Hemi Multi
Displacement Engine

TRANSMISSION

DGQ = 5-Spd Automatic 5-45RFE

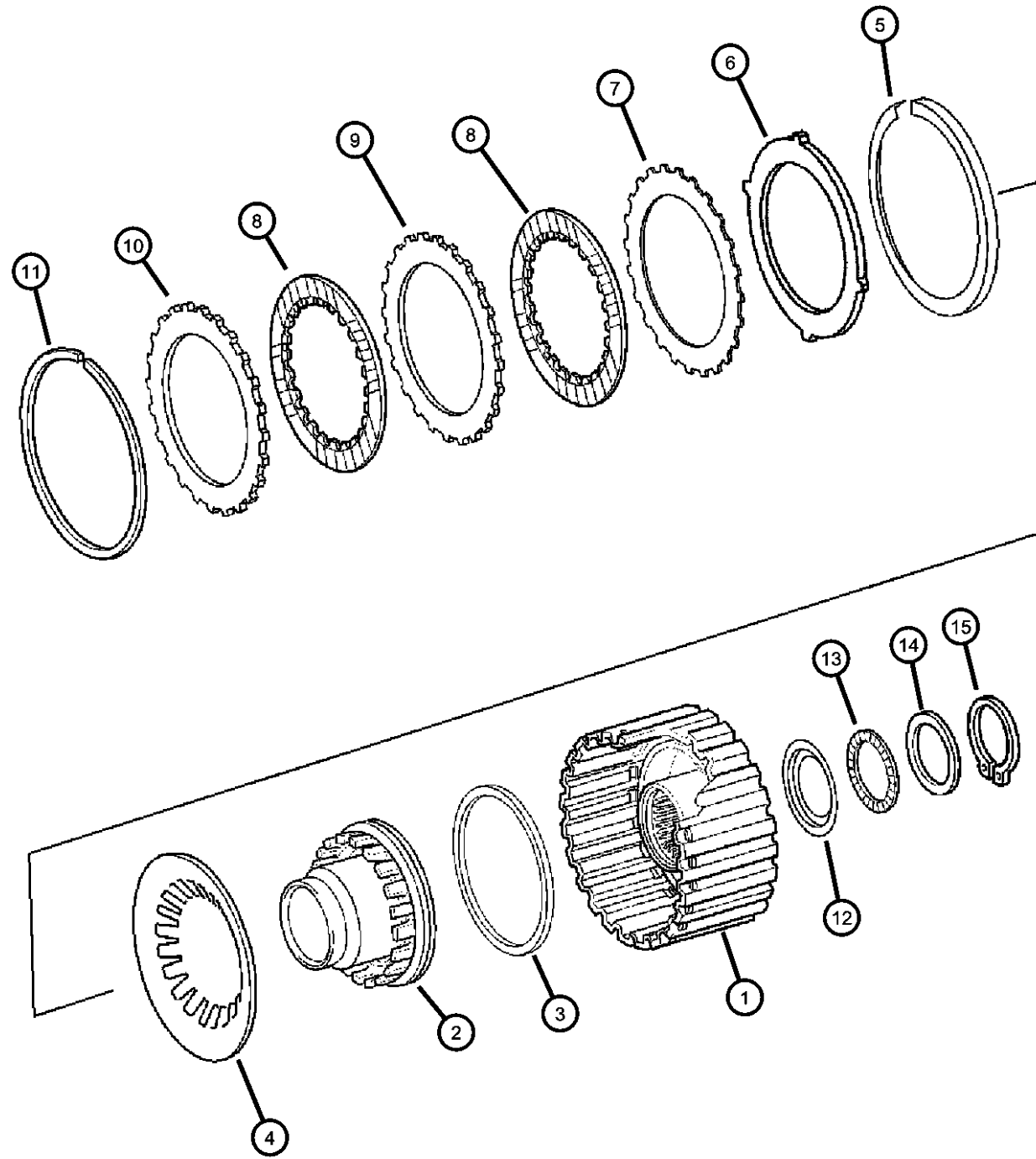
Transmission

DGJ = 5-Speed Automatic MB
Transmission

AR = use ase required - = Non illustrated part

2006 XK

Driving Clutch / [K2]
Figure NAG1-460



ITEM	PART NUMBER	QTY	LINE	SERIES	BODY	ENGINE	TRANS	TRIM	DESCRIPTION
		AR	J				DGJ		[2.3MM]
	52107971AA	AR	T				DGJ		[2.6MM]
		AR	J				DGJ		[2.6MM]
	52107972AA	AR	T				DGJ		[2.9MM]
		AR	J				DGJ		[2.9MM]
	52107974AA	AR	T				DGJ		[2.0MM]
		AR	J				DGJ		[2.0MM]
12									SPACER
	52108148AA	1	J				DGJ		
		1	T				DGJ		
13									NEEDLE BEARING
	52108152AA	1	T				DGJ		
		1	J				DGJ		
14									PLATE
	52108149AA	AR	T				DGJ		[3.7MM]
		AR	J				DGJ		[3.7MM]
	52108150AA	AR	T				DGJ		[3.1MM]
		AR	J				DGJ		[3.1MM]
	52108151AA	AR	T				DGJ		[3.4MM]
		AR	J				DGJ		[3.4MM]
15									RING
	06507358AA	1	T				DGJ		
		1	J				DGJ		

NEW JEEP (XK)

SERIES LINE
H = HIGHLINE T = JEEP - 2WD
P = PREMIUM J = JEEP - 4WD

BODY
74 = SPORT UTILITY 4-DR

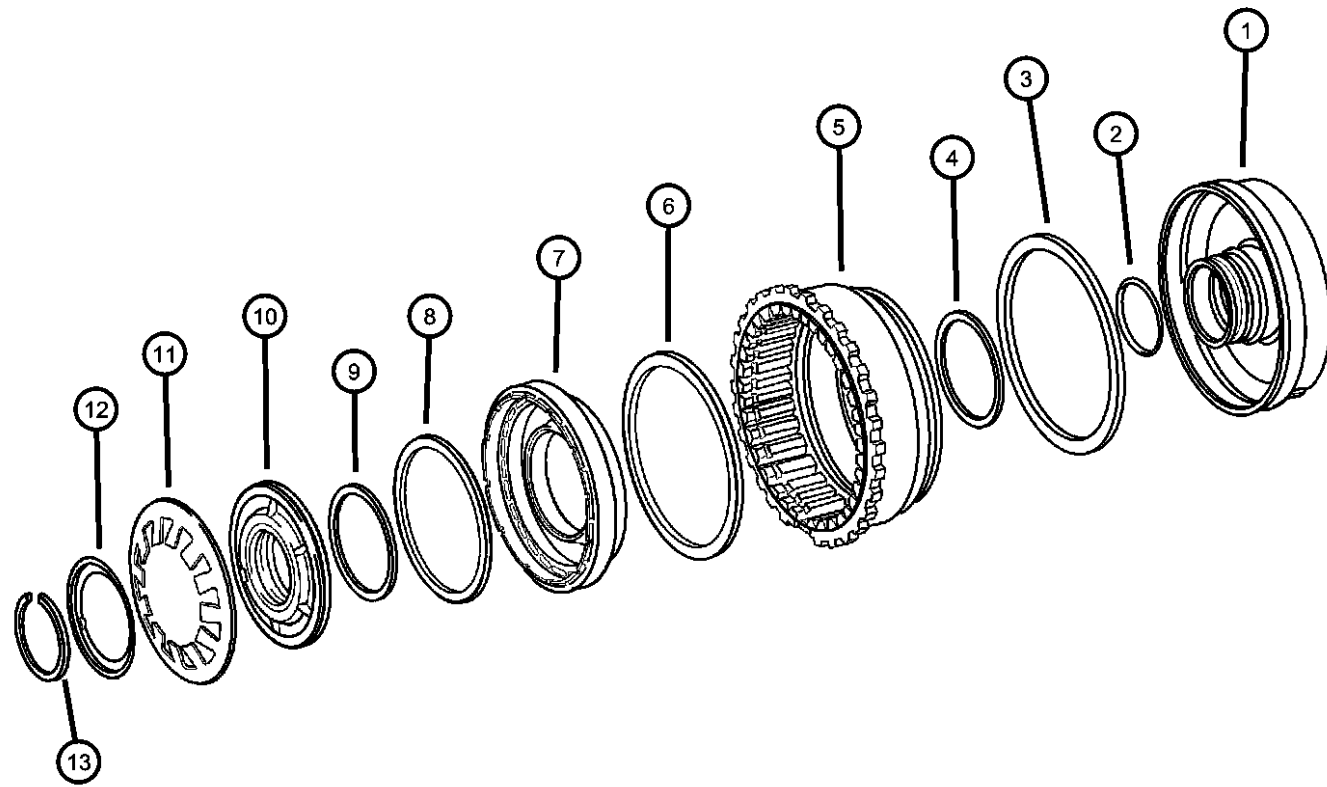
ENGINE
EKG = 3.7L V6 Engine
EVA = 4.7L V8 MPI Engine
EZB = 5.7L Hemi Multi
Displacement Engine

TRANSMISSION
DGQ = 5-Spd Automatic 5-45RFE
Transmission
DGJ = 5-Speed Automatic MB
Transmission

AR = use ase required - = Non illustrated part

2006 XK

**Multiple Disc Brake & Parking Lock Gearwheel / [B2 & B3]
Figure NAG1-470**



B2/B3



ITEM	PART NUMBER	QTY	LINE	SERIES	BODY	ENGINE	TRANS	TRIM	DESCRIPTION
NOTE: Sales Codes: [DGJ]=5 Speed Automatic Transmission - [NAG1] - [W5A580] [EK0]=All 3.7L V-6 Engines									
1	52108182AA	1	T				DGJ		PLUNGER
		1	J				DGJ		
2	52108185AA	2	T				DGJ		SEAL, Transmission
		2	J				DGJ		
3	52108188AA	1	T				DGJ		SEAL, Transmission
		1	J				DGJ		
4	52108189AA	1	T				DGJ		SEAL, Transmission
		1	J				DGJ		
5	52108395AA	1	T				DGJ		PISTON
		1	J				DGJ		
6	52108199AA	1	T				DGJ		SEAL, Transmission
		1	J				DGJ		
7	52108191AA	1	T				DGJ		PISTON
		1	J				DGJ		
8	52108200AA	1	T				DGJ		SEAL, Transmission
		1	J				DGJ		
9	52108201AA	1	T				DGJ		SEAL, Transmission
		1	J				DGJ		
10	52108351AA	1	T				DGJ		RING, Piston
		1	J				DGJ		
11	52108202AA	1	T				DGJ		DISC, Spring

NEW JEEP (XK)

SERIES LINE
H = HIGHLINE T = JEEP - 2WD
P = PREMIUM J = JEEP - 4WD

BODY
74 = SPORT UTILITY 4-DR

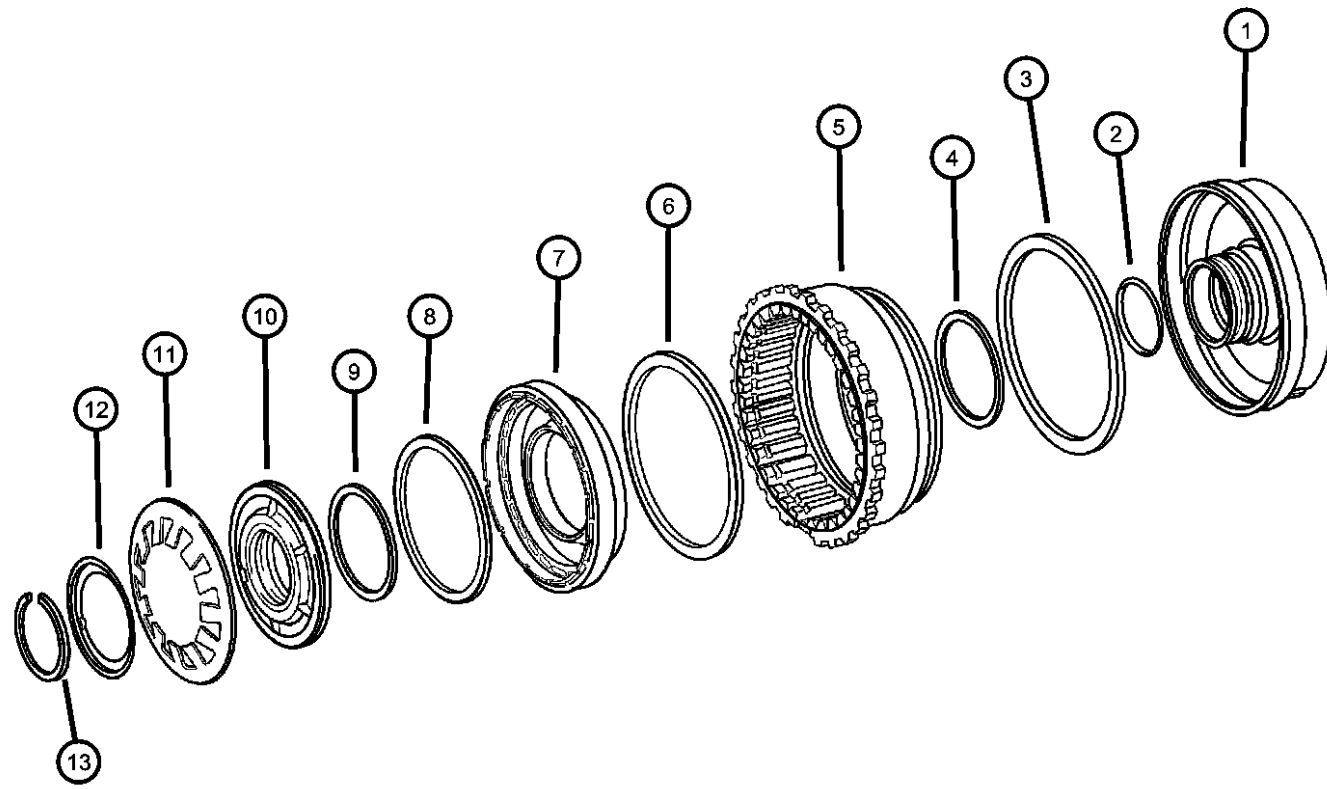
ENGINE
EKG = 3.7L V6 Engine
EVA = 4.7L V8 MPI Engine
EZB = 5.7L Hemi Multi Displacement Engine

TRANSMISSION
DGQ = 5-Spd Automatic 5-45RFE Transmission
DGJ = 5-Speed Automatic MB Transmission

AR = use ase required - = Non illustrated part

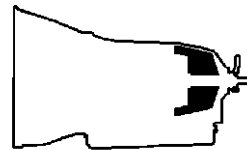
2006 XK

**Multiple Disc Brake & Parking Lock Gearwheel / [B2 & B3]
Figure NAG1-470**



ITEM	PART NUMBER	QTY	LINE	SERIES	BODY	ENGINE	TRANS	TRIM	DESCRIPTION
		1	J				DGJ		
12	52108203AA	1	T				DGJ		SPRING, Retainer
		1	J				DGJ		
13	52107977AA	1	T				DGJ		SNAP RING
		1	J				DGJ		

B2/B3



NEW JEEP (XK)

SERIES LINE
 H = HIGHLINE T = JEEP - 2WD
 P = PREMIUM J = JEEP - 4WD

BODY
 74 = SPORT UTILITY 4-DR

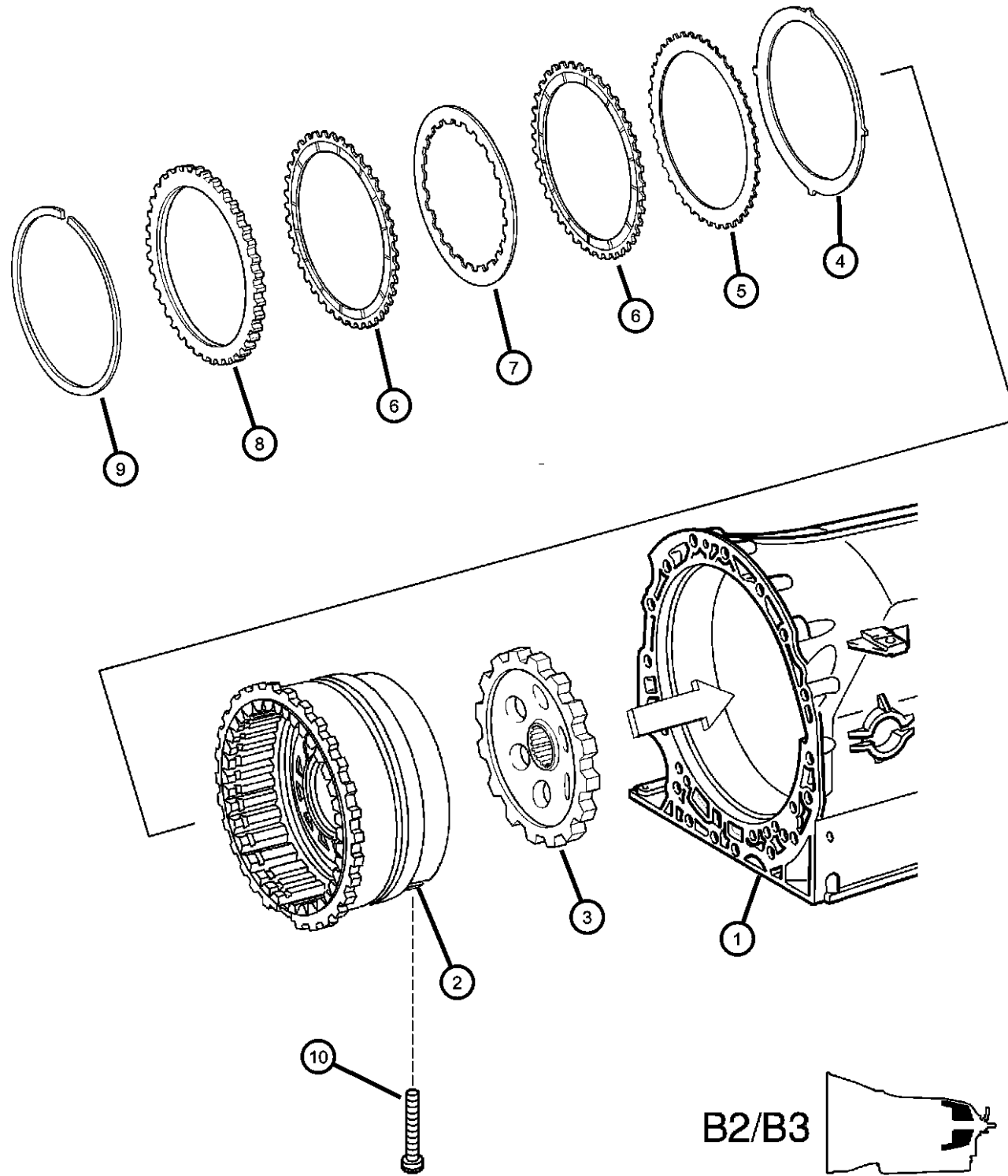
ENGINE
 EKG = 3.7L V6 Engine
 EVA = 4.7L V8 MPI Engine
 EZB = 5.7L Hemi Multi
 Displacement Engine

TRANSMISSION
 DGQ = 5-Spd Automatic 5-45RFE
 Transmission
 DGJ = 5-Speed Automatic MB
 Transmission

AR = use ase required - = Non illustrated part

2006 XK

**Multiple Disc Brake & Parking Lock Gearwheel / [B2 & B3]
Figure NAG1-480**



ITEM	PART NUMBER	QTY	LINE	SERIES	BODY	ENGINE	TRANS	TRIM	DESCRIPTION
------	-------------	-----	------	--------	------	--------	-------	------	-------------

NOTE: Drum Package Is Not Serviced In An Assembly. Please See Illustration [#470] Callouts [1,2,3,4 & 5] To Obtain Part Numbers
Sales Codes:

[DGJ]=5 Speed Automatic Transmission - [NAG1] - [W5A580]
[EK0]=All 3.7L V-6 Engines

1		1							CASE, Transmission, See Illustration [#210], (NOT SERVICED)
2		1							DRUM PACKAGE, Transmission, See Illustration [#470] Callout [#1,2,3,4 & 5], (NOT SERVICED)
3									LOCK, Parking Wheel
	52108180AA	1	T				DGJ		
		1	J				DGJ		
4									DISC, Spring
	52108354AA	1	T				DGJ		
		1	J				DGJ		
5									DISC, Outer
	52108013AA	1	T				DGJ		
		1	J				DGJ		
6									DISC, Outer
	52108572AA	5	T				DGJ		
		5	J				DGJ		
7									DISC, Inner
	52108015AA	4	T				DGJ		
		4	J				DGJ		
8									DISC, Outer
	52108014AA	1	T				DGJ		
		1	J				DGJ		
9									SNAP RING
	52107979AA	AR	T				DGJ		[4.1MM]
		AR	J				DGJ		[4.1MM]
	52107980AA	AR	T				DGJ		[3.8MM]
		AR	J				DGJ		[3.8MM]
	52107981AA	AR	T				DGJ		[3.5MM]
		AR	J				DGJ		[3.5MM]
	52107982AA	AR	T				DGJ		[3.2MM]
		AR	J				DGJ		[3.2MM]
	52107983AA	AR	T				DGJ		[2.9MM]

NEW JEEP (XK)

SERIES LINE
H = HIGHLINE T = JEEP - 2WD
P = PREMIUM J = JEEP - 4WD

BODY
74 = SPORT UTILITY 4-DR

ENGINE
EKG = 3.7L V6 Engine
EVA = 4.7L V8 MPI Engine
EZB = 5.7L Hemi Multi Displacement Engine

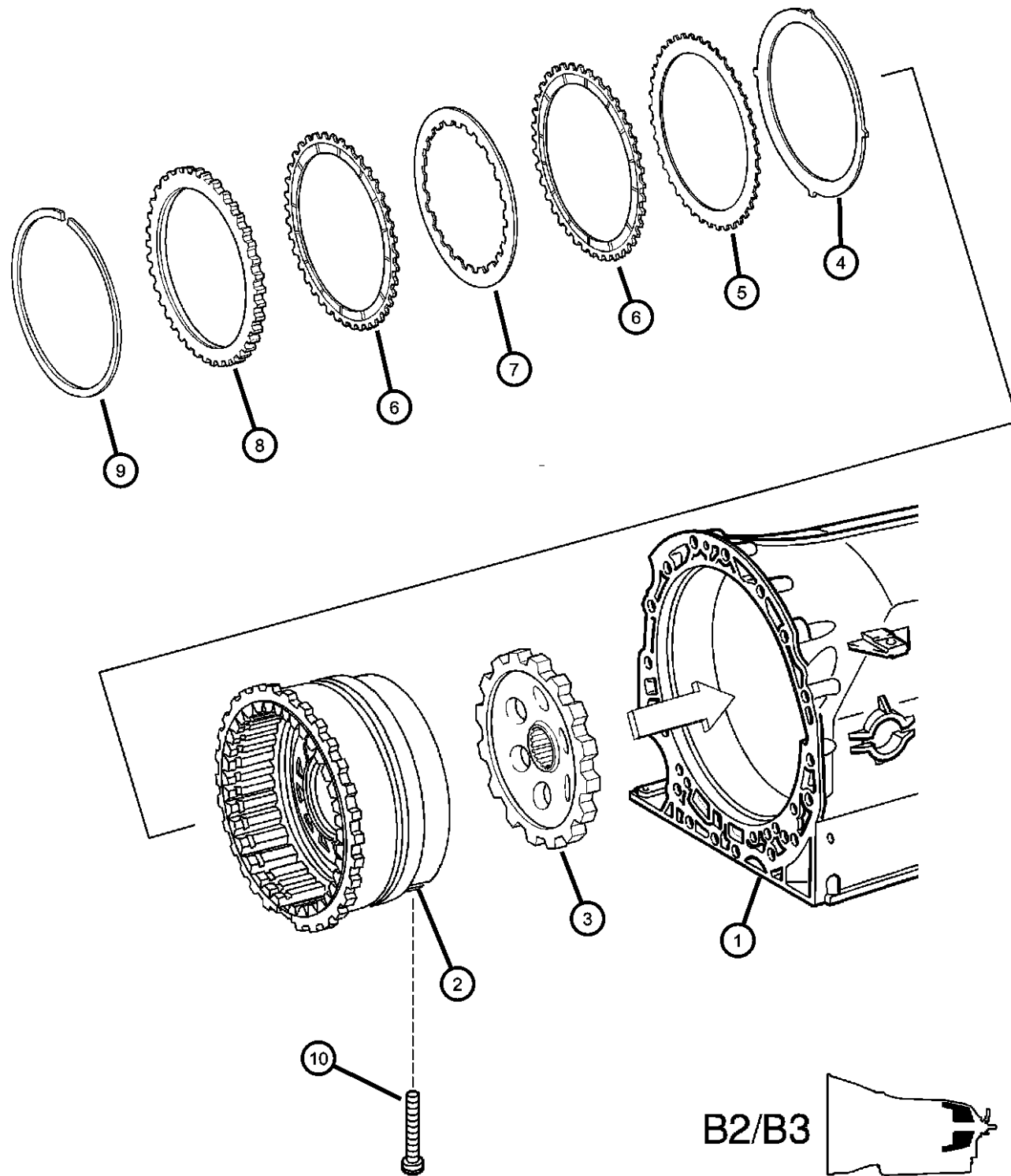
TRANSMISSION
DGQ = 5-Spd Automatic 5-45RFE Transmission
DGJ = 5-Speed Automatic MB Transmission

AR = use ase required - = Non illustrated part

2006 XK

**Multiple Disc Brake & Parking Lock Gearwheel / [B2 & B3]
Figure NAG1-480**

ITEM	PART NUMBER	QTY	LINE	SERIES	BODY	ENGINE	TRANS	TRIM	DESCRIPTION
------	-------------	-----	------	--------	------	--------	-------	------	-------------



10	52108205AA	2	T				DGJ		[2.9MM] SCREW
		2	J				DGJ		

NEW JEEP (XK)

SERIES LINE

H = HIGHLINE T = JEEP - 2WD
P = PREMIUM J = JEEP - 4WD

BODY

74 = SPORT UTILITY 4-DR

ENGINE

EKG = 3.7L V6 Engine
EVA = 4.7L V8 MPI Engine
EZB = 5.7L Hemi Multi
Displacement Engine

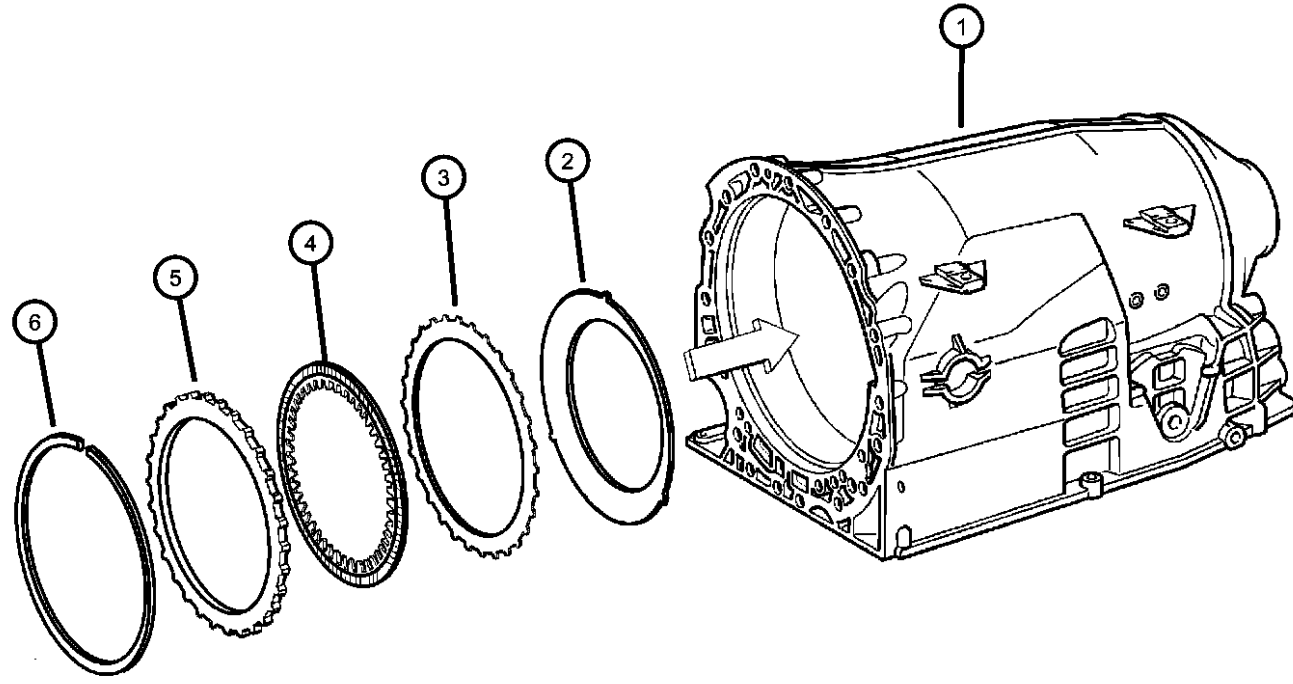
TRANSMISSION

DGQ = 5-Spd Automatic 5-45RFE
Transmission
DGJ = 5-Speed Automatic MB
Transmission

AR = use ase required - = Non illustrated part

2006 XK

**Multiple Disc Brake & Parking Lock Gearwheel / [B2 & B3]
Figure NAG1-490**



ITEM	PART NUMBER	QTY	LINE	SERIES	BODY	ENGINE	TRANS	TRIM	DESCRIPTION
------	-------------	-----	------	--------	------	--------	-------	------	-------------

NOTE:
Sales Codes:
[DGJ]=5 Speed Automatic Transmission - [NAG1] - [W5A580]

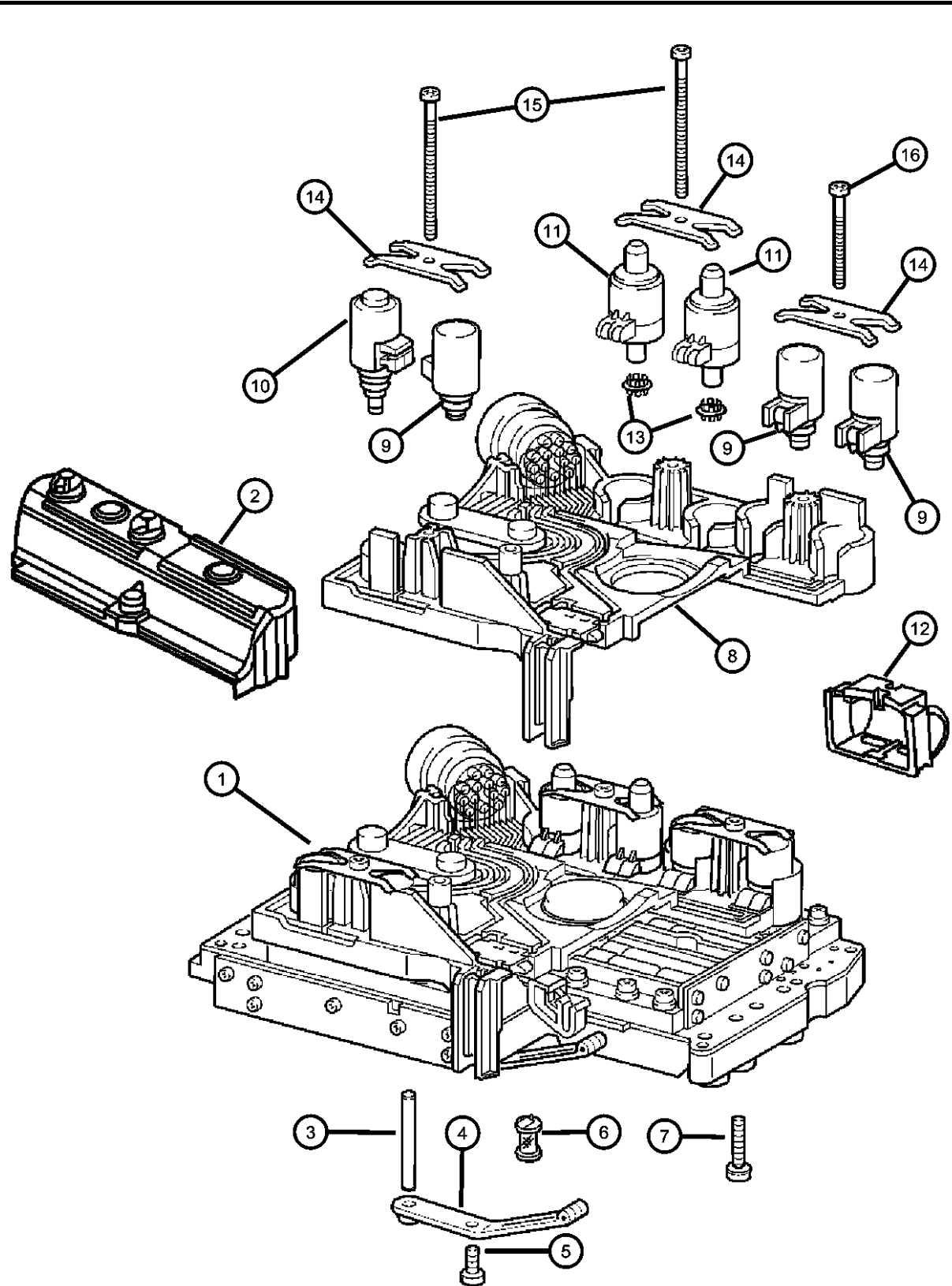
1		2							HOUSING, Transmission Case, Serviced With Transmission Assembly, (NOT SERVICED)
2	52108356AA	1	T				DGJ		DISC, Spring
		1	J				DGJ		
3	52108017AA	5	T				DGJ		DISC, Outer
		5	J				DGJ		
4	52108573AA	5	T				DGJ		DISC, Inner
		5	J				DGJ		
5	52108018AA	1	T				DGJ		DISC, Outer
		1	J				DGJ		[6.5MM]
6									SNAP RING
	52107985AA	AR	T				DGJ		[3.2MM]
		AR	J				DGJ		[3.2MM]
	52107986AA	AR	T				DGJ		[3.5MM]
		AR	J				DGJ		[3.5MM]
	52107987AA	AR	T				DGJ		[3.8MM]
		AR	J				DGJ		[3.8MM]
	52107988AA	AR	T				DGJ		[4.1MM]
		AR	J				DGJ		[4.1MM]
	52107989AA	AR	T				DGJ		[4.4MM]
		AR	J				DGJ		[4.4MM]
	52107990AA	AR	T				DGJ		[4.8MM]
		AR	J				DGJ		[4.8MM]



NEW JEEP (XK)				
SERIES	LINE	BODY	ENGINE	TRANSMISSION
H = HIGHLINE	T = JEEP - 2WD	74 = SPORT UTILITY 4-DR	EKG = 3.7L V6 Engine	DGQ = 5-Spd Automatic 5-45RFE
P = PREMIUM	J = JEEP - 4WD		EVA = 4.7L V8 MPI Engine	Transmission
			EZB = 5.7L Hemi Multi Displacement Engine	DGJ = 5-Speed Automatic MB Transmission

AR = use ase required - = Non illustrated part

**Electronic / Hydraulic Control Unit
Figure NAG1-710**



ITEM	PART NUMBER	QTY	LINE	SERIES	BODY	ENGINE	TRANS	TRIM	DESCRIPTION
------	-------------	-----	------	--------	------	--------	-------	------	-------------

NOTE: Valve Body Connector Includes Speed Sensor
Sales Codes:
[DGJ]=5 Speed Automatic Transmission - [NAG1] - [W5A580]
[EK0]=All 3.7L V-6 Engines

1	52108213AA	1	T				DGJ		VALVE BODY, Complete
		1	J				DGJ		
2	52108320AA	1	T				DGJ		SHIELD, Transmission Solenoid
		1	J				DGJ		
3	05098951AA	1	T				DGJ		DOWEL
		1	J				DGJ		
4	52108258AA	1	T				DGJ		SPRING
		1	J				DGJ		
5	52108266AB	1	T				DGJ		SCREW
		1	J				DGJ		
6	52108304AA	2	J				DGJ		FILTER, Transmission Oil
		2	T				DGJ		
7	52108267AA	10	T				DGJ		SCREW
		10	J				DGJ		
8	52108308AB	1	T				DGJ		CONNECTOR
		1	J				DGJ		
9	05134760AA	3	T				DGJ		SOLENOID, Transmission Shift Solenoid
		3	J				DGJ		Shift Solenoid
10	52108314AA	1	T				DGJ		SOLENOID, Transmission Lock Up Solenoid
		1	J				DGJ		Lock Up Solenoid
11	05138838AA	2	T				DGJ		SOLENOID, Transmission Pressure Solenoid

NEW JEEP (XK)

SERIES LINE
H = HIGHLINE T = JEEP - 2WD
P = PREMIUM J = JEEP - 4WD

BODY
74 = SPORT UTILITY 4-DR

ENGINE
EKG = 3.7L V6 Engine
EVA = 4.7L V8 MPI Engine
EZB = 5.7L Hemi Multi
Displacement Engine

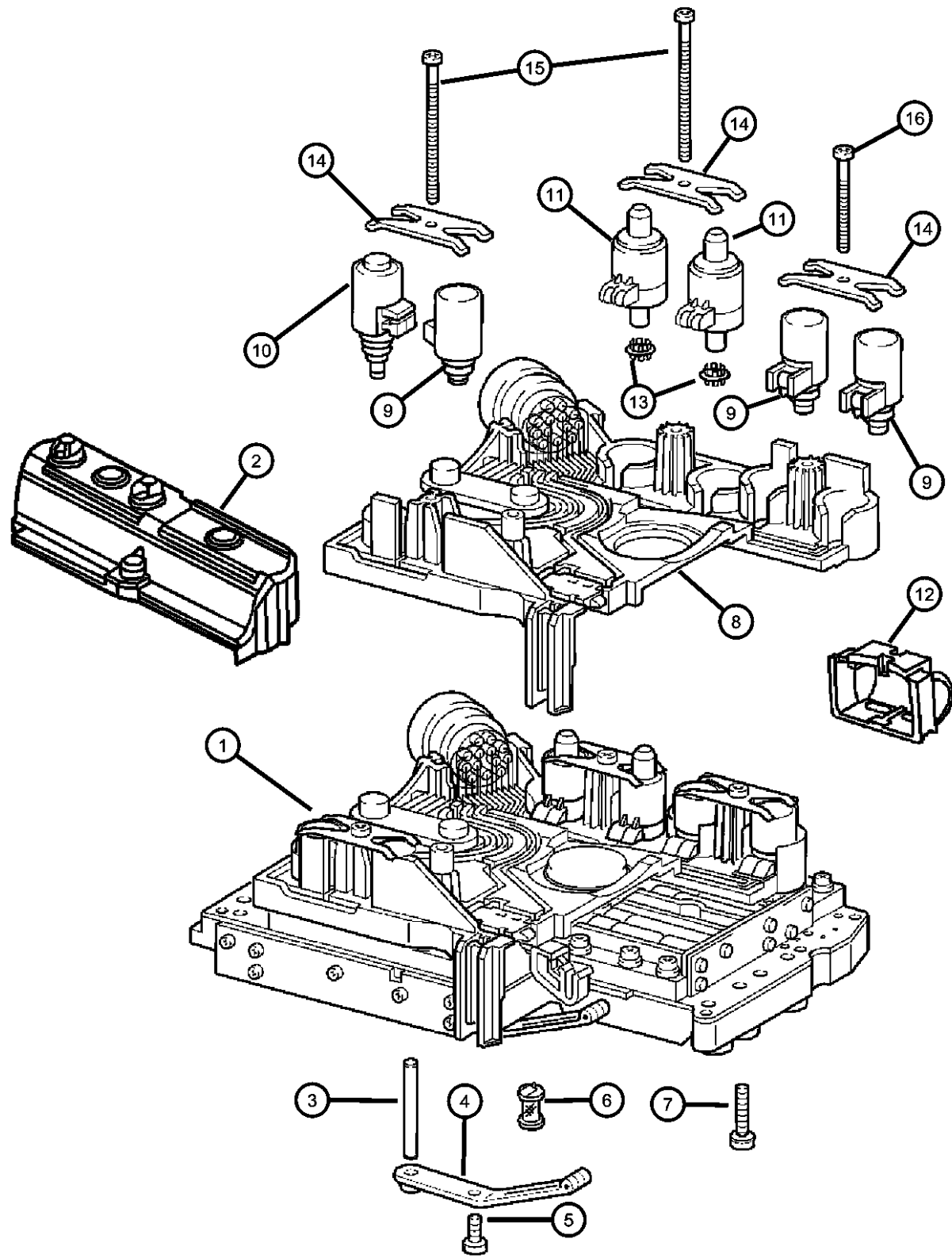
TRANSMISSION
DGQ = 5-Spd Automatic 5-45RFE
Transmission
DGJ = 5-Speed Automatic MB
Transmission

AR = use as required - = Non illustrated part

2006 XK

<< RETURN TO GROUP INDEX

**Electronic / Hydraulic Control Unit
Figure NAG1-710**



ITEM	PART NUMBER	QTY	LINE	SERIES	BODY	ENGINE	TRANS	TRIM	DESCRIPTION
12		2	J				DGJ		Pressure Solenoid COVER, Valve Body, Solenoid Cover
	05134761AA	3	T				DGJ		
		3	J				DGJ		
13		2	T				DGJ		FILTER, Transmission Oil
	52108316AA	2	T				DGJ		
		2	J				DGJ		
14		3	T				DGJ		PLATE
	52108315AA	3	T				DGJ		
		3	J				DGJ		
15		2	T				DGJ		SCREW [M6x80.0]
	52108268AA	2	T				DGJ		
		2	J				DGJ		[M6x80.0]
16		1	J				DGJ		SCREW [M6.55]
	52108269AA	1	J				DGJ		
		1	T				DGJ		[M6.55]

NEW JEEP (XK)

SERIES LINE
H = HIGHLINE T = JEEP - 2WD
P = PREMIUM J = JEEP - 4WD

BODY
74 = SPORT UTILITY 4-DR

ENGINE
EKG = 3.7L V6 Engine
EVA = 4.7L V8 MPI Engine
EZB = 5.7L Hemi Multi
Displacement Engine

TRANSMISSION
DGQ = 5-Spd Automatic 5-45RFE
Transmission
DGJ = 5-Speed Automatic MB
Transmission

AR = use ase required - = Non illustrated part

2006 XK

Oil Pan, Gasket & Filter
Figure NAG1-720

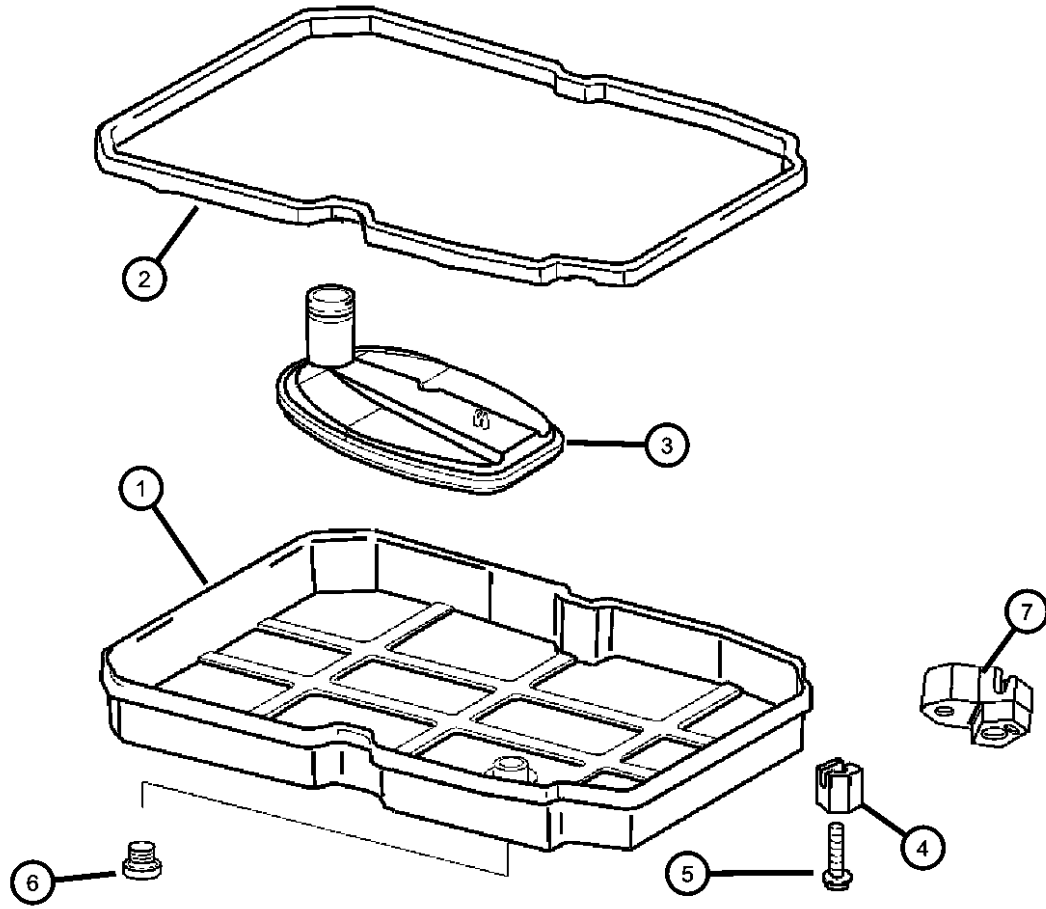
ITEM	PART NUMBER	QTY	LINE	SERIES	BODY	ENGINE	TRANS	TRIM	DESCRIPTION
------	-------------	-----	------	--------	------	--------	-------	------	-------------

NOTE:

Sales Codes:

[DGJ]=5 Speed Automatic Transmission - [NAG1] - [W5A580]

1	52108327AA	1	T				DGJ		PAN, Transmission Oil
		1	J				DGJ		
2	52108332AA	1	T				DGJ		GASKET
		1	J				DGJ		
3	52108325AA	1	T				DGJ		FILTER, Transmission Oil
		1	J				DGJ		
4	52108334AA	5	T				DGJ		NUT
		5	J				DGJ		
5	52108270AA	6	T				DGJ		SCREW
		6	J				DGJ		
6	03681601	1	T				DGJ		MAGNET, Transmission
		1	J				DGJ		
7	05080289AA	1	T				DGJ		NUT
		1	J				DGJ		



NEW JEEP (XK)

SERIES LINE
H = HIGHLINE T = JEEP - 2WD
P = PREMIUM J = JEEP - 4WD

BODY
74 = SPORT UTILITY 4-DR

ENGINE
EKG = 3.7L V6 Engine
EVA = 4.7L V8 MPI Engine
EZB = 5.7L Hemi Multi
Displacement Engine

TRANSMISSION
DGQ = 5-Spd Automatic 5-45RFE
Transmission
DGJ = 5-Speed Automatic MB
Transmission

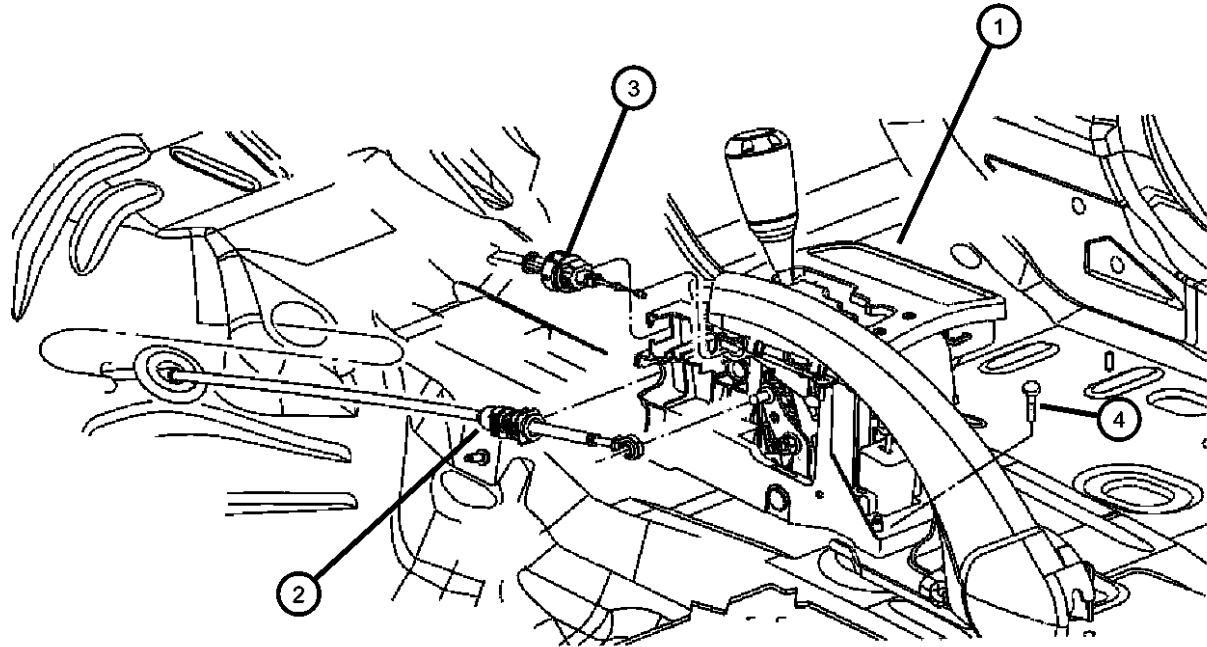
AR = use ase required - = Non illustrated part

2006 XK

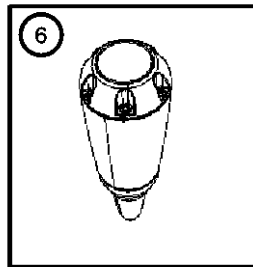
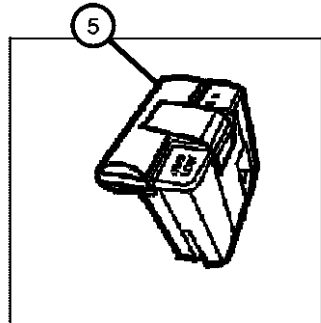
Gearshift Control
Figure NAG1-1210

ITEM	PART NUMBER	QTY	LINE	SERIES	BODY	ENGINE	TRANS	TRIM	DESCRIPTION
------	-------------	-----	------	--------	------	--------	-------	------	-------------

NOTE:
 Sales Codes:
 [DGQ]=5 Speed Automatic Transmission - [5-45RFE]
 [DG0]=All Automatic Transmissions
 [EK0]=All 3.7L V6 Engines
 [EV0]=All 4.7L V8 Engines
 [EZ0]=All 5.7L V8 Engines



1									HOUSING AND LEVER, Shifter
	52124002AE	1	J				DGJ		
	52124003AD	1	T				DGJ		
2	52109667AD	1				EK0, EV0, EZ0	DG0		CABLE, Gearshift Control
3	52109666AD	1					DG0		CABLE, Park Interlock
4	06505846AA	3					DG0		BOLT, Hex Flange Head
5	56050139AF	1	J				DGJ		SWITCH, Transfer Case
6									HANDLE, Gearshift
	52090499AC	1	T				DGJ		
		1	J				DGJ		



NEW JEEP (XK)

SERIES LINE
 H = HIGHLINE T = JEEP - 2WD
 P = PREMIUM J = JEEP - 4WD

BODY
 74 = SPORT UTILITY 4-DR

ENGINE
 EKG = 3.7L V6 Engine
 EVA = 4.7L V8 MPI Engine
 EZB = 5.7L Hemi Multi Displacement Engine

TRANSMISSION
 DGQ = 5-Spd Automatic 5-45RFE Transmission
 DGJ = 5-Speed Automatic MB Transmission

AR = use ase required - = Non illustrated part

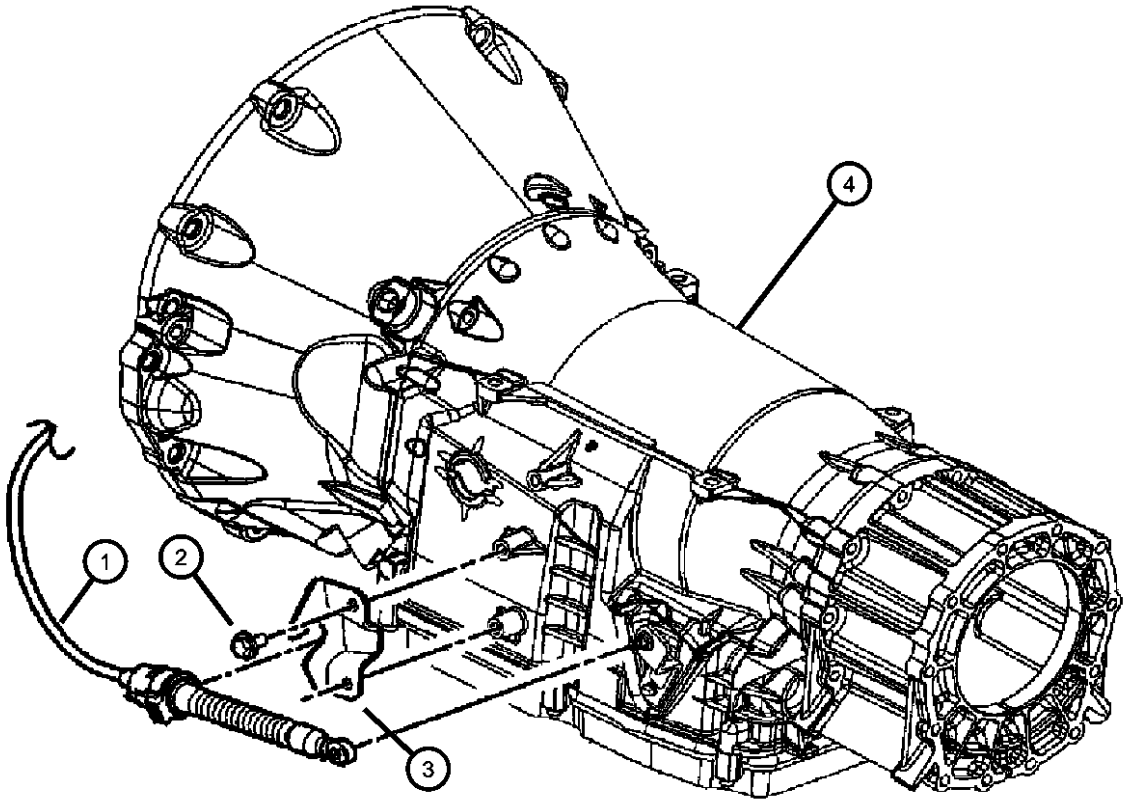
2006 XK

Shifter Cable Lever & Bracket
Figure NAG1-1220

ITEM	PART NUMBER	QTY	LINE	SERIES	BODY	ENGINE	TRANS	TRIM	DESCRIPTION
------	-------------	-----	------	--------	------	--------	-------	------	-------------

NOTE:
 Sales Codes:
 [DGJ]=5 Speed Automatic Transmission - [NAG1] - [W5A580]
 [EK0]=All 3.7L V-6 Engines

1	52109667AD	1				EK0, EVO, EZ0	DG0		CABLE, Gearshift Control
2	06101758	2					DG0		SCREW, Hex Head, M8x1.25x20
3	52109699AC	1					DGJ		BRACKET, Shift Cable
4	52109699AC	1							TRANSMISSION, 5 Speed, See Illustration 110, (NOT SERVICED)



NEW JEEP (XK)

SERIES	LINE	BODY	ENGINE	TRANSMISSION
H = HIGHLINE	T = JEEP - 2WD	74 = SPORT UTILITY 4-DR	EKG = 3.7L V6 Engine	DGQ = 5-Spd Automatic 5-45RFE Transmission
P = PREMIUM	J = JEEP - 4WD		EVA = 4.7L V8 MPI Engine	DGJ = 5-Speed Automatic MB Transmission
			EZB = 5.7L Hemi Multi Displacement Engine	

AR = use ase required - = Non illustrated part

Group - 140

Transfer Case Model 140 [DHZ]

Group - 140 Transfer Case Model 140 [DHZ]

Illustration Title

Group-Fig. No.

Transfer Case Assembly

Transfer Case Single Model NVG 140 [DHZ] Fig. 140 - 110

Case and Related Parts

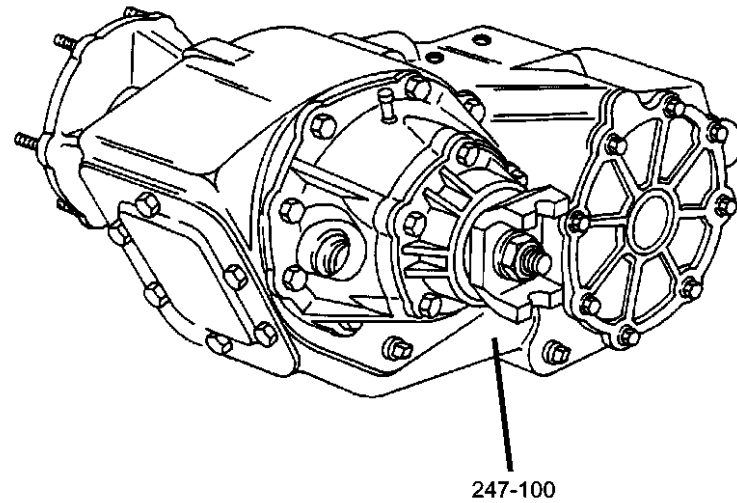
Case and Related Parts NVG 140 [DHZ]..... Fig. 140 - 210

Gear Train

Gear Train NVG 140 [DHZ]..... Fig. 140 - 410

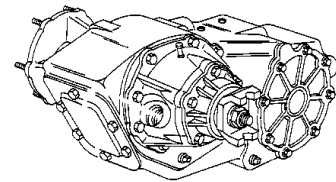
Gearshift Controls

Skid Plate NVG 140 [DHZ] Fig. 140 - 1210



247-100

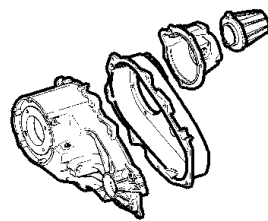
140-100
Transfer Case Assembly



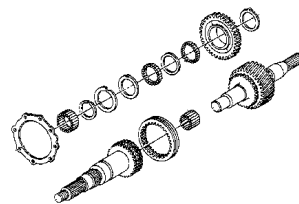
140-1200
Gearshift Controls



140-200
Case and Related Parts

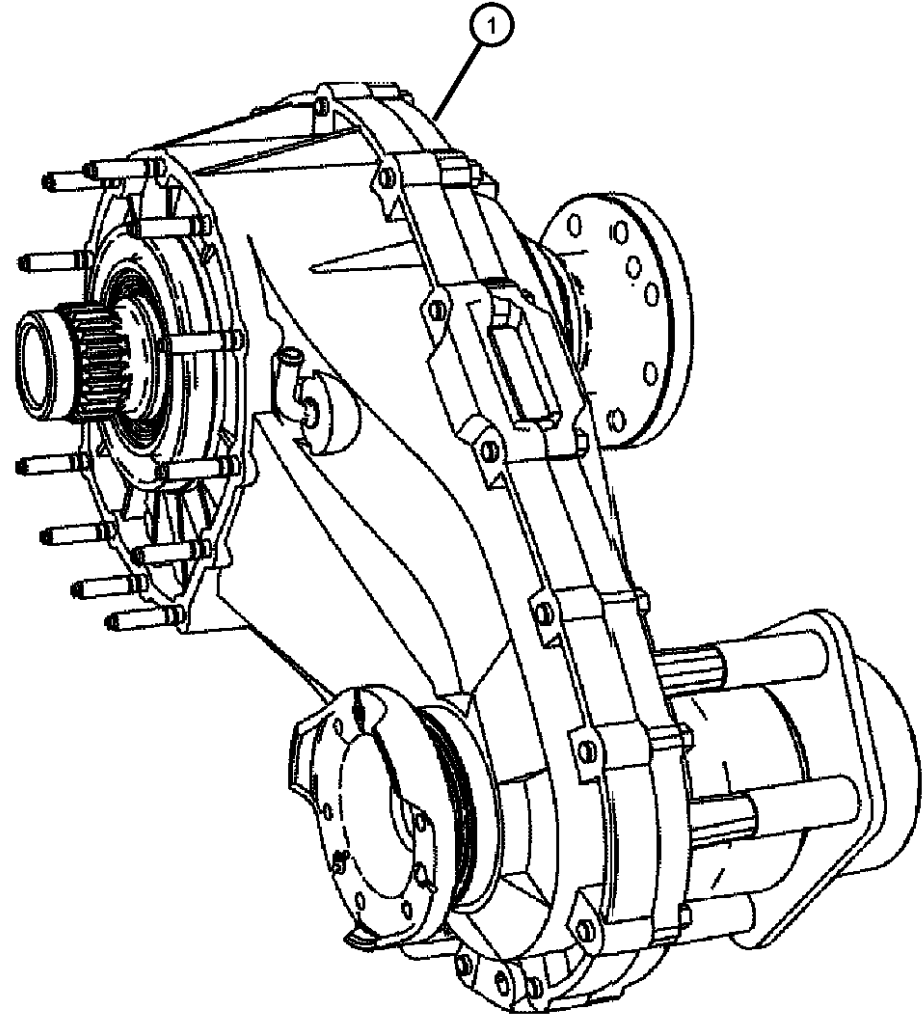


140-400
Gear Train



**Transfer Case Single Model NVG 140 [DHZ]
Figure 140-110**

ITEM	PART NUMBER	QTY	LINE	SERIES	BODY	ENGINE	TRANS	TRIM	DESCRIPTION
------	-------------	-----	------	--------	------	--------	-------	------	-------------



NOTE:

Refer To All Proper Tag Numbers And Stamping Numbers Before Ordering Transfer Cases And/ Or Transfer Case Parts.

Sales Codes:

- [DGJ] = 5-Speed Automatic W5A580 Transmission
- [DGQ] = 5-Speed Automatic 5-45RFE Transmission
- [DG0] = All Automatic Transmissions
- [DHX] = Quadra-Trac II Fulltime Active Transfer Case
- [DHZ] = Quadra-Trac I Fulltime 4WD Transfer Case
- [EKG] = 3.7L "Magnum" V-6 Engine
- [EK0] = All 3.7L 6-Cylinder Gas Engines
- [EVA] = 4.7L "Magnum" V-8 Engine
- [EV0] = All 4.7L 8-Cylinder Gas Engines
- [EZB] = 5.7L Hemi Multi Displacement Engine
- [EZ0] = All 5.7L 8-Cylinder Gas Engines
- [NAA] = Federal Emissions
- [NAE] = California Emissions
- [NAS] = 50 State Emissions
- [XEF] = Transfer Case Skid Plate Sheild

1	52105928AB	1	J
---	------------	---	---

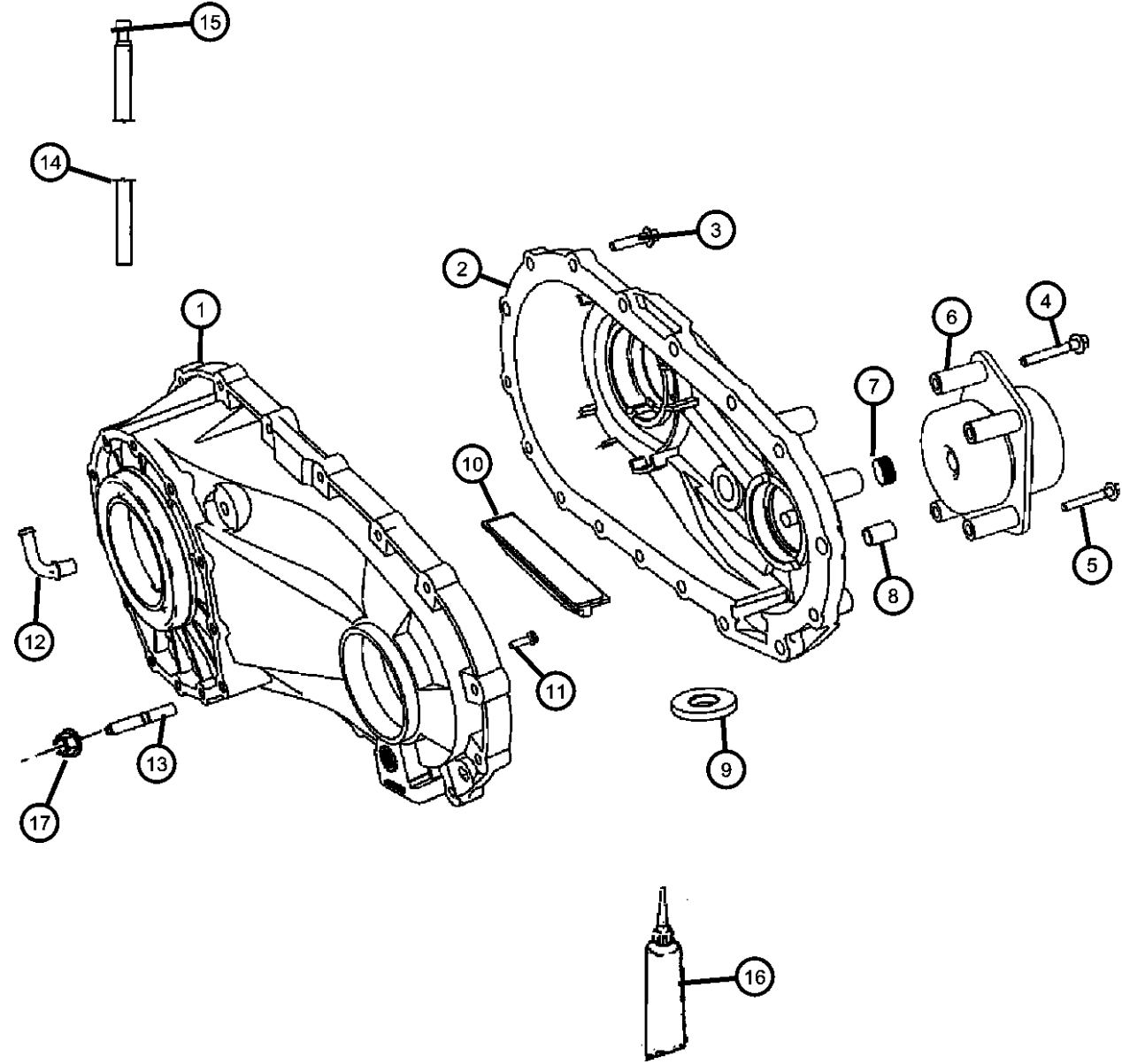
TRANSFER CASE, NVG140

NEW JEEP (XK)

SERIES	LINE	BODY	ENGINE	TRANSMISSION
H = HIGHLINE	T = JEEP - 2WD	74 = SPORT UTILITY 4-DR	EKG = 3.7L V6 Engine	DGQ = 5-Spd Automatic 5-45RFE Transmission
P = PREMIUM	J = JEEP - 4WD		EVA = 4.7L V8 MPI Engine	DGJ = 5-Speed Automatic MB Transmission
			EZB = 5.7L Hemi Multi Displacement Engine	

AR = use ase required - = Non illustrated part

**Case and Related Parts NVG 140 [DHZ]
Figure 140-210**



ITEM	PART NUMBER	QTY	LINE	SERIES	BODY	ENGINE	TRANS	TRIM	DESCRIPTION
------	-------------	-----	------	--------	------	--------	-------	------	-------------

NOTE:

Refer To All Proper Tag Numbers And Stamping Numbers Before Ordering Transfer Cases And/ Or Transfer Case Parts.

Sales Codes:

[DGJ] = 5-Speed Automatic W5A580 Transmission

[DGQ] = 5-Speed Automatic 5-45RFE Transmission

[DG0] = All Automatic Transmissions

[DHX] = Quadra-Trac II Fulltime Active Transfer Case

[DHZ] = Quadra-Trac I Fulltime 4WD Transfer Case

[EKG] = 3.7L "Magnum" V-6 Engine

[EK0] = All 3.7L 6-Cylinder Gas Engines

[EVA] = 4.7L "Magnum" V-8 Engine

[EV0] = All 4.7L 8-Cylinder Gas Engines

[EZB] = 5.7L Hemi Multi Displacement Engine

[EZ0] = All 5.7L 8-Cylinder Gas Engines

[NAA] = Federal Emissions

[NAE] = California Emissions

[NAS] = 50 State Emissions

[XEF] = Transfer Case Skid Plate Sheild

1	05143713AA	1	J						CASE, Transfer Front
2	05143731AA	1	J						CASE, Transfer Rear
3	06101526	17	J						BOLT, Transfer Case
4	06100931	1	J						BOLT, Hex Flange Head, M8x1.25x55
5	06504257	3	J						BOLT, Hex Head, M8x1.25x70
6	52853176AA	1	J						DAMPER, Transfer Case
7	04856641	2	J						PLUG, Oil Fill
8	05086335AA	2	J						DOWEL, Transfer Case
9	03681601	1	J						MAGNET, Transmission
10	05012324AA	1	J						SNUBBER, Chain
11	05012325AA	2	J						BOLT
12	04796910	1	J						VENT, Transfer Case
13	05143725AA	12	J						STUD
14	HFV00516AB	1	J						HOSE, Fuel And Vapor, 25 Foot Roll 5/16"
15	J5352955	1	J						VENT, Axle
16	05010884AA	1	J						SEALANT, RTV
17	06507572AA	12	J						NUT AND WASHER, Hex

NEW JEEP (XK)

SERIES LINE

H = HIGHLINE T = JEEP - 2WD

P = PREMIUM J = JEEP - 4WD

BODY

74 = SPORT UTILITY 4-DR

ENGINE

EKG = 3.7L V6 Engine

EVA = 4.7L V8 MPI Engine

EZB = 5.7L Hemi Multi Displacement Engine

TRANSMISSION

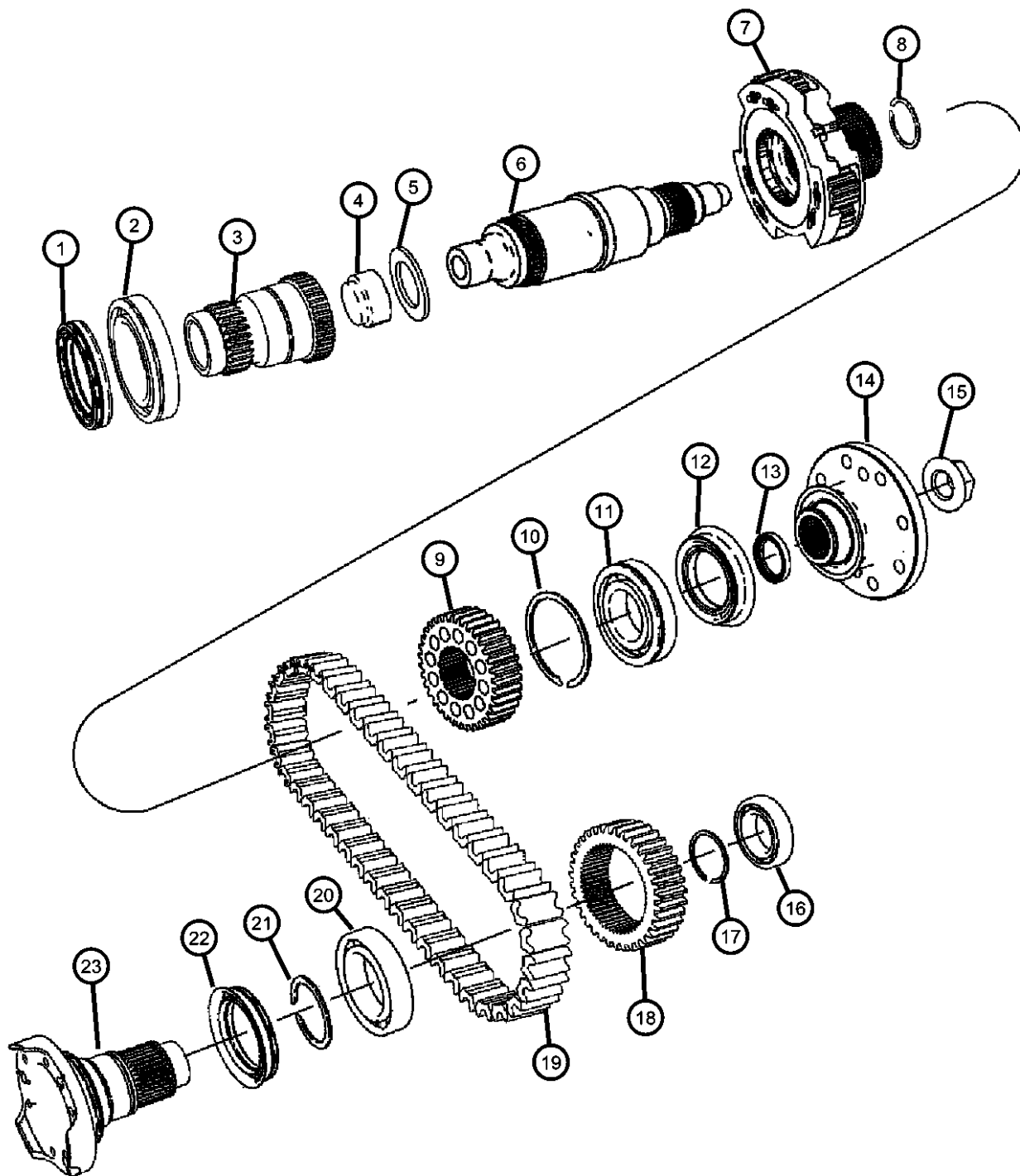
DGQ = 5-Spd Automatic 5-45RFE Transmission

DGJ = 5-Speed Automatic MB Transmission

AR = use ase required - = Non illustrated part

2006 XK

**Gear Train NVG 140 [DHZ]
Figure 140-410**



ITEM	PART NUMBER	QTY	LINE	SERIES	BODY	ENGINE	TRANS	TRIM	DESCRIPTION
------	-------------	-----	------	--------	------	--------	-------	------	-------------

NOTE:

Refer To All Proper Tag Numbers And Stamping Numbers Before Ordering Transfer Cases And/ Or Transfer Case Parts.

Sales Codes:

- [DGJ] = 5-Speed Automatic W5A580 Transmission
- [DGQ] = 5-Speed Automatic 5-45RFE Transmission
- [DG0] = All Automatic Transmissions
- [DHX] = Quadra-Trac II Fulltime Active Transfer Case
- [DHZ] = Quadra-Trac I Fulltime 4WD Transfer Case
- [EKG] = 3.7L "Magnum" V-6 Engine
- [EK0] = All 3.7L 6-Cylinder Gas Engines
- [EVA] = 4.7L "Magnum" V-8 Engine
- [EV0] = All 4.7L 8-Cylinder Gas Engines
- [EZB] = 5.7L Hemi Multi Displacement Engine
- [EZ0] = All 5.7L 8-Cylinder Gas Engines
- [NAA] = Federal Emissions
- [NAE] = California Emissions
- [NAS] = 50 State Emissions
- [XEF] = Transfer Case Skid Plate Sheild

1	05143714AA	1	J						SEAL, Input
2	05143739AA	1	J						BEARING, Input Gear
3	05143717AA	1	J						SHAFT, Input
4	83503507	1	J						BEARING, Input Shaft
5	05103263AA	1	J						THRUST WASHER, Planetary Carrier
6	05143718AA	1	J						MAINSHAFT, Transfer Case
7	05143726AA	1	J						DIFFERENTIAL, Transfer Case
8	03821558	1	J						SNAP RING
9	05143727AA	1	J						SPROCKET, Transfer Case
10	83503532	1	J						SNAP RING
11	05143741AA	1	J						BEARING, Ball, [Front O/P Rear]
12	05143733AA	1	J						SEAL, Oil, [Rear Output]
13	05143743AA	1	J						SEAL
14	05143735AA	1	J						FLANGE, Driveshaft Yoke
15	05143738AA	1	J						NUT, Transfer Case Yoke
16	05161968AA	1	J						BEARING, Ball
17	05143728AA	1	J						SNAP RING
18	05143730AA	1	J						SPROCKET, Transfer Case
19	05166001AA	1	J						CHAIN, Transfer Case
20	05012997AA	1	J						BEARING, Input Gear, [Front Output]
21	05072901AA	1	J						SNAP RING

NEW JEEP (XK)

SERIES LINE
H = HIGHLINE T = JEEP - 2WD
P = PREMIUM J = JEEP - 4WD

BODY
74 = SPORT UTILITY 4-DR

ENGINE
EKG = 3.7L V6 Engine
EVA = 4.7L V8 MPI Engine
EZB = 5.7L Hemi Multi Displacement Engine

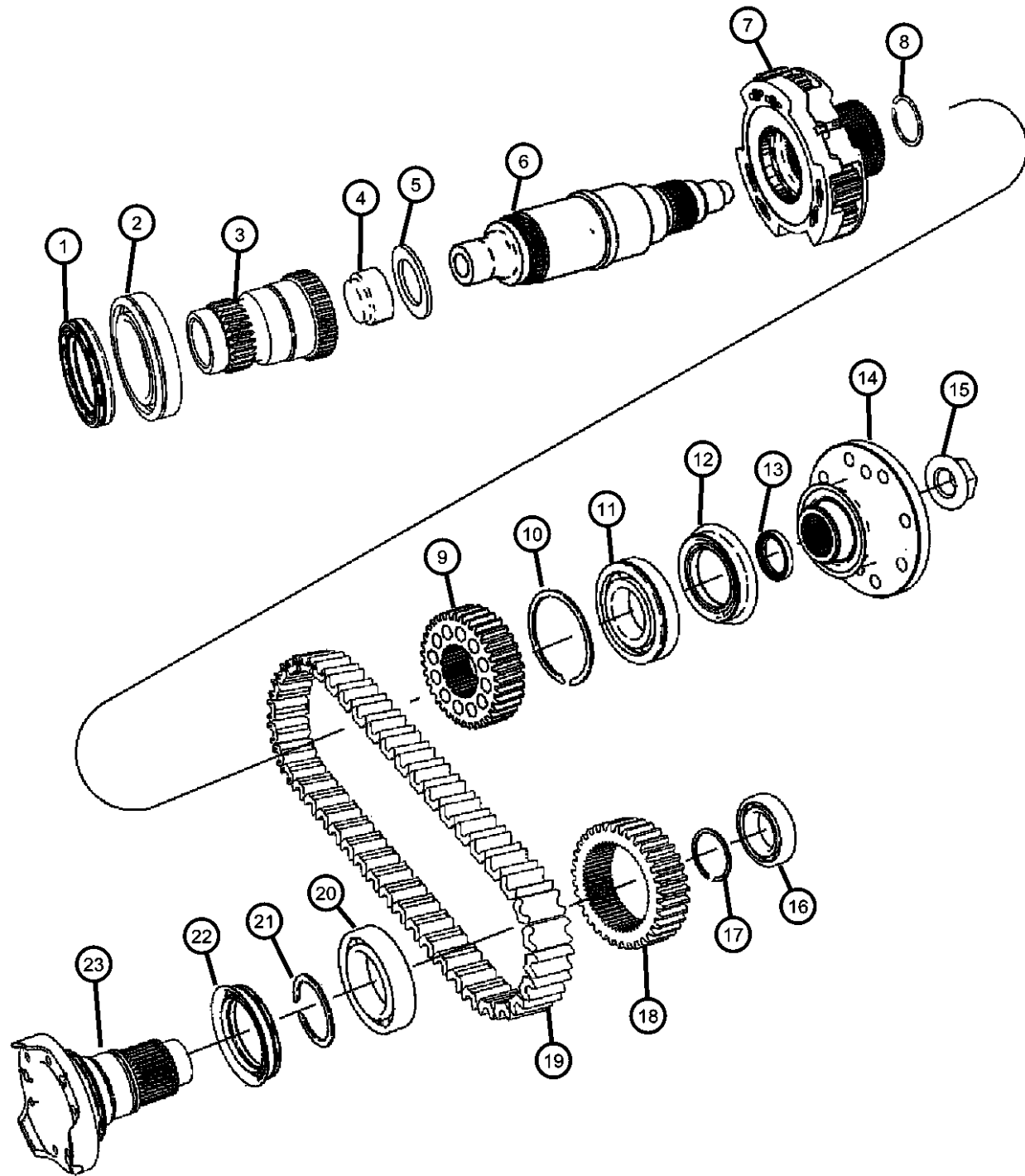
TRANSMISSION
DGQ = 5-Spd Automatic 5-45RFE Transmission
DGJ = 5-Speed Automatic MB Transmission

AR = use ase required - = Non illustrated part

2006 XK

**Gear Train NVG 140 [DHZ]
Figure 140-410**

ITEM	PART NUMBER	QTY	LINE	SERIES	BODY	ENGINE	TRANS	TRIM	DESCRIPTION
------	-------------	-----	------	--------	------	--------	-------	------	-------------



22	05143715AA	1	J						SEAL, Output, [Front Output]
23	05143716AA	1	J						OUTPUT SHAFT, Transfer Case

NEW JEEP (XK)

SERIES	LINE
H = HIGHLINE	T = JEEP - 2WD
P = PREMIUM	J = JEEP - 4WD

BODY
74 = SPORT UTILITY 4-DR

ENGINE
EKG = 3.7L V6 Engine
EVA = 4.7L V8 MPI Engine
EZB = 5.7L Hemi Multi Displacement Engine

TRANSMISSION
DGQ = 5-Spd Automatic 5-45RFE Transmission
DGJ = 5-Speed Automatic MB Transmission

AR = use ase required - = Non illustrated part

**Skid Plate NVG 140 [DHZ]
Figure 140-1210**

ITEM	PART NUMBER	QTY	LINE	SERIES	BODY	ENGINE	TRANS	TRIM	DESCRIPTION
------	-------------	-----	------	--------	------	--------	-------	------	-------------

NOTE:

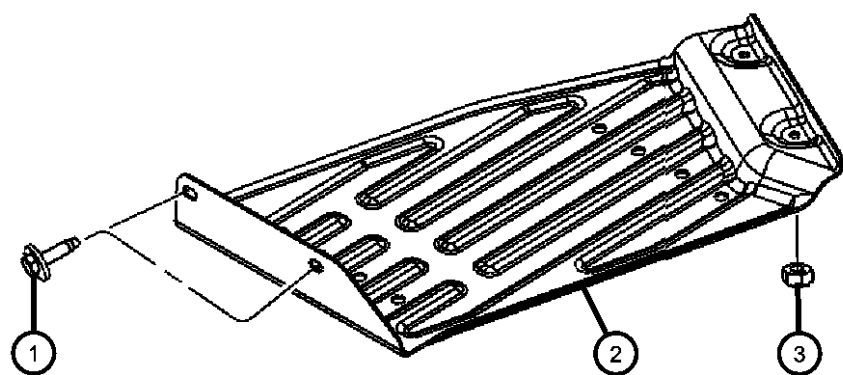
Refer To All Proper Tag Numbers And Stamping Numbers Before Ordering Transfer Cases And/ Or Transfer Case Parts.

Sales Codes:

- [DGJ] = 5-Speed Automatic W5A580 Transmission
- [DGQ] = 5-Speed Automatic 5-45RFE Transmission
- [DG0] = All Automatic Transmissions
- [DHX] = Quadra-Trac II Fulltime Active Transfer Case
- [DHZ] = Quadra-Trac I Fulltime 4WD Transfer Case
- [EKG] = 3.7L "Magnum" V-6 Engine
- [EK0] = All 3.7L 6-Cylinder Gas Engines
- [EVA] = 4.7L "Magnum" V-8 Engine
- [EV0] = All 4.7L 8-Cylinder Gas Engines
- [EZB] = 5.7L Hemi Multi Displacement Engine
- [EZ0] = All 5.7L 8-Cylinder Gas Engines
- [NAA] = Federal Emissions
- [NAE] = California Emissions
- [NAS] = 50 State Emissions
- [XEF]= Transfer Case Skid Plate Sheild

1	06503571	2	J						
2	52128499AC	1	J						
3	06101696	2	J						

SCREW AND WASHER,
M10x1.50x35, Skid Plate to
Rail and Crossmember, Mounting
SKID PLATE, Transfer Case
NUT, [M10x1.50], Skid Plate To
Rail, Mounting



NEW JEEP (XK)

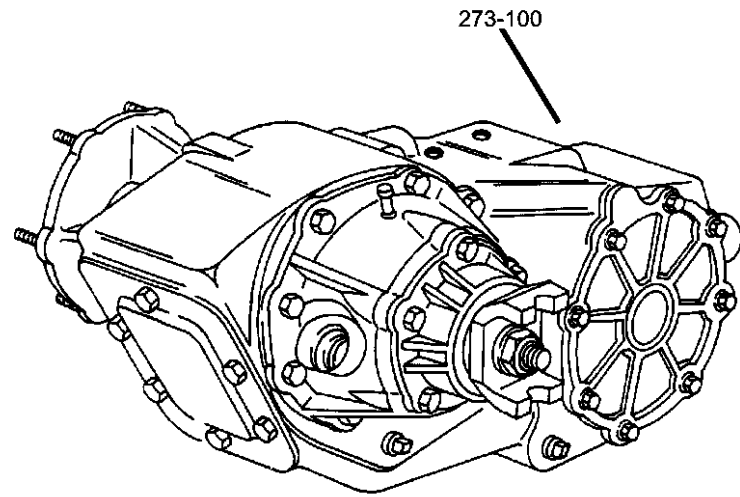
SERIES	LINE	BODY	ENGINE	TRANSMISSION
H = HIGHLINE	T = JEEP - 2WD	74 = SPORT UTILITY 4-DR	EKG = 3.7L V6 Engine	DGQ = 5-Spd Automatic 5-45RFE Transmission
P = PREMIUM	J = JEEP - 4WD		EVA = 4.7L V8 MPI Engine	DGJ = 5-Speed Automatic MB Transmission
			EZB = 5.7L Hemi Multi Displacement Engine	

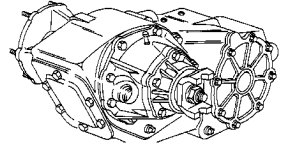

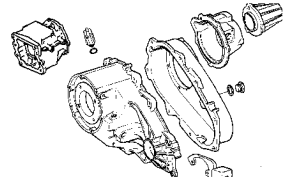
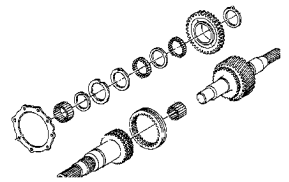
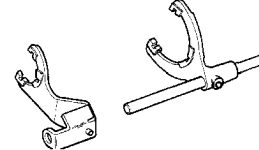
AR = use ase required - = Non illustrated part

2006 XK

Group - 245

Transfer Case Model 245 [DHX]



<p>245-100 Transfer Case Assembly</p> 	<p>245-1200 Gearshift Controls</p> 	<p>245-200 Case and Related Parts</p> 	<p>245-400 Gear Train</p> 
<p>245-900 Fork and Rails</p> 			

Group - 245 Transfer Case Model 245 [DHX]

Illustration Title

Group-Fig. No.

Transfer Case Assembly

Transfer Case NVG 245 [DHX] Fig. 245 - 110

Case and Related Parts

Case and Related Parts NVG 245 [DHX] Fig. 245 - 210

Gear Train

Gear Train NVG 245 [DHX] Fig. 245 - 410

Fork and Rails

Fork and Rails NVG 245 [DHX] Fig. 245 - 910

Gearshift Controls

Skid Plate NVG 245 [DHX] Fig. 245 - 1210

Transfer Case NVG 245 [DHX]
Figure 245-110

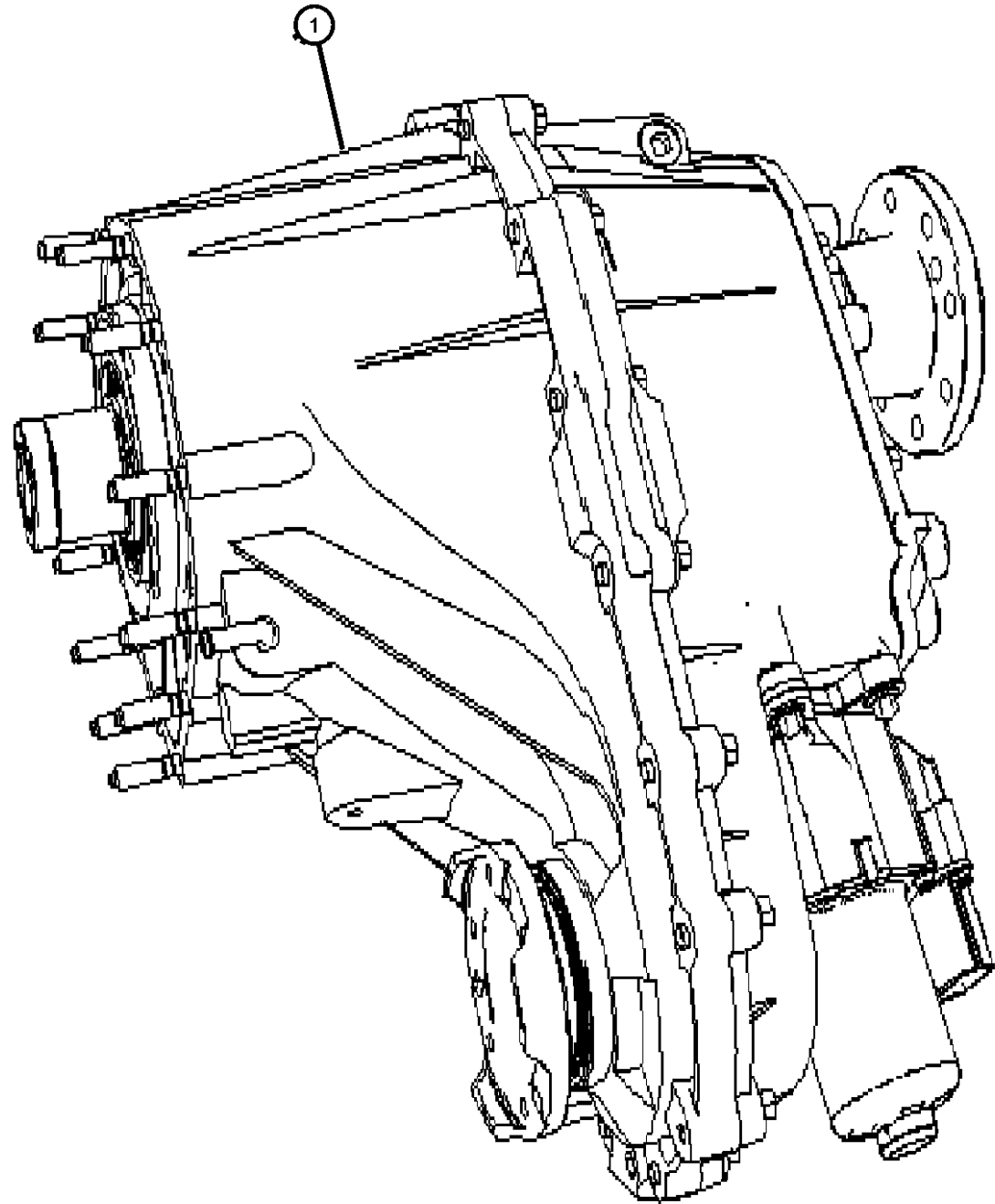
ITEM	PART NUMBER	QTY	LINE	SERIES	BODY	ENGINE	TRANS	TRIM	DESCRIPTION
------	-------------	-----	------	--------	------	--------	-------	------	-------------

NOTE:

Refer To All Proper Tag Numbers And Stamping Numbers Before Ordering Transfer Cases And/ Or Transfer Case Parts.

Sales Codes:

- [DGJ] = 5-Speed Automatic W5A580 Transmission
- [DGQ] = 5-Speed Automatic 5-45RFE Transmission
- [DG0] = All Automatic Transmissions
- [DHX] = Quadra-Trac II Fulltime Active Transfer Case
- [DHZ] = Quadra-Trac I Fulltime 4WD Transfer Case
- [EKG] = 3.7L "Magnum" V-6 Engine
- [EK0] = All 3.7L 6-Cylinder Gas Engines
- [EVA] = 4.7L "Magnum" V-8 Engine
- [EV0] = All 4.7L 8-Cylinder Gas Engines
- [EZB] = 5.7L Hemi Multi Displacement Engine
- [EZ0] = All 5.7L 8-Cylinder Gas Engines
- [NAA] = Federal Emissions
- [NAE] = California Emissions
- [NAS] = 50 State Emissions
- [XEF] = Transfer Case Skid Plate Sheild



1									TRANSFER CASE, NVG245
	52105703AA	1	J			EV0, EZ0			
	52853391AB	1	J			EK0			

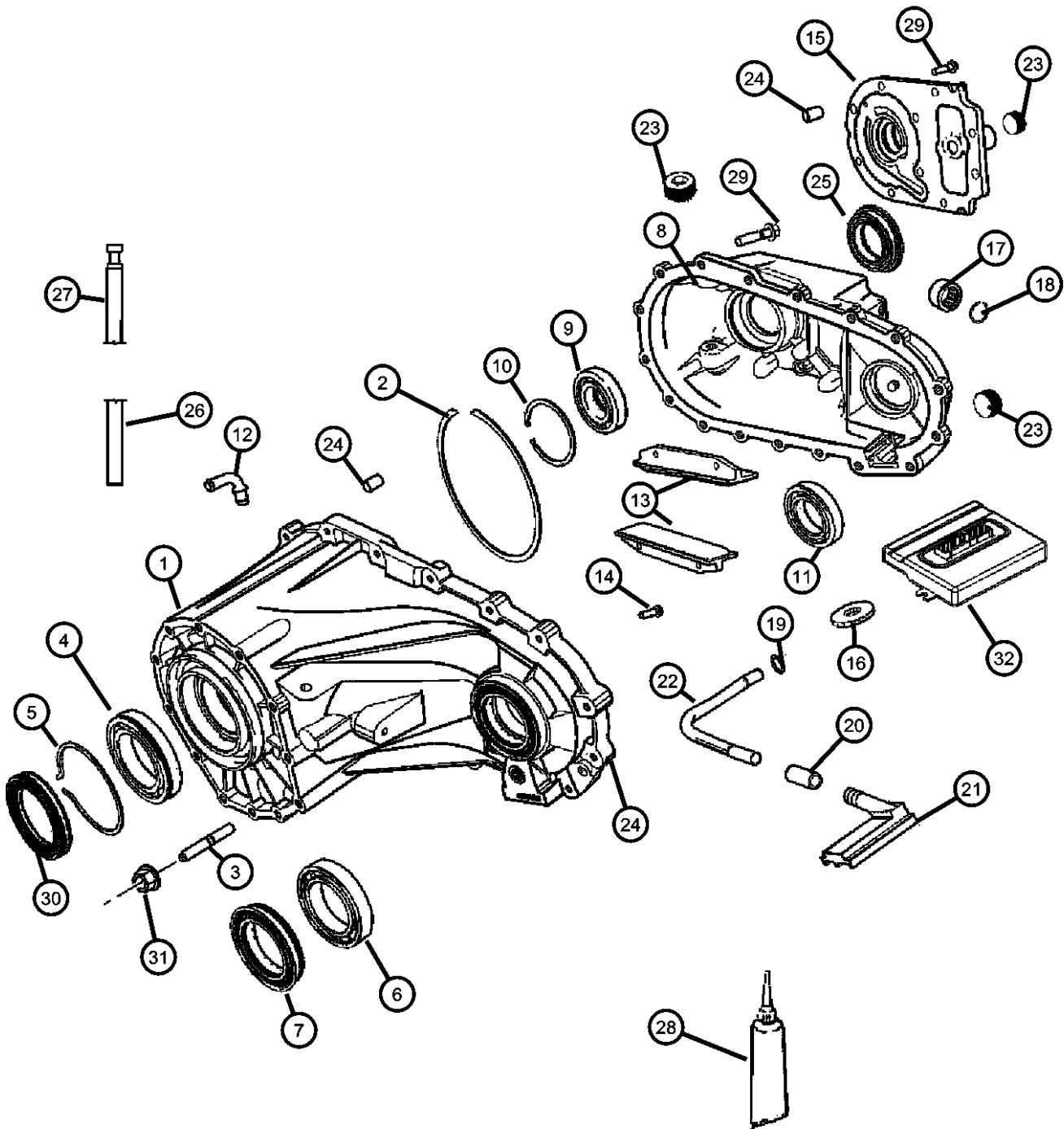
NEW JEEP (XK)

SERIES	LINE	BODY	ENGINE	TRANSMISSION
H = HIGHLINE	T = JEEP - 2WD	74 = SPORT UTILITY 4-DR	EKG = 3.7L V6 Engine	DGQ = 5-Spd Automatic 5-45RFE Transmission
P = PREMIUM	J = JEEP - 4WD		EVA = 4.7L V8 MPI Engine	DGJ = 5-Speed Automatic MB Transmission
			EZB = 5.7L Hemi Multi Displacement Engine	

AR = use ase required - = Non illustrated part

2006 XK

**Case and Related Parts NVG 245 [DHX]
Figure 245-210**



ITEM	PART NUMBER	QTY	LINE	SERIES	BODY	ENGINE	TRANS	TRIM	DESCRIPTION
------	-------------	-----	------	--------	------	--------	-------	------	-------------

NOTE:
Refer To All Proper Tag Numbers And Stamping Numbers Before Ordering Transfer Cases And/ Or Transfer Case Parts.

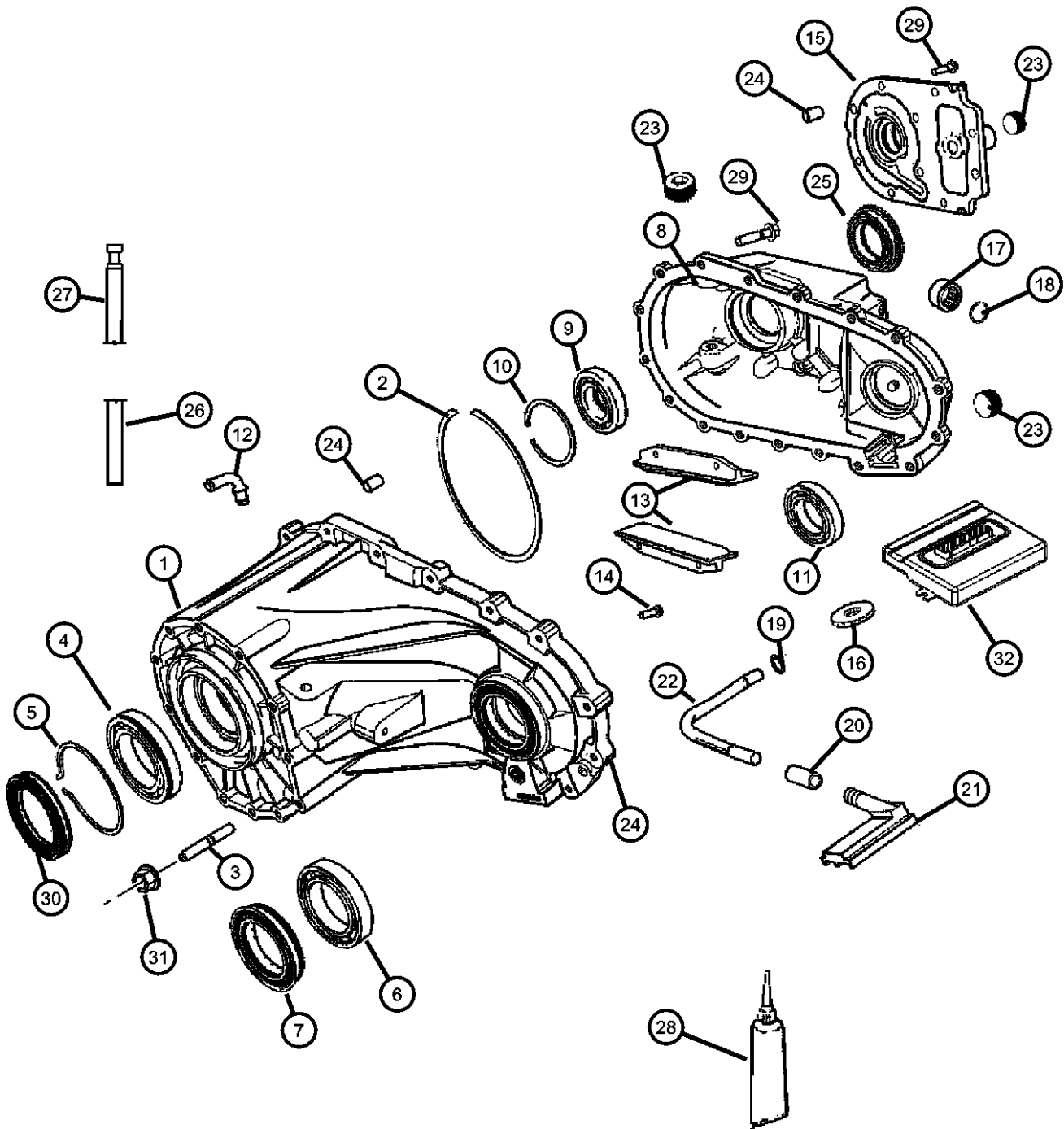
- Sales Codes:
 [DGJ] = 5-Speed Automatic W5A580 Transmission
 [DGQ] = 5-Speed Automatic 5-45RFE Transmission
 [DG0] = All Automatic Transmissions
 [DHX] = Quadra-Trac II Fulltime Active Transfer Case
 [DHZ] = Quadra-Trac I Fulltime 4WD Transfer Case
 [EKG] = 3.7L "Magnum" V-6 Engine
 [EK0] = All 3.7L 6-Cylinder Gas Engines
 [EVA] = 4.7L "Magnum" V-8 Engine
 [EV0] = All 4.7L 8-Cylinder Gas Engines
 [EZB] = 5.7L Hemi Multi Displacement Engine
 [EZ0] = All 5.7L 8-Cylinder Gas Engines
 [NAA] = Federal Emissions
 [NAE] = California Emissions
 [NAS] = 50 State Emissions
 [XEF] = Transfer Case Skid Plate Shield

1									CASE, Transfer Front
	05143749AA	1	J			EV0, EZ0			
		1	J			EK0			
2									SNAP RING, Annulus Gear
	04219065	1	J			EV0, EZ0			
		1	J			EK0			
3									STUD
	05143725AA	12	J						
		12	J			EK0			
4									BEARING, Input Gear
	05143739AA	1	J			EV0, EZ0			
		1	J			EK0			
5									SNAP RING
	05143728AA	1	J			EK0			
	05143748AA	1	J			EV0, EZ0			
6									BEARING, Input Gear
	05012997AA	1	J			EV0, EZ0			
		1	J			EK0			
7									SEAL, Output
	05143715AA	1	J			EV0, EZ0			Front
		1	J			EK0			Front
8									CASE, Transfer Rear

NEW JEEP (XK)		BODY	ENGINE	TRANSMISSION
SERIES	LINE	74 = SPORT UTILITY 4-DR	EKG = 3.7L V6 Engine EVA = 4.7L V8 MPI Engine EZB = 5.7L Hemi Multi Displacement Engine	DGQ = 5-Spd Automatic 5-45RFE Transmission DGJ = 5-Speed Automatic MB Transmission
H = HIGHLINE P = PREMIUM	T = JEEP - 2WD J = JEEP - 4WD			

AR = use ase required - = Non illustrated part

Case and Related Parts NVG 245 [DHX]
Figure 245-210



ITEM	PART NUMBER	QTY	LINE	SERIES	BODY	ENGINE	TRANS	TRIM	DESCRIPTION
	05161965AB	1	J			EV0, EZO			
		1	J			EK0			
9	05161968AA	1	J			EV0, EZO			BEARING, Ball
		1	J			EK0			
10	05143776AA	1	J			EV0, EZO			SNAP RING
		1	J			EK0			
11	05143741AA	1	J			EV0, EZO			BEARING, Ball
		1	J			EK0			
12	04796910	1	J			EV0, EZO			VENT, Transfer Case
		1	J			EK0			
13	05012324AA	2	J			EV0, EZO			SNUBBER, Chain
		2	J			EK0			
14	05012325AA	4	J			EV0, EZO			BOLT
		4	J			EK0			
15	05143760AB	1	J			EV0, EZO			RETAINER, Transfer Case Rear
		1	J			EK0			
16	03681601	1	J			EV0, EZO			MAGNET, Transmission
		1	J			EK0			
17	05143982AA	1	J			EV0, EZO			BEARING, Transfer Case Shift
		1	J			EK0			
18	05143774AA	1	J			EV0, EZO			SNAP RING
		1	J			EK0			
19	05013016AB	1	J			EV0, EZO			SEAL, Transfer Case

NEW JEEP (XK)

SERIES LINE
H = HIGHLINE T = JEEP - 2WD
P = PREMIUM J = JEEP - 4WD

BODY
74 = SPORT UTILITY 4-DR

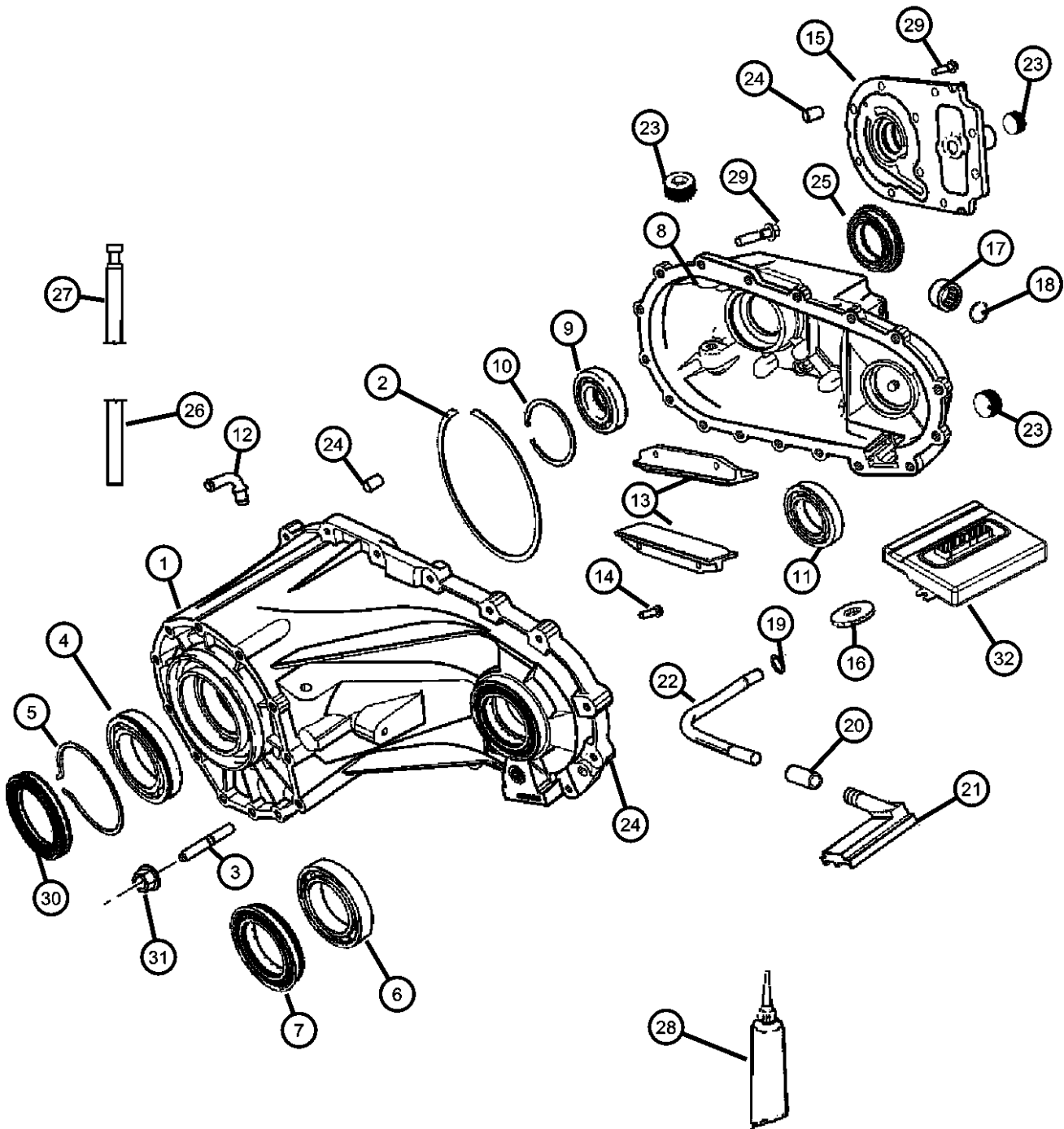
ENGINE
EKG = 3.7L V6 Engine
EVA = 4.7L V8 MPI Engine
EZB = 5.7L Hemi Multi Displacement Engine

TRANSMISSION
DGQ = 5-Spd Automatic 5-45RFE Transmission
DGJ = 5-Speed Automatic MB Transmission

AR = use ase required - = Non illustrated part

2006 XK

Case and Related Parts NVG 245 [DHX]
Figure 245-210



ITEM	PART NUMBER	QTY	LINE	SERIES	BODY	ENGINE	TRANS	TRIM	DESCRIPTION
20		1	J			EK0			CONNECTOR, Oil Tube Pickup
	05012327AA	1	J			EV0, EZ0			
21		1	J			EK0			FILTER, Transfer Case Oil
	05012326AA	1	J			EV0, EZ0			
22		1	J			EK0			TUBE, Oil Pickup
	05143773AA	1	J			EV0, EZ0			
23		1	J			EK0			PLUG, Oil Fill
	04856641	3	J			EV0, EZ0			
24		3	J			EK0			DOWEL, Transfer Case
	05086335AA	5	J			EV0, EZ0			
25		5	J			EK0			SEAL, Oil
	05143733AA	1	J			EV0, EZ0			
26		1	J			EK0			HOSE, Fuel And Vapor, 25 Foot Roll 5/16"
	HFV00516AB	1	J						
27		1							VENT, Axle
	J5352955	1							
28		1	J						SEALANT, RTV
	05010884AA	1	J			EV0, EZ0			
29		1	J			EK0			BOLT, Transfer Case
	06101526	31	J			EV0, EZ0			
30		31	J			EK0			SEAL, Input
	05143714AA	1	J			EV0, EZ0			
		1	J			EK0			

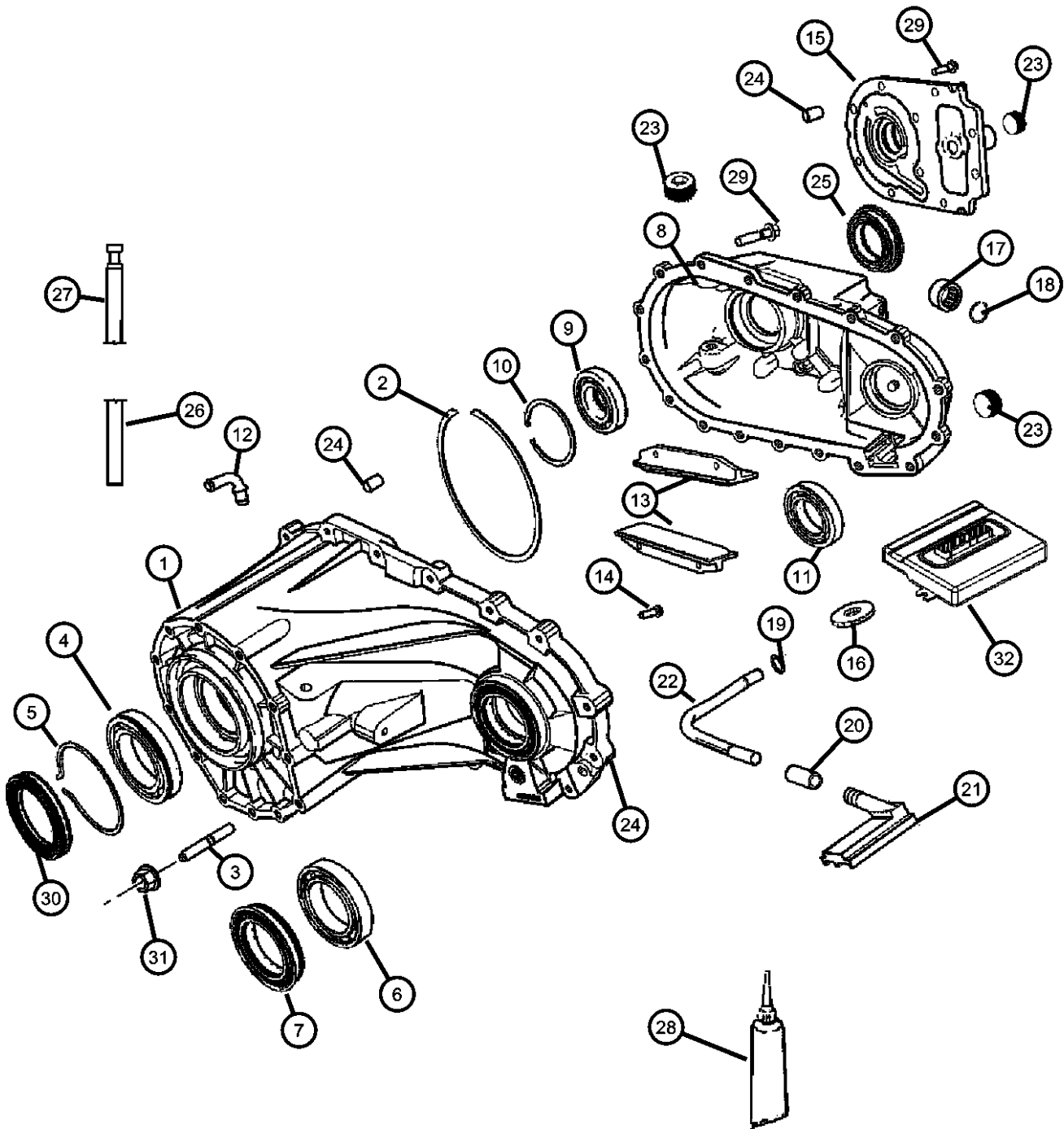
NEW JEEP (XK)

SERIES	LINE	BODY	ENGINE	TRANSMISSION
H = HIGHLINE	T = JEEP - 2WD	74 = SPORT UTILITY 4-DR	EKG = 3.7L V6 Engine	DGQ = 5-Spd Automatic 5-45RFE Transmission
P = PREMIUM	J = JEEP - 4WD		EVA = 4.7L V8 MPI Engine	DGJ = 5-Speed Automatic MB Transmission
			EZB = 5.7L Hemi Multi Displacement Engine	

AR = use ase required - = Non illustrated part

Case and Related Parts NVG 245 [DHX]
Figure 245-210

ITEM	PART NUMBER	QTY	LINE	SERIES	BODY	ENGINE	TRANS	TRIM	DESCRIPTION
31	06507572AA	12	J						NUT AND WASHER, Hex
32	56044129AK	1	J						MODULE, Transfer Case Control [DS7]
	56044199AF	1	J						[DJG]



NEW JEEP (XK)

SERIES LINE
H = HIGHLINE T = JEEP - 2WD
P = PREMIUM J = JEEP - 4WD

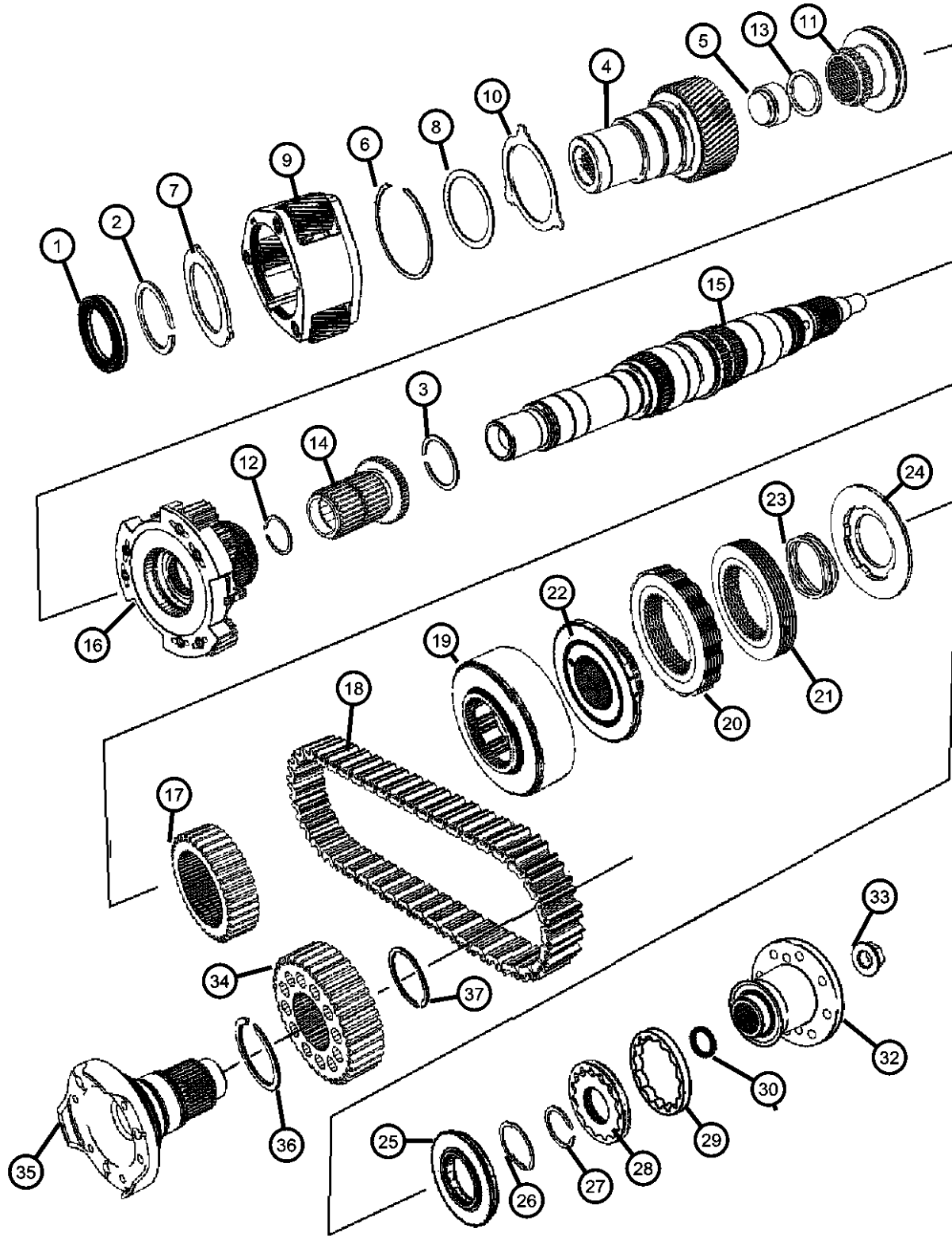
BODY
74 = SPORT UTILITY 4-DR

ENGINE
EKG = 3.7L V6 Engine
EVA = 4.7L V8 MPI Engine
EZB = 5.7L Hemi Multi Displacement Engine

TRANSMISSION
DGQ = 5-Spd Automatic 5-45RFE Transmission
DGJ = 5-Speed Automatic MB Transmission

AR = use ase required - = Non illustrated part

**Gear Train NVG 245 [DHX]
Figure 245-410**



ITEM	PART NUMBER	QTY	LINE	SERIES	BODY	ENGINE	TRANS	TRIM	DESCRIPTION
------	-------------	-----	------	--------	------	--------	-------	------	-------------

NOTE:
Refer To All Proper Tag Numbers And Stamping Numbers Before Ordering Transfer Cases And/ Or Transfer Case Parts.
Sales Codes:

- [DGJ] = 5-Speed Automatic W5A580 Transmission
- [DGQ] = 5-Speed Automatic 5-45RFE Transmission
- [DG0] = All Automatic Transmissions
- [DHX] = Quadra-Trac II Fulltime Active Transfer Case
- [DHZ] = Quadra-Trac I Fulltime 4WD Transfer Case
- [EKG] = 3.7L "Magnum" V-6 Engine
- [EK0] = All 3.7L 6-Cylinder Gas Engines
- [EVA] = 4.7L "Magnum" V-8 Engine
- [EV0] = All 4.7L 8-Cylinder Gas Engines
- [EZB] = 5.7L Hemi Multi Displacement Engine
- [EZ0] = All 5.7L 8-Cylinder Gas Engines
- [NAA] = Federal Emissions
- [NAE] = California Emissions
- [NAS] = 50 State Emissions
- [XEF] = Transfer Case Skid Plate Sheild

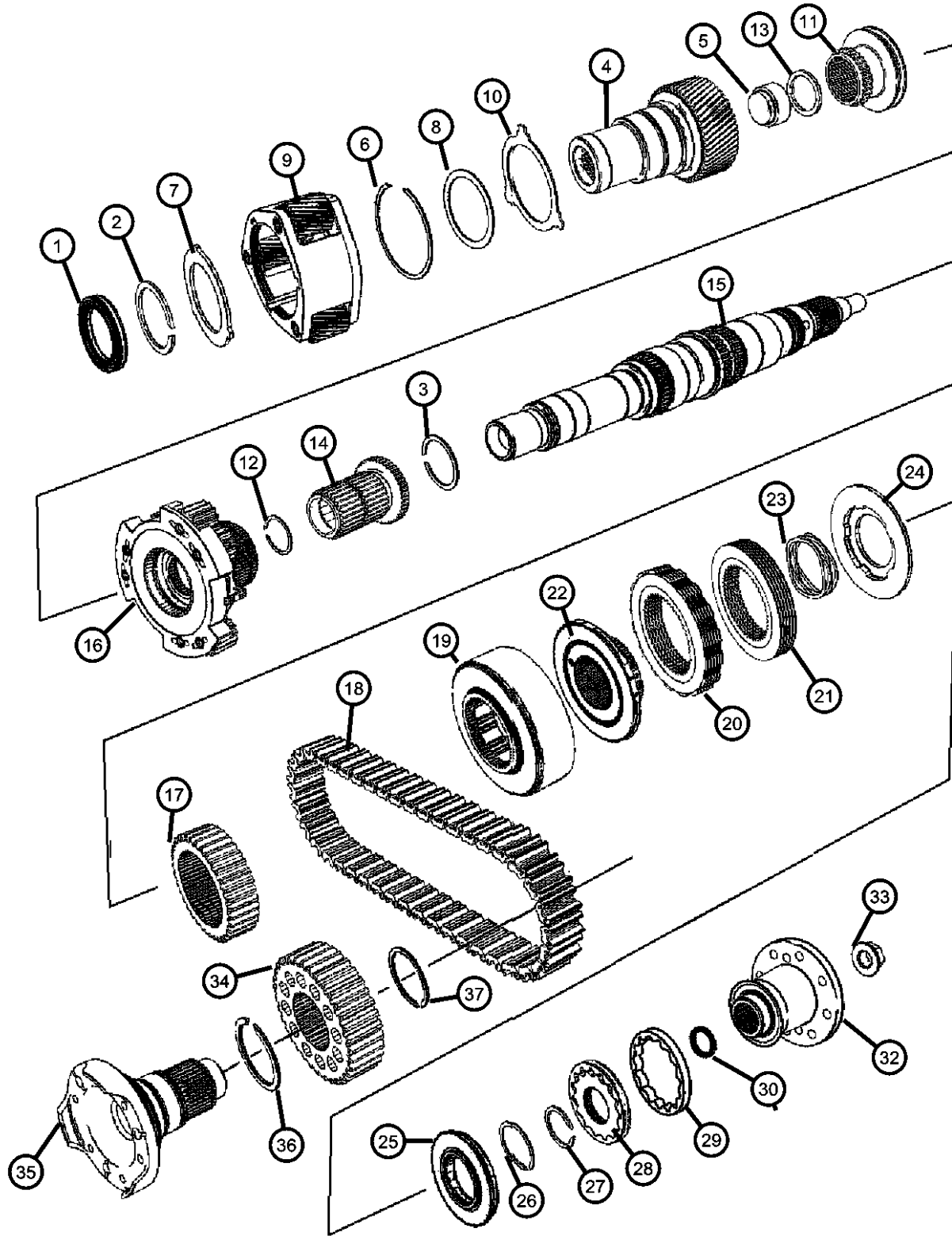
1	05143751AA	1	J			EV0, EZ0			SNAP RING
		1	J			EK0			
2	05143748AA	1	J			EV0, EZ0			SNAP RING
		1	J			EK0			
3	05143728AA	1	J			EV0, EZ0			SNAP RING
		1	J			EK0			
4	05143747AA	1	J			EV0, EZ0			GEAR, Input
	05174080AA	1	J			EK0			
5	83503507	1	J			EV0, EZ0			BEARING, Input Shaft
6	04338910	1	J			EV0, EZ0			SNAP RING
		1	J			EK0			
7	05143750AA	1	J			EV0, EZ0			PLATE
		1	J			EK0			
8	05086313AA	1	J			EV0, EZ0			THRUST WASHER, Planetary Carrier
		1	J			EK0			

NEW JEEP (XK)

SERIES	LINE	BODY	ENGINE	TRANSMISSION
H = HIGHLINE	T = JEEP - 2WD	74 = SPORT UTILITY 4-DR	EKG = 3.7L V6 Engine	DGQ = 5-Spd Automatic 5-45RFE Transmission
P = PREMIUM	J = JEEP - 4WD		EVA = 4.7L V8 MPI Engine	DGJ = 5-Speed Automatic MB Transmission
			EZB = 5.7L Hemi Multi Displacement Engine	

AR = use ase required - = Non illustrated part

**Gear Train NVG 245 [DHX]
Figure 245-410**



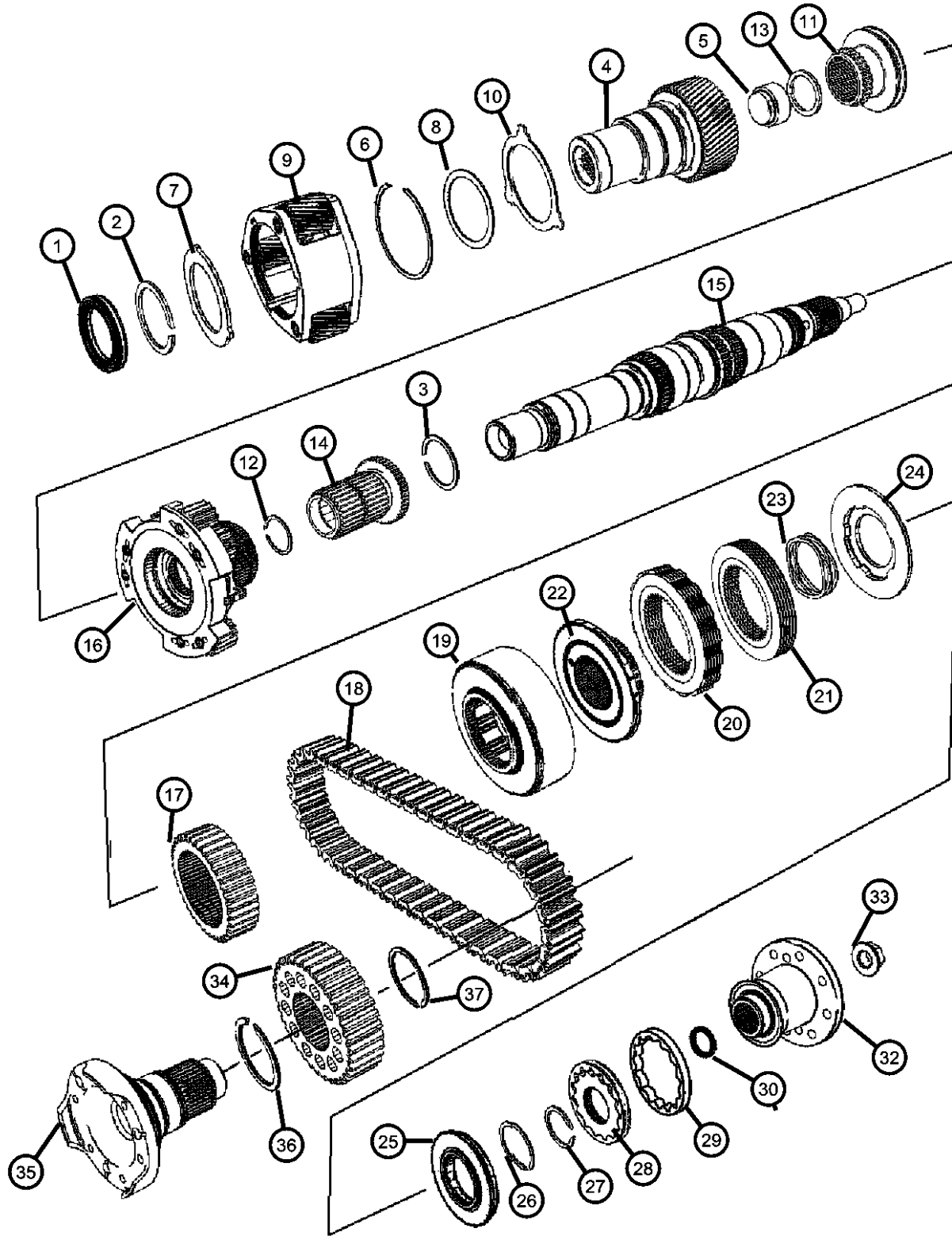
ITEM	PART NUMBER	QTY	LINE	SERIES	BODY	ENGINE	TRANS	TRIM	DESCRIPTION
9	05143746AA	1	J			EV0, EZO			PLANETARY, Transfer Case
		1	J			EK0			
10	05161956AA	1	J			EV0, EZO			THRUST WASHER, Planetary Carrier [Three Tab]
		1	J			EK0			[Three Tab]
11	05003746AA	1	J			EV0, EZO			SLEEVE, Shift Range
		1	J			EK0			
12	83503540	1	J			EV0, EZO			SNAP RING
		1	J			EK0			
13	83503539	1	J			EV0, EZO			WASHER, Intermediate Sleeve
		1	J			EK0			
14	05103314AA	1	J			EV0, EZO			SHAFT, Intermediate
		1	J			EK0			
15	05143752AA	1	J			EV0, EZO			MAINSHAFT, Transfer Case
		1	J			EK0			
16	05143726AA	1	J			EV0, EZO			DIFFERENTIAL, Transfer Case
		1	J			EK0			With 52105703AA Transfer Case
	05179814AA	1	J			EK0			With 52853391AB Transfer Case
17	05143727AA	1	J			EV0, EZO			SPROCKET, Transfer Case
		1	J			EK0			
18	05161964AA	1	J			EV0, EZO			CHAIN, Transfer Case
		1	J			EK0			
19	05143983AA	1	J			EV0, EZO			DRUM
		1	J			EK0			
20									PLATE

NEW JEEP (XK)

SERIES	LINE	BODY	ENGINE	TRANSMISSION
H = HIGHLINE	T = JEEP - 2WD	74 = SPORT UTILITY 4-DR	EKG = 3.7L V6 Engine	DGQ = 5-Spd Automatic 5-45RFE Transmission
P = PREMIUM	J = JEEP - 4WD		EVA = 4.7L V8 MPI Engine	DGJ = 5-Speed Automatic MB Transmission
			EZB = 5.7L Hemi Multi Displacement Engine	

AR = use ase required - = Non illustrated part

**Gear Train NVG 245 [DHX]
Figure 245-410**



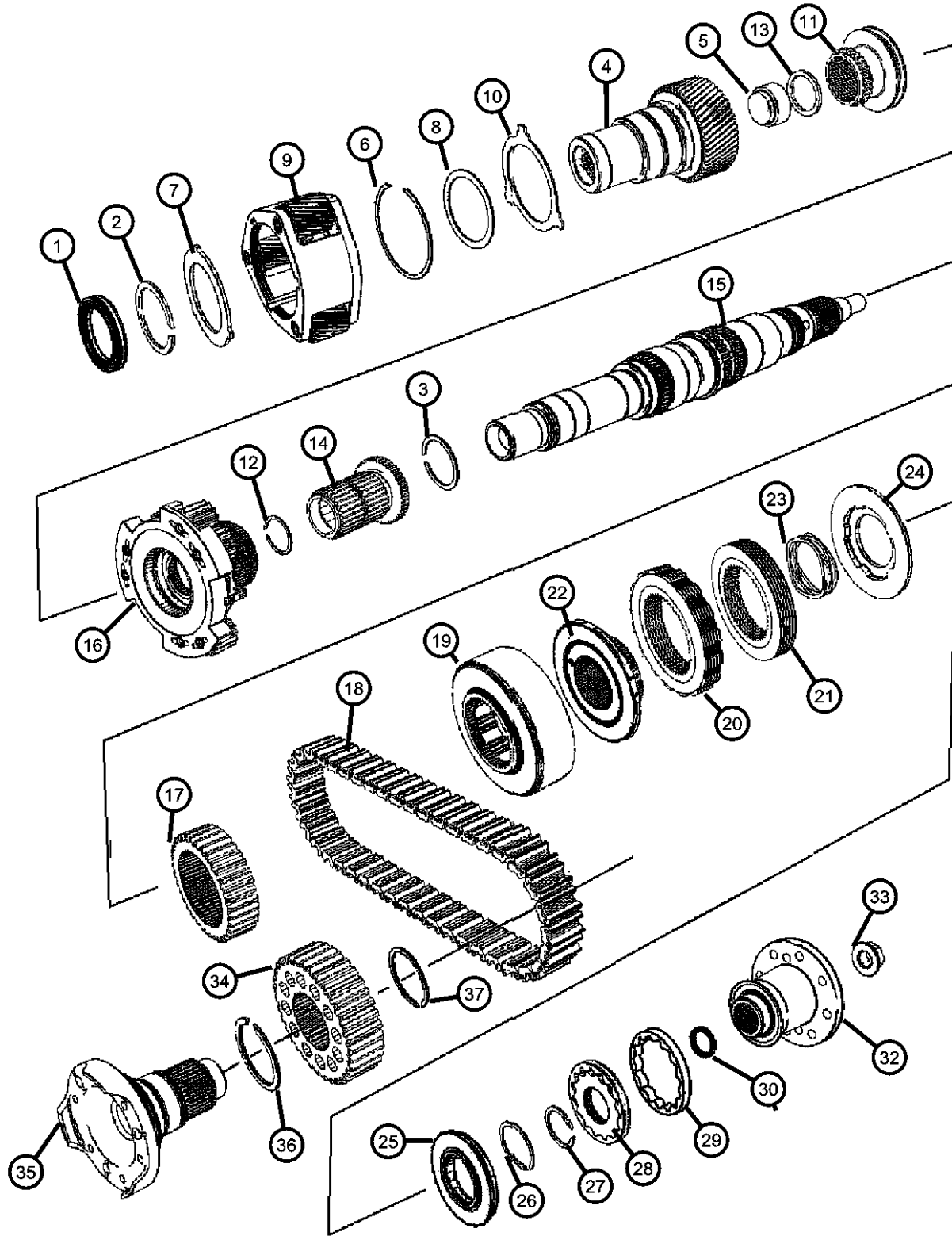
ITEM	PART NUMBER	QTY	LINE	SERIES	BODY	ENGINE	TRANS	TRIM	DESCRIPTION
	05143986AB	6	J			EV0, EZO			[Outer]
		6	J			EK0			[Outer]
21	05143987AB	6	J			EV0, EZO			PLATE
		6	J			EK0			[Inner]
22	05143984AA	1	J			EV0, EZO			DRUM
		1	J			EK0			
23	05143989AA	1	J			EV0, EZO			SPRING, Clutch
		1	J			EK0			
24	05161961AA	1	J			EV0, EZO			PLATE
		1	J			EK0			
25	05161962AA	1	J			EV0, EZO			BEARING, Thrust
		1	J			EK0			
26	83503537	1	J			EV0, EZO			SNAP RING
		1	J			EK0			
27	04883597AA	1	J			EV0, EZO			SNAP RING
		1	J			EK0			
28	05143772AA	1	J			EV0, EZO			PUMP, Transfer Case Oil
		1	J			EK0			
29	05101880AA	1	J			EV0, EZO			ROTOR, Outer
		1	J			EK0			
30	05143743AA	1	J			EV0, EZO			SEAL
		1	J			EK0			
-31	52853177AA	1	J			EK0			DAMPER, Transfer Case, With 52853391AB Transfer Case
32									FLANGE, Driveshaft Yoke

NEW JEEP (XK)

SERIES	LINE	BODY	ENGINE	TRANSMISSION
H = HIGHLINE	T = JEEP - 2WD	74 = SPORT UTILITY 4-DR	EKG = 3.7L V6 Engine	DGQ = 5-Spd Automatic 5-45RFE
P = PREMIUM	J = JEEP - 4WD		EVA = 4.7L V8 MPI Engine	Transmission
			EZB = 5.7L Hemi Multi Displacement Engine	DGJ = 5-Speed Automatic MB Transmission

AR = use ase required - = Non illustrated part

Gear Train NVG 245 [DHX]
Figure 245-410



ITEM	PART NUMBER	QTY	LINE	SERIES	BODY	ENGINE	TRANS	TRIM	DESCRIPTION
	05143757AA	1	J			EVO, EZO			
		1	J			EKO			
33	05143738AA	1	J			EVO, EZO			NUT, Transfer Case Yoke
		1	J			EKO			
34	05143730AA	1	J			EVO, EZO			SPROCKET, Transfer Case
		1	J			EKO			
35	05143716AA	1	J			EVO, EZO			OUTPUT SHAFT, Transfer Case
		1	J			EKO			
36	03821558	1	J			EVO, EZO			SNAP RING
		1	J			EKO			
37	05170294AA	1	J			EVO, EZO			SNAP RING
		1	J			EKO			

NEW JEEP (XK)

SERIES LINE
H = HIGHLINE T = JEEP - 2WD
P = PREMIUM J = JEEP - 4WD

BODY
74 = SPORT UTILITY 4-DR

ENGINE
EKG = 3.7L V6 Engine
EVA = 4.7L V8 MPI Engine
EZB = 5.7L Hemi Multi
Displacement Engine

TRANSMISSION
DGQ = 5-Spd Automatic 5-45RFE
Transmission
DGJ = 5-Speed Automatic MB
Transmission

AR = use ase required - = Non illustrated part

2006 XK

Fork and Rails NVG 245 [DHX]
Figure 245-910

ITEM	PART NUMBER	QTY	LINE	SERIES	BODY	ENGINE	TRANS	TRIM	DESCRIPTION
------	-------------	-----	------	--------	------	--------	-------	------	-------------

NOTE:

Refer To All Proper Tag Numbers And Stamping Numbers Before Ordering Transfer Cases And/ Or Transfer Case Parts.

Sales Codes:

[DGJ] = 5-Speed Automatic W5A580 Transmission

[DGQ] = 5-Speed Automatic 5-45RFE Transmission

[DG0] = All Automatic Transmissions

[DHX] = Quadra-Trac II Fulltime Active Transfer Case

[DHZ] = Quadra-Trac I Fulltime 4WD Transfer Case

[EKG] = 3.7L "Magnum" V-6 Engine

[EK0] = All 3.7L 6-Cylinder Gas Engines

[EVA] = 4.7L "Magnum" V-8 Engine

[EV0] = All 4.7L 8-Cylinder Gas Engines

[EZB] = 5.7L Hemi Multi Displacement Engine

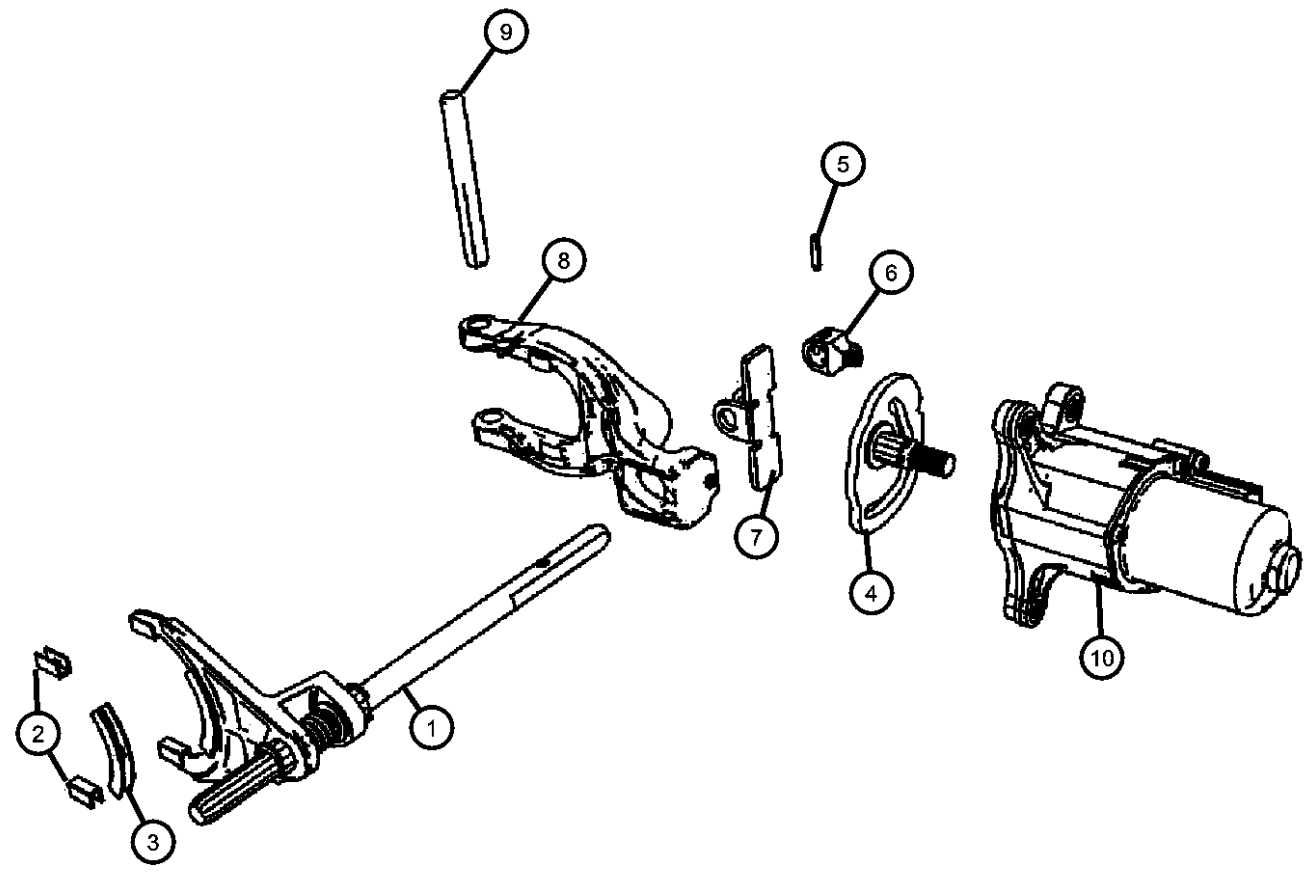
[EZ0] = All 5.7L 8-Cylinder Gas Engines

[NAA] = Federal Emissions

[NAE] = California Emissions

[NAS] = 50 State Emissions

[XEF] = Transfer Case Skid Plate Shield



1									FORK, Transfer Case Mode Shift
	05143753AA	1	J			EV0, EZ0			
		1	J			EK0			
2									PAD, Shift Fork
	05012018AA	2	J			EV0, EZ0			
		2	J			EK0			
3									PAD, Shift Fork
	05015832AA	1	J			EV0, EZ0			
		1	J			EK0			
4									SECTOR, Transfer Case
	05143769AB	1	J			EV0, EZ0			
		1	J			EK0			
5									PIN
	06101475	1	J			EV0, EZ0			
		1	J			EK0			
6									BRACKET, Shift Rail
	05170304AA	1	J			EV0, EZ0			
		1	J			EK0			
7									ROLLER, Shift Rail
	05170305AA	1	J			EV0, EZ0			
		1	J			EK0			
8									LEVER, Transfer Case

NEW JEEP (XK)

SERIES LINE

H = HIGHLINE T = JEEP - 2WD

P = PREMIUM J = JEEP - 4WD

BODY

74 = SPORT UTILITY 4-DR

ENGINE

EKG = 3.7L V6 Engine

EVA = 4.7L V8 MPI Engine

EZB = 5.7L Hemi Multi Displacement Engine

TRANSMISSION

DGQ = 5-Spd Automatic 5-45RFE Transmission

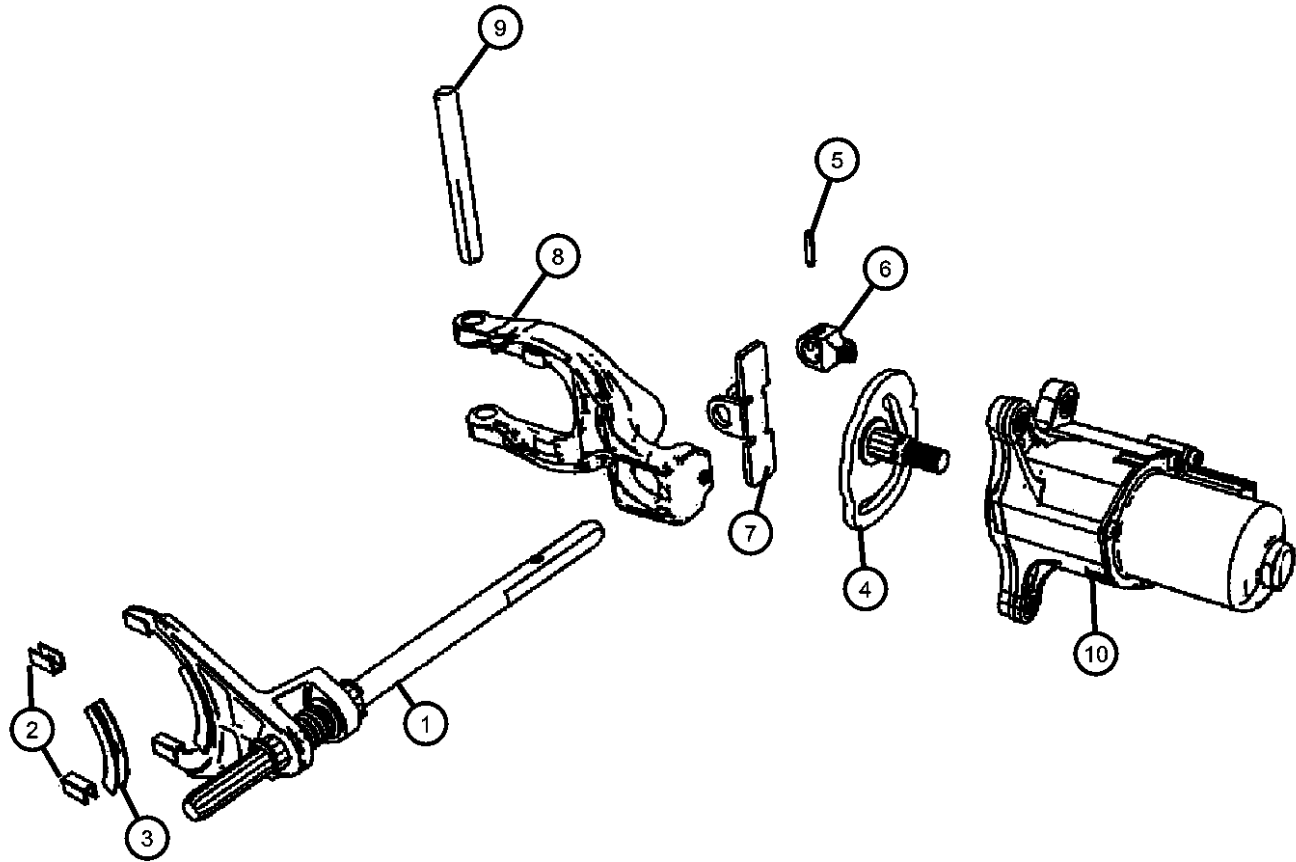
DGJ = 5-Speed Automatic MB Transmission

AR = use ase required - = Non illustrated part

2006 XK

Fork and Rails NVG 245 [DHX]
Figure 245-910

ITEM	PART NUMBER	QTY	LINE	SERIES	BODY	ENGINE	TRANS	TRIM	DESCRIPTION
	05161975AA	1	J			EV0, EZ0			
		1	J			EK0			
9	05143981AA	1	J			EV0, EZ0			RAIL, Shift
		1	J			EK0			
10	05143786AA	1	J			EV0, EZ0			ACTUATOR
		1	J			EK0			



NEW JEEP (XK)

SERIES LINE
H = HIGHLINE T = JEEP - 2WD
P = PREMIUM J = JEEP - 4WD

BODY
74 = SPORT UTILITY 4-DR

ENGINE
EKG = 3.7L V6 Engine
EVA = 4.7L V8 MPI Engine
EZB = 5.7L Hemi Multi
Displacement Engine

TRANSMISSION
DGQ = 5-Spd Automatic 5-45RFE
Transmission
DGJ = 5-Speed Automatic MB
Transmission

AR = use ase required - = Non illustrated part

**Skid Plate NVG 245 [DHX]
Figure 245-1210**

ITEM	PART NUMBER	QTY	LINE	SERIES	BODY	ENGINE	TRANS	TRIM	DESCRIPTION
------	-------------	-----	------	--------	------	--------	-------	------	-------------

NOTE:

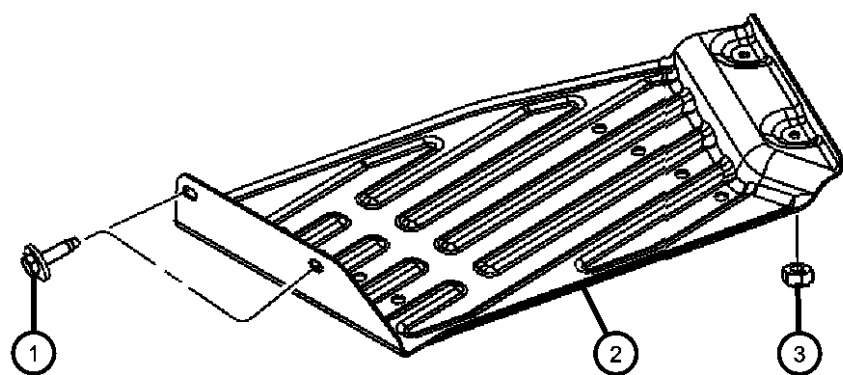
Refer To All Proper Tag Numbers And Stamping Numbers Before Ordering Transfer Cases And/ Or Transfer Case Parts.

Sales Codes:

- [DGJ] = 5-Speed Automatic W5A580 Transmission
- [DGQ] = 5-Speed Automatic 5-45RFE Transmission
- [DG0] = All Automatic Transmissions
- [DHX] = Quadra-Trac II Fulltime Active Transfer Case
- [DHZ] = Quadra-Trac I Fulltime 4WD Transfer Case
- [EKG] = 3.7L "Magnum" V-6 Engine
- [EK0] = All 3.7L 6-Cylinder Gas Engines
- [EVA] = 4.7L "Magnum" V-8 Engine
- [EV0] = All 4.7L 8-Cylinder Gas Engines
- [EZB] = 5.7L Hemi Multi Displacement Engine
- [EZ0] = All 5.7L 8-Cylinder Gas Engines
- [NAA] = Federal Emissions
- [NAE] = California Emissions
- [NAS] = 50 State Emissions
- [XEF] = Transfer Case Skid Plate Sheild

1	06503571	2	J						
2	52128499AC	1	J						
3	06101696	2	J						

SCREW AND WASHER,
M10x1.50x35, Skid Plate to
Rail and Crossmember, Mounting
SKID PLATE, Transfer Case
NUT, [M10x1.50]



NEW JEEP (XK)

SERIES	LINE
H = HIGHLINE	T = JEEP - 2WD
P = PREMIUM	J = JEEP - 4WD

BODY
74 = SPORT UTILITY 4-DR

ENGINE
EKG = 3.7L V6 Engine
EVA = 4.7L V8 MPI Engine
EZB = 5.7L Hemi Multi
Displacement Engine

TRANSMISSION
DGQ = 5-Spd Automatic 5-45RFE
Transmission
DGJ = 5-Speed Automatic MB
Transmission

AR = use ase required - = Non illustrated part

2006 XK

Group - 22

Wheels, Covers and Jacks

Group - 22 Wheels, Covers and Jacks

Illustration Title

Group-Fig. No.

Wheels and Hardware

Wheels and Hardware Fig. 22 - 110

Wheel Covers and Center Caps

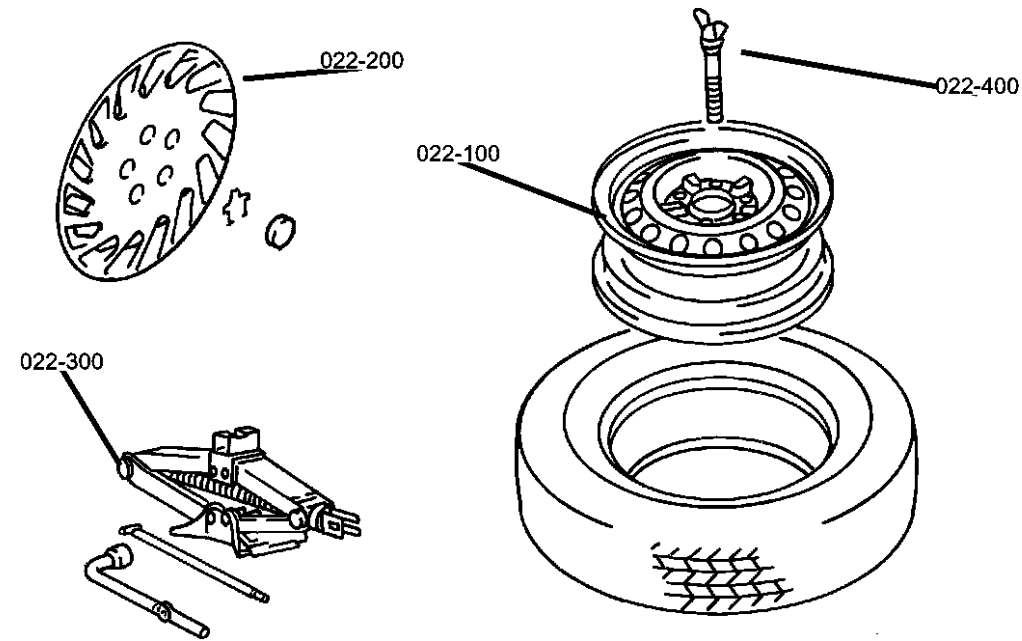
Caps, Wheel Cover and Center Fig. 22 - 210


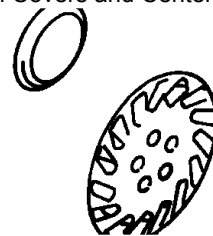
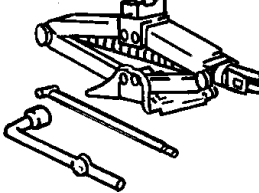
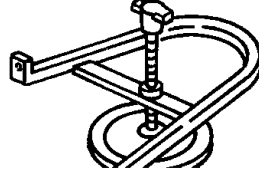
Jack Stowage

Jack Stowage..... Fig. 22 - 310

Spare Tire Stowage

Spare Wheel Stowage Fig. 22 - 410

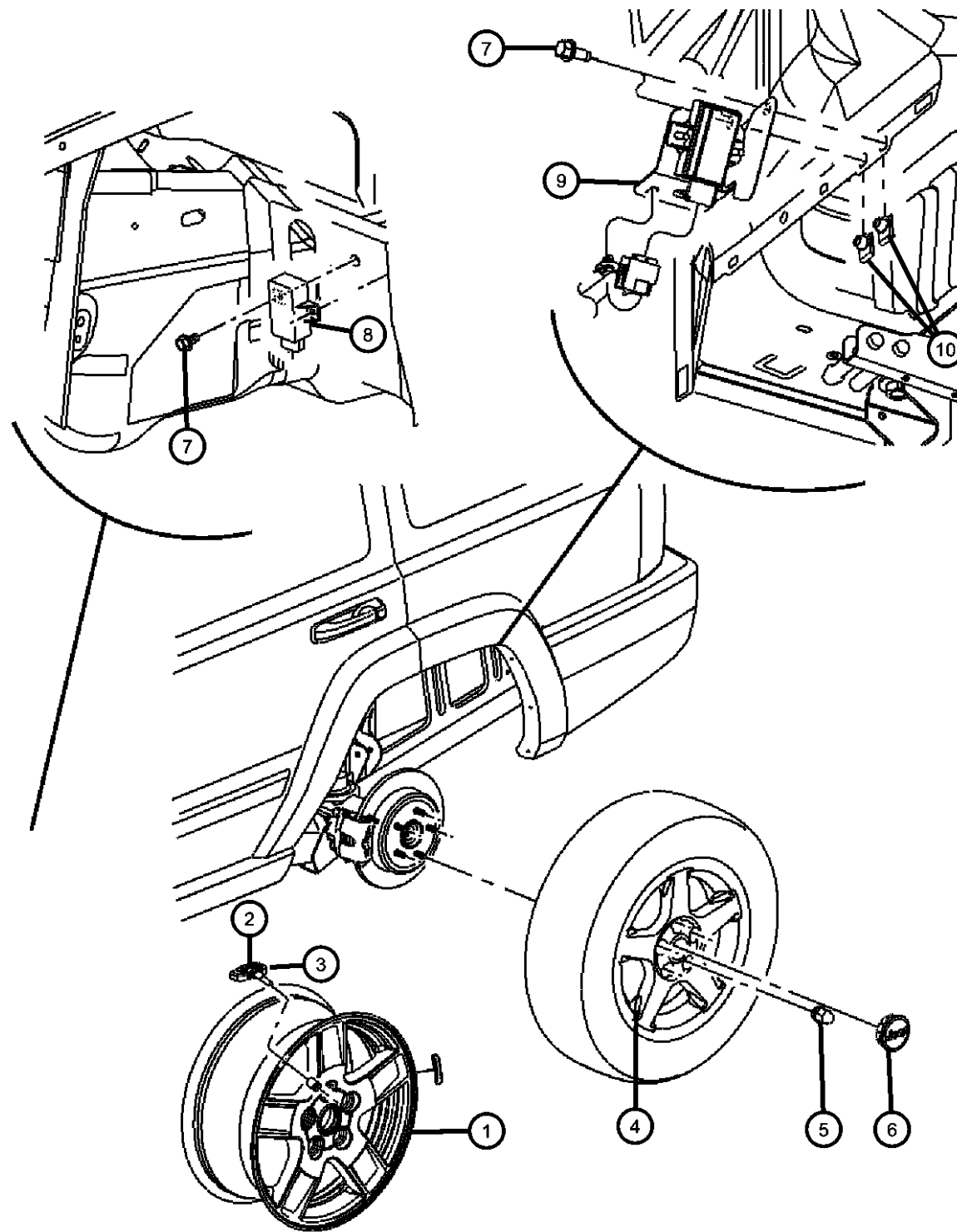


<p>022-100 Wheels and Hardware</p> 	<p>022-200 Wheel Covers and Center Caps</p> 	<p>022-300 Jack Stowage</p> 	<p>022-400 Spare Tire Stowage</p> 
-----------------------------------------------------------------------------------------------------------------------------------	--------------------------------------------------------------------------------------------------------------------------------------------	-----------------------------------------------------------------------------------------------------------------------------	------------------------------------------------------------------------------------------------------------------------------------

Wheels and Hardware
Figure 22-110

ITEM	PART NUMBER	QTY	LINE	SERIES	BODY	ENGINE	TRANS	TRIM	DESCRIPTION
------	-------------	-----	------	--------	------	--------	-------	------	-------------

NOTES: Sales Cdoes:
 [TBW] = Full Size Match Wheel Spare Tire
 [WFG] = 17X8.0 Aluminum Wheels
 [WGL] = 17X7.0 Aluminum Wheels
 [GW] = 17X8.0 Aluminum Chrome Clad Wheels



1	5JS92CDMAB	4							WHEEL, Aluminum [WGL]
		1							[WGL+TBW]
	5JS93CDMAA	1	J, T		74				[WFQ+TBW]
		4	J, T		74				[WFQ]
	5JS93PAKAA	1	J, T		74				[WF6+TBW]
		4	J, T		74				[WF6]
	5KF60SZ0AA	4							[GW]
		1							[GW+TBW]
2	56053033AA	4							NUT, Tire Pressure Sensor, [XGM]
3	56053030AB	4							SENSOR, Tire Pressure, Valve stem, [XGM]
4	56053030AB	4							WEIGHT, Wheel Balance Tape, (NOT SERVICED)
5	06036310AA	20							NUT, Wheel, .50x20
6									CAP, Wheel Center
	52090402AA	4							[WGL]
	5HT59PAKAB	4							[WFG]
	5HT59SZ0AB	4							[GW]
7	06104610AA	2							SCREW
8	56053034AC	2							MODULE, Low Tire Pressure Warning, Wheel Sensor
9	56044729AC	1							MODULE, Low Tire Pressure Warning, Trigger, Rear Right
10	06507010AA	2							NUT, U Multi Thread, M4.2x1.41
-11	68001696AA	1	J, T		74				SENSOR PACKAGE, Tire Pressure, See Sensors Group 008, Contains: Sensor & Nut
-12									HARDWARE KIT, Mounting
	68001743AA	1	J, T		74				Contains: 1-S120120001 Nut TPM Retaining, 1-S122990001 Washer, Seal, 1-S122140001 Cap, Valve Stem, Black, Euro, 1-S120121001, Cap, Valve Stem, Grey, Domestic, 1-S122988001, Seal, TPM to Wheel 1-S122914 Valve Cor

NEW JEEP (XK)

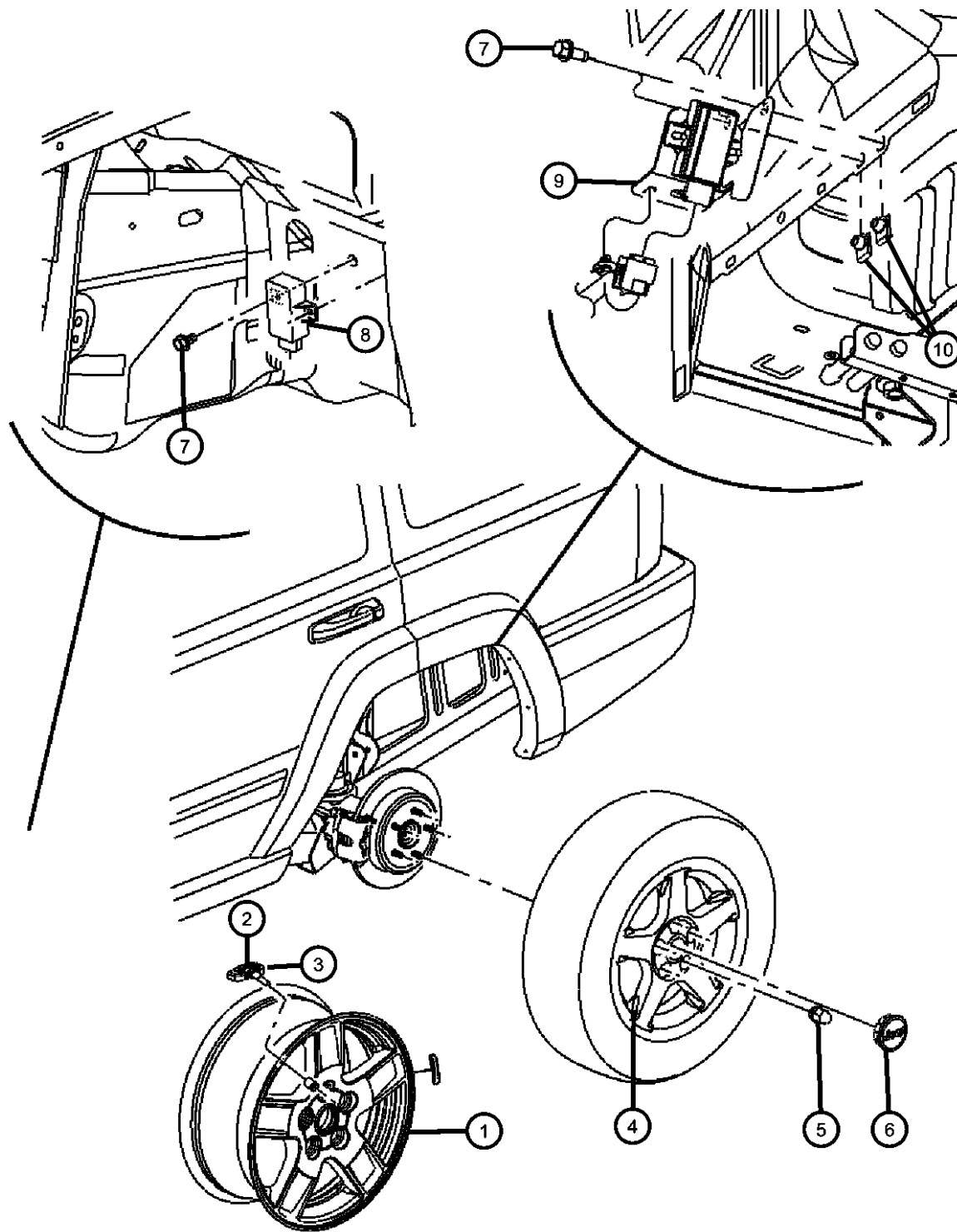
SERIES	LINE	BODY	ENGINE	TRANSMISSION
H = HIGHLINE	T = JEEP - 2WD	74 = SPORT UTILITY 4-DR	EKG = 3.7L V6 Engine	DGQ = 5-Spd Automatic 5-45RFE Transmission
P = PREMIUM	J = JEEP - 4WD		EVA = 4.7L V8 MPI Engine	DGJ = 5-Speed Automatic MB Transmission
			EZB = 5.7L Hemi Multi Displacement Engine	

AR = use ase required - = Non illustrated part

2006 XK

Wheels and Hardware
Figure 22-110

ITEM	PART NUMBER	QTY	LINE	SERIES	BODY	ENGINE	TRANS	TRIM	DESCRIPTION
	68001744AA	1	J, T		74				Contains: 1-S122914001,Valve Core,TPM,1-S120121001,Cap,Valve Stem,Grey,Domes-tic,1-S122140001,Cap,Valve Stem,Black,Euro
-13	68024258AA	1	J, T		74				CAP KIT, Valve Stem, Grey, Contains: Cap,Valve Stem,Grey,Qty.5



NEW JEEP (XK)

SERIES LINE
H = HIGHLINE T = JEEP - 2WD
P = PREMIUM J = JEEP - 4WD

BODY
74 = SPORT UTILITY 4-DR


ENGINE
EKG = 3.7L V6 Engine
EVA = 4.7L V8 MPI Engine
EZB = 5.7L Hemi Multi Displacement Engine

TRANSMISSION
DGQ = 5-Spd Automatic 5-45RFE Transmission
DGJ = 5-Speed Automatic MB Transmission

AR = use ase required - = Non illustrated part

2006 XK

**Caps, Wheel Cover and Center
Figure 22-210**

① 			

ITEM	PART NUMBER	QTY	LINE	SERIES	BODY	ENGINE	TRANS	TRIM	DESCRIPTION
------	-------------	-----	------	--------	------	--------	-------	------	-------------

NOTES: Sales Codes:
[WFG] = 17X8.0 Aluminum Wheel
[WGL] = 17X7.0 Aluminum Wheel

1									
	52090402AA	4							
	5HT59PAKAB	4							

CAP, Wheel Center
[WGL]
[WFG]

NEW JEEP (XK)

SERIES LINE
H = HIGHLINE T = JEEP - 2WD
P = PREMIUM J = JEEP - 4WD

BODY
74 = SPORT UTILITY 4-DR

ENGINE
EKG = 3.7L V6 Engine
EVA = 4.7L V8 MPI Engine
EZB = 5.7L Hemi Multi Displacement Engine

TRANSMISSION
DGQ = 5-Spd Automatic 5-45RFE Transmission
DGJ = 5-Speed Automatic MB Transmission

AR = use ase required - = Non illustrated part

2006 XK

Jack Stowage
Figure 22-310

ITEM	PART NUMBER	QTY	LINE	SERIES	BODY	ENGINE	TRANS	TRIM	DESCRIPTION
------	-------------	-----	------	--------	------	--------	-------	------	-------------

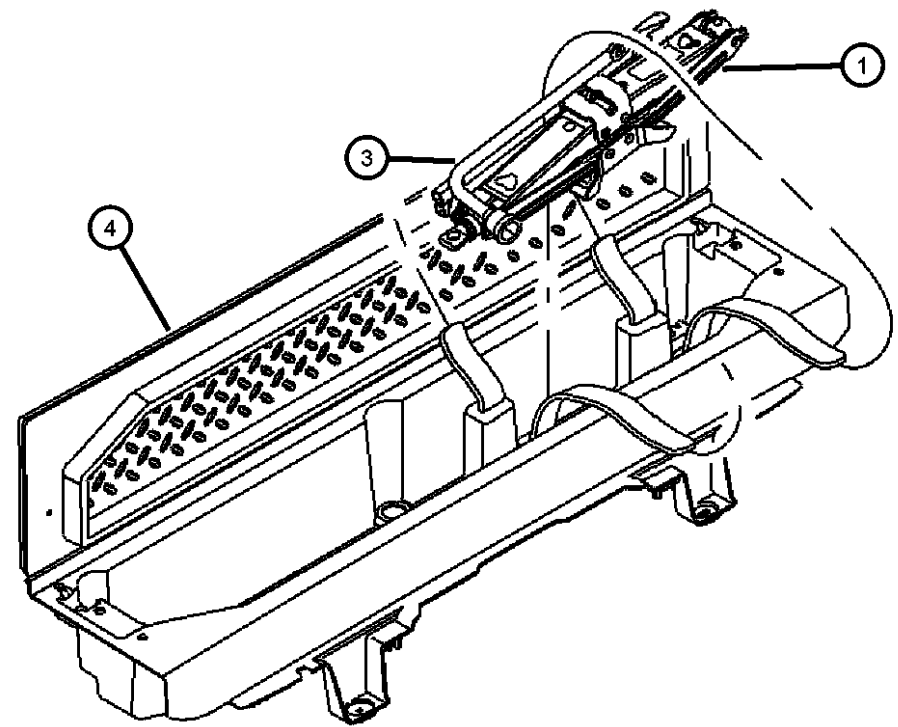
NOTE: Jack includes: Storage Bag, 2 Extensions, and Driver

NOTES: Sales Codes:

[CKN] = Cargo Compartment Carpet

[HBB] = Rear Air Conditioning with Heater

[XLR] = French/Canadian Language



1									JACK
	52124168AA	1							Contains Tool Kit [CKN+HBB]
	55366626AA	1							Jack only [CKN+HBB]
2									LABEL, Jack Caution
	52110391AB	1							[CKN+HBB]
	52110392AB	1							[XLR]
3	52124170AA	1	J, T				74		WRENCH, Wheel Lug Nut
4	5KC38XD-HAD	1							LID, Load Floor, Part of Load Floor

NEW JEEP (XK)

SERIES	LINE
H = HIGHLINE	T = JEEP - 2WD
P = PREMIUM	J = JEEP - 4WD

BODY
74 = SPORT UTILITY 4-DR

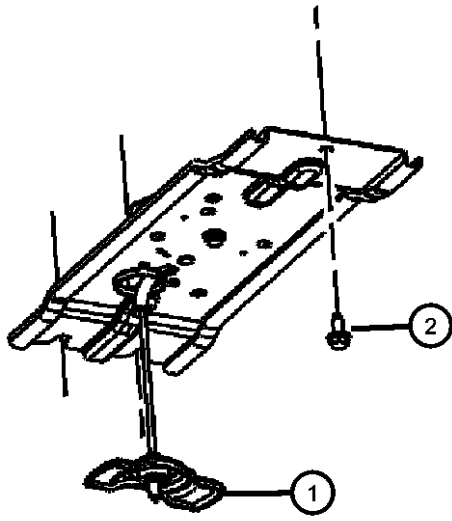
ENGINE
EKG = 3.7L V6 Engine
EVA = 4.7L V8 MPI Engine
EZB = 5.7L Hemi Multi Displacement Engine

TRANSMISSION
DGQ = 5-Spd Automatic 5-45RFE Transmission
DGJ = 5-Speed Automatic MB Transmission

AR = use ase required - = Non illustrated part

**Spare Wheel Stowage
Figure 22-410**

ITEM	PART NUMBER	QTY	LINE	SERIES	BODY	ENGINE	TRANS	TRIM	DESCRIPTION
1	55396941AD	1							WINCH, Spare Tire Carrier
2	06503543	3							BOLT AND CONED WASHER, Hex Head, M8x1.25x25



NEW JEEP (XK)

SERIES	LINE	BODY	ENGINE	TRANSMISSION
H = HIGHLINE	T = JEEP - 2WD	74 = SPORT UTILITY 4-DR	EKG = 3.7L V6 Engine	DGQ = 5-Spd Automatic 5-45RFE Transmission
P = PREMIUM	J = JEEP - 4WD		EVA = 4.7L V8 MPI Engine	DGJ = 5-Speed Automatic MB Transmission
			EZB = 5.7L Hemi Multi Displacement Engine	

AR = use ase required - = Non illustrated part

Group - 23D

Wiper/Lock Cylinder and Keys

Group - 23D Wiper/Lock Cylinder and Keys

Illustration Title

Group-Fig. No.

Lock Cylinders and Keys

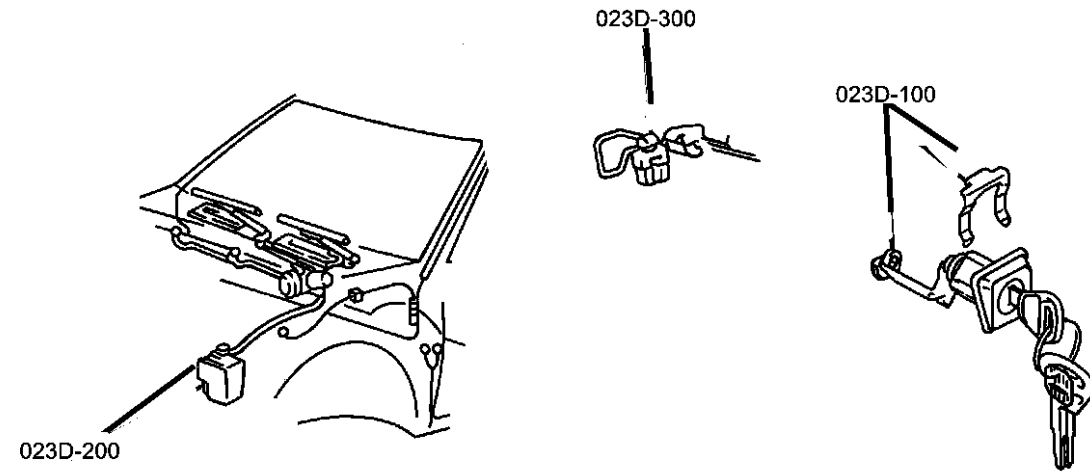
Lock Cylinders and Keys Fig. 23D - 110

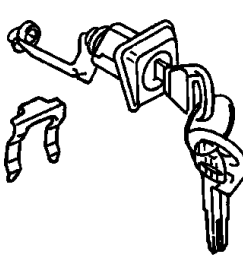
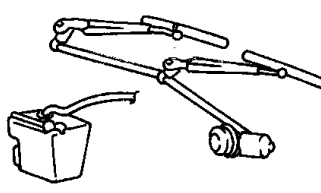
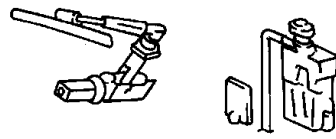
Windshield Wiper and Washer Systems

Windshield Wiper and Washer Fig. 23D - 210

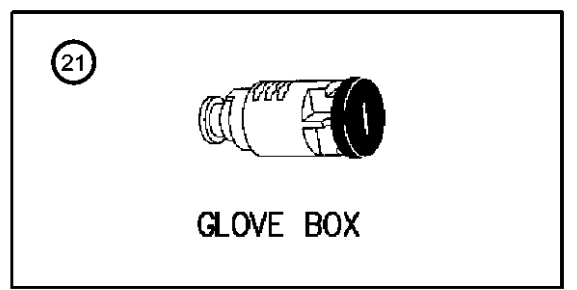
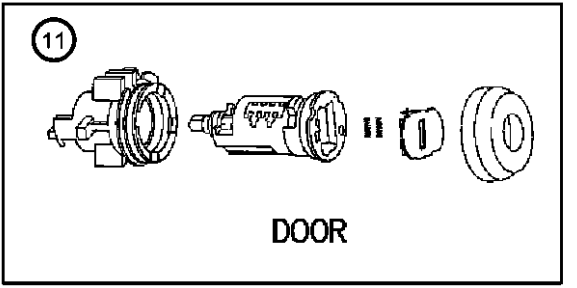
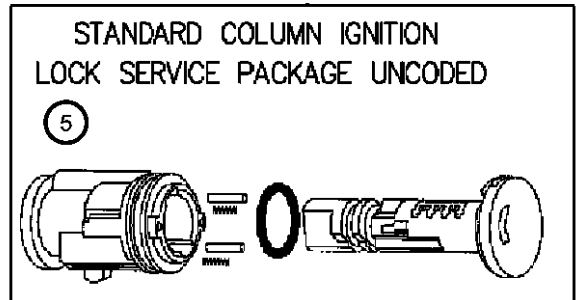
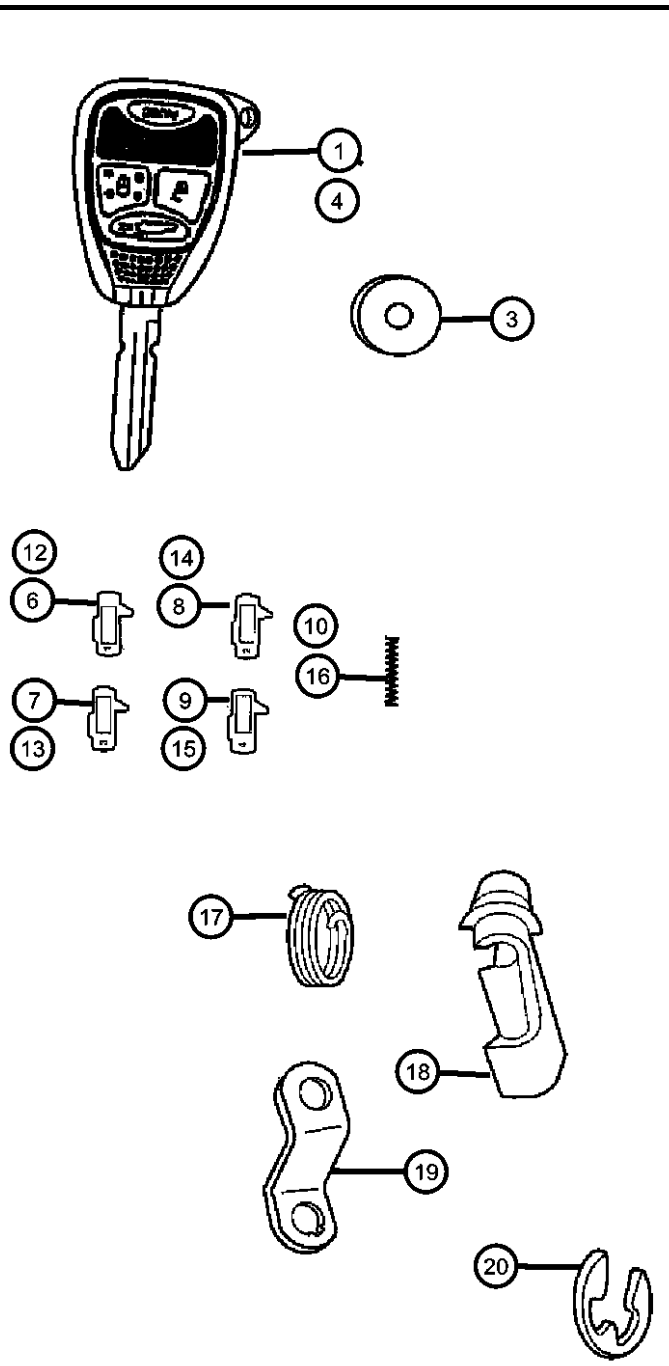
Rear Wiper and Washer System

Rear Wiper and Washer System Fig. 23D - 310



<p>23D-100 Lock Cylinders and Keys</p> 	<p>23D-200 Windshield Wiper and Washer Systems</p> 	<p>23D-300 Rear Wiper and Washer System</p> 	
--------------------------------------------------------------------------------------------------------------------------------------	---------------------------------------------------------------------------------------------------------------------------------------------------	---------------------------------------------------------------------------------------------------------------------------------------------	--

**Lock Cylinders and Keys
Figure 23D-110**

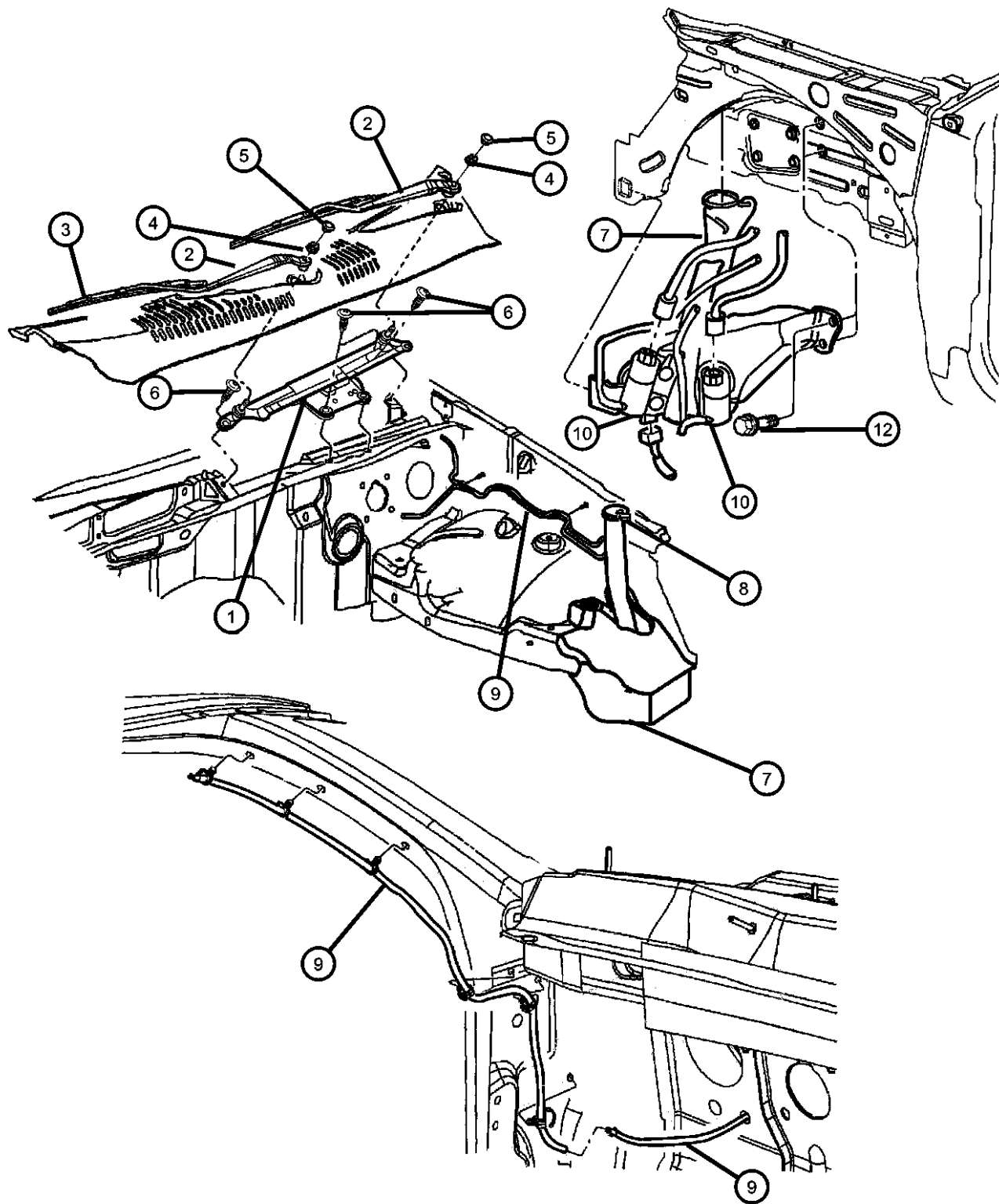


ITEM	PART NUMBER	QTY	LINE	SERIES	BODY	ENGINE	TRANS	TRIM	DESCRIPTION
1	05183349AA	1							KEY, BLANK WITH TRANSMITTER
-2	05137531AA	4							SCREW
3	05140773AA	1							BATTERY, Transmitter
4	05143553AA	1							KEY, Master Jeep Sentry
5	05139207AA	1							CYLINDER, Ignition Lock
6	05257132AB	1							TUMBLER, Number 1
7	05257133AB	1							TUMBLER, Number 2
8	05257134AB	1							TUMBLER, Number 3
9	05257135AB	1							TUMBLER, Number 4
10	04746873	1							SPRING, Lock Cylinder Tumbler
11	05143554AA	1							CYLINDER, Door Lock
12	04778117AB	1							TUMBLER, Door and Deck Number 1, Wide
13	04778118AB	1							TUMBLER, Door and Deck Number 2, Wide
14	04778119AB	1							TUMBLER, Door and Deck Number 3, Wide
15	04778120AB	1							TUMBLER, Door and Deck Number 4, Wide
16	04778121	1							SPRING, Door and Deck Tumbler
17	04778121	1							SPRING, Lock Cylinder Return, (NOT SERVICED)
18	04778121	1							CLIP, Retainer, (NOT SERVICED)
19	55136554AA	1							LEVER, Door Lock Cylinder
20	05071063AA	1							RETAINER, Lock Rod
21	04746315	1							CYLINDER, Glove Box Lock

NEW JEEP (XK)				
SERIES	LINE	BODY	ENGINE	TRANSMISSION
H = HIGHLINE P = PREMIUM	T = JEEP - 2WD J = JEEP - 4WD	74 = SPORT UTILITY 4-DR	EKG = 3.7L V6 Engine EVA = 4.7L V8 MPI Engine EZB = 5.7L Hemi Multi Displacement Engine	DGQ = 5-Spd Automatic 5-45RFE Transmission DGJ = 5-Speed Automatic MB Transmission

AR = use ase required - = Non illustrated part

**Windshield Wiper and Washer
Figure 23D-210**



ITEM	PART NUMBER	QTY	LINE	SERIES	BODY	ENGINE	TRANS	TRIM	DESCRIPTION
1	55156851AC	1							MODULE, Wiper
2									ARM, Wiper
	05179182AA	1							FRONT WIPER RIGHT PASNGR
	05179183AA	1							FRONT WIPER LEFT DRIVER
3									BLADE, Wiper
	05179181AA	1							LEFT
	WBW00018AD								Mopar Alternative Winter Wiper Blades
	WB000018AE								Mopar V-Line Alternative Part
	05183008AA	1							RIGHT
	WBW00018AD								Mopar Alternative Winter Wiper Blades
	WB000018AE								Mopar V-Line Alternative Part
4	06104716AA	1							NUT, To Motor Shaft, Rear Wiper Arm
5	04389440	2							CAP, Wiper Arm Nut
6	06034860	4							BOLT AND WASHER, Implement Attaching
7	05143580AA	1							RESERVOIR, Washer
8	04797694	1							CAP, Washer Reservoir
9	HWV00532AB	AR							HOSE 1FT, Windshield Washer, 5/32"
10	05143581AA	1							PUMP, Windshield Washer, Dual Outlet
-11	05011809AA	1							GROMMET, Windshield Washer Pump, Pump Grommet
12	05011809AA	1							SCREW, .250-14x.875, (NOT SERVICED)
-13	04806312AA	2							NOZZLE, Windshield washer
-14	05161966AA	1							SENSOR, Washer Fluid Level
-15	05161966AA	1							CLIP, Hood Washer Hose, (NOT SERVICED)
-16	55157431AA	1							HOSE AND CONNECTOR, Windshield Washer
-17	05013755AA	1							GROMMET, Washer Level Sensor

NEW JEEP (XK)

SERIES LINE
H = HIGHLINE T = JEEP - 2WD
P = PREMIUM J = JEEP - 4WD

BODY
74 = SPORT UTILITY 4-DR

ENGINE
EKG = 3.7L V6 Engine
EVA = 4.7L V8 MPI Engine
EZB = 5.7L Hemi Multi
Displacement Engine

TRANSMISSION
DGQ = 5-Spd Automatic 5-45RFE
Transmission
DGJ = 5-Speed Automatic MB
Transmission

AR = use ase required - = Non illustrated part

2006 XK

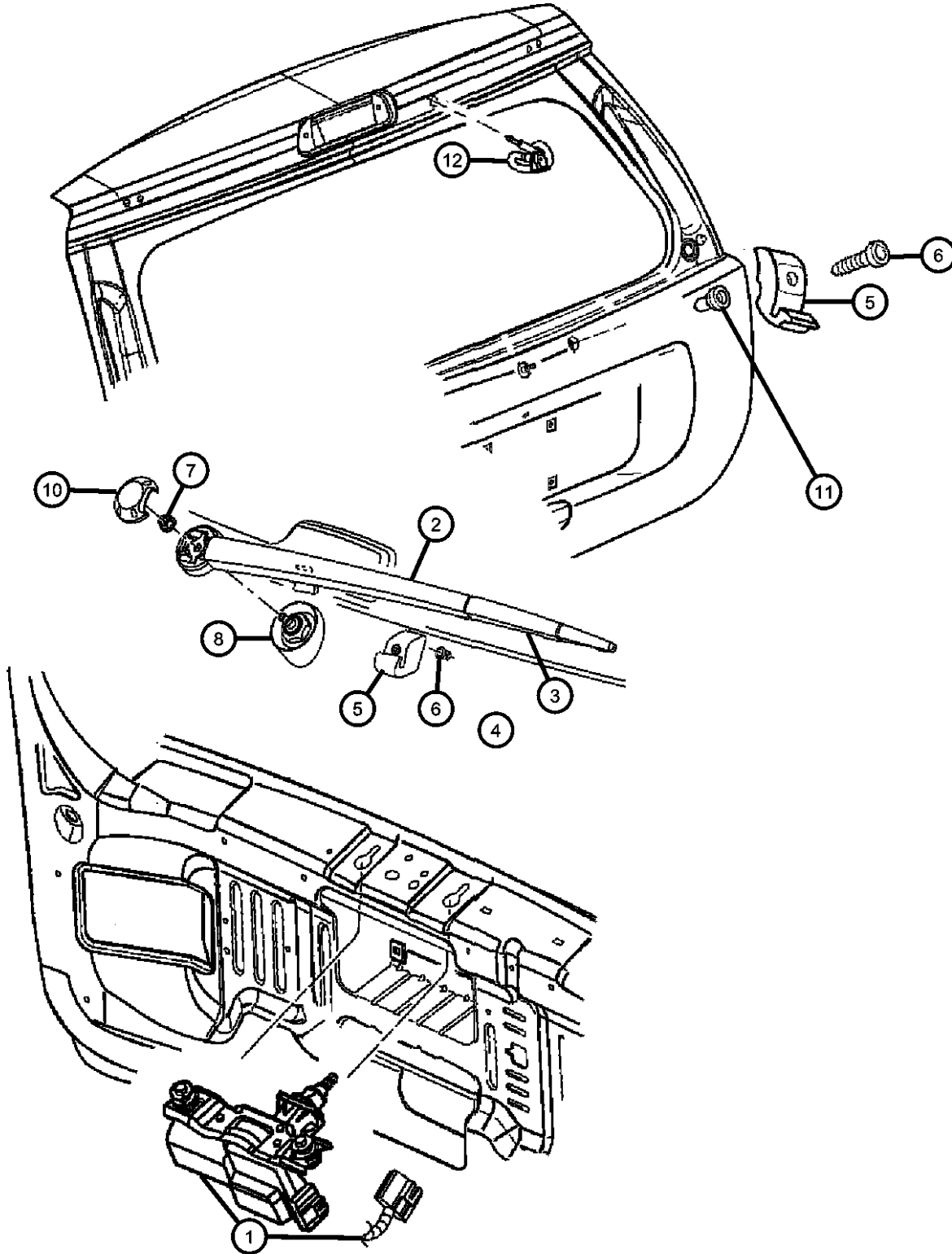
**Rear Wiper and Washer System
Figure 23D-310**

ITEM	PART NUMBER	QTY	LINE	SERIES	BODY	ENGINE	TRANS	TRIM	DESCRIPTION
------	-------------	-----	------	--------	------	--------	-------	------	-------------

NOTES:

[JHB] = Wiper/Washer - Rear Window

1	55156325AC	1							MOTOR, Liftgate Wiper
2	05174877AA	1							ARM, Liftgate Wiper
3	05174876AA	1							BLADE, Rear window wiper
4	05174876AA	1							REFILL, Wiper Blade, SEE COMMENT, (NOT SERVICED)
5	55157035AC	1							RAMP, Wiper Park
6	06505062AA	1							SCREW, Pilot Point
7	06104716AA	1							NUT
8	55156325AC	1							MOTOR, Liftgate Wiper
-9	55156862AB	1							BEZEL, Liftgate Wiper Motor
10	55156514AB	1							CAP, Wiper Arm Nut, [JHB]
11	06503245	1							RIVET, Ramp Attaching
12	05179077AA	1							NOZZLE, Liftgate Washer
-13	05143581AA	1							PUMP, Windshield Washer, Dual Outlet
-14	05161966AA	1							SENSOR, Washer Fluid Level
-15	HWV00532AB	AR							HOSE 1FT, Windshield Washer, 5/32"



NEW JEEP (XK)

SERIES	LINE
H = HIGHLINE	T = JEEP - 2WD
P = PREMIUM	J = JEEP - 4WD

BODY
74 = SPORT UTILITY 4-DR

ENGINE
EKG = 3.7L V6 Engine
EVA = 4.7L V8 MPI Engine
EZB = 5.7L Hemi Multi Displacement Engine

TRANSMISSION
DGQ = 5-Spd Automatic 5-45RFE Transmission
DGJ = 5-Speed Automatic MB Transmission

AR = use ase required - = Non illustrated part

2006 XK

Group - 24

Air Conditioning & Heater

Group - 24 Air Conditioning & Heater

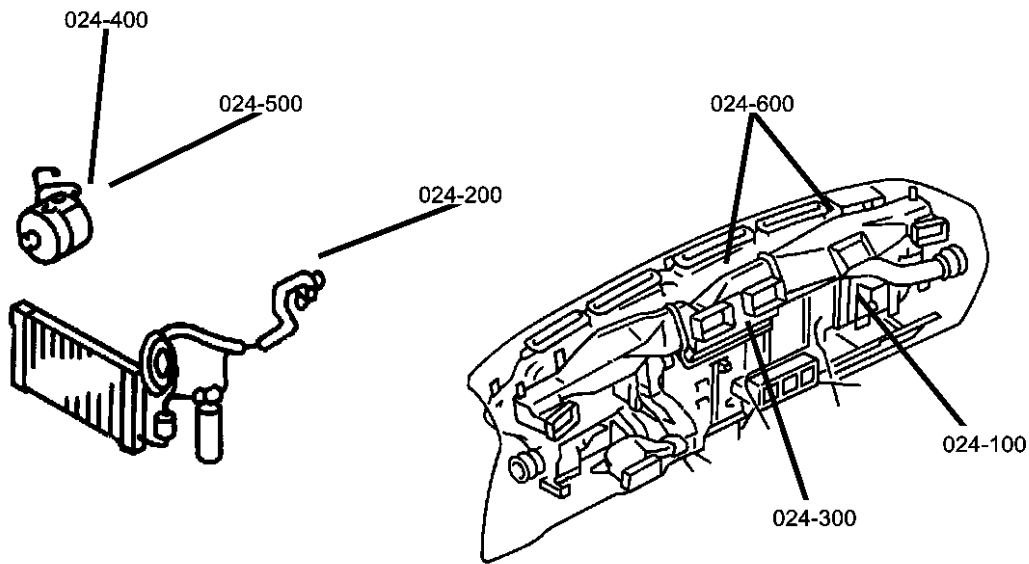


Illustration Title

Group-Fig. No.

Air Conditioner and Heater Units

HEVAC, Unit, LHD	Fig. 24 - 110
Aux. Air Conditioning and Heater	Fig. 24 - 120

Air Conditioner and Heater Plumbing

Underbody A/C & Heater Lines	Fig. 24 - 205
Hoses, Heater 3.7L, 4.7L Engine	Fig. 24 - 210
Hoses, Heater 5.7L Engine	Fig. 24 - 215
Plumbing, Air Conditioning 3.7, 4.7L Engine	Fig. 24 - 220
Plumbing, Air Conditioning 5.7L Engine	Fig. 24 - 225

Air Conditioner and Heater Controls

Control, Heater and Air Conditioner	Fig. 24 - 310
-------------------------------------------	---------------

Air Conditioning Compressor

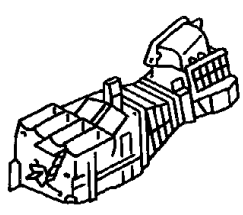
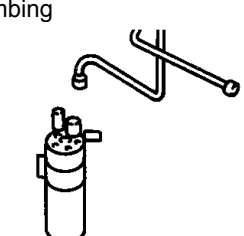
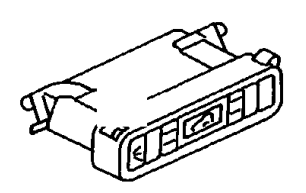
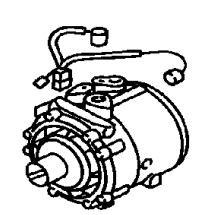
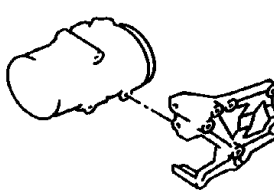
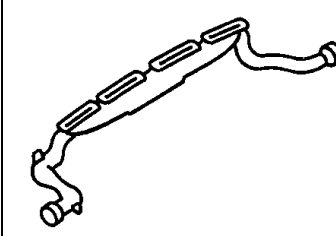
Compressor, Air Conditioning 3.7L, 4.7L Engine	Fig. 24 - 410
Compressor, Air Conditioning 5.7L Engine	Fig. 24 - 420

Air Conditioning Compressor Mounting

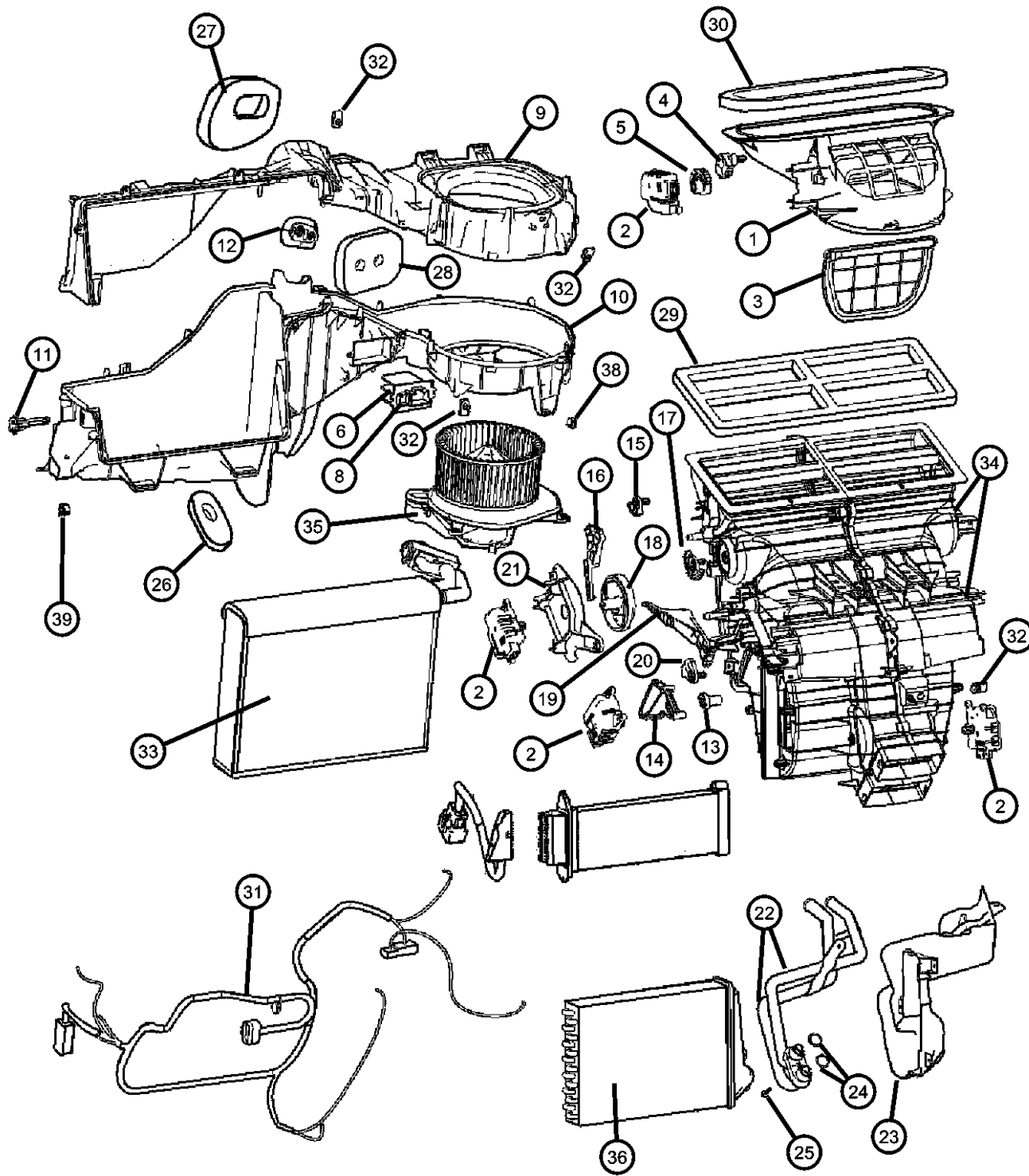
Compressor, Mounting 3.7L, 4.7L Engine	Fig. 24 - 510
Compressor, Mounting 5.7L Engine	Fig. 24 - 520

Air Ducts and Outlets

Air Ducts and Outlets	Fig. 24 - 610
-----------------------------	---------------

<p>024-100 Air Conditioner and Heater Units</p> 	<p>024-200 Air Conditioner and Heater Plumbing</p> 	<p>024-300 Air Conditioner and Heater Controls</p> 	<p>024-400 Air Conditioning Compressor</p> 
<p>024-500 Air Conditioning Compressor Mounting</p> 	<p>024-600 Air Ducts and Outlets</p> 		

HEVAC, Unit, LHD
Figure 24-110



ITEM	PART NUMBER	QTY	LINE	SERIES	BODY	ENGINE	TRANS	TRIM	DESCRIPTION
Sales Codes: [HAA]=Air Conditioning [HAF]= A/C With Automatic Temperature Control Dual Zone									
1	05143123AA	1				EVO, EZO			HOUSING, Air Inlet With [HAF]
		1				EK0, EVO			With [HAA]
2	05143192AA	5				EVO, EZO			ACTUATOR, A/C and Heater With [HAF]
		4				EK0, EVO			With [HAA]
3	05143124AA	1				EVO, EZO			DOOR, Air Inlet With [HAF]
		1				EK0, EVO			With [HAA]
4	05143125AA	1				EVO, EZO			LEVER, A/C Recirculation Door With [HAF]
		1				EK0, EVO			With [HAA]
5	05143126AA	1				EK0, EVO			LEVER, Door Actuator With [HAA]
		1				EVO, EZO			With [HAF]
6	04885482AC	1				EVO, EZO			MODULE, Power, Blower Motor, With [HAF]
-7	05061415AA	1				EVO, EZO			COVER, Module
8	05143127AA	1				EK0, EVO			RESISTOR, Blower Motor, With [HAA]
9	05143147AA	1				EVO, EZO			HOUSING, Evaporater Upper With [HAF]
		1				EK0, EVO			With [HAA]
10	05143148AA	1				EVO, EZO			HOUSING, Evaporator Lower With [HAF]
		1				EK0, EVO			With [HAA]
11	05143149AA	1				EVO, EZO			PROBE, Air Conditioning With [HAF]
		1				EK0, EVO			With [HAA]
12	05143150AA	1				EVO, EZO			GROMMET, Evaporator Tubes With [HAF]
		1				EK0, EVO			With [HAA]
13	05143183AA	2				EVO, EZO			LEVER, Panel Door With [HAF]

NEW JEEP (XK)

SERIES LINE
H = HIGHLINE T = JEEP - 2WD
P = PREMIUM J = JEEP - 4WD

BODY
74 = SPORT UTILITY 4-DR

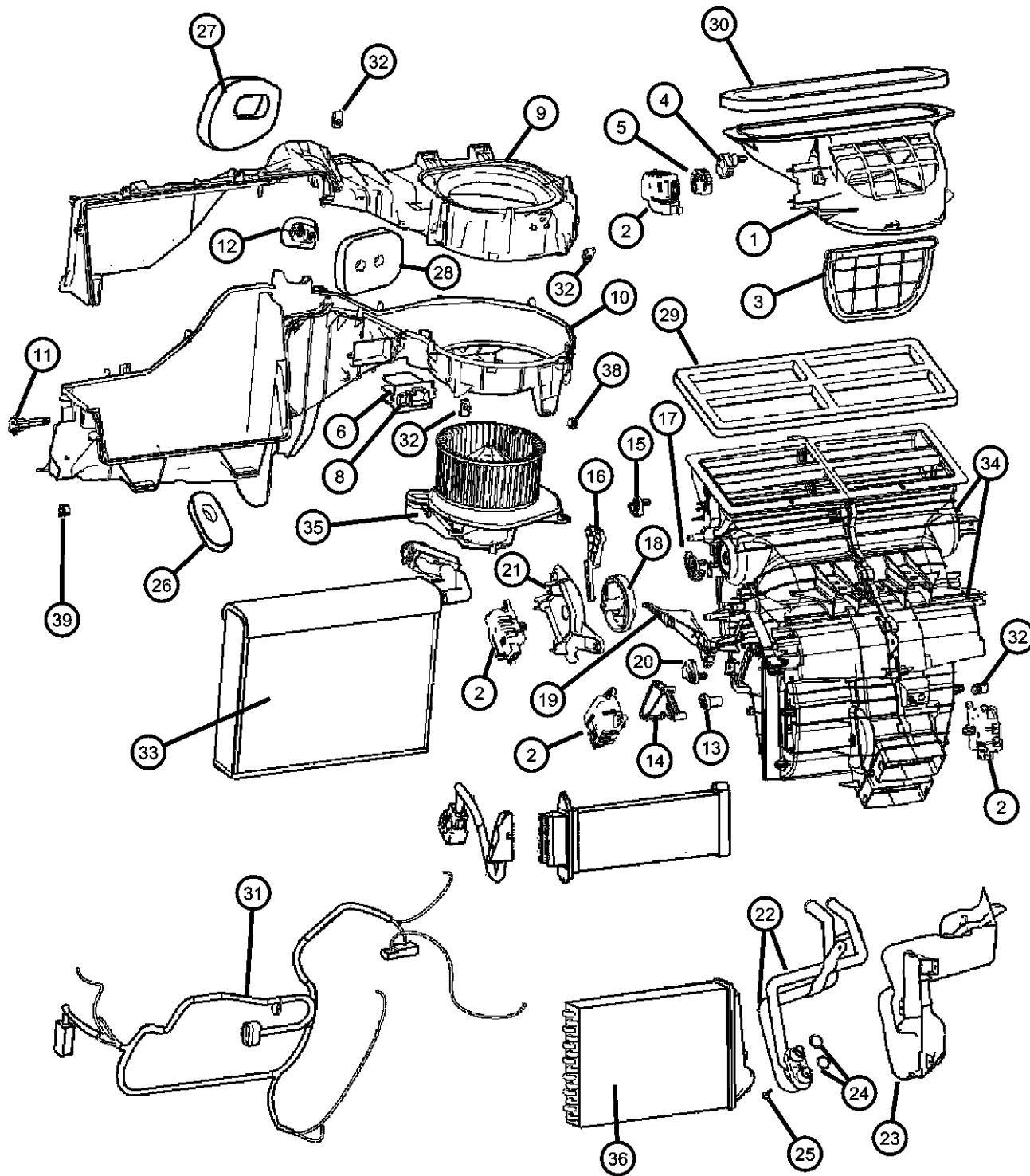
ENGINE
EKG = 3.7L V6 Engine
EVA = 4.7L V8 MPI Engine
EZB = 5.7L Hemi Multi
Displacement Engine

TRANSMISSION
DGQ = 5-Spd Automatic 5-45RFE
Transmission
DGJ = 5-Speed Automatic MB
Transmission

AR = use ase required - = Non illustrated part

2006 XK

HEVAC, Unit, LHD
Figure 24-110



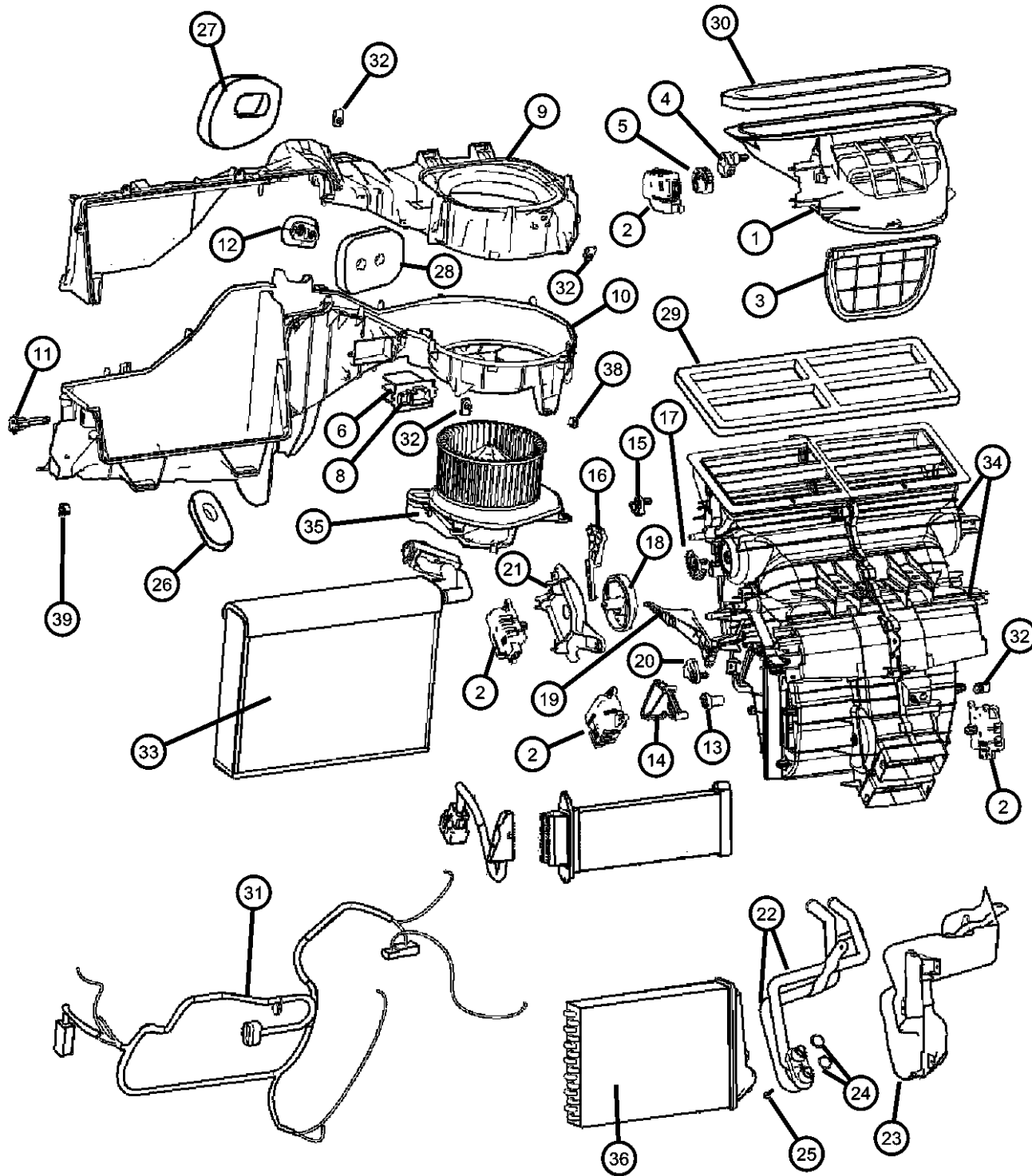
ITEM	PART NUMBER	QTY	LINE	SERIES	BODY	ENGINE	TRANS	TRIM	DESCRIPTION
		1				EK0, EVO			With [HAA]
14		1							PLATE, Actuator Mount, (NOT SERVICED),
15									LEVER, Panel Door
	05143184AA	1				EVO, EZO			With [HAF]
		1				EK0, EVO			With [HAA]
16									LINK, Heater and Defroster Door
	05143188AA	1				EVO, EZO			With [HAF]
		1				EK0, EVO			With [HAA]
17									LEVER, Panel Door
	05143185AA	1				EVO, EZO			With [HAF]
		1				EK0, EVO			With [HAA]
18									CAM, Mode
	05143187AA	1				EVO, EZO			With [HAF]
		1				EK0, EVO			With [HAA]
19									LINK, Floor Door
	05143189AA	1				EVO, EZO			With [HAF]
		1				EK0, EVO			With [HAA]
20									LEVER, Panel Door
	05143186AA	1				EVO, EZO			With [HAF]
		1				EK0, EVO			With [HAA]
21									PLATE, Actuator Mount
	05143191AA	1				EVO, EZO			
		1				EK0, EVO			
22									TUBE, Heater Core
	05143117AA	1				EZO, EVO			With [HAF]
		1				EK0, EVO			With [HAA]
23									COVER, Heater Core Tubes
	05143116AA	1				EVO, EZO			With [HAF]
		1				EK0, EVO			With [HAA]
24									O RING, Heater Core
	04885024AC	2				EVO, EZO			With [HAF]
		2				EK0, EVO			With [HAA]
25									SCREW, Heater Core Mounting
	04734364	1				EVO, EZO			

NEW JEEP (XK)

SERIES	LINE	BODY	ENGINE	TRANSMISSION
H = HIGHLINE	T = JEEP - 2WD	74 = SPORT UTILITY 4-DR	EKG = 3.7L V6 Engine	DGQ = 5-Spd Automatic 5-45RFE
P = PREMIUM	J = JEEP - 4WD		EVA = 4.7L V8 MPI Engine	Transmission
			EZB = 5.7L Hemi Multi Displacement Engine	DGJ = 5-Speed Automatic MB Transmission

AR = use ase required - = Non illustrated part

HEVAC, Unit, LHD
Figure 24-110



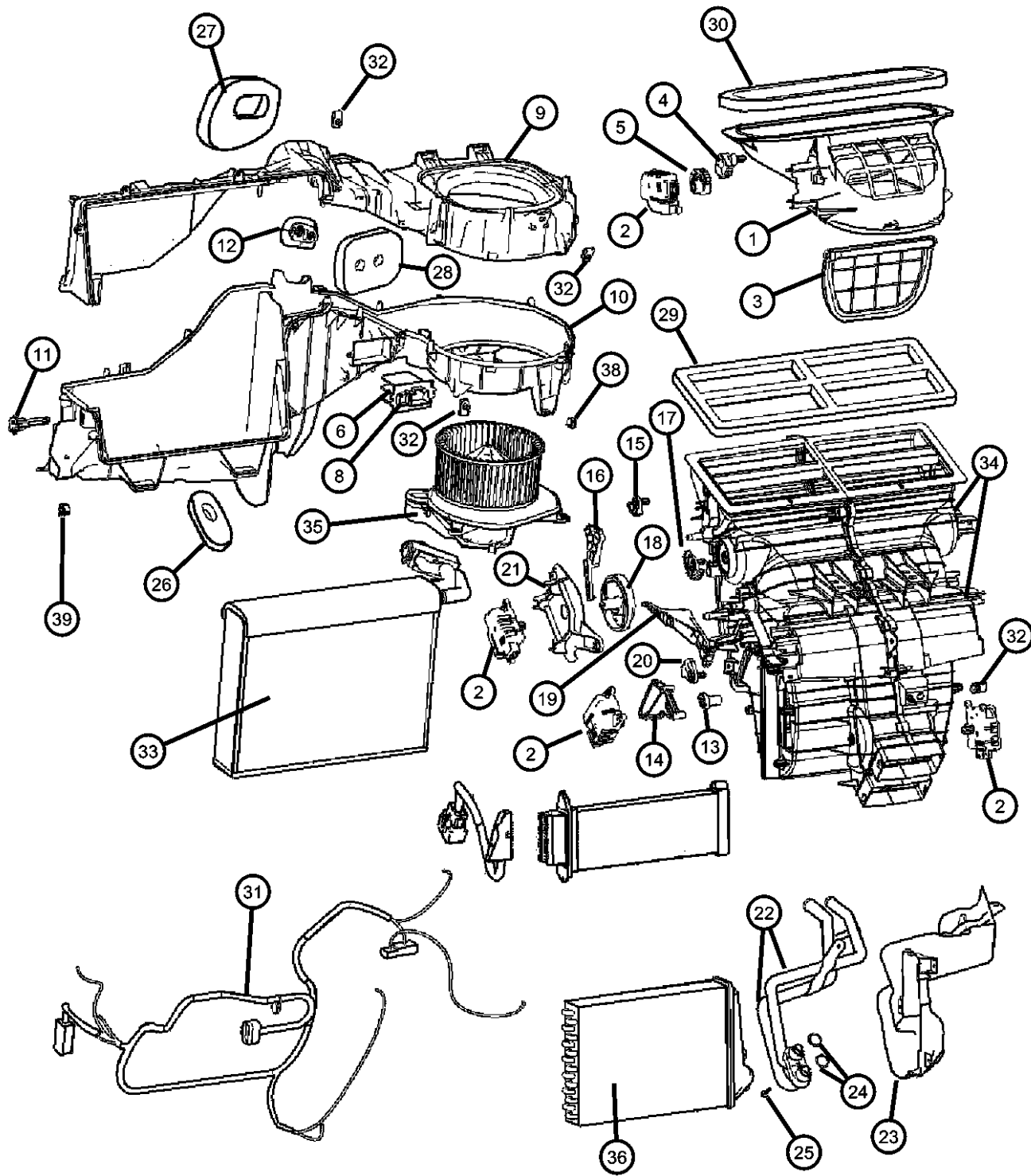
ITEM	PART NUMBER	QTY	LINE	SERIES	BODY	ENGINE	TRANS	TRIM	DESCRIPTION
		1				EK0, EVO			SEAL, Drain Tube
26	05143110AA	1				EVO, EZO			With [HAF]
		1				EK0, EVO			With [HAA]
27	05143111AA	1				EVO, EZO			SEAL, Evaporator To Dash
		1				EK0, EVO			With [HAF]
		1				EK0, EVO			With [HAA]
28	05143112AA	1				EVO, EZO			SEAL, Heater Core Tubes
		1				EK0, EVO			With [HAF]
		1				EK0, EVO			With [HAA]
29	05143113AA	1				EVO, EZO			SEAL, Distribution Duct
		1				EK0, EVO			With [HAF]
		1				EK0, EVO			With [HAA]
30	05143114AA	1				EVO, EZO			SEAL, Air Inlet
		1				EK0, EVO			With [HAF]
		1				EK0, EVO			With [HAA]
31	05143104AA	1				EK0, EVO			HARNESS
	05143106AA	1				EVO, EZO			With [HAA]
		1				EVO, EZO			With [HAF]
32	06101956	4				EVO, EZO			NUT, U, M6x1
		4				EK0, EVO			With [HAF]
		4				EK0, EVO			With [HAA]
33	05143096AA	1				EVO, EZO			EVAPORATOR, Air Conditioning
		1				EVO, EZO			With [HAF]
		1				EK0, EVO			With [HAA]
34	05143097AA	1				EK0, EVO			HOUSING, Distribution Upper
	05143550AA	1				EVO, EZO			With [HAA]
		1				EVO, EZO			With [HAF]
35	05143099AA	1				EVO, EZO			MOTOR, Blower with Wheel
		1				EVO, EZO			With [HAF]
		1				EK0, EVO			With [HAA]
36	05143101AA	1				EVO, EZO			CORE, Heater
		1				EVO, EZO			With [HAF]
		1				EK0, EVO			With [HAA]

NEW JEEP (XK)

SERIES	LINE	BODY	ENGINE	TRANSMISSION
H = HIGHLINE	T = JEEP - 2WD	74 = SPORT UTILITY 4-DR	EKG = 3.7L V6 Engine	DGQ = 5-Spd Automatic 5-45RFE
P = PREMIUM	J = JEEP - 4WD		EVA = 4.7L V8 MPI Engine	Transmission
			EZB = 5.7L Hemi Multi Displacement Engine	DGJ = 5-Speed Automatic MB Transmission

AR = use ase required - = Non illustrated part

HEVAC, Unit, LHD
Figure 24-110



ITEM	PART NUMBER	QTY	LINE	SERIES	BODY	ENGINE	TRANS	TRIM	DESCRIPTION
-37	05143544AA	1				EVO, EZO			VALVE, A/C Expansion With [HAF]
		1				EK0, EVO			With [HAA]
38	06034839	2				EVO, EZO			CLIP With [HAF]
		2				EK0, EVO			With [HAA]
39	06035859	2				EZO, EVO			CLIP, Retainer
		2				EK0, EVO			
-40	06505191AA	2							SCREW AND WASHER, Hex HeadHVAC To Dash Panel Mounting

NEW JEEP (XK)

SERIES LINE
H = HIGHLINE T = JEEP - 2WD
P = PREMIUM J = JEEP - 4WD

BODY
74 = SPORT UTILITY 4-DR

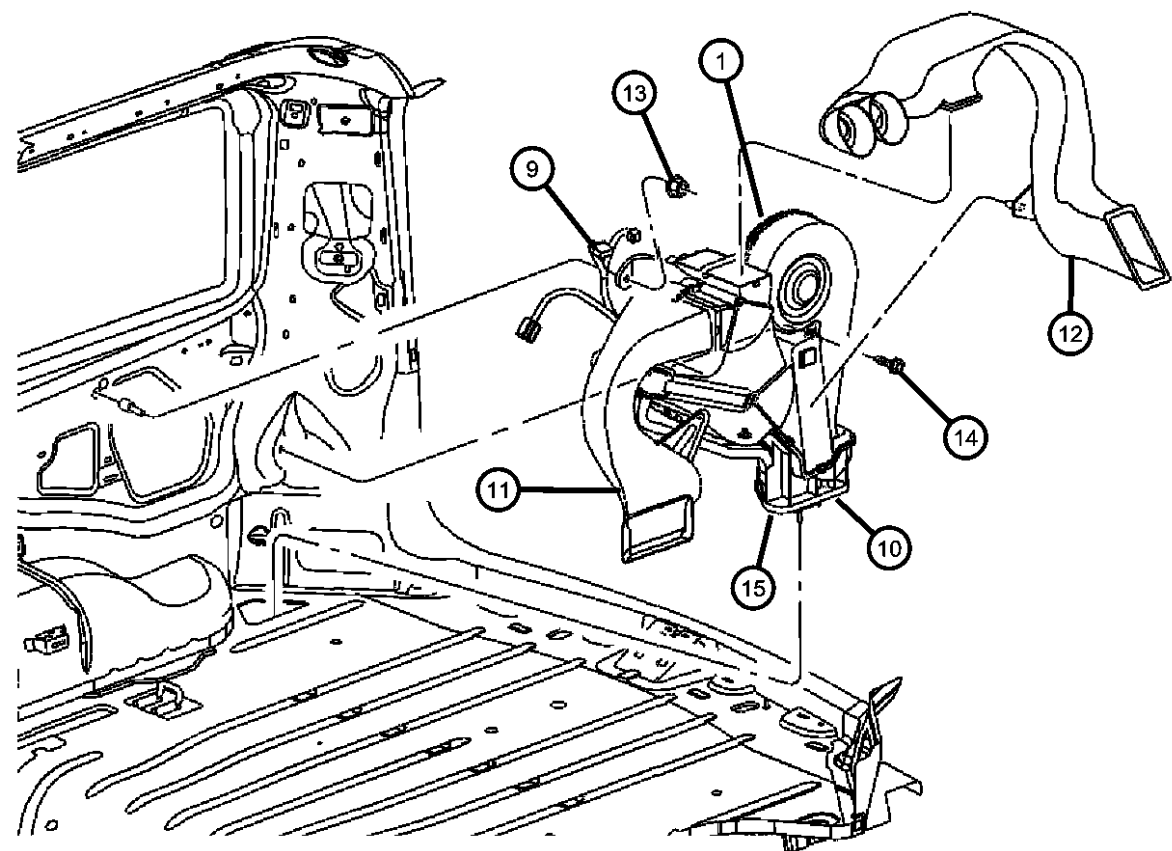
ENGINE
EKG = 3.7L V6 Engine
EVA = 4.7L V8 MPI Engine
EZB = 5.7L Hemi Multi
Displacement Engine

TRANSMISSION
DGQ = 5-Spd Automatic 5-45RFE
Transmission
DGJ = 5-Speed Automatic MB
Transmission

AR = use ase required - = Non illustrated part

2006 XK

**Aux. Air Conditioning and Heater
Figure 24-120**



ITEM	PART NUMBER	QTY	LINE	SERIES	BODY	ENGINE	TRANS	TRIM	DESCRIPTION
1	05183156AA	1							HOUSING, Rear A/C
-2	05183220AA	1							EVAPORATOR, Air Conditioning
-3	05183148AA	1							CORE, Heater
-4	05183155AA	1							TUBE, Heater Core
-5	05183147AA	1							MOTOR, Blower with Wheel
-6	05183153AA	1							RESISTOR, Blower Motor
-7	05183151AA	1							DOOR, Temp
-8	05183152AA	2							ACTUATOR
9	05183158AA	1							WIRING, A/C and HEATER
10	05183157AA	1							SEAL, Lower
11	05189089AA	1							DUCT, Floor
12	55037742AD	1							DUCT, Rear Floor Heat
13	06104725AA	1							NUT AND WASHER, M6x1
14	06104725AA	1							SCREW, M6x1x30, (NOT SERVICED)
15	05189088AA	1							VALVE KIT, Expansion

NEW JEEP (XK)

SERIES LINE
H = HIGHLINE T = JEEP - 2WD
P = PREMIUM J = JEEP - 4WD

BODY
74 = SPORT UTILITY 4-DR

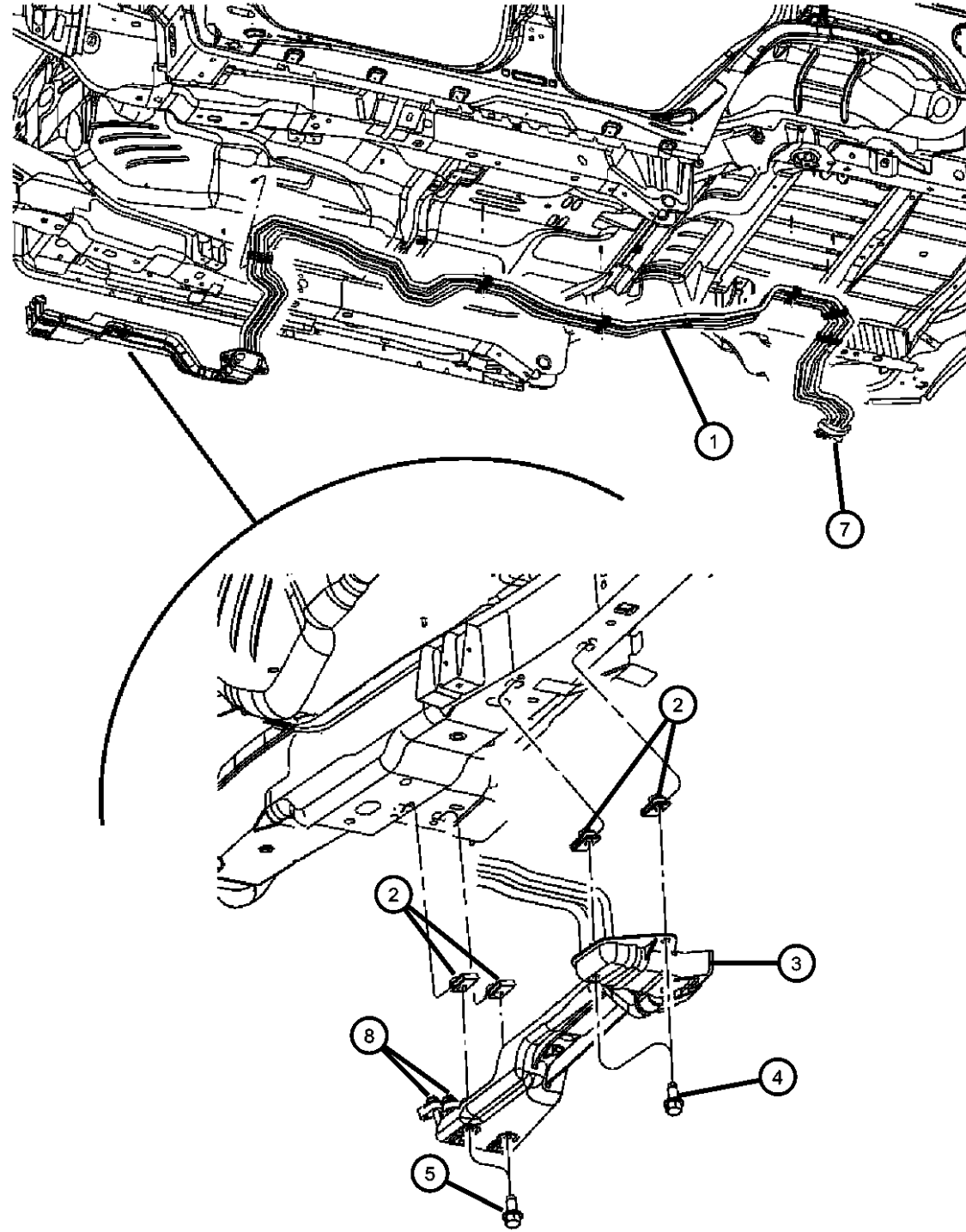
ENGINE
EKG = 3.7L V6 Engine
EVA = 4.7L V8 MPI Engine
EZB = 5.7L Hemi Multi Displacement Engine

TRANSMISSION
DGQ = 5-Spd Automatic 5-45RFE Transmission
DGJ = 5-Speed Automatic MB Transmission

AR = use ase required - = Non illustrated part

2006 XK

**Underbody A/C & Heater Lines
Figure 24-205**



ITEM	PART NUMBER	QTY	LINE	SERIES	BODY	ENGINE	TRANS	TRIM	DESCRIPTION
1	55116961AD	1							LINE, A/C & Heater Underbody
2	06503195	4							NUT
3	52124197AB	1							SKID PLATE, Auxiliary A/C & Heater Underbody
4	06102213AA	2							SCREW AND WASHER, Hex Head, M8x1.25x35
5	06507733AA	2							SCREW
-6	06101447	1							NUT AND WASHER, M6x1.00, Lines to Rear Hvac Unit
7									WASHER, Sealing
	05161785AA	1							Suction Line
	05161788AA	1							Liquid Line
8									O RING, A/C Line
	05183331AA	1	J, T		74				Suction Line
	05183332AA	1	J, T		74				Liquid Line

NEW JEEP (XK)

SERIES LINE
H = HIGHLINE T = JEEP - 2WD
P = PREMIUM J = JEEP - 4WD

BODY
74 = SPORT UTILITY 4-DR

ENGINE
EKG = 3.7L V6 Engine
EVA = 4.7L V8 MPI Engine
EZB = 5.7L Hemi Multi Displacement Engine

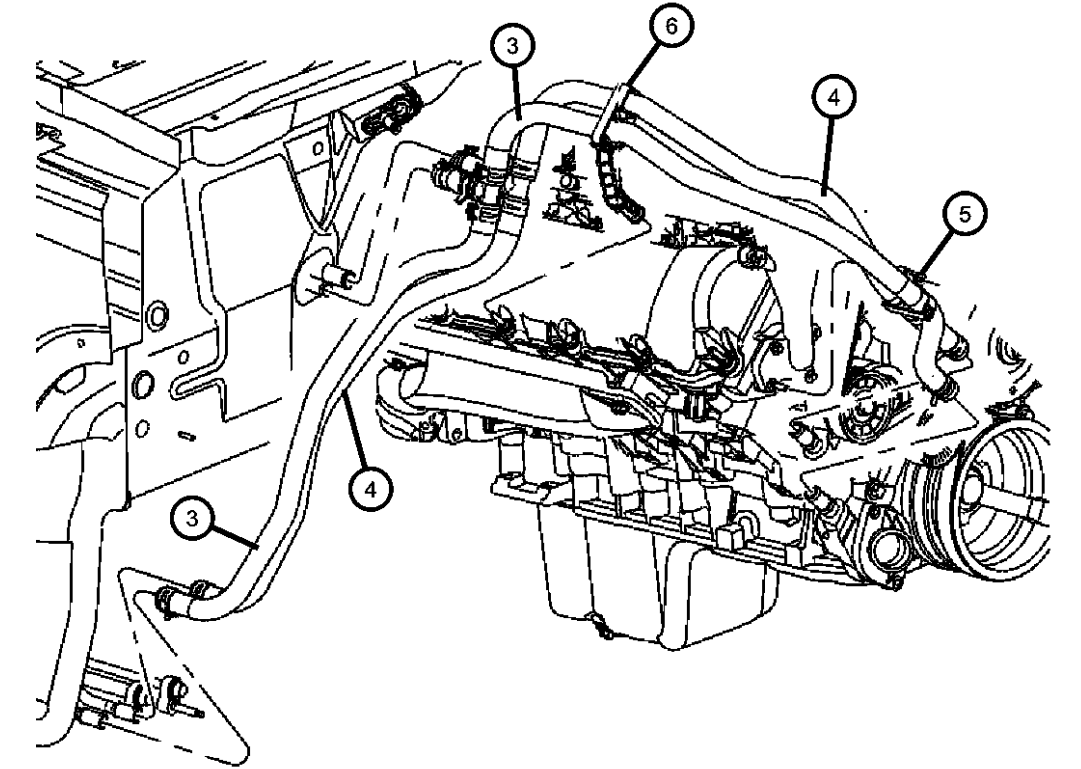
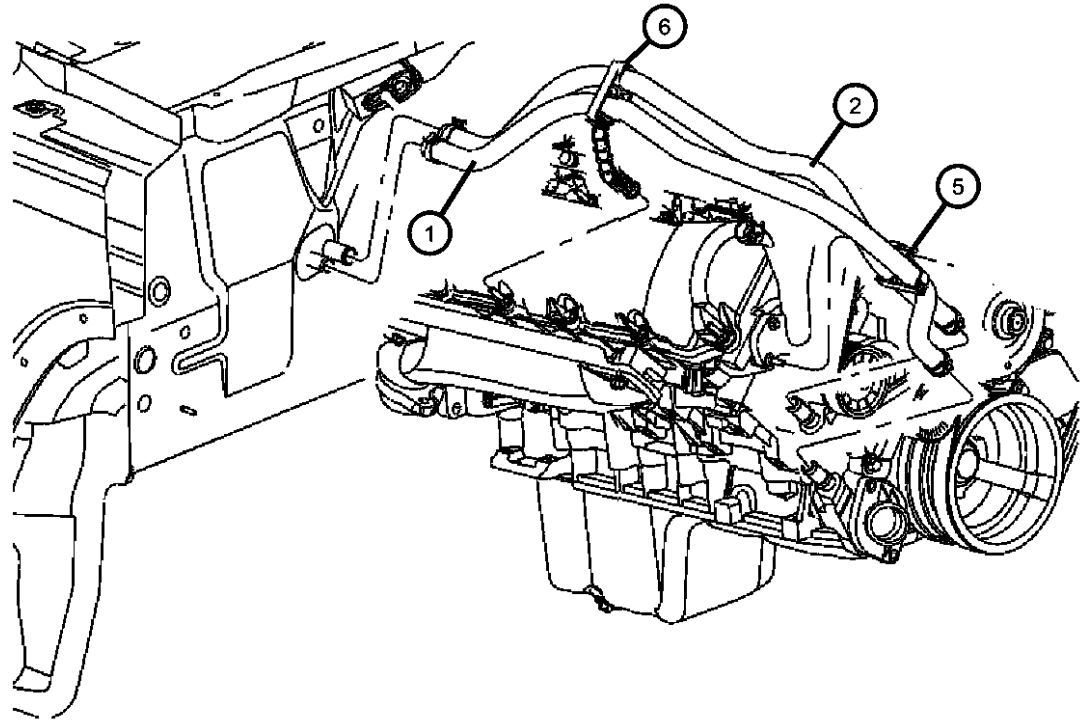
TRANSMISSION
DGQ = 5-Spd Automatic 5-45RFE Transmission
DGJ = 5-Speed Automatic MB Transmission

AR = use ase required - = Non illustrated part

Hoses, Heater 3.7L, 4.7L Engine
Figure 24-210

ITEM	PART NUMBER	QTY	LINE	SERIES	BODY	ENGINE	TRANS	TRIM	DESCRIPTION
------	-------------	-----	------	--------	------	--------	-------	------	-------------

Sales Codes:
 [EK0] = [3.7L] Gas Engine
 [EV0] = [4.7L] Gas Engine
 [HB8] = No Rear Air Conditioning or Heater
 [HBB] = Rear Air Conditioning With Heater



1	68000967AA	1	J, T		74	EV0			HOSE, Heater Return [HB8]
	68000971AA	1	J, T		74	EK0			[HB8]
2	68000968AA	1	J, T		74	EV0			HOSE, Heater Supply [HB8]
	68000972AA	1	J, T		74	EK0			[HB8]
3	68000973AA	1	J, T		74	EK0			HOSE, Heater Return [HBB]
	68001159AA	1				EV0			[HBB]
4	68000974AA	1	J, T		74	EK0			HOSE, Heater Supply [HBB]
	68001160AA	1				EV0			[HBB]
5	68000970AA	1	J, T		74	EK0			CLIP, Heater Hose
		1	J, T		74	EV0			
6		1							CLIP, No Longer Used, (NOT SERVICED)

NEW JEEP (XK)

SERIES	LINE	BODY	ENGINE	TRANSMISSION
H = HIGHLINE	T = JEEP - 2WD	74 = SPORT UTILITY 4-DR	EKG = 3.7L V6 Engine	DGQ = 5-Spd Automatic 5-45RFE Transmission
P = PREMIUM	J = JEEP - 4WD		EVA = 4.7L V8 MPI Engine	DGJ = 5-Speed Automatic MB Transmission
			EZB = 5.7L Hemi Multi Displacement Engine	

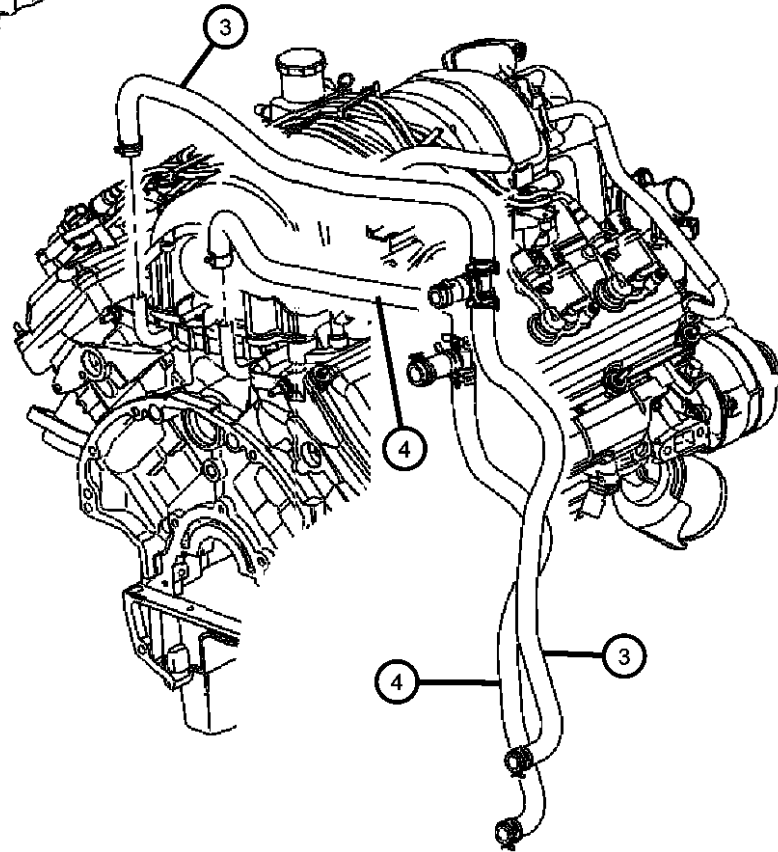
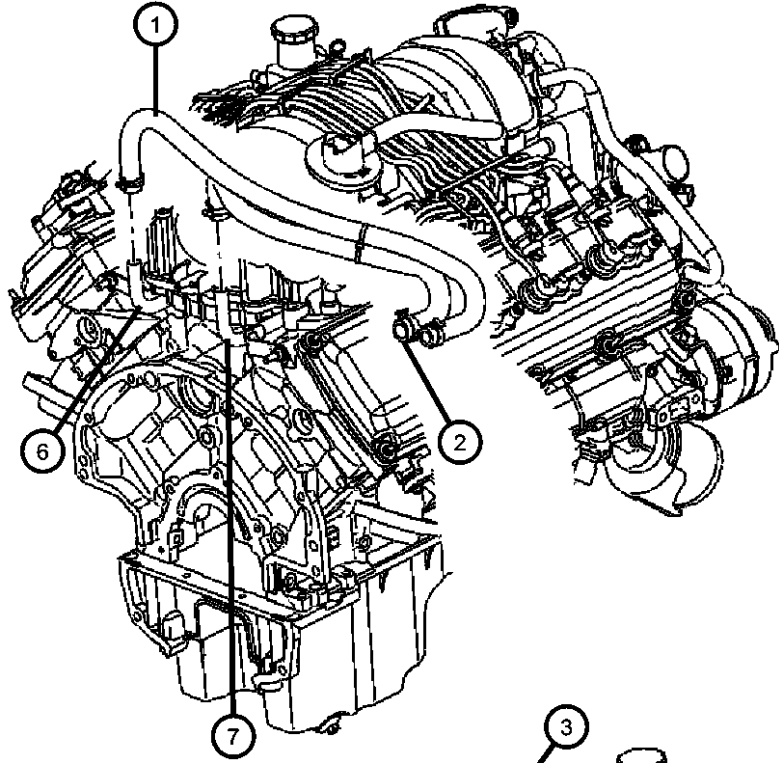
AR = use ase required - = Non illustrated part

Hoses, Heater 5.7L Engine
Figure 24-215

ITEM	PART NUMBER	QTY	LINE	SERIES	BODY	ENGINE	TRANS	TRIM	DESCRIPTION
------	-------------	-----	------	--------	------	--------	-------	------	-------------

Sales Codes:
[EZ0] = [5.7L] Gas Engine
[HB8] = No Rear Air Conditioning or Heater
[HBB] = Rear Air Conditioning With Heater

1	68000978AA	1	J, T		74	EZ0			HOSE, Heater Return, [HB8]
2	68000979AA	1	J, T		74	EZ0			HOSE, Heater Supply, [HB8]
3	68000976AA	1	J, T		74	EZ0			HOSE, Heater Return, [HBB]
4	68000977AA	1	J, T		74	EZ0			HOSE, Heater Supply, [HBB]
-5	52110080AA	1				EZ0			CLIP, Heater Hose, [HBB]
6	04892345AD	1				EZ0			TUBE, Coolant inlet
7	04892346AD	1				EZ0			TUBE, Coolant outlet
-8	53013736AA	2				EZ0			O RING, Heater Line



NEW JEEP (XK)

SERIES LINE
H = HIGHLINE T = JEEP - 2WD
P = PREMIUM J = JEEP - 4WD

BODY
74 = SPORT UTILITY 4-DR

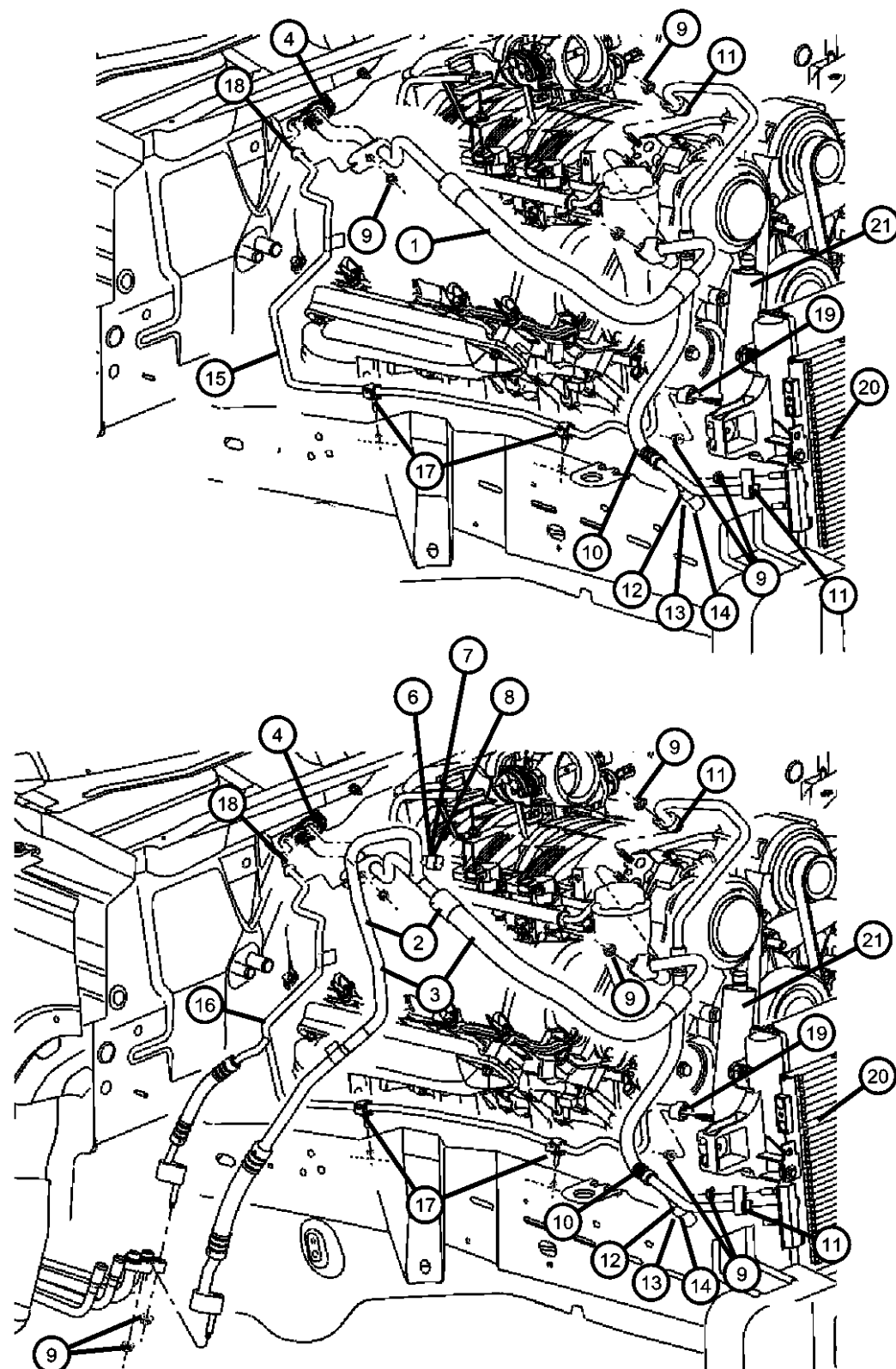
ENGINE
EKG = 3.7L V6 Engine
EVA = 4.7L V8 MPI Engine
EZB = 5.7L Hemi Multi Displacement Engine

TRANSMISSION
DGQ = 5-Spd Automatic 5-45RFE Transmission
DGJ = 5-Speed Automatic MB Transmission

AR = use ase required - = Non illustrated part

2006 XK

Plumbing, Air Conditioning 3.7, 4.7L Engine
Figure 24-220



ITEM	PART NUMBER	QTY	LINE	SERIES	BODY	ENGINE	TRANS	TRIM	DESCRIPTION
Sales Codes [HB8] = No Rear A/C or Heater [HBB] = Rear A/C and Heater									
1									LINE, A/C Suction
	55116665AE	1				EK0			With [HB8]
	55116667AD	1				EVO			With [HB8]
2	55037861AB	1				EVO			LINE, Auxiliary A/C Suction, With [HBB]
3	55116947AC	1				EK0			LINE, A/C Suction, With [HBB]
4									WASHER, Sealing
	05183333AA	1				EVO			
		1				EK0			
-5									WASHER, Sealing, At Compressor
	05161785AA	1				EK0			
		1				EVO			
6									VALVE, A/C Discharge Line Check, Valve Core
	05003862AA	1				EVO			
		1				EK0			
7									VALVE, A/C pressure Transducer
	05174039AB	1				EVO			
		1				EK0			
8									O RING, A/C Line
	05183305AA	1				EVO			
		1				EK0			
9	06101445	1							NUT AND WASHER, Hex Nut-Coned Washer, M8 x 1.25
10									LINE, A/C Discharge
	55116663AC	1				EVO			
	55116664AE	1				EK0			
11	05183303AA	2				EVO			WASHER, Sealing
12									VALVE, A/C Discharge Line Check, Valve Core
	05003862AA	1				EVO			
		1				EK0			
13									O RING, A/C Line
	05183305AA	1				EVO			
		1				EK0			

NEW JEEP (XK)

SERIES LINE
H = HIGHLINE T = JEEP - 2WD
P = PREMIUM J = JEEP - 4WD

BODY
74 = SPORT UTILITY 4-DR

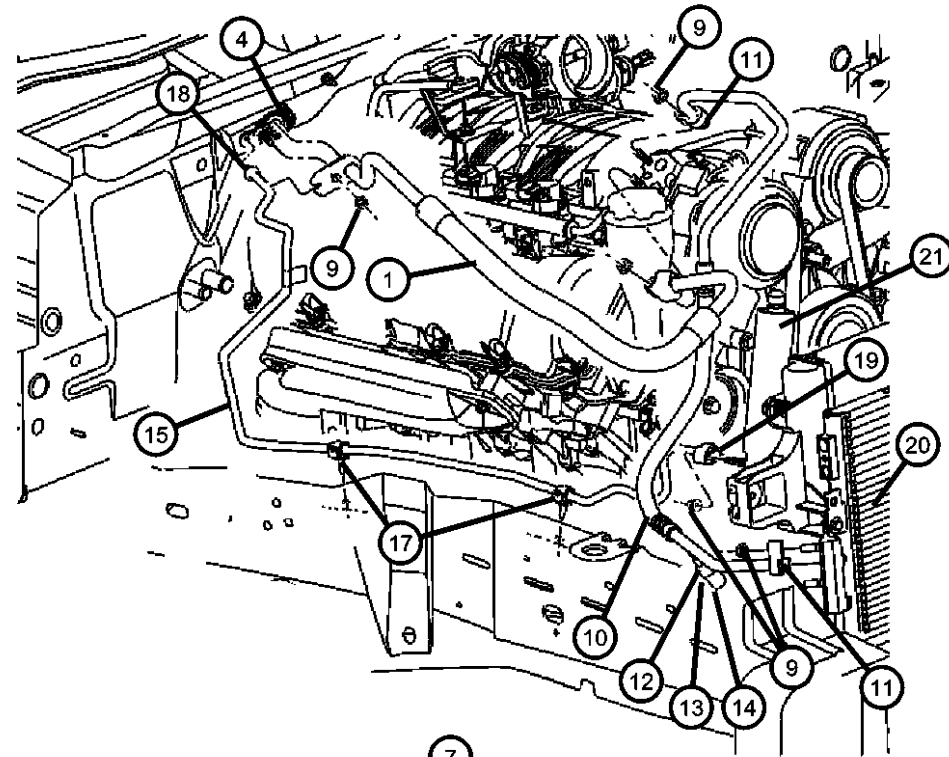
ENGINE
EKG = 3.7L V6 Engine
EVA = 4.7L V8 MPI Engine
EZB = 5.7L Hemi Multi Displacement Engine

TRANSMISSION
DGQ = 5-Spd Automatic 5-45RFE Transmission
DGJ = 5-Speed Automatic MB Transmission

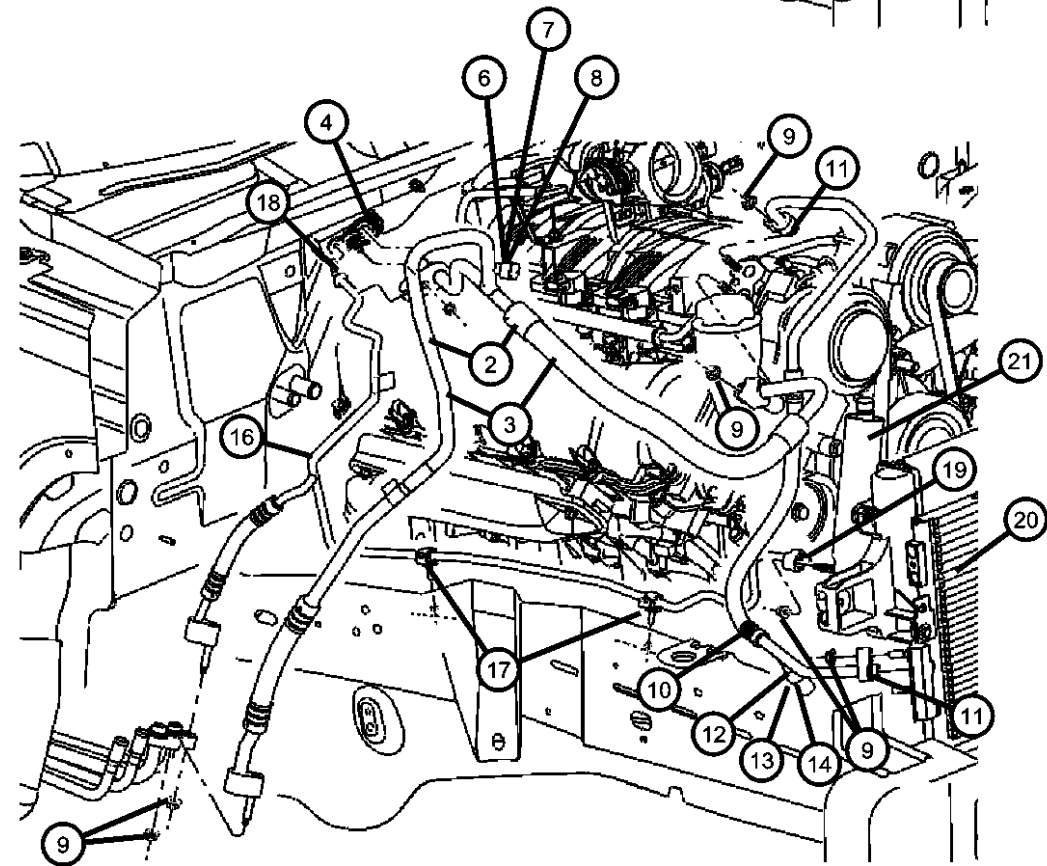
AR = use ase required - = Non illustrated part

2006 XK

Plumbing, Air Conditioning 3.7, 4.7L Engine
Figure 24-220



ITEM	PART NUMBER	QTY	LINE	SERIES	BODY	ENGINE	TRANS	TRIM	DESCRIPTION
14	05174039AB	1				EVO			VALVE, A/C pressure Transducer
		1				EK0			
15	55116909AD	1							LINE, A/C Liquid, With [HB8]
16	55037860AC	1							LINE, Auxiliary A/C Liquid, With [HBB]
17	04861553AC	2							PIN, Push
18	05161788AA	1				EK0, EVO			WASHER, Sealing
19	05161788AA	1							WASHER, Sealing
20	55116928AA	1				EK0, EVO			CONDENSER, Condenser and TOC
21	05166426AA	1				EK0, EVO			RECEIVER DRIER



NEW JEEP (XK)

SERIES LINE
H = HIGHLINE T = JEEP - 2WD
P = PREMIUM J = JEEP - 4WD

BODY
74 = SPORT UTILITY 4-DR

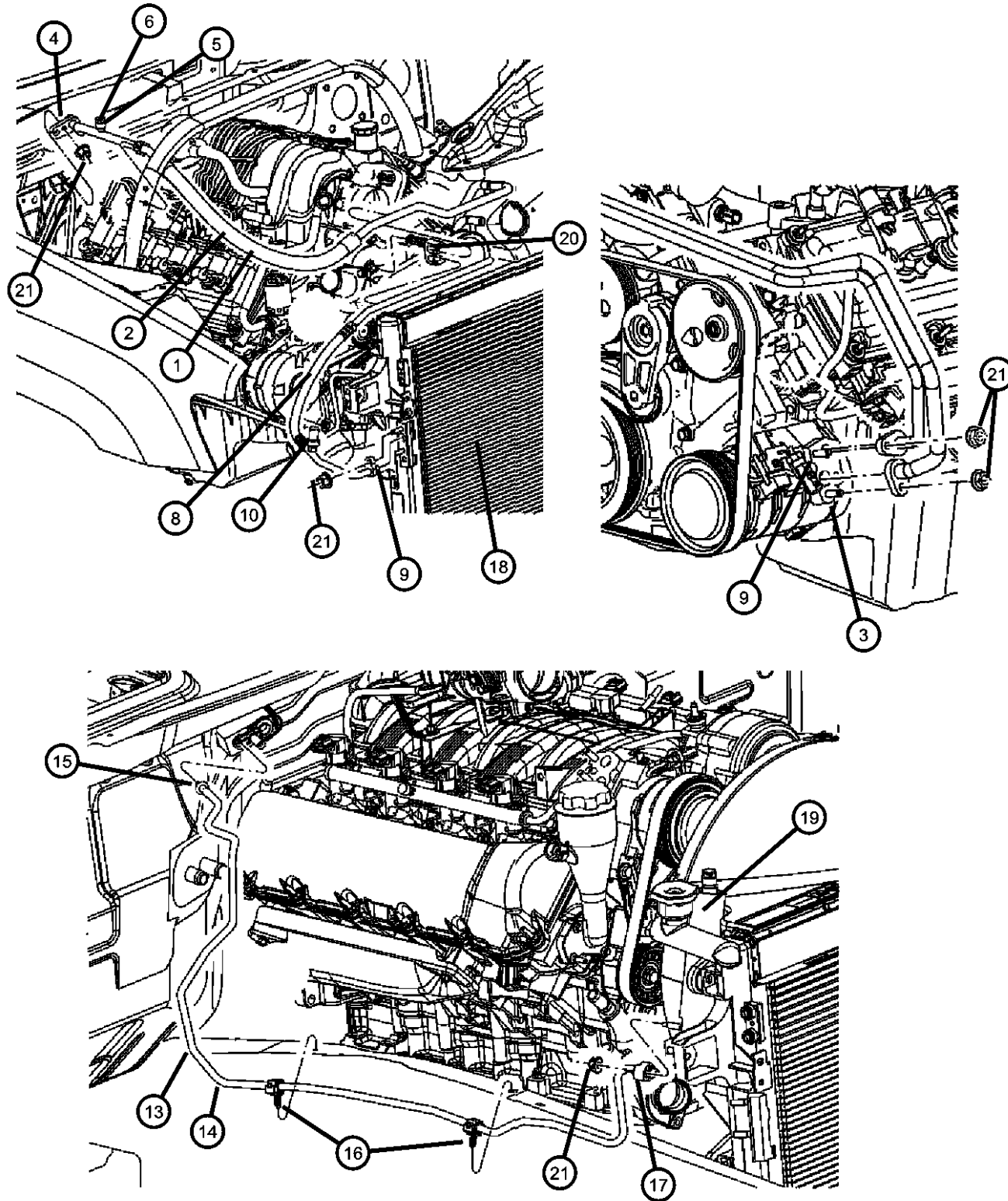
ENGINE
EKG = 3.7L V6 Engine
EVA = 4.7L V8 MPI Engine
EZB = 5.7L Hemi Multi Displacement Engine

TRANSMISSION
DGQ = 5-Spd Automatic 5-45RFE Transmission
DGJ = 5-Speed Automatic MB Transmission

AR = use ase required - = Non illustrated part

2006 XK

**Plumbing, Air Conditioning 5.7L Engine
Figure 24-225**



ITEM	PART NUMBER	QTY	LINE	SERIES	BODY	ENGINE	TRANS	TRIM	DESCRIPTION
Sales Codes: [EZ0] = [5.7L] Gas Engine									
1	55116718AF	1	J, T		74	EZ0			LINE, A/C Suction, [HB8]
2	55037862AC	1	J, T		74	EZ0			LINE, Auxiliary A/C Suction, With [HBB]
3	05161785AA	1				EZ0			WASHER, Sealing
4	05183333AA	1				EZ0			WASHER, Sealing
5	05003862AA	1				EZ0			VALVE, A/C Discharge Line Check, Valve Core
6	05161786AA	1				EZ0			CAP, A/C Check Valve
-7	05183305AA	1				EZ0			O RING, A/C Line
8									LINE, A/C Discharge
	52129258AC	1				EZ0			With [HBB]
	55116712AD	1				EZ0			With [HB8]
9	05183303AA	1				EZ0			WASHER, Sealing
10	05174039AB	1				EZ0			VALVE, A/C pressure Transducer
-11	05003862AA	1				EZ0			VALVE, A/C Discharge Line Check, Valve Core
-12	05183305AA	1				EZ0			O RING, A/C Line
13	55116909AD	1							LINE, A/C Liquid, With [HB8]
14	55037860AC	1							LINE, Auxiliary A/C Liquid, With [HBB]
15	05161787AA	1							WASHER, Sealing
16	04861553AC	2							PIN, Push
17	05161788AA	1							WASHER, Sealing
18	55116928AA	1				EZ0			CONDENSER, Condenser and TOC
19	55116723AC	1				EZ0			DRIER, Receiver
20	55037740AB	1				EZ0			BRACKET, A/C Line
21	06101445	1							NUT AND WASHER, Hex Nut-Coned Washer, M8 x 1.25

NEW JEEP (XK)

SERIES	LINE	BODY	ENGINE	TRANSMISSION
H = HIGHLINE	T = JEEP - 2WD	74 = SPORT UTILITY 4-DR	EKG = 3.7L V6 Engine	DGQ = 5-Spd Automatic 5-45RFE
P = PREMIUM	J = JEEP - 4WD		EVA = 4.7L V8 MPI Engine	Transmission
			EZB = 5.7L Hemi Multi Displacement Engine	DGJ = 5-Speed Automatic MB Transmission

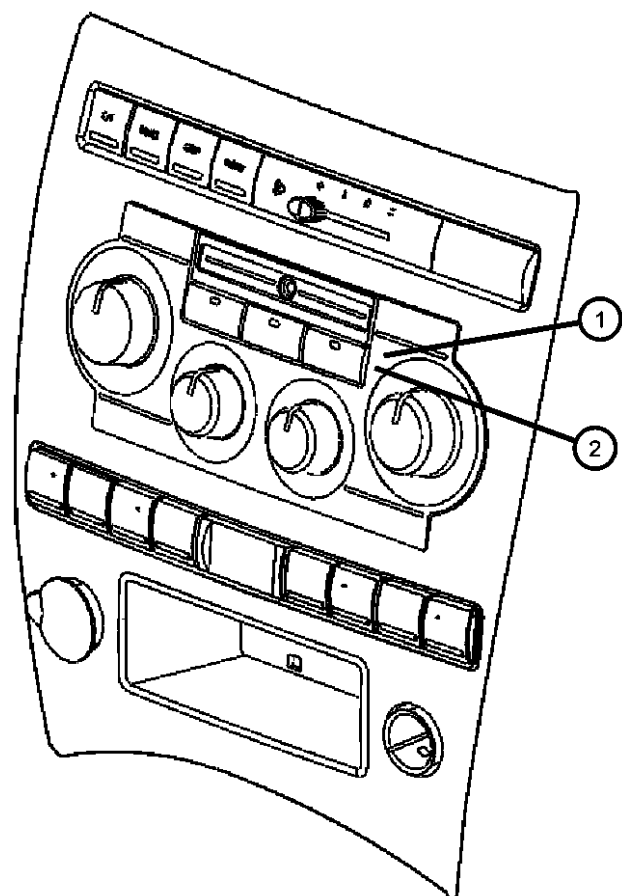
AR = use ase required - = Non illustrated part

**Control, Heater and Air Conditioner
Figure 24-310**

ITEM	PART NUMBER	QTY	LINE	SERIES	BODY	ENGINE	TRANS	TRIM	DESCRIPTION
------	-------------	-----	------	--------	------	--------	-------	------	-------------

Sales Code :
 [HAA] = Air Conditioning
 [HAF] = Auto Temp Control
 [HBB] = Rear Air Conditioning

1									CONTROL, Auto Temp Control [HAF] , Fahrenheit
	55111010AD	1							[HAF] , Celsius
	55111011AD	1							
2	55111009AF	1							CONTROL, A/C And Heater, [HAA]
-3	55116949AB	1							CONTROL, A/C and Heater - Aux, [HBB], Rear



NEW JEEP (XK)

SERIES LINE
 H = HIGHLINE T = JEEP - 2WD
 P = PREMIUM J = JEEP - 4WD

BODY
 74 = SPORT UTILITY 4-DR

ENGINE
 EKG = 3.7L V6 Engine
 EVA = 4.7L V8 MPI Engine
 EZB = 5.7L Hemi Multi
 Displacement Engine

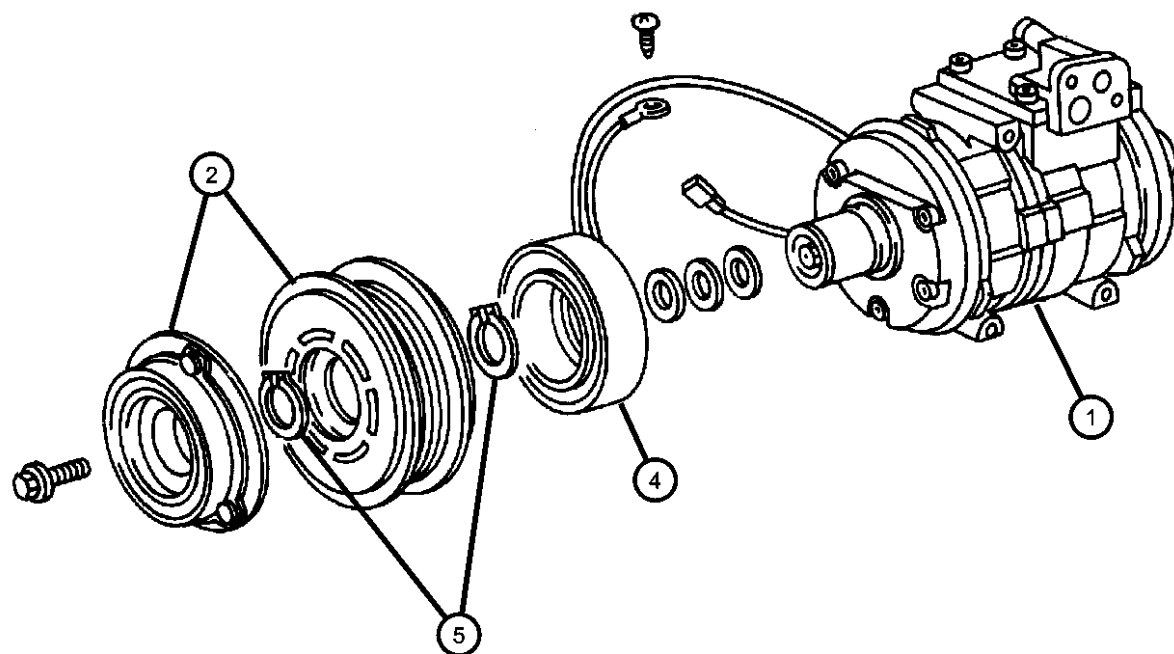
TRANSMISSION
 DGQ = 5-Spd Automatic 5-45RFE
 Transmission
 DGJ = 5-Speed Automatic MB
 Transmission

AR = use ase required - = Non illustrated part

2006 XK

**Compressor, Air Conditioning 3.7L, 4.7L Engine
Figure 24-410**

ITEM	PART NUMBER	QTY	LINE	SERIES	BODY	ENGINE	TRANS	TRIM	DESCRIPTION
Sales Codes: [EK0] = All 3.7L Engines [EV0] = All 4.7L Engines									
1									COMPRESSOR, Air Conditioning
	55111413AA	1				EK0, EV0			[HBB]
	55116834AC	1				EK0, EV0			[HB8]
2	05161810AA	1				EK0, EV0			PULLEY HUB KIT, A/C Compressor, [HB8]
-3	05066225AA	1				EK0, EV0			CLUTCH OVERHAUL KIT, A/C Compressor
4									COIL, Air Conditioning Clutch
	05003681AA	1				EK0, EV0			[HB8]
	05072863AA	1				EK0, EV0			[HBB]
5	05264454	1				EK0, EV0			SNAP RING KIT, A/C Clutch
-6	05183901AA	1				EK0, EV0			SNAP RING, A/C Compressor, Rotor
-7	05183900AA	1				EK0, EV0			SNAP RING, A/C Compressor, Stator
-8	53031709AA	1				EK0, EV0			BRACE, A/C Compressor
-9	82300102	1				EK0, EV0			LUBRICANT, A/C Compressor



NEW JEEP (XK)

SERIES LINE
H = HIGHLINE T = JEEP - 2WD
P = PREMIUM J = JEEP - 4WD

BODY
74 = SPORT UTILITY 4-DR

ENGINE
EKG = 3.7L V6 Engine
EVA = 4.7L V8 MPI Engine
EZB = 5.7L Hemi Multi
Displacement Engine

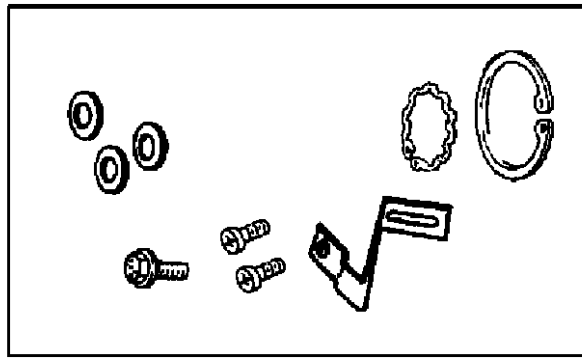
TRANSMISSION
DGQ = 5-Spd Automatic 5-45RFE
Transmission
DGJ = 5-Speed Automatic MB
Transmission

AR = use ase required - = Non illustrated part

2006 XK

**Compressor, Air Conditioning 5.7L Engine
Figure 24-420**

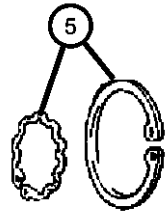
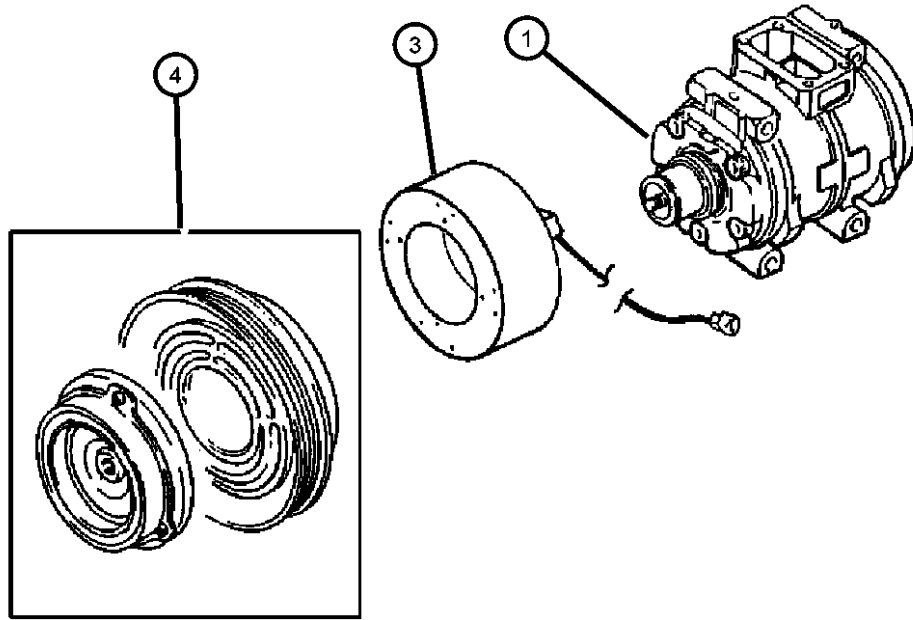
ITEM	PART NUMBER	QTY	LINE	SERIES	BODY	ENGINE	TRANS	TRIM	DESCRIPTION
------	-------------	-----	------	--------	------	--------	-------	------	-------------



2

Sales Code:
[EZ0] = All 5.7L Engines

1	55111414AA	1				EZ0			COMPRESSOR, Air Conditioning, Complete
2	05140428AA	1				EZ0			CLUTCH OVERHAUL KIT, A/C Compressor
3	05072863AA	1				EZ0			COIL, Air Conditioning Clutch
4	05140426AA	1				EZ0			PULLEY HUB KIT, A/C Compressor
5	05264454	1				EZ0			SNAP RING KIT, A/C Clutch



NEW JEEP (XK)

SERIES LINE
H = HIGHLINE T = JEEP - 2WD
P = PREMIUM J = JEEP - 4WD

BODY
74 = SPORT UTILITY 4-DR

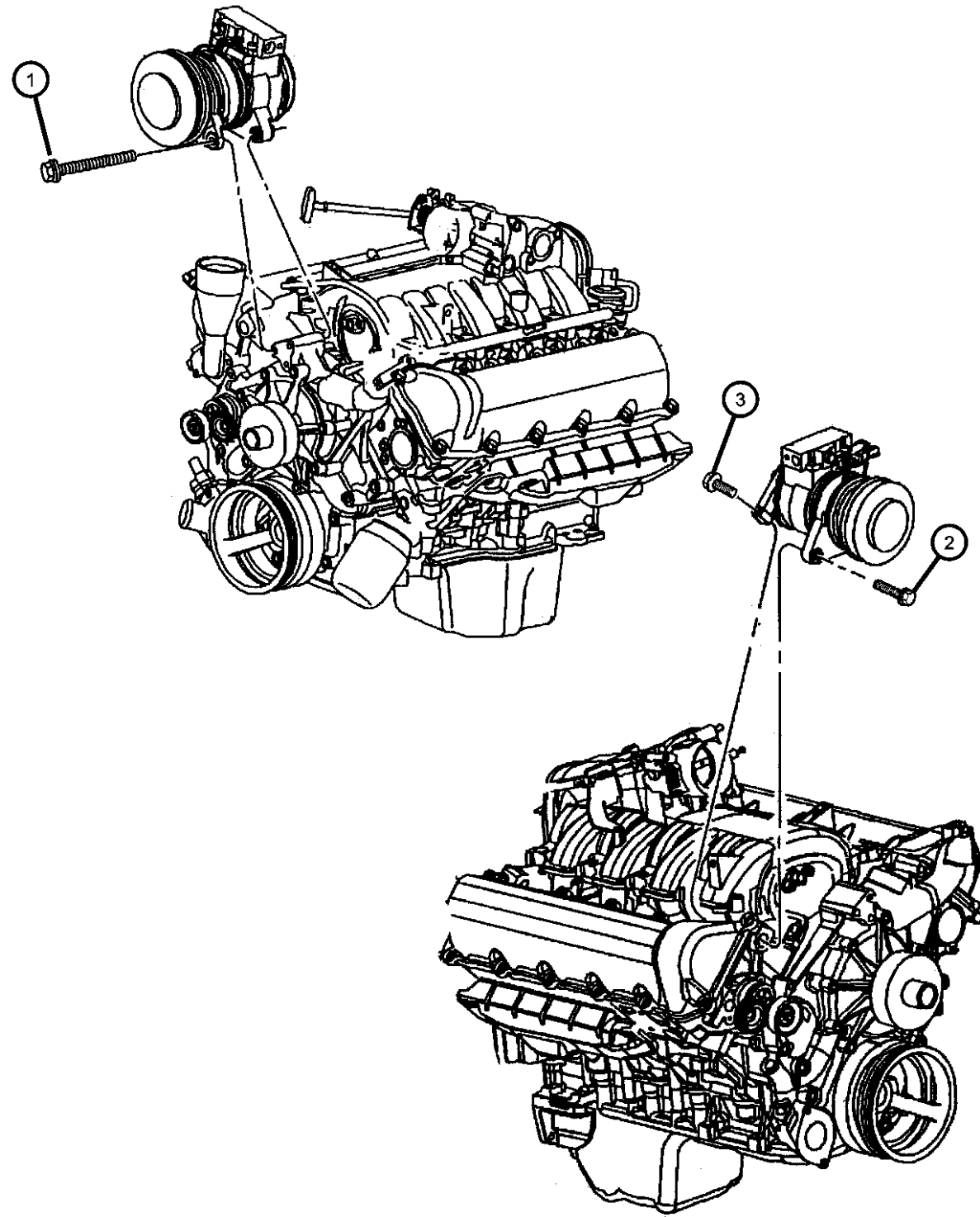
ENGINE
EKG = 3.7L V6 Engine
EVA = 4.7L V8 MPI Engine
EZB = 5.7L Hemi Multi Displacement Engine

TRANSMISSION
DGQ = 5-Spd Automatic 5-45RFE Transmission
DGJ = 5-Speed Automatic MB Transmission

AR = use ase required - = Non illustrated part

2006 XK

**Compressor, Mounting 3.7L, 4.7L Engine
Figure 24-510**



ITEM	PART NUMBER	QTY	LINE	SERIES	BODY	ENGINE	TRANS	TRIM	DESCRIPTION
Sales Codes: [EK0] = All 3.7L Gas Engines [EV0] = All 4.7L Gas Engines									
1	06504344	1				EK0, EV0			SCREW AND WASHER, Hex Head
2	06505487AA	1				EK0, EV0			SCREW AND WASHER, M10x1.5x45
3									SCREW AND WASHER, Hex Head, M8x1.25x50
	06505482AA	1				EV0			
		1				EK0			
-4	06101794	1				EK0, EV0			SCREW, Hex Head, M10x1.5x115, A/C Brace To Front Cover
-5	53031709AA	1				EK0, EV0			BRACE, A/C Compressor

NEW JEEP (XK)				
SERIES	LINE	BODY	ENGINE	TRANSMISSION
H = HIGHLINE	T = JEEP - 2WD	74 = SPORT UTILITY 4-DR	EKG = 3.7L V6 Engine	DGQ = 5-Spd Automatic 5-45RFE
P = PREMIUM	J = JEEP - 4WD		EVA = 4.7L V8 MPI Engine	Transmission
			EZB = 5.7L Hemi Multi Displacement Engine	DGJ = 5-Speed Automatic MB Transmission

AR = use ase required - = Non illustrated part

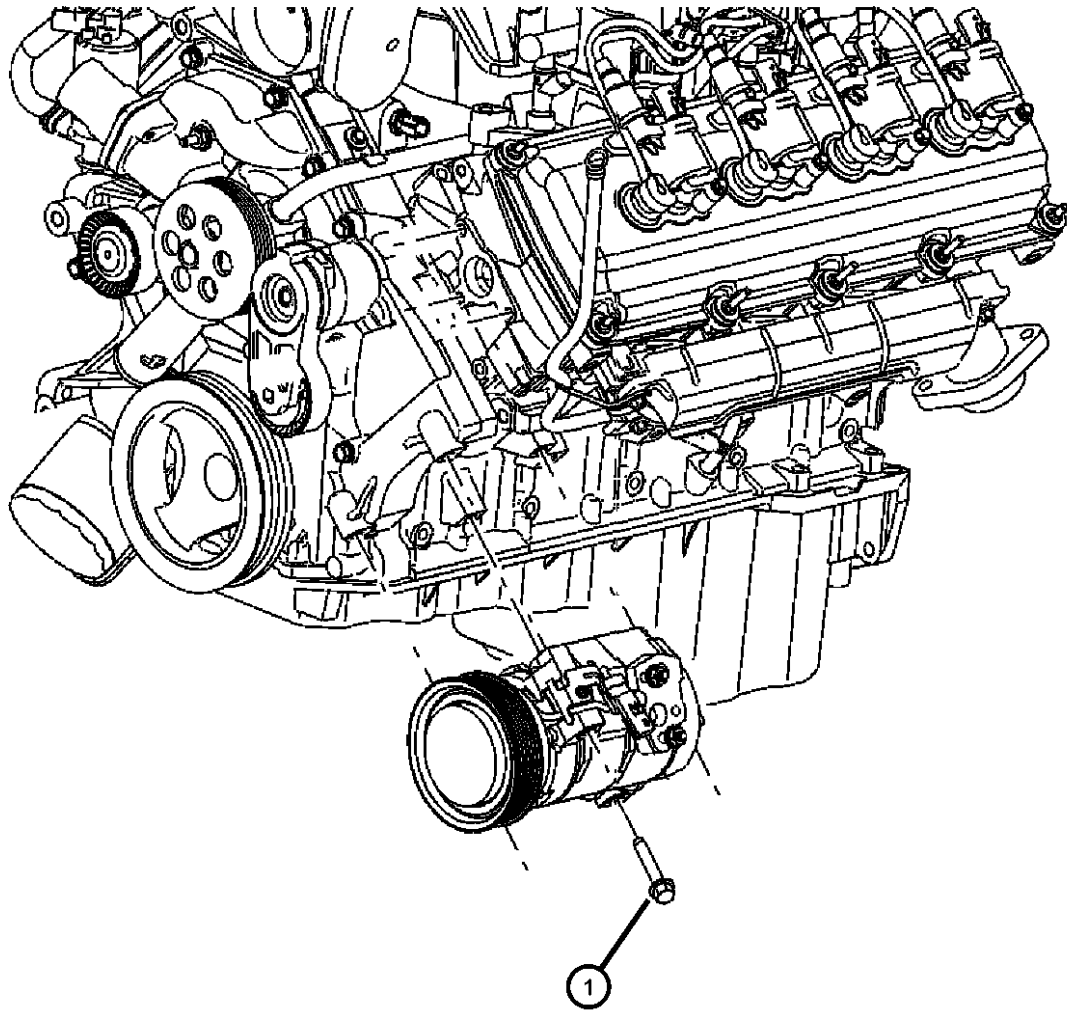
Compressor, Mounting 5.7L Engine
Figure 24-520

ITEM	PART NUMBER	QTY	LINE	SERIES	BODY	ENGINE	TRANS	TRIM	DESCRIPTION
------	-------------	-----	------	--------	------	--------	-------	------	-------------

Sales Codes:

[EZ0] = All 5.7L Gas Engines

1	06101639	4				EZ0			SCREW AND WASHER, Hex Head, M10x1.5x100
---	----------	---	--	--	--	-----	--	--	-----------------------------------------



NEW JEEP (XK)

SERIES	LINE
H = HIGHLINE	T = JEEP - 2WD
P = PREMIUM	J = JEEP - 4WD

BODY
74 = SPORT UTILITY 4-DR

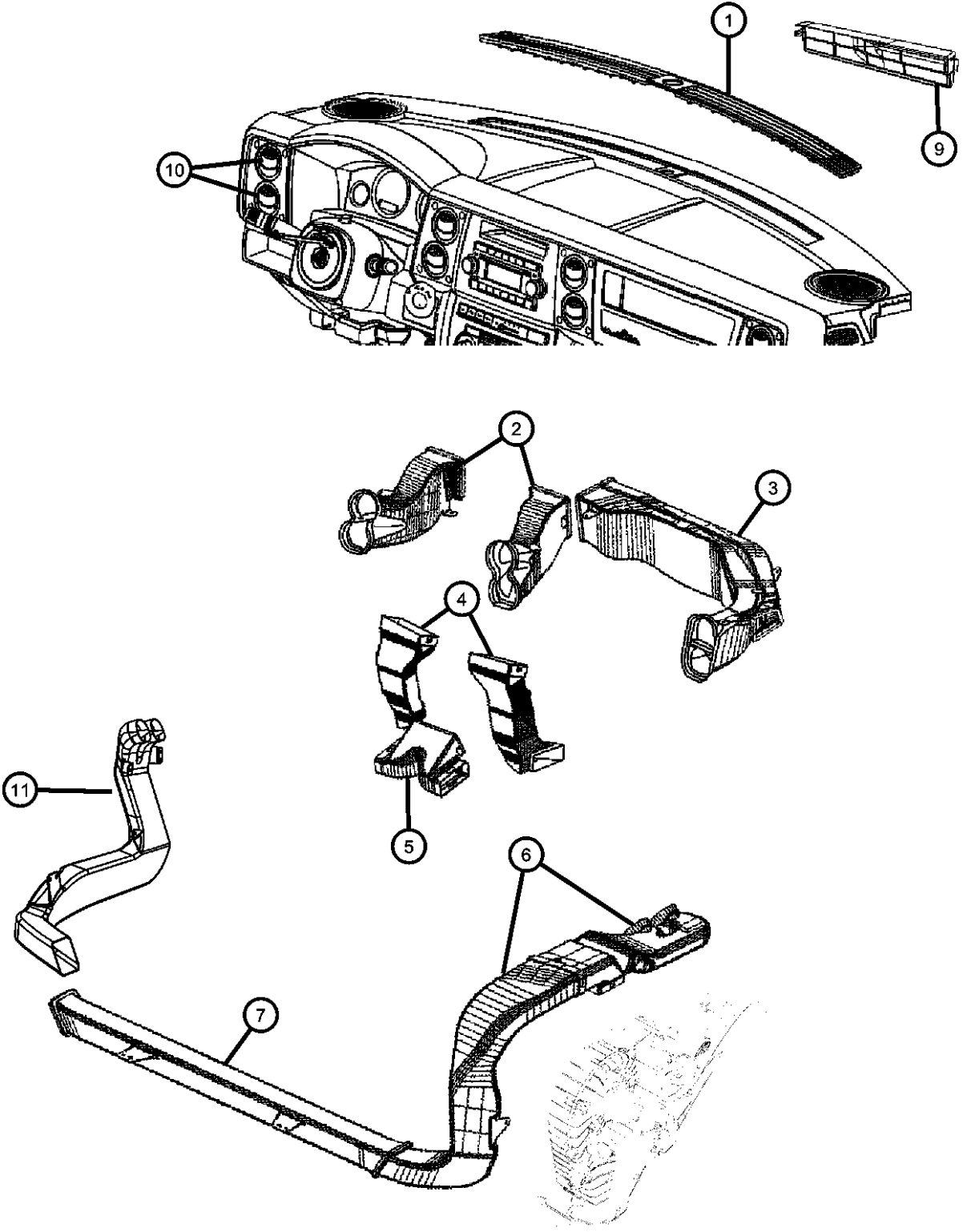
ENGINE
EKG = 3.7L V6 Engine
EVA = 4.7L V8 MPI Engine
EZB = 5.7L Hemi Multi Displacement Engine

TRANSMISSION
DGQ = 5-Spd Automatic 5-45RFE Transmission
DGJ = 5-Speed Automatic MB Transmission

AR = use ase required - = Non illustrated part

2006 XK

Air Ducts and Outlets
Figure 24-610



ITEM	PART NUMBER	QTY	LINE	SERIES	BODY	ENGINE	TRANS	TRIM	DESCRIPTION
Sale Codes: [D5, J1, J3] Are Interior Trim Colors [HBB] = Rear Air Conditioning [LHD] = Left Hand Drive									
1	5JT08XDVAC	1							GRILLE, Defroster, Upper [D1,D5]
	5JT08ZJ8AC	1							[J1,J3]
2	55117056AA	1							DUCT, Air Outlet Right
	55117057AA	1							Left
3	55117055AA	1							DUCT, Instrument Panel, [LHD] Drivers Side Serviced in Upper Instrument Panel, Passenger Side
4	55116599AC	1							DUCT, Floor Distribution, Side Right
	55116741AC	1							Left
5	55116814AA	1							DUCT, Floor Distribution, Center Floor
6	55037742AE	1							DUCT, Rear Floor Heat, [HBB]
7	55037741AC	1							DUCT, Floor, [HBB]
-8	05143598AA	1							DUCT, Floor Console, Front Duct to Rear Outlet
9	55037760AC	1							BAFFLE, Air
10	1DE15XDVAA	8							OUTLET, Air Conditioning & Heater [D1,D5]
	1DE15ZJ8AA	8							[J1,J3]
11	68003758AA	1		J, T	74				AIR DUCT, Rear A/CLeft

NEW JEEP (XK)

SERIES	LINE	BODY	ENGINE	TRANSMISSION
H = HIGHLINE	T = JEEP - 2WD	74 = SPORT UTILITY 4-DR	EKG = 3.7L V6 Engine	DGQ = 5-Spd Automatic 5-45RFE
P = PREMIUM	J = JEEP - 4WD		EVA = 4.7L V8 MPI Engine	Transmission
			EZB = 5.7L Hemi Multi Displacement Engine	DGJ = 5-Speed Automatic MB Transmission

AR = use ase required - = Non illustrated part

Group - 25

Emission Systems

Group - 25 Emission Systems

Illustration Title

Group-Fig. No.

EGR Systems

EGR System.....Fig. 25 - 205

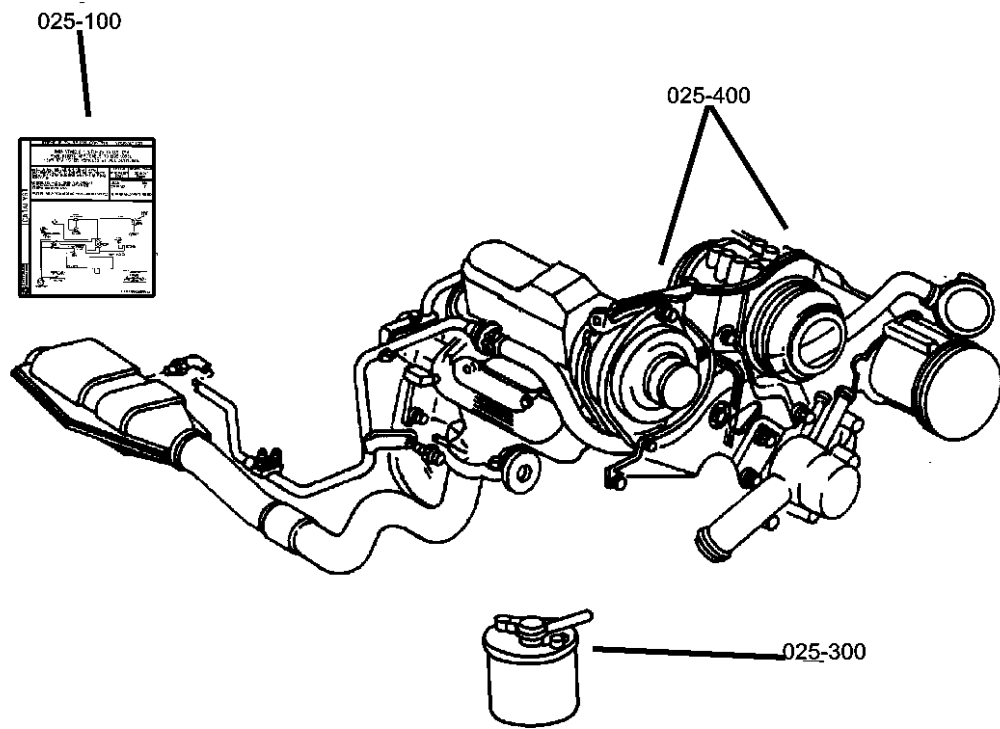
Vacuum Canister

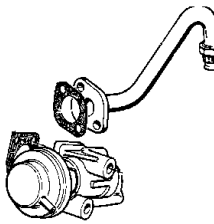
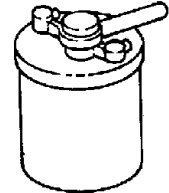
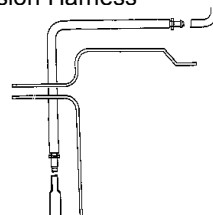
Vacuum Canister,Fig. 25 - 310

Emission Harness

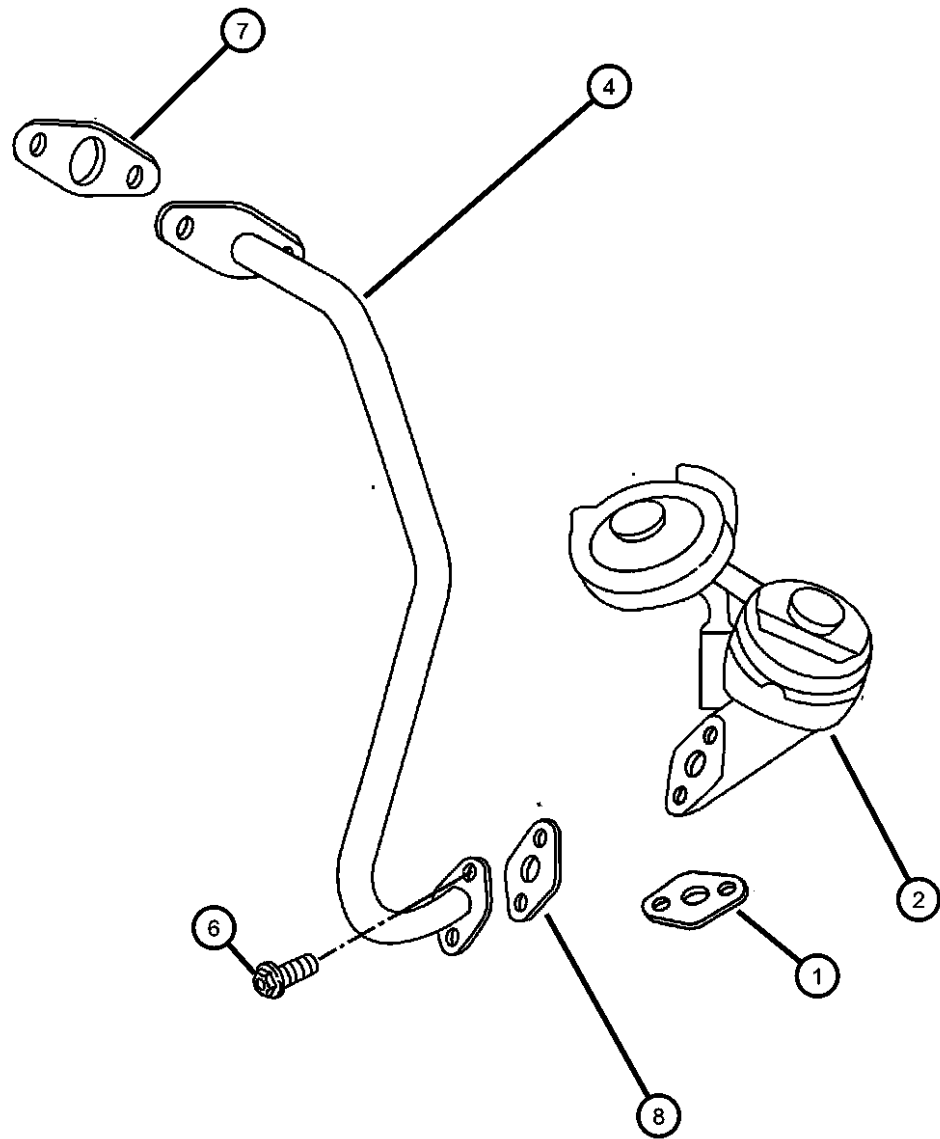
Emission Control Vacuum HarnessFig. 25 - 410

Leak Detection Pump,Fig. 25 - 420



<p>025-200 EGR Systems</p> 	<p>025-300 Vacuum Canister</p> 	<p>025-400 Emission Harness</p> 	
---------------------------------------------------------------------------------------------------------------------------	-------------------------------------------------------------------------------------------------------------------------------	---------------------------------------------------------------------------------------------------------------------------------	--

**EGR System
Figure 25-205**



ITEM	PART NUMBER	QTY	LINE	SERIES	BODY	ENGINE	TRANS	TRIM	DESCRIPTION
1									GASKET, EGR Valve
	53030976AD	1				EVA			
	53032212AA	1				EZO			
2									VALVE, EGR
	53032509AI	1				EZO			
	53032776AE	1				EVA			
-3	06504793AA	2				EZO			SCREW, Hex Flange Head, M8x1.25x28.00, EGR VALVE TO CYL HEAD
4	53032778AC	1				EVA			TUBE, EGR
-5	06508380AA	2				EVA			SCREW, Hex Flange Head, EGR Tube to Cylinder Head
6	06504829AA	2				EZO			SCREW, Hex Flange Head, EGR TUBE TO EGR VALVE
7									SEAL, EGR Tube
	04591250	1				EZO			
		1				EVA			
8									GASKET, EGR Tube Flange
	05277928	1				EZO			
		1				EVA			
-9									BOLT, M8x1.25x30
	06502555	2				EZO			EGR TO CYL HEAD
		2				EVA			EGR TO CYL HEAD

NEW JEEP (XK)

SERIES LINE
H = HIGHLINE T = JEEP - 2WD
P = PREMIUM J = JEEP - 4WD

BODY
74 = SPORT UTILITY 4-DR

ENGINE
EKG = 3.7L V6 Engine
EVA = 4.7L V8 MPI Engine
EZB = 5.7L Hemi Multi Displacement Engine

TRANSMISSION
DGQ = 5-Spd Automatic 5-45RFE Transmission
DGJ = 5-Speed Automatic MB Transmission

AR = use ase required - = Non illustrated part

2006 XK

Vacuum Canister,
Figure 25-310

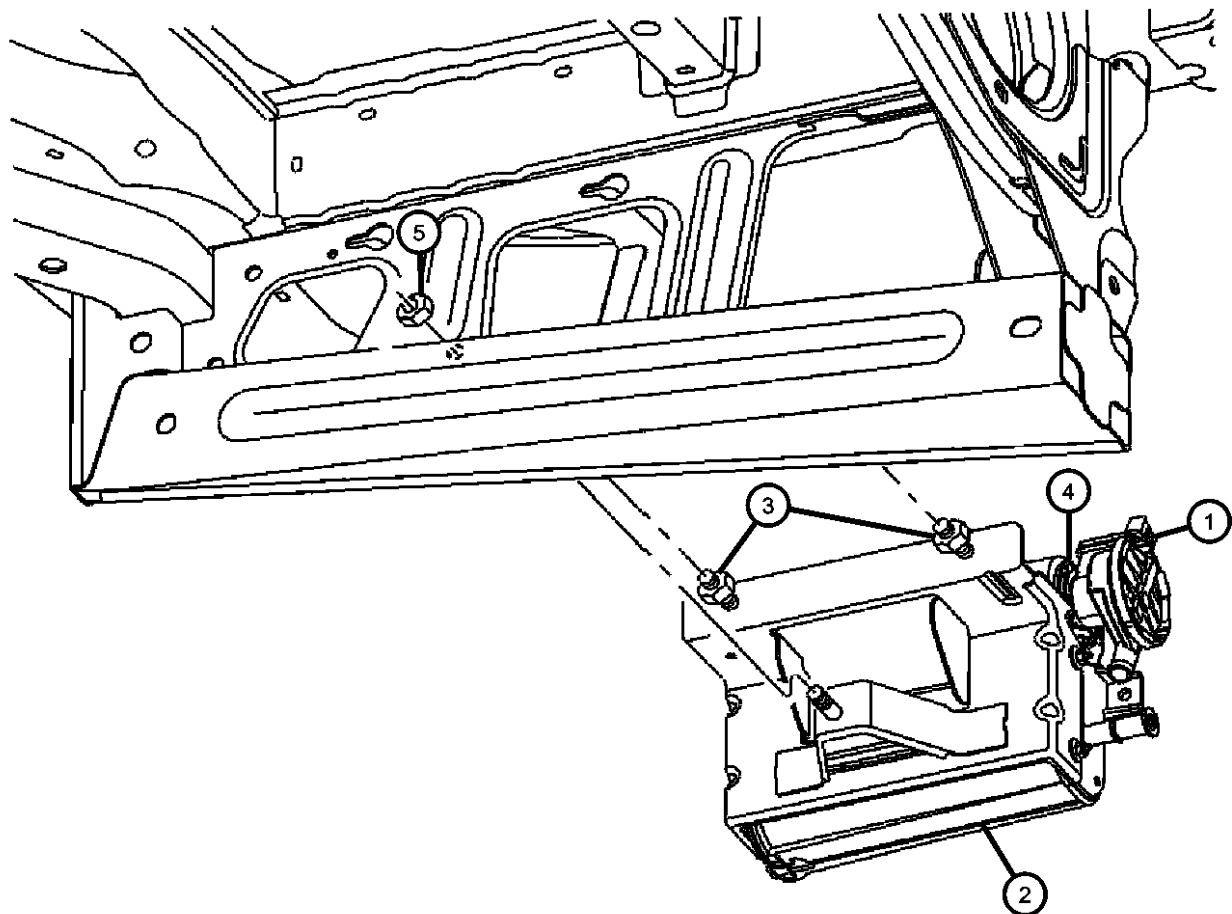
ITEM	PART NUMBER	QTY	LINE	SERIES	BODY	ENGINE	TRANS	TRIM	DESCRIPTION
------	-------------	-----	------	--------	------	--------	-------	------	-------------

Sales Codes

[ER0]= All, 6 Cylinder Gas Engines

[EV0]= All 4.7L V-8 Gas Engines

1	04891524AA	1							DETECTOR, Natural Vacuum Leak Detection
2	04891762AA	1							CANISTER, Fuel Vapor
3	04891762AA	1							NUT, Service with Canister, (NOT SERVICED)
4	04885827AA	1							SEAL, Canister and NVLD Mounting
5	06104716AA	1							NUT
-6	52090442AD	1							BRACKET, Vapor Canister
-7	05174671AA	1							TUBE, Control Valve to Canister, THIS TUBE CONNECT TO FUEL BUNDLE
-8	05143791AA	1							TUBE, Fuel Vapor Recirculation



NEW JEEP (XK)

SERIES LINE
H = HIGHLINE T = JEEP - 2WD
P = PREMIUM J = JEEP - 4WD

BODY
74 = SPORT UTILITY 4-DR

ENGINE
EKG = 3.7L V6 Engine
EVA = 4.7L V8 MPI Engine
EZB = 5.7L Hemi Multi Displacement Engine

TRANSMISSION
DGQ = 5-Spd Automatic 5-45RFE Transmission
DGJ = 5-Speed Automatic MB Transmission

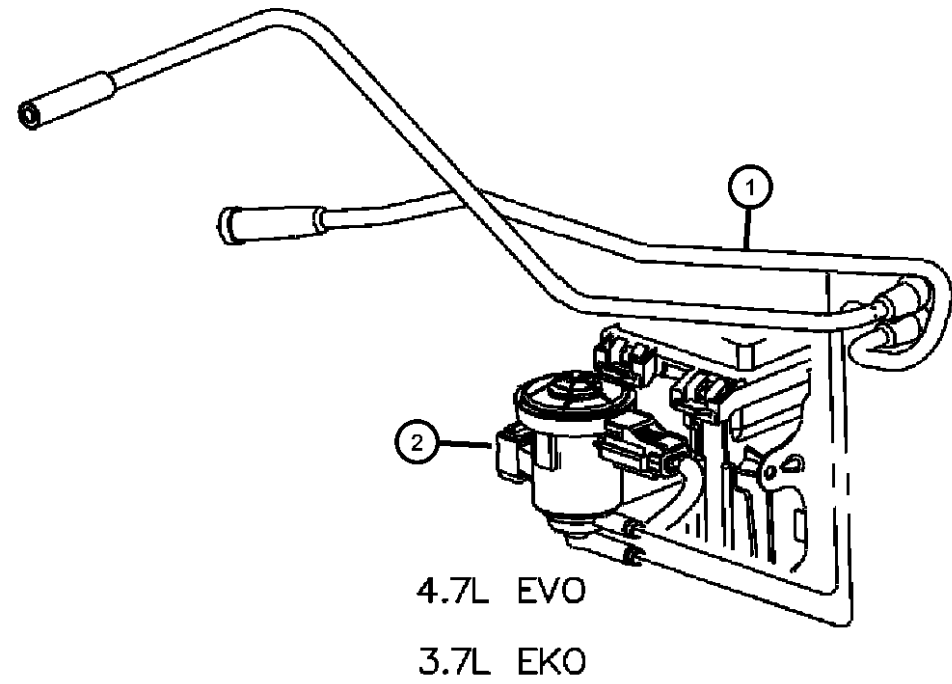
AR = use ase required - = Non illustrated part

2006 XK

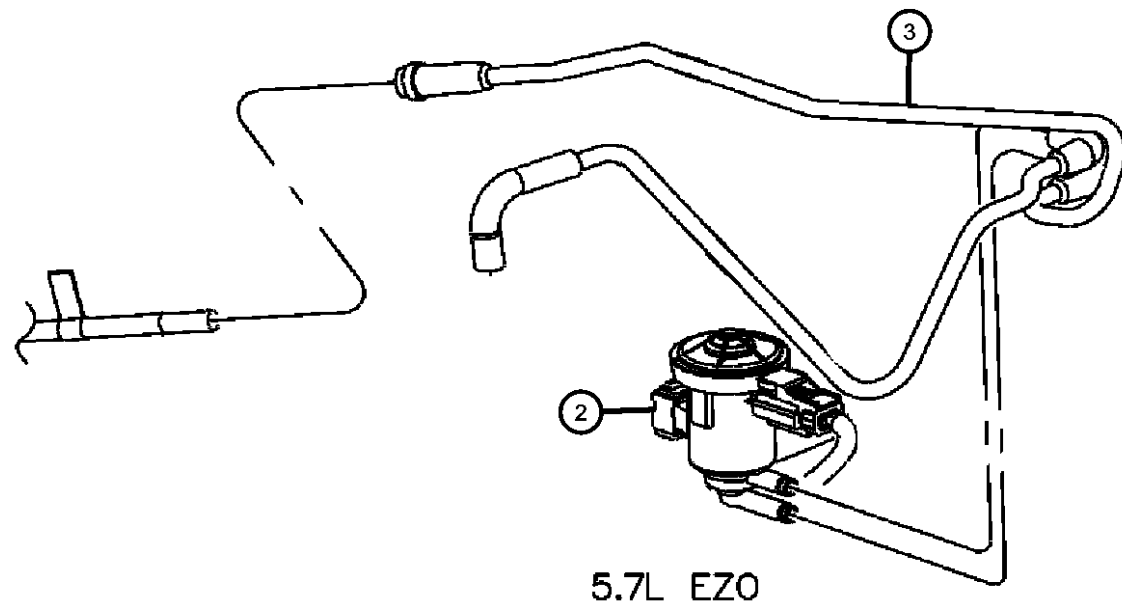
**Emission Control Vacuum Harness
Figure 25-410**

ITEM	PART NUMBER	QTY	LINE	SERIES	BODY	ENGINE	TRANS	TRIM	DESCRIPTION
------	-------------	-----	------	--------	------	--------	-------	------	-------------

Note Sale Code: [EK0]=ALL 3.7L GAS ENGINES
[EZ0]=ALL 5.7L 8CYL GAS ENGINES



1									HARNESS, Proportional Purge Solenoid
	52059605AC	1				EK0			
	52089987AC	1				EVO			
2	52090419AA	1				EK0, EVO, EZ0			SOLENOID, Proportional Purge
3	52059606AD	1				EZ0			HARNESS, Proportional Purge Solenoid



NEW JEEP (XK)

SERIES	LINE
H = HIGHLINE	T = JEEP - 2WD
P = PREMIUM	J = JEEP - 4WD

BODY
74 = SPORT UTILITY 4-DR

ENGINE
EKG = 3.7L V6 Engine
EVA = 4.7L V8 MPI Engine
EZB = 5.7L Hemi Multi Displacement Engine

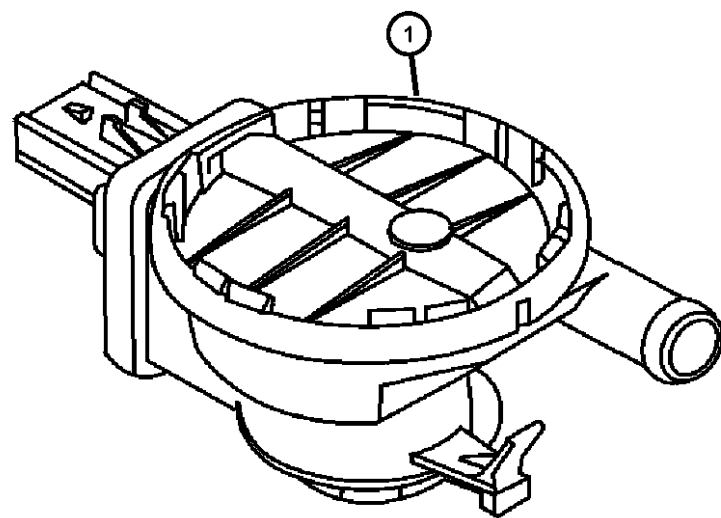
TRANSMISSION
DGQ = 5-Spd Automatic 5-45RFE Transmission
DGJ = 5-Speed Automatic MB Transmission

AR = use ase required - = Non illustrated part

2006 XK

**Leak Detection Pump,
Figure 25-420**

ITEM	PART NUMBER	QTY	LINE	SERIES	BODY	ENGINE	TRANS	TRIM	DESCRIPTION
1	04891524AA	1							DETECTOR, Natural Vacuum Leak Detection
-2	05085164AA	1				EK0, EV0, EZ0			FILTER, Leak Detection Pump



NEW JEEP (XK)

SERIES LINE
H = HIGHLINE T = JEEP - 2WD
P = PREMIUM J = JEEP - 4WD

BODY
74 = SPORT UTILITY 4-DR

ENGINE
EKG = 3.7L V6 Engine
EVA = 4.7L V8 MPI Engine
EZB = 5.7L Hemi Multi Displacement Engine

TRANSMISSION
DGQ = 5-Spd Automatic 5-45RFE Transmission
DGJ = 5-Speed Automatic MB Transmission

AR = use ase required - = Non illustrated part

2006 XK

Group - DXK

Doors and Related Parts

Group - DXK Doors and Related Parts

Illustration Title

Group-Fig. No.

Front Door

Door, Front Shell and Hinges.....	Fig. DXK - 110
Door, Front Glass and Regulators.....	Fig. DXK - 120
Door, Front Lock and Controls.....	Fig. DXK - 130

Rear Door

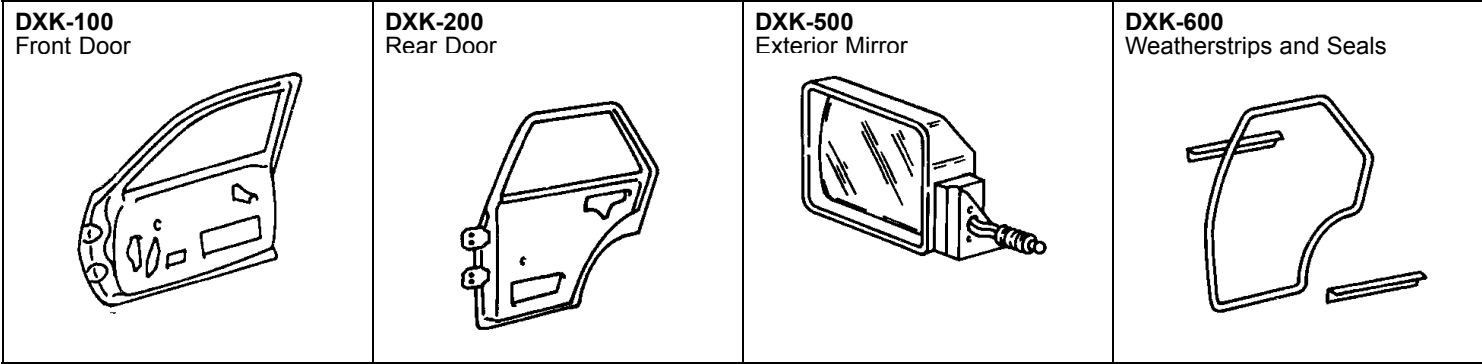
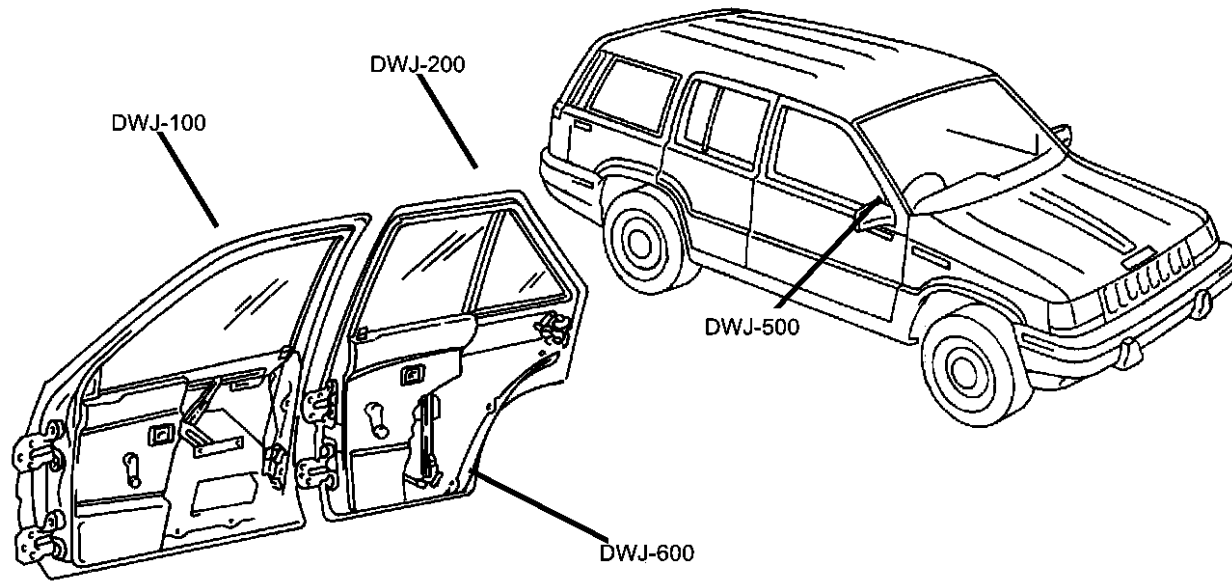
Door, Rear Shell and Hinges.....	Fig. DXK - 210
Door Rear , Glass and Regulator.....	Fig. DXK - 220
Door, Rear Lock and Controls.....	Fig. DXK - 230

Exterior Mirror

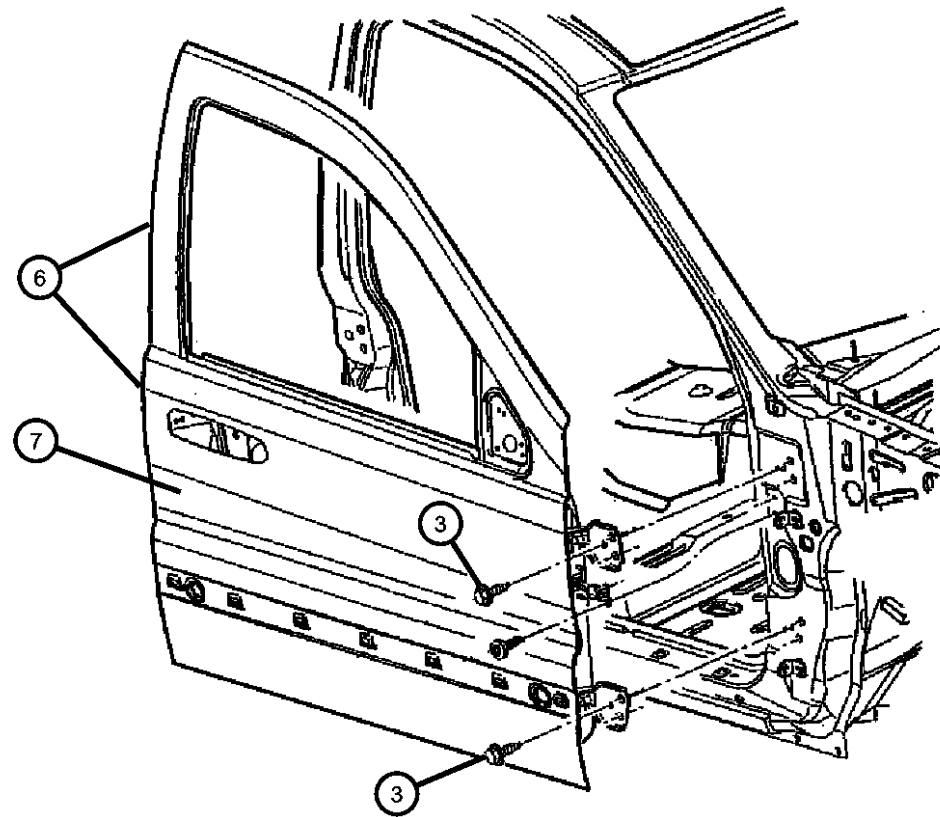
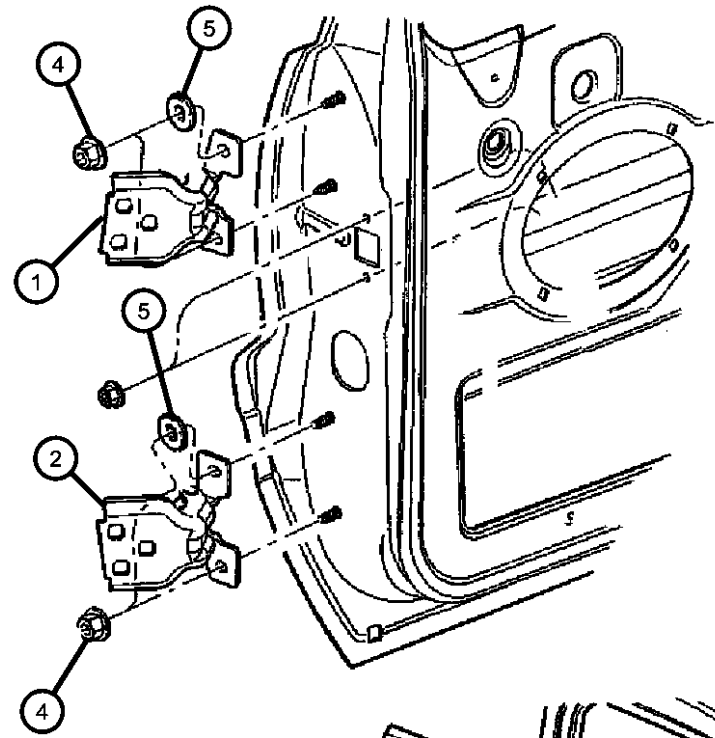
Mirrors, Exterior.....	Fig. DXK - 510
------------------------	----------------

Weatherstrips and Seals

Door, Front Weatherstrips and Seals.....	Fig. DXK - 610
Door, Rear Weatherstrips and Seals.....	Fig. DXK - 620
Door, Rear Lift Gate.....	Fig. DXK - 630



Door, Front Shell and Hinges
Figure DXK-110



ITEM	PART NUMBER	QTY	LINE	SERIES	BODY	ENGINE	TRANS	TRIM	DESCRIPTION
1	55369194AB	1							HINGE, Door, Upper Right
	55369195AB	1							Left
2	55369186AB	1							HINGE, Door, Lower Right
	55369187AB	1							Left
3	06503328	10							SCREW, Hex Head, M8x1.25x30
4	06101446	8							NUT AND WASHER
5	06101446	8							WASHER, Flat, (NOT SERVICED)
6	55396542AC	1							DOOR, Front Right
	55396543AC	1							Left
7	55396546AB	1							PANEL, Front Door Outer Repair Right
	55396547AB	1							Left

NEW JEEP (XK)

SERIES LINE
H = HIGHLINE T = JEEP - 2WD
P = PREMIUM J = JEEP - 4WD

BODY
74 = SPORT UTILITY 4-DR

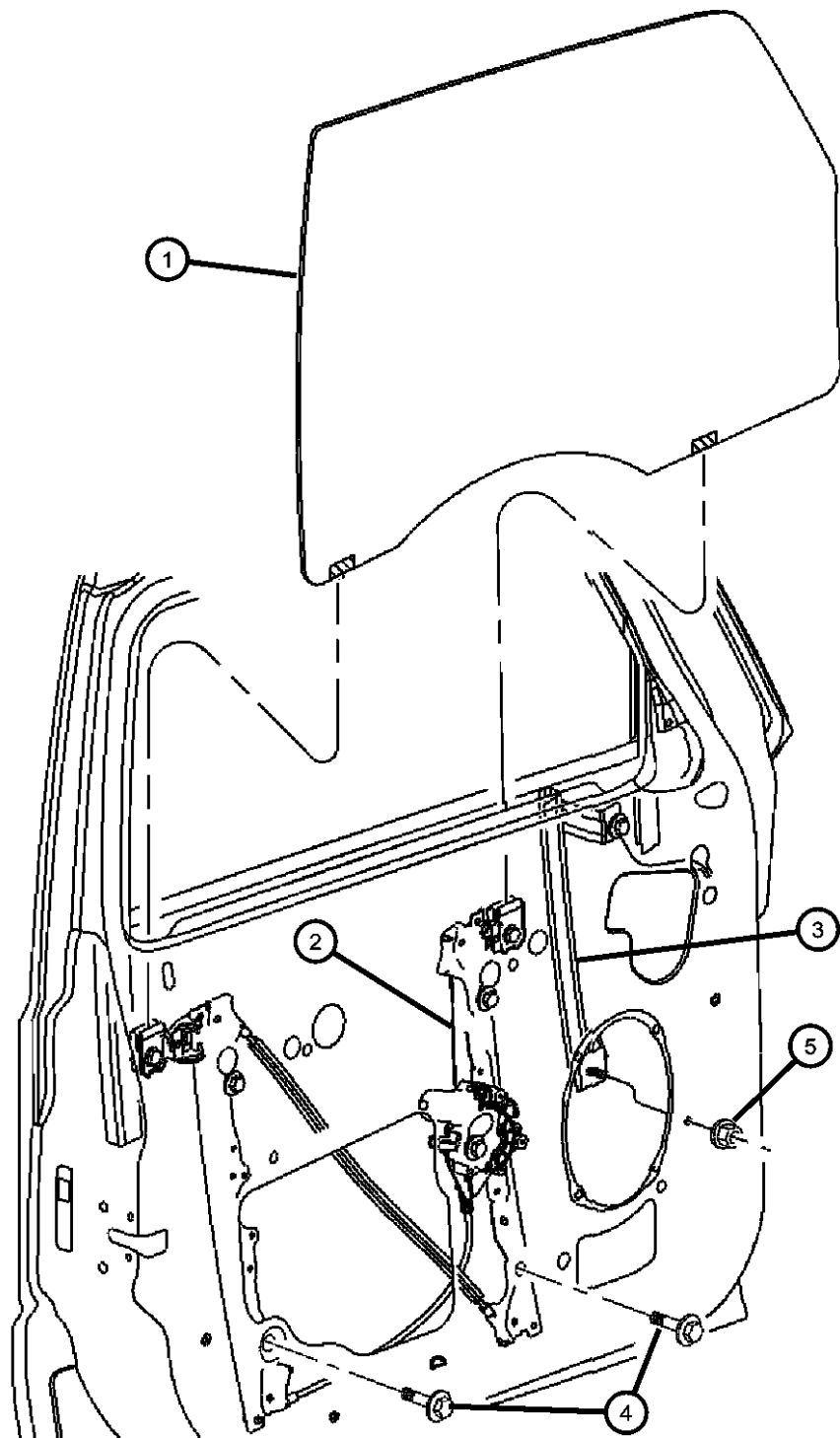
ENGINE
EKG = 3.7L V6 Engine
EVA = 4.7L V8 MPI Engine
EZB = 5.7L Hemi Multi
Displacement Engine

TRANSMISSION
DGQ = 5-Spd Automatic 5-45RFE
Transmission
DGJ = 5-Speed Automatic MB
Transmission

AR = use ase required - = Non illustrated part

2006 XK

Door, Front Glass and Regulators
Figure DXK-120



ITEM	PART NUMBER	QTY	LINE	SERIES	BODY	ENGINE	TRANS	TRIM	DESCRIPTION
1	55369444AA	1	J, T	H	74				GLASS, Front Door
	DD11129GTY								Tempered, After 1/3/06, Right Collision Replacement Glass
	55369445AA	1	J, T	H	74				Tempered, After 1/3/06, Left Collision Replacement Glass
	DD11130GTY								Laminated, Up to 1/3/06, Right Collision Replacement Glass
	55396478AB	1							Laminated, After 1/3/06, Right Collision Replacement Glass
	55396478AC	1	J, T	P, S	74				Laminated, Up to 1/3/06, Left Collision Replacement Glass
	DD10983GTY								Laminated, After 1/3/06, Left Collision Replacement Glass
	55396479AB	1							Laminated, Up to 1/3/06, Left Collision Replacement Glass
	55396479AC	1	J, T	P, S	74				Laminated, After 1/3/06, Left Collision Replacement Glass
DD10984GTY									
2	55396480AB	1							REGULATOR, Front Door Window Right
	55396481AB	1							Left
3	55396540AB	1							CHANNEL, Front Door Glass Right
	55396541AB	1							Left
4	55396541AB	1							SCREW, Tapping, M6X1.00X16.00, (NOT SERVICED)
5	55396541AB	1							NUT AND WASHER, M6x1.00, (NOT SERVICED)

NEW JEEP (XK)

SERIES LINE
H = HIGHLINE T = JEEP - 2WD
P = PREMIUM J = JEEP - 4WD

BODY
74 = SPORT UTILITY 4-DR

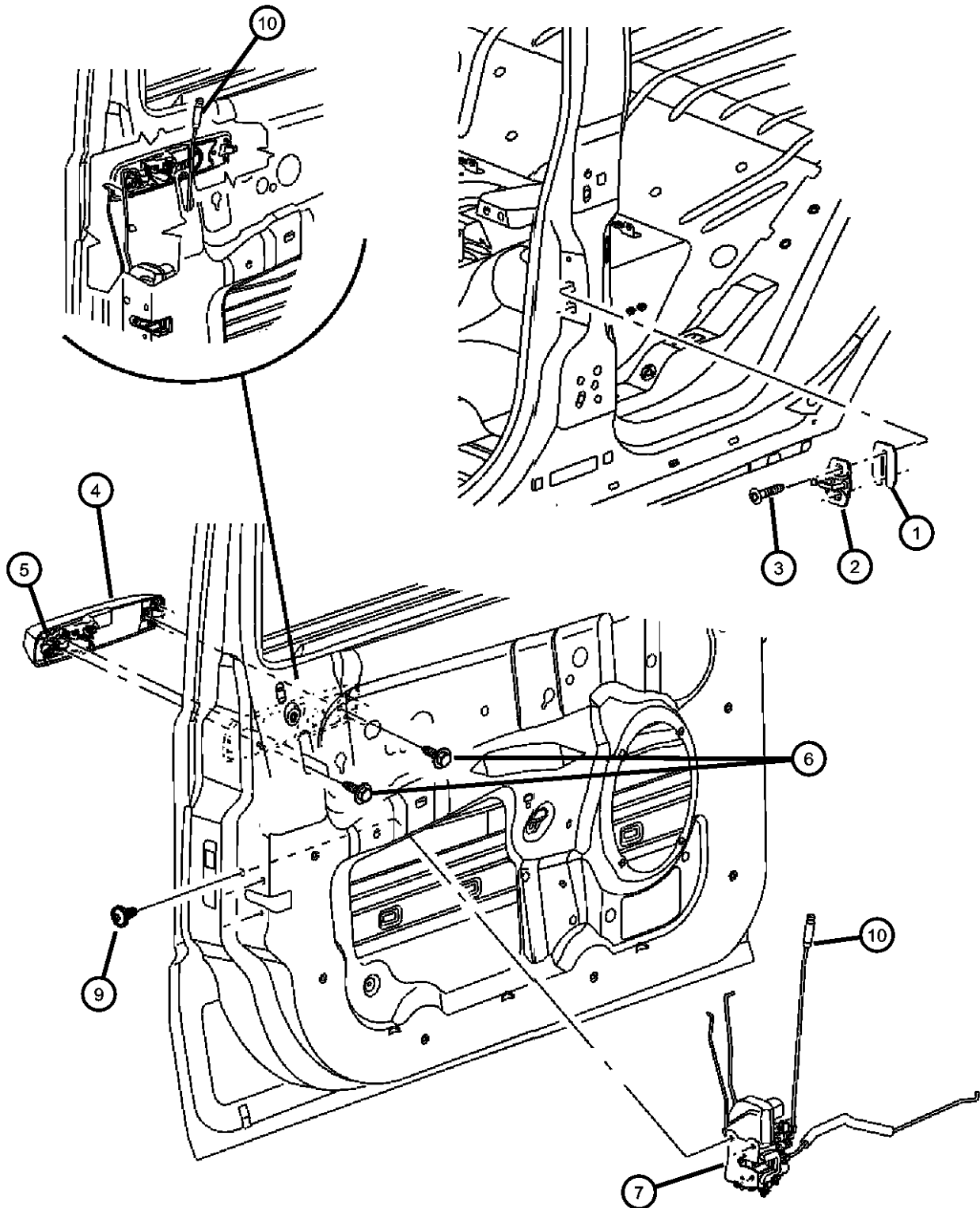
ENGINE
EKG = 3.7L V6 Engine
EVA = 4.7L V8 MPI Engine
EZB = 5.7L Hemi Multi Displacement Engine

TRANSMISSION
DGQ = 5-Spd Automatic 5-45RFE Transmission
DGJ = 5-Speed Automatic MB Transmission

AR = use ase required - = Non illustrated part

2006 XK

Door, Front Lock and Controls
Figure DXK-130



ITEM	PART NUMBER	QTY	LINE	SERIES	BODY	ENGINE	TRANS	TRIM	DESCRIPTION
1	04520289	AR							SPACER, Door Latch Striker 3.75mm
	55075483	AR							2.0mm
2	04717779AB	2							STRIKER AND BUMPER, Door Latch
3	06506749AA	4							SCREW, 6 Lobed
4									HANDLE, Door Exterior
	55394240AG	1		H					Textured Black, Right
	5HS56AJCAG	1		P					[JC], Without Lock Cylinder Hole, Right
	5HS56ARJAG	1		P					[RJ], Without Lock Cylinder Hole, Right
	55394237AG	1		H					Textured Black, Left
	5HS56BJTAG	1		P					[JT], Without Lock Cylinder Hole, Right
	5HS56CG-VAG	1		P					[GV], Without Lock Cylinder Hole, Right
	5HS56DX8AG	1		P					[X8], Without Lock Cylinder Hole, Right
	5HS56SW1AG	1		P					[W1], Without Lock Cylinder Hole, Right
	5HS56WS-BAG	1		P					[SB], Without Lock Cylinder Hole, Right
	5HS56BB8AH	1		P					[B8], Without Lock Cylinder Hole, Right
	5HS56EGJAH	1	J, T	P	74				[GJ], Without Lock Cylinder Hole, Right
	5HS56AJCAI	1	J, T	H	74				[JC], Without Lock Cylinder Hole, Right
	5HS56EDAAI	1	J, T	H	74				[DA], Without Lock Cylinder Hole, Right
	5HS56EEMAI	1	J, T	P	74				[EM], Without Lock Cylinder Hole, Right
	5HS56BJTAI	1	J, T	H	74				[JT], Without Lock Cylinder Hole, Right
	5HS56DBMAI	1	J, T	P	74				[BM], Without Lock Cylinder Hole, Right
	5HS56DX8AI	1	J, T	H	74				[X8], Without Lock Cylinder Hole, Right
		1	J, T	P	74				[DA], Without Lock Cylinder Hole, Right
	5HS56EGJAI	1	J, T	H	74				[GJ], Without Lock Cylinder Hole, Right
	5HS56WSBAI	1	J, T	H	74				[SB], Without Lock Cylinder Hole, Right
	5HW79AJCAG	1		P					[JC], Left

NEW JEEP (XK)

SERIES LINE
H = HIGHLINE T = JEEP - 2WD
P = PREMIUM J = JEEP - 4WD

BODY
74 = SPORT UTILITY 4-DR

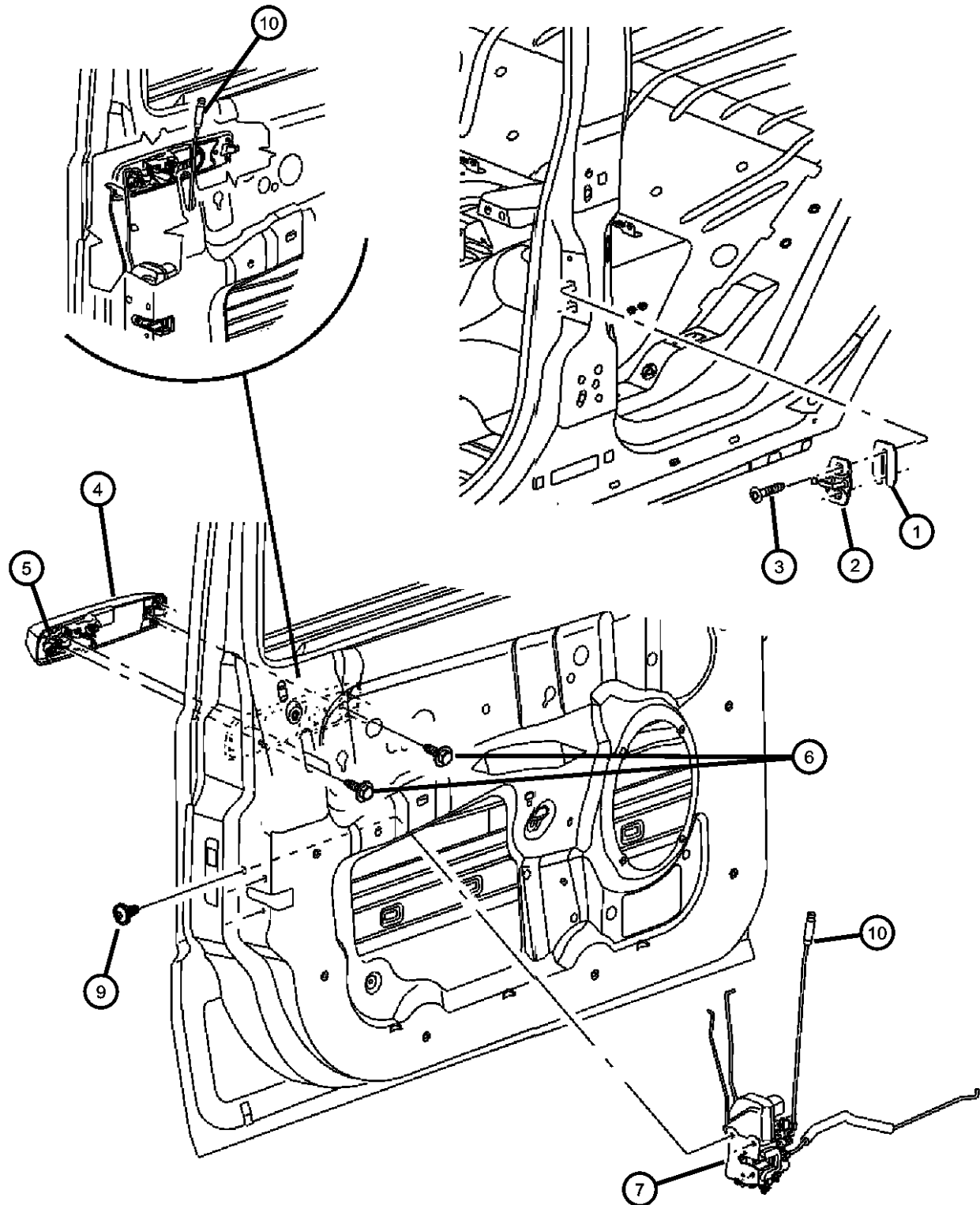
ENGINE
EKG = 3.7L V6 Engine
EVA = 4.7L V8 MPI Engine
EZB = 5.7L Hemi Multi Displacement Engine

TRANSMISSION
DGQ = 5-Spd Automatic 5-45RFE Transmission
DGJ = 5-Speed Automatic MB Transmission

AR = use ase required - = Non illustrated part

2006 XK

Door, Front Lock and Controls
Figure DXK-130



ITEM	PART NUMBER	QTY	LINE	SERIES	BODY	ENGINE	TRANS	TRIM	DESCRIPTION
	5HW79AR-JAG	1		P					[RJ], Left
	5HW79BB8AG	1		P					[B8], Left
	5HW79BJ-TAG	1		P					[JT], Left
	5HW79CG-VAG	1		P					[GV], Left
	5HW79DX8AG	1		P					[X8], Left
	5HW79SW1AG	1		P					[W1], Left
	5HW79WS-BAG	1		P					[SB], Left
	5HW79BJTAI	1	J, T	H	74				[JT], Left
	5HW79DX8AI	1	J, T	H	74				[X8], Left
	5HW79EGJAI	1	J, T	P	74				[GJ], Left
		1	J, T	H	74				[GJ], Left
	5HW79WS-BAI	1	J, T	H	74				[SB], Left
	5HW79AJCAI	1	J, T	H	74				[JC], Left
5									CLIP, Rod Door Lock
	05179176AA	1		H					Lock Rod To Cylinder
		1		P					Lock Rod To Cylinder
6	06508074AA	6							SCREW, Tapping
7									LATCH, Front Door
	55369091AB	1							With Keyed Entry
	55396530AB	1							Without Keyed Entry
-8	06507578AA	1							SCREW
9	06507121AA	6							SCREW
10									KNOB, Door Lock
	55369162AB	1							Right
	55369163AB	1							Left

NEW JEEP (XK)

SERIES LINE
H = HIGHLINE T = JEEP - 2WD
P = PREMIUM J = JEEP - 4WD

BODY
74 = SPORT UTILITY 4-DR

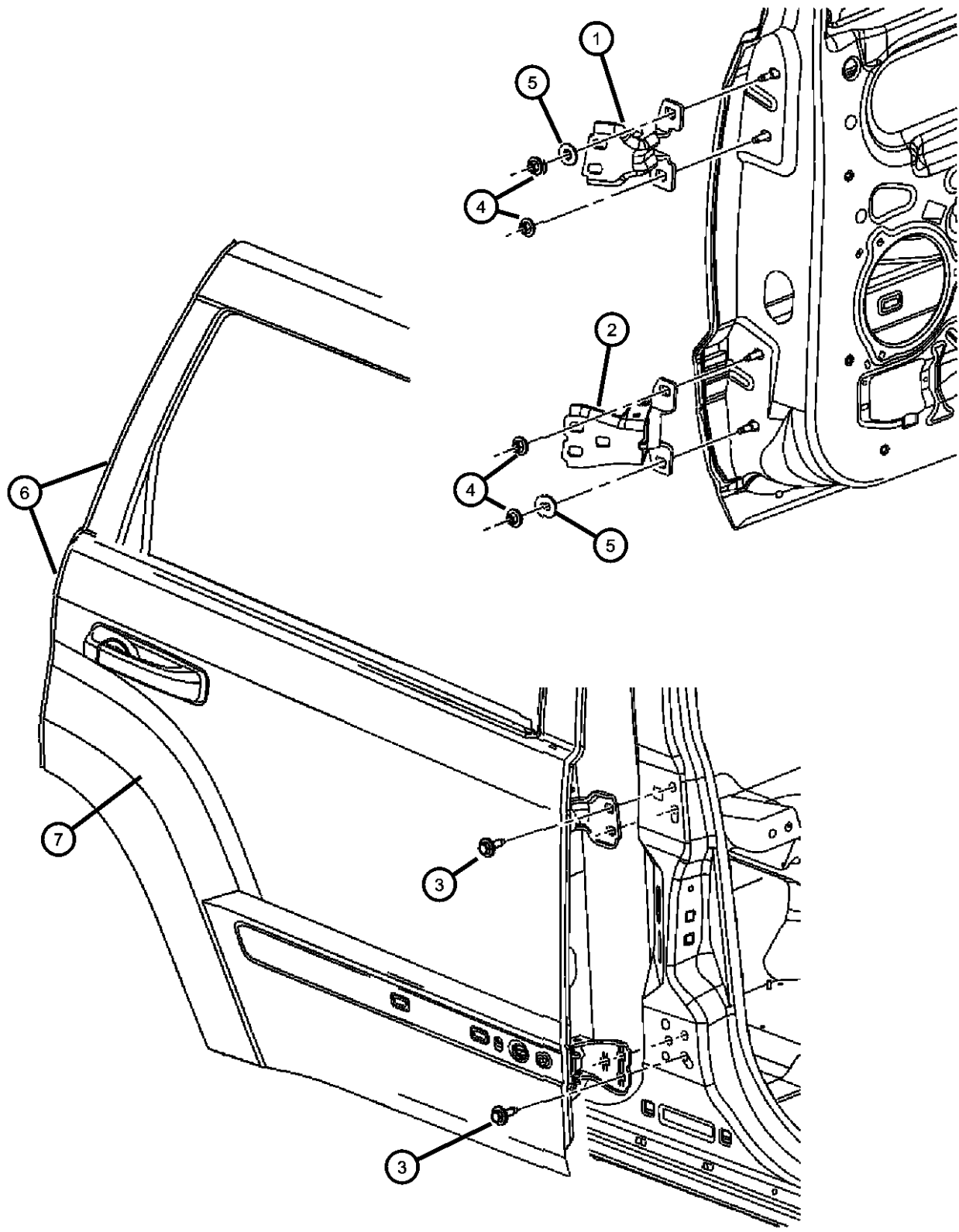
ENGINE
EKG = 3.7L V6 Engine
EVA = 4.7L V8 MPI Engine
EZB = 5.7L Hemi Multi Displacement Engine

TRANSMISSION
DGQ = 5-Spd Automatic 5-45RFE Transmission
DGJ = 5-Speed Automatic MB Transmission

AR = use ase required - = Non illustrated part

2006 XK

Door, Rear Shell and Hinges
Figure DXK-210



ITEM	PART NUMBER	QTY	LINE	SERIES	BODY	ENGINE	TRANS	TRIM	DESCRIPTION
1	55369194AB	1							HINGE, Door, Upper Right
	55369195AB	1							Left
2	55369188AB	1							HINGE, Rear Door Lower, Lower Right
	55369189AB	1							Left
3	06503328	10							SCREW, Hex Head, M8x1.25x30
4	06101446	8							NUT AND WASHER
5	06101446	8							WASHER, Flat, (NOT SERVICED)
6	55396496AB	1							DOOR, Rear Right
	55396497AB	1							Left
7	55396498AB	1							PANEL, Rear Door Right
	55396499AB	1							Left

NEW JEEP (XK)

SERIES LINE
H = HIGHLINE T = JEEP - 2WD
P = PREMIUM J = JEEP - 4WD

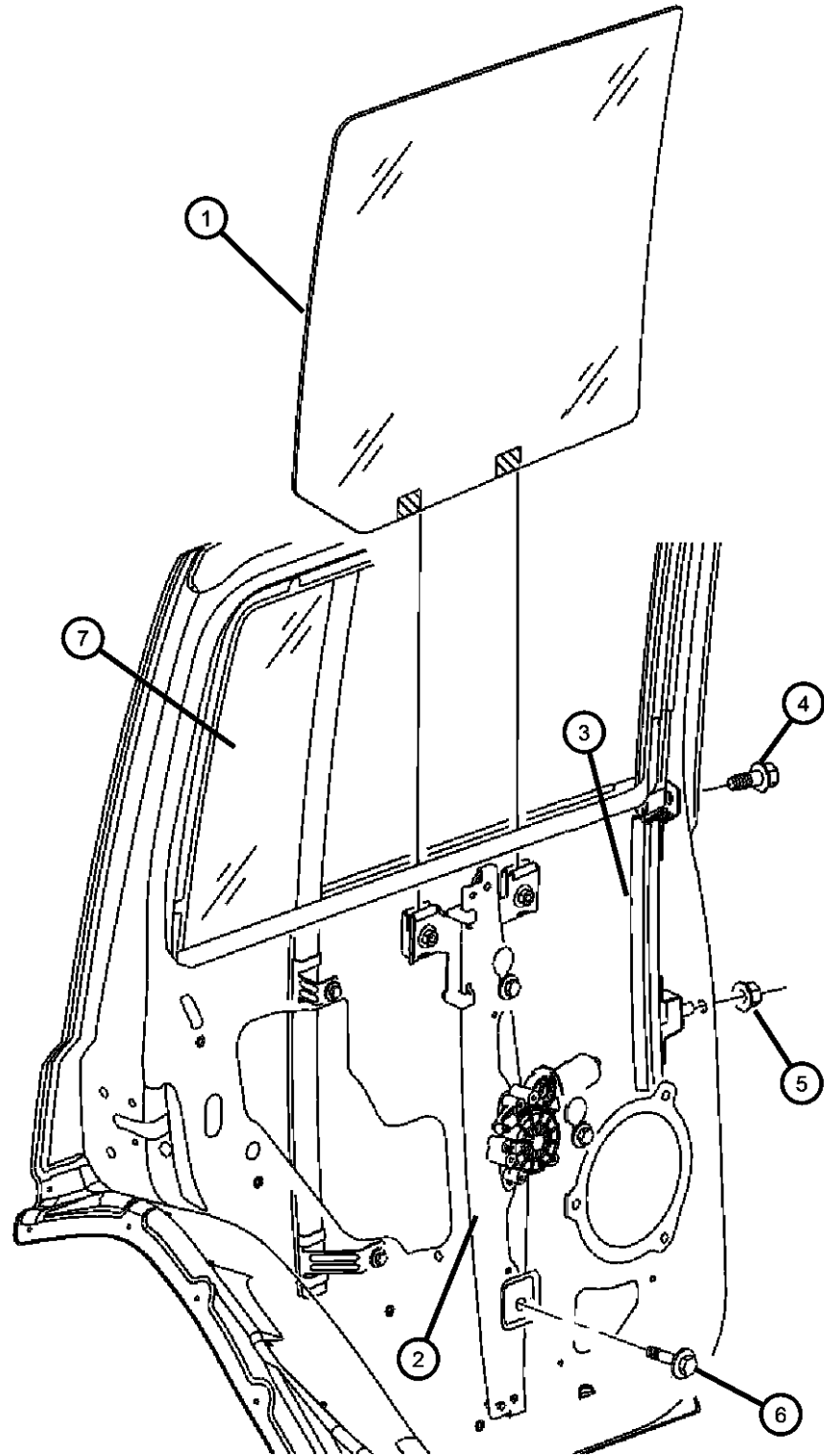
BODY
74 = SPORT UTILITY 4-DR

ENGINE
EKG = 3.7L V6 Engine
EVA = 4.7L V8 MPI Engine
EZB = 5.7L Hemi Multi
Displacement Engine

TRANSMISSION
DGQ = 5-Spd Automatic 5-45RFE
Transmission
DGJ = 5-Speed Automatic MB
Transmission

AR = use ase required - = Non illustrated part

**Door Rear , Glass and Regulator
Figure DXK-220**



ITEM	PART NUMBER	QTY	LINE	SERIES	BODY	ENGINE	TRANS	TRIM	DESCRIPTION
1	55396556AA	1							GLASS, Rear Door Right
	DD10985YPN								Collision Replacement Glass
	55396557AA	1							Left
	DD10986YPN								Collision Replacement Glass
2	55396482AB	1							REGULATOR, Rear Door Window Right
	55396483AB	1							Left
3	55369230AB	1							CHANNEL, Rear Door Glass Lower Right
	55369231AB	1							Left
4	06104366AA	8							SCREW AND WASHER, Hex Head, M6x1x20
5	06104725AA	2							NUT AND WASHER, M6x1
6	06104725AA	2							SCREW, Tapping, M6x1.00x16.00, (NOT SERVICED)
7	55396718AC	1							GLASS, Rear Door, Fixed Right
	55396719AC	1							Left

NEW JEEP (XK)

SERIES LINE
H = HIGHLINE T = JEEP - 2WD
P = PREMIUM J = JEEP - 4WD

BODY
74 = SPORT UTILITY 4-DR

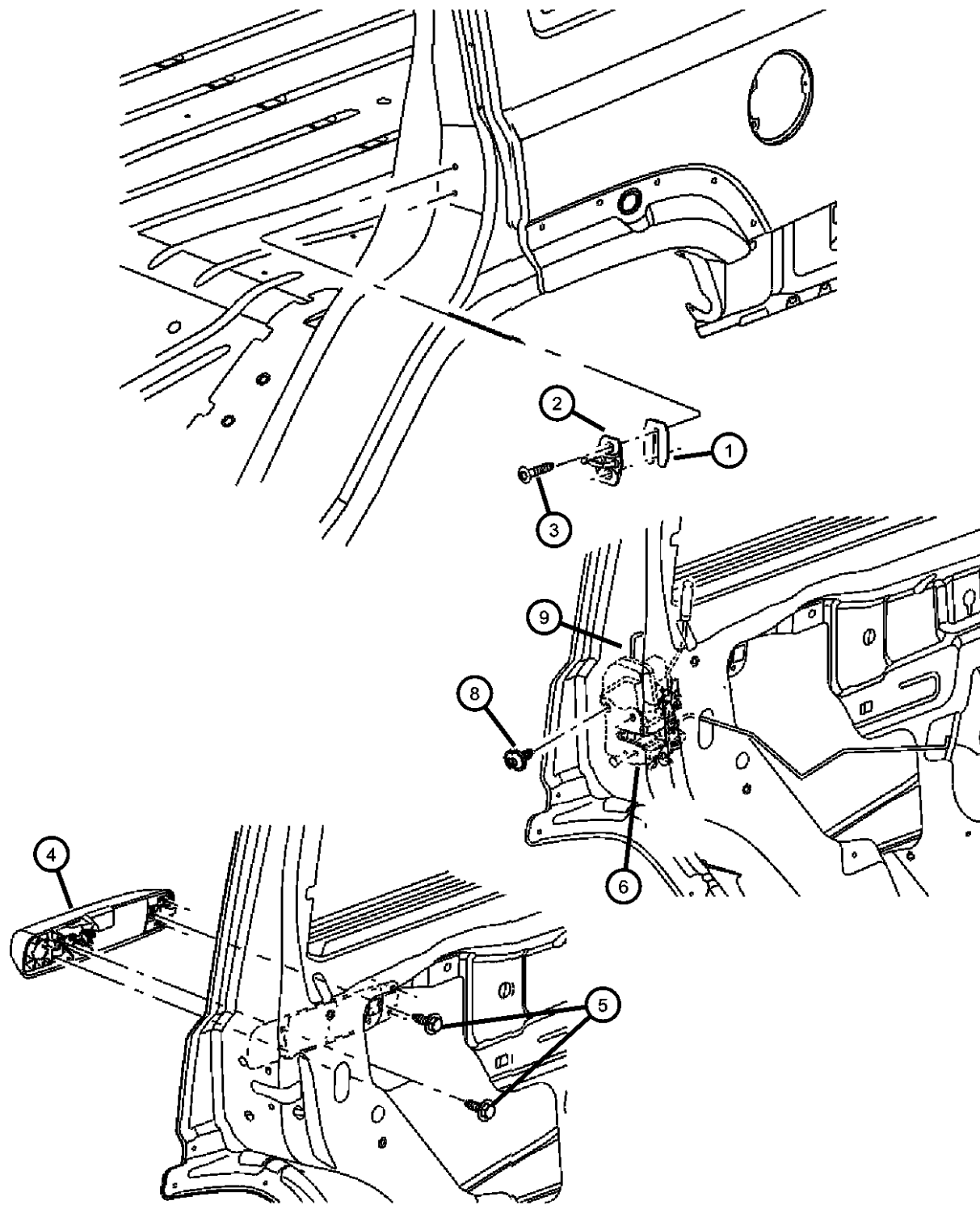
ENGINE
EKG = 3.7L V6 Engine
EVA = 4.7L V8 MPI Engine
EZB = 5.7L Hemi Multi
Displacement Engine

TRANSMISSION
DGQ = 5-Spd Automatic 5-45RFE
Transmission
DGJ = 5-Speed Automatic MB
Transmission

AR = use ase required - = Non illustrated part

2006 XK

**Door, Rear Lock and Controls
Figure DXK-230**



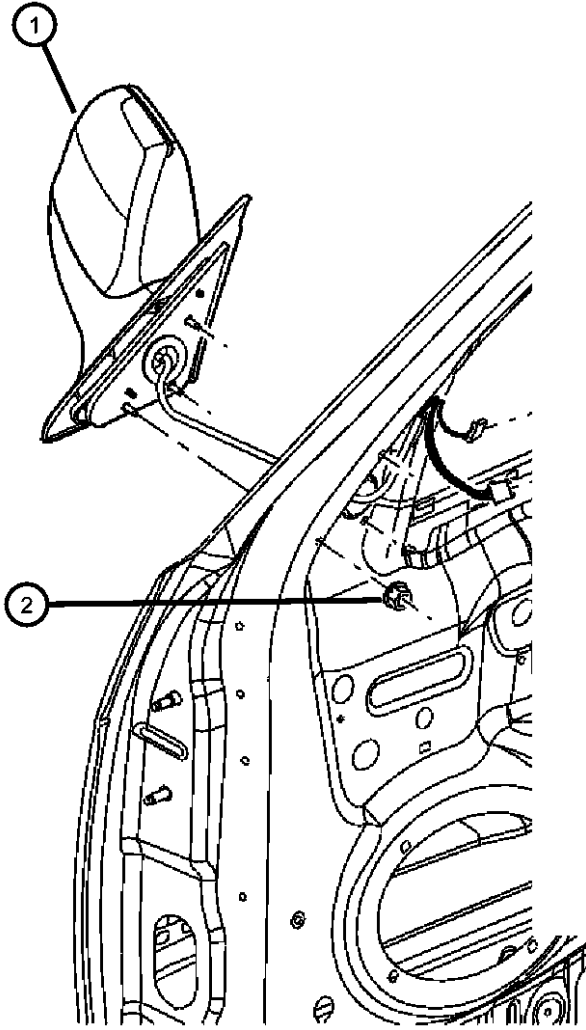
ITEM	PART NUMBER	QTY	LINE	SERIES	BODY	ENGINE	TRANS	TRIM	DESCRIPTION
1	04520289	AR							SPACER, Door Latch Striker 3.75 mm thick
	55075483	AR							2.0 mm thick
2	04717779AB	2							STRIKER AND BUMPER, Door Latch
3	06506749AA	4							SCREW, 6 Lobed Striker To Body
4									HANDLE, Door Exterior
	55394241AF	1		H					Textured Black, Left
	5HS56AJCAG	1		P					[JC], Right
	5HS56ARJAG	1		P					[RJ], Right
	5HS56BB8AG	1		P					[B8], Right
	55394240AF	1		H					Textured Black, Right
	5HS56BJTAG	1		P					[JT], Right
	5HS56CG-VAG	1		P					[GV], Right
	5HS56DX8AG	1		P					[X8], Right
	5HS56SW1AG	1		P					[W1], Right
	5HS56WS-BAG	1		P					[SB], Right
	5HS57AJCAG	1		P					[JC], Left
	5HS57BJTAG	1		P					[JT], Left
	5HS57CG-VAG	1		P					[GV], Left
	5HS57DX8AG	1		P					[X8], Left
	5HS57SW1AG	1		P					[W1], Left
	5HS57ARJAG	1		P					[RJ], Left
	5HS57BB8AG	1		P					[B8], Left
	5HS57WS-BAG	1		P					[SB], Left
5	06508074AA	6							SCREW, Tapping Outside Handle Attaching
6									LATCH, Rear Door
	55396532AB	1							Right
	55396533AB	1							Left
-7	06507578AA	1							SCREW
8	06507121AA	6							SCREW Latch Attaching
9									ROD, Outside Handle to Latch
	55369166AA	1							Right
	55369167AA	1							Left

NEW JEEP (XK)

SERIES	LINE	BODY	ENGINE	TRANSMISSION
H = HIGHLINE	T = JEEP - 2WD	74 = SPORT UTILITY 4-DR	EKG = 3.7L V6 Engine	DGQ = 5-Spd Automatic 5-45RFE
P = PREMIUM	J = JEEP - 4WD		EVA = 4.7L V8 MPI Engine	Transmission
			EZB = 5.7L Hemi Multi Displacement Engine	DGJ = 5-Speed Automatic MB Transmission

AR = use ase required - = Non illustrated part

Mirrors, Exterior
Figure DXK-510



ITEM	PART NUMBER	QTY	LINE	SERIES	BODY	ENGINE	TRANS	TRIM	DESCRIPTION
1									MIRROR, Outside, Rearview, Electric, Heated
	55157011AB	1							Power Heated, Memory, Left
	55157012AB	1							Power Heated, Memory, Right
	55396636AB	1							Power Heated, Right
	55396637AB	1							Power Heated, Left
2	06102398AA	6							NUT, Hex
-3									GLASS, Mirror Replacement
	05183227AA	1							Power Heated, Memory, Left
	05183228AA	1							Power Heated, Memory, Right
		1							Power Heated, Right
	05183229AA	1							Power Heated, Left

NEW JEEP (XK)

SERIES LINE
H = HIGHLINE T = JEEP - 2WD
P = PREMIUM J = JEEP - 4WD

BODY
74 = SPORT UTILITY 4-DR

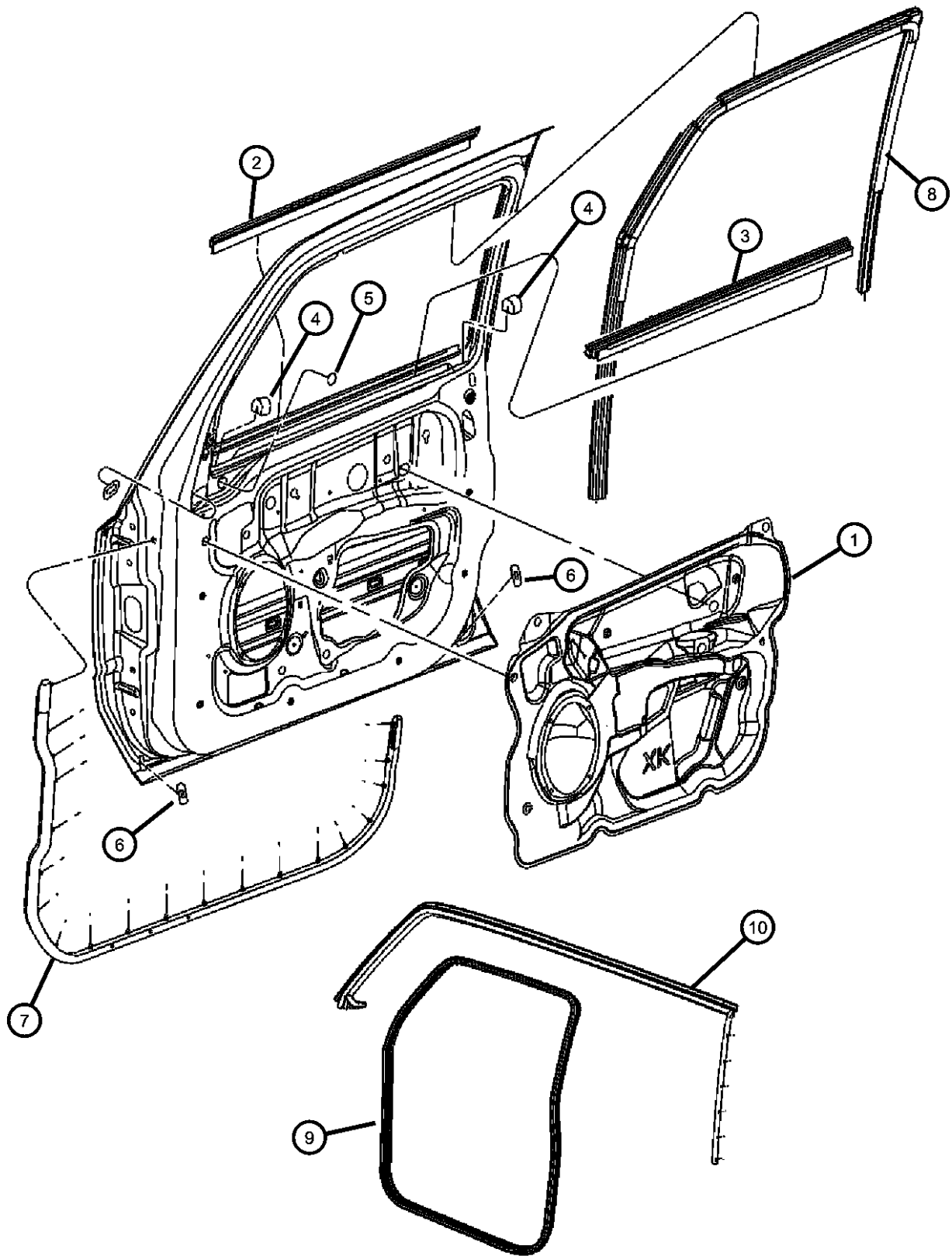
ENGINE
EKG = 3.7L V6 Engine
EVA = 4.7L V8 MPI Engine
EZB = 5.7L Hemi Multi Displacement Engine

TRANSMISSION
DGQ = 5-Spd Automatic 5-45RFE Transmission
DGJ = 5-Speed Automatic MB Transmission

AR = use ase required - = Non illustrated part

2006 XK

**Door, Front Weatherstrips and Seals
Figure DXK-610**



ITEM	PART NUMBER	QTY	LINE	SERIES	BODY	ENGINE	TRANS	TRIM	DESCRIPTION
1	55396678AD	1							WATERSHIELD, Front Door Right
	55396679AD	1							Left
2	55396694AC	1							WEATHERSTRIP, Front Door Right
	55396695AC	1							Left
3	55396706AB	1							WEATHERSTRIP, Front Door Belt Right
	55396707AB	1							Left
4	55396707AB	1							FOAM, Front Door Belt, (NOT SERVICED)
5	55396707AB	1							PLUG, Body, .75 Diameter, (NOT SERVICED)
6	55396707AB	1							TAPE, Front Door, (NOT SERVICED)
7	55396710AF	1							SEAL, Front Door Right
	55396711AF	1							Left
8	55396696AC	1							SEAL, Front Door Glass Right
	55396697AC	1							Left
9	55396698AE	2							SEAL, Front Door
10	55396716AC	1							SEAL, Body Side Right
	55396717AC	1							Left

NEW JEEP (XK)

SERIES LINE
H = HIGHLINE T = JEEP - 2WD
P = PREMIUM J = JEEP - 4WD

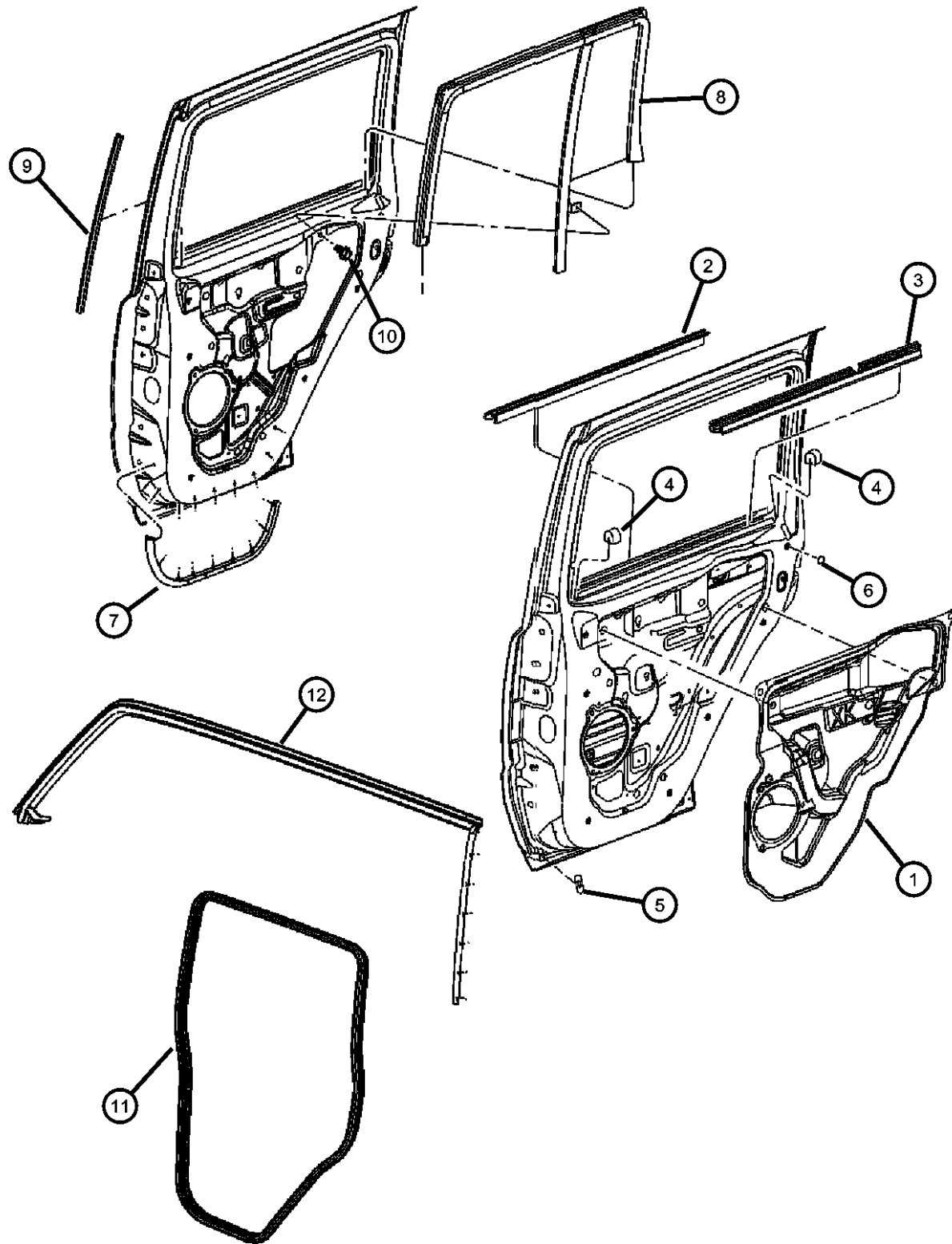
BODY
74 = SPORT UTILITY 4-DR

ENGINE
EKG = 3.7L V6 Engine
EVA = 4.7L V8 MPI Engine
EZB = 5.7L Hemi Multi
Displacement Engine

TRANSMISSION
DGQ = 5-Spd Automatic 5-45RFE
Transmission
DGJ = 5-Speed Automatic MB
Transmission

AR = use ase required - = Non illustrated part

**Door, Rear Weatherstrips and Seals
Figure DXK-620**



ITEM	PART NUMBER	QTY	LINE	SERIES	BODY	ENGINE	TRANS	TRIM	DESCRIPTION
1	55396688AD	1							WATERSHIELD, Rear Door Right
	55396689AD	1							Left
2	55396704AC	1							WEATHERSTRIP, Rear Door Belt Right
	55396705AC	1							Left
3	55396702AB	1							WEATHERSTRIP, Rear Door Belt Right
	55396703AB	1							Left
4	55396703AB	1							FOAM, Front Door Belt, (NOT SERVICED)
5	55396703AB	1							TAPE, Front Door, (NOT SERVICED)
6	05257081	2							PLUG, Door
7	55396712AC	1							SEAL, Rear Door Right
	55396713AC	1							Left
8	55396718AC	1							GLASS, Rear Door, Fixed Right
	55396719AC	1							Left
9	55396708AA	2							SEAL, Door
10	06104366AA	8							SCREW AND WASHER, Hex Head, M6x1x20
11	55396700AE	2							SEAL, Rear Door
12	55396716AC	1							SEAL, Body Side Right
	55396717AC	1							Left

NEW JEEP (XK)

SERIES LINE
H = HIGHLINE T = JEEP - 2WD
P = PREMIUM J = JEEP - 4WD

BODY
74 = SPORT UTILITY 4-DR

ENGINE
EKG = 3.7L V6 Engine
EVA = 4.7L V8 MPI Engine
EZB = 5.7L Hemi Multi Displacement Engine

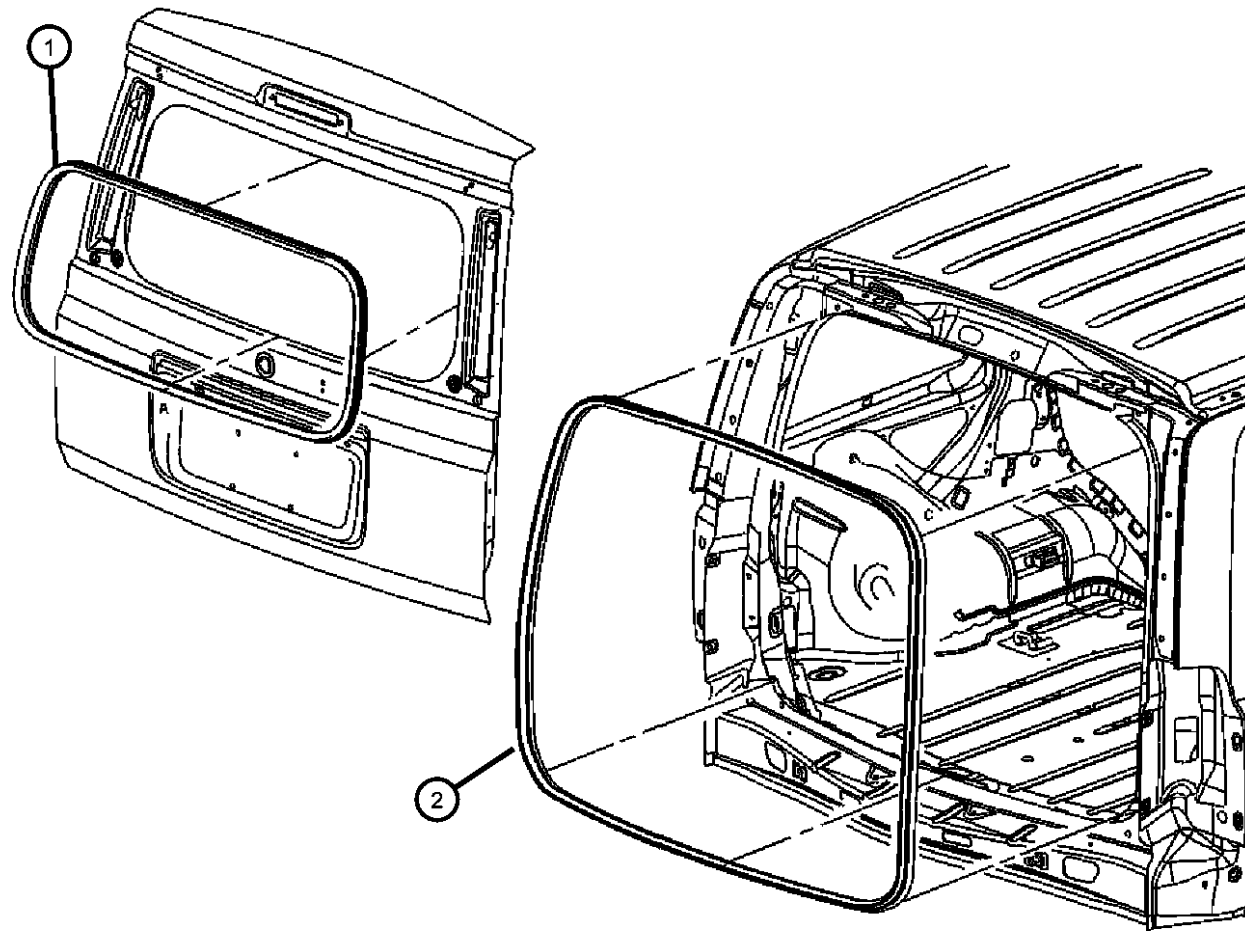
TRANSMISSION
DGQ = 5-Spd Automatic 5-45RFE Transmission
DGJ = 5-Speed Automatic MB Transmission

AR = use ase required - = Non illustrated part

2006 XK

Door, Rear Lift Gate
Figure DXK-630

ITEM	PART NUMBER	QTY	LINE	SERIES	BODY	ENGINE	TRANS	TRIM	DESCRIPTION
1	55369015AD	1							WEATHERSTRIP, Liftgate Glass
2	55396676AD	1							WEATHERSTRIP, Liftgate



NEW JEEP (XK)

SERIES LINE
H = HIGHLINE T = JEEP - 2WD
P = PREMIUM J = JEEP - 4WD

BODY
74 = SPORT UTILITY 4-DR

ENGINE
EKG = 3.7L V6 Engine
EVA = 4.7L V8 MPI Engine
EZB = 5.7L Hemi Multi
Displacement Engine

TRANSMISSION
DGQ = 5-Spd Automatic 5-45RFE
Transmission
DGJ = 5-Speed Automatic MB
Transmission

AR = use ase required - = Non illustrated part

2006 XK

Group - EXK

Exterior Ornamentation

Group - EXK Exterior Ornamentation

Illustration Title

Group-Fig. No.

Nameplates

Nameplates and DecalsFig. EXK - 110

Moldings and Ornamentation

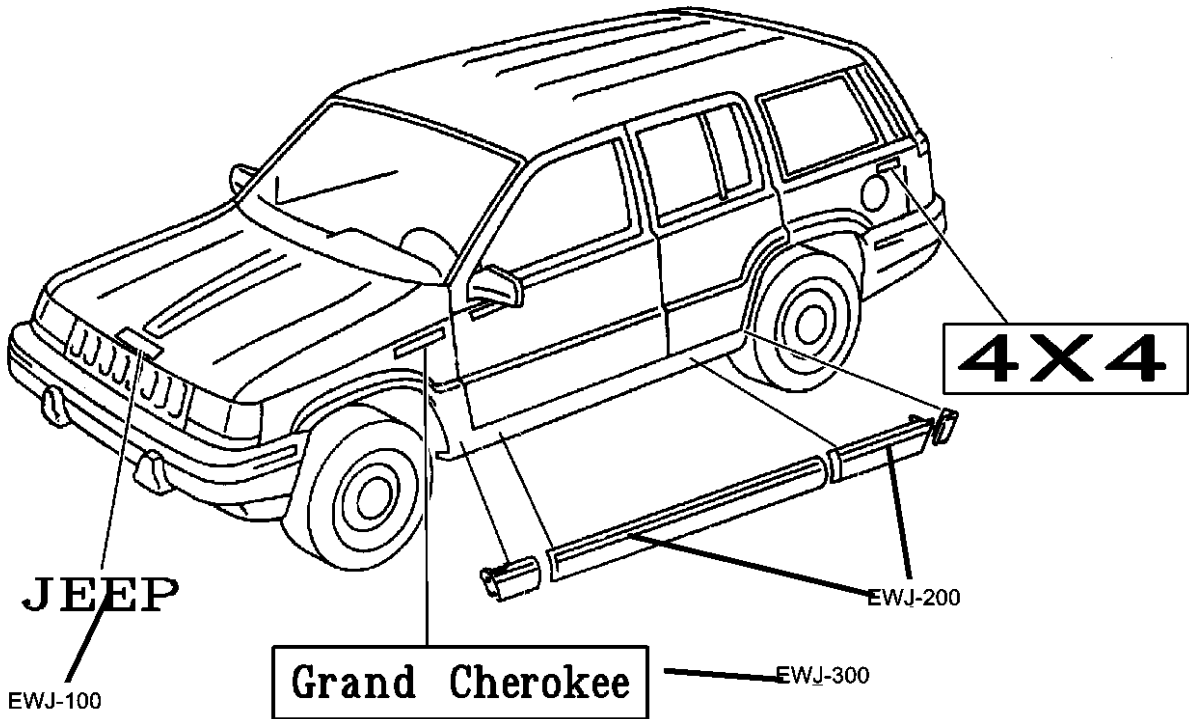
Molding - Roof/Windshield..... Fig. EXK - 210

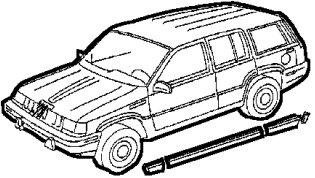
Molding - Doors/Sills Fig. EXK - 220

Applique/Flare Assembly Fig. EXK - 230

Wheel Liner Assy. Fig. EXK - 240

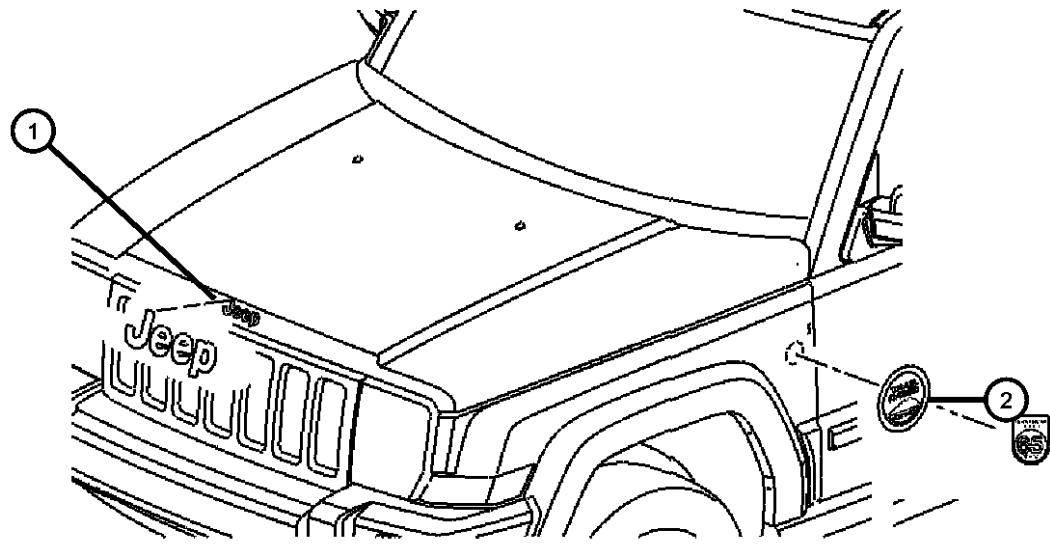
Handle and Cover Assembly Fig. EXK - 250



<p>EXK-100 Nameplates</p> <p>Grand Cherokee JEEP</p>	<p>EXK-200 Moldings and Ornamentation</p> 		
-----------------------------------------------------------------------------------	------------------------------------------------------------------------------------------------------------------------------------------	--	--

**Nameplates and Decals
Figure EXK-110**

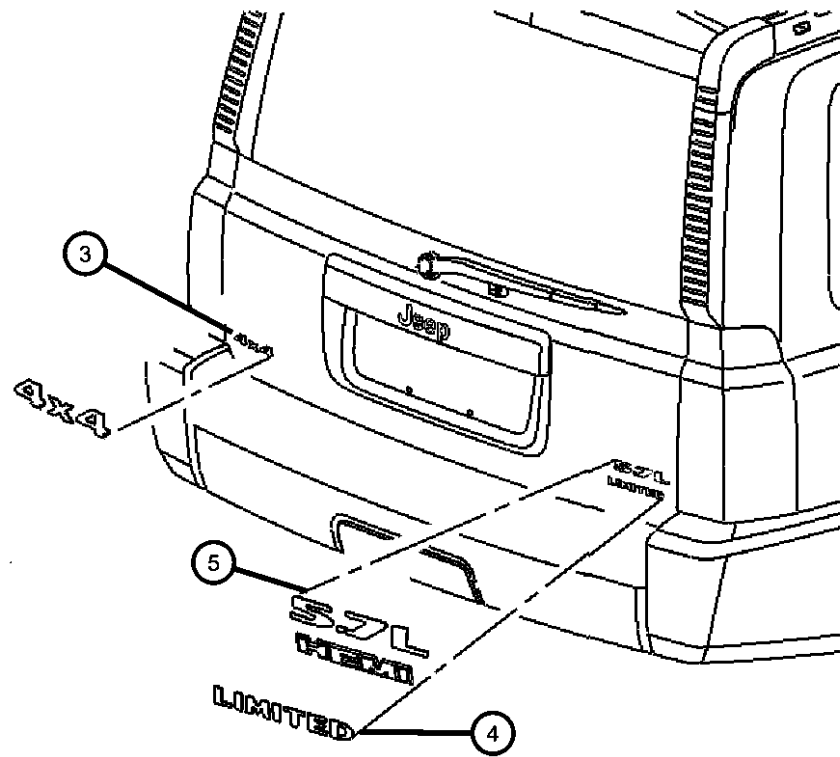
ITEM	PART NUMBER	QTY	LINE	SERIES	BODY	ENGINE	TRANS	TRIM	DESCRIPTION
------	-------------	-----	------	--------	------	--------	-------	------	-------------



NOTES: Sales Codes:

- [MTL] = 5.7L Badge
- [MT2] = Trail Rated Badge
- [MVA] = Limited Badge
- [MVC] = Jeep Badge
- [MWT] = 4x4 Badge

1	55157088AB	1							NAMEPLATE, Jeep
2	55157317AB	1							MEDALLION, Trail Rated
3	55157091AB	1							NAMEPLATE, 4X4
4	55157090AB	1							NAMEPLATE, Limited
5	55157454AA	1							NAMEPLATE, HEMI, 5.7L
-6	55373001AA	2	J, T		74				NAMEPLATE, 65 Anniversary Edition



NEW JEEP (XK)

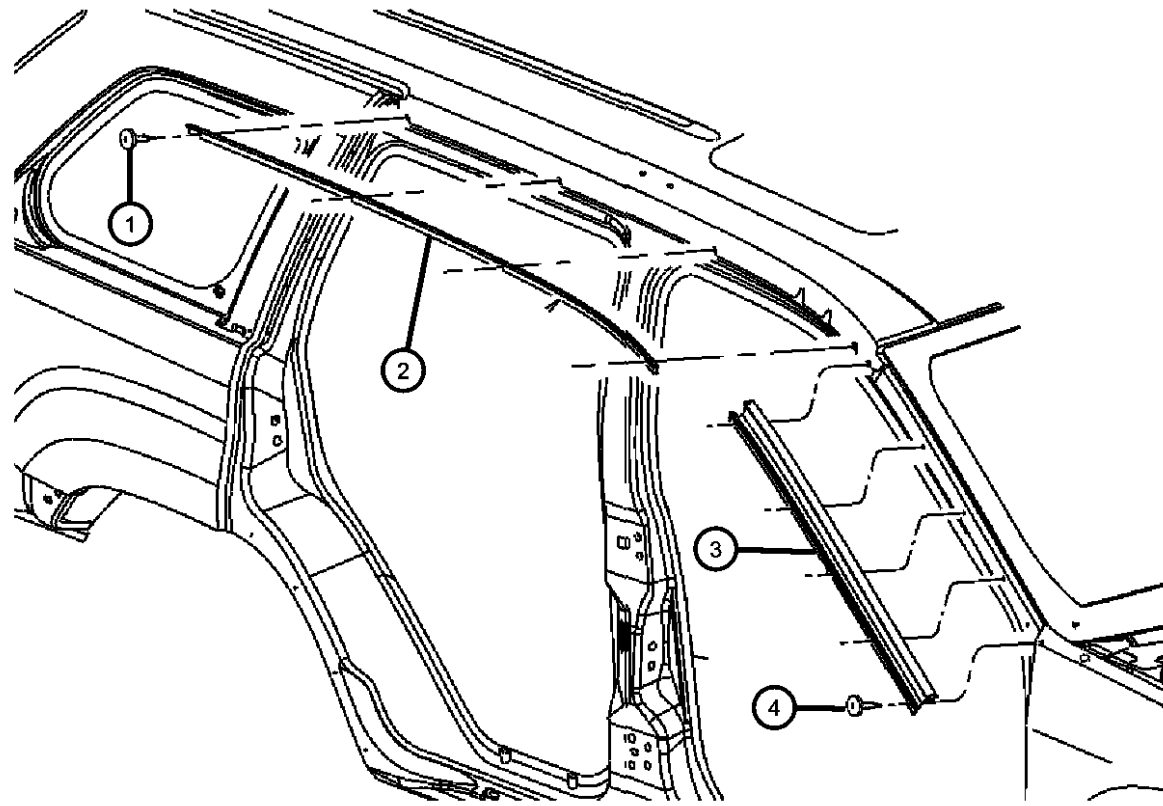
SERIES	LINE	BODY	ENGINE	TRANSMISSION
H = HIGHLINE	T = JEEP - 2WD	74 = SPORT UTILITY 4-DR	EKG = 3.7L V6 Engine	DGQ = 5-Spd Automatic 5-45RFE Transmission
P = PREMIUM	J = JEEP - 4WD		EVA = 4.7L V8 MPI Engine	DGJ = 5-Speed Automatic MB Transmission
			EZB = 5.7L Hemi Multi Displacement Engine	

AR = use ase required - = Non illustrated part

2006 XK

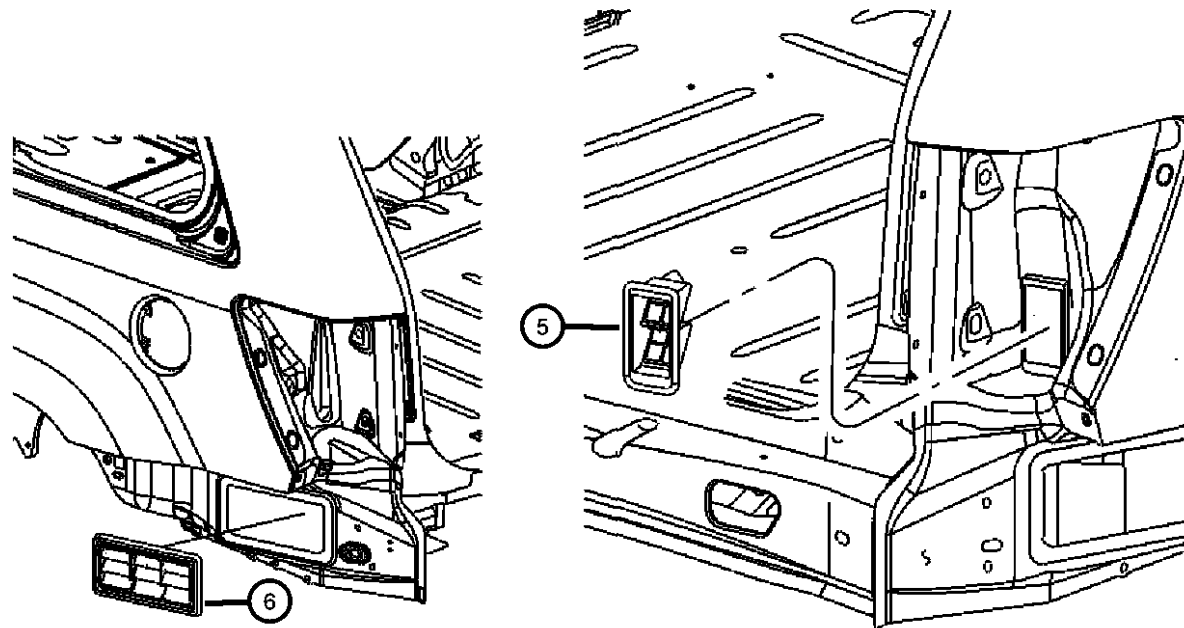
Molding - Roof/Windshield
Figure EXK-210

ITEM	PART NUMBER	QTY	LINE	SERIES	BODY	ENGINE	TRANS	TRIM	DESCRIPTION
------	-------------	-----	------	--------	------	--------	-------	------	-------------



NOTES: Sales Codes:
[MHA] = Black Windshield Moldings

1	06104566AA	10							SCREW, Tapping, Rear Retainer Seal to Body
2									SEAL, Retainer
	55369038AE	1							A to C Pillar, Right
	55369039AE	1							A to C Pillar, Left
3									MOLDING, Windshield
	55396582AD	1							A-Pillar, Right
	55396583AD	1							A-Pillar, Left
4	55396583AD	1							SCREW, .164-15x.500, (NOT SERVICED),
5	55136280AC	1							EXHAUSTER, Quarter Panel Right Side
6	55394330AB	1							EXHAUSTER, Bodyside Aperture Left Side



NEW JEEP (XK)

SERIES	LINE	BODY	ENGINE	TRANSMISSION
H = HIGHLINE	T = JEEP - 2WD	74 = SPORT UTILITY 4-DR	EKG = 3.7L V6 Engine	DGQ = 5-Spd Automatic 5-45RFE Transmission
P = PREMIUM	J = JEEP - 4WD		EVA = 4.7L V8 MPI Engine	DGJ = 5-Speed Automatic MB Transmission
			EZB = 5.7L Hemi Multi Displacement Engine	

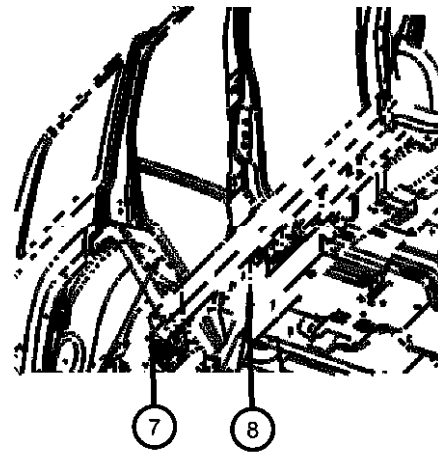
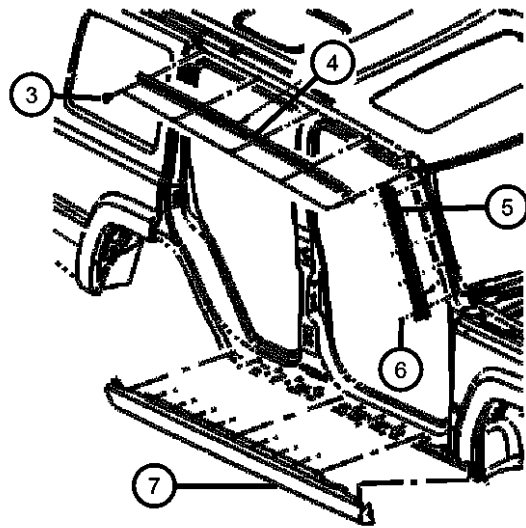
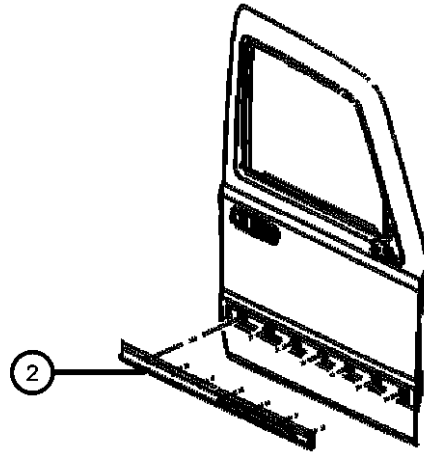
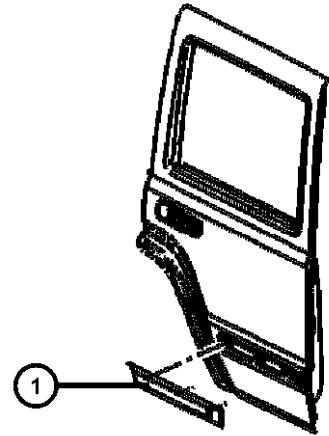
AR = use ase required - = Non illustrated part

2006 XK

Molding - Doors/Sills
Figure EXK-220

ITEM	PART NUMBER	QTY	LINE	SERIES	BODY	ENGINE	TRANS	TRIM	DESCRIPTION
------	-------------	-----	------	--------	------	--------	-------	------	-------------

NOTES: Sales Codes:
[MHA] = Black Windshield Moldings
[MJB] = Chrome Bodyside Moldings



1									MOLDING, Rear Door
	55157382AA	1							[MJB], Right
	55157383AA	1							[MJB], Left
	5JP72RXFAA	1							[K1Z], Right
	5JP73RXFAA	1							[K1Z], Left
2									MOLDING, Front Door
	55157380AA	1							[MJB], Right
	55157381AA	1							[MJB], Left
	5JP68RXFAA	1							[K1Z], Right
	5JP69RXFAA	1							[K1Z], Left
3	06104566AA	10							SCREW, Tapping, Rear Retainer Seal to Body
4									SEAL, Retainer
	55369038AE	1							A to C Pillar, Rear Right
	55369039AE	1							A to C Pillar, Rear Left
5									MOLDING, Windshield
	55396582AD	1							[MHA] A Pillar, Right
	55396583AD	1							[MHA] A Pillar, Left
6	55396583AD	1							SCREW, (NOT SERVICED),
7									MOLDING, Sill Cover
	5JP78RXFAC	1							Outside Right [K5Z]
	5JP79RXFAC	1							Outside Left [K5Z]
8	06500911	16							RIVET, M6.25x28, Sill Molding to Body
-9									APPLIQUE, D Pillar
	5JU48RXFAC	1							Right
	5JU49RXFAC	1							Left

NEW JEEP (XK)

SERIES LINE
H = HIGHLINE T = JEEP - 2WD
P = PREMIUM J = JEEP - 4WD

BODY
74 = SPORT UTILITY 4-DR

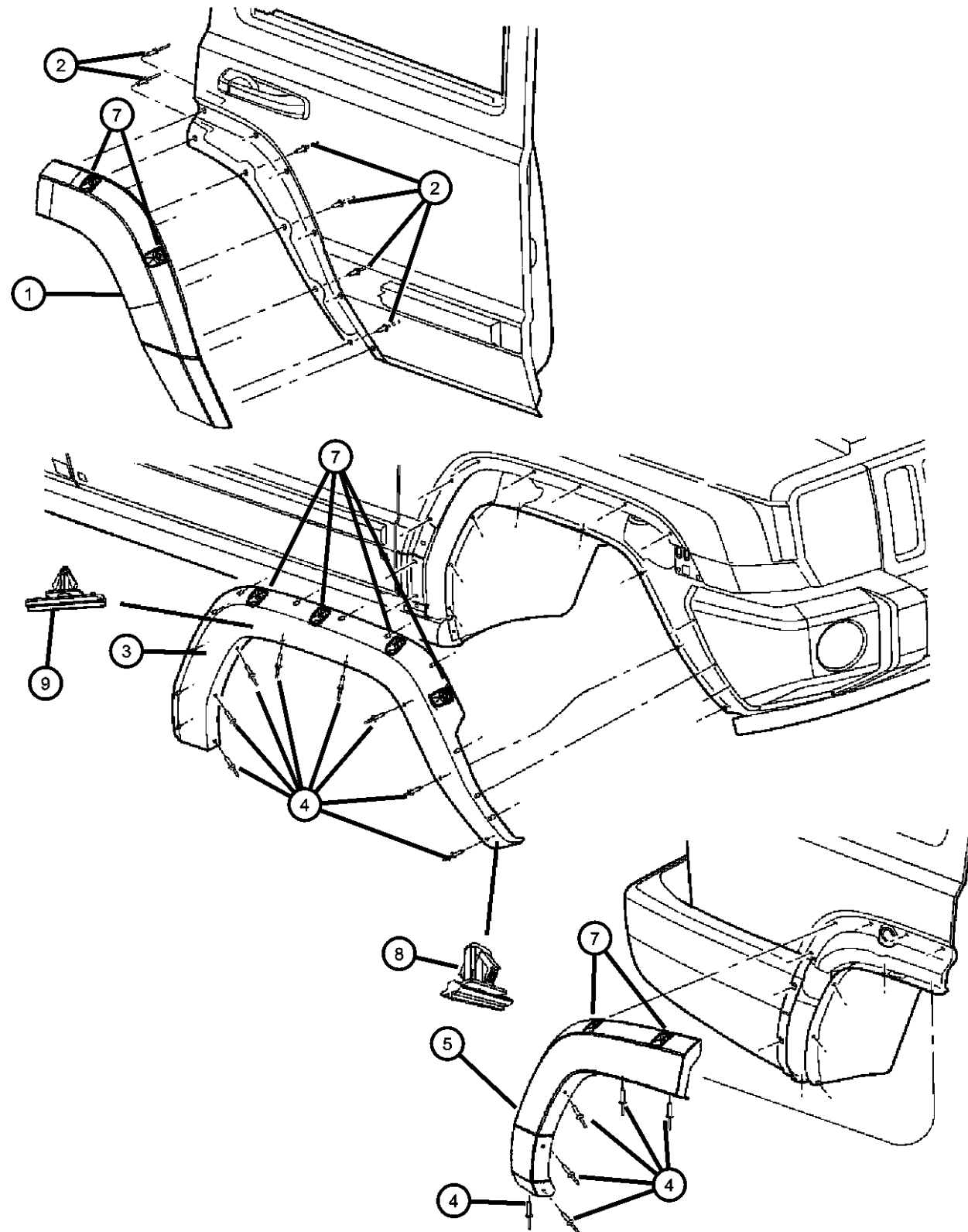
ENGINE
EKG = 3.7L V6 Engine
EVA = 4.7L V8 MPI Engine
EZB = 5.7L Hemi Multi Displacement Engine

TRANSMISSION
DGQ = 5-Spd Automatic 5-45RFE Transmission
DGJ = 5-Speed Automatic MB Transmission

AR = use ase required - = Non illustrated part

2006 XK

**Applique/Flare Assembly
Figure EXK-230**



ITEM	PART NUMBER	QTY	LINE	SERIES	BODY	ENGINE	TRANS	TRIM	DESCRIPTION
1									APPLIQUE, Rear Door
	5JP90TZZAD	1							[K4], Right
	5JP91TZZAD	1							[K4], Left
	5JX34TZZAD	1							[K6], Right
	5JX35TZZAD	1							[K6], Left
2	06004212	12							RIVET, Blind Expansion (R-Lok)
3									APPLIQUE, Fender Wheel Opening
	5JP82TZZAC	1							[K4], Right
	5JP83TZZAC	1							[K4], Left
	5JX26TZZAC	1							[K6], Right
	5JX27TZZAC	1							[K6], Left
4	06500911	16							RIVET, M6.25x28
5									APPLIQUE, Rear Wheel Opening
	5JP86TZZAC	1							[K4], Right
	5JP87TZZAC	1							[K4], Left
	5JX30TZZAC	1							[K6], Right
	5JX31TZZAC	1							[K6], Left
-6									CLIP, Trim
	05189180AA	2							Black Fascia Clip
	05189181AA	5							Large Black Clip
7	05140834AB	1							ORNAMENT, Wheel Flare, Package of 5
8	05189180AA	3							CLIP, Trim
9	05189181AA	9							CLIP, Trim
-10	05189182AA	1							GASKET, Foam Gasket For Clips

NEW JEEP (XK)

SERIES LINE
H = HIGHLINE T = JEEP - 2WD
P = PREMIUM J = JEEP - 4WD

BODY
74 = SPORT UTILITY 4-DR

ENGINE
EKG = 3.7L V6 Engine
EVA = 4.7L V8 MPI Engine
EZB = 5.7L Hemi Multi Displacement Engine

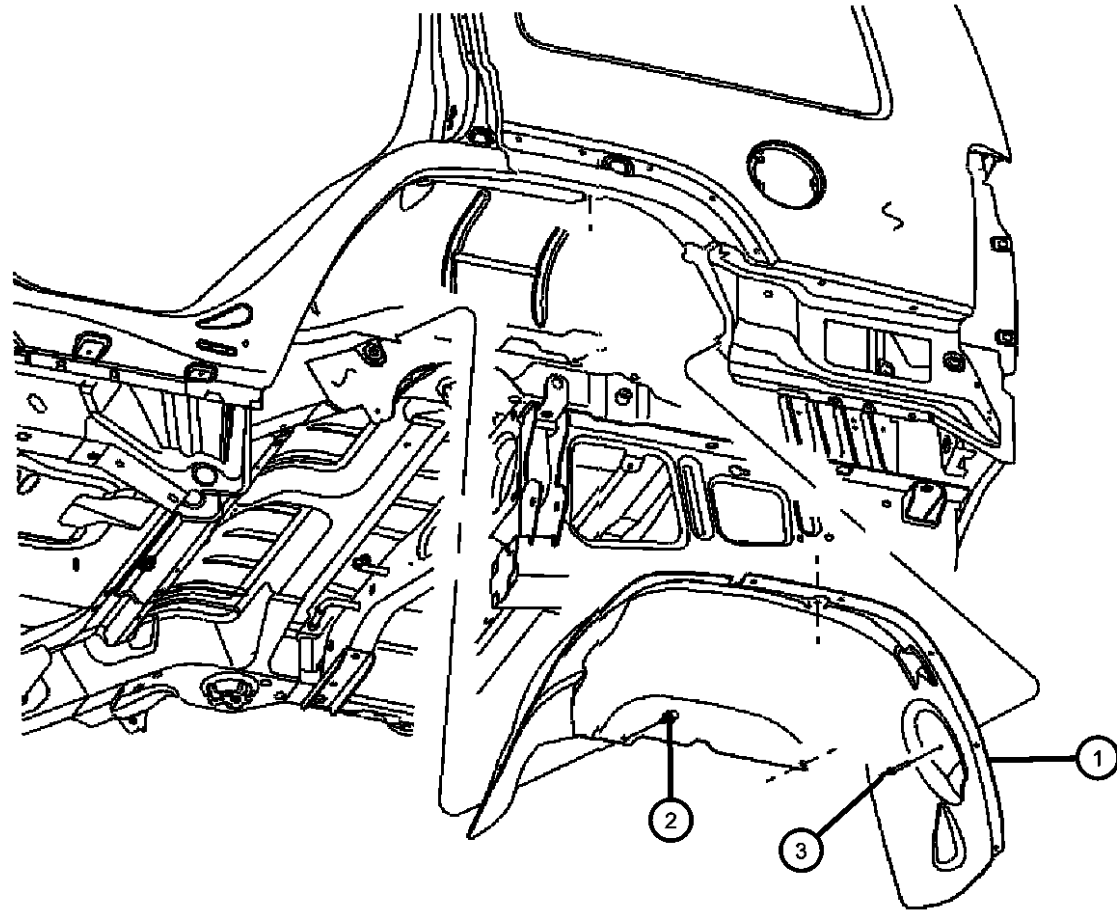
TRANSMISSION
DGQ = 5-Spd Automatic 5-45RFE Transmission
DGJ = 5-Speed Automatic MB Transmission

AR = use ase required - = Non illustrated part

2006 XK

Wheel Liner Assy.
Figure EXK-240

ITEM	PART NUMBER	QTY	LINE	SERIES	BODY	ENGINE	TRANS	TRIM	DESCRIPTION
1	55396466AB	1							SHIELD, Fender Rear Right
	55396467AB	1							Rear Left
2	34201621	4							RIVET, M6.3x37.40, Wheel Line to Rail
3	06500911	4							RIVET, M6.25x28, Wheel Line to Panel



NEW JEEP (XK)

SERIES LINE
H = HIGHLINE T = JEEP - 2WD
P = PREMIUM J = JEEP - 4WD

BODY
74 = SPORT UTILITY 4-DR

ENGINE
EKG = 3.7L V6 Engine
EVA = 4.7L V8 MPI Engine
EZB = 5.7L Hemi Multi Displacement Engine

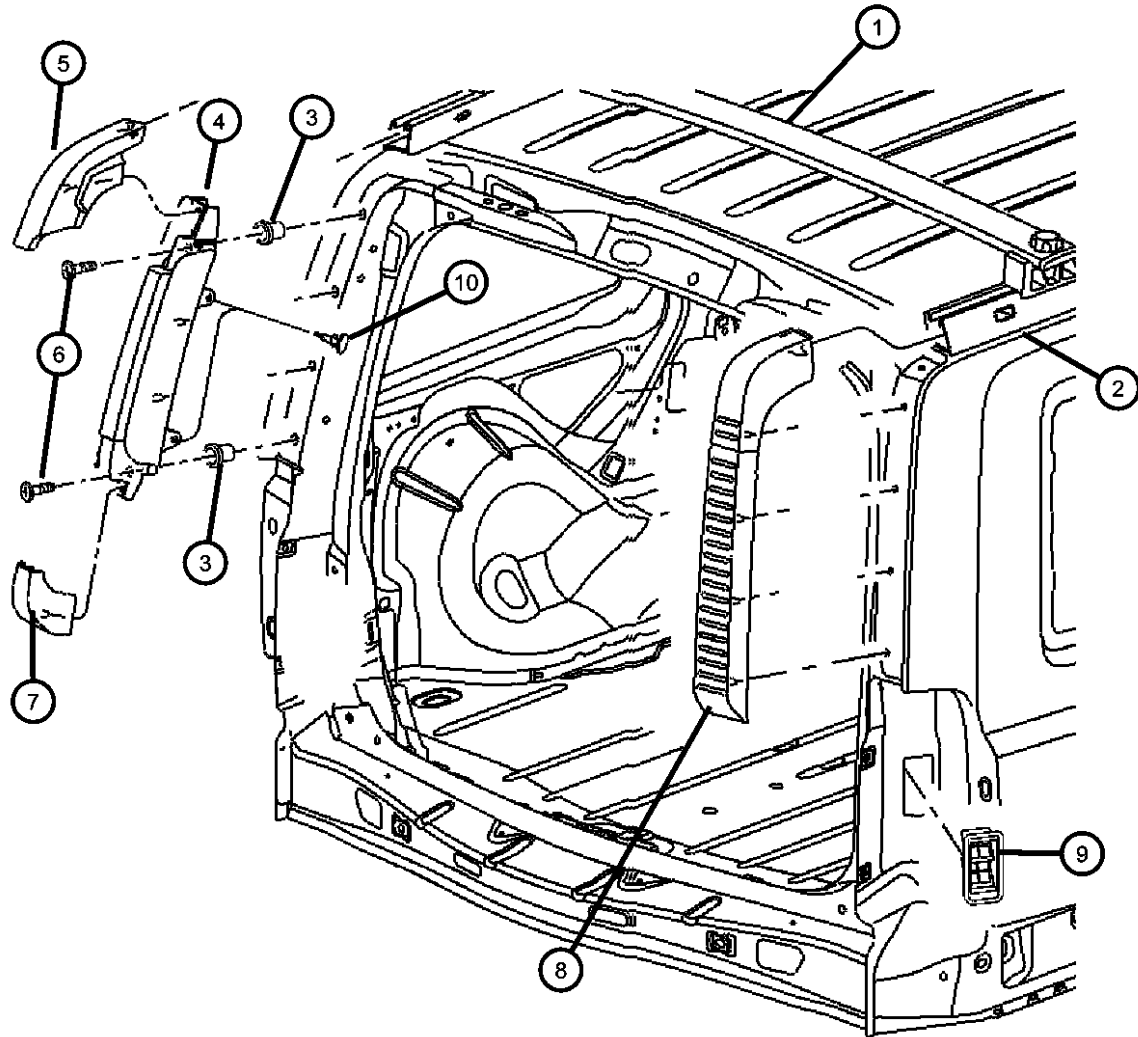
TRANSMISSION
DGQ = 5-Spd Automatic 5-45RFE Transmission
DGJ = 5-Speed Automatic MB Transmission

AR = use ase required - = Non illustrated part

2006 XK

**Handle and Cover Assembly
Figure EXK-250**

ITEM	PART NUMBER	QTY	LINE	SERIES	BODY	ENGINE	TRANS	TRIM	DESCRIPTION
NOTES: Sales Codes: [CST] = Exterior Assist Handle [MWE] = Side Roof Rail [NWF] = Adjustable Roof Rail Crossbars [MW1] = Bright Side Roof Rail									
1	55156988AA	1							RAIL, LUGG RACK CROSS [MWF], Front
	55156989AA	1							[MWF], Rear
2	55156984AD	1							RAIL, Roof [MW1], Right
	55156985AD	1							[MW1], Left
	55396646AD	1							[MWE], Right
	55396647AD	1							[MWE], Left
3	06508202AA	10							RIVNUT, Installation Attach Roof Rack to Roof
		4							D-Pillar Applique to Body
4	5JU46RXFAC	1							HANDLE, D Pillar Includes Chrome Cap, Right
	5JU47RXFAC	1							Includes Chrome Cap, Left
5	5KE20RXFAC	1							COVER, Handle Upper Right
	5KE21RXFAC	1							Upper Left
6	06508390AA	10							SCREW Attach Side Rail Assy. to Roof
		4							D-Pillar Applique to Body
7	5KE22RXFAC	1							COVER, Handle Lower Right
	5KE23RXFAC	1							Lower Left
8	5JU48RXFAC	1							APPLIQUE, D Pillar Right
	5JU49RXFAC	1							Left
9	55136280AC	1							EXHAUSTER, Quarter Panel
10	55157429AA	4							PIN, Push



NEW JEEP (XK)

SERIES LINE
H = HIGHLINE T = JEEP - 2WD
P = PREMIUM J = JEEP - 4WD

BODY
74 = SPORT UTILITY 4-DR

ENGINE
EKG = 3.7L V6 Engine
EVA = 4.7L V8 MPI Engine
EZB = 5.7L Hemi Multi
Displacement Engine

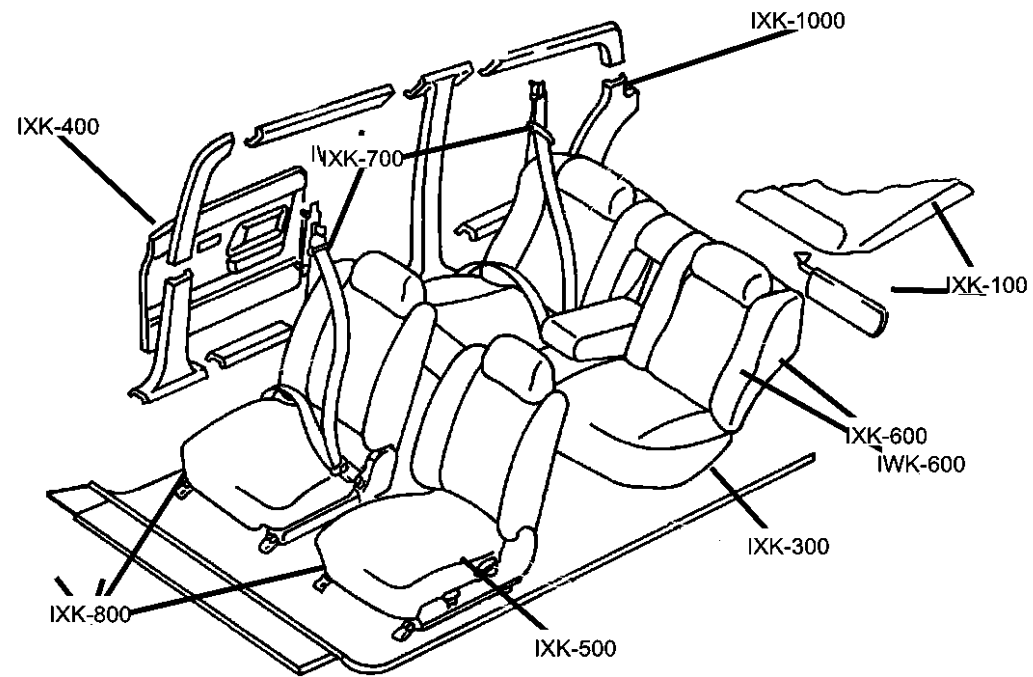
TRANSMISSION
DGQ = 5-Spd Automatic 5-45RFE
Transmission
DGJ = 5-Speed Automatic MB
Transmission

AR = use ase required - = Non illustrated part

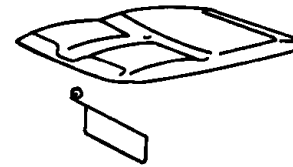
2006 XK

Group - IXK

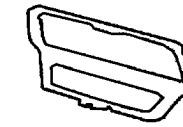
Interior Trim



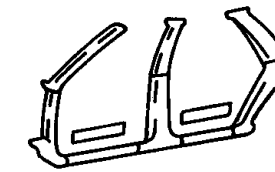
IXK-100
Headliner and Visor



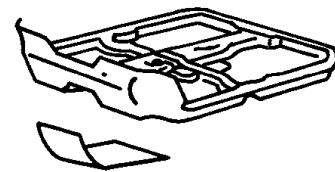
IXK-1000
Lift Gate Trim



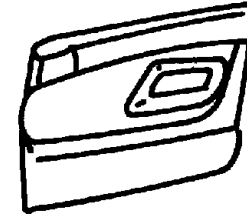
IXK-200
Panel - Mouldings, Scuff Plates



IXK-300
Carpet



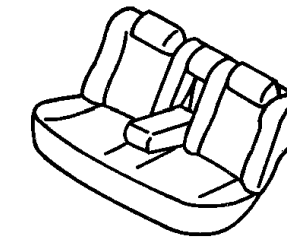
IXK-400
Door Trim Panels



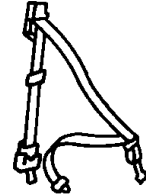
IXK-500
Front Seats and Attaching Parts



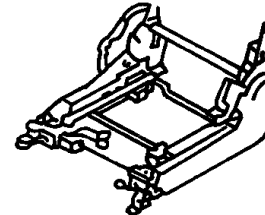
IXK-600
Rear Seats and Attaching Parts



IXK-700
Seat Belts - Front and Rear



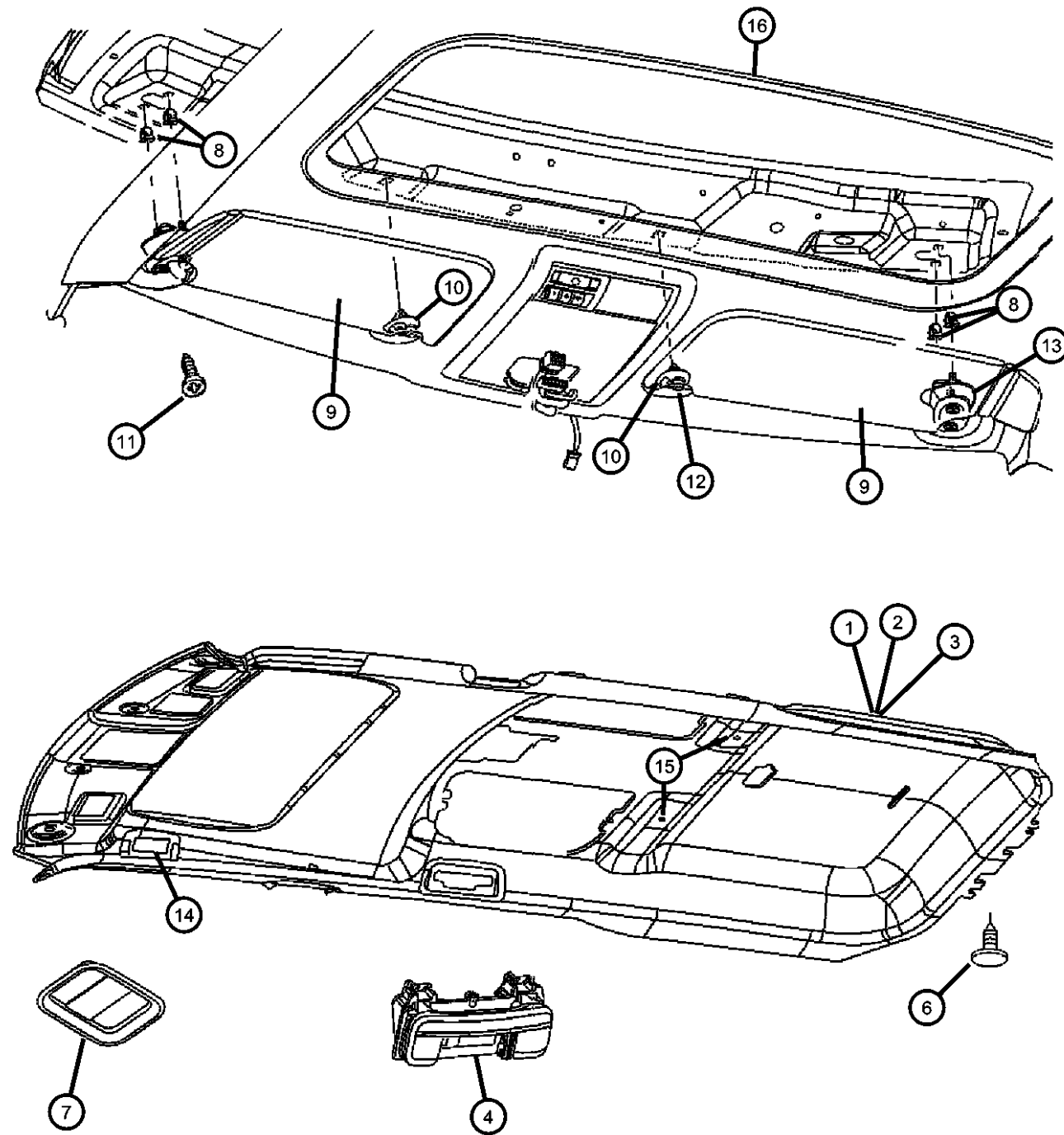
IXK-800
Adjusters, Covers, Shields and Risers



Group - IXK Interior Trim

Illustration Title	Group-Fig. No.
Headliner and Visor	
Headliner, Sunvisors and Assist Handles	Fig. IXK - 110
Panel - Mouldings, Scuff Plates	
Front Trim Panels and Scuff Plates	Fig. IXK - 210
Rear Trim Panels	Fig. IXK - 220
Carpet	
Carpet and Load Floor	Fig. IXK - 310
Door Trim Panels	
Door Trim Panels	Fig. IXK - 405
Front Seats and Attaching Parts	
Front Seat, Cloth, Trim Code [K7]	Fig. IXK - 510
Front Seat, Cloth, Trim Code [L5]	Fig. IXK - 520
Front Seat, Leather, Trim Code [CL]	Fig. IXK - 530
Front Seat, Leather, Trim Code [SL]	Fig. IXK - 540
Rear Seats and Attaching Parts	
Second Seat Trim	Fig. IXK - 610
Second Seat Hardware	Fig. IXK - 620
Third Row	Fig. IXK - 630
Seat Belts - Front and Rear	
Front Seat Belts	Fig. IXK - 710
Second & Third Row Seat, Belts	Fig. IXK - 720
Adjusters, Covers, Shields and Risers	
Adjuster, Recliners, Drivers Seat	Fig. IXK - 810
Adjuster, Recliners, Power Passenger Seat	Fig. IXK - 820
Adjuster, Recliners, Manual Passenger Seat	Fig. IXK - 830
Lift Gate Trim	
Liftgate Panel and Scuff Plate	Fig. IXK - 1010

Headliner, Sunvisors and Assist Handles
Figure IXK-110



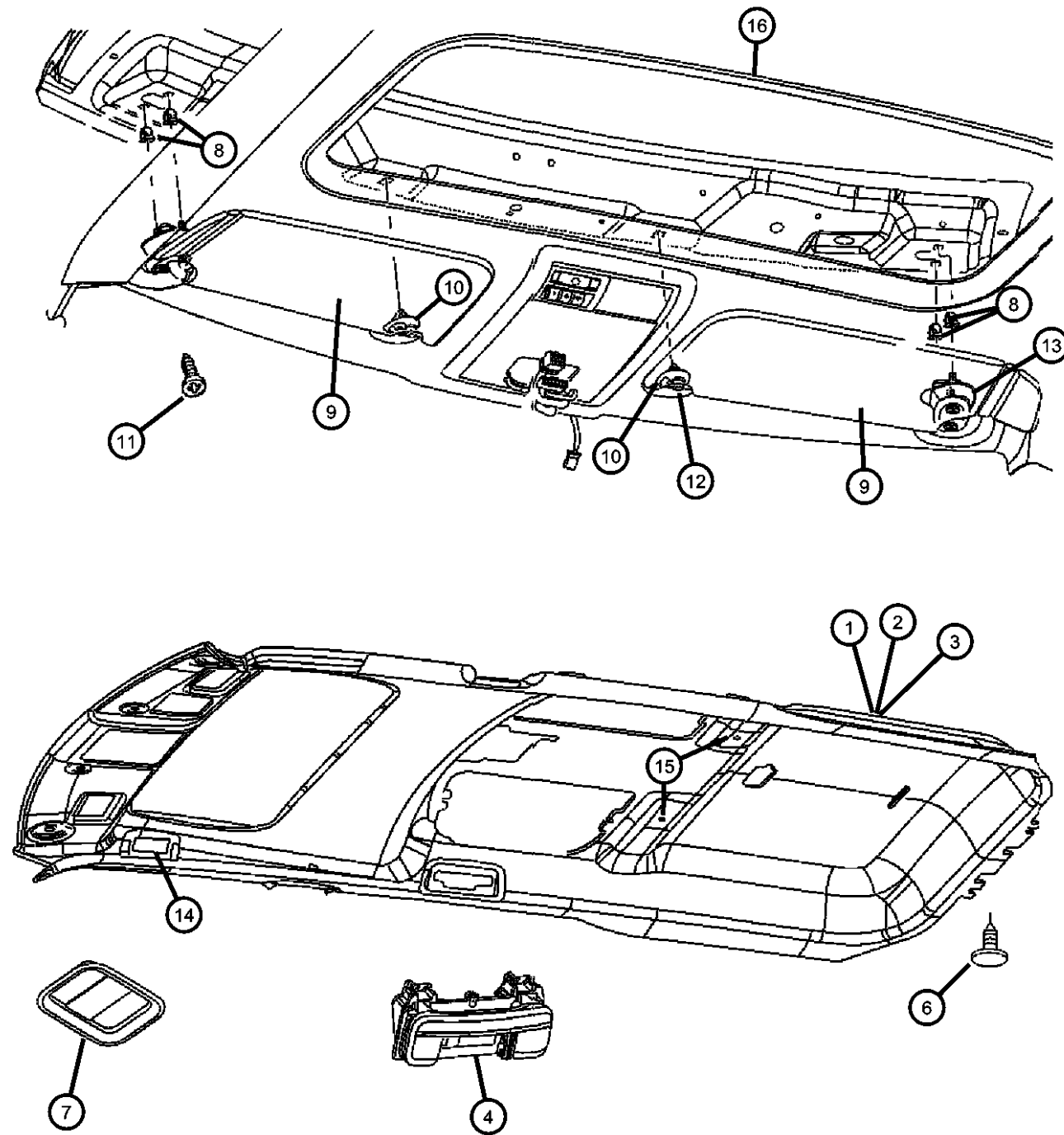
ITEM	PART NUMBER	QTY	LINE	SERIES	BODY	ENGINE	TRANS	TRIM	DESCRIPTION
Sales Codes :									
[CVE] = Overhead Console									
[GNC] = Illuminated Vanity Mirror									
[GNV] = Non Illuminated Visors									
[GWF] = Power Sunroof with Command View									
[JHA] = Intermittent Wipers									
[JHC] = Windshield Wiper, Rain Sensitive									
[RSP] = Uconnect Hands Free Communication									
1									HEADLINER, Without Sunroof
	1DE081D1AA	1						*00	With Intermittent Wipers [JHA], Without Overhead Console [CVE]
	1DE101D1AA	1						*00	With Overhead Console [CVE] and Intermittent Wipers [JHA]
	1DE011D1AA	1		H				*00	Without Overhead Console [CVE] and Intermittent Wipers [JHA]
2									HEADLINER, With Sunroof, [GWF], With Overhead Console, [CVE]
	1DD891D1AA	1						*00	With Intermittent Wipers [JHA], & Uconnect Hands Free Communication [RSP]
	1DD911D1AA	1						*00	With Rain Sensitive Wipers [JHC], & Uconnect Hands Free Communication [RSP]
	1DE071D1AA	1						*00	With Intermittent Wipers [JHA], Without Uconnect Hands Free Communication [RSP]
	1DE141D1AA	1						*00	With Rain Sensitive Wipers [JHC], Without Uconnect Hands Free Communication [RSP]
3									HEADLINER, With Sunroof, [GWF], Without Overhead Console, [CVE]
	1DE061D1AA	1						*00	With Intermittent Wipers [JHA], Without Uconnect Hands Free Communication [RSP]
	1DD881D1AA	1						*00	With Intermittent Wipers [JHA], & Uconnect Hands Free Communication [RSP]
	1DD921D1AA	1						*00	With Rain Sensitive Wipers [JHC], & Uconnect Hands Free Communication [RSP]
	1DE181D1AA	1						*00	With Rain Sensitive Wipers [JHC], Without Uconnect Hands Free Communication [RSP]
4									HANDLE, Roof Grab
	1AH101D1AA	1						*00	Right
	1AH111D1AA	1						*00	Left

NEW JEEP (XK)

SERIES	LINE	BODY	ENGINE	TRANSMISSION
H = HIGHLINE	T = JEEP - 2WD	74 = SPORT UTILITY 4-DR	EKG = 3.7L V6 Engine	DGQ = 5-Spd Automatic 5-45RFE
P = PREMIUM	J = JEEP - 4WD		EVA = 4.7L V8 MPI Engine	Transmission
			EZB = 5.7L Hemi Multi Displacement Engine	DGJ = 5-Speed Automatic MB Transmission

AR = use ase required - = Non illustrated part

Headliner, Sunvisors and Assist Handles
Figure IXK-110



ITEM	PART NUMBER	QTY	LINE	SERIES	BODY	ENGINE	TRANS	TRIM	DESCRIPTION
-5	05073251AA	1						*00	CLIP, Z-Axis, Roof Handle Attaching Clip
6	06503943	3							RETAINER
7	1BK28BD1AC	1						*00	PLUG, Headliner, Bin Behind The Sunvisor.Has an Elastic Strap, With [GWF] Power Sunroof.
8	06036480AA	4							NUT, Push, .164-18
9									VISOR
	1DD701D1AA	1						*00	With Illuminated Vanity Mirror [GNC], Right
	1DD711D1AA	1						*00	With Illuminated Vanity Mirror [GNC], Left
	1DD961D1AA	1		H				*00	With Vanity Mirror [GNV], Right
	1DD971D1AA	1		H				*00	With Vanity Mirror [GNV], Left
10	1AL251D1AA	2						*00	SUPPORT, Visor
11	06036610AA	4						*00	SCREW, Trim
12	06035602	2						*00	SCREW
13	05139219AA	2						*00	RETAINER, Visor
14									LENS
	05137528AA	1						*00	Right
	05137529AA	1						*00	Left
15	68002483AA	2	J, T				74	*00	PLUG
16	1DD751D1AA	1						*00	RING, Trim

NEW JEEP (XK)

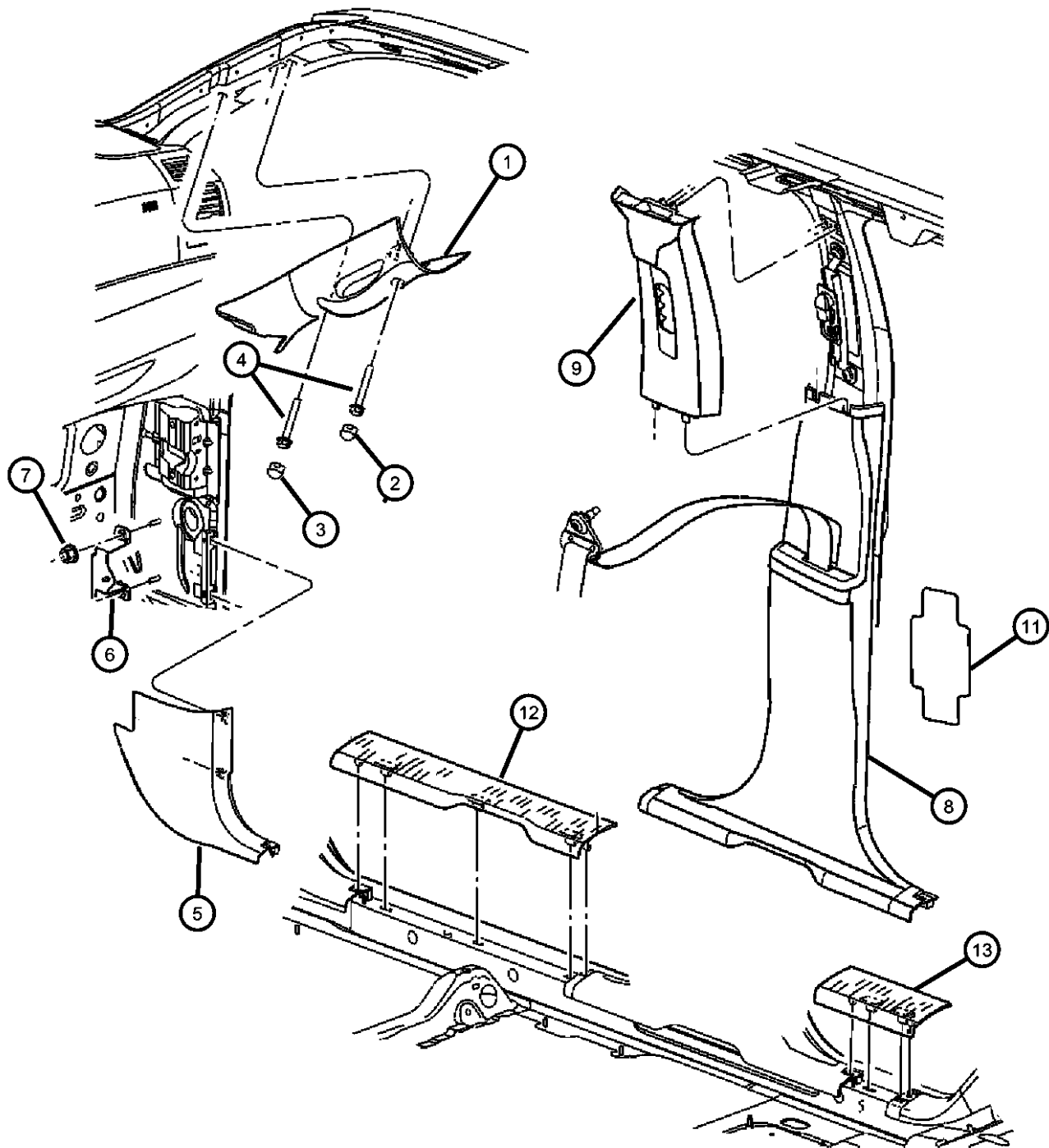
SERIES	LINE	BODY	ENGINE	TRANSMISSION
H = HIGHLINE	T = JEEP - 2WD	74 = SPORT UTILITY 4-DR	EKG = 3.7L V6 Engine	DGQ = 5-Spd Automatic 5-45RFE
P = PREMIUM	J = JEEP - 4WD		EVA = 4.7L V8 MPI Engine	Transmission
			EZB = 5.7L Hemi Multi Displacement Engine	DGJ = 5-Speed Automatic MB Transmission

AR = use ase required - = Non illustrated part

2006 XK

Front Trim Panels and Scuff Plates
Figure IXK-210

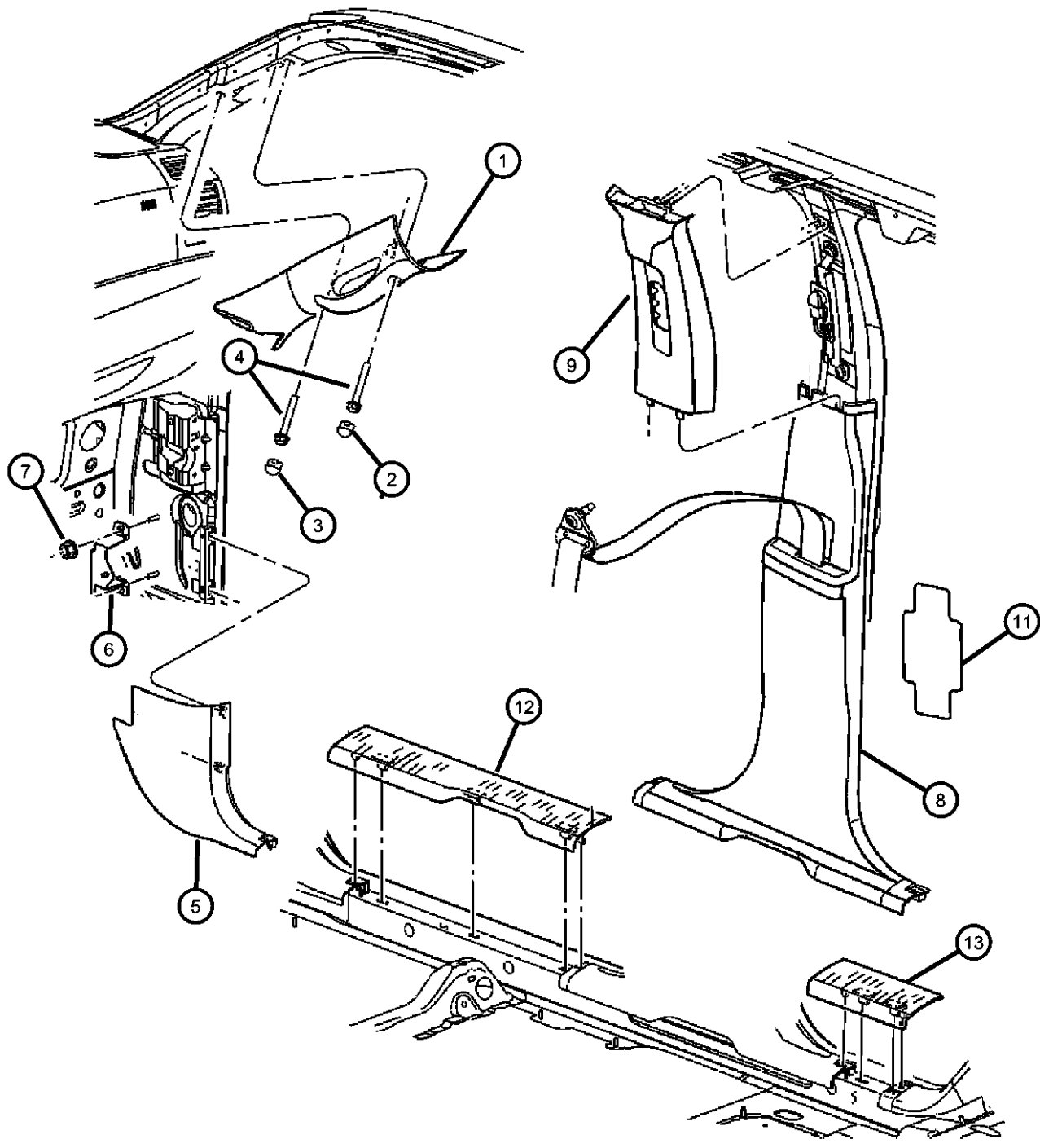
ITEM	PART NUMBER	QTY	LINE	SERIES	BODY	ENGINE	TRANS	TRIM	DESCRIPTION
1	5JP14BDXAB	1						*O0	MOLDING, A-PILLAR Right
	5JP15BDXAB	1						*O0	Left
2	1ER44BDXAA	1						*O0	PLUG, A Pillar Garnish Upper Right
	1ER45BDXAA	1						*O0	Upper Left
3	1ER46BDXAA	1						*O0	PLUG, A Pillar Garnish Lower Right
	1ER47BDXAA	1						*O0	Lower Left
4	06105043AA	4							SCREW, Trim
5	1CL27BD1AB	1	J, T		74			*O0	PANEL, Cowl Side Trim [D1], Left
	5HQ14BD1AG	1						*O0	[J1], Right
	1CL27BD1AA	1						*O0	[J1], Left
	1CL27BD5AA	1						*O0	[D5], Left
	1CL27ZJ3AA	1						*O0	[J3], Left
			1					*O0	[D1], Right
		5HQ14BD5AG	1					*O0	[D5], Right
	5HQ14ZJ3AG	1					*O0	[J3], Right	
6	55352902AD	1							BRACKET, Cowl
7	06503825	2							NUT AND WASHER, Hex Nut-Coned Washer, M6 x 1.00
8	5JP20BD1AD	1						*O0	PANEL, B Pillar Lower Trim [D1], Right
		1						*O0	[J1], Right
	5JP20BD5AD	1						*O0	[D5], Right
	5JP21BD5AD	1						*O0	[D5], Left
	5JP21ZJ3AD	1						*O0	[J3], Left
	5JP20ZJ3AD	1						*O0	[J3], Right
	5JP21BD1AD	1						*O0	[D1], Left
		1					*O0	[J1], Left	
9	5JP19BDXAD	1						*O0	PANEL, B Pillar, Upper Screw Cover Serviced With Panel Only, Left
	5JP18BDXAD	1						*O0	Screw Cover Serviced With Panel Only, Right
-10									PLUG, B Pillar, Upper



NEW JEEP (XK)
 SERIES LINE BODY ENGINE TRANSMISSION
 H = HIGHLINE T = JEEP - 2WD 74 = SPORT UTILITY 4-DR EKG = 3.7L V6 Engine DGQ = 5-Spd Automatic 5-45RFE
 P = PREMIUM J = JEEP - 4WD EVA = 4.7L V8 MPI Engine Transmission
 EZB = 5.7L Hemi Multi DGJ = 5-Speed Automatic MB
 Displacement Engine Transmission

AR = use ase required - = Non illustrated part

Front Trim Panels and Scuff Plates
Figure IXK-210



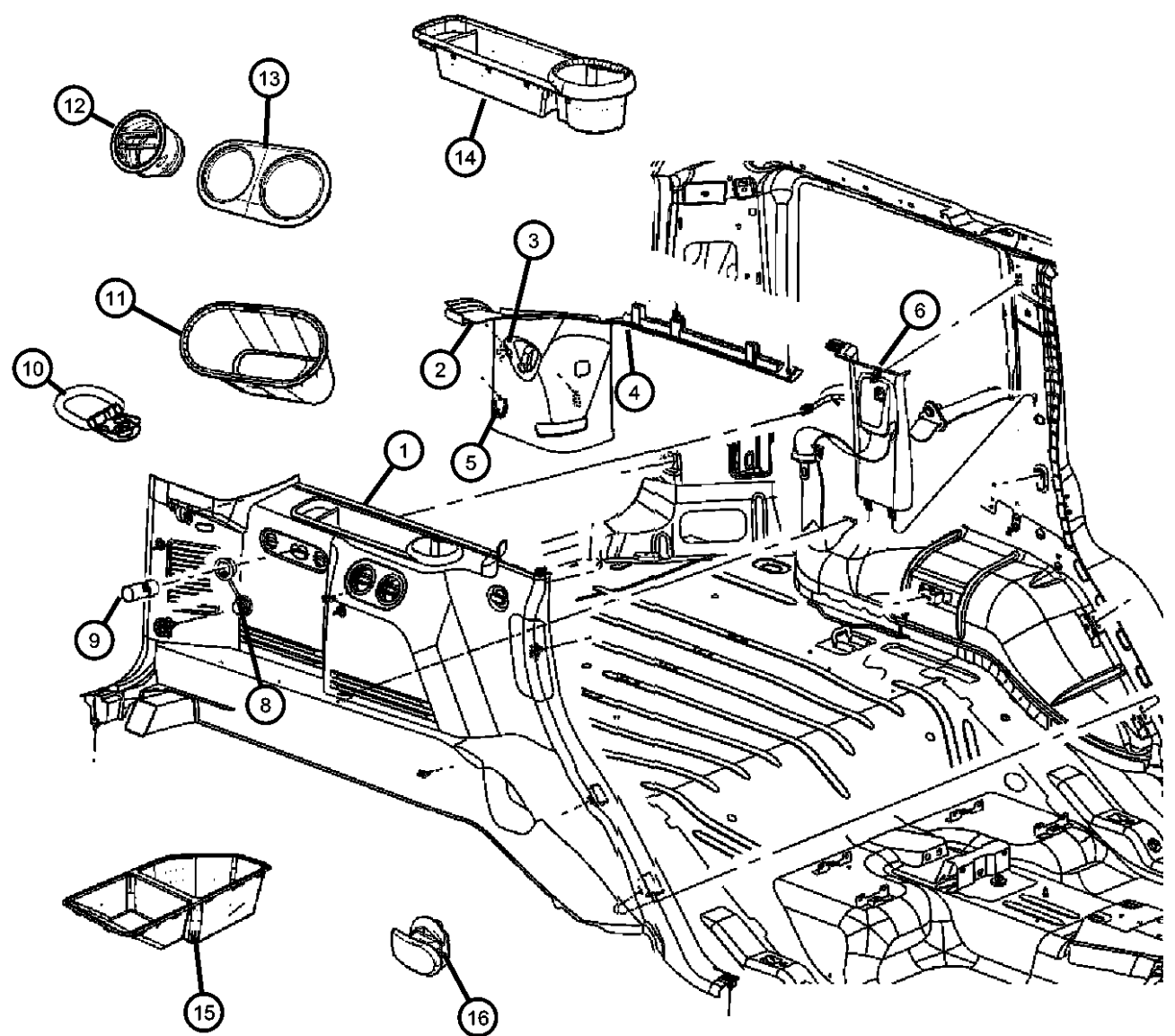
ITEM	PART NUMBER	QTY	LINE	SERIES	BODY	ENGINE	TRANS	TRIM	DESCRIPTION
	1GJ28BDXAA	1						*00	Right
	1GJ29BDXAA	1	J, T		74			*00	Left
11	55197032AA	1							SHIELD, Seat Belt Retractor
	55197033AA	1							Right
	55197033AA	1							Left
12	5JQ20BD5AB	1						*00	SILL COVER, Interior, Front
	5JQ20ZJ3AB	1						*00	[D5], Right
	5JQ21BD1AB	1						*00	[J3], Right
	5JQ21BD5AB	1						*00	[D1], Left
	5JQ21BD5AB	1						*00	[J1], Left
	5JQ21BD5AB	1						*00	[D5], Left
	5JQ20BD1AB	1						*00	[D1], Right
	5JQ21ZJ3AB	1						*00	[J1], Right
13	5JQ21ZJ3AB	1						*00	[J3], Left
	5JX64ZJ3AB	2						*00	SILL COVER, Interior, Rear
	5JX64BD1AB	2						*00	[J3]
	5JX64BD1AB	2						*00	[D1]
	5JX64BD5AB	2						*00	[J1]
	5JX64BD5AB	2						*00	[D5]

NEW JEEP (XK)

SERIES	LINE	BODY	ENGINE	TRANSMISSION
H = HIGHLINE	T = JEEP - 2WD	74 = SPORT UTILITY 4-DR	EKG = 3.7L V6 Engine	DGQ = 5-Spd Automatic 5-45RFE
P = PREMIUM	J = JEEP - 4WD		EVA = 4.7L V8 MPI Engine	Transmission
			EZB = 5.7L Hemi Multi Displacement Engine	DGJ = 5-Speed Automatic MB Transmission

AR = use ase required - = Non illustrated part

**Rear Trim Panels
Figure IXK-220**



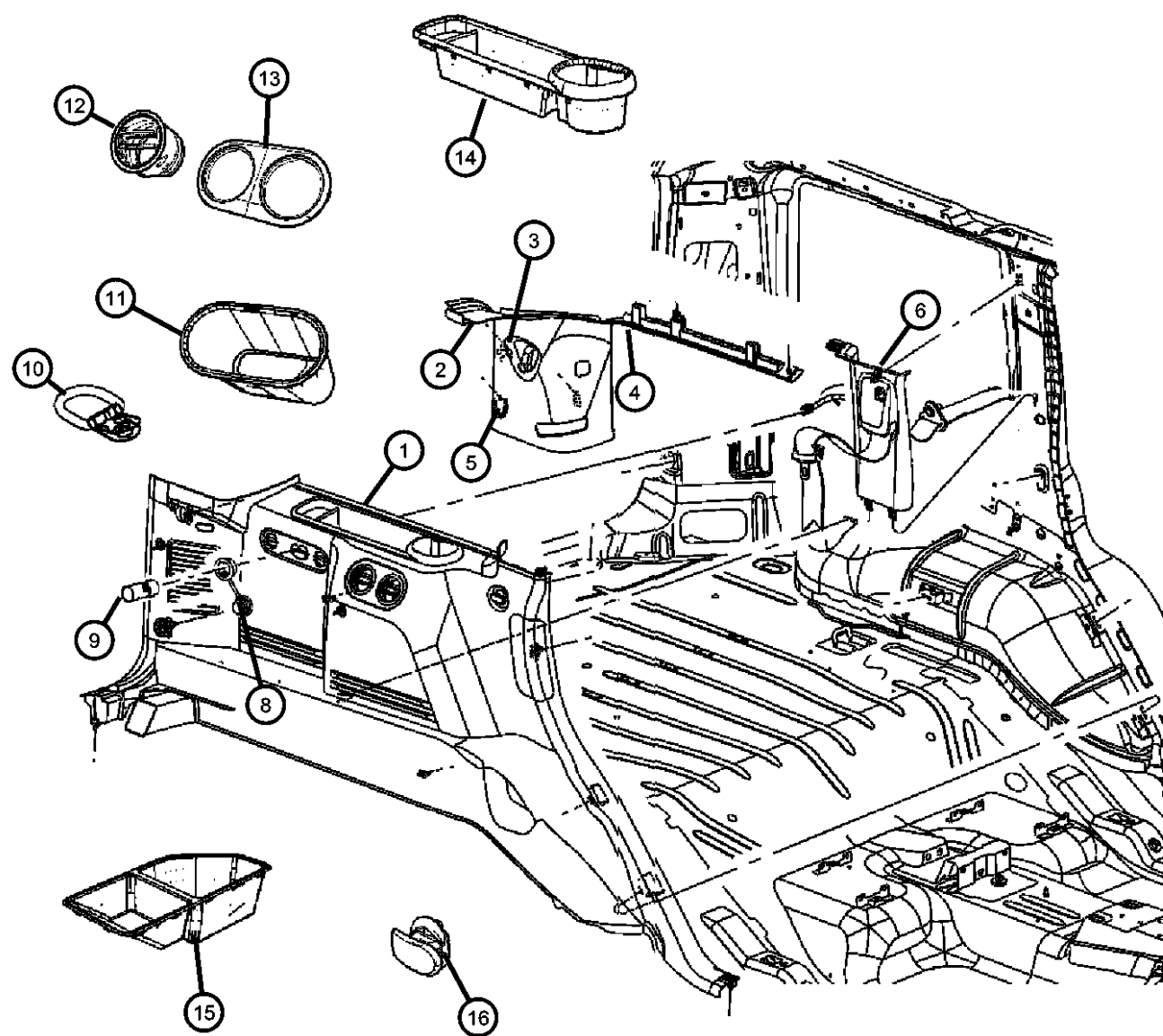
ITEM	PART NUMBER	QTY	LINE	SERIES	BODY	ENGINE	TRANS	TRIM	DESCRIPTION
NOTE: Sales Codes: [DG6]=4 Speed Automatic Transmission - 42RLE [2WD]=2 Wheel Drive [4WD]=4 Wheel Drive									
1									PANEL, Quarter Trim
	1FN051D5AA	1	J, T		74			*00	[D5] Without [HBB] Rear Air, Right
	1FN051J3AA	1	J, T		74			*00	[J3] Without [HBB] Rear Air, Right
	1FN151D1AA	1						*00	[D1] With [HBB] Rear Air, Right
	1FN161D5AA	1	J, T		74			*00	[D5] With or Without [HBB] Rear Air, Left
	1FN161J3AA	1	J, T		74			*00	[J3] With or Without [HBB] Rear Air, Left
	1FN151D5AA	1	J, T		74			*00	[D5] With [HBB] Rear Air, Right
	1FN151J3AA	1	J, T		74			*00	[J3] With [HBB] Rear Air, Right
	1FN161D1AA	1	J, T		74			*00	[D1] With or Without [HBB] Rear Air, Left
2									PANEL, D Pillar Trim
	1CL96BD1AB	1						*00	Right
	1CL97BD1AB	1						*00	Left
3	1ED82BD1AA	1						*00	PLUG, Release Handle Plug
4	1ED83BD1AA	1						*00	CAP
5									CAP
	1ED84BD1AA	1	J, T		74			*00	Right
	1ED85BD1AA	1						*00	Left
6									PANEL, C Pillar
	5JP30BD1AF	1						*00	Screw Cover Serviced With Panel Only, Right
	5JP31BD1AF	1						*00	Screw Cover Serviced With Panel Only, Left
-7	1GJ27BD1AA	1	J, T		74			*00	PLUG, C Pillar
8	04685668AA	1							MOUNT, Power Outlet
9	04793554AB	1							POWER OUTLET
10	05023205AC	1	J, T		74			*00	LOOP, Cargo Tie Down
11									BIN, Storage
	1FT091D5AA	1	J, T		74			*00	[D5]
	1FT091J3AA	1	J, T		74			*00	[J3]
12									AIR OUTLET, Quarter Trim

NEW JEEP (XK)

SERIES	LINE	BODY	ENGINE	TRANSMISSION
H = HIGHLINE	T = JEEP - 2WD	74 = SPORT UTILITY 4-DR	EKG = 3.7L V6 Engine	DGQ = 5-Spd Automatic 5-45RFE
P = PREMIUM	J = JEEP - 4WD		EVA = 4.7L V8 MPI Engine	Transmission
			EZB = 5.7L Hemi Multi Displacement Engine	DGJ = 5-Speed Automatic MB Transmission

AR = use ase required - = Non illustrated part

Rear Trim Panels
Figure IXK-220



ITEM	PART NUMBER	QTY	LINE	SERIES	BODY	ENGINE	TRANS	TRIM	DESCRIPTION
	1FZ351D1AA	1	J, T		74			*00	[D1]
		1	J, T		74			*00	[J1]
	1FZ351D5AA	1	J, T		74			*00	[D5]
	1FZ351J3AA	1	J, T		74			*00	[J3]
13									BEZEL, A/C Outlet
	1FN171D1AA	1	J, T		74			*00	[D1]
	1FN171D5AA	1	J, T		74			*00	[D5]
	1FN171J3AA	1	J, T		74			*00	[J3]
14									CUPHOLDER
	1FN141D1AA	1	J, T		74			*00	[D1]
	1FN141D5AA	1	J, T		74			*00	[D5]
	1FN141J3AA	1	J, T		74			*00	[J3]
15									BOX
	1FN951D5AA	1	J, T		74			*00	[D5]
	1FN951J3AA	1	J, T		74			*00	[J3]
16									TRIM, Grocery Hook
	1FN131D1AA	1	J, T		74			*00	[D1]
	1FN131D5AA	1	J, T		74			*00	[D5]
	1FN131J3AA	1	J, T		74			*00	[J3]
-17	68003350AA	1	J, T		74			*00	NET, Cargo, On Left Quarter Trim Panel
-18									HOOK, Cargo Net, Attaching Hook
	1HY811D1AA	2	J, T		74			*00	[D1] [J1]
	1HY811J3AA	2	J, T		74			*00	[J3]
	1HY811D5AA	2	J, T		74			*00	[D5]

NEW JEEP (XK)

SERIES LINE
H = HIGHLINE T = JEEP - 2WD
P = PREMIUM J = JEEP - 4WD

BODY
74 = SPORT UTILITY 4-DR

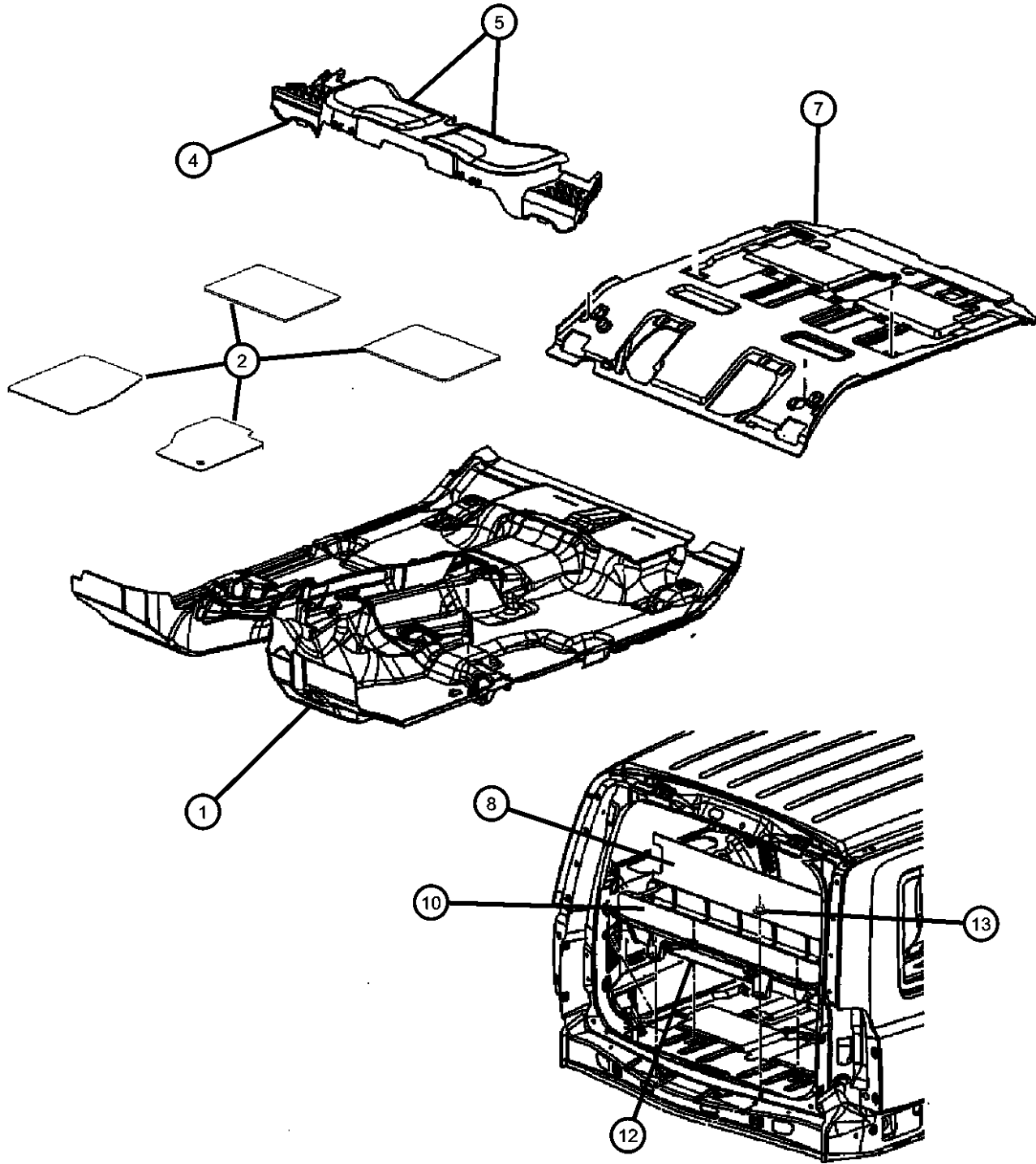
ENGINE
EKG = 3.7L V6 Engine
EVA = 4.7L V8 MPI Engine
EZB = 5.7L Hemi Multi Displacement Engine

TRANSMISSION
DGQ = 5-Spd Automatic 5-45RFE Transmission
DGJ = 5-Speed Automatic MB Transmission

AR = use ase required - = Non illustrated part

2006 XK

**Carpet and Load Floor
Figure IXK-310**



ITEM	PART NUMBER	QTY	LINE	SERIES	BODY	ENGINE	TRANS	TRIM	DESCRIPTION
1	5KC56XD-HAD	1						*00 [D5]	CARPET, Floor, Front
	5KC56XDVAD	1						*00 [D1]	
	5KC56ZJ8AD	1						*00 [J1]	
		1						*00 [J3]	
2	1EU731DHAA	1	J, T		74			*00 [D5]	MAT KIT, Floor
	1EU731J8AA	1	J, T		74			*00 [J3]	65th Anniversary Edition
	5HS62XD-HAD	1						*00 [D5]	
	5HS62XDVAD	1						*00 [D1]	
	5HS62ZJ8AD	1						*00 [J1]	
		1						*00 [J3]	
-3	55197048AB	1							FOOTREST
4	5KC46BD1AD	1						*00 [D1]	SUPPORT, Module Housing
		1						*00 [J1]	
	5KC46BD5AD	1						*00 [D5]	
	5KC46ZJ3AD	1						*00 [J3]	
5	5KC48XD-HAC	1						*00 [D5]	COVER, Module
	5KC48XDVAC	1						*00 [D1]	Right
	5KC48ZJ8AC	1						*00 [J1]	Right
		1						*00 [J3]	Right
	5KC49XD-HAC	1						*00 [D5]	Left
	5KC49XDVAC	1						*00 [D1]	Left
	5KC49ZJ8AC	1						*00 [J3]	Left
		1						*00 [J1]	Left
-6	06505984AA	1							NUT, Cover to Floor Pan
7	5JP60XDHAD	1						*00 [D5]	CARPET, Cargo Floor
	5JP60XDVAD	1						*00 [D1]	
	5JP60ZJ8AD	1						*00 [J1]	
		1						*00 [J3]	

NEW JEEP (XK)

SERIES LINE
H = HIGHLINE T = JEEP - 2WD
P = PREMIUM J = JEEP - 4WD

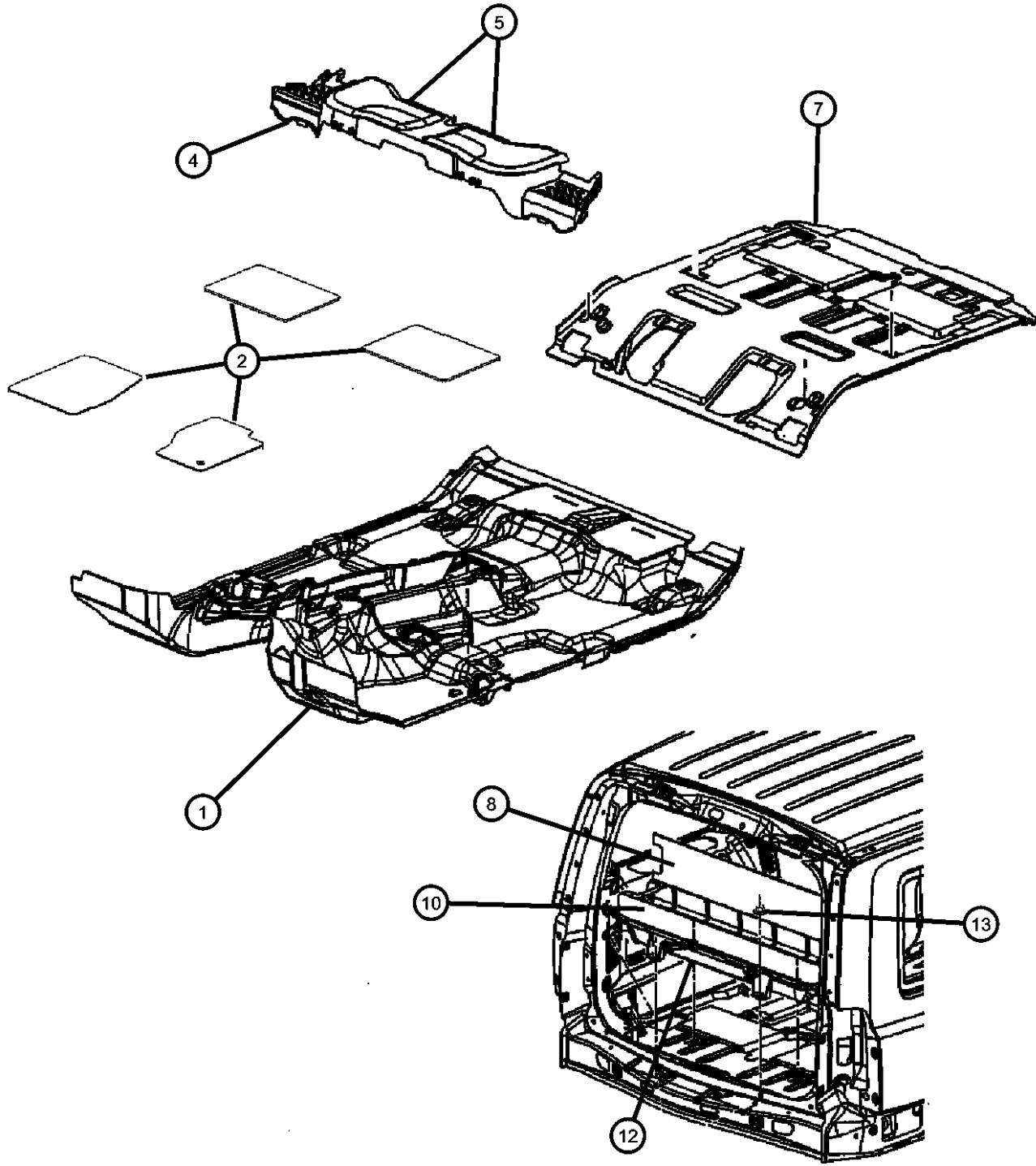
BODY
74 = SPORT UTILITY 4-DR

ENGINE
EKG = 3.7L V6 Engine
EVA = 4.7L V8 MPI Engine
EZB = 5.7L Hemi Multi Displacement Engine

TRANSMISSION
DGQ = 5-Spd Automatic 5-45RFE Transmission
DGJ = 5-Speed Automatic MB Transmission

AR = use ase required - = Non illustrated part

**Carpet and Load Floor
Figure IXK-310**



ITEM	PART NUMBER	QTY	LINE	SERIES	BODY	ENGINE	TRANS	TRIM	DESCRIPTION
8									LID, Load Floor
	5KC38BD1AD	1						*O0	[J1]
		1						*O0	[D1]
	5KC38XD-HAD	1						*O0	[D5]
	5KC38ZJ8AD	1						*O0	[J3]
-9	05142350AA	1						*O0	LATCH, Load Floor Cover
10									BASE, Load Floor
	5KC37BD5AD	1						*O0	[D5]
	5KC37BD1AD	1						*O0	[J1]
		1						*O0	[D1]
	5KC37ZJ3AD	1						*O0	[J3]
-11	68028595AA	4	J, T		74			*O0	BUMPER, Load Floor
12									PLUG, LOAD FLOOR
	1HY80BD1AA	1	J, T		74			*O0	[D1] [J1]
	1HY80BD5AA	1	J, T		74			*O0	[D5]
	1HY80ZJ3AA	1	J, T		74			*O0	[J3]
13	06101968	3							NUT, M6x1.00
-14									SILENCER, Wheelhouse
	55197228AB	1							Up to 9-20-05, Right
	55197228AC	1							After to 9-20-05, Right
	55197229AB	1							Up to 9-20-05, Left
	55197229AC	1							After to 9-20-05, Left

NEW JEEP (XK)

SERIES LINE
H = HIGHLINE T = JEEP - 2WD
P = PREMIUM J = JEEP - 4WD

BODY
74 = SPORT UTILITY 4-DR

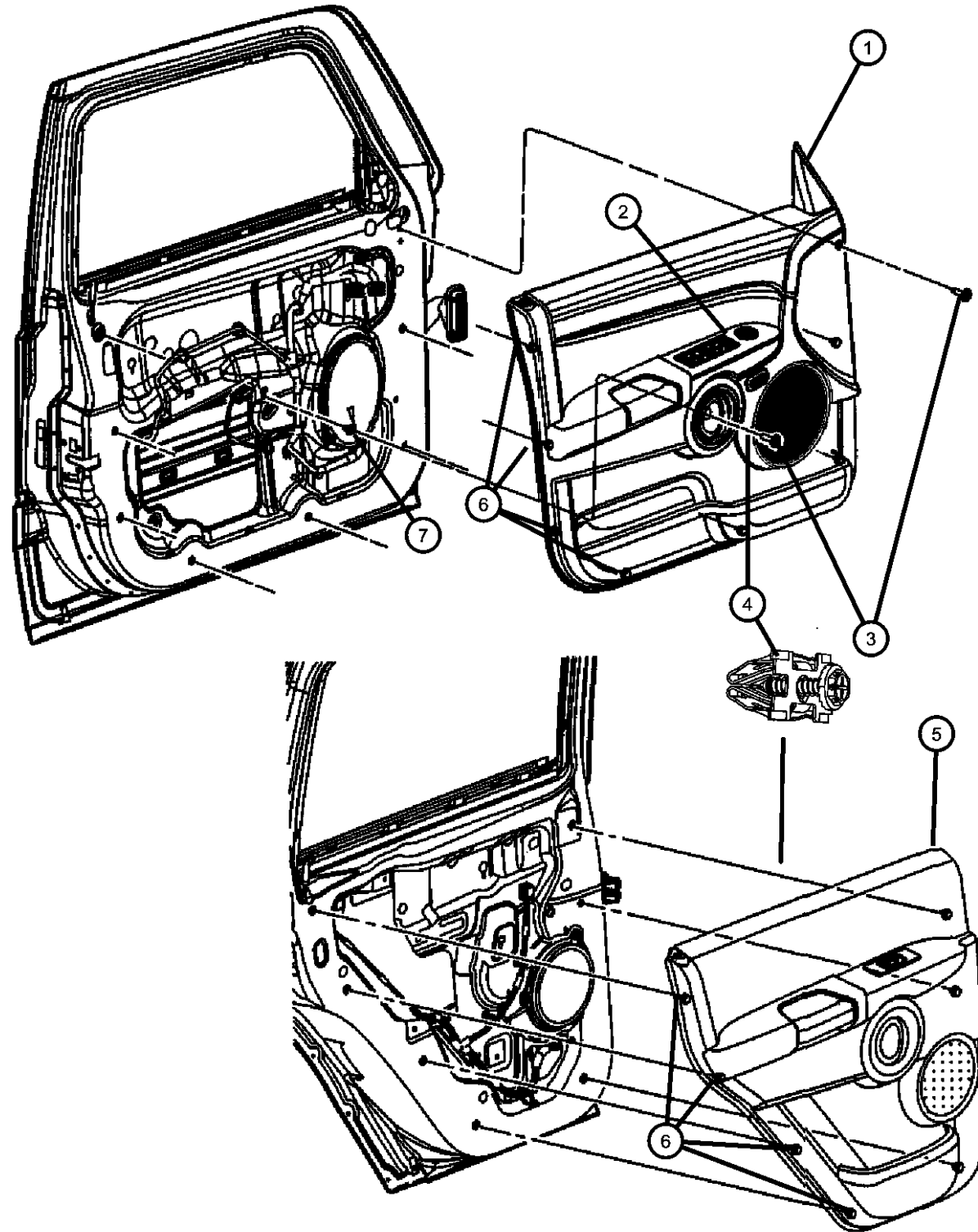
ENGINE
EKG = 3.7L V6 Engine
EVA = 4.7L V8 MPI Engine
EZB = 5.7L Hemi Multi Displacement Engine

TRANSMISSION
DGQ = 5-Spd Automatic 5-45RFE Transmission
DGJ = 5-Speed Automatic MB Transmission

AR = use ase required - = Non illustrated part

2006 XK

Door Trim Panels
Figure IXK-405



ITEM	PART NUMBER	QTY	LINE	SERIES	BODY	ENGINE	TRANS	TRIM	DESCRIPTION
1	1DV971D5AA	1		H				*00	PANEL, Front Door Trim
	1DV981D1AA	1		P				*00	[D5] Loredo, Right
	1DV981J1AA	1		P				*00	[D1] Limited, Right
	1DV991D1AA	1		P				*00	[J1] Limited, Right
	1DV971J8AA	1		H				*00	[D1] Limited, Left
	1DW001D5AA	1		H				*00	[J3] Loredo, Right
	1DW001J8AA	1		H				*00	[D5] Loredo, Left
	1DV991J1AA	1		P				*00	[J3] Loredo, Left
2								*00	[J1] Limited, Left
	05189959AA	1		H				*00	BEZEL, Switch
	05189960AA	1		H				*00	Left
3	06101946	2							Right
4									SCREW, Tapping
	68019550AA	1	J, T	H	74			*00	CLIP, Door Trim, Pull Handle
		1	J, T	P	74			*00	
5									PANEL, Rear Door Trim
	1DY581D5AA	1		H				*00	[D5] Loredo, Right
	1DY581J3AA	1		H				*00	[J3] Loredo, Right
	1DY591J3AA	1		H				*00	[J3] Loredo, Left
	1DY601D1AA	1		P				*00	[D1] Limited, Right
	1DY601J1AA	1		P				*00	[J1] Limited, Right
	1DY611D1AA	1		P				*00	[D1] Limited, Left
	1DY591D5AA	1		H				*00	[D5] Loredo, Left
	1DY611J1AA	1		P				*00	[J1] Limited, Left
6	06507686AA	1		H				*00	FASTENER, Door Trim Panel, Used For Front or rear door.Yellow
7	06035638	2							NUT/SPRING, "U"1THD, For .164-15 Screw, Door Handle

NEW JEEP (XK)

SERIES LINE
H = HIGHLINE T = JEEP - 2WD
P = PREMIUM J = JEEP - 4WD

BODY
74 = SPORT UTILITY 4-DR

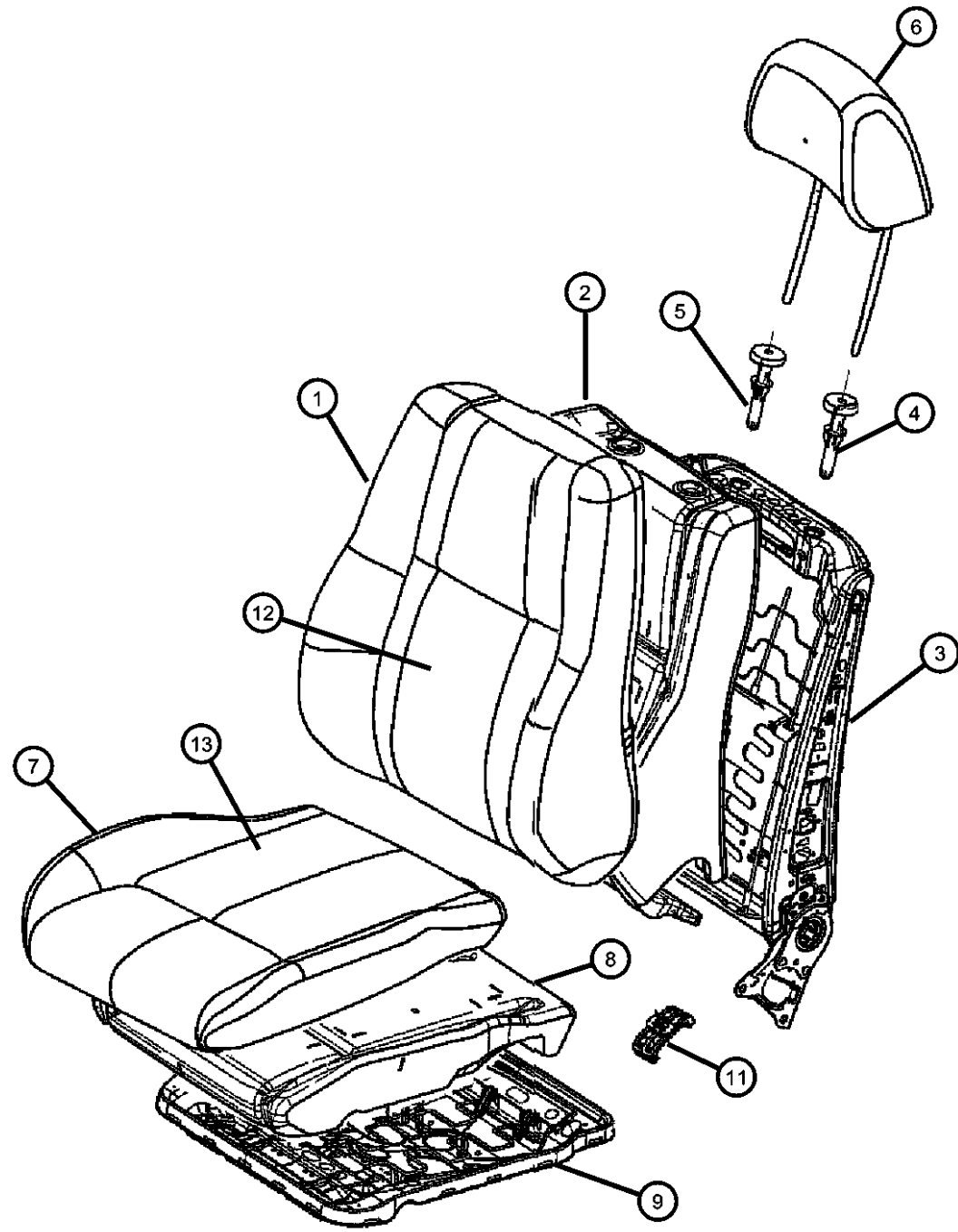
ENGINE
EKG = 3.7L V6 Engine
EVA = 4.7L V8 MPI Engine
EZB = 5.7L Hemi Multi Displacement Engine

TRANSMISSION
DGQ = 5-Spd Automatic 5-45RFE Transmission
DGJ = 5-Speed Automatic MB Transmission

AR = use ase required - = Non illustrated part

2006 XK

**Front Seat, Cloth, Trim Code [K7]
Figure IXK-510**



ITEM	PART NUMBER	QTY	LINE	SERIES	BODY	ENGINE	TRANS	TRIM	DESCRIPTION
1									COVER, Front Seat Back
	1DU141D5AA	1						*K7	[D5], Right
	1DU141J3AA	1						*K7	[J3], Right
	1DU151D5AA	1						*K7	[D5], Left
	1DU151J3AA	1						*K7	[J3], Left
2									FOAM, Seat Back
	05183644AA	1						*K7	Right
	05183645AA	1						*K7	Left
3									FRAME, Front Seat Back
	05143571AA	1						*K7	Power, Left
	05143572AA	1						*K7	Manual, Right
	05136181AA	1						*K7	Power, Right
4									SLEEVE, Headrest, With Button
	1DS911DAAA	2	J, T		74			*K7	[D5]
	1DS911J3AA	2	J, T		74			*K7	[J3]
5									SLEEVE, Headrest, Without Button
	1DS941DAAA	2	J, T		74			*K7	[D5]
	1DS941J3AA	2	J, T		74			*K7	[J3]
6									HEADREST, Front
	1DT851D5AA	2						*K7	[D5]
	1DT851J3AA	2						*K7	[J3]
7									COVER, Front Seat Cushion
	1DU111D5AA	2						*K7	[D5]
	1DU111J3AA	2						*K7	[J3]
8	05183646AA	2						*K7	FOAM, Seat Cushion
9									PAN, SEAT CUSHION
	05134939AA	1						*K7	Left
	05134940AA	1						*K7	Right
-10	05143430AA	2						*K7	WIRE KIT, Trimming, Cushion
11	05139663AA	4						*K7	BUMPER PAD, Seat Cushion
12	05000022AA	2						*K7	PAD, Heater, Back
13	05000021AA	2						*K7	PAD, Heater, Cushion

NEW JEEP (XK)

SERIES LINE
H = HIGHLINE T = JEEP - 2WD
P = PREMIUM J = JEEP - 4WD

BODY
74 = SPORT UTILITY 4-DR

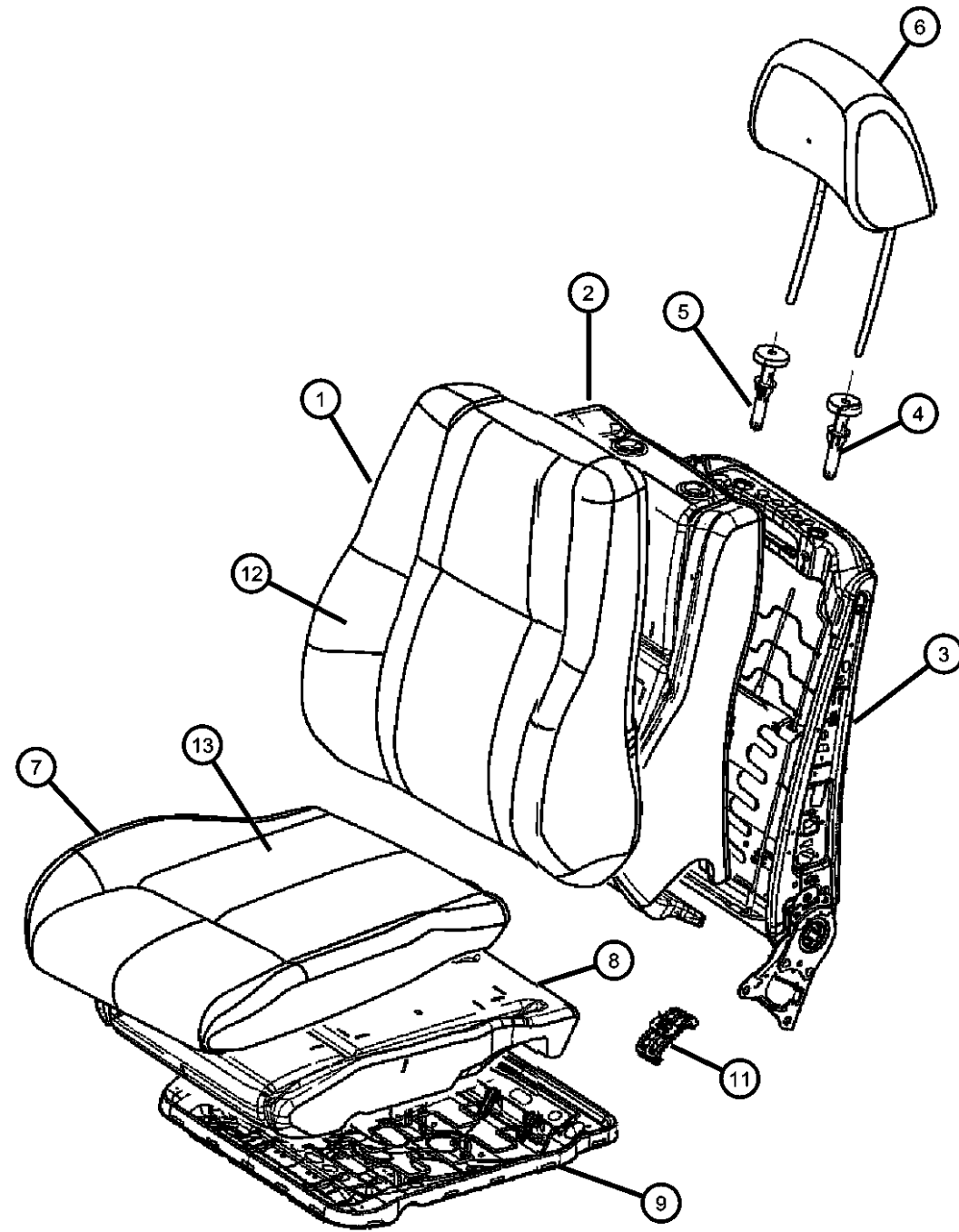
ENGINE
EKG = 3.7L V6 Engine
EVA = 4.7L V8 MPI Engine
EZB = 5.7L Hemi Multi Displacement Engine

TRANSMISSION
DGQ = 5-Spd Automatic 5-45RFE Transmission
DGJ = 5-Speed Automatic MB Transmission

AR = use ase required - = Non illustrated part

2006 XK

**Front Seat, Cloth, Trim Code [L5]
Figure IXK-520**



ITEM	PART NUMBER	QTY	LINE	SERIES	BODY	ENGINE	TRANS	TRIM	DESCRIPTION
1									COVER, Front Seat Back
	1EX641D5AA	1	T, J		74			*L5	[D5], Right
	1EX641J3AA	1	J, T		74			*L5	[J3], Right
	1EX651D5AA	1	J, T		74			*L5	[D5], Left
	1EX651J3AA	1	J, T		74			*L5	[J3], Left
2									FOAM, Seat Back
	05183644AA	1	J, T		74			*L5	Right
	05183645AA	1	J, T		74			*L5	Left
3									FRAME, Front Seat Back
	05136181AB	1	J, T		74			*L5	Power, Right
	05143571AB	1	J, T		74			*L5	Power, Left
	05143572AB	1	J, T		74			*L5	Manual, Right
4									SLEEVE, Headrest, With Button
	1DS911DAAA	2	J, T		74			*L5	[D5]
	1DS911J3AA	2	J, T		74			*L5	[J3]
5									SLEEVE, Headrest, Without Button
	1DS941DAAA	2	J, T		74			*L5	[D5]
	1DS941J3AA	2	J, T		74			*L5	[J3]
6									HEADREST, Front
	1DT851D5AA	2	J, T		74			*L5	[D5]
	1DT851J3AA	2	J, T		74			*L5	[J3]
7									COVER, Front Seat Cushion
	1DU111D5AA	2	J, T		74			*L5	[D5]
	1DU111J3AA	2	J, T		74			*L5	[J3]
8	05183646AA	2	J, T		74			*L5	FOAM, Seat Cushion
9									PAN, SEAT CUSHION
	05134940AA	1	J, T		74			*L5	Right
	05134939AA	1	J, T		74			*L5	Left
-10	05143430AA	2	J, T		74			*L5	WIRE KIT, Trimming, Cushion
11	05139663AA	4	J, T		74			*L5	BUMPER PAD, Seat Cushion
12	05000022AA	2						*L5	PAD, Heater, BackRight & Left
13	05000021AA	2						*L5	PAD, Heater, CushionRight & Left

NEW JEEP (XK)

SERIES LINE
H = HIGHLINE T = JEEP - 2WD
P = PREMIUM J = JEEP - 4WD

BODY
74 = SPORT UTILITY 4-DR

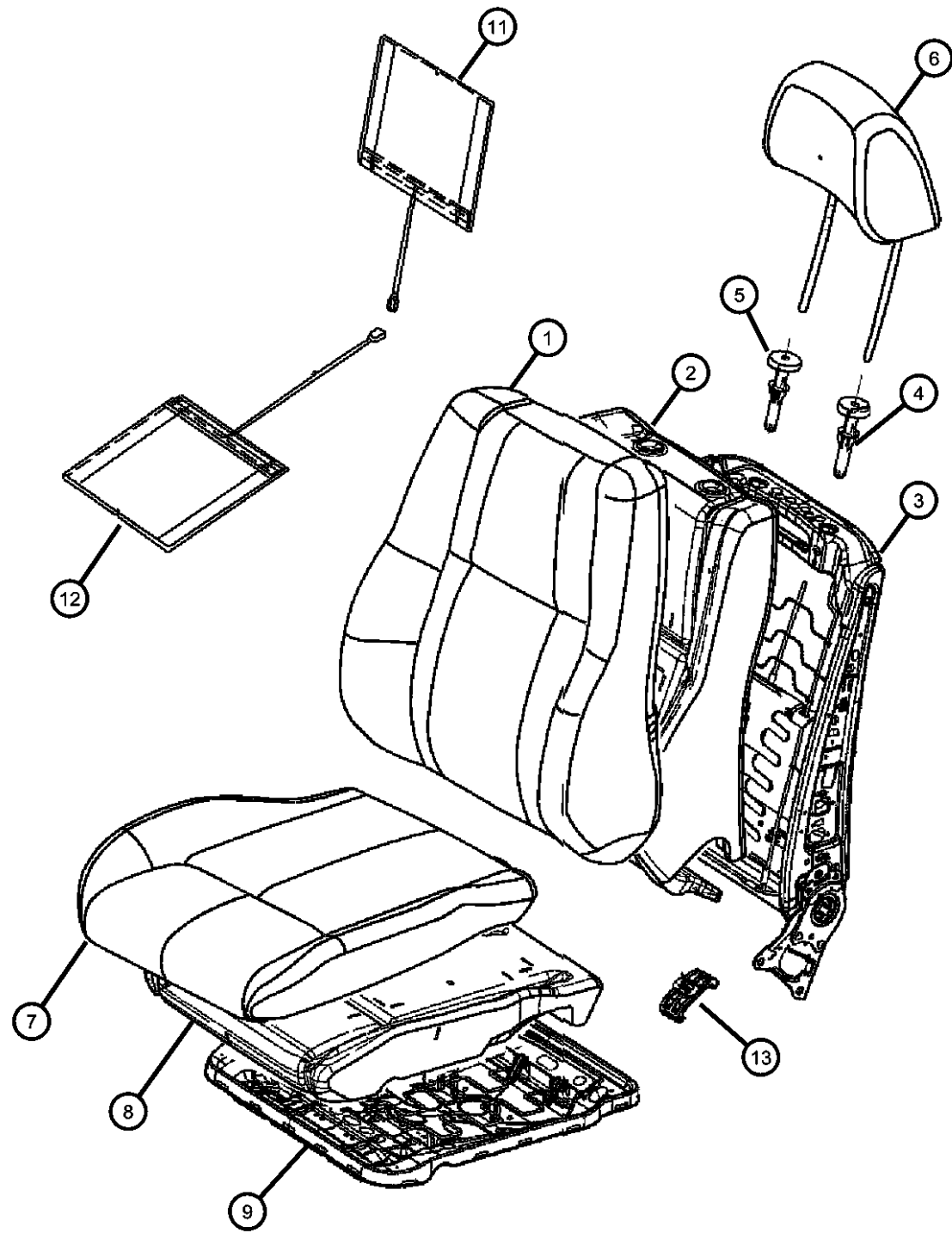
ENGINE
EKG = 3.7L V6 Engine
EVA = 4.7L V8 MPI Engine
EZB = 5.7L Hemi Multi
Displacement Engine

TRANSMISSION
DGQ = 5-Spd Automatic 5-45RFE
Transmission
DGJ = 5-Speed Automatic MB
Transmission

AR = use ase required - = Non illustrated part

2006 XK

**Front Seat, Leather, Trim Code [CL]
Figure IXK-530**



ITEM	PART NUMBER	QTY	LINE	SERIES	BODY	ENGINE	TRANS	TRIM	DESCRIPTION
1	1DV161D5AA	1						*CL	COVER, Front Seat Back
	1DV161J3AA	1						*CL	[D5], Right
	1DV171D5AA	1						*CL	[J3], Right
	1DV171J3AA	1						*CL	[D5], Left
								*CL	[J3], Left
2	05183645AA	1						*CL	FOAM, Seat Back
	05183644AA	1						*CL	Left
								*CL	Right
3	05136181AA	1						*CL	FRAME, Front Seat Back
	05143571AA	1						*CL	Right
								*CL	Left
4	1DS911DAAA	2	J, T		74			*CL	SLEEVE, Headrest, With Button
	1DS911J3AA	2	J, T		74			*CL	[D5]
								*CL	[J3]
5	1DS941DAAA	2	J, T		74			*CL	SLEEVE, Headrest, Without Button
	1DS941J3AA	2	J, T		74			*CL	[D5]
								*CL	[J3]
6	1DV081J3AA	2						*CL	HEADREST, Front
	1DV081D5AA	2						*CL	[J3]
								*CL	[D5]
7	1DV181D5AA	2						*CL	COVER, Front Seat Cushion
	1DV181J3AA	2						*CL	[D5]
								*CL	[J3]
8	05183646AA	2						*CL	FOAM, Seat Cushion
9	05134939AA	1						*CL	PAN, SEAT CUSHION
	05134940AA	1						*CL	Left Power
								*CL	Manual or Power Right. Manual Left
-10	05143430AA	2						*CL	WIRE KIT, Trimming, Cushion
11	05000022AA	2						*CL	PAD, Heater, Back
12	05000021AA	2						*CL	PAD, Heater, Cushion
13	05139663AA	4						*CL	BUMPER PAD, Seat Cushion

NEW JEEP (XK)

SERIES LINE
H = HIGHLINE T = JEEP - 2WD
P = PREMIUM J = JEEP - 4WD

BODY
74 = SPORT UTILITY 4-DR

ENGINE
EKG = 3.7L V6 Engine
EVA = 4.7L V8 MPI Engine
EZB = 5.7L Hemi Multi Displacement Engine

TRANSMISSION
DGQ = 5-Spd Automatic 5-45RFE Transmission
DGJ = 5-Speed Automatic MB Transmission

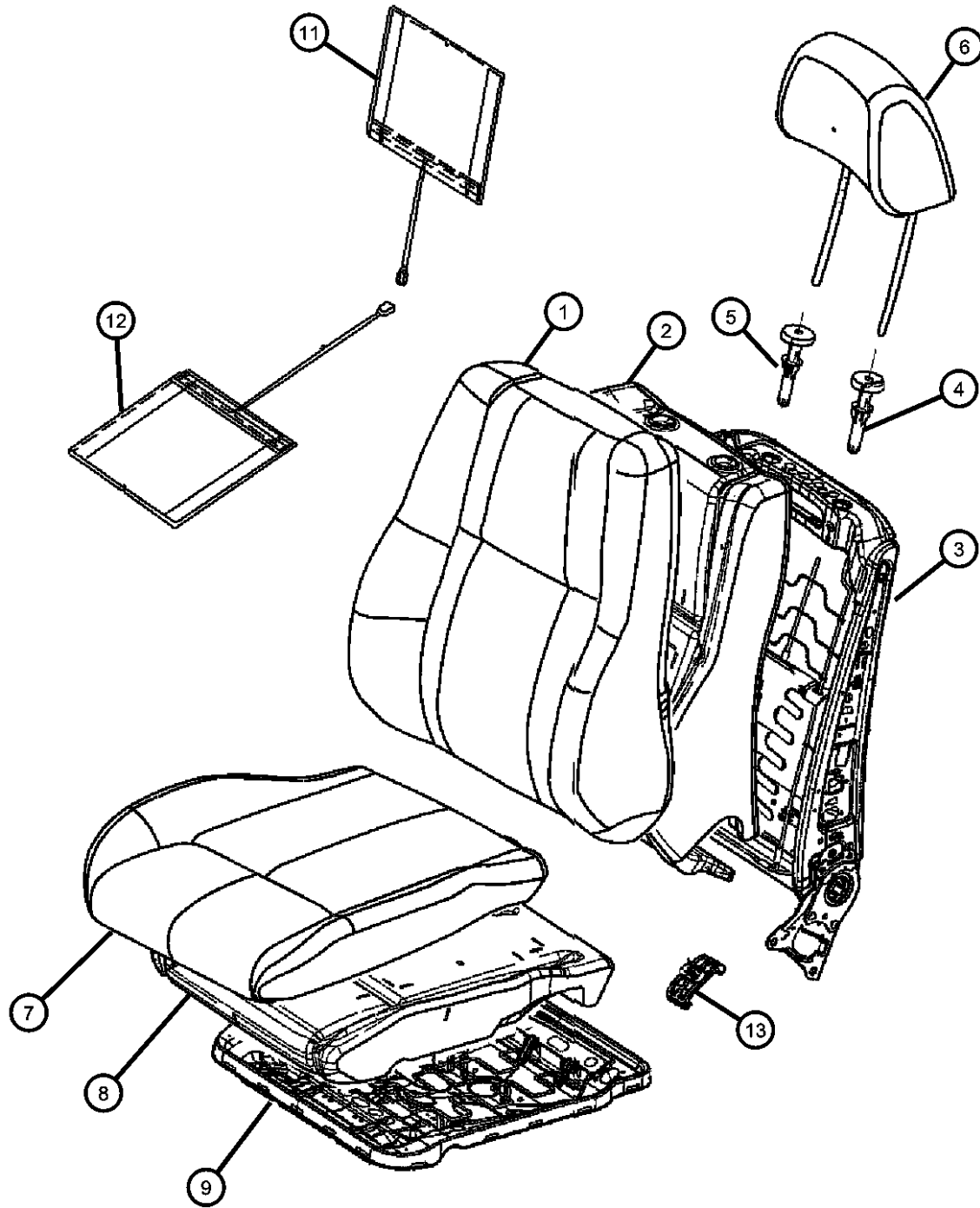
AR = use ase required - = Non illustrated part

2006 XK

**Front Seat, Leather, Trim Code [SL]
Figure IXK-540**

ITEM	PART NUMBER	QTY	LINE	SERIES	BODY	ENGINE	TRANS	TRIM	DESCRIPTION
------	-------------	-----	------	--------	------	--------	-------	------	-------------

Sales Codes:
 CEC=Saddle Brown
 CED=Light Graystone
 CDZ=Two-Toned
 JPM=Heated Seats



1	1DU821D1AA	1							COVER, Front Seat Back
	1DU821UYAA	1						*SL	[J1], Right
	1DU82BD-DAA	1						*SL	[D1] With [CEC] Saddle Brown, Right
	1DU831D1AA	1						*SL	[D1] With [CED] Light Graystone, Right
	1DU831UYAA	1						*SL	[J1], Left
	1DU83BD-DAA	1						*SL	[D1] With [CEC] Saddle Brown, Left
	1DU83BD-DAA	1						*SL	[D1] With [CED] Light Graystone, Left
2									FOAM, Seat Back
	05183644AA	1						*SL	Right
	05183645AA	1						*SL	Left
3									FRAME, Front Seat Back
	05136181AA	1						*SL	Right
	05136182AA	1						*SL	Left
4									SLEEVE, Headrest, With Button
	1DS911D1AA	2	J, T		74			*SL	[J1]
	1DS911UYAA	2	J, T		74			*SL	[D1] With [CEC] Saddle Brown
	1DS91BD-DAA	1	J, T		74			*SL	[D1] With [CED] Light Graystone
5									SLEEVE, Headrest, Without Button
	1DS941D1AA	2	J, T		74			*SL	[J1]
	1DS941UYAA	2	J, T		74			*SL	[D1] With [CEC] Saddle Brown
	1DS94BD-DAA	1	J, T		74			*SL	[D1] With [CED] Light Graystone
6									HEADREST, Front
	1DU771D1AA	2						*SL	[D1] [J1] With [CED] Light Graystone and [CDZ] Two-Toned
	1DU771UYAA	2						*SL	[D1] With [CEC] Saddle Brown
7									COVER, Front Seat Cushion
	1DU811D1AA	2						*SL	[J1]
	1DU811UYAA	2						*SL	[D1] With [CEC] Saddle Brown
	1DU81BD-DAA	2						*SL	[D1] With [CED] Light Graystone

NEW JEEP (XK)

SERIES LINE
 H = HIGHLINE T = JEEP - 2WD
 P = PREMIUM J = JEEP - 4WD

BODY
 74 = SPORT UTILITY 4-DR

ENGINE
 EKG = 3.7L V6 Engine
 EVA = 4.7L V8 MPI Engine
 EZB = 5.7L Hemi Multi Displacement Engine

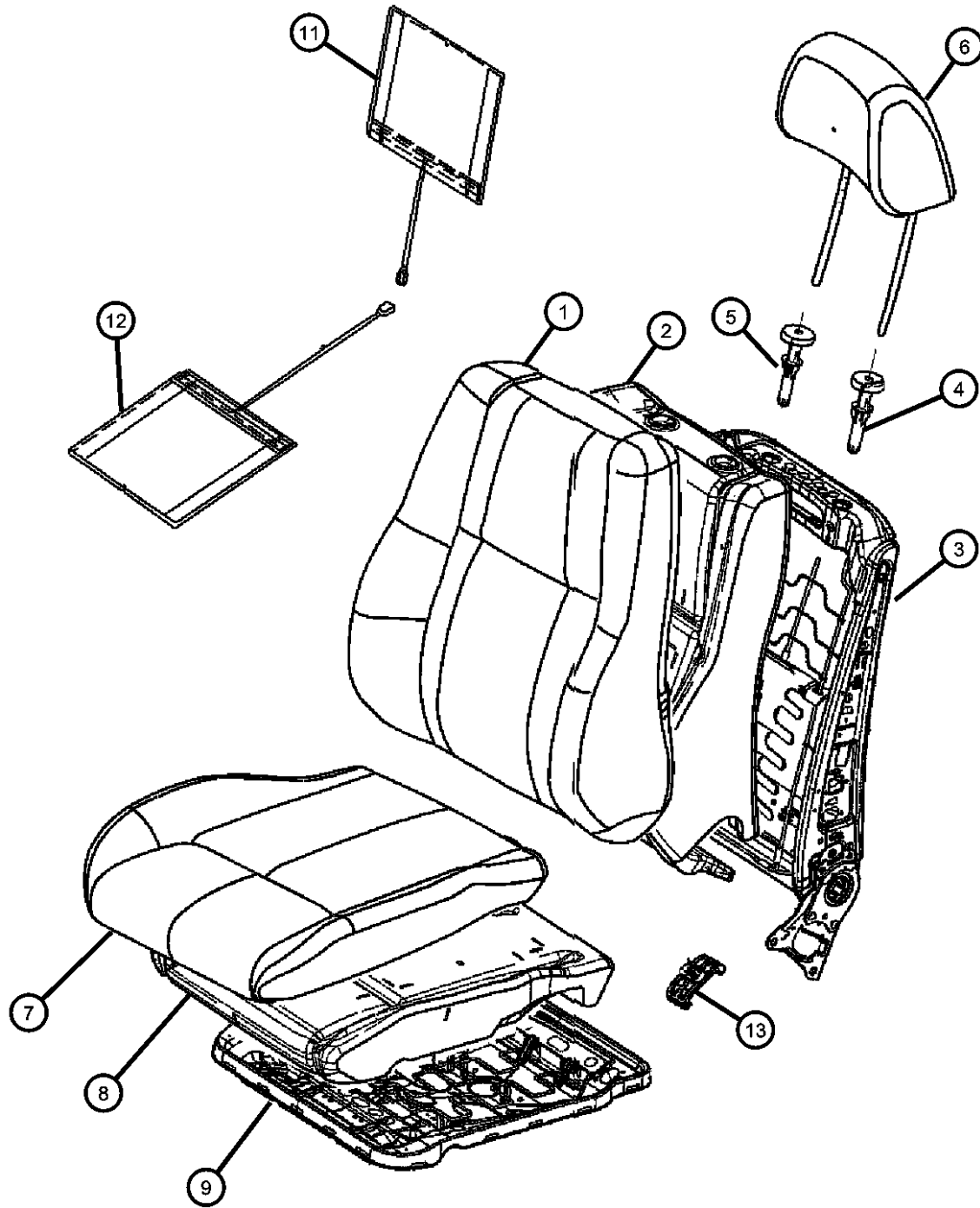
TRANSMISSION
 DGQ = 5-Spd Automatic 5-45RFE Transmission
 DGJ = 5-Speed Automatic MB Transmission

AR = use ase required - = Non illustrated part

2006 XK

Front Seat, Leather, Trim Code [SL]
Figure IXK-540

ITEM	PART NUMBER	QTY	LINE	SERIES	BODY	ENGINE	TRANS	TRIM	DESCRIPTION
8	05183646AA	2						*SL	FOAM, Seat Cushion
9	05134939AA	1						*SL	PAN, SEAT CUSHION
	05134940AA	1						*SL	Left
	05134940AA	1						*SL	Right
-10	05143430AA	2						*SL	WIRE KIT, Trimming, Cushion
11	05000022AA	2						*SL	PAD, Heater, Back
12	05000021AA	2						*SL	PAD, Heater, Cushion
13	05139663AA	4						*SL	BUMPER PAD, Seat Cushion



NEW JEEP (XK)

SERIES LINE
H = HIGHLINE T = JEEP - 2WD
P = PREMIUM J = JEEP - 4WD

BODY
74 = SPORT UTILITY 4-DR

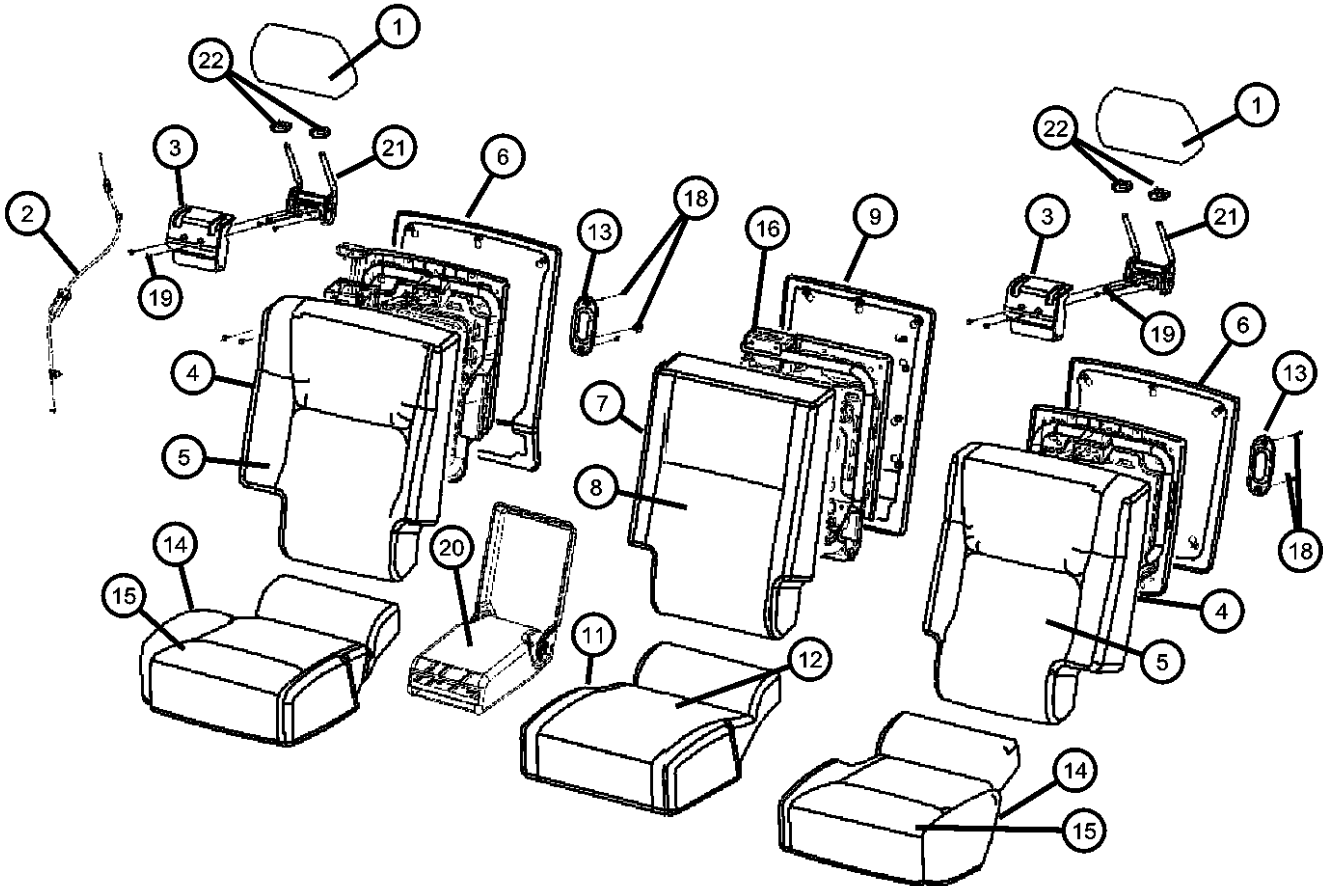
ENGINE
EKG = 3.7L V6 Engine
EVA = 4.7L V8 MPI Engine
EZB = 5.7L Hemi Multi
Displacement Engine

TRANSMISSION
DGQ = 5-Spd Automatic 5-45RFE
Transmission
DGJ = 5-Speed Automatic MB
Transmission

AR = use ase required - = Non illustrated part

2006 XK

**Second Seat Trim
Figure IXK-610**



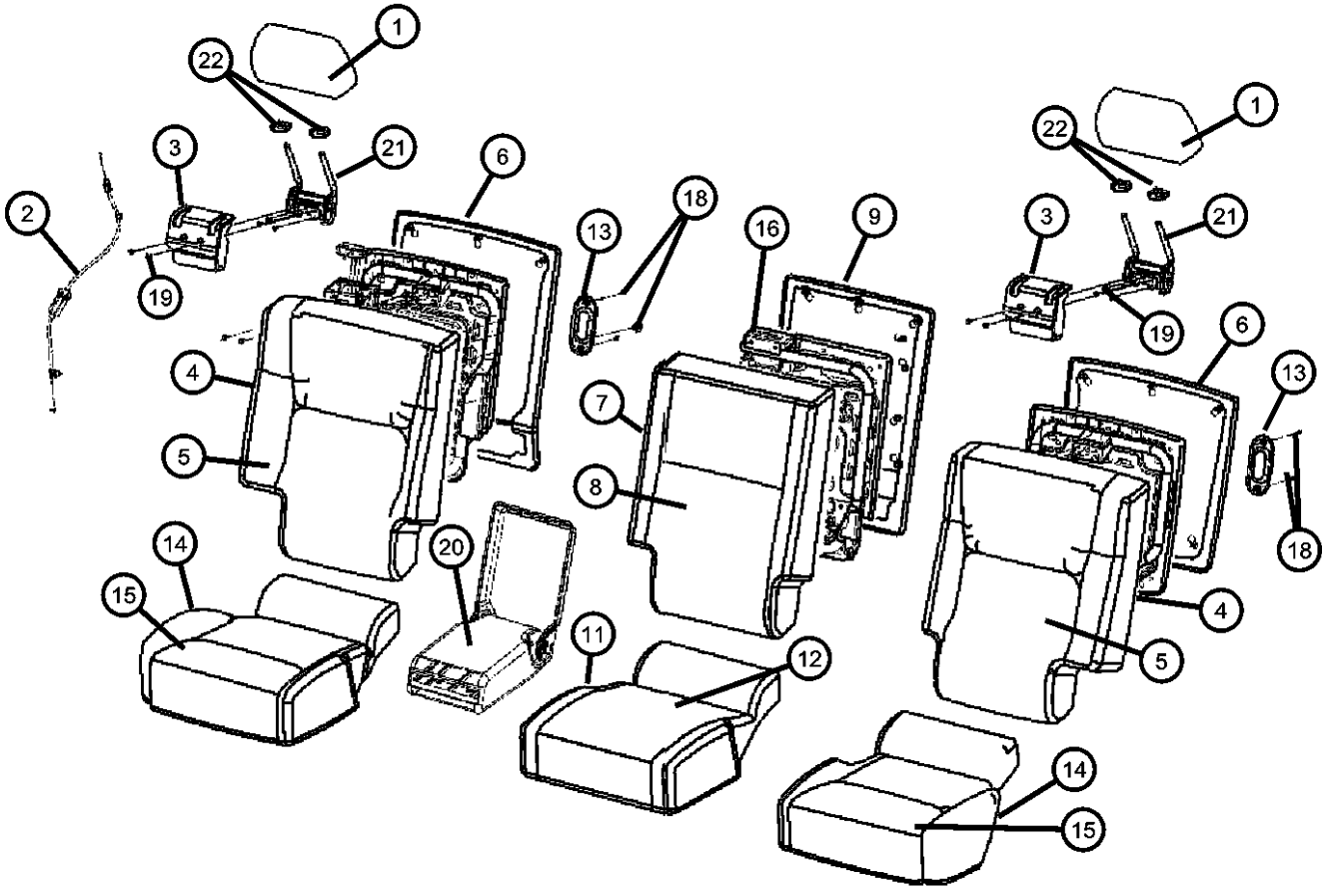
ITEM	PART NUMBER	QTY	LINE	SERIES	BODY	ENGINE	TRANS	TRIM	DESCRIPTION
1									HEADREST, Second Row
	1DT861D5AA	2						*K7	[D5]
		2	J, T		74			*L5	[D5]
	1DT861J3AA	2						*K7	[J3]
		2	J, T		74			*L5	[J3]
	1DU781D1AA	2						*SL	[D1] [J1] With [CED] Light Graystone and [CDZ] Two-Toned
	1DU781UYAA	2						*SL	[D1] With [CEC] Saddle Brown
1DV091D5AA	2							*CL	[D5]
	1DV091J3AA	2						*CL	[J3]
2									CABLE, HEADREST RELEASE
	05183674AA	1						*K7	
		1						*SL	
		1	J, T		74			*CL	
3									COVER, HEADREST MECHANISM
	05183673AA	1						*K7	
		1						*CL	
		1	J, T		74			*SL	
4									SEAT BACK, Rear
	1DU161D5AA	1						*K7	[D5], Right
		1	J, T		74			*L5	[D5], Right
	1DU161J3AA	1						*K7	[J3], Right
		1	J, T		74			*L5	[J3], Right
	1DU171D5AA	1						*K7	[D5], Left
		1	J, T		74			*L5	[D5], Left
	1DU171J3AA	1						*K7	[J3], Left
		1	J, T		74			*L5	[J3], Left
	1DU881D1AA	1						*SL	[J1], Right
	1DU881UYAA	1						*SL	[D1] With [CEC] Saddle Brown, Right
	1DU88BD-DAA	1						*SL	[D1] With [CED] Graystone, Right
	1DU891D1AA	1						*SL	[J1], Left
	1DU891UYAA	1						*SL	[D1] With [CEC] Saddle Brown, Left

NEW JEEP (XK)

SERIES	LINE	BODY	ENGINE	TRANSMISSION
H = HIGHLINE	T = JEEP - 2WD	74 = SPORT UTILITY 4-DR	EKG = 3.7L V6 Engine	DGQ = 5-Spd Automatic 5-45RFE
P = PREMIUM	J = JEEP - 4WD		EVA = 4.7L V8 MPI Engine	Transmission
			EZB = 5.7L Hemi Multi Displacement Engine	DGJ = 5-Speed Automatic MB Transmission

AR = use ase required - = Non illustrated part

**Second Seat Trim
Figure IXK-610**



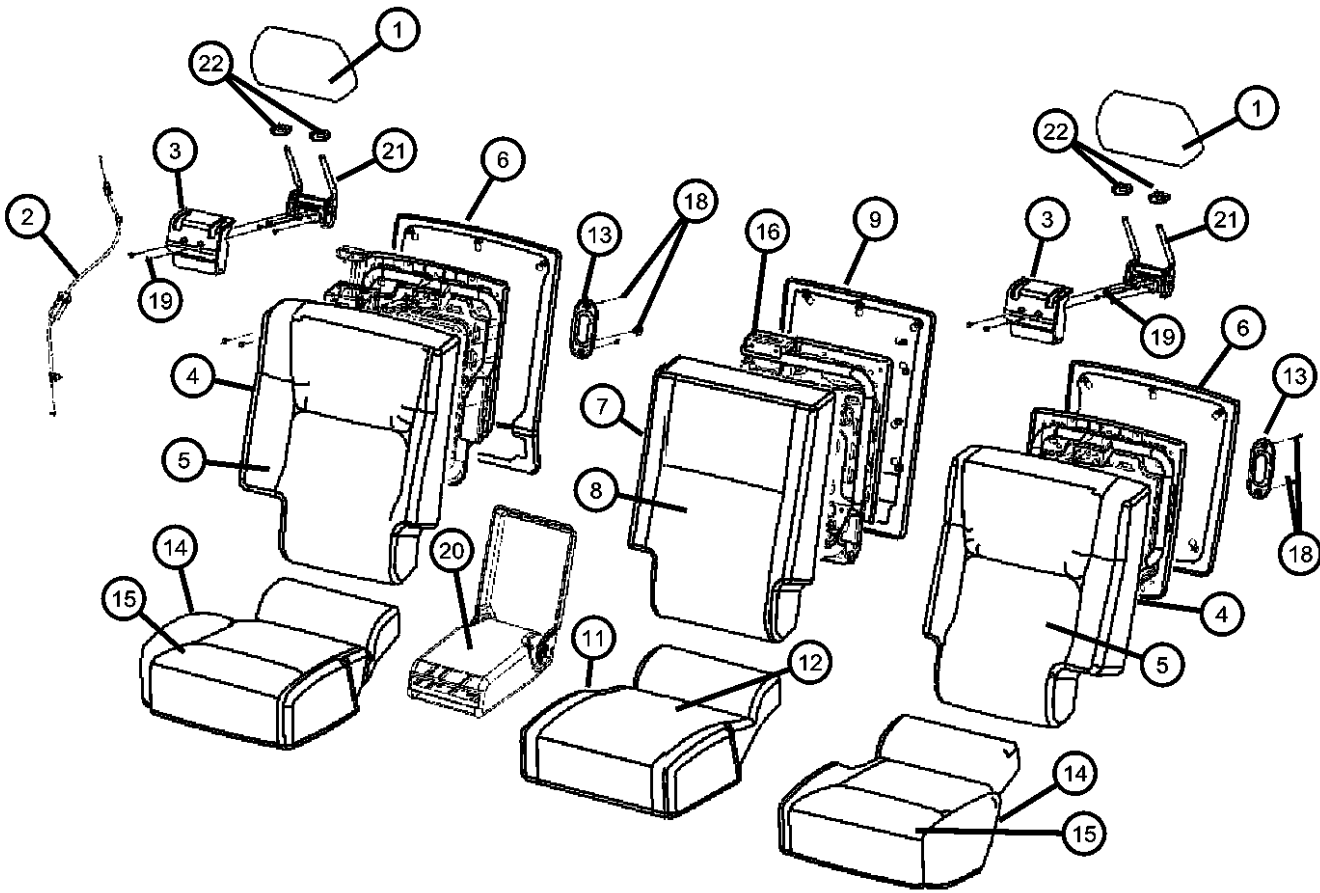
ITEM	PART NUMBER	QTY	LINE	SERIES	BODY	ENGINE	TRANS	TRIM	DESCRIPTION
	1DV261D5AA	1						*CL	[D5], Right
	1DU89BD-DAA	1						*SL	[D1] With [CED] Graystone, Left
	1DV271D5AA	1						*CL	[D5], Left
	1DV261J3AA	1						*CL	[J3], Right
	1DV271J3AA	1						*CL	[J3], Left
5									COVER, Rear Seat Back
	1DU181D5AA	1						*K7	[D5], Right
	1DU181J3AA	1	J, T		74			*L5	[D5], Right
	1DU191D5AA	1	J, T		74			*L5	[J3], Right
	1DU191J3AA	1	J, T		74			*L5	[J3], Right
	1DU941D1AA	1	J, T		74			*K7	[D5], Left
	1DU941UYAA	1	J, T		74			*L5	[D5], Left
	1DU951D1AA	1						*K7	[J3], Left
	1DU94BD-DAA	1						*SL	[J1], Right
	1DU951UYAA	1						*L5	[J3], Left
	1DU95BD-DAA	1						*SL	[D1] With [CEC] Saddle Brown, Right
	1DV281D5AA	1						*SL	[J1], Left
	1DV281J3AA	1						*SL	[D1] With [CED] Light Graystone, Right
	1DV291J3AA	1						*SL	[D1] With [CEC] Saddle Brown, Left
	1DV291D5AA	1						*SL	[D1] With [CED] Light Graystone, Left
6									PANEL, Rear Seat Back
	1DU201D1AA	1						*CL	[D5], Right
	1DU201D5AA	1						*SL	[D1] [J1] With [CED] Light Graystone and [CDZ] Two-Toned, Right
	1DU201J3AA	1	J, T		74			*K7	[D5], Right
		1						*CL	[D5], Right
		1						*L5	[D5], Right
		1						*K7	[J3], Right
		1						*CL	[J3], Right

NEW JEEP (XK)

SERIES	LINE	BODY	ENGINE	TRANSMISSION
H = HIGHLINE	T = JEEP - 2WD	74 = SPORT UTILITY 4-DR	EKG = 3.7L V6 Engine	DGQ = 5-Spd Automatic 5-45RFE
P = PREMIUM	J = JEEP - 4WD		EVA = 4.7L V8 MPI Engine	Transmission
			EZB = 5.7L Hemi Multi Displacement Engine	DGJ = 5-Speed Automatic MB Transmission

AR = use ase required - = Non illustrated part

Second Seat Trim
Figure IXK-610

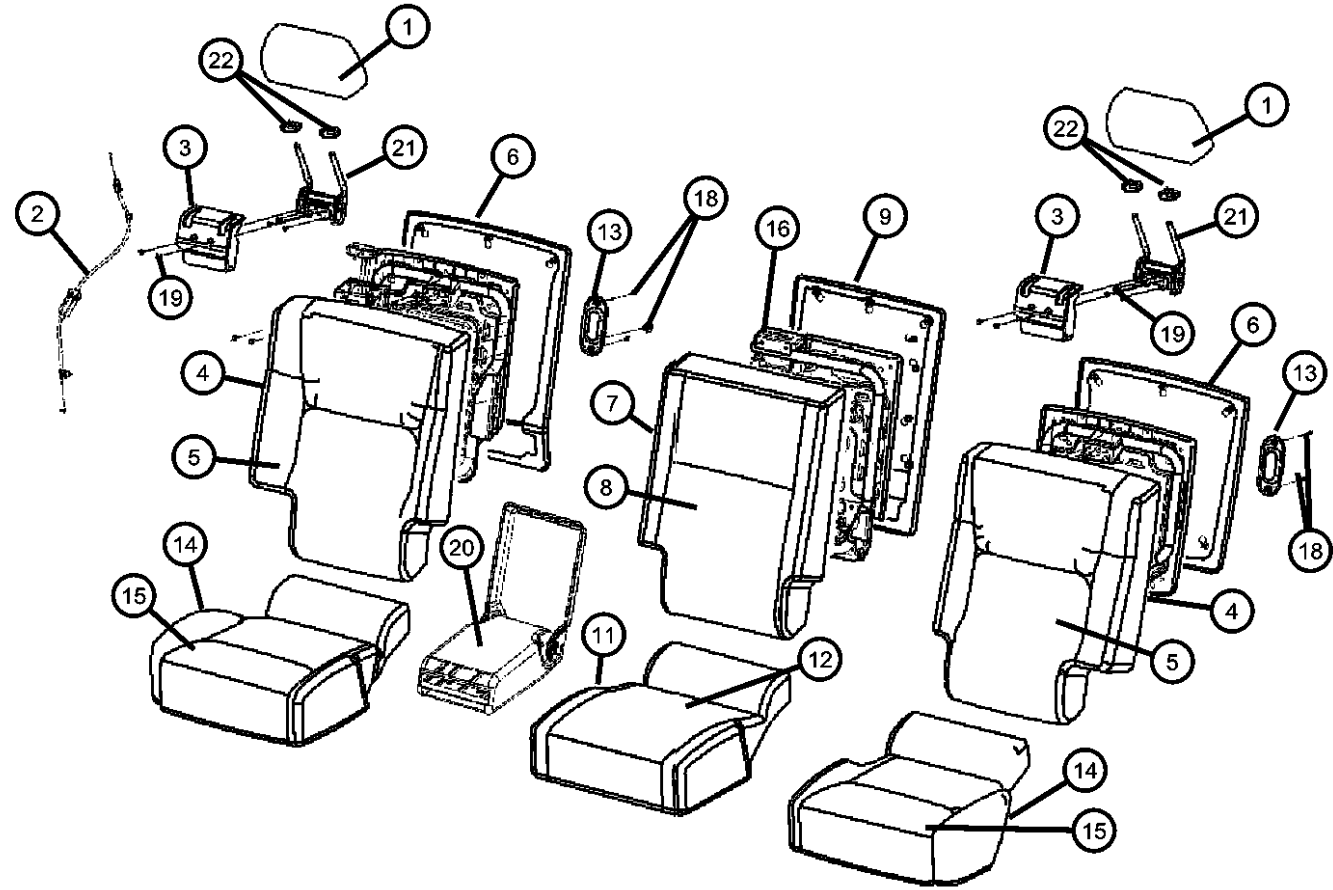


ITEM	PART NUMBER	QTY	LINE	SERIES	BODY	ENGINE	TRANS	TRIM	DESCRIPTION
	1DU201UYAA	1						*SL	[D1] With [CEC] Saddle Brown, Right
	1DU211D1AA	1	J, T		74			*L5	[J3], Right
	1DU211D5AA	1						*SL	[D1] [J1]With [CED] Light Graystone and [CDZ] Two-Toned, Left
	1DU211D5AA	1						*K7	[D5], Left
	1DU211J3AA	1	J, T		74			*CL	[D5], Left
	1DU211J3AA	1						*L5	[D5], Left
	1DU211J3AA	1						*K7	[J3], Left
	1DU211J3AA	1						*CL	[J3], Left
	1DU211UYAA	1	J, T		74			*L5	[J3], Left
7	1DU211UYAA	1						*SL	[D1] With [CEC] Saddle Brown, Left
	1DU221D5AA	1							SEAT BACK, Rear, 20% Center Back Assembly, Includes Frame
	1DU221D5AA	1						*K7	[D5]
	1DU221J3AA	1	J, T		74			*L5	[D5]
	1DU221J3AA	1						*K7	[J3]
	1DU961D1AA	1						*SL	[D1] [J1]With [CED] Light Graystone and [CDZ] Two-Toned
	1DU961D1AA	1	J, T		74			*L5	[J3]
	1DU961UYAA	1						*SL	[D1] With [CEC] Saddle Brown
	1DV191D5AA	1						*CL	[D5]
	1DV191J3AA	1						*CL	[J3]
8	1DU481D5AA	1							COVER, Rear Seat Back, 20% Center Back Cover
	1DU481D5AA	1						*K7	[D5]
	1DU481J3AA	1						*K7	[J3]
	1DU481J3AA	1	J, T		74			*L5	[D5]
	1DU481J3AA	1	J, T		74			*L5	[J3]
	1DU971UYAA	1						*SL	[D1] With [CEC] Saddle Brown
	1DU971D1AA	1						*SL	[J1]
	1DU97BD-DAA	1						*SL	[D1] With [CED] Graystone
	1DV231D5AA	1						*CL	[D5]
	1DV231J3AA	1						*CL	[J3]
9									PANEL, Rear Seat Back, 20% Center Hardboard Panel

NEW JEEP (XK)
 SERIES LINE BODY ENGINE TRANSMISSION
 H = HIGHLINE T = JEEP - 2WD 74 = SPORT UTILITY 4-DR EKG = 3.7L V6 Engine DGQ = 5-Spd Automatic 5-45RFE
 P = PREMIUM J = JEEP - 4WD EVA = 4.7L V8 MPI Engine Transmission
 EZB = 5.7L Hemi Multi DGJ = 5-Speed Automatic MB
 Displacement Engine Transmission

AR = use ase required - = Non illustrated part

**Second Seat Trim
Figure IXK-610**



ITEM	PART NUMBER	QTY	LINE	SERIES	BODY	ENGINE	TRANS	TRIM	DESCRIPTION
	1DU471D1AA	1						*SL	[D1] [J1] With [CED] Light Graystone and [CDZ] Two-Toned
	1DU471D5AA	1						*K7	[D5]
		1						*CL	[D5]
	1DU471J3AA	1	J, T		74			*L5	[D5]
		1						*K7	[J3]
		1						*CL	[J3]
	1DU471UYAA	1	J, T		74			*L5	[J3]
		1						*SL	[D1] With [CEC] Saddle Brown
-10									STRAP, Seat release, 20% Seat Release strap
	1DT681D1AA	1						*SL	[J1]
		1						*SL	[D1]
	1DT681D5AA	1						*K7	[D5]
		1						*CL	[D5]
	1DT681J3AA	1						*CL	[J3]
		1						*K7	[J3]
	1DT68BDDAA	1						*SL	[D1] With [CED] Light Graystone
	1DT681UYAA	1						*SL	[D1] With [CEC] Saddle Brown
11									COVER, Rear Seat Cushion, 20% Center Cushion Cover
	1DU491D5AA	1						*K7	[D5]
		1	J, T		74			*L5	[D5]
	1DU491J3AA	1						*K7	[J3]
	1DU981D1AA	1						*SL	[J1]
		1	J, T		74			*L5	[J3]
	1DU981UYAA	1						*SL	[D1] With [CEC] Saddle Brown
	1DU98BD-DAA	1						*SL	[D1] With [CED] Light Graystone
	1DV251D5AA	1						*CL	[D5]
	1DV251J3AA	1						*CL	[J3]
12									FOAM, Seat Cushion, 20% Center Cushion Foam
	05183653AA	1						*SL	
		1						*K7	
		1						*CL	
		1	J, T		74			*L5	

NEW JEEP (XK)

SERIES LINE

H = HIGHLINE T = JEEP - 2WD
P = PREMIUM J = JEEP - 4WD

BODY

74 = SPORT UTILITY 4-DR

ENGINE

EKG = 3.7L V6 Engine
EVA = 4.7L V8 MPI Engine
EZB = 5.7L Hemi Multi Displacement Engine

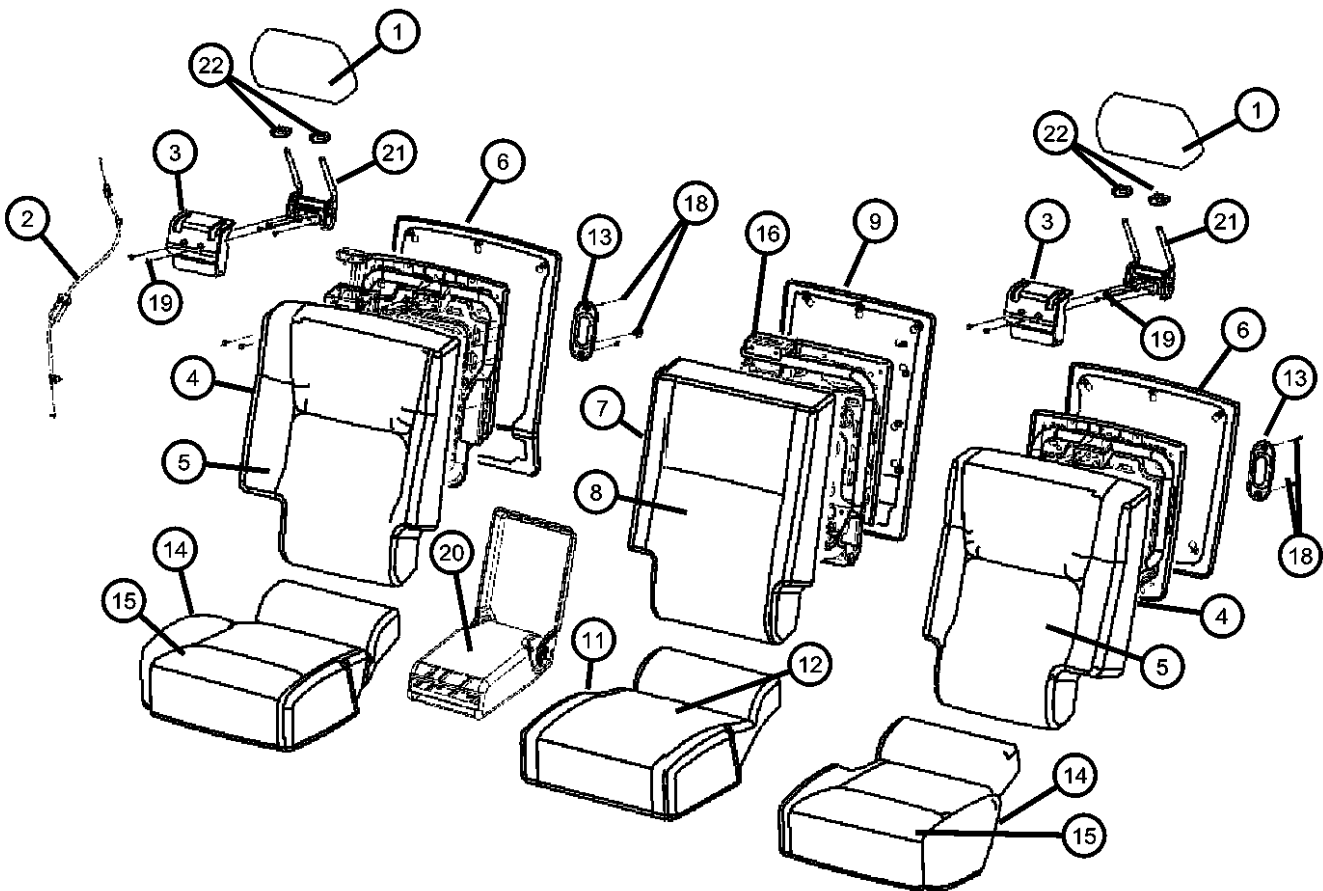
TRANSMISSION

DGQ = 5-Spd Automatic 5-45RFE Transmission
DGJ = 5-Speed Automatic MB Transmission

AR = use ase required - = Non illustrated part

2006 XK

**Second Seat Trim
Figure IXK-610**



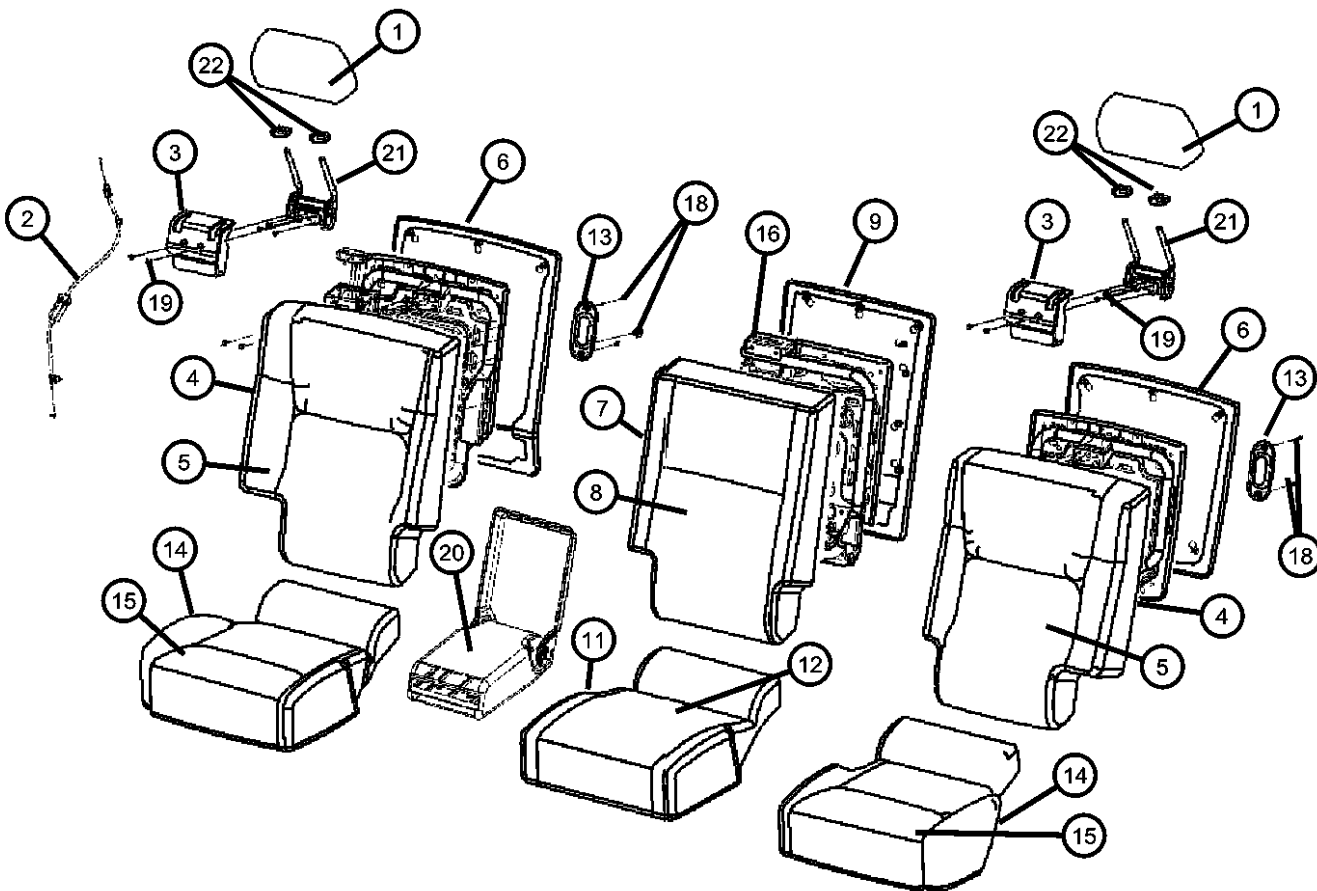
ITEM	PART NUMBER	QTY	LINE	SERIES	BODY	ENGINE	TRANS	TRIM	DESCRIPTION
13									BEZEL, TETHER
	0WT351D1AA	1						*SL	[D1] [J1] With [CED] Light Graystone and [CDZ] Two-Toned
	0WT351D5AA	1						*CL	[D5]
		1						*K7	[D5]
		1	J, T		74			*L5	[D5]
	0WT351J3AA	1						*K7	[J3]
		1						*CL	[J3]
		1	J, T		74			*L5	[J3]
	0WT351UYAA	1						*SL	[D1] With [CEC] Saddle Brown
14									CUSHION, Rear Seat
	1DU501D5AA	1						*K7	[D5], Right
		1	J, T		74			*L5	[D5], Right
	1DU501J3AA	1						*K7	[J3], Right
		1	J, T		74			*L5	[J3], Right
	1DU511D5AA	1						*K7	[D5], Left
		1	J, T		74			*L5	[D5], Left
	1DU511J3AA	1						*K7	[J3], Left
		1	J, T		74			*L5	[J3], Left
	1DV001D1AA	1						*SL	[J1], Right
	1DV001UYAA	1						*SL	[D1] With [CEC] Saddle Brown, Right
	1DV00BD-DAA	1						*SL	[D1] With [CED] Graystone, Right
	1DV011UYAA	1						*SL	[D1] With [CEC] Saddle Brown, Left
	1DV011D1AA	1						*SL	[J1], Left
	1DV01BD-DAA	1						*SL	[D1] With [CED] Graystone, Left
	1DV301D5AA	1						*CL	[D5], Right
	1DV301J3AA	1						*CL	[J3], Right
	1DV311D5AA	1						*CL	[D5], Left
	1DV311J3AA	1						*CL	[J3], Left
15									CUSHION, Rear Seat, Cushion Cover
	1DU561D5AA	1						*K7	[D5], Right
		1	J, T		74			*L5	[D5], Right
	1DU561J3AA	1						*K7	[J3], Right

NEW JEEP (XK)

SERIES	LINE	BODY	ENGINE	TRANSMISSION
H = HIGHLINE	T = JEEP - 2WD	74 = SPORT UTILITY 4-DR	EKG = 3.7L V6 Engine	DGQ = 5-Spd Automatic 5-45RFE
P = PREMIUM	J = JEEP - 4WD		EVA = 4.7L V8 MPI Engine	Transmission
			EZB = 5.7L Hemi Multi Displacement Engine	DGJ = 5-Speed Automatic MB Transmission

AR = use ase required - = Non illustrated part

Second Seat Trim Figure IXK-610



ITEM	PART NUMBER	QTY	LINE	SERIES	BODY	ENGINE	TRANS	TRIM	DESCRIPTION
		1	J, T		74			*L5	[J3], Right
	1DU571D5AA	1						*K7	[D5], Left
	1DU571J3AA	1						*K7	[J3], Left
		1	J, T		74			*L5	[D5], Left
		1	J, T		74			*L5	[J3], Left
	1DV021UYAA	1						*SL	[D1] With [CEC] Saddle Brown, Right
	1DV021D1AA	1						*SL	[J1], Right
	1DV02BD-DAA	1						*SL	[D1] With [CED] Light Graystone, Right
	1DV031D1AA	1						*SL	[J1], Left
	1DV031UYAA	1						*SL	[D1] With [CEC] Saddle Brown, Left
	1DV03BD-DAA	1						*SL	[D1] With [CED] Light Graystone, Left
	1DV341D5AA	1						*CL	[D5], Right
	1DV341J3AA	1						*CL	[J3], Right
	1DV351D5AA	1						*CL	[D5], Left
	1DV351J3AA	1						*CL	[J3], Left
16									BEZEL, Seat Belt, 20% Retractor Bezel
	1DU461D1AA	1						*SL	[J1]
		1						*SL	[D1]
	1DU461D5AA	1						*K7	[D5]
		1						*CL	[D5]
		1	J, T		74			*L5	[D5]
	1DU461J3AA	1						*CL	[J3]
		1						*K7	[J3]
		1	T, J		74			*L5	[J3]
-17									BEZEL, Seat Belt, 20% Black Plastic Retractor Cover
	05183680AA	1						*SL	
		1						*K7	The center passenger and right passenger belt goes through this bezel
		1						*CL	
		1	J, T		74			*L5	
18									SCREW, CUSHION FRAME
	05183672AA	2						*K7	

NEW JEEP (XK)

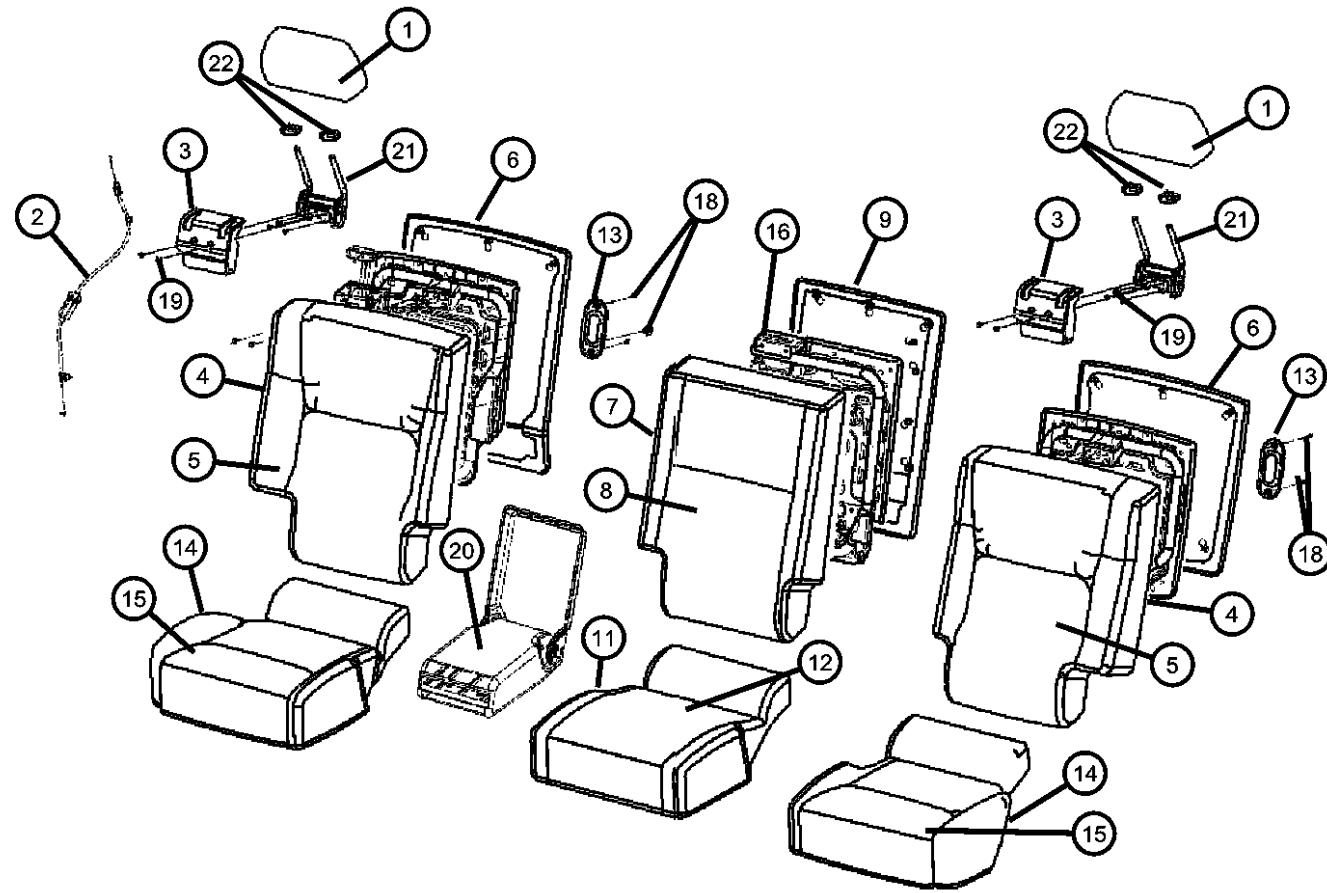
SERIES	LINE	BODY	ENGINE	TRANSMISSION
H = HIGHLINE	T = JEEP - 2WD	74 = SPORT UTILITY 4-DR	EKG = 3.7L V6 Engine	DGQ = 5-Spd Automatic 5-45RFE
P = PREMIUM	J = JEEP - 4WD		EVA = 4.7L V8 MPI Engine	Transmission
			EZB = 5.7L Hemi Multi Displacement Engine	DGJ = 5-Speed Automatic MB Transmission

AR = use ase required - = Non illustrated part

2006 XK

<< RETURN TO GROUP INDEX

**Second Seat Trim
Figure IXK-610**



ITEM	PART NUMBER	QTY	LINE	SERIES	BODY	ENGINE	TRANS	TRIM	DESCRIPTION
		2						*CL	
		2						*SL	
19		2	J, T		74			*L5	BOLT
	05183685AA	4						*K7	
		4						*SL	
		4						*CL	
20		4	J, T		74			*L5	ARMREST, Second Row
	1DT951D5AA	1						*K7	[D5]
		1	J, T		74			*L5	[D5]
	1DT951J3AA	1						*K7	[J3]
	1DU801D1AA	1						*SL	[J1]
		1	J, T		74			*L5	[J3]
	1DU801UYAA	1						*SL	[D1]
	1DV151D5AA	1						*CL	[D5]
	1DV151J3AA	1						*CL	[J3]
21									BRACKET AND HINGE, Headrest
	05143489AA	1						*CL	
		1						*K7	
		1						*SL	
22		1	J, T		74			*L5	COVER, Headrest Sleeve
	1BG771D1AA	2						*SL	[J1]
	1BG771D5AA	2						*K7	[D5]
		2						*CL	[D5]
		2	J, T		74			*L5	[D5]
	1BG771J3AA	2						*CL	[J3]
		2						*K7	[J3]
	1BG771UYAA	2						*SL	[D1] With [CEC] Saddle Brown
		2	J, T		74			*L5	[J3]
	1BG77BD-DAA	1						*SL	[D1] With [CED] Light Graystone

NEW JEEP (XK)

SERIES LINE
H = HIGHLINE T = JEEP - 2WD
P = PREMIUM J = JEEP - 4WD

BODY
74 = SPORT UTILITY 4-DR

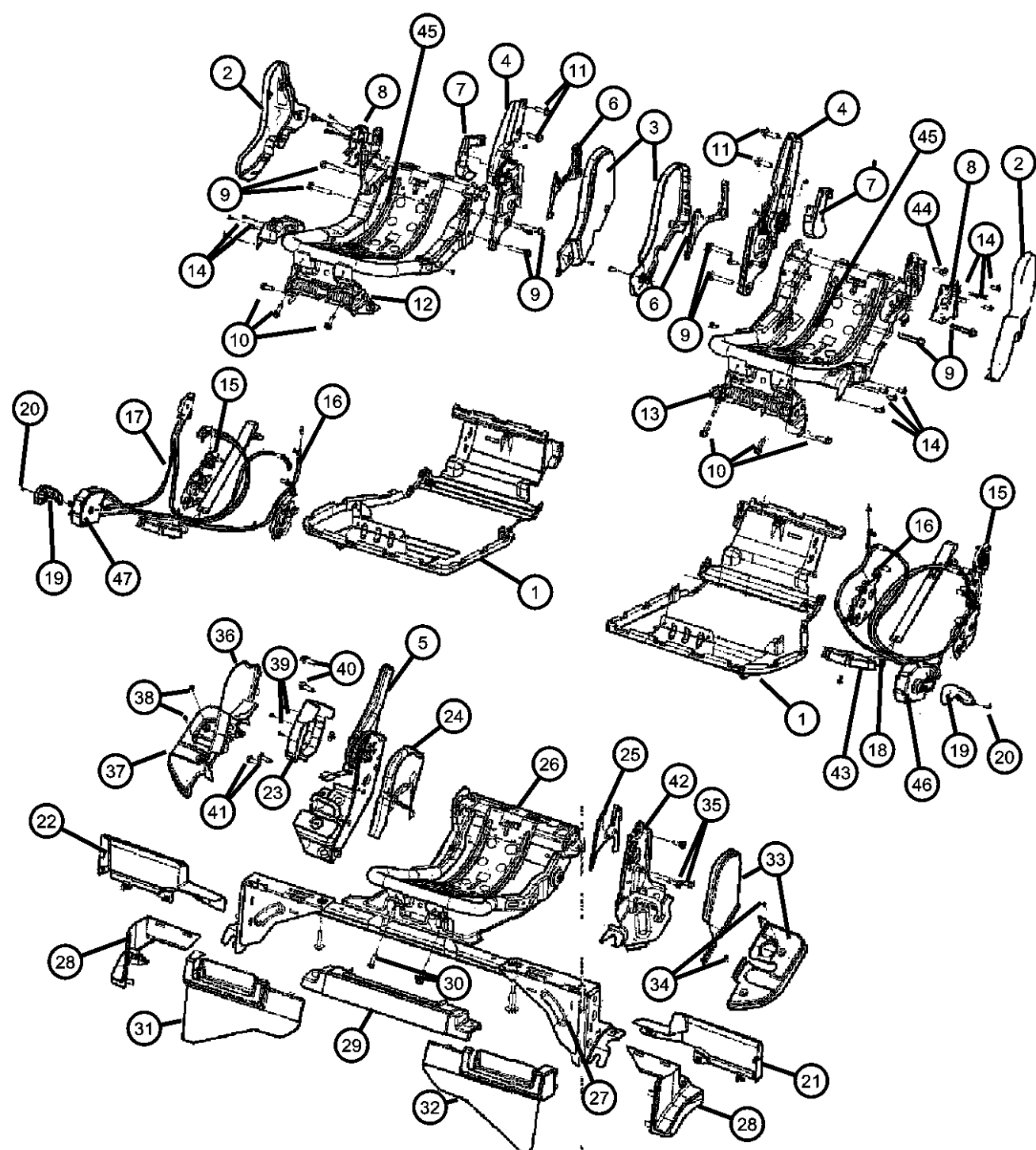
ENGINE
EKG = 3.7L V6 Engine
EVA = 4.7L V8 MPI Engine
EZB = 5.7L Hemi Multi Displacement Engine

TRANSMISSION
DGQ = 5-Spd Automatic 5-45RFE Transmission
DGJ = 5-Speed Automatic MB Transmission

AR = use ase required - = Non illustrated part

2006 XK

Second Seat Hardware
Figure IXK-620

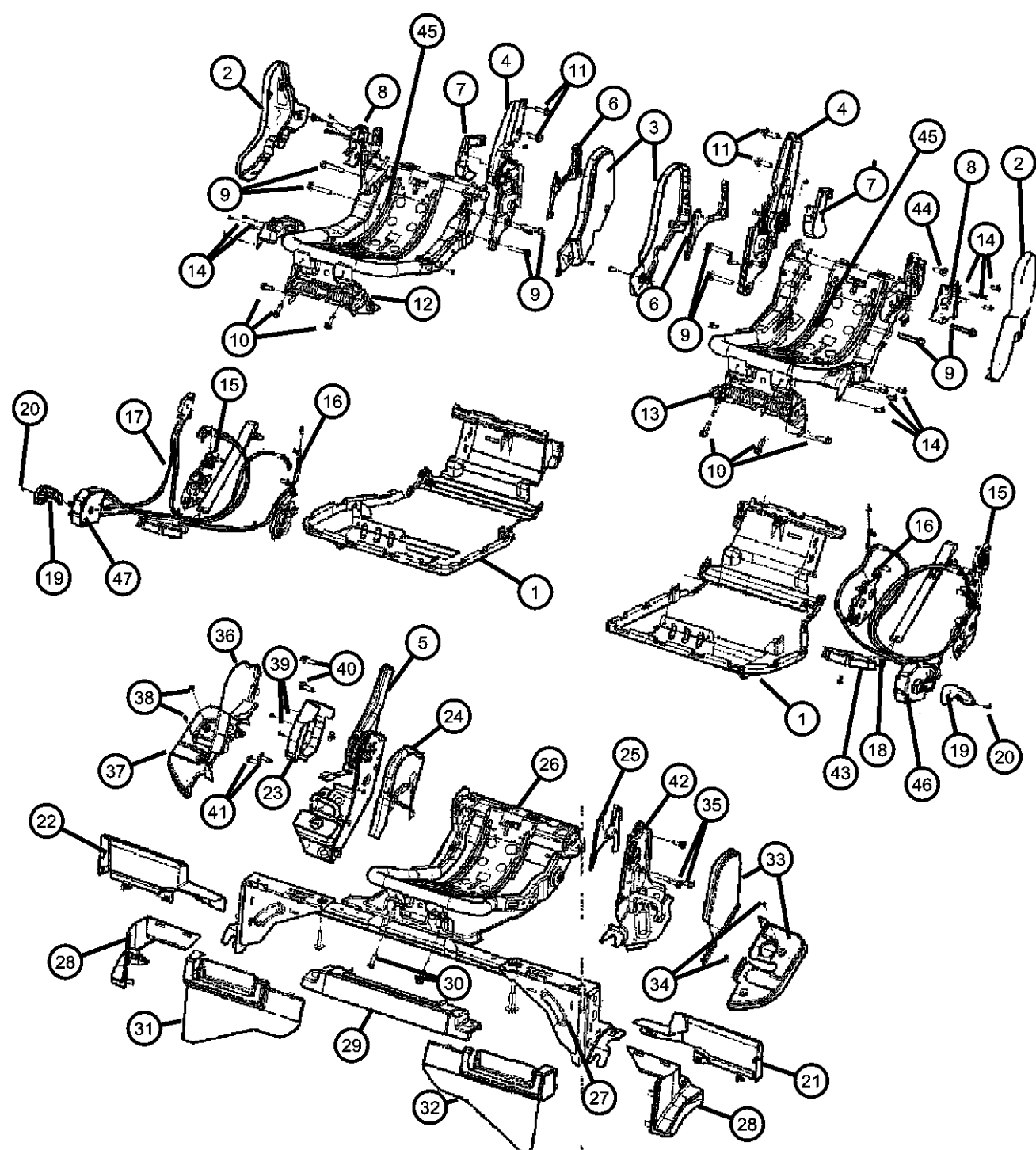


ITEM	PART NUMBER	QTY	LINE	SERIES	BODY	ENGINE	TRANS	TRIM	DESCRIPTION
1									PANEL, CUSHION COVER, 40%
	1DU541D1AA	1						*SL	[J1] [D1] With [CED] Light Graystone and [CDZ] Two-Toned, Right
	1DU541D5AA	1						*K7	[D5], Right
		1						*CL	[D5], Right
		1	J, T		74			*L5	[D5], Right
	1DU541J3AA	1						*CL	[J3], Right
		1						*K7	[J3], Right
		1	J, T		74			*L5	[J3], Right
	1DU541UYAA	1						*SL	[D1] With [CEC] Saddle Brown, Right
	1DU551D1AA	1						*SL	[J1] [D1] With [CED] Light Graystone and [CDZ] Two-Toned, Left
		1						*K7	[D5], Left
		1						*CL	[D5], Left
	1DU551J3AA	1						*K7	[J3], Left
		1	J, T		74			*L5	[D5], Left
		1						*CL	[J3], Left
		1	J, T		74			*L5	[J3], Left
	1DU551UYAA	1						*SL	[D1] With [CEC] Saddle Brown, Left
2									SHIELD, Seat, 40% Lower Outboard Shield
	1DT271D1AA	1						*SL	[J1], Left
	1DT271D5AA	1						*K7	[D5], Left
		1						*CL	[D5], Left
		1	J, T		74			*L5	[D5], Left
	1DT271J3AA	1						*K7	[J3], Left
		1						*CL	[J3], Left
		1	J, T		74			*L5	[J3], Left
	1DT271UYAA	1						*SL	[D1], Left
	1DT301D1AA	1						*SL	[J1], Right
	1DT301D5AA	1						*K7	[D5], Right
		1						*CL	[D5], Right
		1	J, T		74			*L5	[D5], Right
	1DT301J3AA	1						*K7	[J3], Right
		1						*CL	[J3], Right

NEW JEEP (XK)
 SERIES LINE BODY ENGINE TRANSMISSION
 H = HIGHLINE T = JEEP - 2WD 74 = SPORT UTILITY 4-DR EKG = 3.7L V6 Engine DGQ = 5-Spd Automatic 5-45RFE
 P = PREMIUM J = JEEP - 4WD EVA = 4.7L V8 MPI Engine Transmission
 EZB = 5.7L Hemi Multi DGJ = 5-Speed Automatic MB
 Displacement Engine Transmission

AR = use ase required - = Non illustrated part

Second Seat Hardware
Figure IXK-620



ITEM	PART NUMBER	QTY	LINE	SERIES	BODY	ENGINE	TRANS	TRIM	DESCRIPTION
	1DT801D1AA	1						*SL	[J1] [D1] With [CED] Light Graystone and [CDZ] Two-Toned, Right
	1DT801D5AA	1						*K7	[D5], Right
	1DT801J3AA	1	J, T		74			*CL	[D5], Right
	1DT801UYAA	1						*L5	[D5], Right
	1DT811D1AA	1	J, T		74			*K7	[J3], Right
	1DT811D5AA	1						*CL	[J3], Right
	1DT811J3AA	1	J, T		74			*SL	[D1] With [CEC] Saddle Brown, Right
	1DT811UYAA	1						*L5	[J3], Right
	05183639AA	1						*SL	[J1] [D1] With [CED] Light Graystone and [CDZ] Two-Toned, Left
	05183640AA	1	J, T		74			*K7	[D5], Left
		1						*CL	[D5], Left
		1	J, T		74			*L5	[D5], Left
		1						*K7	[J3], Left
		1						*CL	[J3], Left
		1	J, T		74			*L5	[J3], Left
		1						*SL	[D1] With [CEC] Saddle Brown, Left
7									SHIELD, Seat, 40% Recliner Cover
		1						*K7	Left
		1						*SL	Left
		1						*CL	Left
		1	J, T		74			*L5	Left
		1						*K7	Right
		1						*CL	Right
		1						*SL	Right
		1	J, T		74			*L5	Right
8									HANDLE, GRIP
	1DT761D1AA	1						*SL	[J1] [D1] With [CED] Light Graystone and [CDZ] Two-Toned, Right
	1DT761D5AA	1						*K7	[D5], Right
		1						*CL	[D5], Right
		1	J, T		74			*L5	[D5], Right

NEW JEEP (XK)

SERIES LINE
H = HIGHLINE T = JEEP - 2WD
P = PREMIUM J = JEEP - 4WD

BODY
74 = SPORT UTILITY 4-DR

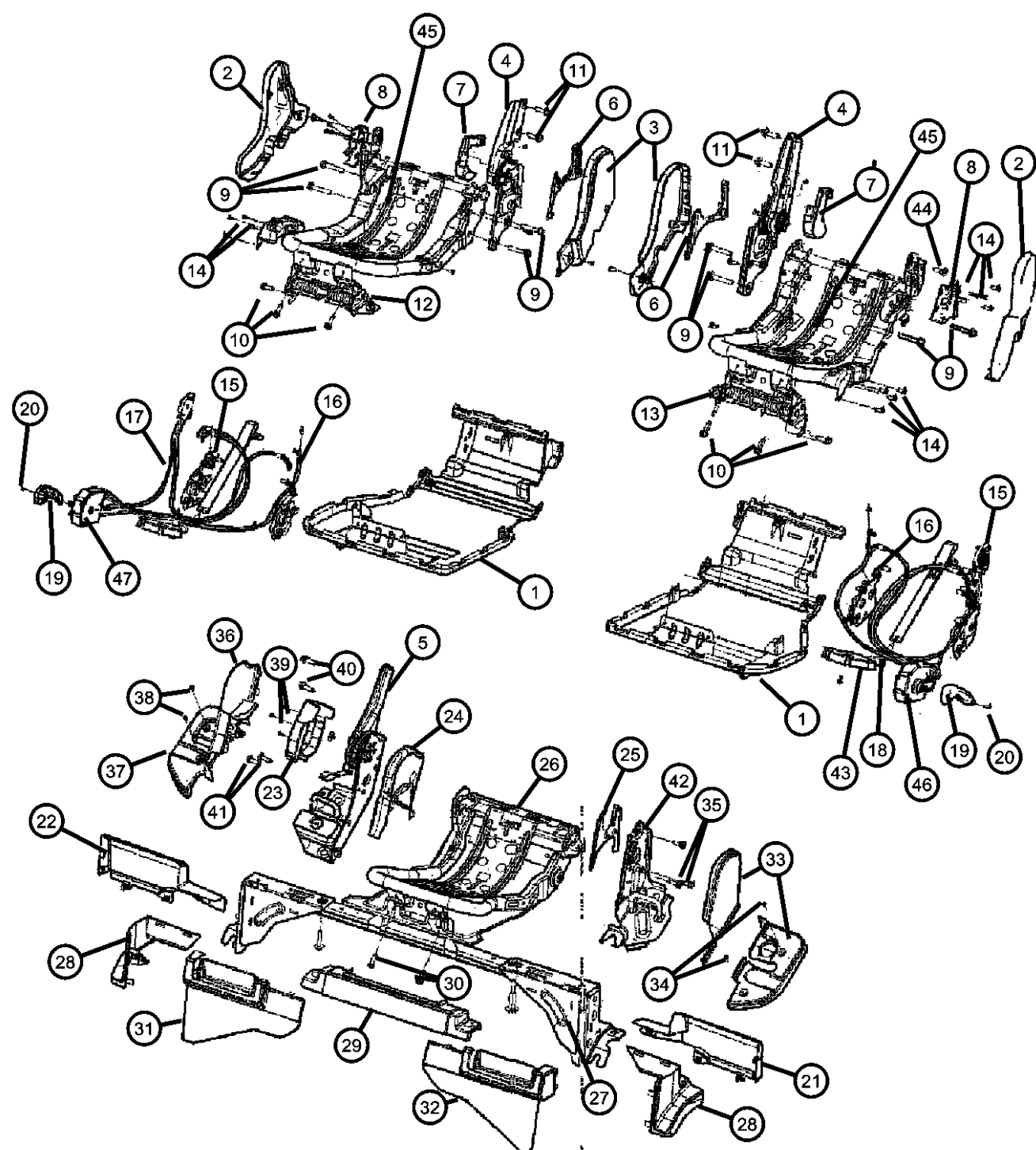
ENGINE
EKG = 3.7L V6 Engine
EVA = 4.7L V8 MPI Engine
EZB = 5.7L Hemi Multi Displacement Engine

TRANSMISSION
DGQ = 5-Spd Automatic 5-45RFE Transmission
DGJ = 5-Speed Automatic MB Transmission

AR = use ase required - = Non illustrated part

2006 XK

**Second Seat Hardware
Figure IXK-620**



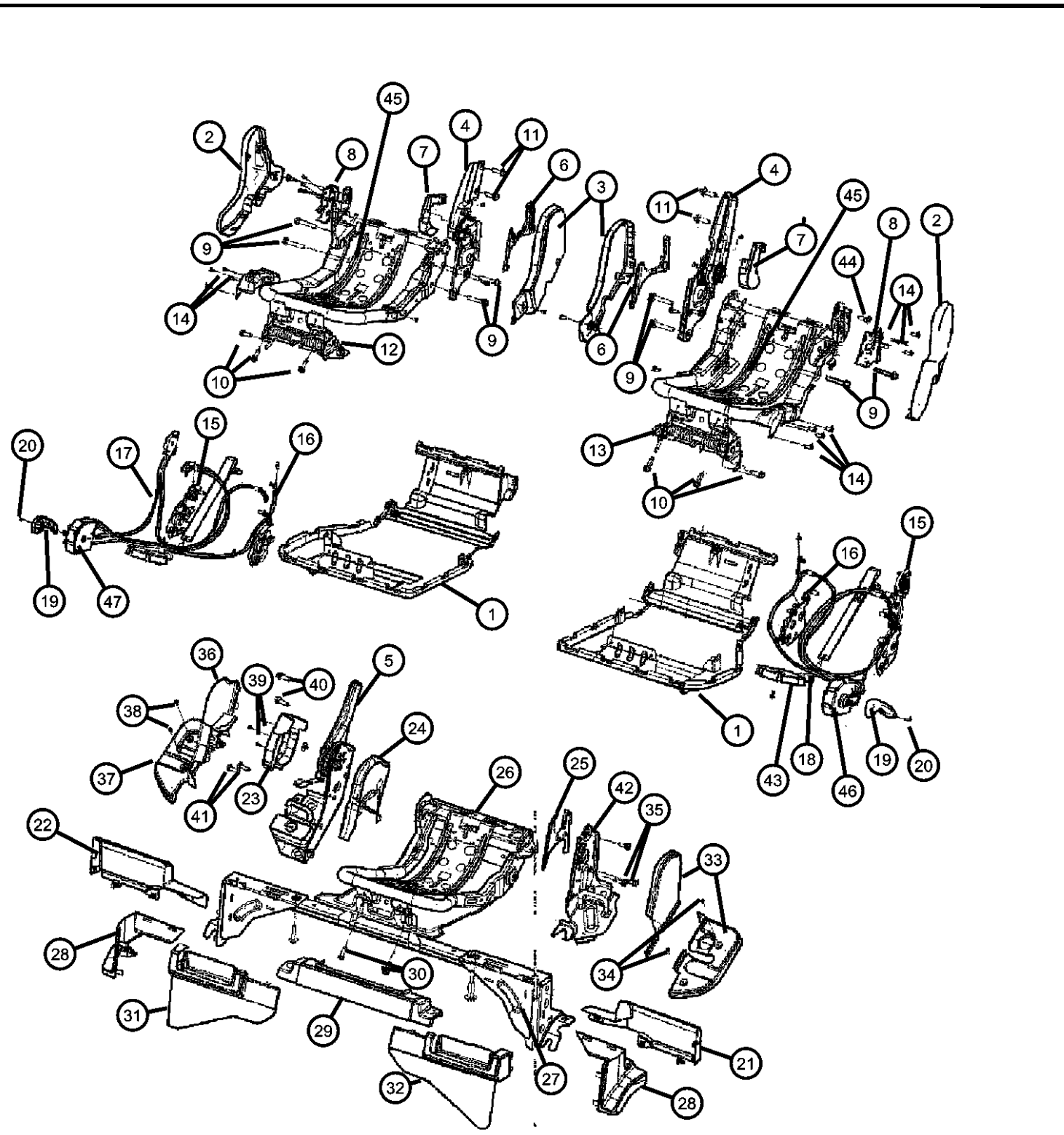
ITEM	PART NUMBER	QTY	LINE	SERIES	BODY	ENGINE	TRANS	TRIM	DESCRIPTION
	1DT761J3AA	1						*K7	[J3], Right
		1						*CL	[J3], Right
	1DT761UYAA	1	J, T		74			*L5	[J3], Right
	1DT771D1AA	1						*SL	[D1] With [CEC] Saddle Brown, Right
	1DT771D5AA	1						*SL	[J1] [D1] With [CED] Light Graystone and [CDZ] Two-Toned, Left
		1	J, T		74			*K7	[D5], Left
		1						*CL	[D5], Left
	1DT771J3AA	1	J, T		74			*L5	[D5], Left
		1						*K7	[J3], Left
		1						*CL	[J3], Left
	1DT771UYAA	1	J, T		74			*L5	[J3], Left
		1						*SL	[D1] With [CEC] Saddle Brown, Left
9									BOLT
	05183685AA	4						*K7	
		4						*CL	
		4	J, T		74			*SL	
		4						*L5	
10									BOLT, Recliner
	05093647AA	12						*K7	
		12						*SL	
		12	J, T		74			*CL	
		12						*L5	
11									BOLT, 2ND ROW RECLINER
	05183638AA	1						*K7	
		1						*SL	
		1	J, T		74			*CL	
		1						*L5	
12									HINGE, 2ND ROW CUSHION
	05183626AA	1						*SL	Right
		1						*K7	Right
		1						*CL	Right
		1	J, T		74			*L5	Right

NEW JEEP (XK)
 SERIES LINE BODY ENGINE TRANSMISSION
 H = HIGHLINE T = JEEP - 2WD 74 = SPORT UTILITY 4-DR EKG = 3.7L V6 Engine DGQ = 5-Spd Automatic 5-45RFE
 P = PREMIUM J = JEEP - 4WD EVA = 4.7L V8 MPI Engine Transmission
 EZB = 5.7L Hemi Multi DGJ = 5-Speed Automatic MB
 Displacement Engine Transmission

AR = use ase required - = Non illustrated part

<< RETURN TO GROUP INDEX

**Second Seat Hardware
Figure IXK-620**



ITEM	PART NUMBER	QTY	LINE	SERIES	BODY	ENGINE	TRANS	TRIM	DESCRIPTION
13	05183627AA	1						*K7	HINGE, 2ND ROW CUSHION Left
		1						*SL	Left
		1						*CL	Left
		1	J, T		74			*L5	Left
14	05143453AA	18						*K7	SCREW, Seat
		18						*SL	
		18						*CL	
		18	J, T		74			*L5	
15	05183682AA	1						*K7	LATCH, Seat, Outer
		1						*SL	
		1						*CL	
		1	J, T		74			*L5	
16	05183684AA	1						*K7	LATCH, Seat, Inner
		1						*SL	
		1						*CL	
		1	J, T		74			*L5	
17	05183652AA	1						*K7	CABLE, 2ND ROW CUSHION Outer, Right
		1						*SL	Outer, Right
		1						*CL	Outer, Right
		1	J, T		74			*L5	Outer, Right
18	05183625AA	1						*K7	CABLE, 2ND ROW CUSHION Outer, Left
		1						*SL	Outer, Left
		1						*CL	Outer, Left
		1	J, T		74			*L5	Outer, Left
19	1DT701D1AA	1						*SL	HANDLE, Seat Release [J1] [D1] With [CDZ] Two-Toned and [CED] Graystone, Right
	1DT701D5AA	1						*K7	[D5], Right
		1						*CL	[D5], Right

NEW JEEP (XK)
 SERIES LINE BODY ENGINE TRANSMISSION
 H = HIGHLINE T = JEEP - 2WD 74 = SPORT UTILITY 4-DR EKG = 3.7L V6 Engine DGQ = 5-Spd Automatic 5-45RFE
 P = PREMIUM J = JEEP - 4WD EVA = 4.7L V8 MPI Engine Transmission
 EZB = 5.7L Hemi Multi DGJ = 5-Speed Automatic MB
 Displacement Engine Transmission

AR = use ase required - = Non illustrated part

**Second Seat Hardware
Figure IXK-620**

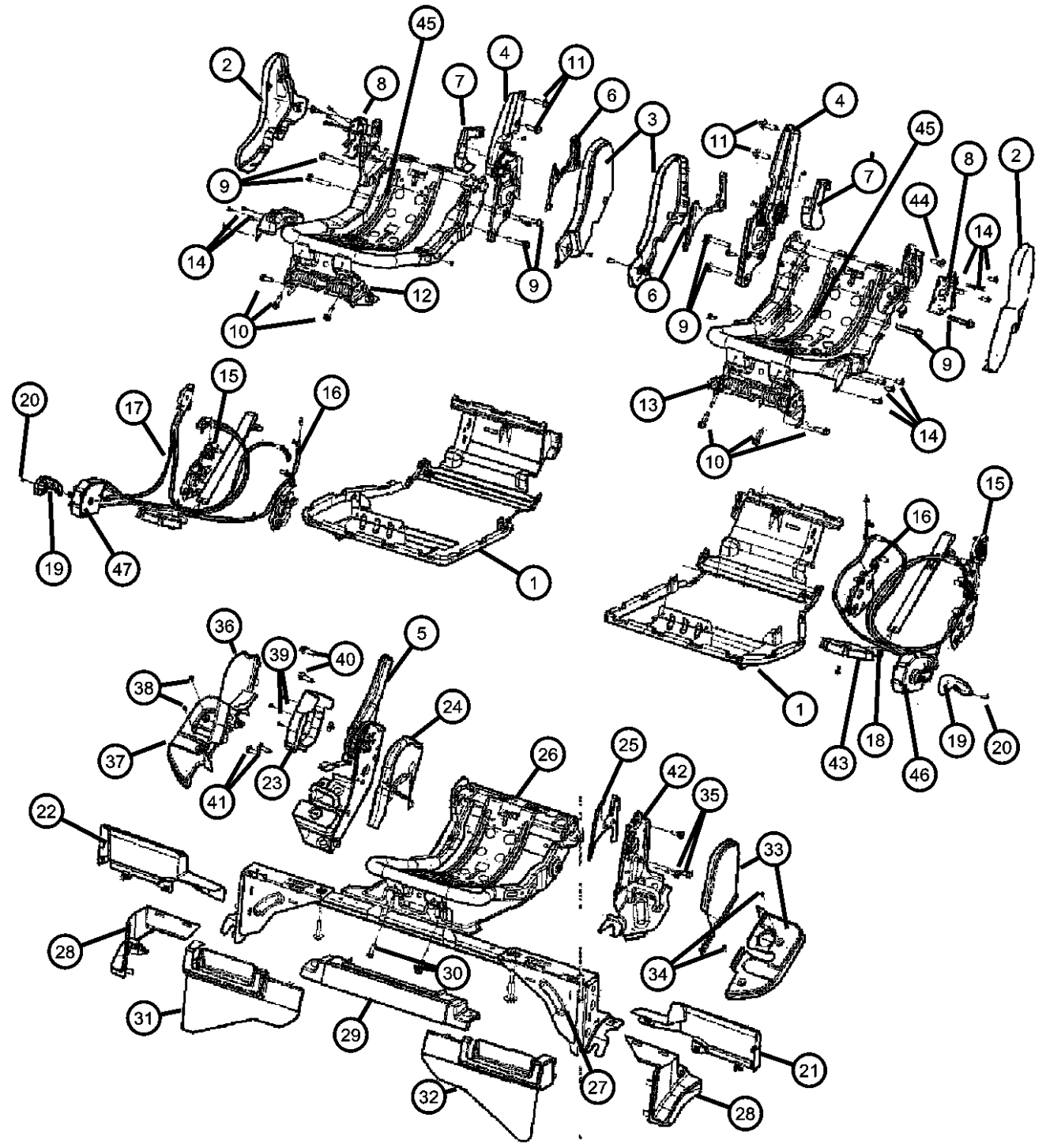
ITEM	PART NUMBER	QTY	LINE	SERIES	BODY	ENGINE	TRANS	TRIM	DESCRIPTION
	1DT701J3AA	1	J, T		74			*L5	[D5], Right
		1						*K7	[J3], Right
		1						*CL	[J3], Right
	1DT701UYAA	1	J, T		74			*L5	[J3], Right
		1						*SL	[D1] With [CEC] Saddle Brown, Right
	1DT711D1AA	1						*SL	[J1] [D1] With [CDZ] Two-Toned and [CED] Graystone, Left
	1DT711D5AA	1						*K7	[D5], Left
		1						*CL	[D5], Left
	1DT711J3AA	1	J, T		74			*L5	[D5], Left
		1						*K7	[J3], Left
		1						*CL	[J3], Left
	1DT711UYAA	1	J, T		74			*L5	[J3], Left
	1						*SL	[D1] With [CEC] Saddle Brown, Left	
20	05183672AA	1							SCREW, CUSHION FRAME
	1							*K7	
	1							*SL	
	1							*CL	
21		1	J, T		74			*L5	SHIELD, Seat, 40% Left Outer Pivot shield
	1DT291D1AA	1						*SL	[J1]40% Outer Pivot Shield, Left
	1DT291D5AA	1						*K7	[D5]40% Outer Pivot Shield, Left
	1							*CL	[D5]40% Outer Pivot Shield, Left
	1	J, T		74				*L5	[D5]40% Outer Pivot Shield, Left
	1DT291J3AA	1						*K7	[J3]40% Outer Pivot Shield, Left
	1							*CL	[J3]40% Outer Pivot Shield, Left
	1DT291UYAA	1	J, T		74			*L5	[J3]40% Outer Pivot Shield, Left
	1							*SL	[D1]40% Outer Pivot Shield, Left
22		1							SHIELD, Seat, 40% Right Outer Pivot Shield
	1DT741D1AA	1						*SL	[J1] [D1] With [CDZ] Two-Toned and [CED] Graystone, Right
	1DT741D5AA	1						*K7	[D5], Right
	1							*CL	[D5], Right
	1	J, T		74				*L5	[D5], Right

NEW JEEP (XK)
 SERIES LINE BODY ENGINE TRANSMISSION
 H = HIGHLINE T = JEEP - 2WD 74 = SPORT UTILITY 4-DR EKG = 3.7L V6 Engine DGQ = 5-Spd Automatic 5-45RFE
 P = PREMIUM J = JEEP - 4WD EVA = 4.7L V8 MPI Engine Transmission
 EZB = 5.7L Hemi Multi DGJ = 5-Speed Automatic MB
 Displacement Engine Transmission

AR = use ase required - = Non illustrated part

**Second Seat Hardware
Figure IXK-620**

ITEM	PART NUMBER	QTY	LINE	SERIES	BODY	ENGINE	TRANS	TRIM	DESCRIPTION		
30	1DT781J3AA	1			74			*K7 [D5]			
		1	J, T					*L5 [D5]			
		1							*K7 [J3]		
		1							*CL [J3]		
		1	J, T			74			*L5 [J3]		
		1							*SL [D1] With [CEC] Saddle Brown		
		1							BOLT, Recliner		
		1							*SL		
		1							*CL		
		1							*K7		
		1	J, T			74			*L5		
		31	1DT751D1AA	1							SHIELD, Seat
1								*SL [J1] [D1] With [CDZ] Two-Toned and [CED] Graystone			
1									*K7 [D5]		
1									*CL [D5]		
1	J, T					74			*L5 [D5]		
1									*CL [J3]		
1									*K7 [J3]		
1	J, T					74			*L5 [J3]		
1									*SL [D1] With [CEC] Saddle Brown		
32	1DT541D1AA			1							SHIELD, Seat
				1						*SL [J1] [D1] With [CDZ] Two-Toned and [CED] Graystone	
				1							*CL [D5]
		1							*K7 [D5]		
		1	J, T			74			*L5 [D5]		
		1							*CL [J3]		
		1							*K7 [J3]		
		1	J, T			74			*L5 [J3]		
		1							*SL [D1] With [CEC] Saddle Brown		
		33	1DT541J3AA	1							SHIELD, Seat
				1						*SL [J1] [D1] With [CDZ] Two-Toned and [CED] Graystone, Two Piece	
				1							*CL [D5] Two Piece
1									*K7 [D5] Two Piece		
1	J, T					74			*L5 [D5]		
1									*CL [J3]		
1									*K7 [J3]		
1	J, T					74			*L5 [J3]		
1									*SL [D1] With [CEC] Saddle Brown		
	1DT371D1AA			1						*SL [J1] [D1] With [CDZ] Two-Toned and [CED] Graystone, Two Piece	
				1						*CL [D5] Two Piece	
				1						*K7 [D5] Two Piece	



NEW JEEP (XK)
 SERIES LINE BODY ENGINE TRANSMISSION
 H = HIGHLINE T = JEEP - 2WD 74 = SPORT UTILITY 4-DR EKG = 3.7L V6 Engine DGQ = 5-Spd Automatic 5-45RFE
 P = PREMIUM J = JEEP - 4WD EVA = 4.7L V8 MPI Engine Transmission
 EZB = 5.7L Hemi Multi DGJ = 5-Speed Automatic MB
 Displacement Engine Transmission

AR = use ase required - = Non illustrated part

Second Seat Hardware
Figure IXK-620

	ITEM	PART NUMBER	QTY	LINE	SERIES	BODY	ENGINE	TRANS	TRIM	DESCRIPTION
		1DT371J3AA	1	J, T		74			*L5	[D5] Two Piece
		1DT371UYAA	1	J, T		74			*K7	[J3] Two Piece
		05183672AA	2						*CL	[J3] Two Piece
		05093647AA	2						*K7	[J3] Two Piece
		1DT791D1AA	1	J, T		74			*SL	[D1] With [CEC] Saddle Brown, Two Piece
		1DT791D5AA	1	J, T		74			*L5	[J3] Two Piece
		1DT791J3AA	1	J, T		74			*SL	[D1] With [CEC] Saddle Brown
		1DT791UYAA	1	J, T		74			*K7	[J3] Two Piece
		1DT821D1AA	1	J, T		74			*SL	[D1] With [CEC] Saddle Brown
		1DT821D5AA	1	J, T		74			*L5	[J3] Two Piece
		1DT821J3AA	1	J, T		74			*K7	[J3] Two Piece
		1DT821UYAA	1	J, T		74			*SL	[D1] With [CEC] Saddle Brown
		05183672AA	2						*CL	[J3] Two Piece
		05093647AA	2						*K7	[J3] Two Piece
		05183672AA	2						*SL	[D1] With [CEC] Saddle Brown, Two Piece
		05093647AA	2	J, T		74			*L5	[J3] Two Piece
		05183672AA	2						*CL	[J3] Two Piece
		05093647AA	2						*K7	[J3] Two Piece
		05183672AA	2						*SL	[D1] With [CEC] Saddle Brown, Two Piece

NEW JEEP (XK)

SERIES LINE
 H = HIGHLINE T = JEEP - 2WD
 P = PREMIUM J = JEEP - 4WD

BODY
 74 = SPORT UTILITY 4-DR

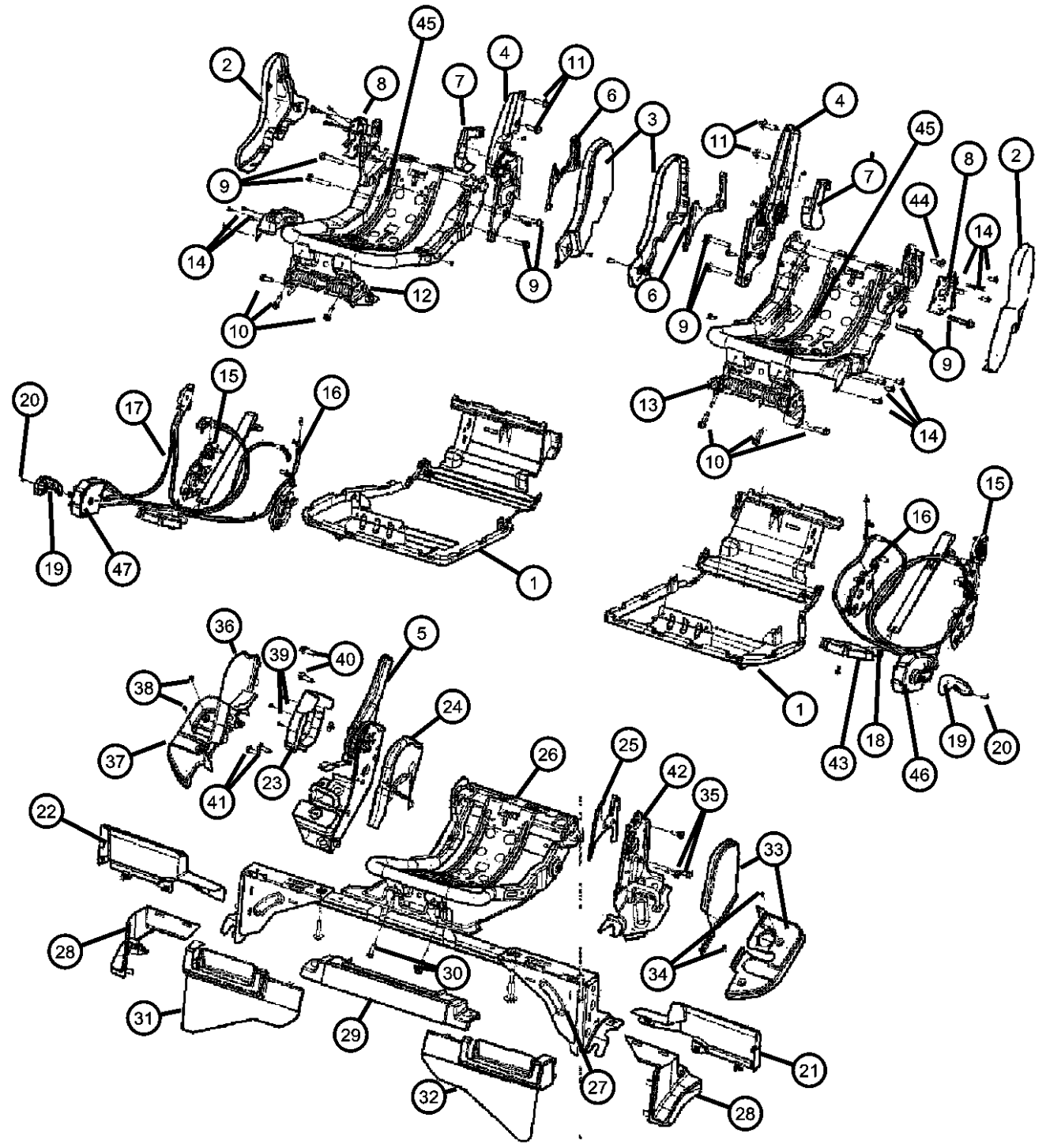
ENGINE
 EKG = 3.7L V6 Engine
 EVA = 4.7L V8 MPI Engine
 EZB = 5.7L Hemi Multi Displacement Engine

TRANSMISSION
 DGQ = 5-Spd Automatic 5-45RFE Transmission
 DGJ = 5-Speed Automatic MB Transmission

AR = use ase required - = Non illustrated part

2006 XK

**Second Seat Hardware
Figure IXK-620**



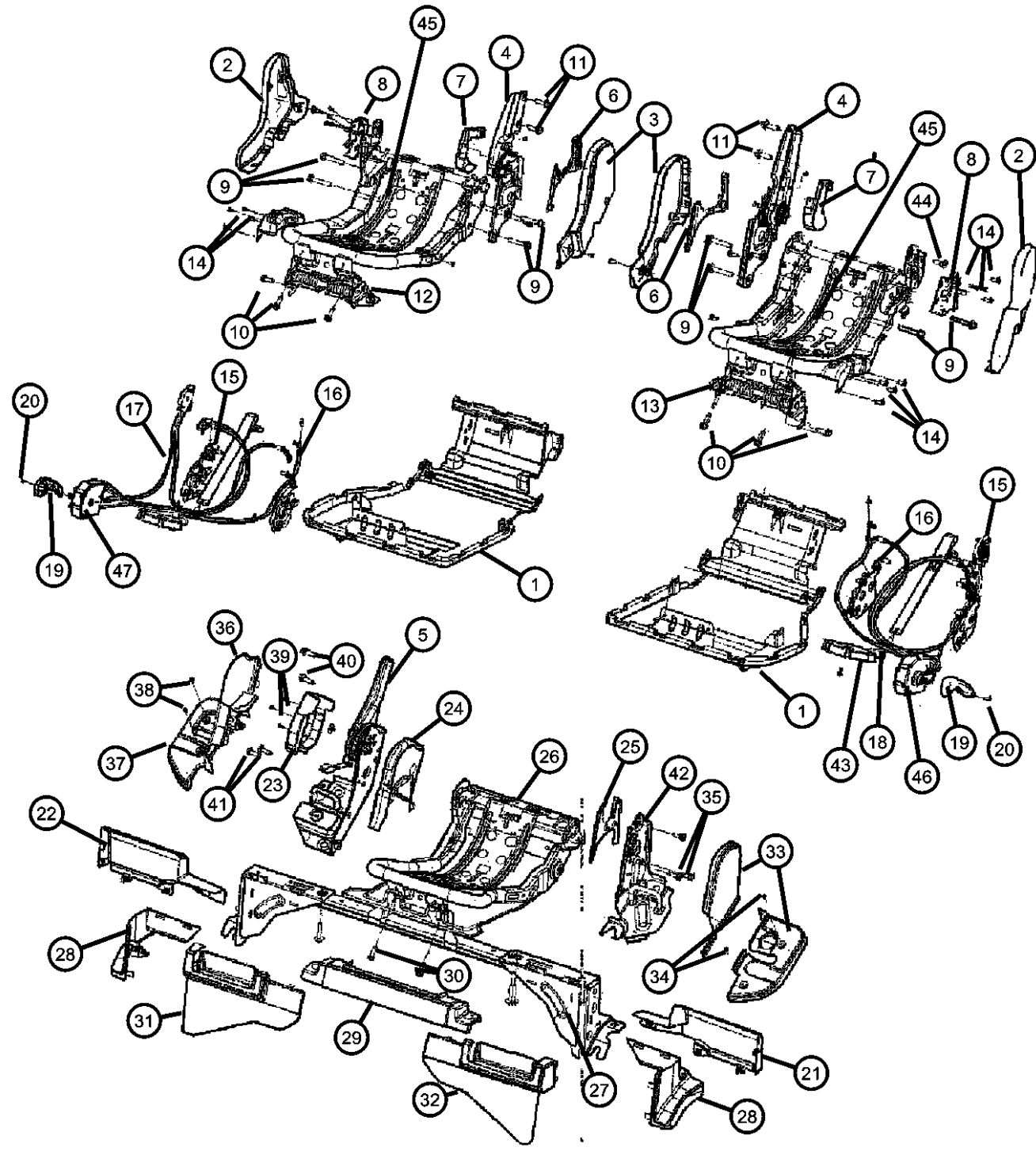
ITEM	PART NUMBER	QTY	LINE	SERIES	BODY	ENGINE	TRANS	TRIM	DESCRIPTION
38	05143453AA	1							SCREW, Seat
		1						*CL	
		1						*SL	
		1						*K7	
		1	J, T		74			*L5	
39	05183672AA	2							SCREW, CUSHION FRAME
		2						*K7	
		2						*SL	
		2						*CL	
		2	J, T		74			*L5	
40	05183638AA	1							BOLT, 2ND ROW RECLINER
		1						*K7	
		1						*SL	
		1						*CL	
		1	J, T		74			*L5	
41	05093647AA	1							BOLT, Recliner
		1						*CL	
		1						*SL	
		1						*K7	
		1	J, T		74			*L5	
42	05183642AA	1							BRACKET, STRIKER
		1						*K7	
		1						*SL	
		1						*CL	
		1	J, T		74			*L5	
43	05183687AA	1							CABLE, EFFORT BOX, Includes Strap
		1						*K7	
		1						*SL	
		1						*CL	
		1	J, T		74			*L5	
44	05139634AA	7							BOLT
		7						*SL	
		7						*CL	
		7						*K7	

NEW JEEP (XK)
 SERIES LINE BODY ENGINE TRANSMISSION
 H = HIGHLINE T = JEEP - 2WD 74 = SPORT UTILITY 4-DR EKG = 3.7L V6 Engine DGQ = 5-Spd Automatic 5-45RFE
 P = PREMIUM J = JEEP - 4WD EVA = 4.7L V8 MPI Engine Transmission
 EZB = 5.7L Hemi Multi DGJ = 5-Speed Automatic MB
 Displacement Engine Transmission

AR = use ase required - = Non illustrated part

2006 XK

**Second Seat Hardware
Figure IXK-620**



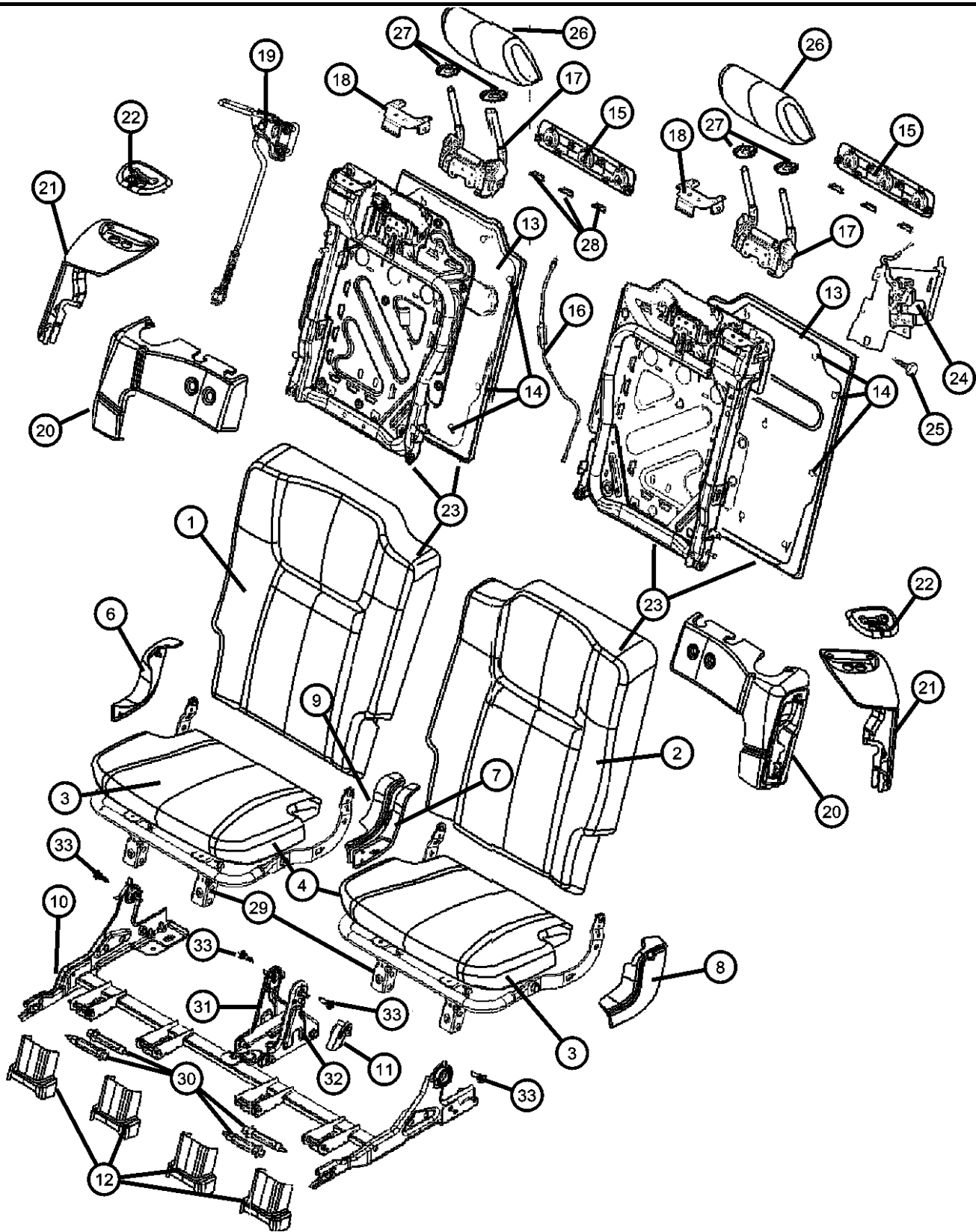
ITEM	PART NUMBER	QTY	LINE	SERIES	BODY	ENGINE	TRANS	TRIM	DESCRIPTION
45		7	J, T		74			*L5	FRAME, 2ND ROW CUSHION
	05191394AA	1						*K7	Right
		1						*SL	Right
		1						*CL	Right
	05191395AA	1	J, T		74			*L5	Right
		1						*K7	Left
		1	J, T		74			*CL	Left
		1	J, T		74			*SL	Left
		1	J, T		74			*L5	Left
46									CABLE, Lock Out
	05183690AA	1						*K7	
		1						*SL	
		1						*CL	
		1	J, T		74			*L5	
47									CABLE, Lock Out
	05183692AA	1						*SL	
		1						*CL	
		1						*K7	
		1	J, T		74			*L5	

NEW JEEP (XK)

SERIES	LINE	BODY	ENGINE	TRANSMISSION
H = HIGHLINE	T = JEEP - 2WD	74 = SPORT UTILITY 4-DR	EKG = 3.7L V6 Engine	DGQ = 5-Spd Automatic 5-45RFE
P = PREMIUM	J = JEEP - 4WD		EVA = 4.7L V8 MPI Engine	Transmission
			EZB = 5.7L Hemi Multi	DGJ = 5-Speed Automatic MB
			Displacement Engine	Transmission

AR = use ase required - = Non illustrated part

Third Row
Figure IXK-630



ITEM	PART NUMBER	QTY	LINE	SERIES	BODY	ENGINE	TRANS	TRIM	DESCRIPTION
1	1DU681D5AA	1						*K7 [D5]	COVER, Seat Back, Right
	1DU681J3AA	1	J, T		74			*L5 [D5]	
	1DV061D1AA	1						*K7 [J3]	
	1DV061UYAA	1	J, T		74			*L5 [J3]	
	1DV06BD-DAA	1						*SL [J1]	
	1DV381D5AA	1						*SL [D1], With [CEC] Saddle Brown	
	1DV381J3AA	1						*SL [D1], With [CED] Light Graystone	
2	1DU691D5AA	1						*CL [D5]	COVER, Seat Back, Left
	1DU691J3AA	1	J, T		74			*CL [J3]	
	1DV071D1AA	1						*K7 [D5]	
	1DV071UYAA	1	J, T		74			*L5 [D5]	
	1DV07BD-DAA	1						*K7 [J3]	
	1DV391D5AA	1						*L5 [J3]	
	1DV391J3AA	1						*SL [J1]	
3	1DU631D5AA	2						*SL [D1], With [CEC] Saddle Brown	COVER, Rear Seat Cushion, Right and Left
	1DU631J3AA	2	J, T		74			*SL [D1], With [CED] Light Graystone	
	1DU991D1AA	2						*CL [D5]	
	1DU991UYAA	2	J, T		74			*CL [J3]	
	1DU99BD-DAA	2						*K7 [D5]	
	1DV331D5AA	2						*K7 [J3]	
	1DV331J3AA	2						*SL [J1]	
4	05183629AA	2						*K7	FOAM, Seat Cushion, Right and Left
		2						*SL	

NEW JEEP (XK)

SERIES LINE
H = HIGHLINE T = JEEP - 2WD
P = PREMIUM J = JEEP - 4WD

BODY
74 = SPORT UTILITY 4-DR

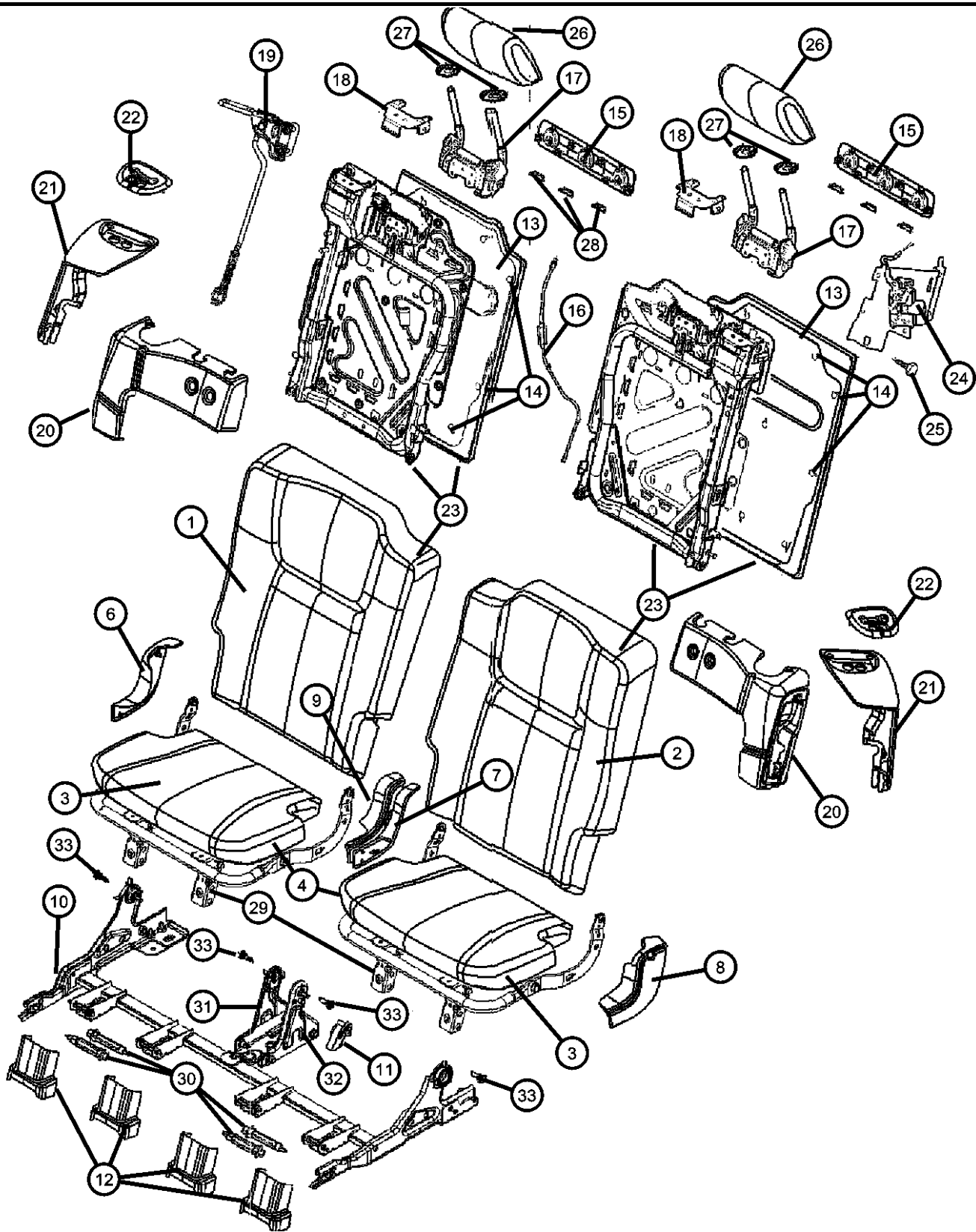
ENGINE
EKG = 3.7L V6 Engine
EVA = 4.7L V8 MPI Engine
EZB = 5.7L Hemi Multi Displacement Engine

TRANSMISSION
DGQ = 5-Spd Automatic 5-45RFE Transmission
DGJ = 5-Speed Automatic MB Transmission

AR = use ase required - = Non illustrated part

2006 XK

Third Row
Figure IXK-630



ITEM	PART NUMBER	QTY	LINE	SERIES	BODY	ENGINE	TRANS	TRIM	DESCRIPTION
-5		2						*CL	STRAP, Seat release
		2	J, T		74			*L5	
	1DT831D1AA	2						*SL	[D1]
		2						*SL	[J1]
	1DT831D5AA	2						*K7	[D5]
		2						*CL	[D5]
	1DT831J3AA	2						*K7	[J3]
		2						*CL	[J3]
	1DT831UYAA	2						*SL	[D1] With [CEC] Saddle Brown
	1DT83BDDAA	1						*SL	[D1] With [CED] Light Graystone
6									SHIELD, Seat, Right, Outboard
	1DT441D1AA	1						*SL	[J1]
		1						*SL	[D1], With [CED] Light Graystone
	1DT441D5AA	1						*K7	[D5]
		1						*CL	[D5]
		1	J, T		74			*L5	[D5]
	1DT441J3AA	1						*K7	[J3]
		1						*CL	[J3]
		1	J, T		74			*L5	[J3]
	1DT441UYAA	1						*SL	[D1], With [CEC] Saddle Brown
7									SHIELD, Seat, Right, Drive Link Cover
	1DT461D1AA	1						*SL	[J1]
		1						*SL	[D1], With [CED] Light Graystone
	1DT461D5AA	1						*K7	[D5]
		1						*CL	[D5]
		1	J, T		74			*L5	[D5]
	1DT461J3AA	1						*CL	[J3]
		1						*K7	[J3]
		1	J, T		74			*L5	[J3]
	1DT461UYAA	1						*SL	[D1], With [CEC] Saddle Brown
8									SHIELD, Seat, Left, Outboard
	1DT381D1AA	1						*SL	[J1]
		1						*SL	[D1], With [CED] Light Graystone

NEW JEEP (XK)

SERIES LINE
H = HIGHLINE T = JEEP - 2WD
P = PREMIUM J = JEEP - 4WD

BODY
74 = SPORT UTILITY 4-DR

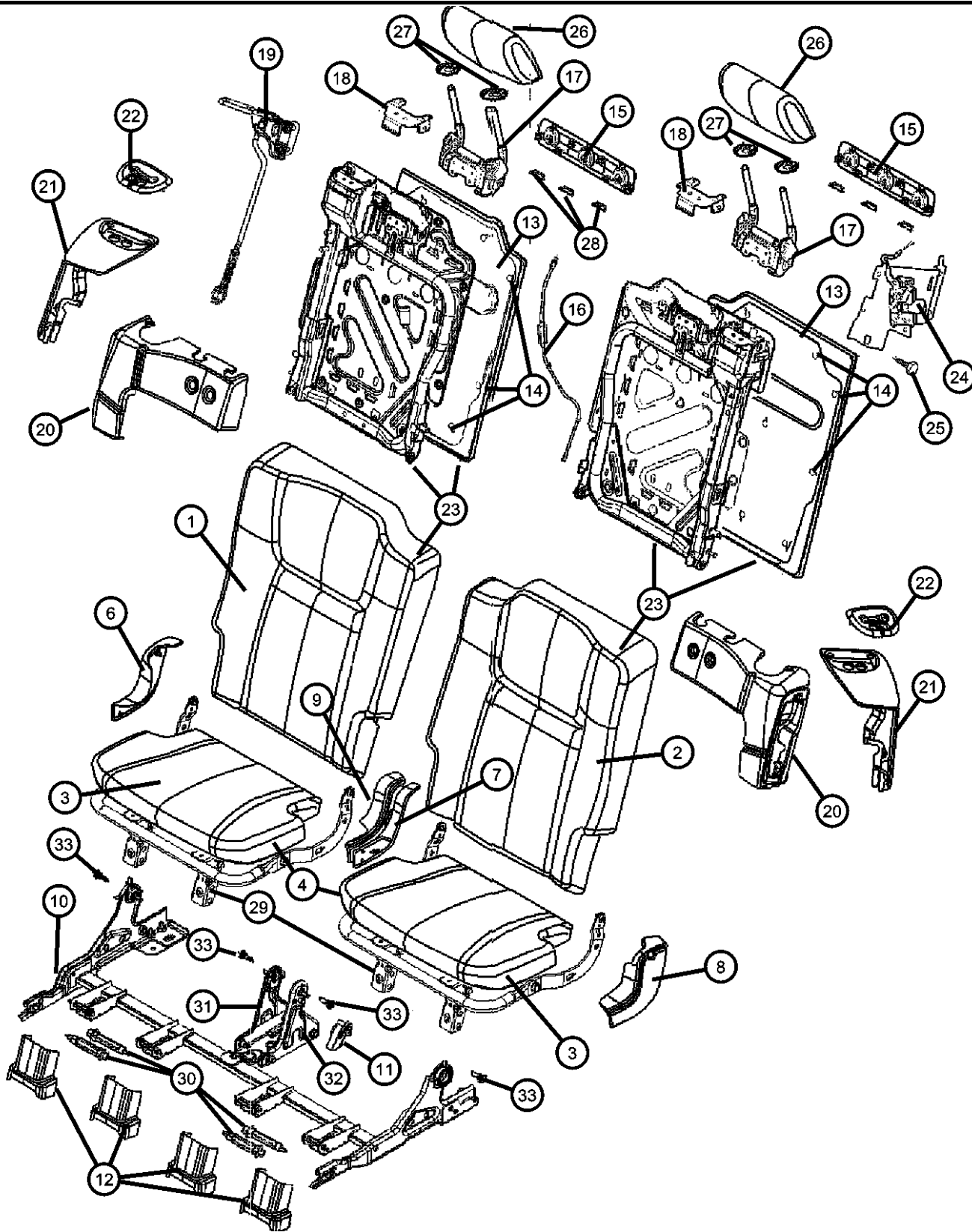
ENGINE
EKG = 3.7L V6 Engine
EVA = 4.7L V8 MPI Engine
EZB = 5.7L Hemi Multi Displacement Engine

TRANSMISSION
DGQ = 5-Spd Automatic 5-45RFE Transmission
DGJ = 5-Speed Automatic MB Transmission

AR = use ase required - = Non illustrated part

2006 XK

Third Row
Figure IXK-630



ITEM	PART NUMBER	QTY	LINE	SERIES	BODY	ENGINE	TRANS	TRIM	DESCRIPTION
	1DT381D5AA	1						*CL	[D5]
		1						*K7	[D5]
	1DT381J3AA	1	J, T		74			*L5	[D5]
		1						*K7	[J3]
		1						*CL	[J3]
	1DT381UYAA	1	J, T		74			*L5	[J3]
9		1						*SL	[D1], With [CEC] Saddle Brown SHIELD, Seat, Left, Drive Link Cover
	1DT391D1AA	1						*SL	[J1]
		1						*SL	[D1], With [CED] Light Graystone
	1DT391D5AA	1						*K7	[D5]
		1						*CL	[D5]
		1	J, T		74			*L5	[D5]
	1DT391J3AA	1						*K7	[J3]
		1						*CL	[J3]
	1DT391UYAA	1	J, T		74			*SL	[D1], With [CEC] Saddle Brown
10		1						*L5	[J3]
	05183631AA	1	J, T		74				BRACKET, Mounting
		1						*K7	
		1						*SL	
		1						*CL	
11		1	J, T		74			*L5	
	05183650AA	1							CAM, Seat Cable
		1						*K7	Right
		1						*SL	Right
		1						*CL	Right
		1	J, T		74			*L5	Right
	05183651AA	1						*K7	Left
		1						*SL	Left
		1						*CL	Left
12		1	J, T		74			*L5	Left
		4							SHIELD, Seat, Third Leg
	1DT411D1AA	4						*SL	[J1]
		4						*SL	[D1], With [CED] Light Graystone

NEW JEEP (XK)

SERIES LINE
H = HIGHLINE T = JEEP - 2WD
P = PREMIUM J = JEEP - 4WD

BODY
74 = SPORT UTILITY 4-DR

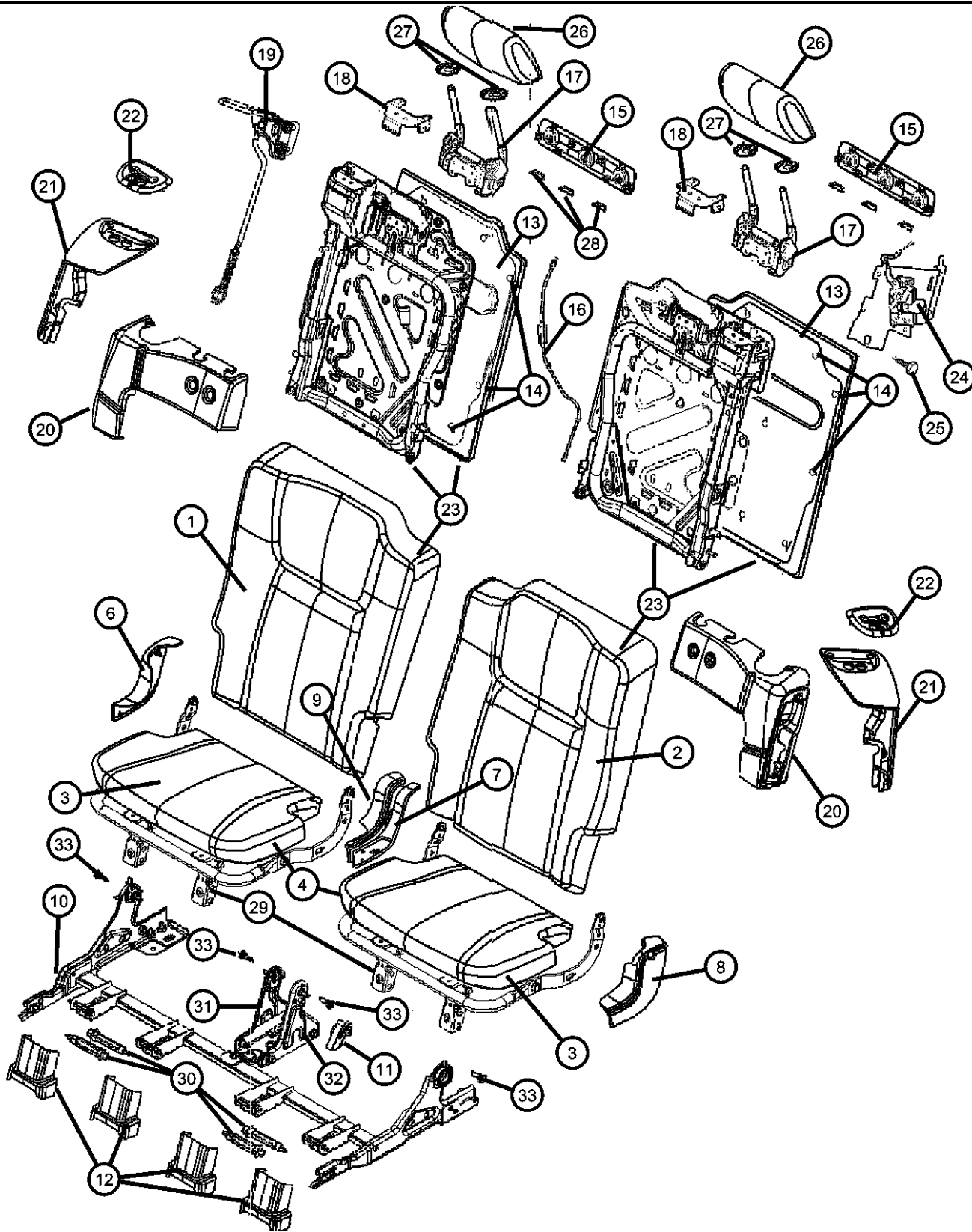
ENGINE
EKG = 3.7L V6 Engine
EVA = 4.7L V8 MPI Engine
EZB = 5.7L Hemi Multi Displacement Engine

TRANSMISSION
DGQ = 5-Spd Automatic 5-45RFE Transmission
DGJ = 5-Speed Automatic MB Transmission

AR = use ase required - = Non illustrated part

2006 XK

Third Row
Figure IXK-630



ITEM	PART NUMBER	QTY	LINE	SERIES	BODY	ENGINE	TRANS	TRIM	DESCRIPTION
		1	J, T		74			*L5	[D5]
	1DU591J3AA	1						*K7	[J3]
		1						*CL	[J3]
		1	J, T		74			*L5	[J3]
16	1DU591UYAA	1						*SL	[D1], With [CEC] Saddle Brown CABLE, HEADREST RELEASE
	05183693AA	1						*K7	
		1						*SL	
		1						*CL	
		1	J, T		74			*L5	
17									BRACKET AND HINGE, Headrest, Right and Left
	05183696AA	1						*K7	
		1						*SL	
		1						*CL	
		1	J, T		74			*L5	
18									BEZEL, RETRACTOR
	05183698AA	1						*K7	
		1						*CL	
		1						*SL	
		1	J, T		74			*L5	
19									STRIKER, Seat Back Latch
	05183700AA	1						*K7	Right
		1						*SL	Right
		1						*CL	Right
		1	J, T		74			*L5	Right
	05183701AA	1						*K7	Left
		1						*SL	Left
		1						*CL	Left
		1	J, T		74			*L5	Left
20									COVER, Headrest Retractor
	05183702AA	1						*SL	Right
		1						*K7	Right
		1						*CL	Right
		1	J, T		74			*L5	Right

NEW JEEP (XK)

SERIES LINE
H = HIGHLINE T = JEEP - 2WD
P = PREMIUM J = JEEP - 4WD

BODY
74 = SPORT UTILITY 4-DR

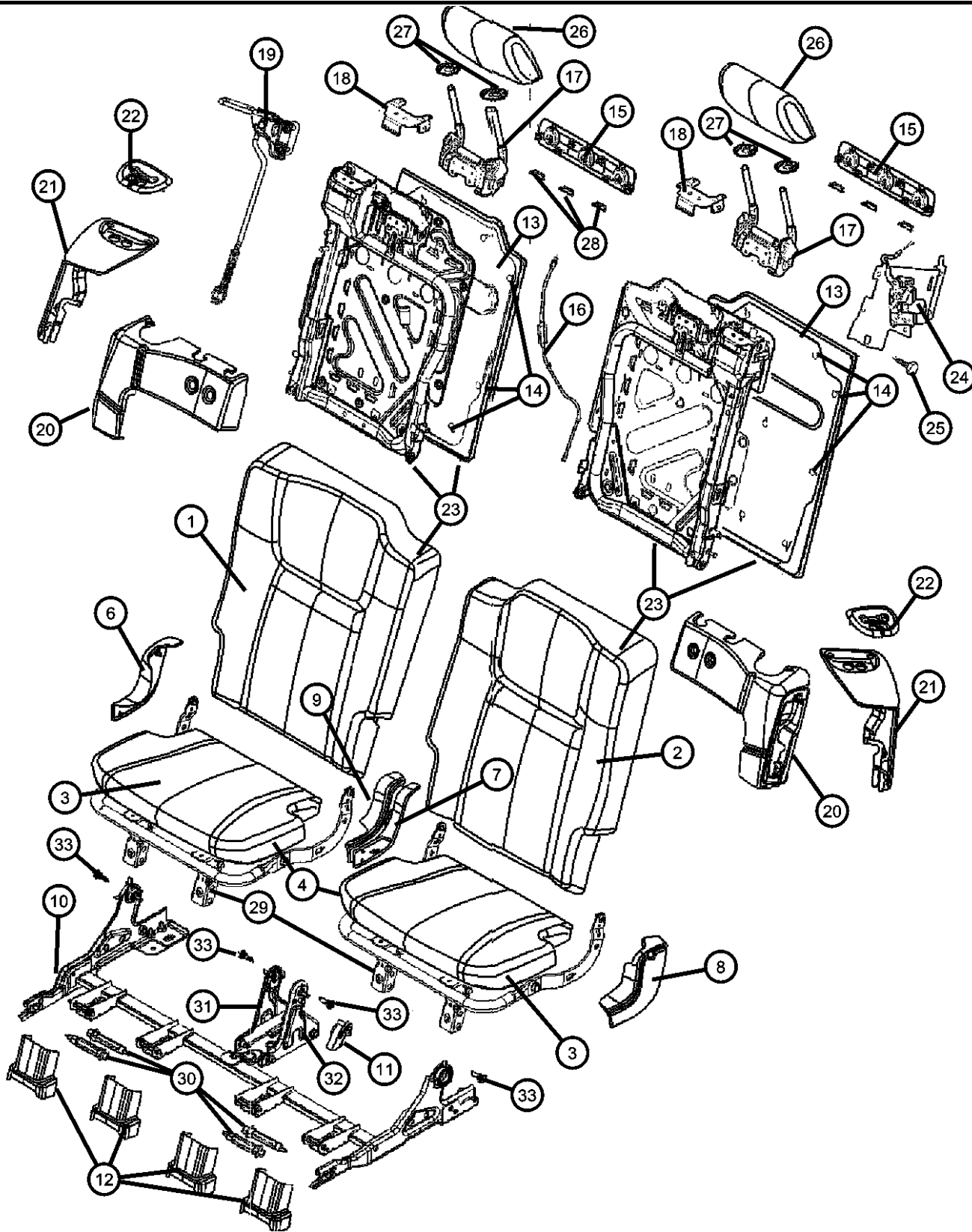
ENGINE
EKG = 3.7L V6 Engine
EVA = 4.7L V8 MPI Engine
EZB = 5.7L Hemi Multi
Displacement Engine

TRANSMISSION
DGQ = 5-Spd Automatic 5-45RFE
Transmission
DGJ = 5-Speed Automatic MB
Transmission

AR = use ase required - = Non illustrated part

2006 XK

Third Row
Figure IXK-630



ITEM	PART NUMBER	QTY	LINE	SERIES	BODY	ENGINE	TRANS	TRIM	DESCRIPTION
	05183703AA	1						*K7	Left
		1						*CL	Left
		1						*SL	Left
21		1	J, T		74			*L5	Left
									BEZEL, Striker
	1DU661D1AA	1						*SL	[J1], Right
		1						*SL	[D1] With [CED] Light Graystone, Right
	1DU661D5AA	1						*CL	[D5], Right
		1						*K7	[D5], Right
		1	J, T		74			*L5	[D5], Right
	1DU661J3AA	1						*K7	[J3], Right
		1						*CL	[J3], Right
		1	J, T		74			*L5	[J3], Right
	1DU661UYAA	1						*SL	[D1] With [CEC] Saddle Brown, Right
	1DU671D1AA	1						*SL	[J1], Left
		1						*SL	[D1] With [CED] Light Graystone, Left
	1DU671D5AA	1						*K7	[D5], Left
		1						*CL	[D5], Left
		1	J, T		74			*L5	[D5], Left
	1DU671J3AA	1						*K7	[J3], Left
		1						*CL	[J3], Left
		1	J, T		74			*L5	[J3], Left
	1DU671UYAA	1						*SL	[D1] With [CEC] Saddle Brown, Left
22									BEZEL, RETRACTOR, Right and Left
	1DU621D1AA	1						*SL	[J1]
		1						*SL	[D1] With [CED] Light Graystone
	1DU621D5AA	1						*K7	[D5]
		1						*CL	[D5]
		1	J, T		74			*L5	[D5]
	1DU621J3AA	1						*K7	[J3]
		1						*CL	[J3]
		1	J, T		74			*L5	[J3]

NEW JEEP (XK)

SERIES LINE
H = HIGHLINE T = JEEP - 2WD
P = PREMIUM J = JEEP - 4WD

BODY
74 = SPORT UTILITY 4-DR

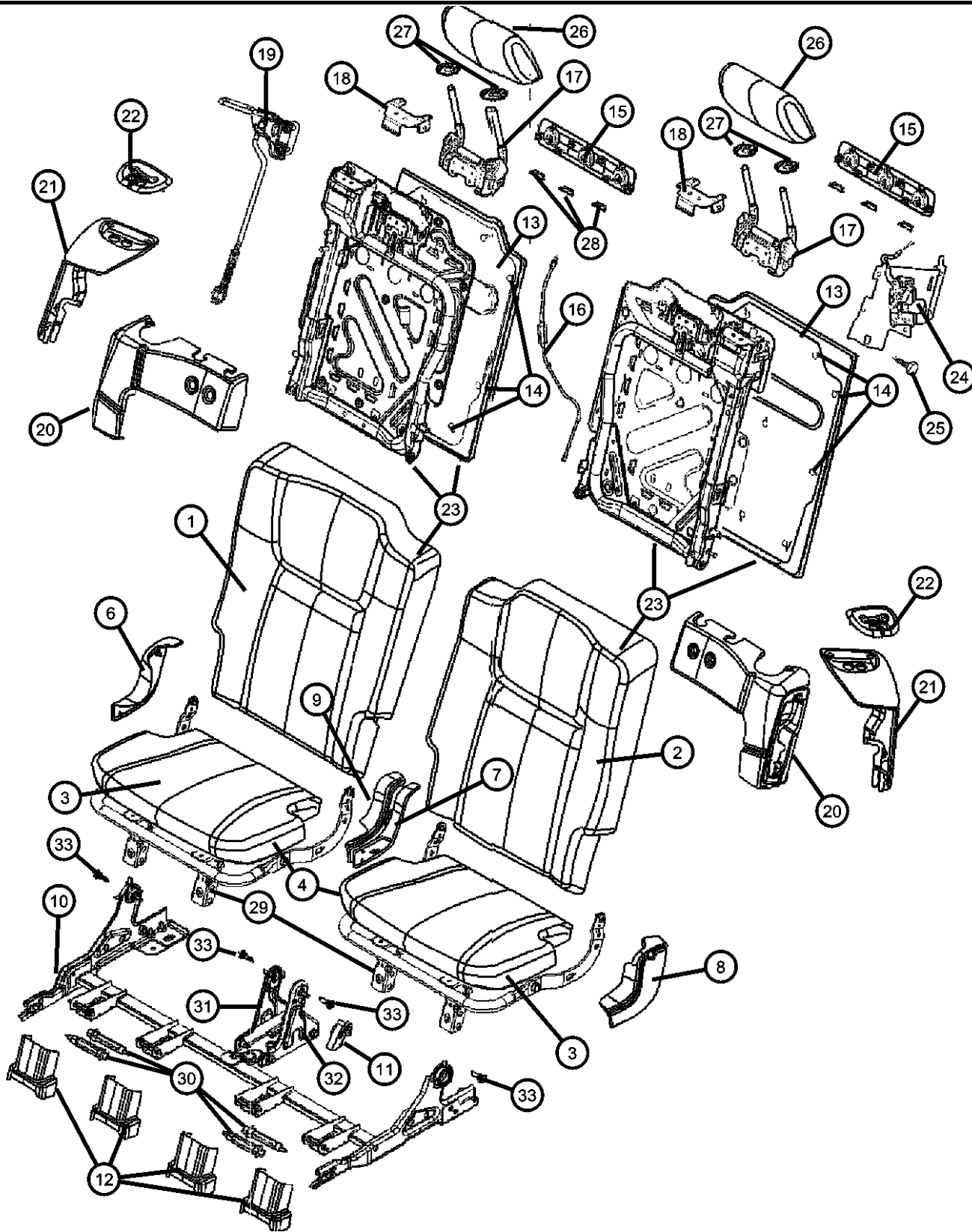
ENGINE
EKG = 3.7L V6 Engine
EVA = 4.7L V8 MPI Engine
EZB = 5.7L Hemi Multi Displacement Engine

TRANSMISSION
DGQ = 5-Spd Automatic 5-45RFE Transmission
DGJ = 5-Speed Automatic MB Transmission

AR = use ase required - = Non illustrated part

2006 XK

Third Row
Figure IXK-630



ITEM	PART NUMBER	QTY	LINE	SERIES	BODY	ENGINE	TRANS	TRIM	DESCRIPTION
23	1DU621UYAA	1						*SL	[D1] With [CEC] Saddle Brown SEAT BACK, Rear
	1DU601D5AA	1						*K7	[D5], Right
		1	J, T		74			*L5	[D5], Right
	1DU601J3AA	1						*K7	[J3], Right
		1	J, T		74			*L5	[J3], Right
	1DU611D5AA	1						*K7	[D5], Left
	1DU611J3AA	1						*K7	[J3], Left
		1	J, T		74			*L5	[D5], Left
		1	J, T		74			*L5	[J3], Left
	1DV041UYAA	1						*SL	[D1] With [CEC] Saddle Brown, Right
	1DV041D1AA	1						*SL	[J1], Right
	1DV04BD-DAA	1						*SL	[D1] With [CED] Light Graystone, Right
	1DV051D1AA	1						*SL	[J1], Left
	1DV05BD-DAA	1						*SL	[D1] With [CED] Light Graystone, Left
1DV051UYAA	1						*SL	[D1] With [CEC] Saddle Brown, Left	
24	1DV361D5AA	1						*CL	[D5], Right
	1DV361J3AA	1						*CL	[J3], Right
	1DV371D5AA	1						*CL	[D5], Left
	1DV371J3AA	1						*CL	[J3], Left
									LATCH, SEAT BACK, Cable and Latch Assembly
	55197330AC	1						*O0	Right
55197331AC	1						*O0	Left	
25	06104388AA	8							SCREW
26									HEADREST, Third Row
	1DT871D5AA	2						*K7	[D5]
		2	J, T		74			*L5	[D5]
	1DT871J3AA	2						*K7	[J3]
		3	J, T		74			*L5	[J3]
	1DU791D1AA	2						*SL	[J1]
1DU791UYAA	2						*SL	[D1] With [CEC] Saddle Brown	
1DV101J3AA	2						*CL	[J3]	

NEW JEEP (XK)

SERIES LINE
H = HIGHLINE T = JEEP - 2WD
P = PREMIUM J = JEEP - 4WD

BODY
74 = SPORT UTILITY 4-DR

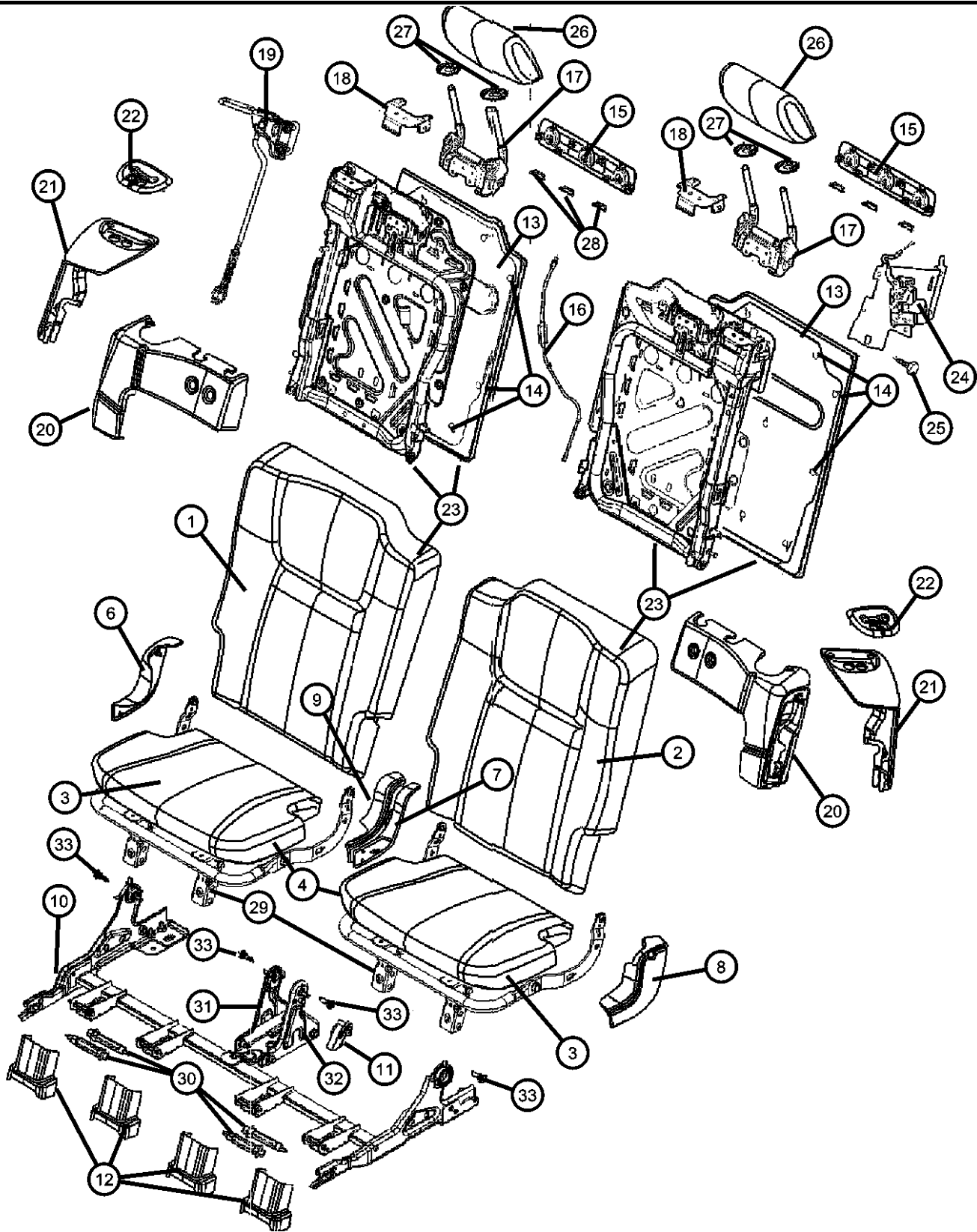
ENGINE
EKG = 3.7L V6 Engine
EVA = 4.7L V8 MPI Engine
EZB = 5.7L Hemi Multi
Displacement Engine

TRANSMISSION
DGQ = 5-Spd Automatic 5-45RFE
Transmission
DGJ = 5-Speed Automatic MB
Transmission

AR = use ase required - = Non illustrated part

2006 XK

Third Row
Figure IXK-630

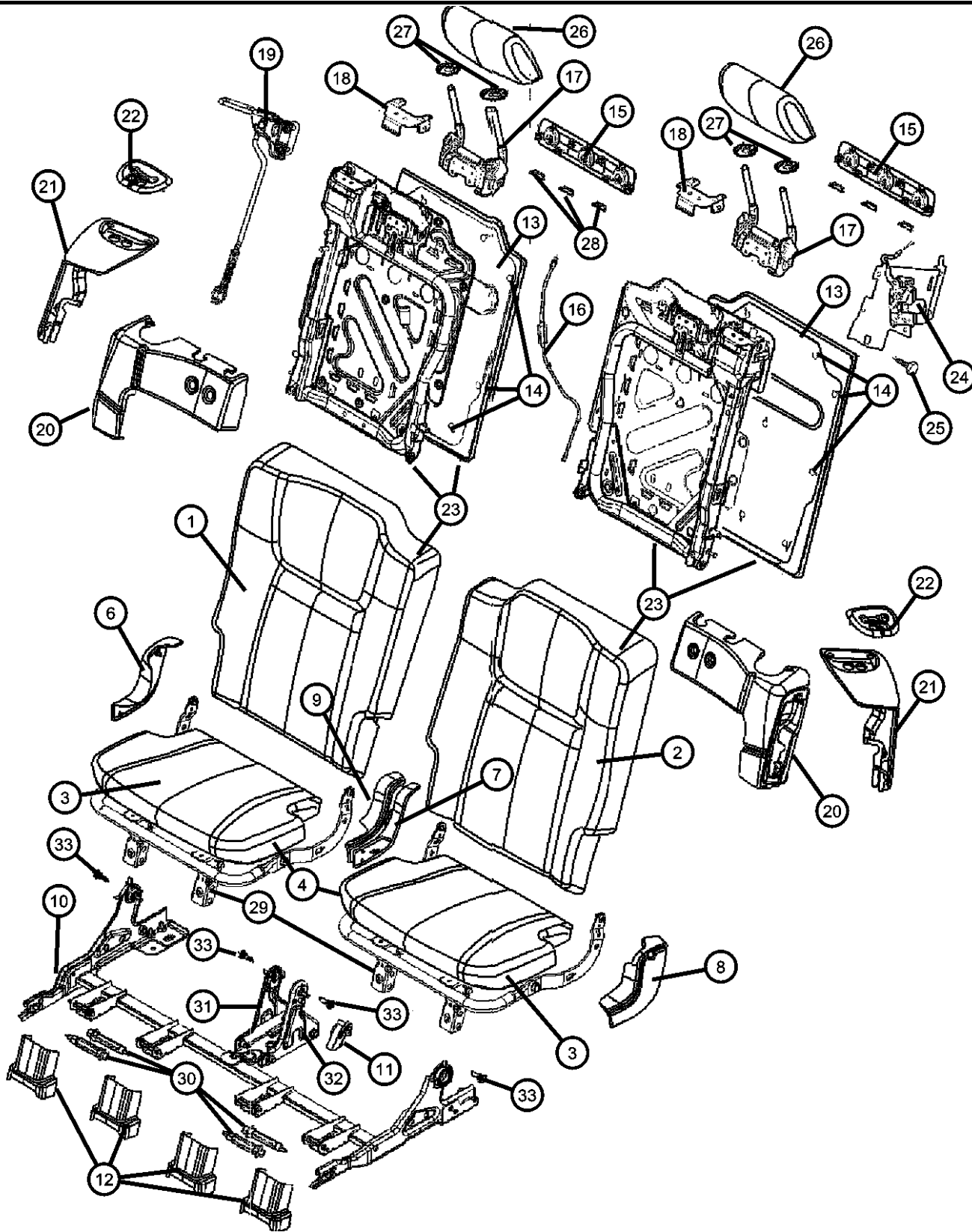


ITEM	PART NUMBER	QTY	LINE	SERIES	BODY	ENGINE	TRANS	TRIM	DESCRIPTION
27	1DU79BD-DAA	1						*SL	[D1] With [CED] Light Graystone
	1DV101D5AA	2						*CL	[D5]
	COVER, Headrest Sleeve								
	1BG771D1AA	2						*SL	[J1]
	1BG771D5AA	2						*K7	[D5]
		2						*CL	[D5]
	1BG771J3AA	2						*K7	[J3]
28		2						*CL	[J3]
	1BG771UYAA	2						*SL	[D1] With [CEC] Saddle Brown
	1BG77BD-DAA	1						*SL	[D1] With [CED] Light Graystone
	CLIP								
	05183550AA	6							*SL
		6							*K7
		6		J, T		74			*CL
29		6						*L5	
	FRAME, Rear Seat Cushion								
	05183671AA	2						*K7	
30		2						*SL	
		2						*CL	
		1		T, J		74		*L5	
31	05183643AA	4						*K7	
		4						*CL	
		4						*SL	
		4		J, T		74		*L5	
32	05183630AA	1						*K7	BRACKET, Pivot
		1						*SL	Right
		1						*CL	Right
		1		J, T		74		*L5	Right
	05183641AA	1						*K7	BRACKET, Pivot
	1						*SL	Left	
	1						*CL	Left	

NEW JEEP (XK)
 SERIES LINE BODY ENGINE TRANSMISSION
 H = HIGHLINE T = JEEP - 2WD 74 = SPORT UTILITY 4-DR EKG = 3.7L V6 Engine DGQ = 5-Spd Automatic 5-45RFE
 P = PREMIUM J = JEEP - 4WD EVA = 4.7L V8 MPI Engine Transmission
 EZB = 5.7L Hemi Multi DGJ = 5-Speed Automatic MB
 Displacement Engine Transmission

AR = use ase required - = Non illustrated part

Third Row
Figure IXK-630



ITEM	PART NUMBER	QTY	LINE	SERIES	BODY	ENGINE	TRANS	TRIM	DESCRIPTION
33		1	J, T		74			*L5	
	05139634AA	1						*K7	BOLT
		1	J, T		74			*L5	
		1	J, T		74			*SL	
		1	J, T		74			*CL	

NEW JEEP (XK)

SERIES LINE
H = HIGHLINE T = JEEP - 2WD
P = PREMIUM J = JEEP - 4WD

BODY
74 = SPORT UTILITY 4-DR

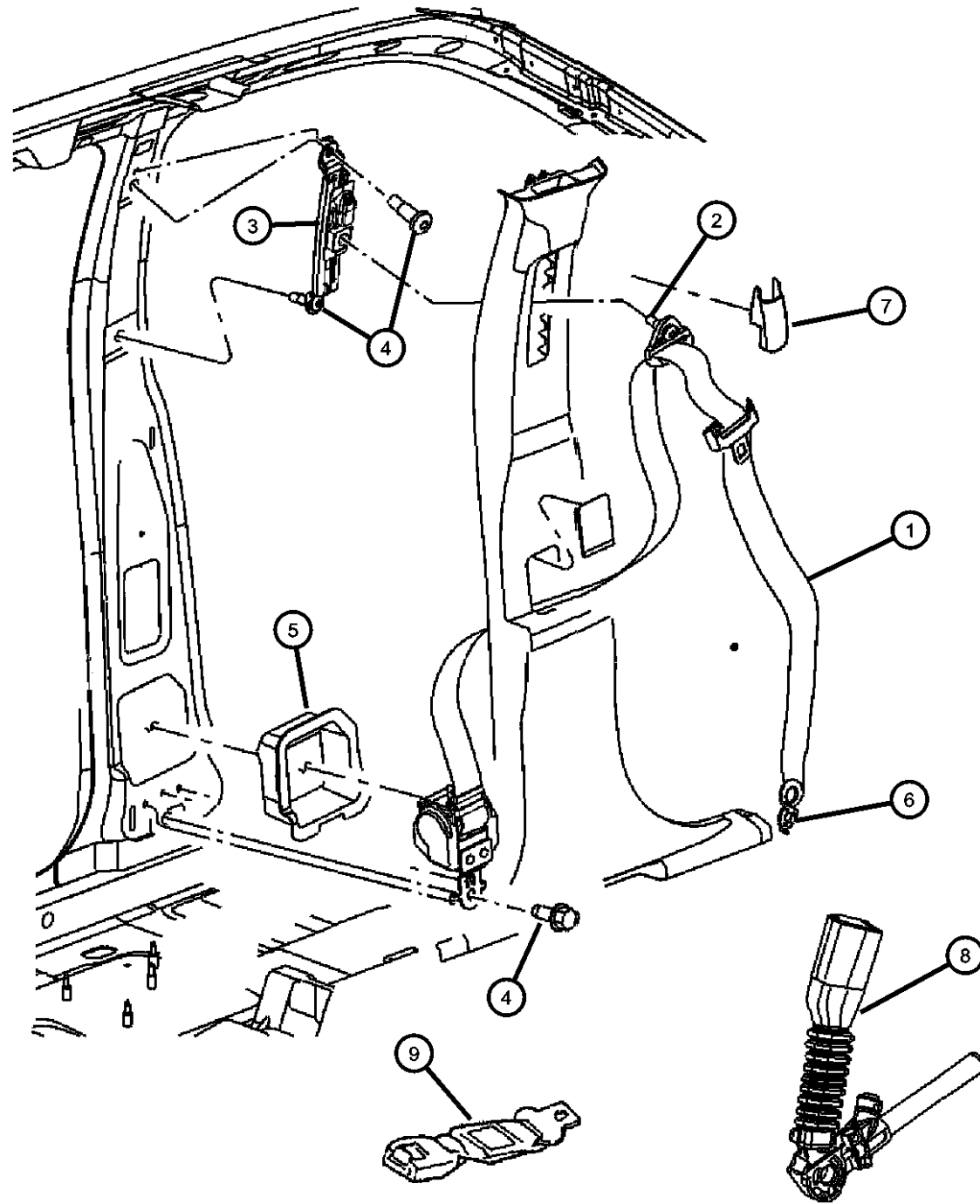
ENGINE
EKG = 3.7L V6 Engine
EVA = 4.7L V8 MPI Engine
EZB = 5.7L Hemi Multi
Displacement Engine

TRANSMISSION
DGQ = 5-Spd Automatic 5-45RFE
Transmission
DGJ = 5-Speed Automatic MB
Transmission

AR = use ase required - = Non illustrated part

2006 XK

Front Seat Belts
Figure IXK-710



ITEM	PART NUMBER	QTY	LINE	SERIES	BODY	ENGINE	TRANS	TRIM	DESCRIPTION
1									SEAT BELT, Front Outer
	1DM50ZJ3AA	1						*O0	[J3], Without [CEC], [CED], [CDZ], Right
	5HQ37BD1AG	1						*O0	[D1], With [CED], Left
		1						*O0	[J1], With [CDZ], Left
	5HQ37BD5AG	1						*O0	[D5], Without [CEC], [CED], [CDZ], Left
	5HQ37XD-VAG	1						*O0	[D1], With [CEC], Left
	1DM50BD1AA	1						*O0	[D1], With [CED], Right
		1						*O0	[J1], With [CDZ], Right
	1DM50BD5AA	1						*O0	[D5], Without [CEC], [CED], [CDZ], Right
	1DM50XD-VAA	1						*O0	[D1], With [CEC], Right
	5HQ37ZJ3AG	1						*O0	[J3], Without [CEC], [CED], [CDZ], Left
2	06036522AA	1						*O0	SCREW, .437-20X37.9
3	1CE39BD1AC	2						*O0	ADJUSTER, Seat Belt Turning Loop
4	06036187AA	2							SCREW, Pan Head
5									SHIELD, Seat Belt Retractor
	55197032AA	1							Right
	55197033AA	1							Left
6	06036523AA	1						*O0	SCREW
7	5HP13BD1AA	2						*O0	COVER, Adjustable Turning Loop
8									SEAT BELT, Front Inner
	1CB121D1AA	1						*SL	[J1], Right
		1						*SL	[D1], Right
	1CB121D5AA	1						*K7	[D5], Right
		1						*CL	[D5], Right
		1						*L5	[D5], Right
	1CB121J3AA	1						*CL	[J3], Right
		1						*K7	[J3], Right
		1						*L5	[J3], Right
	5HP151D1AB	1						*SL	[J1], Left
	5HP151D5AB	1						*K7	[D5], Left
		1						*CL	[D5], Left
		1						*L5	[D5], Left

NEW JEEP (XK)

SERIES LINE
H = HIGHLINE T = JEEP - 2WD
P = PREMIUM J = JEEP - 4WD

BODY
74 = SPORT UTILITY 4-DR

ENGINE
EKG = 3.7L V6 Engine
EVA = 4.7L V8 MPI Engine
EZB = 5.7L Hemi Multi Displacement Engine

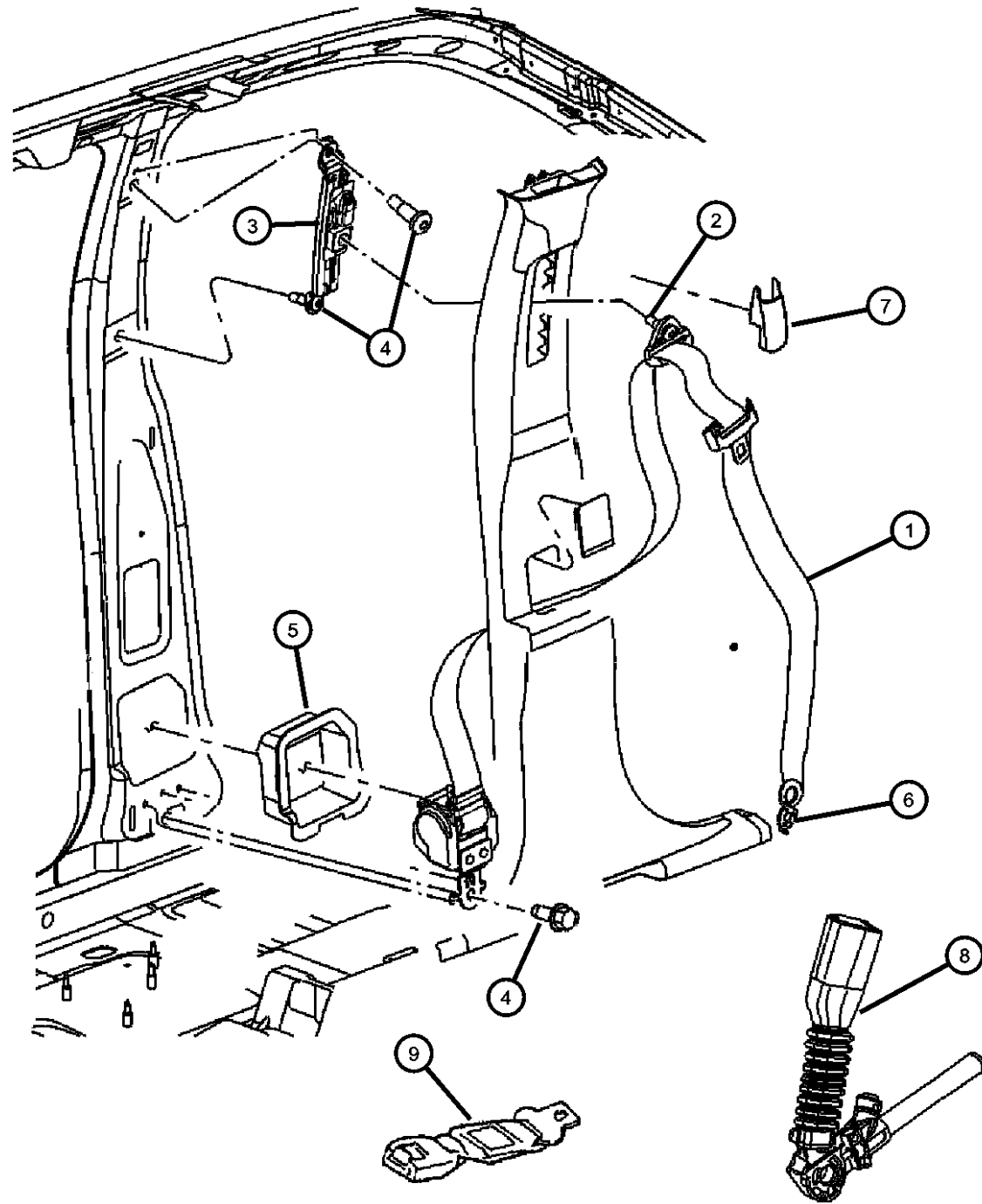
TRANSMISSION
DGQ = 5-Spd Automatic 5-45RFE Transmission
DGJ = 5-Speed Automatic MB Transmission

AR = use ase required - = Non illustrated part

2006 XK

Front Seat Belts
Figure IXK-710

ITEM	PART NUMBER	QTY	LINE	SERIES	BODY	ENGINE	TRANS	TRIM	DESCRIPTION
	5HP151J3AB	1						*CL	[J3], Left
		1						*L5	[J3], Left
		1						*K7	[J3], Left
	5HP151UYAB	1						*SL	[D1], Left
9	05018505AA	AR						*O0	EXTENDER, Seat Belt



NEW JEEP (XK)

SERIES LINE
H = HIGHLINE T = JEEP - 2WD
P = PREMIUM J = JEEP - 4WD

BODY
74 = SPORT UTILITY 4-DR

ENGINE
EKG = 3.7L V6 Engine
EVA = 4.7L V8 MPI Engine
EZB = 5.7L Hemi Multi
Displacement Engine

TRANSMISSION
DGQ = 5-Spd Automatic 5-45RFE
Transmission
DGJ = 5-Speed Automatic MB
Transmission

AR = use ase required - = Non illustrated part

2006 XK

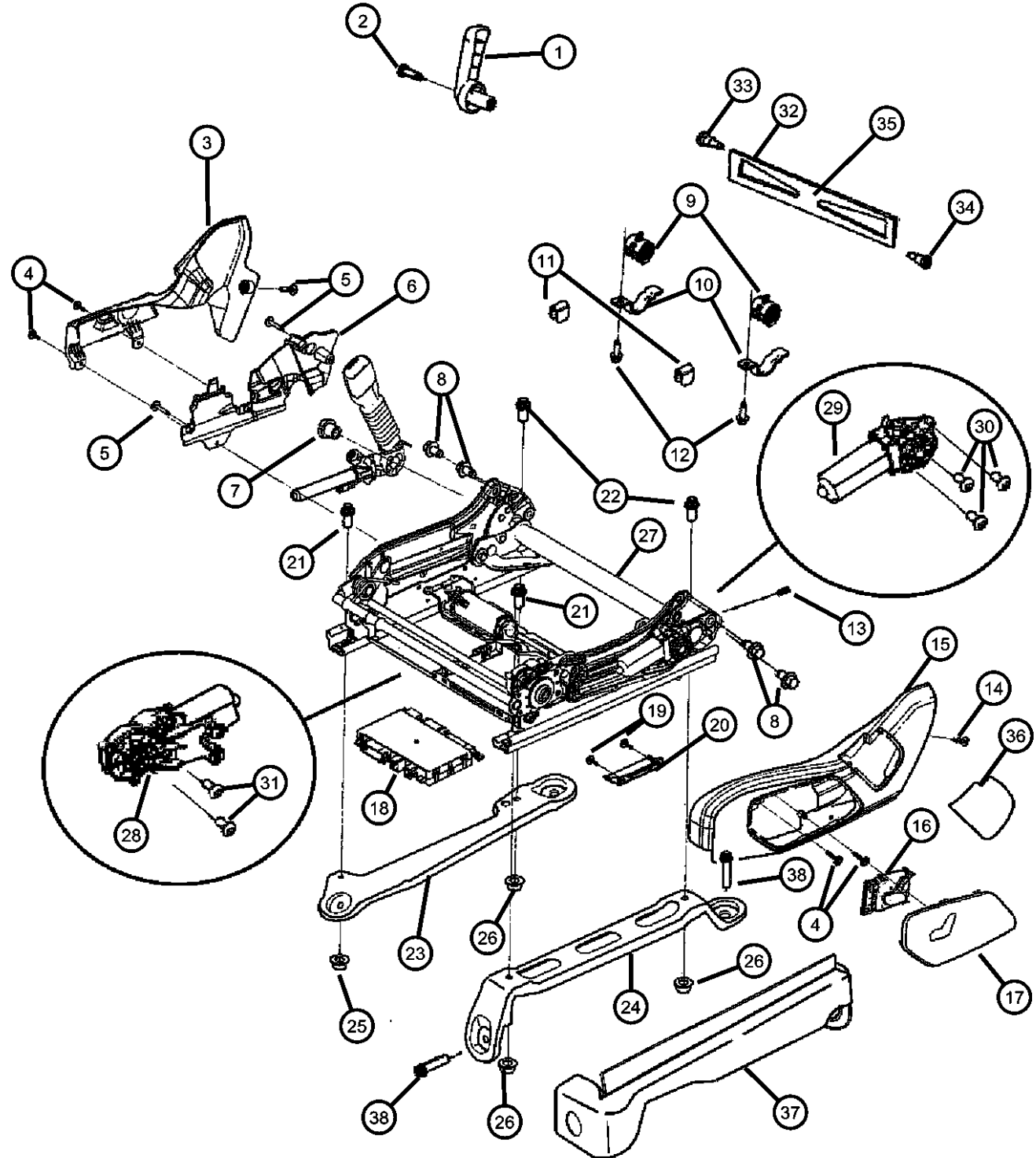
**Adjuster, Recliners, Drivers Seat
Figure IXK-810**

	ITEM	PART NUMBER	QTY	LINE	SERIES	BODY	ENGINE	TRANS	TRIM	DESCRIPTION	
		05139628AA	5						*K7		
			5						*SL		
			5						*CL		
	13		5	J, T		74			*L5	SCREW, Seat	
			05143447AA	2						*K7	
				2						*SL	
				2						*CL	
	14			2	J, T		74			*L5	SCREW, Seat
			05143452AA	4						*K7	
				4						*SL	
				4						*CL	
	15			4	J, T		74			*L5	SHIELD, Seat Adjuster
			1BG391D1AA	1						*SL	[J1] [D1] With [CDZ] Two-Toned and [CED] Graystone
			1BG391D5AA	1						*CL	[D5]
				1						*K7	[D5]
			1BG391J3AA	1	J, T		74			*L5	[D5]
				1						*K7	[J3]
			1						*CL	[J3]	
16		1BG391UYAA	1	J, T		74			*L5	[J3]	
			1						*SL	[D1] With [CEC] Saddle Brown	
		56049431AD	1						*SL	SWITCH, Seat	
		56049433AD	1						*K7	With Memory	
			1						*CL	Without Memory	
			1						*L5	Without Memory	
17			1							BEZEL	
		1BG451D1AA	1						*SL	[J1] [D1] With [CDZ] Two-Toned and [CED] Graystone	
		1BG451D5AA	1						*K7	[D5]	
			1						*CL	[D5]	
			1	J, T		74			*L5	[D5]	
		1BG451J3AA	1						*K7	[J3]	

NEW JEEP (XK)
 SERIES LINE BODY ENGINE TRANSMISSION
 H = HIGHLINE T = JEEP - 2WD 74 = SPORT UTILITY 4-DR EKG = 3.7L V6 Engine DGQ = 5-Spd Automatic 5-45RFE
 P = PREMIUM J = JEEP - 4WD EVA = 4.7L V8 MPI Engine Transmission
 EZB = 5.7L Hemi Multi DGJ = 5-Speed Automatic MB
 Displacement Engine Transmission

AR = use ase required - = Non illustrated part

**Adjuster, Recliners, Drivers Seat
Figure IXK-810**



ITEM	PART NUMBER	QTY	LINE	SERIES	BODY	ENGINE	TRANS	TRIM	DESCRIPTION
26	05143442AA	4							NUT, Seat
		4						*K7	
		4						*CL	
		4						*SL	
27	68020712AA	1							ADJUSTER, Power Seat
		1						*K7	Without Memory
		1						*CL	Without Memory
	68020713AA	1						*SL	With Memory
28	05135155AA	1						*SL	MOTOR, Power Seat, Tilt
29	05135113AB	1						*SL	MOTOR, Power Seat, Height
30	05135305AA	1						*SL	SCREW, Seat, Height Motor
31	05135307AA	1						*SL	SCREW, Seat, Tilt Motor
32	05166484AA	2							BRACE, Seat
		2						*K7	
		2						*SL	
		2						*CL	
33	05166485AA	4							SCREW, Seat, Upper
		4						*K7	
		4						*CL	
		4						*SL	
34	05143451AA	16							SCREW, Seat, Lower
		16						*K7	
		16						*CL	
		16						*SL	
35	1CA801D1AA	2							COVER, Close-Out
		2						*SL	[J1]
	1CA801D5AA	2						*K7	[D5]
		2						*CL	[D5]
	1CA801J3AA	2						*K7	[J3]
		2						*CL	[J3]
	1CA801UYAA	2						*SL	[D1]
36	5KD271D1AA	1							SHIELD, Seat Adjuster
		1						*SL	[J1] [D1] With [CDZ] Two-Toned and [CED] Graystone
	5KD271D5AA	1						*K7	[D5]

NEW JEEP (XK)

SERIES LINE
H = HIGHLINE T = JEEP - 2WD
P = PREMIUM J = JEEP - 4WD

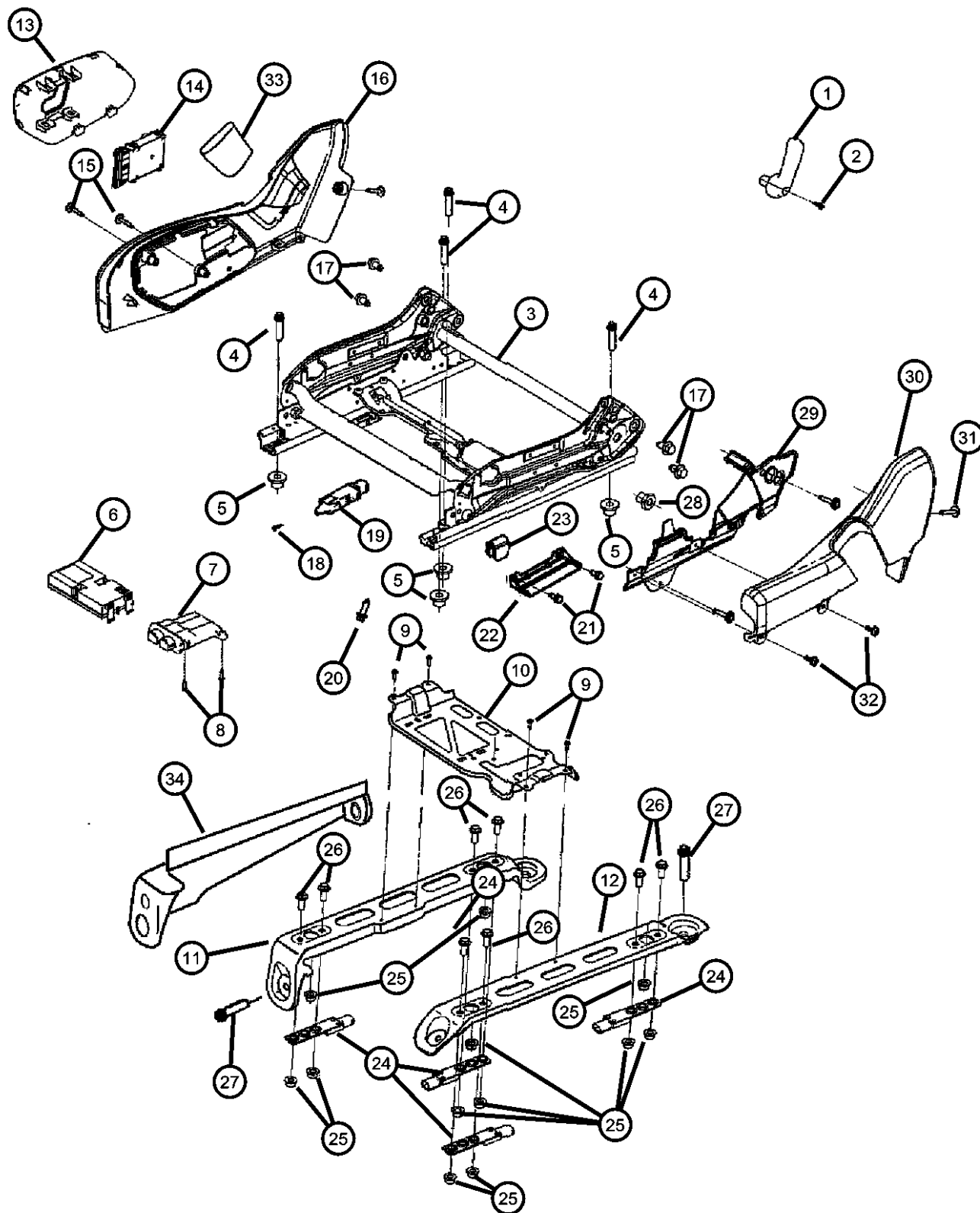
BODY
74 = SPORT UTILITY 4-DR

ENGINE
EKG = 3.7L V6 Engine
EVA = 4.7L V8 MPI Engine
EZB = 5.7L Hemi Multi Displacement Engine

TRANSMISSION
DGQ = 5-Spd Automatic 5-45RFE Transmission
DGJ = 5-Speed Automatic MB Transmission

AR = use ase required - = Non illustrated part

**Adjuster, Recliners, Power Passenger Seat
Figure IXK-820**



ITEM	PART NUMBER	QTY	LINE	SERIES	BODY	ENGINE	TRANS	TRIM	DESCRIPTION
1	1BG531D1AA	2						*SL	HANDLE, Lumbar
	1BG531D5AA	2						*K7	[J1] [D1] With [CDZ] Two-Toned and [CED] Graystone
		2						*CL	[D5]
	1BG531J3AA	2						*K7	[J3]
		2						*CL	[J3]
	1BG531UYAA	2						*SL	[D1] With [CEC] Saddle Brown
2									SCREW
	05170947AA	1						*SL	
		1						*K7	
		1						*CL	
		1	J, T		74			*L5	
3									ADJUSTER, Power Seat
	05183704AA	1						*K7	
		1						*SL	
		1						*CL	
		1	J, T		74			*L5	
4									BOLT, Seat
	05143450AA	2						*K7	
		2						*CL	
		2						*SL	
		2	J, T		74			*L5	
5									SPACER
	05143444AA	2						*K7	
		2						*CL	
		2						*SL	
		2	J, T		74			*L5	
6									MODULE, Heated Seat Control
	04602327AG	1						*K7	
		1						*SL	
		1						*CL	
7									MODULE, Occupant Classification
	56043195AZ	1						*SL	
		1						*K7	
		1						*CL	

NEW JEEP (XK)

SERIES LINE
H = HIGHLINE T = JEEP - 2WD
P = PREMIUM J = JEEP - 4WD

BODY
74 = SPORT UTILITY 4-DR

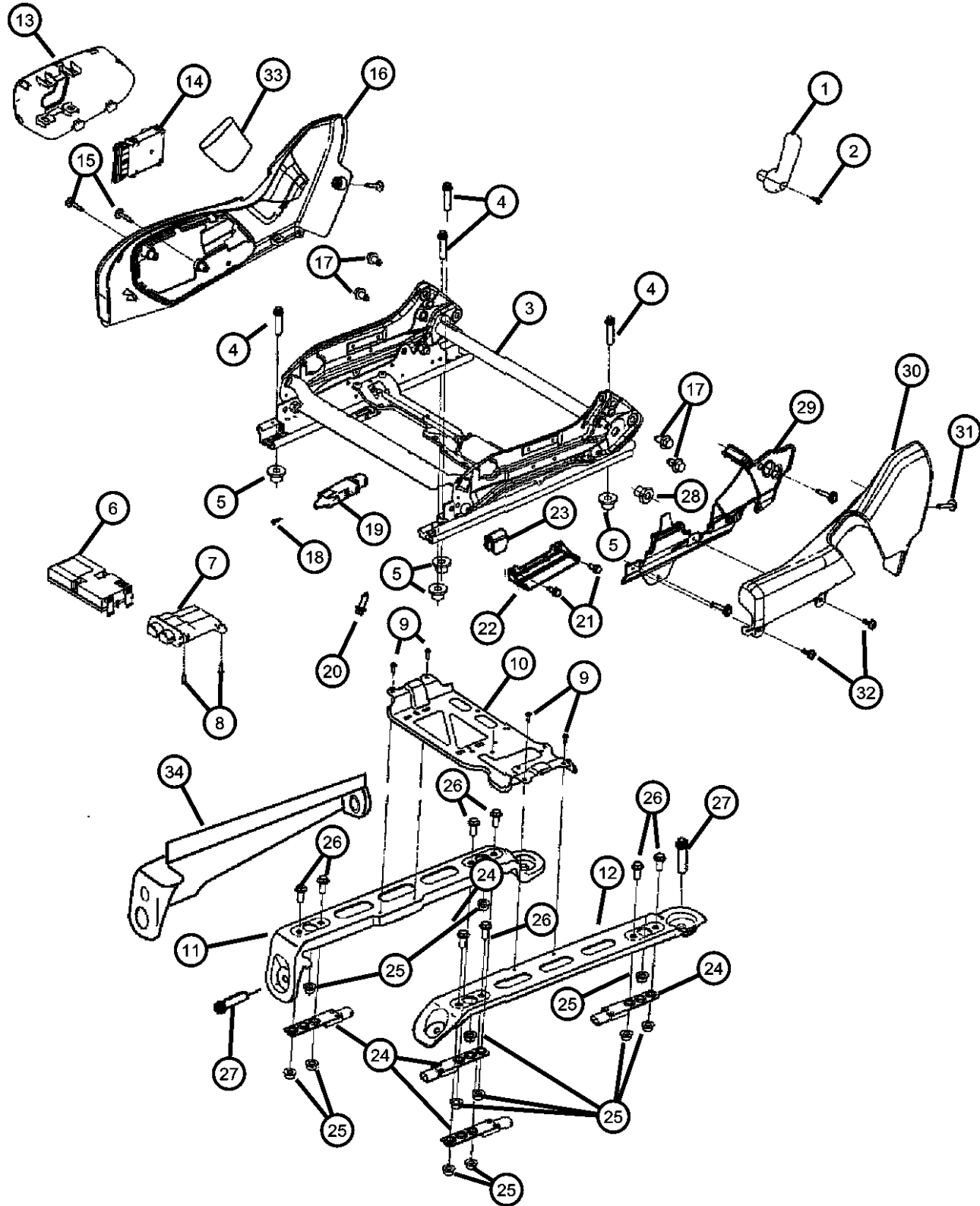
ENGINE
EKG = 3.7L V6 Engine
EVA = 4.7L V8 MPI Engine
EZB = 5.7L Hemi Multi Displacement Engine

TRANSMISSION
DGQ = 5-Spd Automatic 5-45RFE Transmission
DGJ = 5-Speed Automatic MB Transmission

AR = use ase required - = Non illustrated part

2006 XK

**Adjuster, Recliners, Power Passenger Seat
Figure IXK-820**



ITEM	PART NUMBER	QTY	LINE	SERIES	BODY	ENGINE	TRANS	TRIM	DESCRIPTION
8		1	J, T		74			*L5	SCREW
	05170947AA	4						*K7	
		4						*SL	
		4						*CL	
9		4	J, T		74			*L5	SCREW, Seat
	05143451AA	1						*CL	
		1						*SL	
		1						*K7	
10		1	J, T		74			*L5	BRACKET, Module
	05143418AA	1						*K7	
		1						*SL	
		1						*CL	
11		1	J, T		74			*L5	RISER, Seat, Outboard
	05143414AA	1						*K7	
		1						*SL	
		1						*CL	
12		1	J, T		74			*L5	RISER, Seat, Inboard
	05143415AA	1						*K7	
		1						*SL	
		1						*CL	
13		1	J, T		74			*L5	BEZEL
	1BG441D1AA	1						*SL	[J1] [D1] With [CDZ] Two-Toned and [CED] Graystone
	1BG441D5AA	1						*K7	[D5]
		1						*CL	[D5]
	1BG441J3AA	1	J, T		74			*L5	[D5]
		1						*K7	[J3]
		1						*CL	[J3]
		1	J, T		74			*L5	[J3]

NEW JEEP (XK)

SERIES LINE
H = HIGHLINE T = JEEP - 2WD
P = PREMIUM J = JEEP - 4WD

BODY
74 = SPORT UTILITY 4-DR

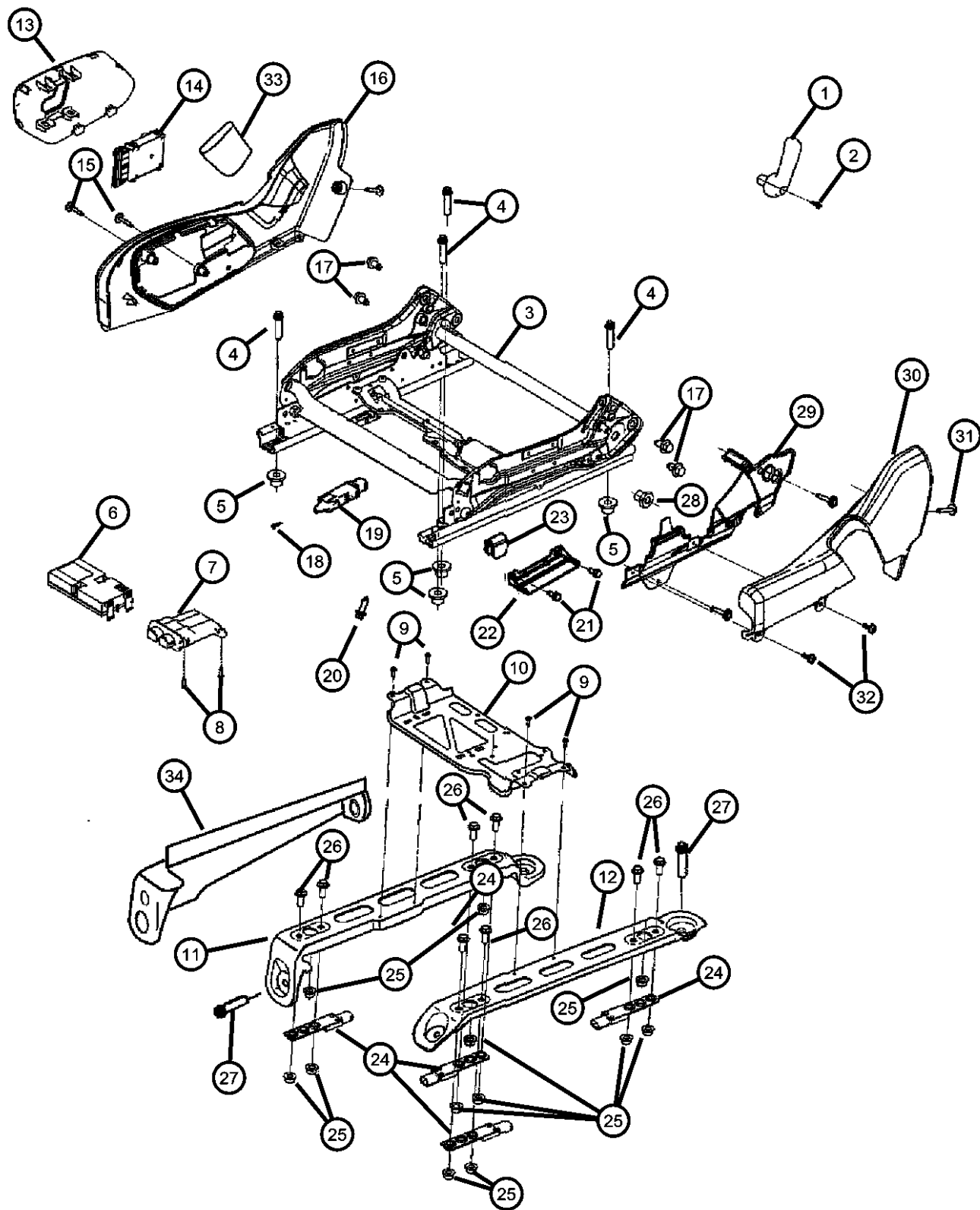
ENGINE
EKG = 3.7L V6 Engine
EVA = 4.7L V8 MPI Engine
EZB = 5.7L Hemi Multi Displacement Engine

TRANSMISSION
DGQ = 5-Spd Automatic 5-45RFE Transmission
DGJ = 5-Speed Automatic MB Transmission

AR = use ase required - = Non illustrated part

2006 XK

**Adjuster, Recliners, Power Passenger Seat
Figure IXK-820**



ITEM	PART NUMBER	QTY	LINE	SERIES	BODY	ENGINE	TRANS	TRIM	DESCRIPTION
14	1BG441UYAA	1						*SL	[D1] With [CEC] Saddle Brown SWITCH, Seat
	56040636AB	1						*CL	
		1						*K7	
		1						*SL	
		1						*L5	
15									SCREW, Seat
	05143452AA	4						*K7	
		4						*SL	
		4						*CL	
		4	J, T		74			*L5	
16									SHIELD, Seat Adjuster
	1BG381D1AA	1						*SL	[J1] [D1] With [CDZ] Two-Toned and [CED] Graystone
	1BG381D5AA	1						*K7	[D5]
		1						*CL	[D5]
		1	J, T		74			*L5	[D5]
	1BG381J3AA	1						*K7	[J3]
		1						*CL	[J3]
		1	J, T		74			*L5	[J3]
17	1BG381UYAA	1						*SL	[D1] With [CEC] Saddle Brown BOLT
	05139629AA	8						*K7	
		8						*SL	
		8						*CL	
		8	J, T		74			*L5	
18									SCREW, Seat
	05143447AA	2						*K7	
		2						*SL	
		2						*CL	
		2	J, T		74			*L5	
19									SENSOR, Seat track position
	56043206AC	2						*K7	
		2						*CL	
		2						*SL	

NEW JEEP (XK)

SERIES LINE
H = HIGHLINE T = JEEP - 2WD
P = PREMIUM J = JEEP - 4WD

BODY
74 = SPORT UTILITY 4-DR

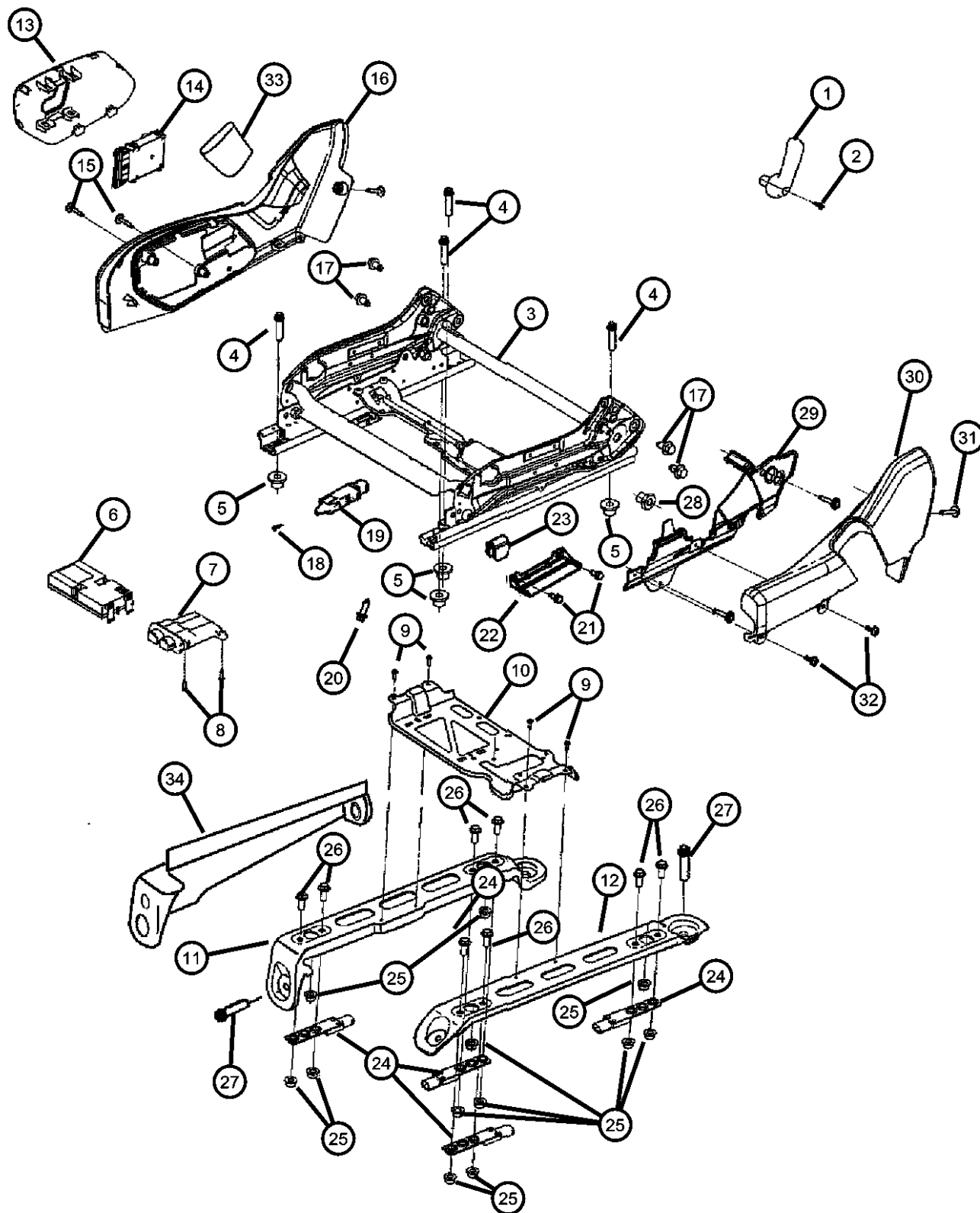
ENGINE
EKG = 3.7L V6 Engine
EVA = 4.7L V8 MPI Engine
EZB = 5.7L Hemi Multi Displacement Engine

TRANSMISSION
DGQ = 5-Spd Automatic 5-45RFE Transmission
DGJ = 5-Speed Automatic MB Transmission

AR = use ase required - = Non illustrated part

2006 XK

**Adjuster, Recliners, Power Passenger Seat
Figure IXK-820**



ITEM	PART NUMBER	QTY	LINE	SERIES	BODY	ENGINE	TRANS	TRIM	DESCRIPTION
20		2						*L5	BOLT
	05139628AA	5						*K7	
		5						*SL	
		5						*CL	
		5	J, T		74			*L5	
21	05073053AA	2						*O0	SCREW
22	05143422AA	2							BRACKET, Seat
		2						*K7	
		2						*SL	
		2						*CL	
		2	J, T		74			*L5	
23	05139661AA	2							LIMITER, Seat Track Travel
		2						*K7	
		2						*SL	
		2						*CL	
		1	J, T		74			*L5	
24	05143488AA	4							SENSOR KIT, Strain Gauge
		4						*K7	
		4						*CL	
		4						*SL	
		4	J, T		74			*L5	
25	05143442AA	4							NUT, Seat
		4						*K7	
		4						*CL	
		4						*SL	
		4	J, T		74			*L5	
26	05143443AA	2							BOLT, Seat
		2						*K7	
		2						*CL	
		2						*SL	
		2	J, T		74			*L5	
27	06508286AA	8							BOLT, Seat
28									NUT, Tube

NEW JEEP (XK)

SERIES LINE
 H = HIGHLINE T = JEEP - 2WD
 P = PREMIUM J = JEEP - 4WD

BODY
 74 = SPORT UTILITY 4-DR

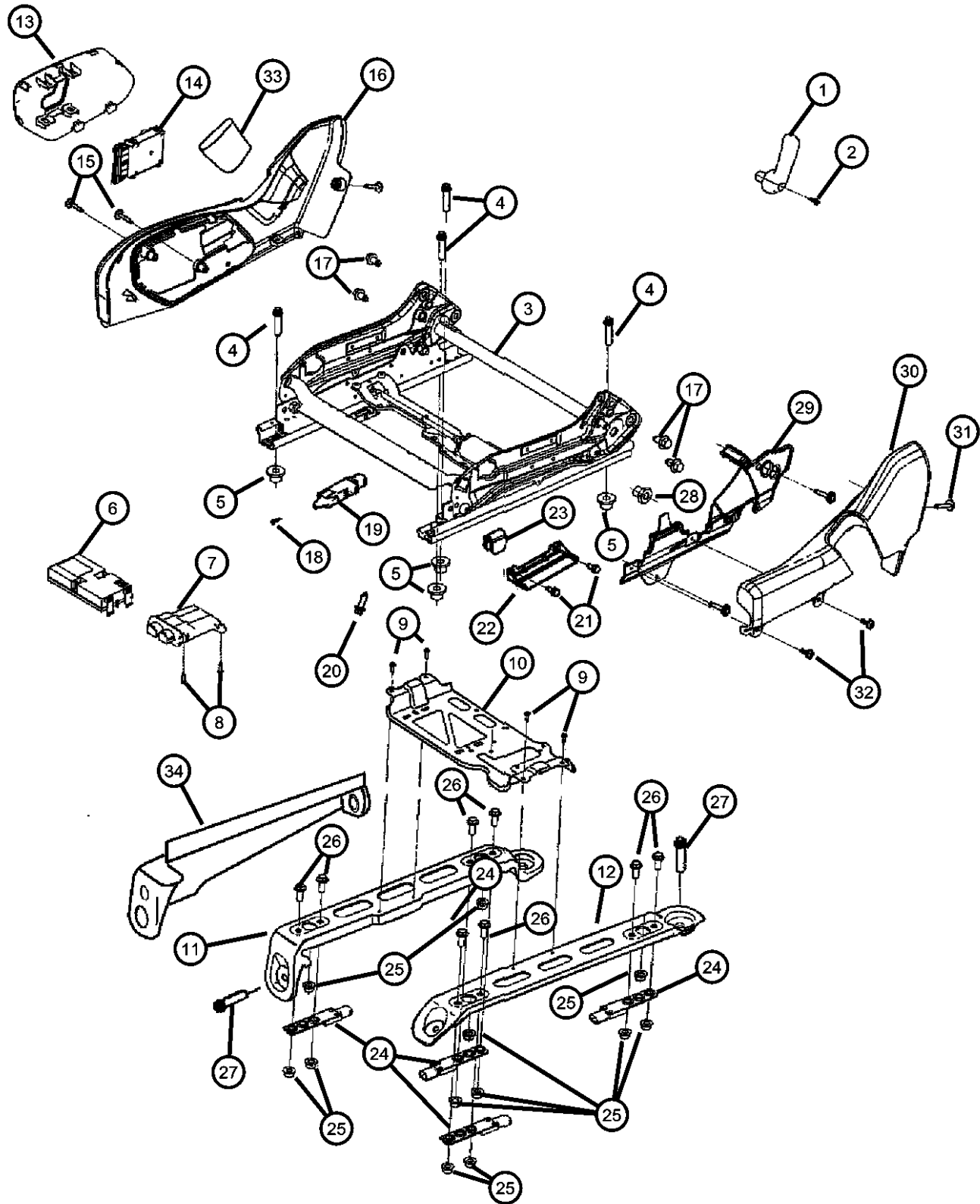
ENGINE
 EKG = 3.7L V6 Engine
 EVA = 4.7L V8 MPI Engine
 EZB = 5.7L Hemi Multi
 Displacement Engine

TRANSMISSION
 DGQ = 5-Spd Automatic 5-45RFE
 Transmission
 DGJ = 5-Speed Automatic MB
 Transmission

AR = use ase required - = Non illustrated part

2006 XK

Adjuster, Recliners, Power Passenger Seat Figure IXK-820



ITEM	PART NUMBER	QTY	LINE	SERIES	BODY	ENGINE	TRANS	TRIM	DESCRIPTION
	05143449AA	2						*K7	
		2						*SL	
		2						*CL	
		2	J, T		74			*L5	
29									PLATE, Front Seat
	1BG581D1AA	1						*SL	[J1] [D1] With [CDZ] Two-Toned and [CED] Graystone, Right
	1BG581D5AA	1						*K7	[D5], Right
		1						*CL	[D5], Right
		1	J, T		74			*L5	[D5], Right
	1BG581J3AA	1						*K7	[J3], Right
		1						*CL	[J3], Right
		1	J, T		74			*L5	[J3], Right
	1BG581UYAA	1						*SL	[D1] With [CEC] Saddle Brown, Right
	1BG591D1AA	1						*SL	[J1] [D1] With [CDZ] Two-Toned and [CED] Graystone, Left
	1BG591D5AA	1						*K7	[D5], Left
		1						*CL	[D5], Left
		1	J, T		74			*L5	[D5], Left
	1BG591J3AA	1						*K7	[J3], Left
		1						*CL	[J3], Left
		1	J, T		74			*L5	[J3], Left
	1BG591UYAA	1						*SL	[D1] With [CEC] Saddle Brown, Left
30									SHIELD, Seat Adjuster
	1BG401D1AA	1						*SL	[J1] [D1] With [CDZ] Two-Toned and [CED] Graystone, Right
	1BG401D5AA	1						*K7	[D5], Right
		1						*CL	[D5], Right
		1	J, T		74			*L5	[D5], Right
	1BG401J3AA	1						*K7	[J3], Right
		1						*CL	[J3], Right
		1	J, T		74			*L5	[J3], Right
	1BG401UYAA	1						*SL	[D1] With [CEC] Saddle Brown, Right
	1BG411D1AA	1						*SL	[J1] [D1] With [CDZ] Two-Toned and [CED] Graystone, Left

NEW JEEP (XK)

SERIES LINE
H = HIGHLINE T = JEEP - 2WD
P = PREMIUM J = JEEP - 4WD

BODY
74 = SPORT UTILITY 4-DR

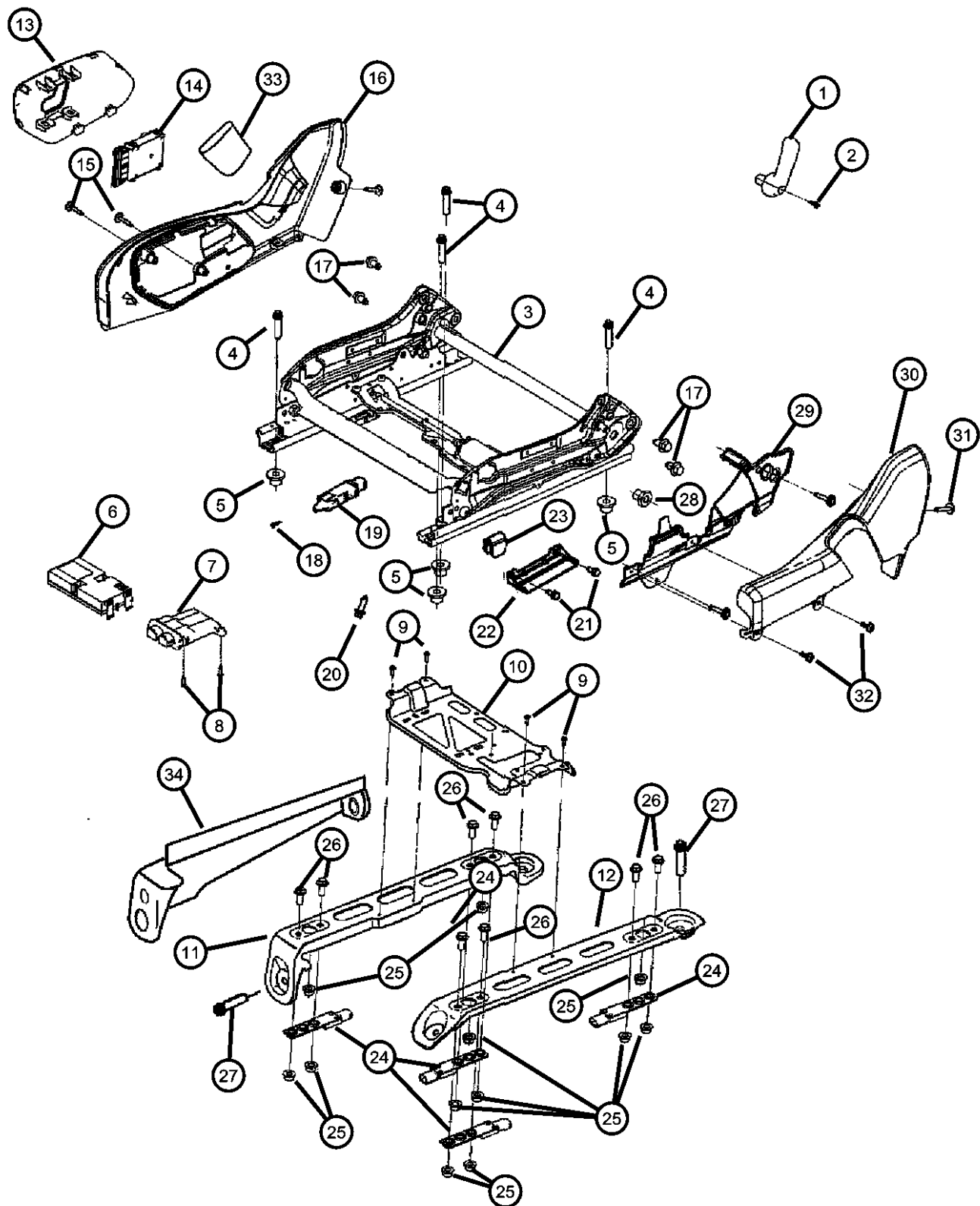
ENGINE
EKG = 3.7L V6 Engine
EVA = 4.7L V8 MPI Engine
EZB = 5.7L Hemi Multi Displacement Engine

TRANSMISSION
DGQ = 5-Spd Automatic 5-45RFE Transmission
DGJ = 5-Speed Automatic MB Transmission

AR = use ase required - = Non illustrated part

2006 XK

**Adjuster, Recliners, Power Passenger Seat
Figure IXK-820**



ITEM	PART NUMBER	QTY	LINE	SERIES	BODY	ENGINE	TRANS	TRIM	DESCRIPTION
	1BG411D5AA	1						*K7	[D5], Left
		1						*CL	[D5], Left
	1BG411J3AA	1	J, T		74			*L5	[D5], Left
		1						*K7	[J3], Left
		1						*CL	[J3], Left
	1BG411UYAA	1	J, T		74			*L5	[J3], Left
		1						*SL	[D1] With [CEC] Saddle Brown, Left
31									SCREW, Seat
	05143452AA	4						*K7	
		4						*SL	
		4						*CL	
		4	J, T		74			*L5	
32									SCREW, Seat
	05143453AA	1						*SL	
		1						*CL	
		1						*K7	
		1	J, T		74			*L5	
33									SHIELD, Seat Adjuster
	5KD261D1AA	1						*SL	[J1] [D1] With [CDZ] Two-Toned and [CED] Graystone, Right
	5KD261D5AA	1						*K7	[D5], Right
		1						*CL	[D5], Right
		1	J, T		74			*L5	[D5], Right
	5KD261J3AA	1						*K7	[J3], Right
		1						*CL	[J3], Right
		1	J, T		74			*L5	[J3], Right
	5KD261UYAA	1						*SL	[D1] With [CEC] Saddle Brown, Right
	5KD271D1AA	1						*SL	[J1] [D1] With [CDZ] Two-Toned and [CED] Graystone, Left
	5KD271D5AA	1						*K7	[D5], Left
		1						*CL	[D5], Left
		1	J, T		74			*L5	[D5], Left
	5KD271J3AA	1						*K7	[J3], Left
		1						*CL	[J3], Left
		1	J, T		74			*L5	[J3], Left

NEW JEEP (XK)

SERIES LINE
H = HIGHLINE T = JEEP - 2WD
P = PREMIUM J = JEEP - 4WD

BODY
74 = SPORT UTILITY 4-DR

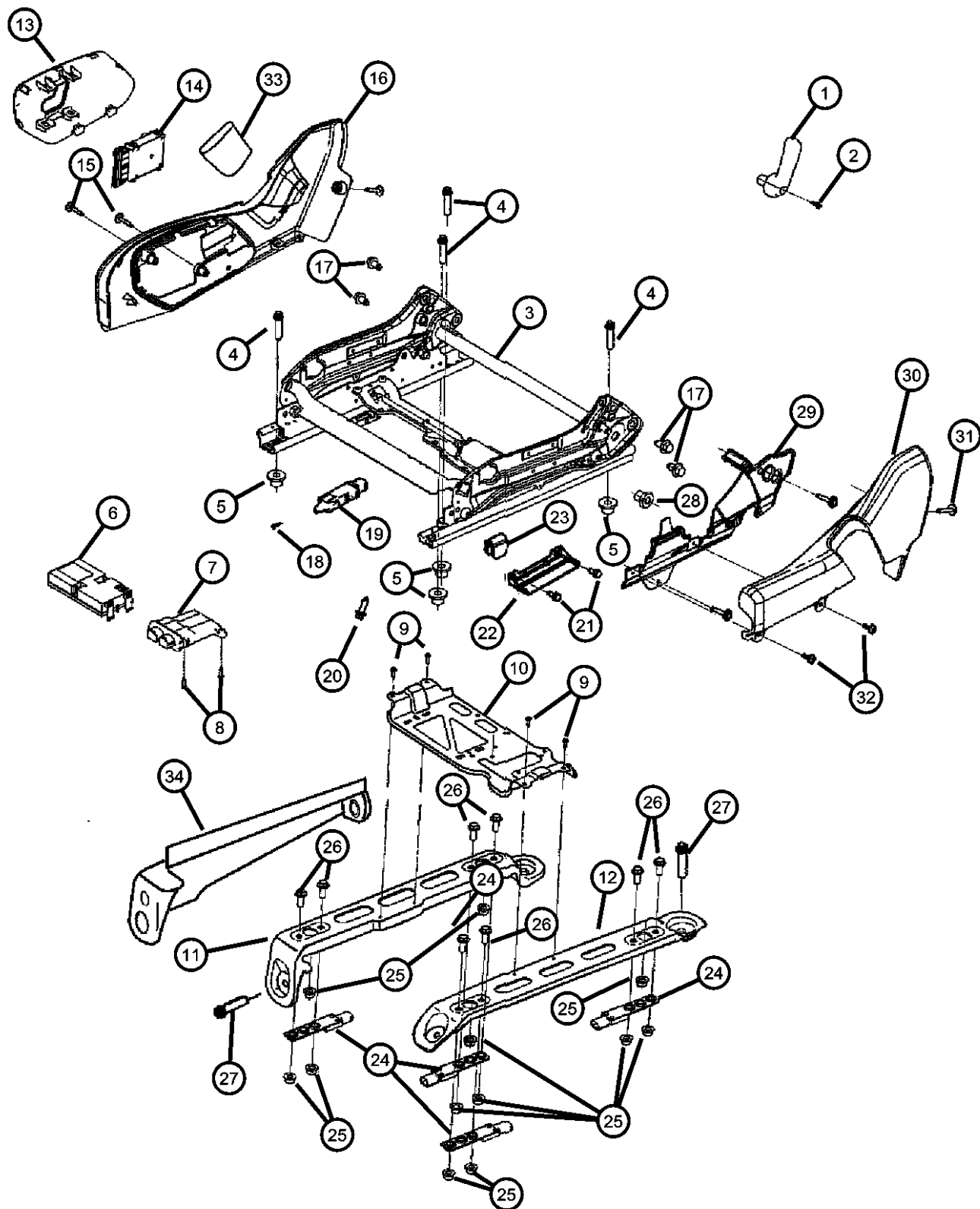
ENGINE
EKG = 3.7L V6 Engine
EVA = 4.7L V8 MPI Engine
EZB = 5.7L Hemi Multi Displacement Engine

TRANSMISSION
DGQ = 5-Spd Automatic 5-45RFE Transmission
DGJ = 5-Speed Automatic MB Transmission

AR = use ase required - = Non illustrated part

2006 XK

**Adjuster, Recliners, Power Passenger Seat
Figure IXK-820**



ITEM	PART NUMBER	QTY	LINE	SERIES	BODY	ENGINE	TRANS	TRIM	DESCRIPTION
	5KD271UYAA	1						*SL	[D1] With [CEC] Saddle Brown, Left
34	1BU241D1AA	1						*SL	[J1] [D1] With [CDZ] Two-Toned and [CED] Graystone, Right
	1BU241D5AA	1						*K7	[D5], Right
		1						*CL	[D5], Right
	1BU241J3AA	1	J, T		74			*L5	[D5], Right
		1						*K7	[J3], Right
		1						*CL	[J3], Right
	1BU241UYAA	1	J, T		74			*L5	[J3], Right
	1BU251D1AA	1						*SL	[D1] With [CEC] Saddle Brown, Right
	1BU251D5AA	1						*SL	[J1] [D1] With [CDZ] Two-Toned and [CED] Graystone, Left
		1						*K7	[D5], Left
		1						*CL	[D5], Left
	1BU251J3AA	1	J, T		74			*L5	[D5], Left
		1						*K7	[J3], Left
		1						*CL	[J3], Left
	1BU251UYAA	1	J, T		74			*L5	[J3], Left
		1						*SL	[D1] With [CEC] Saddle Brown, Left
-35									HANDLE, Recliner
	0UZ281D5AB	1	J, T		74			*K7	[D5]
	0UZ281J3AB	1						*K7	[J3]

NEW JEEP (XK)

SERIES LINE
H = HIGHLINE T = JEEP - 2WD
P = PREMIUM J = JEEP - 4WD

BODY
74 = SPORT UTILITY 4-DR

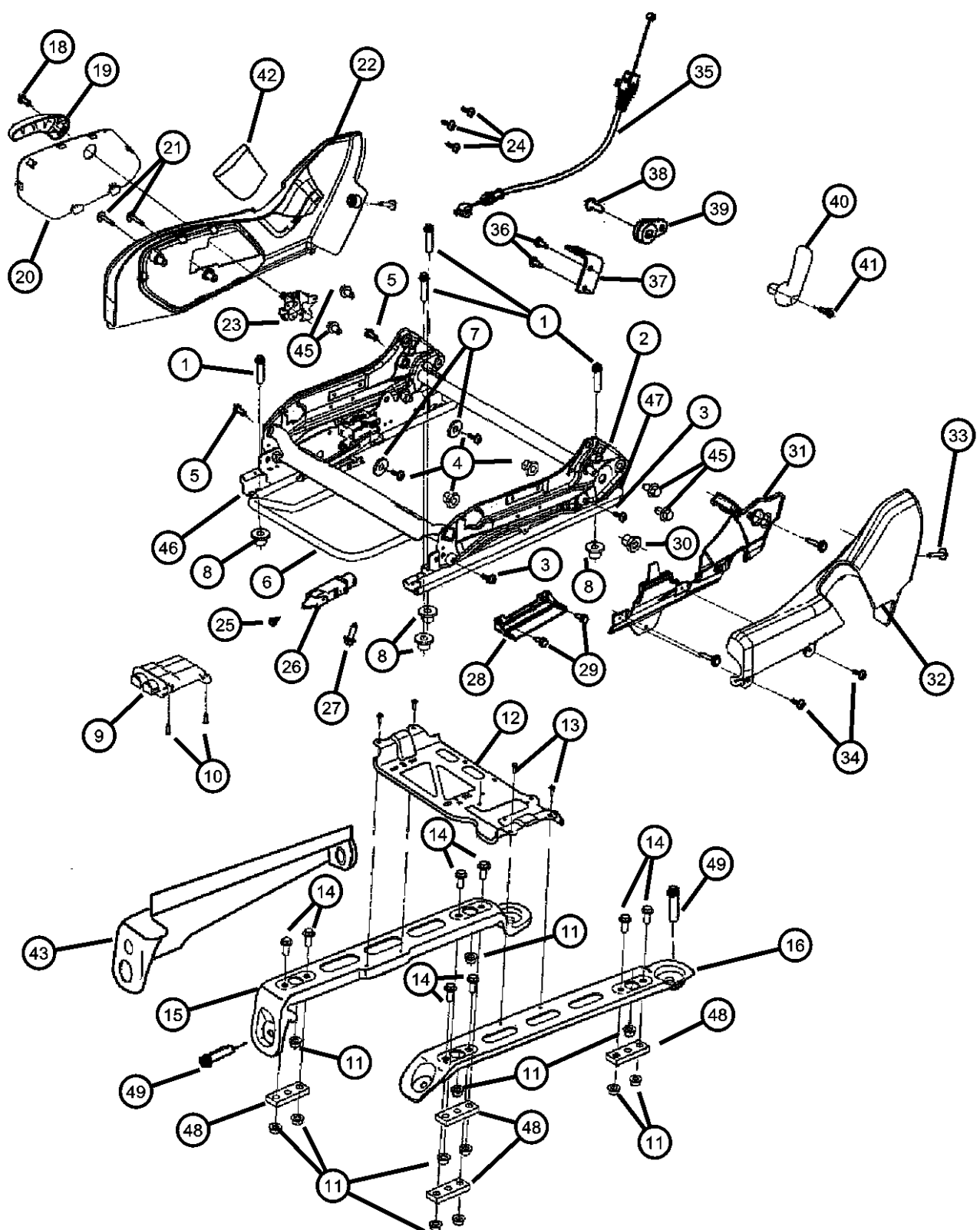
ENGINE
EKG = 3.7L V6 Engine
EVA = 4.7L V8 MPI Engine
EZB = 5.7L Hemi Multi Displacement Engine

TRANSMISSION
DGQ = 5-Spd Automatic 5-45RFE Transmission
DGJ = 5-Speed Automatic MB Transmission

AR = use ase required - = Non illustrated part

2006 XK

**Adjuster, Recliners, Manual Passenger Seat
Figure IXK-830**



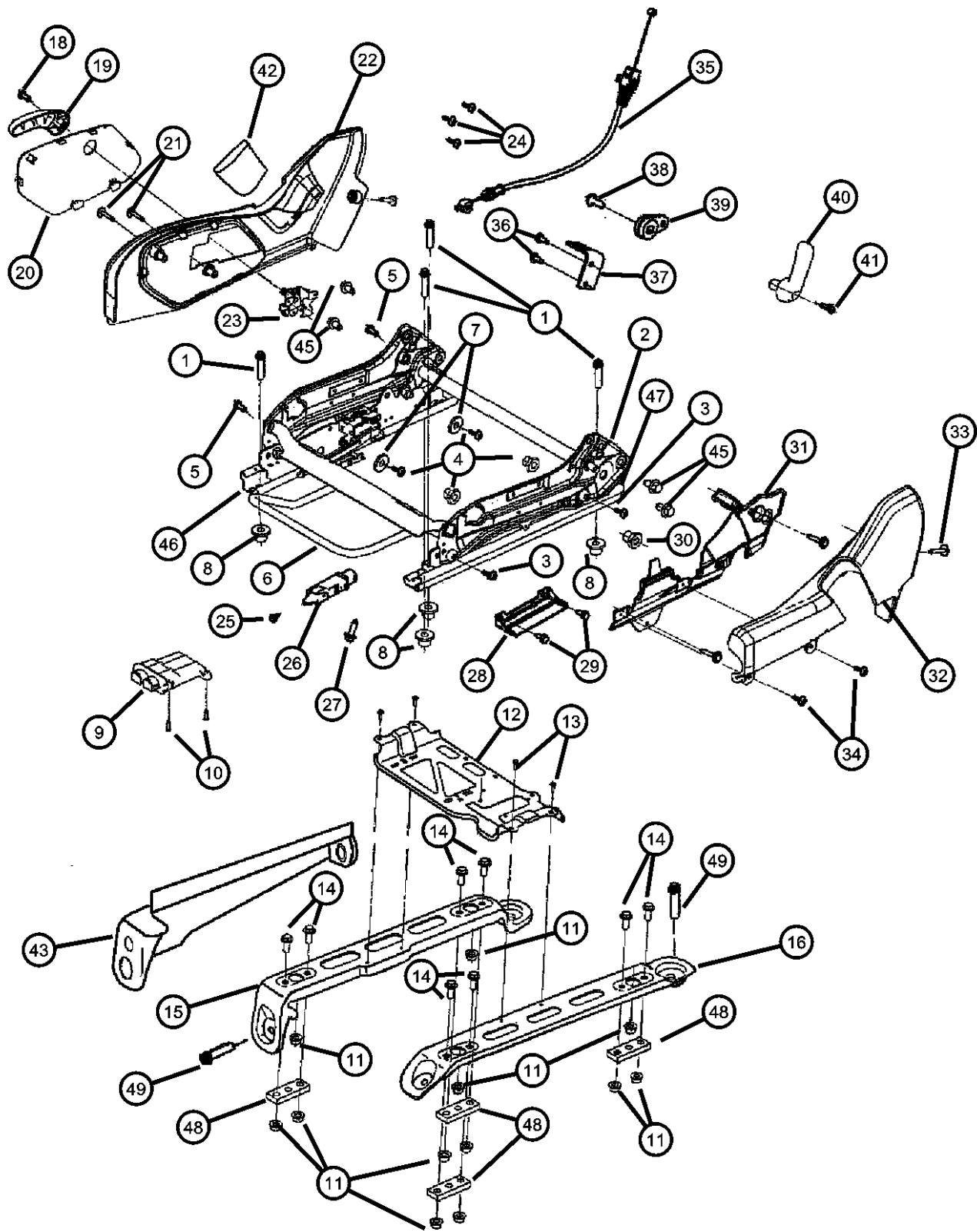
ITEM	PART NUMBER	QTY	LINE	SERIES	BODY	ENGINE	TRANS	TRIM	DESCRIPTION
0									
1	05143450AA	2						*K7	BOLT, Seat
2	05135282AA	1						*K7	FRAME, Front Seat Cushion
		1						*CL	
		1						*SL	
3	05135308AA	1							BOLT, Seat
		1						*K7	
		1						*CL	
		1						*SL	
4	05135309AA	1							NUT, Seat
		1						*K7	
		1						*CL	
		1						*SL	
5	05135310AA	1							BOLT, Seat
		1						*K7	
		1						*CL	
		1						*SL	
6	05135236AA	1							HANDLE, Towel Bar
		1						*K7	
		1						*CL	
		1						*SL	
7	05135312AA	1							SPACER, Seat Track
		1						*K7	
		1						*CL	
		1						*SL	
8	05143444AA	2						*K7	SPACER
9	56043195AZ	1						*K7	MODULE, Occupant Classification
10	05080813AA	1						*K7	SCREW
		1						*CL	
		1						*SL	
11	05143442AA	4						*K7	NUT, Seat
12	05143418AA	1						*K7	BRACKET, Module
13	05143451AA	16						*K7	SCREW, Seat

NEW JEEP (XK)

SERIES	LINE	BODY	ENGINE	TRANSMISSION
H = HIGHLINE	T = JEEP - 2WD	74 = SPORT UTILITY 4-DR	EKG = 3.7L V6 Engine	DGQ = 5-Spd Automatic 5-45RFE
P = PREMIUM	J = JEEP - 4WD		EVA = 4.7L V8 MPI Engine	Transmission
			EZB = 5.7L Hemi Multi	DGJ = 5-Speed Automatic MB
			Displacement Engine	Transmission

AR = use ase required - = Non illustrated part

**Adjuster, Recliners, Manual Passenger Seat
Figure IXK-830**



ITEM	PART NUMBER	QTY	LINE	SERIES	BODY	ENGINE	TRANS	TRIM	DESCRIPTION
14	05143443AA	2						*K7	BOLT, Seat, Mexico
15	05143414AA	1						*K7	RISER, Seat, Outboard
16	05143415AA	1						*K7	RISER, Seat, Inboard
17	05143488AA	4						*K7	SENSOR KIT, Strain Gauge
18	05072127AB	1						*K7	SCREW, Recliner Handle
19									HANDLE, Recliner
	0UZ281D5AB	1						*K7	[D5]
	0UZ281J3AB	1						*K7	[J3]
20									BEZEL
	1BG421D5AA	1						*K7	[D5]
	1BG421J3AA	1						*K7	[J3]
21	05143452AA	4						*K7	SCREW, Seat
22									SHIELD, Seat Adjuster
	1BG341D5AA	1						*K7	[D5]
	1BG341J3AA	1						*K7	[J3]
23	05143428AA	1						*K7	ACTUATOR
24	05143428AA	1							SCREW, Trim, (NOT SERVICED)
25	05143447AA	2						*K7	SCREW, Seat
26	56043206AC	2						*K7	SENSOR, Seat track position
27	05139628AA	5						*K7	BOLT
28	05143422AA	2						*K7	BRACKET, Seat
29									SCREW
	05139630AA	1						*K7	
		1						*CL	
		1						*SL	
30	05143449AA	2						*K7	NUT, Tube
31									PLATE, Front Seat
	1BG581D5AA	1						*K7	[D5]
	1BG581J3AA	1						*K7	[J3]
32									SHIELD, Seat Adjuster
	1BG411D5AA	1						*K7	[D5]
	1BG411J3AA	1						*K7	[J3]
33	05143452AA	4						*K7	SCREW, Seat
34	05143453AA	1						*K7	SCREW, Seat

NEW JEEP (XK)

SERIES LINE
H = HIGHLINE T = JEEP - 2WD
P = PREMIUM J = JEEP - 4WD

BODY
74 = SPORT UTILITY 4-DR

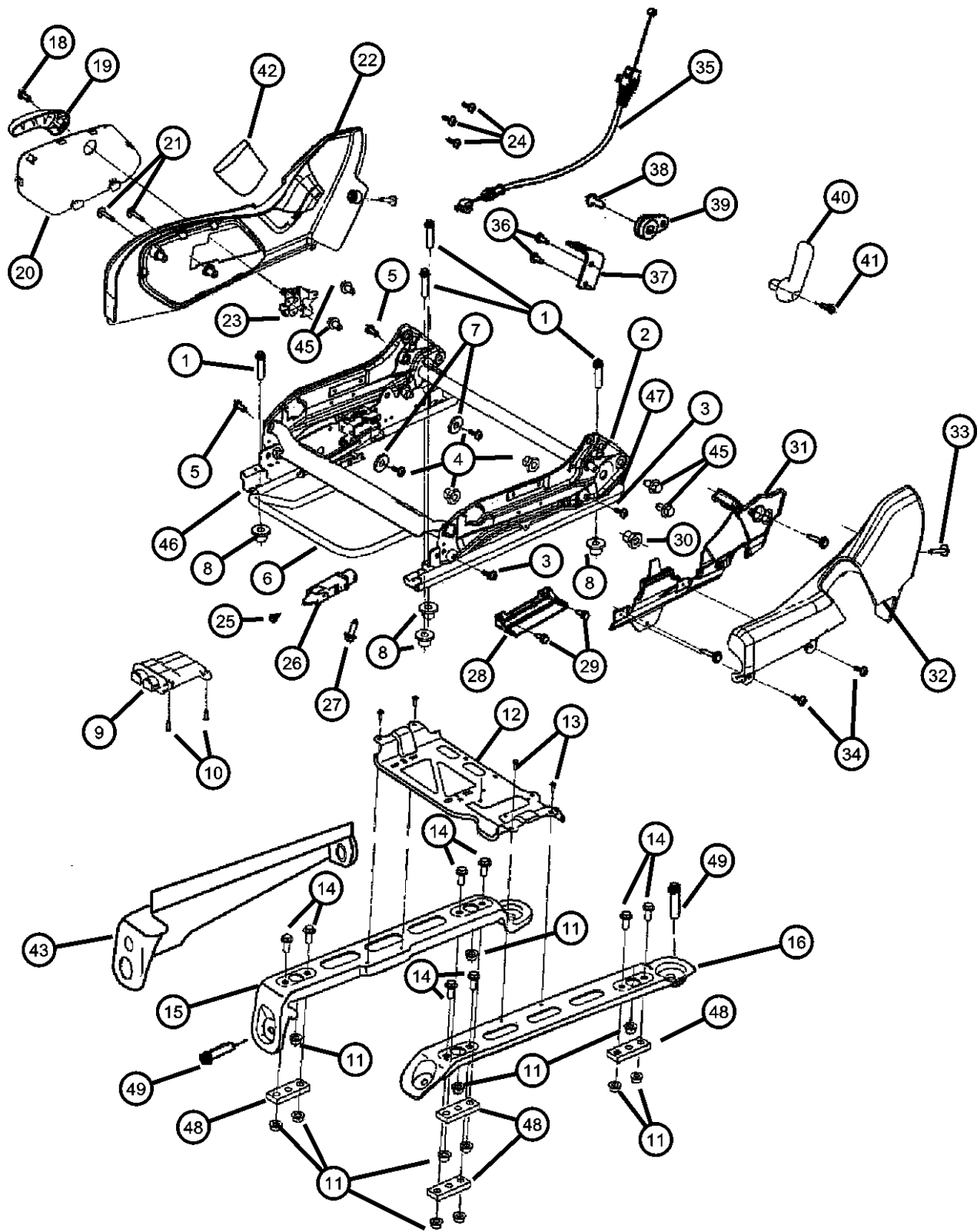
ENGINE
EKG = 3.7L V6 Engine
EVA = 4.7L V8 MPI Engine
EZB = 5.7L Hemi Multi Displacement Engine

TRANSMISSION
DGQ = 5-Spd Automatic 5-45RFE Transmission
DGJ = 5-Speed Automatic MB Transmission

AR = use ase required - = Non illustrated part

2006 XK

**Adjuster, Recliners, Manual Passenger Seat
Figure IXK-830**



ITEM	PART NUMBER	QTY	LINE	SERIES	BODY	ENGINE	TRANS	TRIM	DESCRIPTION
35	05143411AA	1						*K7	CABLE, Recliner
36	05143451AA	1						*K7	SCREW, Seat
37	05143426AA	1						*K7	BRACKET, Cable Mounting
38	04741274	1						*K7	SCREW, Torx Head, .25-20x.75
39	05143490AA	1						*K7	LEVER, Front Seat Recliner
40									HANDLE, Lumbar
	1BG531D5AA	2						*K7	[D5]
	1BG531J3AA	2						*K7	[J3]
41									SCREW
	05080813AA	1						*K7	
		1						*CL	
		1						*SL	
42									SHIELD, Seat Adjuster
	5KD261D5AA	1						*K7	[D5]
	5KD261J3AA	1						*K7	[J3]
43									COVER, Seat Track
	1BU241D5AA	1						*K7	[D5]
	1BU241J3AA	1						*K7	[J3]
-44									HARDWARE KIT
	05136790AA	1						*K7	
		1						*CL	
		1						*SL	
45	05139629AA	8						*K7	BOLT
46	05183666AA	1						*K7	ADJUSTER, Manual Seat, Outboard
47									ADJUSTER, Manual Seat, Inboard
	05143591AA	1						*K7	
		1						*CL	
		1						*SL	
48	05143685AA	4						*K7	SPACER, Mexico
49	06508286AA	8							BOLT, Seat

NEW JEEP (XK)

SERIES LINE
H = HIGHLINE T = JEEP - 2WD
P = PREMIUM J = JEEP - 4WD

BODY
74 = SPORT UTILITY 4-DR

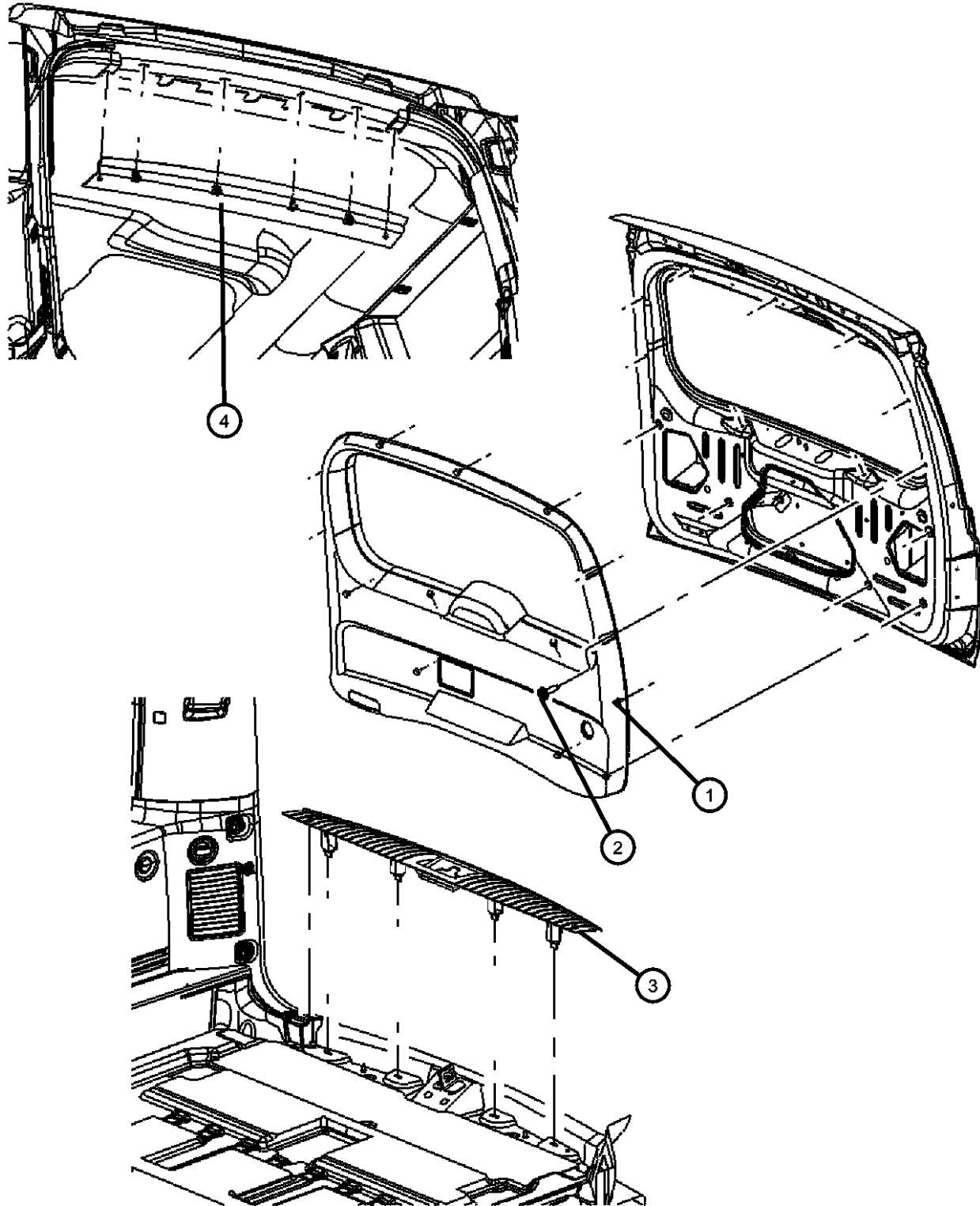
ENGINE
EKG = 3.7L V6 Engine
EVA = 4.7L V8 MPI Engine
EZB = 5.7L Hemi Multi Displacement Engine

TRANSMISSION
DGQ = 5-Spd Automatic 5-45RFE Transmission
DGJ = 5-Speed Automatic MB Transmission

AR = use ase required - = Non illustrated part

2006 XK

Liftgate Panel and Scuff Plate
Figure IXK-1010



ITEM	PART NUMBER	QTY	LINE	SERIES	BODY	ENGINE	TRANS	TRIM	DESCRIPTION
1									PANEL, Liftgate
	5JP22BD1AC	1						*00	[D1]
		1						*00	[J1]
	5JP22BD5AC	1						*00	[D5]
	5JP22ZJ3AC	1						*00	[J3]
2	5JP22ZJ3AC	1							SCREW, Self Tapping, M4.2x1.69x19.05, (NOT SERVICED), PLATE, Liftgate Scuff
3									
	5JP16BD1AE	1						*00	[D1]
		1						*00	[J1]
	5JP16BD5AE	1						*00	[D5]
	5JP16ZJ3AE	1						*00	[J3]
4									MOLDING, Rear Header
	5JP17BD1AB	1						*00	[D1]
		1						*00	[J1]
	5JP17BD5AB	1						*00	[D5]
	5JP17ZJ3AB	1						*00	[J3]
5									PANEL, Access
	1FD91BD1AA	1	J, T		74			*00	[D1]
	1FD91BD5AA	1	J, T		74			*00	[D5]
	1FD91ZJ3AA	1	J, T		74			*00	[J3]

NEW JEEP (XK)

SERIES LINE
H = HIGHLINE T = JEEP - 2WD
P = PREMIUM J = JEEP - 4WD

BODY
74 = SPORT UTILITY 4-DR

ENGINE
EKG = 3.7L V6 Engine
EVA = 4.7L V8 MPI Engine
EZB = 5.7L Hemi Multi
Displacement Engine

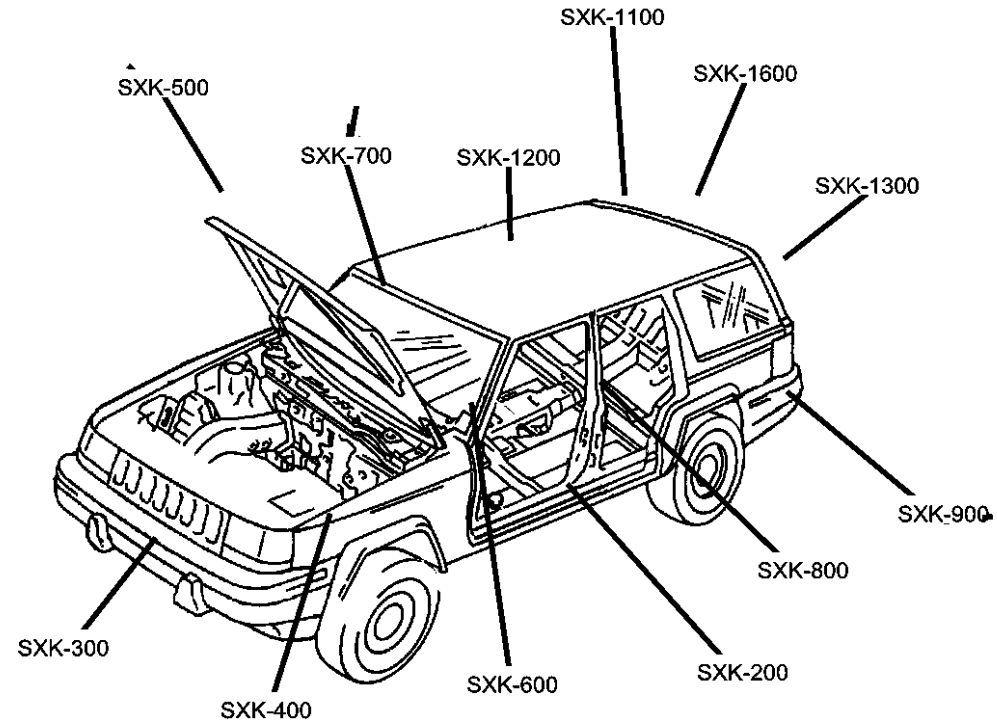
TRANSMISSION
DGQ = 5-Spd Automatic 5-45RFE
Transmission
DGJ = 5-Speed Automatic MB
Transmission

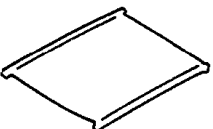
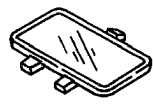
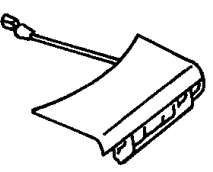
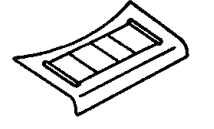
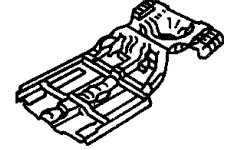

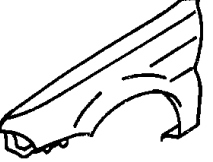
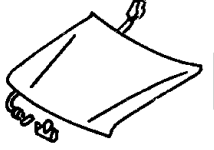
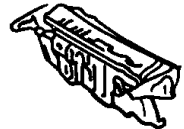

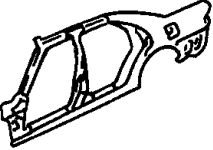
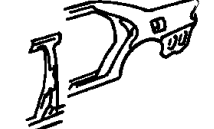
AR = use ase required - = Non illustrated part

2006 XK

Group - SXX

Body Sheet Metal Except Doors

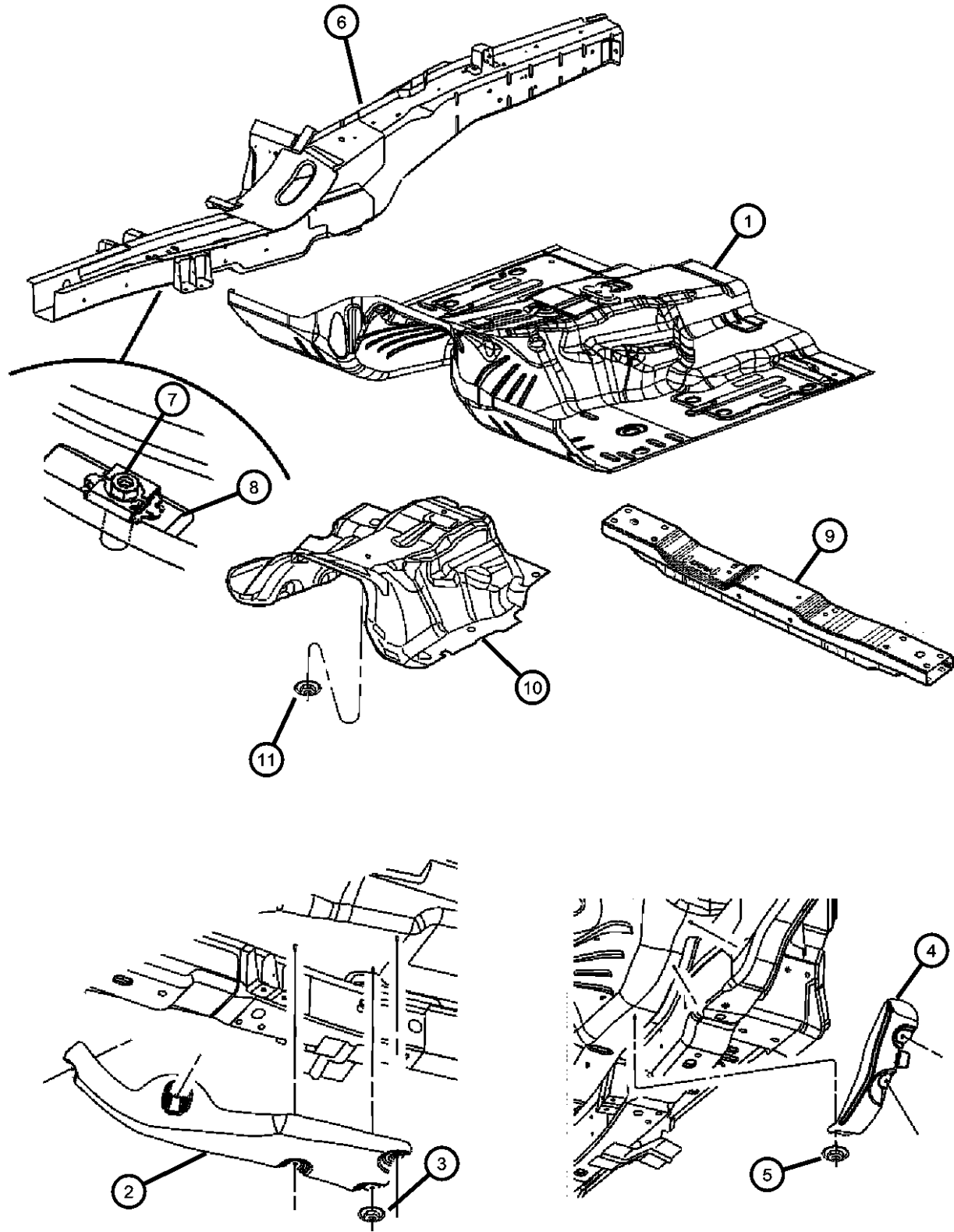


SXX-1100 Roof Panels 	SXX-1200 Sunroof 	SXX-1300 Liftgate Panel 	SXX-1600 Luggage Rack 
SXX-200 Floor Pans 	SXX-300 Plugs 	SXX-400 Front Fenders 	SXX-500 Hood and Hood Release 
SXX-600 Cowl and Dash Panel 	SXX-700 Glass and Rear View Mirror 	SXX-800 Aperture Panel 	SXX-900 Quarter Panel and Pillars 

Group - SXX Body Sheet Metal Except Doors

Illustration Title	Group-Fig. No.
Floor Pans	
Front Floor Pan.....	Fig. SXX - 210
Center and Rear Floor Pan.....	Fig. SXX - 220
Plugs	
Plugs.....	Fig. SXX - 310
Front Fenders	
Front Fender.....	Fig. SXX - 410
Hood and Hood Release	
Hood, Latch, Hinges.....	Fig. SXX - 510
Cowl and Dash Panel	
Panels, Cowl and Dash.....	Fig. SXX - 610
Insulation, Dash And Cowl.....	Fig. SXX - 620
Glass and Rear View Mirror	
Glass, Windshield, Backlite, Quarter Window, Rear View Mirror.....	Fig. SXX - 710
Aperture Panel	
Panel , Body Side.....	Fig. SXX - 810
Quarter Panel and Pillars	
Panels, Rear Quarter.....	Fig. SXX - 910
Roof Panels	
Panels, Roof.....	Fig. SXX - 1110
Sunroof	
Sunroof.....	Fig. SXX - 1210
Liftgate Panel	
Liftgate, Latch and Hinges.....	Fig. SXX - 1310
Luggage Rack	
Roof Rack.....	Fig. SXX - 1610

Front Floor Pan
Figure SXX-210



ITEM	PART NUMBER	QTY	LINE	SERIES	BODY	ENGINE	TRANS	TRIM	DESCRIPTION
1	55394418AE	1							PAN, Floor
2	55394456AC	1							SHIELD, Heat
3	06505199AA	5							NUT
4	55394453AA	1							SHIELD, Heat
5	06505199AA	4							NUT
6									RAIL, Frame Side
	55394058AL	1							Right
	55394059AL	1							Left
7	06101916	1							NUT, Hex Weld, M8x1.25
8	55136398AB	1							PLATE, Control Arm
9	52090070AI	1							CROSSMEMBER, Transmission
10	55197007AD	1							INSULATION, Floor
11	06508463AA	4							NUT, Plastic

NEW JEEP (XK)

SERIES LINE
H = HIGHLINE T = JEEP - 2WD
P = PREMIUM J = JEEP - 4WD

BODY
74 = SPORT UTILITY 4-DR

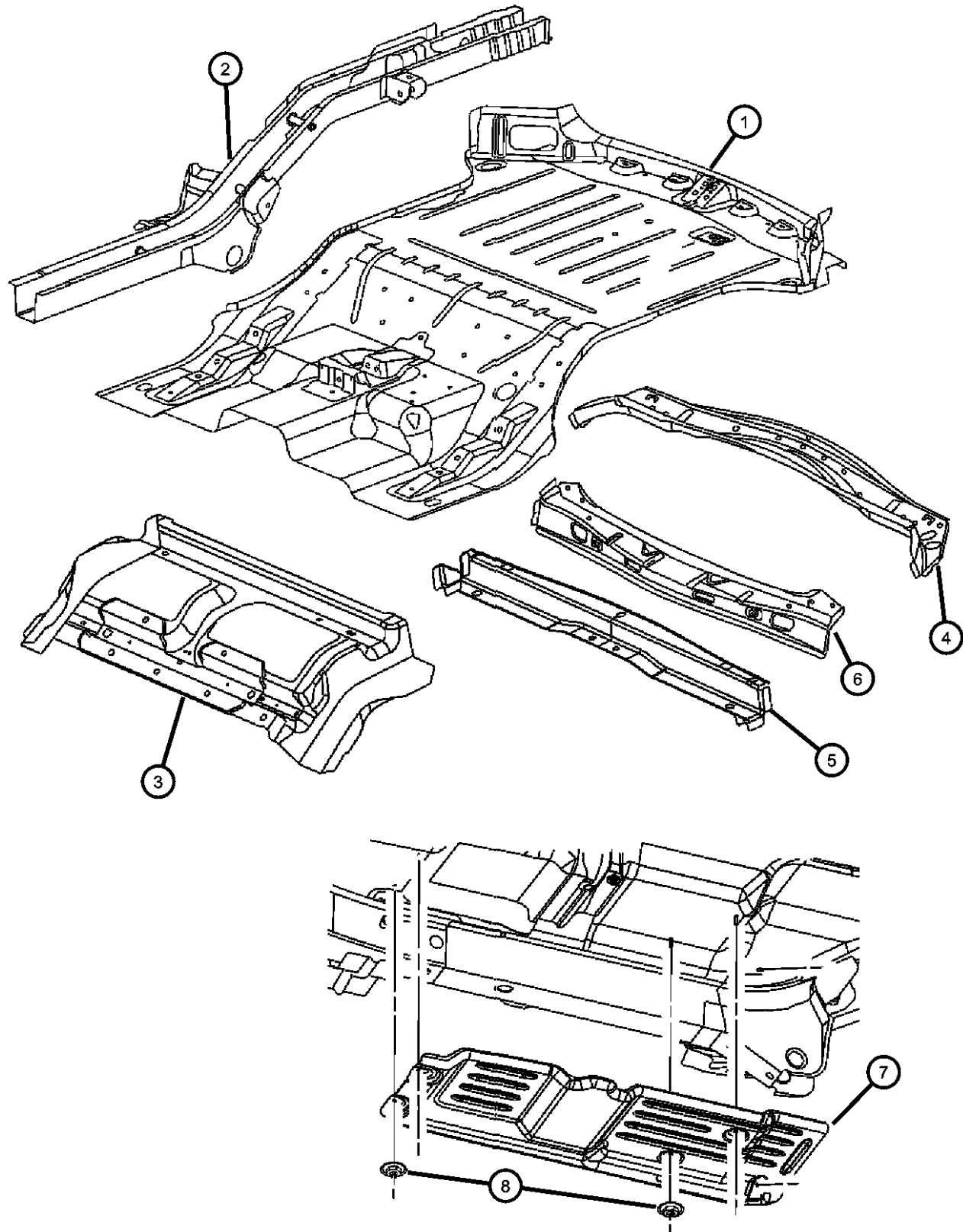
ENGINE
EKG = 3.7L V6 Engine
EVA = 4.7L V8 MPI Engine
EZB = 5.7L Hemi Multi
Displacement Engine

TRANSMISSION
DGQ = 5-Spd Automatic 5-45RFE
Transmission
DGJ = 5-Speed Automatic MB
Transmission

AR = use ase required - = Non illustrated part

2006 XK

**Center and Rear Floor Pan
Figure S XK-220**



ITEM	PART NUMBER	QTY	LINE	SERIES	BODY	ENGINE	TRANS	TRIM	DESCRIPTION
1	55396628AG	1	J, T		74				PAN, Floor
2	05183124AA	1							RAIL, Rear Floor Pan Side Right
	05183125AA	1							
3	55396792AE	1							CROSSMEMBER, Floor Pan
4	55396340AE	1							CROSSMEMBER, Floor Pan
5	55396447AC	1							CROSSMEMBER, Floor Pan
6	55396186AB	1							CROSSMEMBER, Rear FloorRear Outer
7	55394460AB	1							SHIELD, Heat
8	06505199AA	4							NUT

NEW JEEP (XK)

SERIES LINE
H = HIGHLINE T = JEEP - 2WD
P = PREMIUM J = JEEP - 4WD

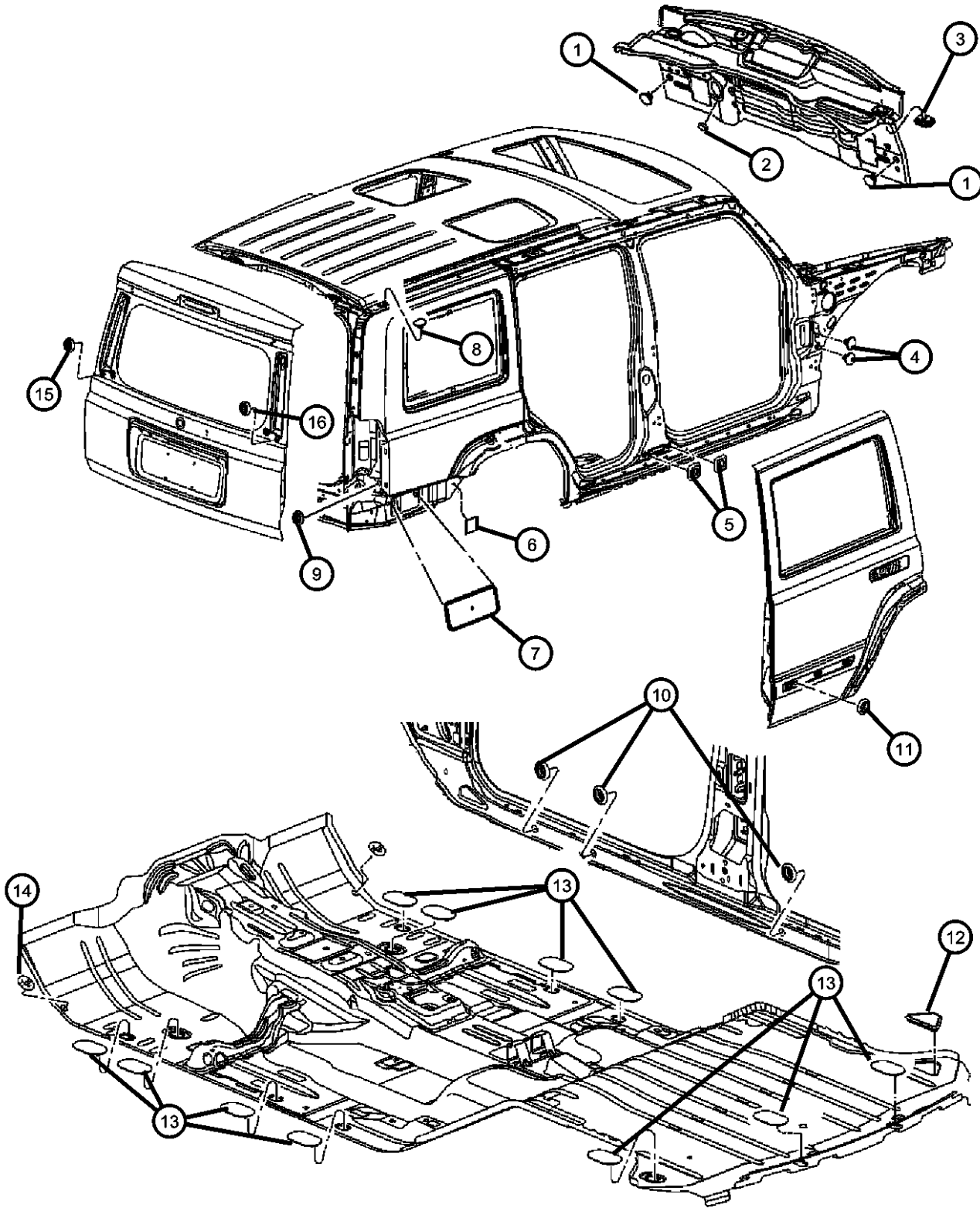
BODY
74 = SPORT UTILITY 4-DR

ENGINE
EKG = 3.7L V6 Engine
EVA = 4.7L V8 MPI Engine
EZB = 5.7L Hemi Multi Displacement Engine

TRANSMISSION
DGQ = 5-Spd Automatic 5-45RFE Transmission
DGJ = 5-Speed Automatic MB Transmission

AR = use ase required - = Non illustrated part

Plugs
Figure SXX-310



ITEM	PART NUMBER	QTY	LINE	SERIES	BODY	ENGINE	TRANS	TRIM	DESCRIPTION
1	55360494AA	2							PLUG, Body, 1.00 Diameter
2	04674441	1							PLUG, Body, .75 Diameter
3	55136456AB	1							PLUG, Body
4	55136859AB	4							PLUG
5	55136566AA	4							PLUG, Body
6	55364097AA	2							TAPE
7	55396896AB	1							PLUG, Body
8	55396896AB	1							PLUG, (NOT SERVICED)
9	55136752AA	2							PLUG, Body
10	05255216	2							PLUG, Body, .875 Diameter
11	05255216	2							PLUG, Body, .875 Diameter
12	55369072AA	1							PLUG, Body
13	55360966AA	12							PLUG, Floor Pan
14	04440294	2							PLUG
15	55369240AA	1							BUMPER, Liftgate Glass
16	55369242AA	1							BUMPER, Liftgate Glass

NEW JEEP (XK)

SERIES LINE
H = HIGHLINE T = JEEP - 2WD
P = PREMIUM J = JEEP - 4WD

BODY
74 = SPORT UTILITY 4-DR

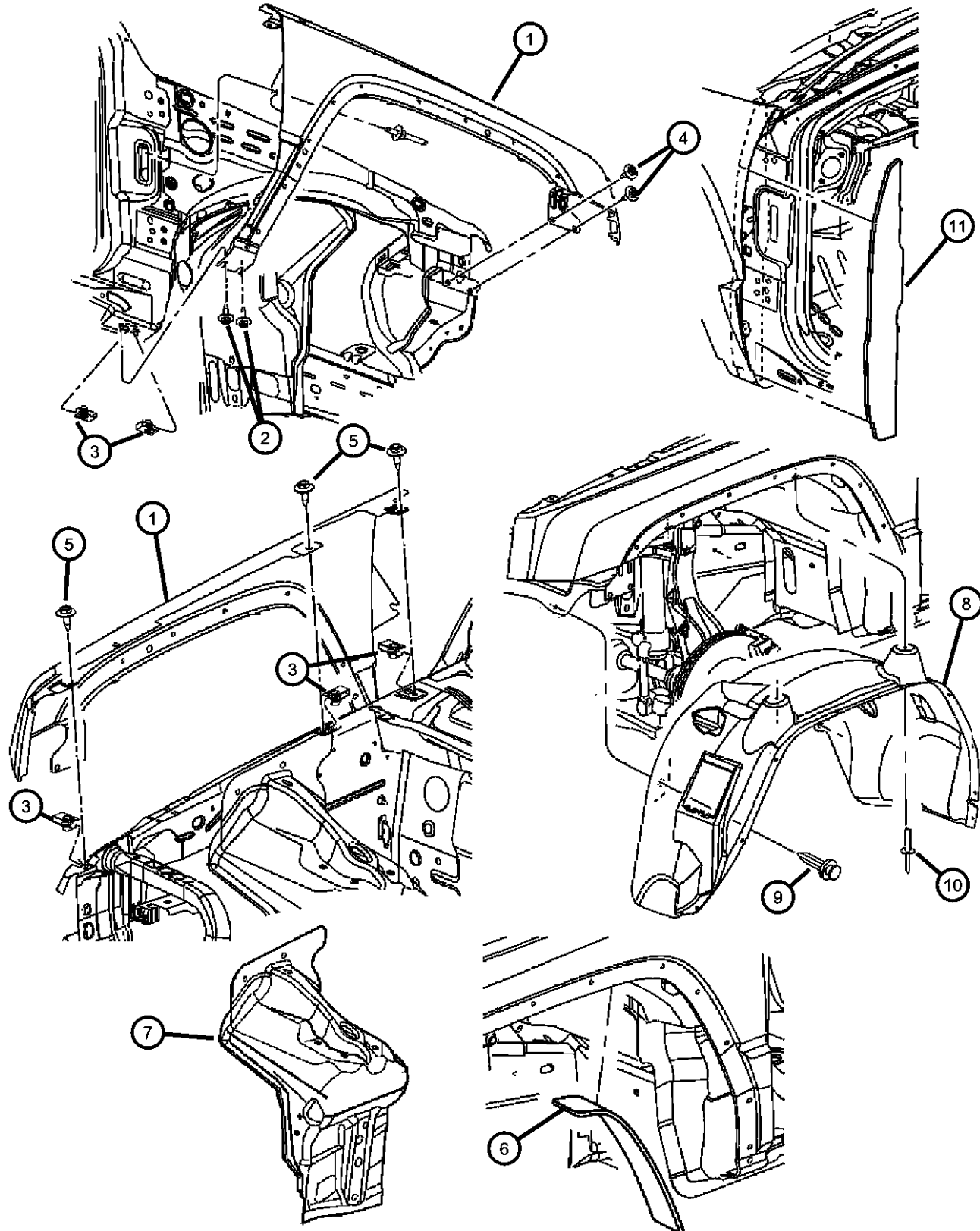
ENGINE
EKG = 3.7L V6 Engine
EVA = 4.7L V8 MPI Engine
EZB = 5.7L Hemi Multi
Displacement Engine

TRANSMISSION
DGQ = 5-Spd Automatic 5-45RFE
Transmission
DGJ = 5-Speed Automatic MB
Transmission

AR = use ase required - = Non illustrated part

2006 XK

Front Fender
Figure SXX-410



ITEM	PART NUMBER	QTY	LINE	SERIES	BODY	ENGINE	TRANS	TRIM	DESCRIPTION
1	55369218AA	1							FENDER, Front Right
	55369219AA	1							Left
2	06505903AA	4							SCREW AND WASHER, Self Tapping, M6x1x22
3	06505903AA	4							NUT, U, M6x1, (NOT SERVICED)
4	06505903AA	4							SCREW AND WASHER, Self Tapping, M6x1x22
5	06100286	6							BOLT AND CONED WASHER, Hex Head, M6x20x20
6	55197234AB	2							STUFFERRight & Left
7									SUPPORT, Suspension
	05161876AC	1							Right
	05161877AC	1							Left
8									LINER, Fender Side
	55396462AA	1							Right
	55396463AA	1							Left
9	34201621	4							RIVET, M6.3x37.40
10	06500911	4							RIVET, M6.25x28
11	55396468AA	2							SILENCER, Cowl Side To Fender

NEW JEEP (XK)

SERIES LINE
H = HIGHLINE T = JEEP - 2WD
P = PREMIUM J = JEEP - 4WD

BODY
74 = SPORT UTILITY 4-DR

ENGINE
EKG = 3.7L V6 Engine
EVA = 4.7L V8 MPI Engine
EZB = 5.7L Hemi Multi
Displacement Engine

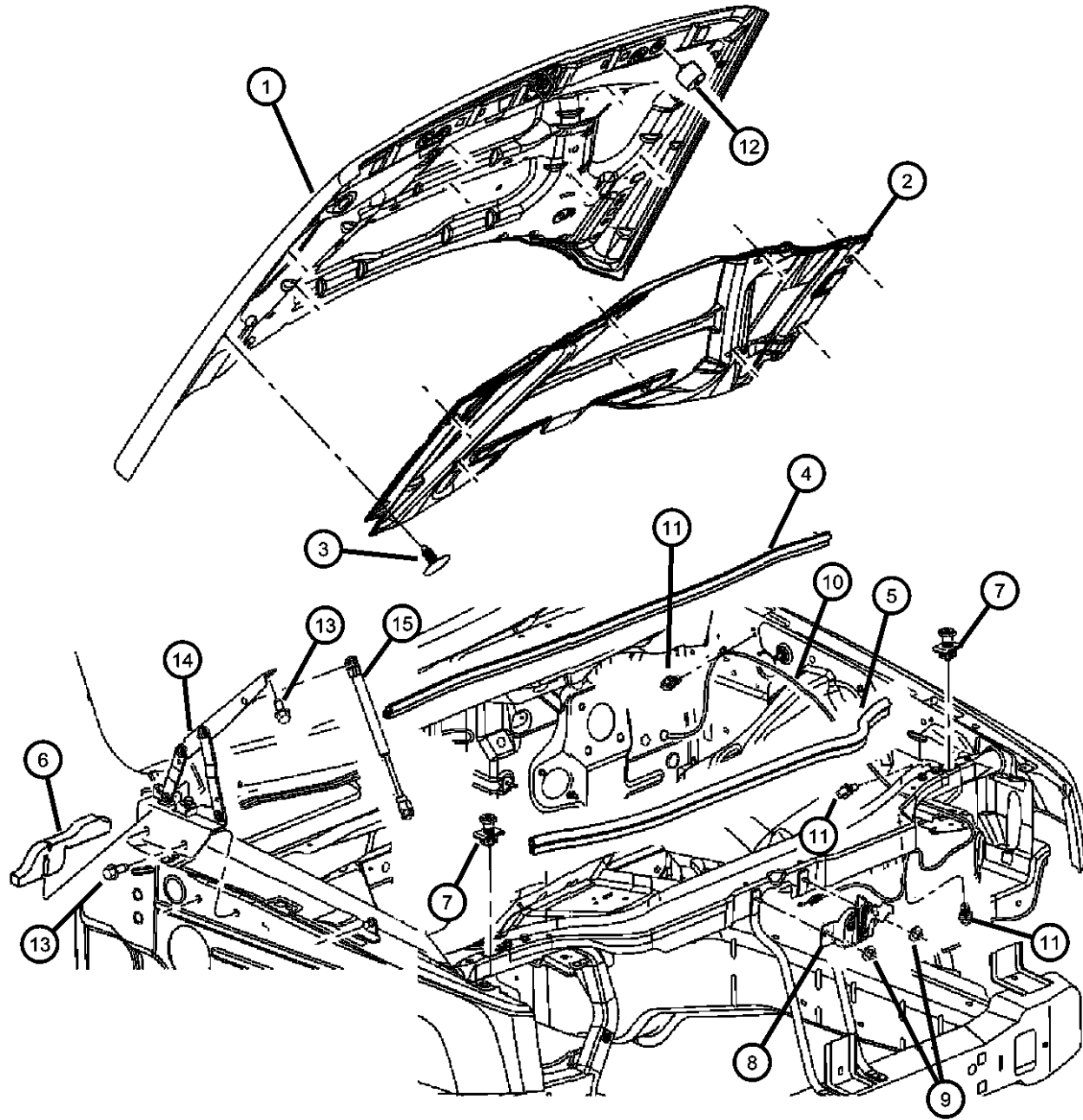
TRANSMISSION
DGQ = 5-Spd Automatic 5-45RFE
Transmission
DGJ = 5-Speed Automatic MB
Transmission

AR = use ase required - = Non illustrated part

2006 XK

Hood, Latch, Hinges
Figure SXX-510

ITEM	PART NUMBER	QTY	LINE	SERIES	BODY	ENGINE	TRANS	TRIM	DESCRIPTION
1	55396564AB	1							PANEL, Hood
2	55197102AC	1							INSULATION, Hood
3	06506293AA	9							PIN, Push
4	55396671AB	1							SEAL, Hood To Plenum
5	55396672AA	1							WEATHERSTRIP, Hood
6	55396675AA	2							SEAL, Hood To Plenum
7	55364470AB	2							BUMPER, Hood
8	55396247AD	1							LATCH, Hood
9	06501483	2							NUT, Hex Flange, M8x1.25
10	55394495AB	1							CABLE, Hood Release
11	04814094	3							CLIP, Hood Latch Release
12	05054227AA	2							BUMPER, Hood
13	06503543	4							BOLT AND CONED WASHER, Hex Head, M8x1.25x25
14									HINGE, Hood Right
	55369114AB	1							Right
	55369115AB	1							Left
15	55396526AB	2							PROP, HoodRight & Left



NEW JEEP (XK)

SERIES LINE
H = HIGHLINE T = JEEP - 2WD
P = PREMIUM J = JEEP - 4WD

BODY
74 = SPORT UTILITY 4-DR

ENGINE
EKG = 3.7L V6 Engine
EVA = 4.7L V8 MPI Engine
EZB = 5.7L Hemi Multi
Displacement Engine

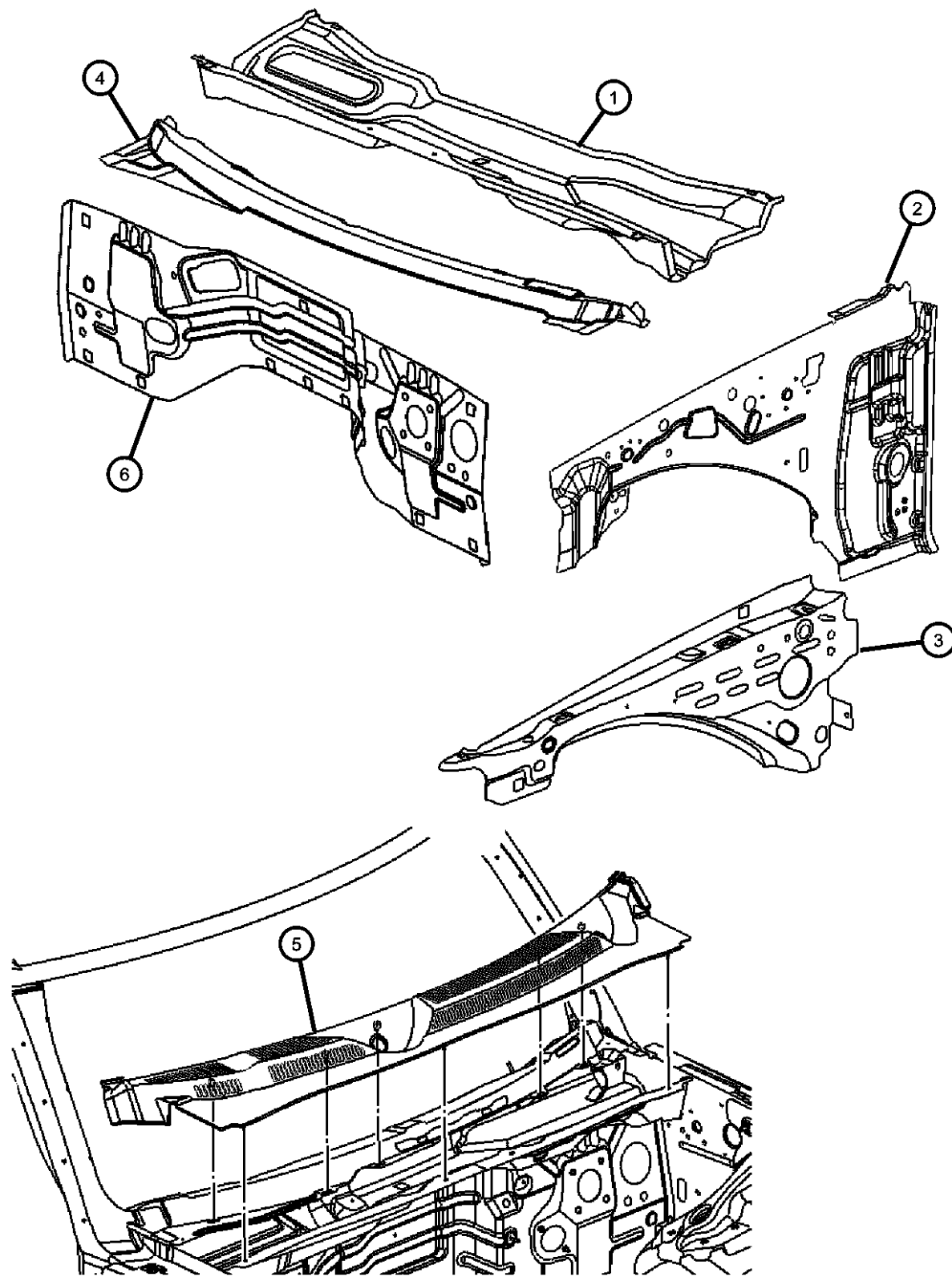
TRANSMISSION
DGQ = 5-Spd Automatic 5-45RFE
Transmission
DGJ = 5-Speed Automatic MB
Transmission

AR = use ase required - = Non illustrated part

2006 XK

Panels, Cowl and Dash
Figure SXX-610

ITEM	PART NUMBER	QTY	LINE	SERIES	BODY	ENGINE	TRANS	TRIM	DESCRIPTION
1	55396545AC	1							PANEL, Cowl And Plenum
2									PANEL, Cowl
	55394112AH	1							Right
	55394113AH	1							Left
3									REINFORCEMENT, Cowl Side
	55396570AA	1							Right
	55396571AA	1							Left
4	55396521AH	1							PANEL, Cowl Top
5	55157393AB	1							COVER, Cowl Grille
6	55394100AH	1							PANEL, Dash



NEW JEEP (XK)

SERIES LINE
H = HIGHLINE T = JEEP - 2WD
P = PREMIUM J = JEEP - 4WD

BODY
74 = SPORT UTILITY 4-DR

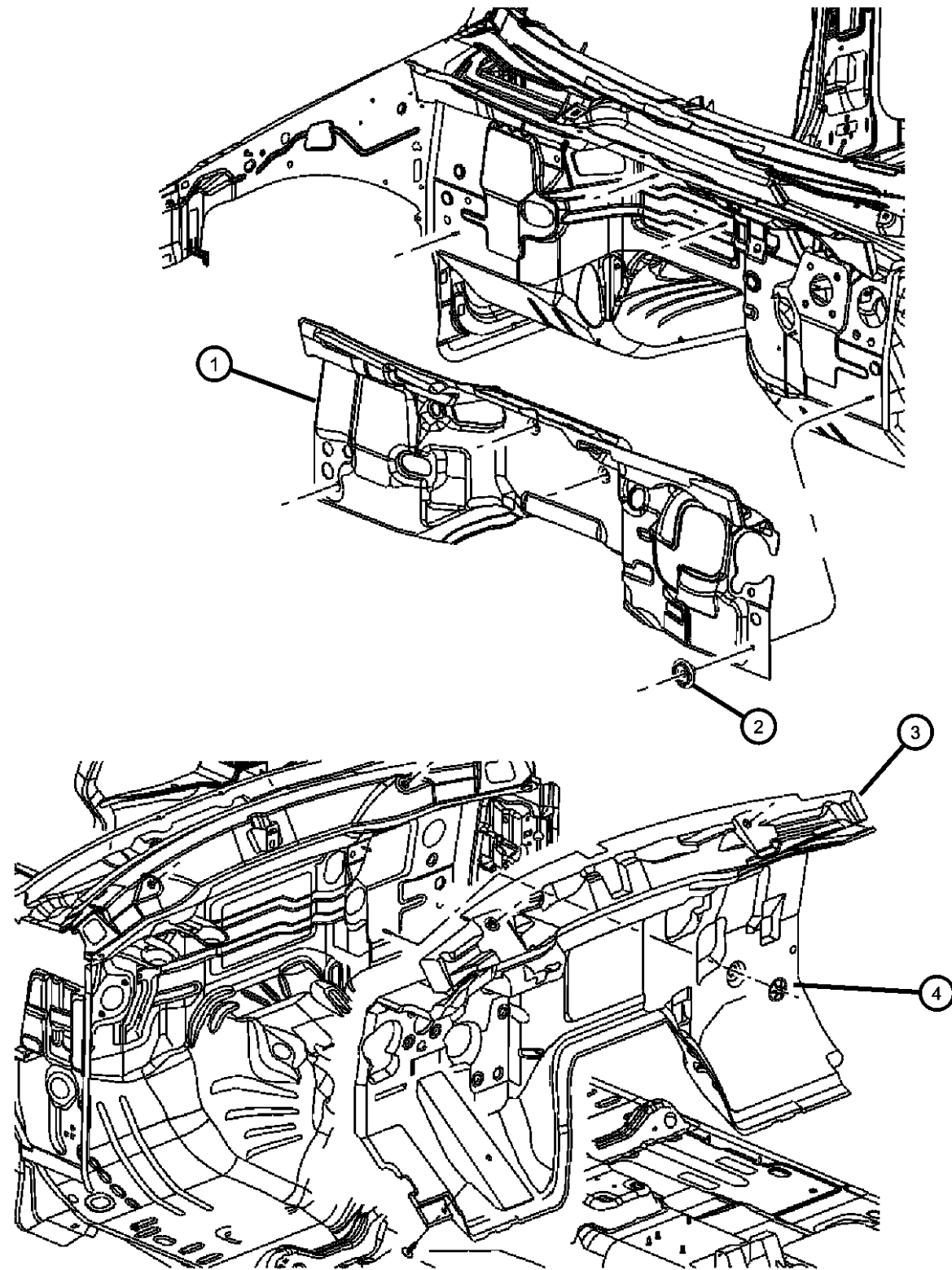
ENGINE
EKG = 3.7L V6 Engine
EVA = 4.7L V8 MPI Engine
EZB = 5.7L Hemi Multi
Displacement Engine

TRANSMISSION
DGQ = 5-Spd Automatic 5-45RFE
Transmission
DGJ = 5-Speed Automatic MB
Transmission

AR = use ase required - = Non illustrated part

2006 XK

**Insulation, Dash And Cowl
Figure SXX-620**



ITEM	PART NUMBER	QTY	LINE	SERIES	BODY	ENGINE	TRANS	TRIM	DESCRIPTION
1	55196984AE	1							INSULATION, Dash Panel, Engine Side
2	06508463AA	4							NUT, Plastic
3	55196981AJ	1							INSULATION, Dash Panel, Interior
4	06505984AA	3							NUT

NEW JEEP (XK)

SERIES	LINE
H = HIGHLINE	T = JEEP - 2WD
P = PREMIUM	J = JEEP - 4WD

BODY
74 = SPORT UTILITY 4-DR

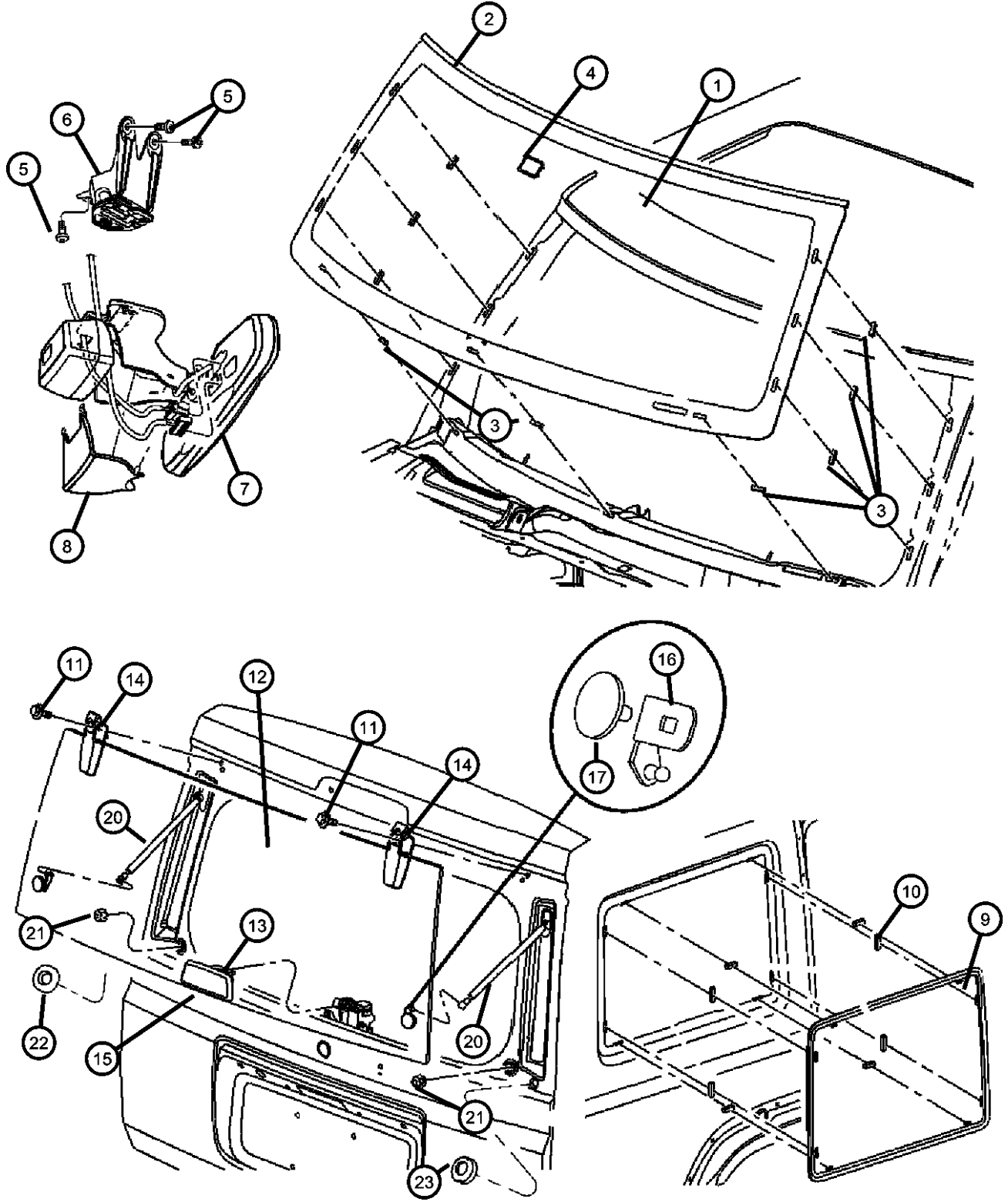
ENGINE
EKG = 3.7L V6 Engine
EVA = 4.7L V8 MPI Engine
EZB = 5.7L Hemi Multi Displacement Engine

TRANSMISSION
DGQ = 5-Spd Automatic 5-45RFE Transmission
DGJ = 5-Speed Automatic MB Transmission

AR = use ase required - = Non illustrated part

2006 XK

**Glass, Windshield, Backlite, Quarter Window, Rear View Mirror
Figure SXX-710**



ITEM	PART NUMBER	QTY	LINE	SERIES	BODY	ENGINE	TRANS	TRIM	DESCRIPTION
------	-------------	-----	------	--------	------	--------	-------	------	-------------

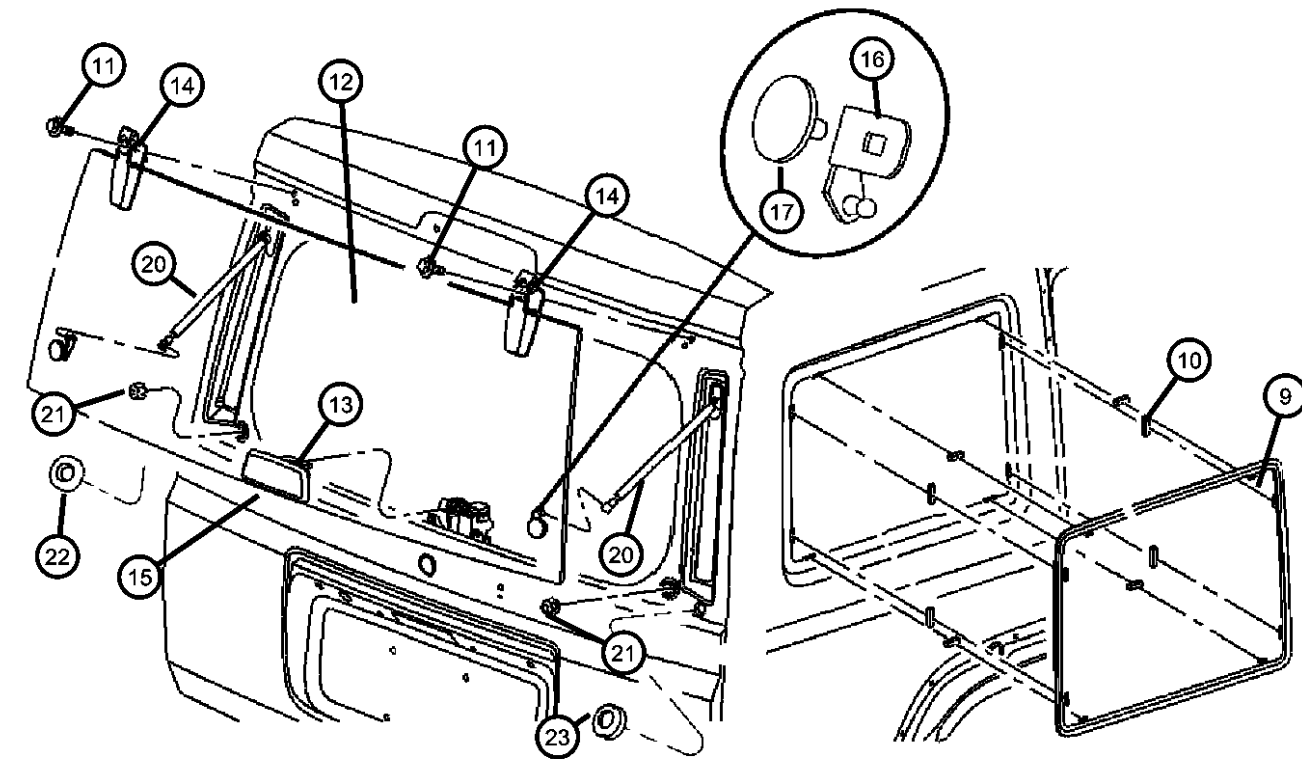
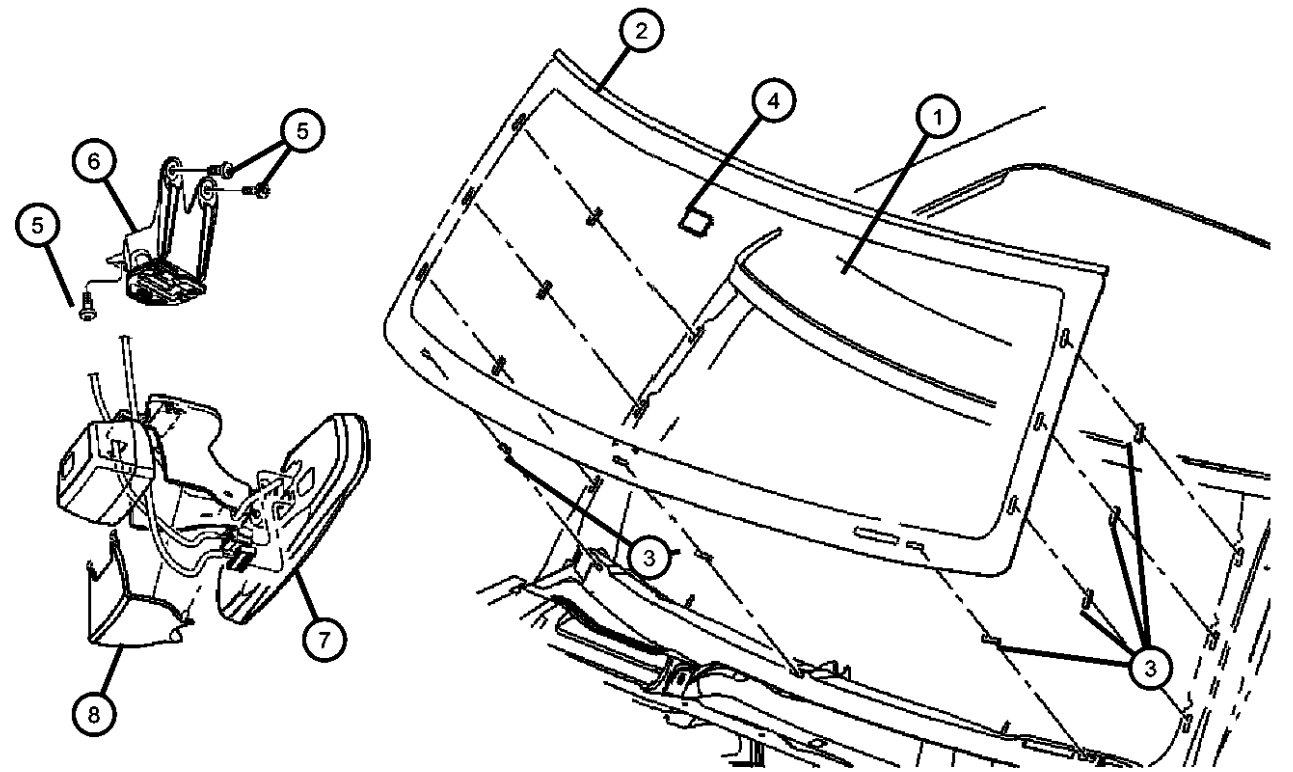
Sales Codes:
 [GNA] = Rear View Day/Night Mirror
 [GNK] = Rear View Auto Dim Mirror
 [LMS] = Smart Beam Headlights
 [RSP] = Uconnect Hands Free Communication

1	55369029AE	1							WINDSHIELD With [JHC] Rain Sensitive Windshield Wipers
	55396476AE	1							Without [JHC] Rain Sensitive Windshield Wipers
2	55369035AB	1							MOLDING, Windshield
3	55369224AA	9							SPACER, Windshield
4	55369224AA	9							BRACKET, Sensor Mounting, (NOT SERVICED)
5	06104142AA	3							SCREW
6	55157016AB	1							EXTENSION, Mirror
7	55157058AB	1							MIRROR, Inside Rear View With Auto Dim [GNK] Only
	55157059AB	1							With Day/ Night [GNA]
	55157066AB	1							With Auto Dim [GNK], SmartBeam Headlights [LMS] and Hands Free Communication [RSP]
	55157071AB	1							With Auto Dim [GNK], Hands Free Communication [RSP] Without SmartBeam Headlights [LMS]
	55157396AA	1							With Auto Dim [GNK], SmartBeam Headlights [LMS] Without Hands Free Communication [RSP]
8	55157433AA	1							COVER, Inside Mirror With Auto Dim [GNK], SmartBeam Headlights [LMS] and Hands Free Communication [RSP]
	55157434AA	1							With Auto Dim [GNK] Without SmartBeam Headlights [LMS]
9	55396802AD	1							GLASS, Quarter Window Right
	DQ10989YPY								Collision Replacement Glass
	55396803AD	1							Left
	DQ10990YPY								Collision Replacement Glass

NEW JEEP (XK)				
SERIES	LINE	BODY	ENGINE	TRANSMISSION
H = HIGHLINE	T = JEEP - 2WD	74 = SPORT UTILITY 4-DR	EKG = 3.7L V6 Engine	DGQ = 5-Spd Automatic 5-45RFE
P = PREMIUM	J = JEEP - 4WD		EVA = 4.7L V8 MPI Engine	Transmission
			EZB = 5.7L Hemi Multi Displacement Engine	DGJ = 5-Speed Automatic MB Transmission

AR = use ase required - = Non illustrated part

**Glass, Windshield, Backlite, Quarter Window, Rear View Mirror
Figure SXX-710**



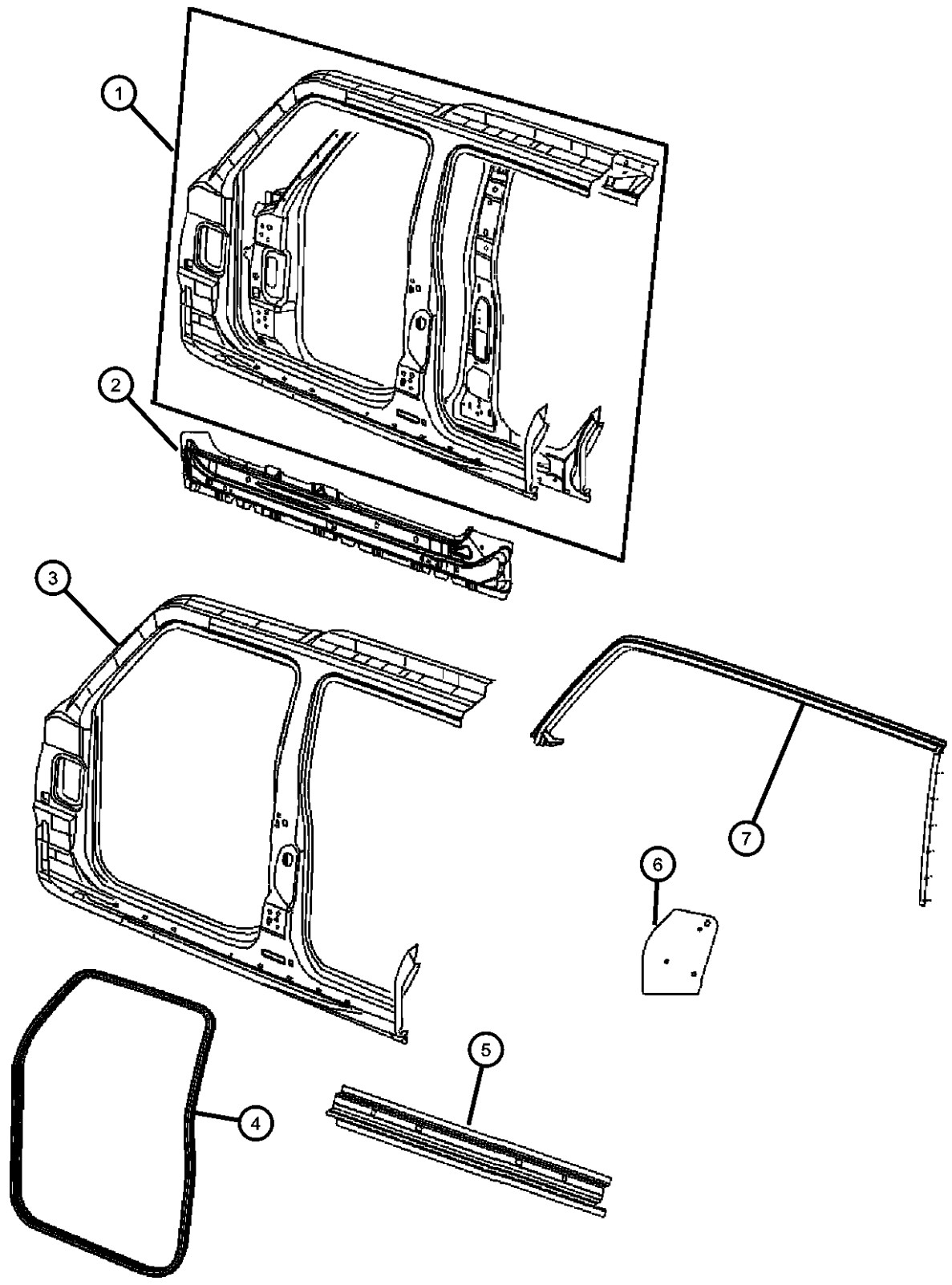
ITEM	PART NUMBER	QTY	LINE	SERIES	BODY	ENGINE	TRANS	TRIM	DESCRIPTION
10	55369224AA	16							SPACER, Windshield
11	06502808	2							SCREW, M6x1x25
12	55396485AB	1							BACKLITE
13	55369021AA	1							STRIKER, Liftgate Glass
14									HINGE, Liftglass
	55369022AA	1							Right
	55369023AA	1							Left
15	55396413AA	1							PAD, Isolator
16									BALL STUD, Liftgate Glass
	55136968AA	1							Right
	55136969AA	1							Left
17	06506200AA	2							FASTENER
-18	55295914	4							GASKET, Ball Stud
-19	06101968	2							NUT, M6x1.00, Ball Stud Attach
20	55369333AB	2							GAS CYLINDER, Liftgate Glass
21	55136845AA	2	J, T		74				BUMPER, Liftgate Glass
22	55369240AA	1							BUMPER, Liftgate Glass, Left
23	55369242AA	1							BUMPER, Liftgate Glass, Right

NEW JEEP (XK)		BODY	ENGINE	TRANSMISSION
SERIES	LINE	74 = SPORT UTILITY 4-DR	EKG = 3.7L V6 Engine	DGQ = 5-Spd Automatic 5-45RFE
H = HIGHLINE	T = JEEP - 2WD		EVA = 4.7L V8 MPI Engine	Transmission
P = PREMIUM	J = JEEP - 4WD		EZB = 5.7L Hemi Multi Displacement Engine	DGJ = 5-Speed Automatic MB Transmission

AR = use ase required - = Non illustrated part

2006 XK

Panel , Body Side
Figure SXX-810



ITEM	PART NUMBER	QTY	LINE	SERIES	BODY	ENGINE	TRANS	TRIM	DESCRIPTION
1	05183162AA	1							PANEL, Body Side Aperture Front, Complete Right
	05183163AA	1							Left
2	55394454AC	1							SILL, Body Side Right
	55394455AC	1							Left
3	05183166AA	1							PANEL, Body Side Aperture Front, Outer Right
	05183167AA	1							Left
4	55396698AE	2							SEAL, Front Door
5	55396848AA	2							REINFORCEMENT, Sill
6	55396276AB	2							EXTENSION, Body Side Aperture
7	55396716AC	1							SEAL, Body Side Right
	55396717AC	1							Left

NEW JEEP (XK)

SERIES LINE
H = HIGHLINE T = JEEP - 2WD
P = PREMIUM J = JEEP - 4WD

BODY
74 = SPORT UTILITY 4-DR

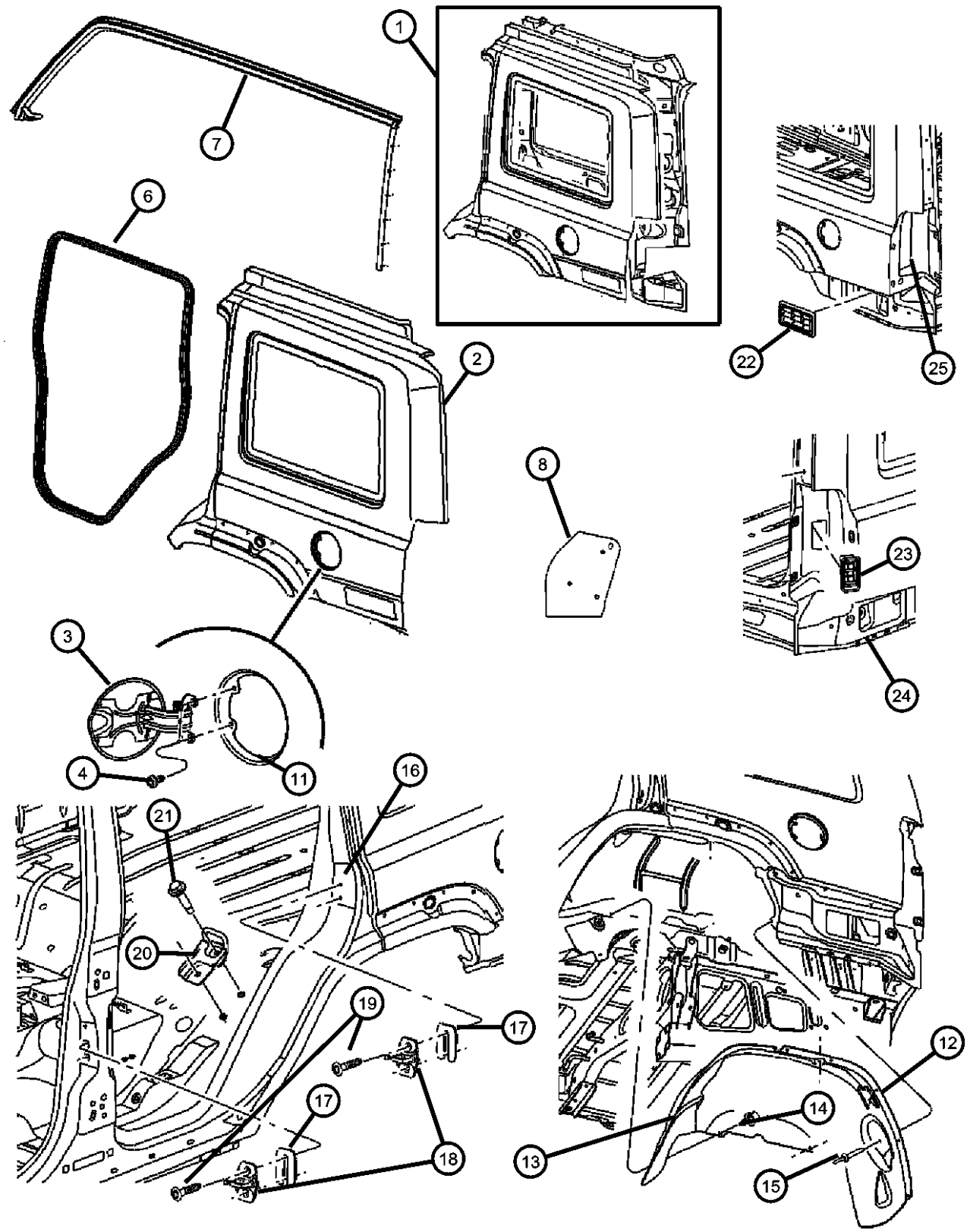
ENGINE
EKG = 3.7L V6 Engine
EVA = 4.7L V8 MPI Engine
EZB = 5.7L Hemi Multi Displacement Engine

TRANSMISSION
DGQ = 5-Spd Automatic 5-45RFE Transmission
DGJ = 5-Speed Automatic MB Transmission

AR = use ase required - = Non illustrated part

2006 XK

**Panels, Rear Quarter
Figure SXK-910**



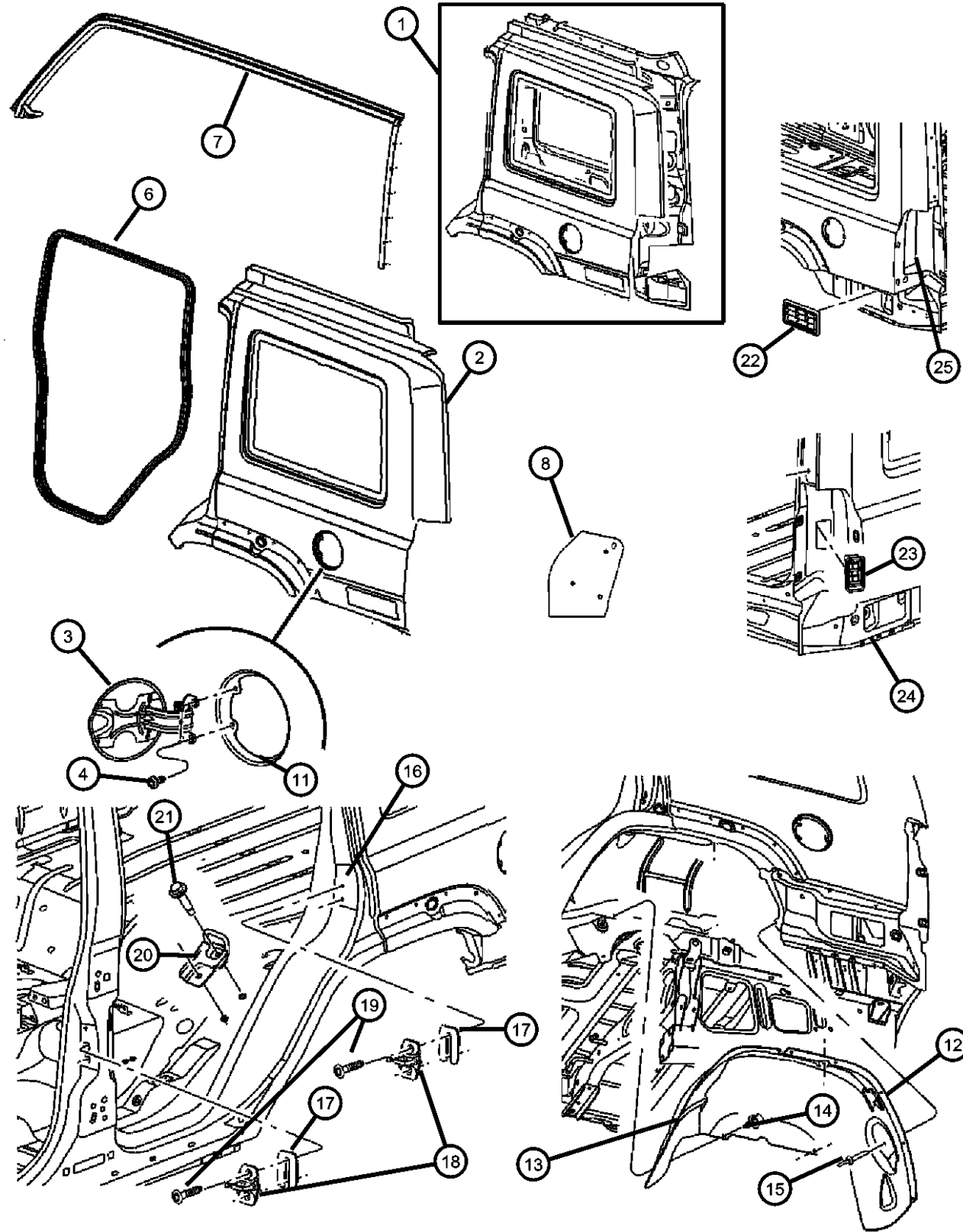
ITEM	PART NUMBER	QTY	LINE	SERIES	BODY	ENGINE	TRANS	TRIM	DESCRIPTION
1	05183164AA	1							PANEL, Body Side Aperture Rear, Complete Right
	05183165AA	1							Left
2	05183168AA	1							PANEL, Quarter, Outer Right
	05183169AA	1							Left
3	55369005AA	1							DOOR, Fuel Fill
4	06507847AA	2							BOLT
-5	52102405AA	2							BUMPER, Fuel Door
6	55396700AF	2							SEAL, Rear Door
7	55396716AC	1							SEAL, Body Side Right
	55396717AC	1							Left
8	55369060AA	1							REINFORCEMENT, Door Striker Right
	55369061AA	1							Left
-9	55396616AB	1							TROUGH, Liftgate Opening Right
	55396617AB	1							Left
-10	55396276AC	2	J, T		74				EXTENSION, Body Side Aperture
11	52090493AA	1							HOUSING, Fuel Filler
12	55396766AA	1							WHEELHOUSE, Rear Inner Right
	55396767AB	1							Left
13	55396466AB	1	J, T		74				SHIELD, Fender Right
	55396467AB	1	J, T		74				Left
14	34201621	4							RIVET, M6.3x37.40, Fender Shield Rivet
15	06500911	6							RIVET, M6.25x28, Fender Shield Rivet
16	04674669	2							PLATE, Striker
17	04520289	AR							SPACER, Door Latch Striker 3.75 Thick
	55075483	AR							2.0 to 2.5 Thick

NEW JEEP (XK)

SERIES	LINE	BODY	ENGINE	TRANSMISSION
H = HIGHLINE	T = JEEP - 2WD	74 = SPORT UTILITY 4-DR	EKG = 3.7L V6 Engine	DGQ = 5-Spd Automatic 5-45RFE
P = PREMIUM	J = JEEP - 4WD		EVA = 4.7L V8 MPI Engine	Transmission
			EZB = 5.7L Hemi Multi Displacement Engine	DGJ = 5-Speed Automatic MB Transmission

AR = use ase required - = Non illustrated part

**Panels, Rear Quarter
Figure SXX-910**



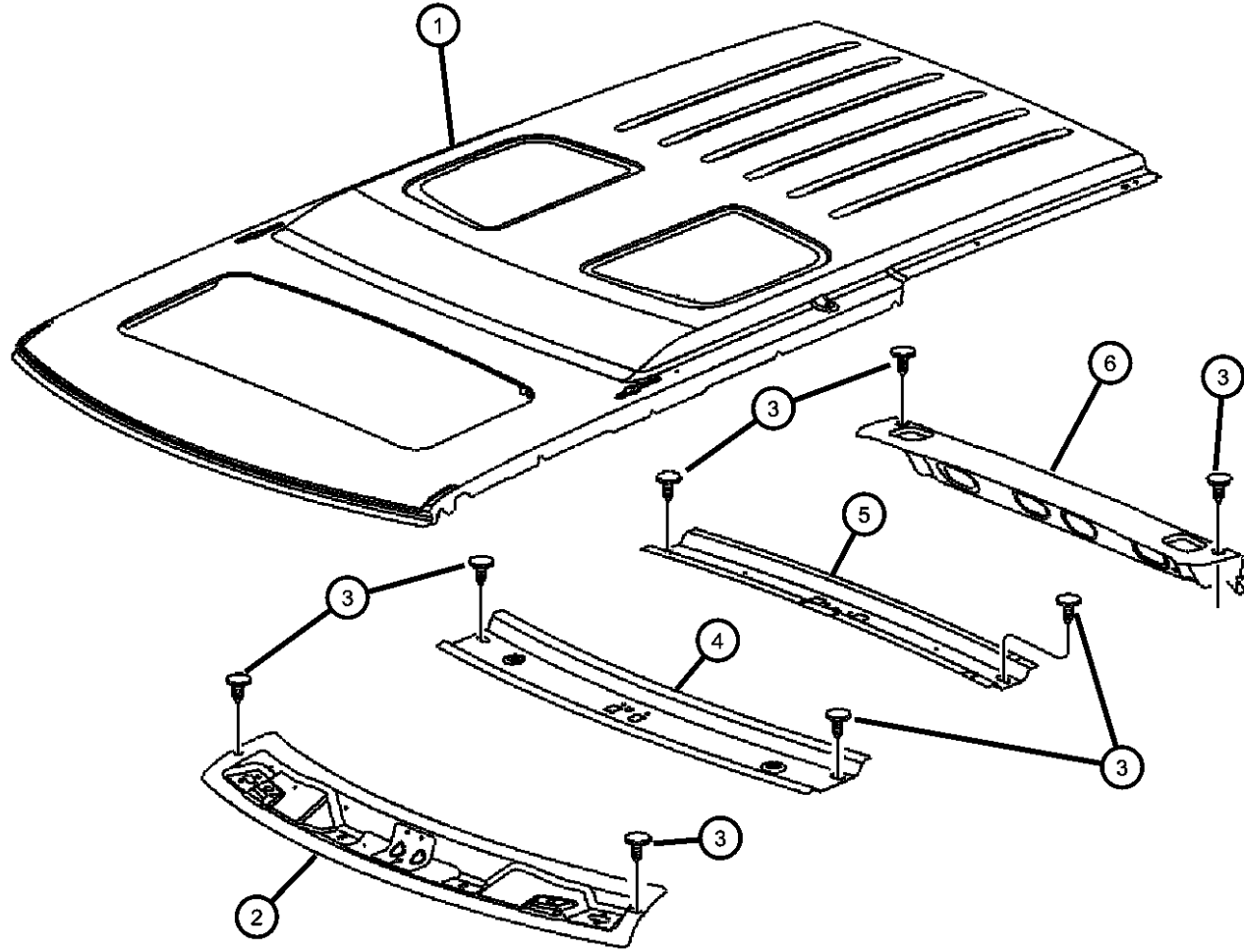
ITEM	PART NUMBER	QTY	LINE	SERIES	BODY	ENGINE	TRANS	TRIM	DESCRIPTION
18	04717779AB	2							STRIKER AND BUMPER, Door Latch
19	06506749AA	4							SCREW, 6 Lobed
20									STRIKER, Seat Back Latch
	55197159AB	1							Left
	55197158AB	1							Right
21	06508286AA	8							BOLT, Seat
22	55136280AC	1							EXHAUSTER, Quarter PanelRight
23	55394330AB	1							EXHAUSTER, Bodyside ApertureLeft
24									EXTENSION, D Pillar Lower
	55369018AA	1							Left
	55369019AA	1							Right
25									PANEL, Taillamp Mounting
	55396614AA	1		J, T	74				Right
	55396615AA	1		J, T	74				Left

NEW JEEP (XK)
 SERIES LINE BODY ENGINE TRANSMISSION
 H = HIGHLINE T = JEEP - 2WD 74 = SPORT UTILITY 4-DR EKG = 3.7L V6 Engine DGQ = 5-Spd Automatic 5-45RFE
 P = PREMIUM J = JEEP - 4WD EVA = 4.7L V8 MPI Engine Transmission
 EZB = 5.7L Hemi Multi DGJ = 5-Speed Automatic MB
 Displacement Engine Transmission

AR = use ase required - = Non illustrated part

Panels, Roof
Figure SXX-1110

ITEM	PART NUMBER	QTY	LINE	SERIES	BODY	ENGINE	TRANS	TRIM	DESCRIPTION
1	55396508AC	1							PANEL, Roof Without Sunroof
	55396509AD	1							With Sunroof
2	55369012AC	1							HEADER, Panel
3	06034608	2							PIN, Headline
4	55396512AD	1							BOW, Roof
5	55369013AE	1							BOW, Roof
6	05189409AA	1							HEADER, Panel



NEW JEEP (XK)

SERIES LINE
H = HIGHLINE T = JEEP - 2WD
P = PREMIUM J = JEEP - 4WD

BODY
74 = SPORT UTILITY 4-DR

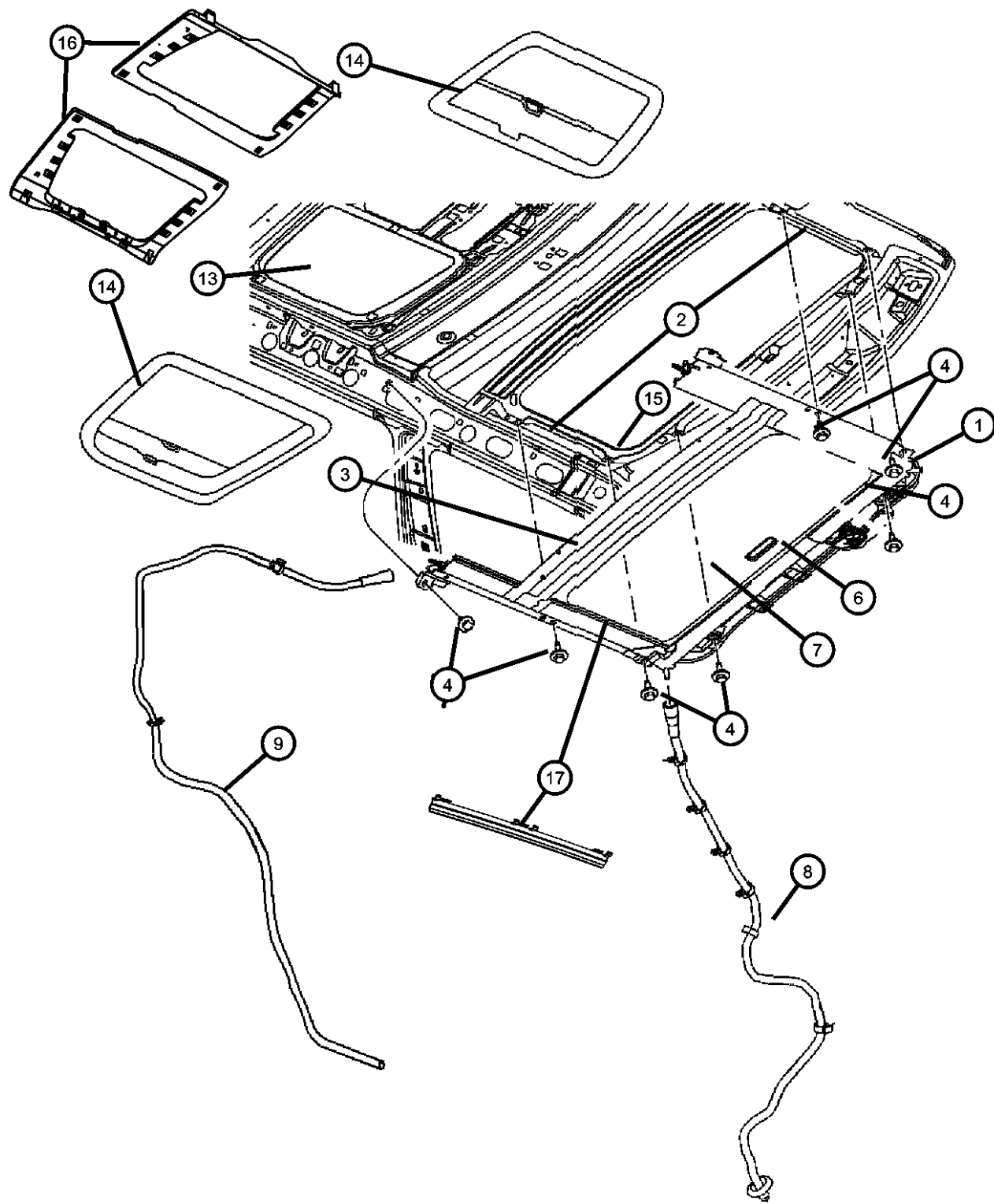
ENGINE
EKG = 3.7L V6 Engine
EVA = 4.7L V8 MPI Engine
EZB = 5.7L Hemi Multi
Displacement Engine

TRANSMISSION
DGQ = 5-Spd Automatic 5-45RFE
Transmission
DGJ = 5-Speed Automatic MB
Transmission

AR = use ase required - = Non illustrated part

2006 XK

**Sunroof
Figure SXX-1210**



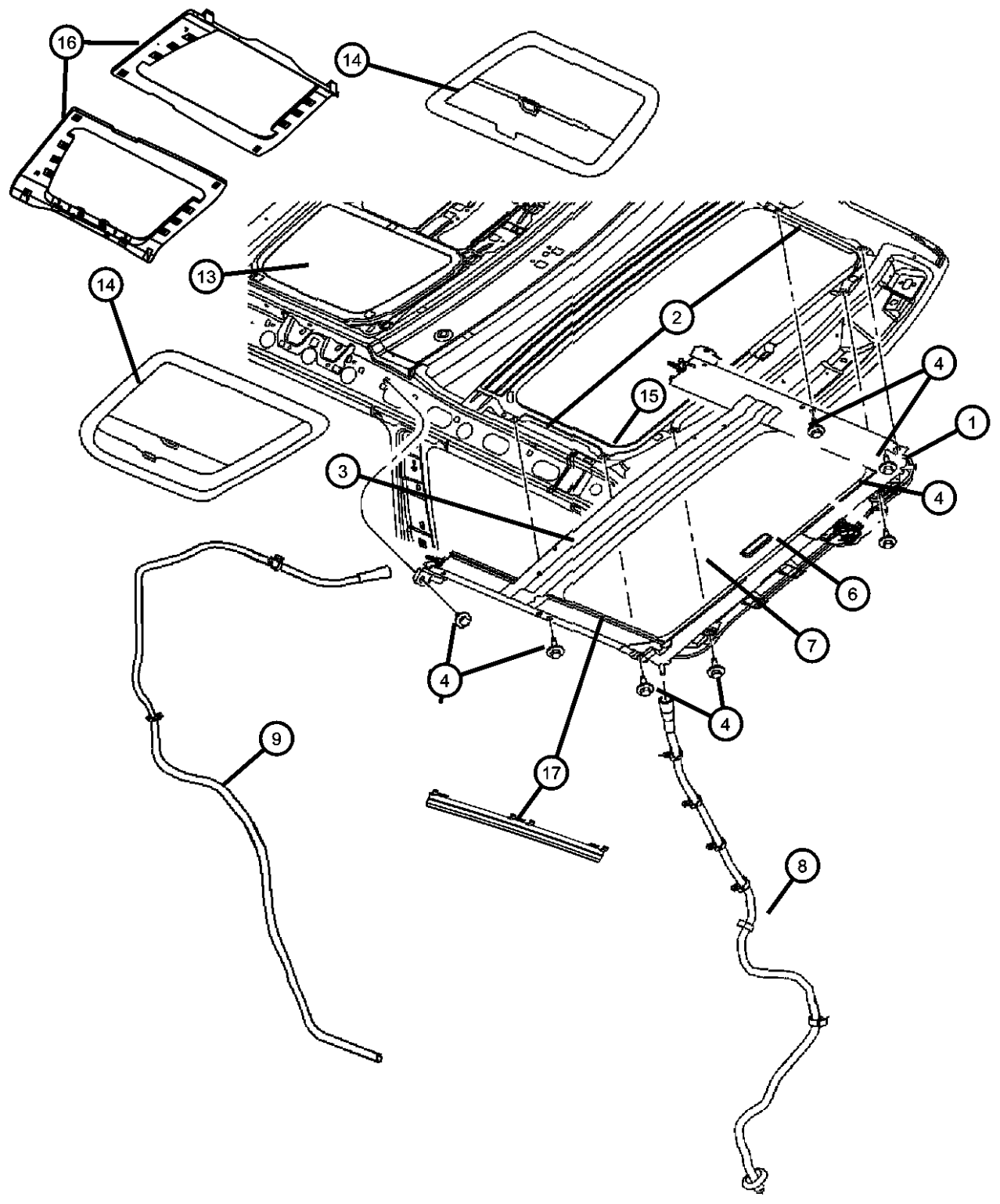
ITEM	PART NUMBER	QTY	LINE	SERIES	BODY	ENGINE	TRANS	TRIM	DESCRIPTION
1	05174216AB	1							FRAME, Sunroof Use Up To Build Date 10-10-2005
	68003813AA	1	J, T		74				Use After Build Date 10-10-2005
2	05139814AA	1							GUIDE, Sunroof Glass Right
	05139815AA	1							Left
3	05174215AA	1							CHANNEL, Sunroof Drain
4	06101455	8							SCREW AND WASHER, Hex Head, M6x1x20
-5	05174217AA	1							WIRING, Sunroof
6	05174217AA	1							SUNSHADE, Sunroof Use Up To Build Date 10-10-2005
	1CK26BD1AA	1							Use After Build Date 10-10-2005
	1FU00BD1AA	1	J, T		74				Use After Build Date 10-10-2005
7	05179186AB	1	J, T		74				GLASS, Sunroof
8	55396474AC	2							HOSE, Sunroof Drain
9	55396471AC	2							HOSE, Sunroof Drain
-10	05179187AA	1							SEAL, Sunroof
-11	05137557AB	1							MOTOR/MODULE, Sunroof
-12	05174220AA	1							COVER, Sunroof Mechanism, Accordion Style, Accordion Style. Two in a Pkg. One on each side of the sunroof
13	55369058AC	1							GLASS, Sunroof This Glass Is Encapsulated, Up to 1/3/06, Right
	55369058AD	1	J, T		74				After 1/3/06, Right
	55369059AC	1							This Glass Is Encapsulated, Up to 1/3/06, Left
	55369059AD	1	J, T		74				After 1/3/06, Left
14	1DD72BD1AA	1							SUNSHADE, Sunroof Used For All Trim Codes, Right
	1DD73BD1AA	1							Used For All Trim Codes, Left
15	1DD751D1AA	1							RING, Trim
16	05179414AA	1							RETAINER The attaching Clips and screws are serviced with the retainers only, Right
	05179415AA	1							The attaching Clips and screws are serviced with the retainers only, Left

NEW JEEP (XK)

SERIES	LINE	BODY	ENGINE	TRANSMISSION
H = HIGHLINE	T = JEEP - 2WD	74 = SPORT UTILITY 4-DR	EKG = 3.7L V6 Engine	DGQ = 5-Spd Automatic 5-45RFE
P = PREMIUM	J = JEEP - 4WD		EVA = 4.7L V8 MPI Engine	Transmission
			EZB = 5.7L Hemi Multi Displacement Engine	DGJ = 5-Speed Automatic MB Transmission

AR = use ase required - = Non illustrated part

**Sunroof
Figure SXX-1210**

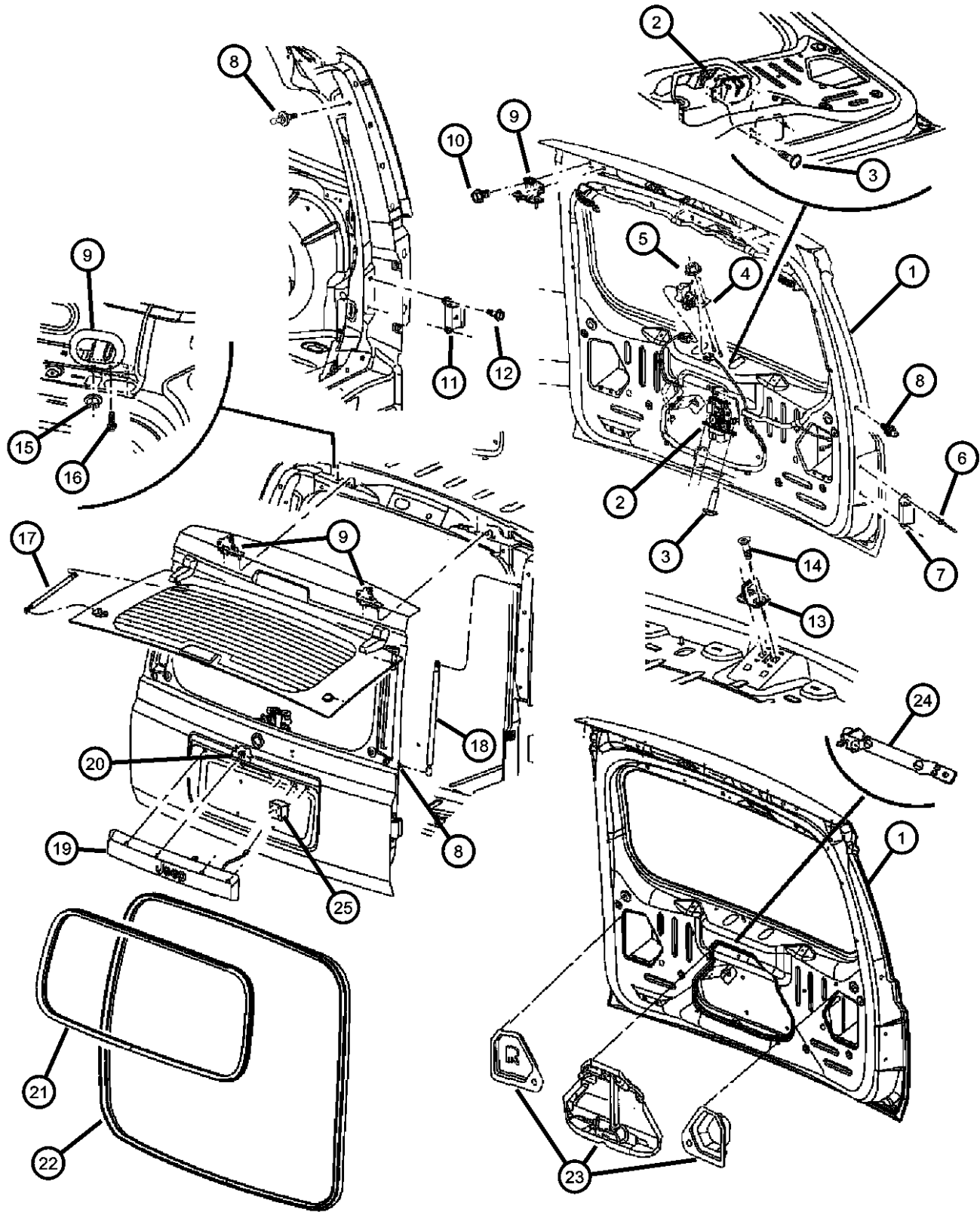


ITEM	PART NUMBER	QTY	LINE	SERIES	BODY	ENGINE	TRANS	TRIM	DESCRIPTION
17	05174607AA	2	J, T		74				SIDE BAFFLE, Sunroof Glass
-18	06508405AA	4	J, T		74				SCREW, Sunroof Glass to Adjustment Bracket

NEW JEEP (XK)				
SERIES	LINE	BODY	ENGINE	TRANSMISSION
H = HIGHLINE	T = JEEP - 2WD	74 = SPORT UTILITY 4-DR	EKG = 3.7L V6 Engine	DGQ = 5-Spd Automatic 5-45RFE Transmission
P = PREMIUM	J = JEEP - 4WD		EVA = 4.7L V8 MPI Engine	DGJ = 5-Speed Automatic MB Transmission
			EZB = 5.7L Hemi Multi Displacement Engine	

AR = use ase required - = Non illustrated part

Liftgate, Latch and Hinges
Figure SXX-1310



ITEM	PART NUMBER	QTY	LINE	SERIES	BODY	ENGINE	TRANS	TRIM	DESCRIPTION
1	55369000AD	1							PANEL, Liftgate
2	04589131AA	1							LATCH, Liftgate
3	06504212	3							SCREW, Large Round Washer Head Lock, M6x1.00x20.00
4	55396445AA	1							LATCH, Liftgate Glass
5	06503102	2							NUT AND WASHER, Hex Nut-Coned Washer, M6 x 1.00
6	06503102	2							RIVET, Blind, .250 x .660, (NOT SERVICED)
7	04860873AD	2							BUMPER, Liftgate
8	06507844AA	2							BALL STUD
9	55396529AA	2							HINGE, Liftgate
10	06502975	4							SCREW AND WASHER, Hex Head, M8x1.25x33
11	55396825AA	2							BUMPER, Rubber
12	06504324	4							SCREW AND WASHER, Hex Head
13	55364520AA	1							STRIKER, Liftgate
14	06503533	2							SCREW, Flange Head, M8x1.25x26
15	06101446	4							NUT AND WASHER
16	06506802AA	2							SCREW AND WASHER, Hex Head
17	55369333AB	2							GAS CYLINDER, Liftgate Glass
18	55396620AA	2							SUPPORT, Liftgate Opening
19									HANDLE, Liftgate
	1ED34AJCAA	1	J, T		74				[JC], With Sales Code [MNN]
	1ED34BJTAA	1	J, T		74				[JT], With Sales Code [MNN]
	1ED34DX8AA	1	J, T		74				[X8], With Sales Code [MNN]
	1ED34EGJAA	1	J, T		74				[GJ], With Sales Code [MNN]
	1FN64EDAAA	1	J, T		74				[DA], With Sales Code [MNN]
	55369028AD	1							Accent Color [MNS]
	55369087AE	1							Bright [MNP], Without [XAC] Parkview Rear Back-up Camera
	68003285AA	1	J, T		74				Bright [MNP], With [XAC] Parkview Rear Back-up Camera
	1ED34WS-BAA	1	J, T		74				[SB], With Sales Code [MNN]
20	06503856	2							NUT AND WASHER, Hex
21	55369015AD	1							WEATHERSTRIP, Liftgate Glass
22	55396676AD	1							WEATHERSTRIP, Liftgate
23	55396677AC	1							INSULATION, Liftgate

NEW JEEP (XK)

SERIES LINE
H = HIGHLINE T = JEEP - 2WD
P = PREMIUM J = JEEP - 4WD

BODY
74 = SPORT UTILITY 4-DR

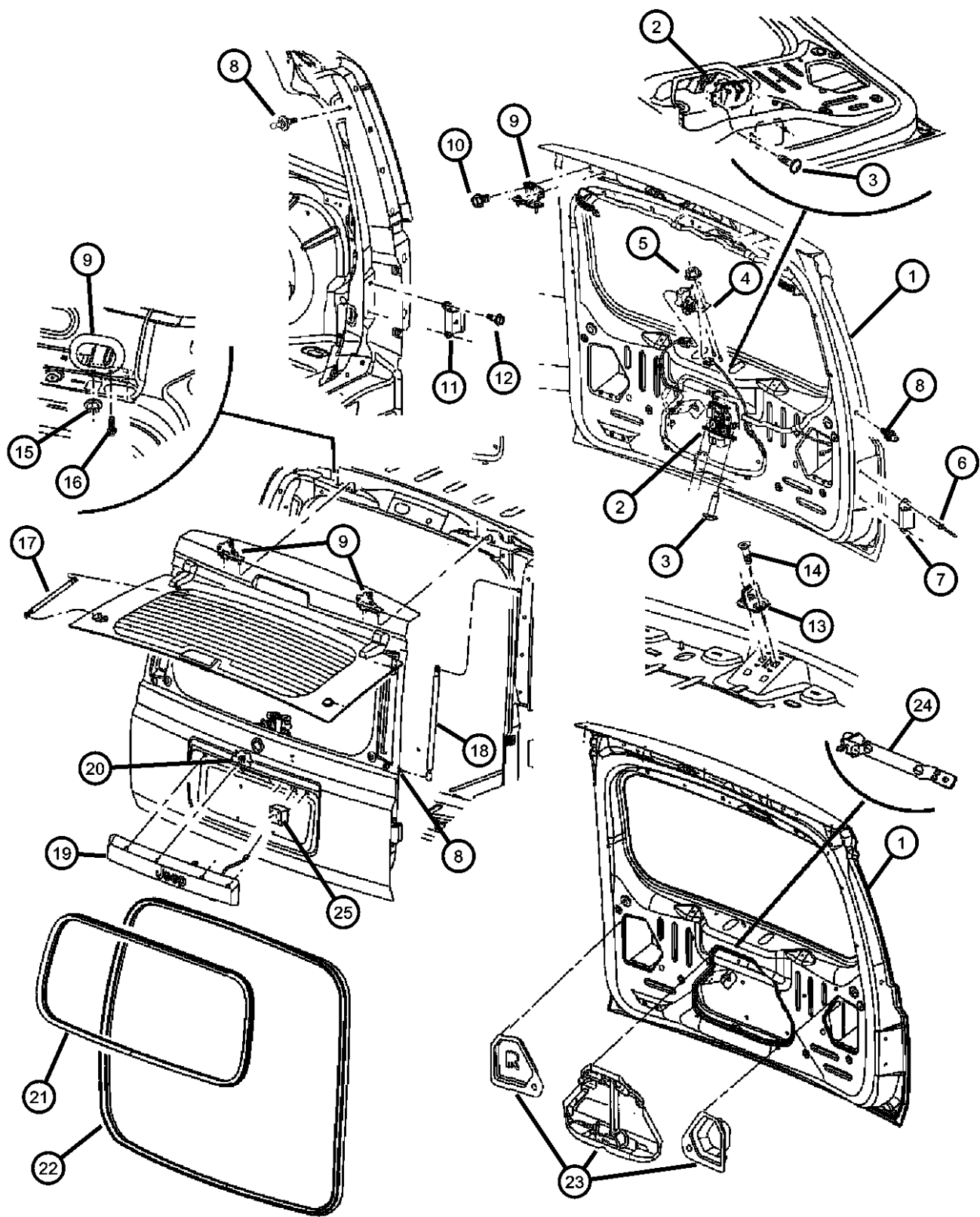
ENGINE
EKG = 3.7L V6 Engine
EVA = 4.7L V8 MPI Engine
EZB = 5.7L Hemi Multi Displacement Engine

TRANSMISSION
DGQ = 5-Spd Automatic 5-45RFE Transmission
DGJ = 5-Speed Automatic MB Transmission

AR = use ase required - = Non illustrated part

2006 XK

Liftgate, Latch and Hinges
Figure SXX-1310



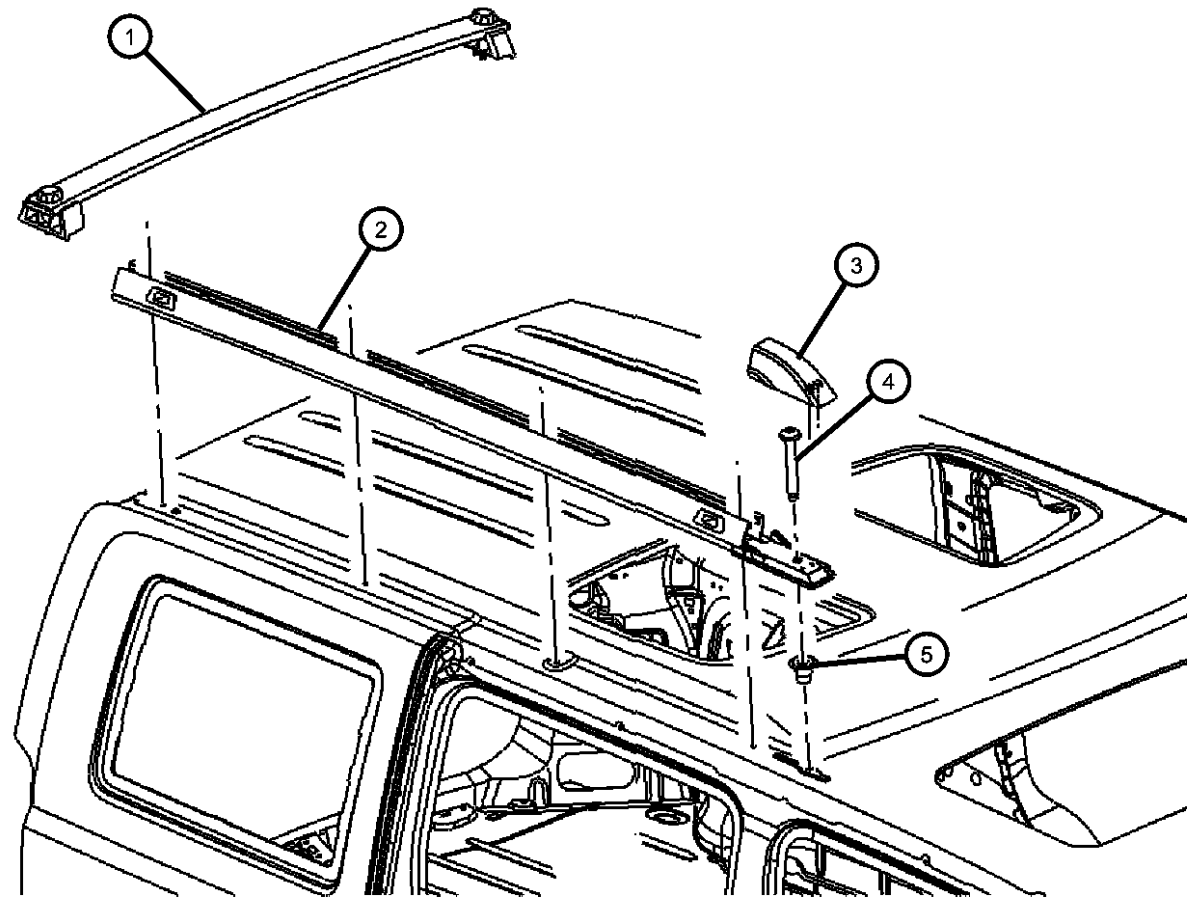
ITEM	PART NUMBER	QTY	LINE	SERIES	BODY	ENGINE	TRANS	TRIM	DESCRIPTION
------	-------------	-----	------	--------	------	--------	-------	------	-------------

24	55369206AA	1							BRACKET, Liftgate
25	04860786AB	4							NUT, Plastic Snap-in

NEW JEEP (XK)				
SERIES	LINE	BODY	ENGINE	TRANSMISSION
H = HIGHLINE	T = JEEP - 2WD	74 = SPORT UTILITY 4-DR	EKG = 3.7L V6 Engine	DGQ = 5-Spd Automatic 5-45RFE
P = PREMIUM	J = JEEP - 4WD		EVA = 4.7L V8 MPI Engine	Transmission
			EZB = 5.7L Hemi Multi	DGJ = 5-Speed Automatic MB
			Displacement Engine	Transmission

AR = use ase required - = Non illustrated part

**Roof Rack
Figure SXX-1610**



ITEM	PART NUMBER	QTY	LINE	SERIES	BODY	ENGINE	TRANS	TRIM	DESCRIPTION
1	55156988AA	1							RAIL, LUGG RACK CROSS Front
	55156989AA	1							Rear
2	55156984AD	1							RAIL, Roof With [MW1], Right
	55156985AD	1							With [MW1], Left
	55396646AD	1							With [MWE], Right
	55396647AD	1							With [MWE], Left
3	55396656AB	1							COVER, Luggage Rack Right
	55396657AB	1							Left
4	06508390AA	10							SCREW
5	06508202AA	10							RIVNUT, Installation

NEW JEEP (XK)

SERIES LINE
H = HIGHLINE T = JEEP - 2WD
P = PREMIUM J = JEEP - 4WD

BODY
74 = SPORT UTILITY 4-DR

ENGINE
EKG = 3.7L V6 Engine
EVA = 4.7L V8 MPI Engine
EZB = 5.7L Hemi Multi
Displacement Engine

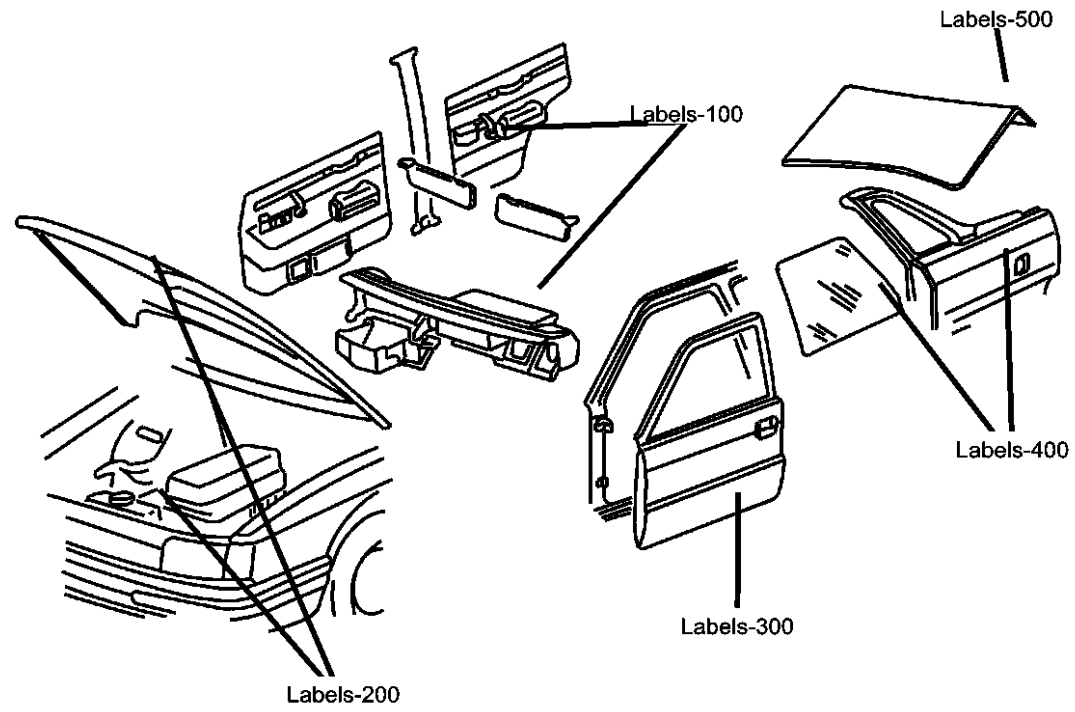
TRANSMISSION
DGQ = 5-Spd Automatic 5-45RFE
Transmission
DGJ = 5-Speed Automatic MB
Transmission

AR = use ase required - = Non illustrated part

2006 XK

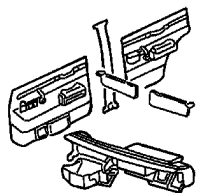
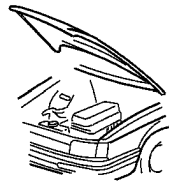


Group - LBLS

Labels All Vehicle Locations



Group - LBLS Labels All Vehicle Locations

Illustration Title	Group-Fig. No.
Interior	
Visors	Fig. LBLS - 110
Under Hood	
Engine Compartment	Fig. LBLS - 210
Belt - Routing	Fig. LBLS - 220
Doors	
Doors and Pillars	Fig. LBLS - 310
Rear Cargo & Storage	
Rear Cargo and Storage.....	Fig. LBLS - 510

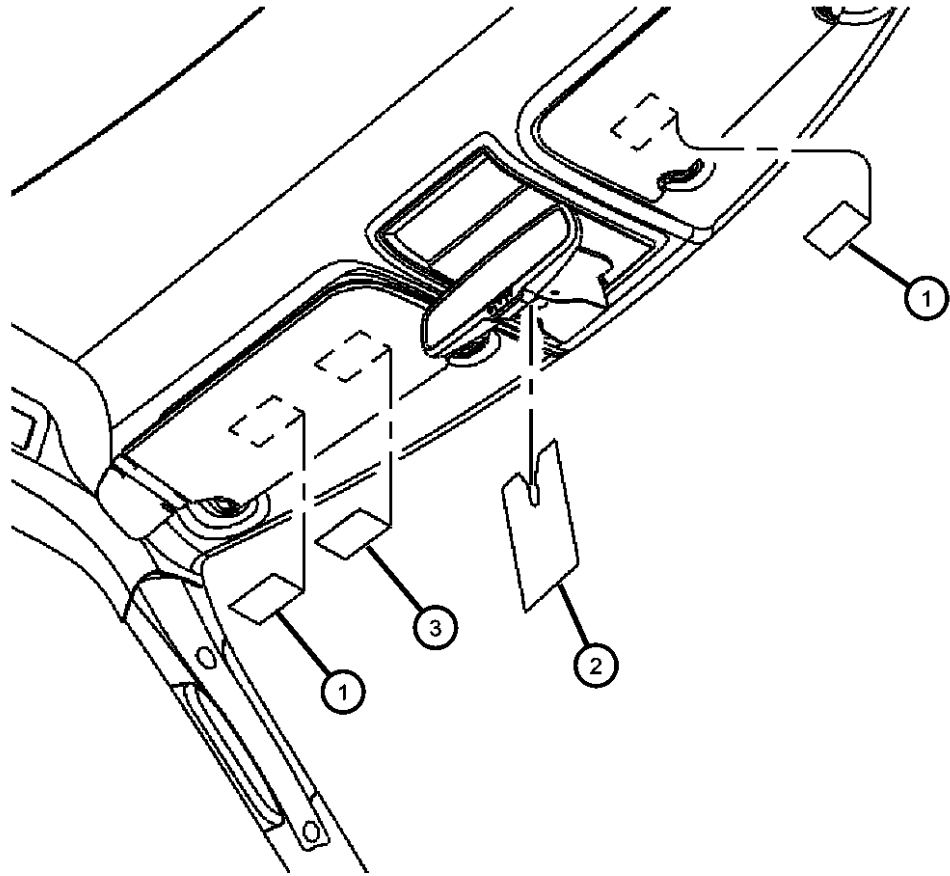
<p>LBLS-100 Interior</p> 	<p>LBLS-200 Under Hood</p> 	<p>LBLS-300 Doors</p> 	<p>LBLS-500 Rear Cargo & Storage</p> 
-------------------------------------------------------------------------------------------------------------------------	---------------------------------------------------------------------------------------------------------------------------	----------------------------------------------------------------------------------------------------------------------	-------------------------------------------------------------------------------------------------------------------------------------------

**Visors
Figure LBL5-110**

ITEM	PART NUMBER	QTY	LINE	SERIES	BODY	ENGINE	TRANS	TRIM	DESCRIPTION
------	-------------	-----	------	--------	------	--------	-------	------	-------------

NOTES: Sales Codes:
[CGS] = Supplemental Side Air Bags
[XLB] = Arabic Language

1									LABEL, Air Bag Warning English and French
	04664279AD	4							[CGS]
	04664280AD	4							[XLB+CGS]
	04664294AB	4							English and French
	05108000AA	2							LABEL, (NOT SERVICED),
2	05108000AA	2							LABEL, Warning, High Rollover Risk
3	55352825AA	1							



NEW JEEP (XK)

SERIES LINE
H = HIGHLINE T = JEEP - 2WD
P = PREMIUM J = JEEP - 4WD

BODY
74 = SPORT UTILITY 4-DR

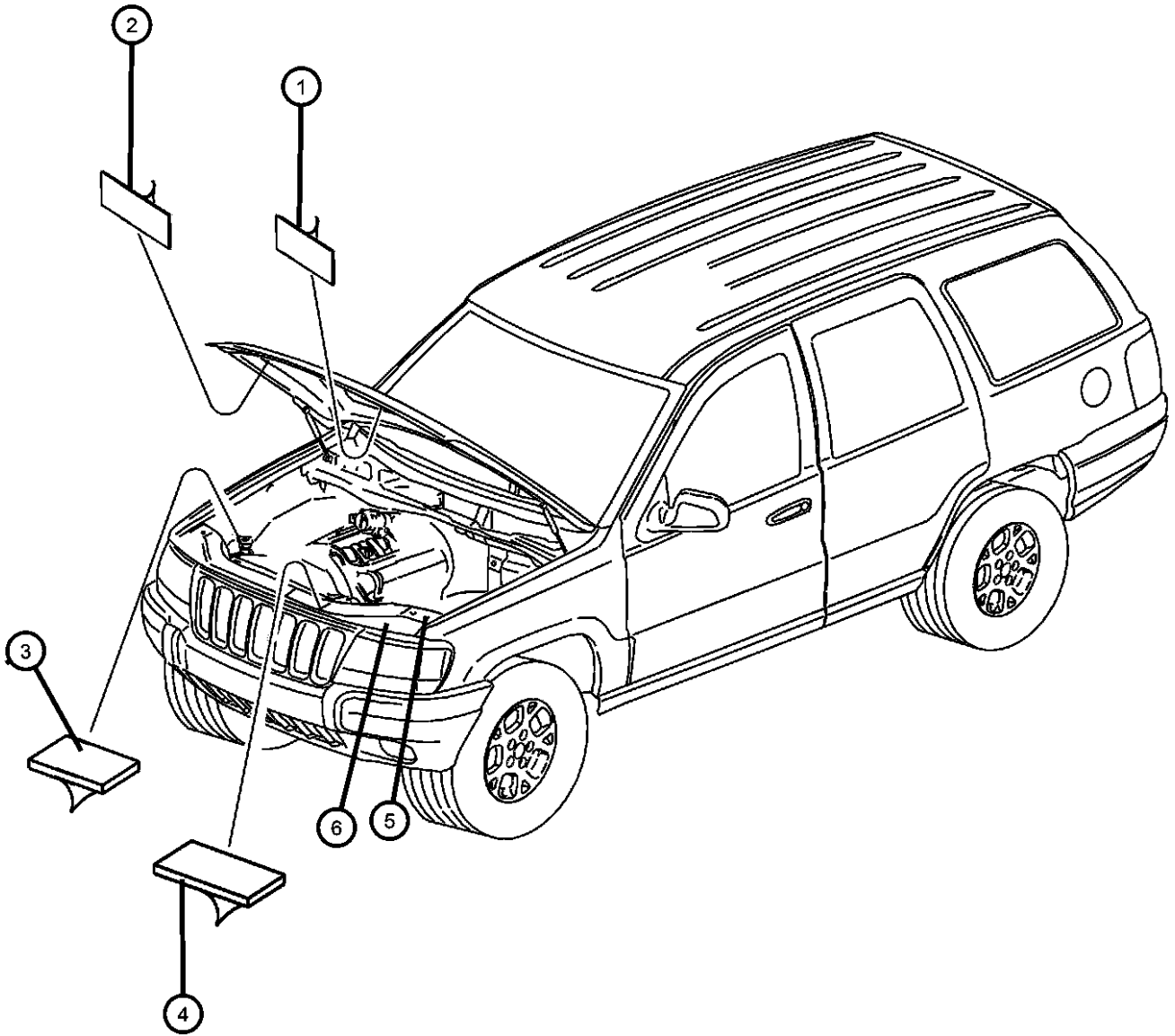
ENGINE
EKG = 3.7L V6 Engine
EVA = 4.7L V8 MPI Engine
EZB = 5.7L Hemi Multi
Displacement Engine

TRANSMISSION
DGQ = 5-Spd Automatic 5-45RFE
Transmission
DGJ = 5-Speed Automatic MB
Transmission

AR = use ase required - = Non illustrated part

2006 XK

**Engine Compartment
Figure LBL5-210**



ITEM	PART NUMBER	QTY	LINE	SERIES	BODY	ENGINE	TRANS	TRIM	DESCRIPTION
1	55056347AA	1							LABEL, Air Conditioning System, A/C REFRIGERANT CHARGE (ENGLISH & FRENCH)
2									LABEL, Emission
	05164301AA	1							
	05164302AA	1							SMEX
	52124385AA	1				EKG			
	52124387AA	1				EVA			
	52124389AA	1				EZB			
3	55116955AC	1				EZO			LABEL, A/C Spec.
4	55116955AC	1							LABEL, Fan Caution, SCP, (NOT SERVICED)
5									BATTERY
	05170018AA	1							Japan Battery Rogram - Wet
	05080706AA	1							Dry Battery International
6									LABEL, Power Steering Fluid
	52124056AA	1				EK0, EVO			
		1				EZO			

NEW JEEP (XK)

SERIES LINE
H = HIGHLINE T = JEEP - 2WD
P = PREMIUM J = JEEP - 4WD

BODY
74 = SPORT UTILITY 4-DR

ENGINE
EKG = 3.7L V6 Engine
EVA = 4.7L V8 MPI Engine
EZB = 5.7L Hemi Multi Displacement Engine

TRANSMISSION
DGQ = 5-Spd Automatic 5-45RFE Transmission
DGJ = 5-Speed Automatic MB Transmission

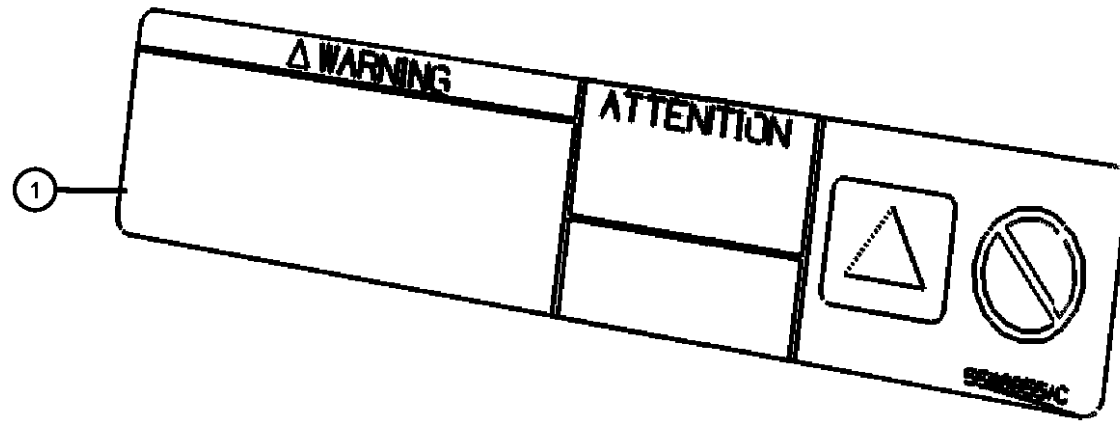
AR = use ase required - = Non illustrated part

**Belt - Routing
Figure LBL5-220**

ITEM	PART NUMBER	QTY	LINE	SERIES	BODY	ENGINE	TRANS	TRIM	DESCRIPTION
------	-------------	-----	------	--------	------	--------	-------	------	-------------

NOTES: Sales Codes:
[NMH] = Hydraulic Engine Cooling

1	55116955AB	1				EK0, EVO			LABEL, Belt Routing
		1				EZO			[NMH]



NEW JEEP (XK)

SERIES	LINE
H = HIGHLINE	T = JEEP - 2WD
P = PREMIUM	J = JEEP - 4WD

BODY
74 = SPORT UTILITY 4-DR

ENGINE
EKG = 3.7L V6 Engine
EVA = 4.7L V8 MPI Engine
EZB = 5.7L Hemi Multi Displacement Engine

TRANSMISSION
DGQ = 5-Spd Automatic 5-45RFE Transmission
DGJ = 5-Speed Automatic MB Transmission

AR = use ase required - = Non illustrated part

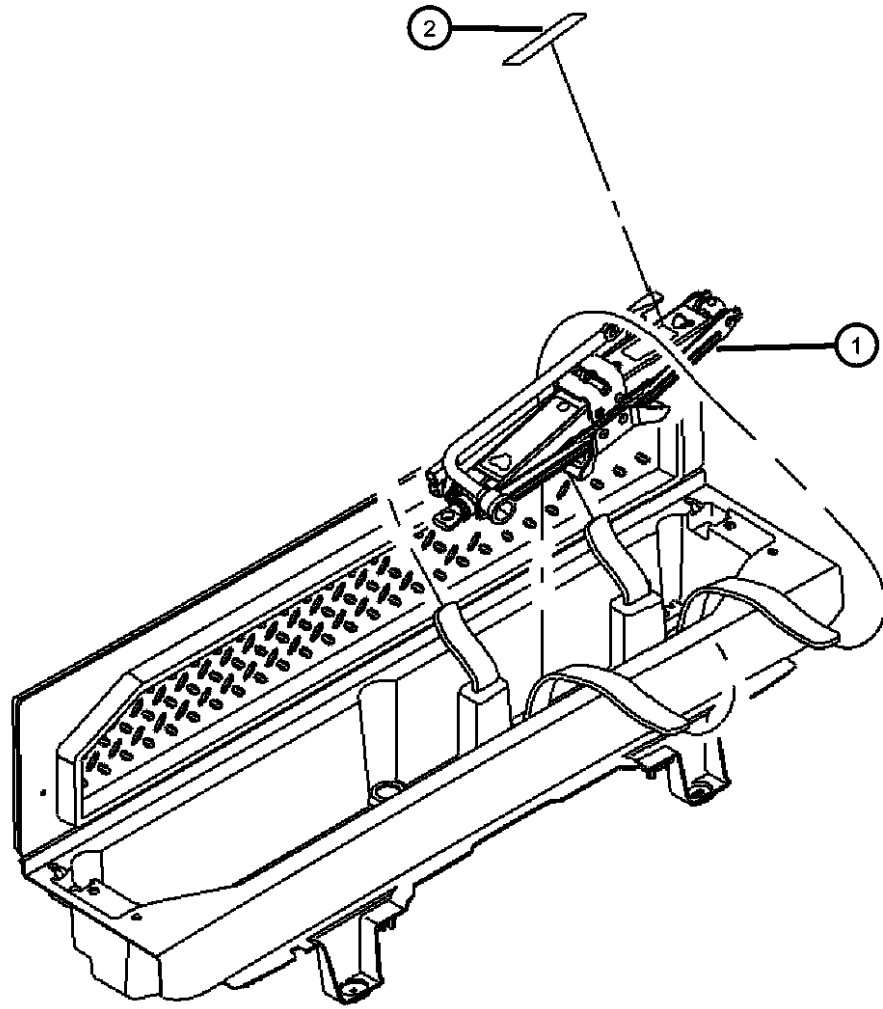
2006 XK

**Rear Cargo and Storage
Figure LBL5-510**

ITEM	PART NUMBER	QTY	LINE	SERIES	BODY	ENGINE	TRANS	TRIM	DESCRIPTION
------	-------------	-----	------	--------	------	--------	-------	------	-------------

NOTE: Jack includes: Storage Bag, 2 Extensions, Driver, and Wrench
 NOTES: Sales Codes:
 [CKN] = Cargo Compartment Carpet
 [HBB] = Rear Air Conditioning with Heater
 [XLR] = French/Canadian Language

1	52124168AA	1							JACK
	55366626AA	1							Contains Tool Kit [CKN+HBB]
2	52110391AB	1							Jack Only [CKN+HBB]
	52110392AB	1							LABEL, Jack Caution [CKN+HBB] [XLR]



NEW JEEP (XK)

SERIES	LINE	BODY	ENGINE	TRANSMISSION
H = HIGHLINE	T = JEEP - 2WD	74 = SPORT UTILITY 4-DR	EKG = 3.7L V6 Engine	DGQ = 5-Spd Automatic 5-45RFE
P = PREMIUM	J = JEEP - 4WD		EVA = 4.7L V8 MPI Engine	Transmission
			EZB = 5.7L Hemi Multi Displacement Engine	DGJ = 5-Speed Automatic MB Transmission

AR = use ase required - = Non illustrated part

2006 XK